

ASCO™ Biodiesel Oil Shutoff Valves

Brass or Stainless Steel Bodies | Direct Acting | Normally Closed | 1/8" to 3/8" NPT

2/2
SERIES
262
263

Features

- 2-way normally closed operation
- For control of commercial and industrial oil burners
- For B20 Alternative Fuel, 20% biodiesel and 80% conventional diesel oil
- Direct lift with resilient soft seating for tight shutoff
- Brass and stainless steel constructions
- Mountable in any position

Fluid

No. 2 & B20 (Up to 20% Biodiesel) Fuel Oil at 60 SSU

No. 4 Fuel Oil at 300 SSU

Construction

Valve Parts in Contact with Fluids		
Body	Brass	303/304 Stainless Steel
Seals and Disc	FKM	
Core Tube	305 Stainless Steel	
Core and Plugnut	430F Stainless Steel	
Springs	302 Stainless Steel	
Shading Coil	Copper	Silver

Electrical

Standard Coil and Class of Insulation	Watt Rating and Power Consumption			Ambient Temp. °F	Spare Coil Family	
	AC				General Purpose	Explosion Proof
	Watts	VA Holding	VA Inrush		AC	AC
F	6.1	16	30	5 to 131	238210	238214
H	6.1	16	30	5 to 140	238410	238414
F	9.1	25	40	5 to 131	238210	238214
H	9.1	25	40	5 to 140	238410	-
F	10.1	25	50	5 to 131	238610	238614
H	10.1	25	50	5 to 140	238810	-
F	17.1	40	70	5 to 131	238610	238614
H	17.1	40	70	5 to 140	238810	238814

Standard Voltages: 24, 120, 240 volts AC, 60 Hz (or 110, 220 volts AC, 50 Hz).

Optional High Ambient Temp: 140 °F Class H coil with prefix HT.

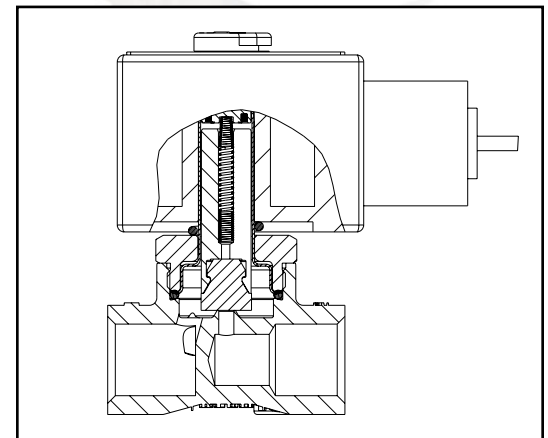
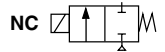
125 °F with explosion proof, prefix EF

Solenoid Enclosures

Standard: Watertight, Types 1, 2, 3, 3S, 4, and 4X with 1/2" conduit hub.

Optional: RedHat II - Explosion proof and Watertight. To order, add Prefix "EF" to catalog numbers. (e.g. EF8262G011V1V)

For UL 428B biodiesel standard use Suffix "V1V" to order



Options

Mounting bracket (suffix MB)

Panel mount (prefix GP for conduit; consult ASCO for other electrical connections)

Approvals

UL listed to:

- Standard 429 "Electrically Operated Valves." Guide YIOZ, File MP618 Safety Shutoff Valves.
- Standard 428B, "Electrically Operated Valves For Diesel Fuel, Biodiesel Fuel, Diesel/Biodiesel Blends With Nominal Biodiesel Concentrations Up To 20 Percent (B20), Kerosene, and Fuel Oil"
- Additional for Prefix "EF": Standard 1203 "Electrically Operated Valves for Hazardous Locations." Guide YTSX, File E25549.

CSA Certified to:

- Standard C22.2 No. 139 "Electrically Operated Valves," File 010381 Safety Shutoff Valves.
- Additional for Prefix "EF": Standard C22.2 No. 30 and 25 "Electrically Operated Valves for Hazardous Locations", File 13976.

Specifications (English units)

Pipe Size (in)	Orifice Size (in)	Cv Flow Factor	Operating Pressure Differential (psi)			Catalog Number		Const. Ref.	Agency		Wattage	Approx. Shipping Weight (lbs)
			Min.	Max.		Brass	Stainless Steel		UL	CSA		
				#2 & B20 Fuel Oil at 60 SSU	#4 Fuel Oil at 300 SSU							
COMBUSTION (Fuel Oil) - NORMALLY CLOSED												
1/8	3/64	0.06	0	750	725	8262H001V1V	8262H012V1V	1	○	○	6.1	2.3
1/8	3/32	0.21	0	350	325	8262H011V1V	8262H017V1V	1	○	○	9.1	2.3
1/8	1/8	0.35	0	180	120	8262H002V1V	8262H006V1V	1	○	○	6.1	2.3
1/4	3/32	0.21	0	350	270	8262H021V1V	8262H088V1V	2	○	○	9.1	2.4
1/4	1/8	0.35	0	230	150	8262H023V1V	8262H127V1V	2	○	○	9.1	2.4
1/4	7/32	0.73	0	100	100	8262H208V1V	8262H226V1V	3	○	○	10.1	2.4
3/8	1/8	0.35	0	230	140	8263H003V1V	8263H004V1V	4	○	○	9.1	2.5
3/8	7/32	0.73	0	100	100	8263H206V1V	8263H332V1V	5	○	○	17.1	2.5

○ = Safety Shutoff Valve.

Specifications (Metric units)

Pipe Size (in)	Orifice Size (mm)	Kv Flow (m3/hr)	Operating Pressure Differential (bar)			Catalog Number		Const. Ref.	Agency		Wattage	Approx. Shipping Weight (Kg)
			Min.	Max.		Brass	Stainless Steel		UL	CSA		
				#2 & B20 Fuel Oil at 60 SSU	#4 Fuel Oil at 300 SSU							
COMBUSTION (Fuel Oil) - NORMALLY CLOSED												
1/8	1.2	0.05	0	52	50	8262H001V1V	8262H012V1V	1	○	○	6.1	1.0
1/8	2.4	0.18	0	24	22	8262H011V1V	8262H017V1V	1	○	○	9.1	1.0
1/8	3.1	0.30	0	12	8	8262H002V1V	8262H006V1V	1	○	○	6.1	1.0
1/4	2.4	0.50	0	24	19	8262H021V1V	8262H088V1V	2	○	○	9.1	1.1
1/4	3.2	0.30	0	16	10	8262H023V1V	8262H127V1V	2	○	○	9.1	1.1
1/4	5.5	0.63	0	7	7	8262H208V1V	8262H226V1V	3	○	○	10.1	1.1
3/8	3.1	0.30	0	16	10	8263H003V1V	8263H004V1V	4	○	○	9.1	1.1
3/8	5.5	0.63	0	7	7	8263H206V1V	8263H332V1V	5	○	○	17.1	1.1

○ = Safety Shutoff Valve.

Capabilities Chart

Solenoid Options			Base Catalog Number		Standard Rebuild Kit	
NEMA Type 3-9	High Temp.	Wiring Box Screw Terminal	Brass	Stainless Steel	Brass	Stainless Steel
EF	HT	JKF	8262H001V1V	8262H012V1V	323581-V1V	323583-V1V
EF	HB	JKP	8262H011V1V	8262H017V1V	323581-V1V	323583-V1V
EF	HT	JKF	8262H002V1V	8262H006V1V	323581-V1V	323583-V1V
EF	HB	JKP	8262H021V1V	8262H088V1V	323581-V1V	323583-V1V
EF	HB	JKP	8262H023V1V	8262H127V1V	323581-V1V	323583-V1V
EF	HT	JKF	8262H208V1V	8262H226V1V	323593-V1V	323595-V1V
EF	HB	JKP	8263H003V1V	8263H004V1V	323581-V1V	323583-V1V
EF	HB	JKP	8263H206V1V	8263H332V1V	323593-V1V	323595-V1V

ASCO™ Biodiesel Oil Shutoff Valves

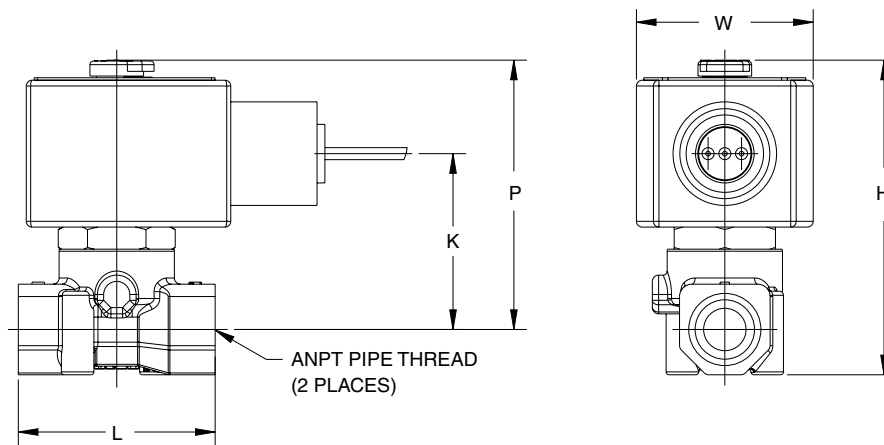
Brass or Stainless Steel Bodies | Direct Acting | Normally Closed | 1/8" to 3/8" NPT

2/2
SERIES
262
263

Dimensions inches (mm)

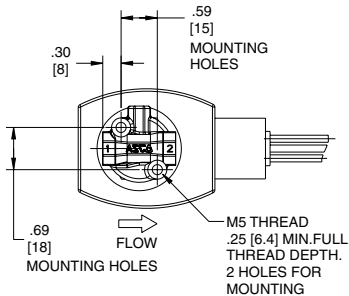
Const. Ref.		H	K	L	P	W
1	in	2.85	1.60	1.19	2.50	1.69
	mm	72	41	30	63	43
2	in	2.96	1.72	1.56	2.60	1.69
	mm	75	44	40	66	43
3	in	3.12	1.79	1.56	2.76	1.95
	mm	79	45	40	70	50
4	in	3.01	1.68	1.88	2.57	1.69
	mm	76	43	48	65	43
5	in	3.20	1.79	1.88	2.77	1.95
	mm	81	45	48	70	50

Const. Ref. 1-5

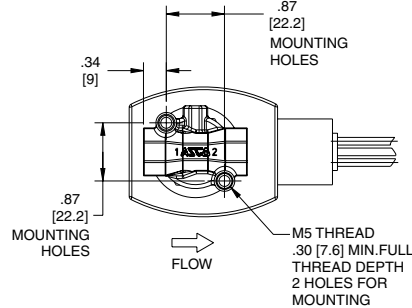


Mounting Dimensions

Const. Ref. 1
(1/8" Pipe)



Const. Ref. 2, 3
(1/4" Pipe)



Const. Ref. 4, 5
(3/8" Pipe)

