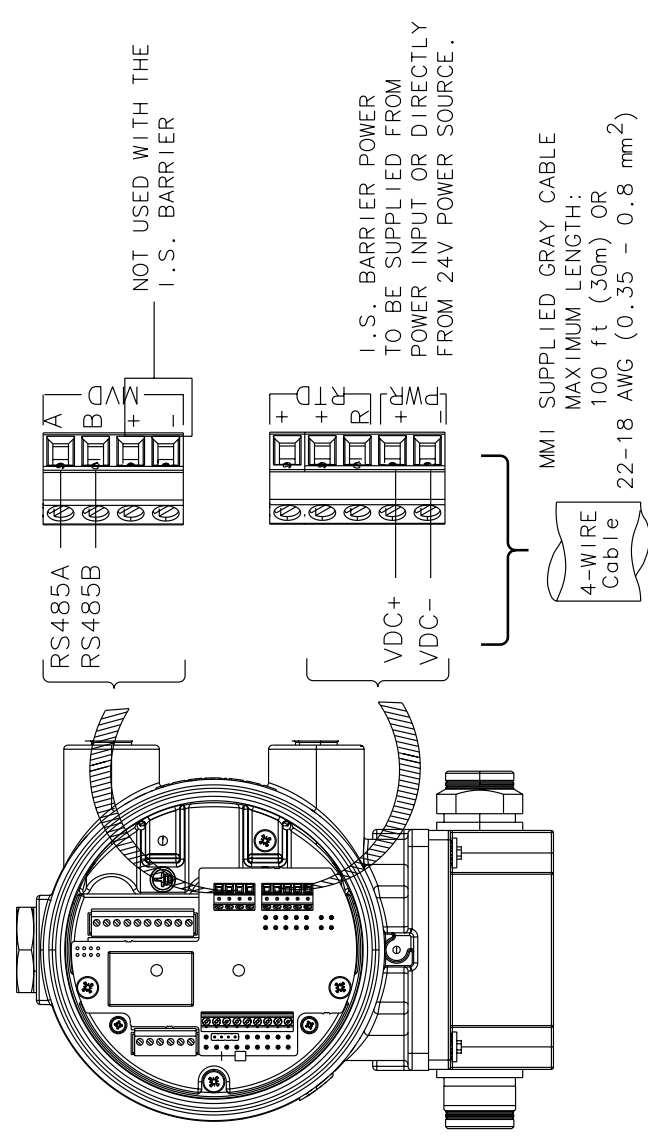


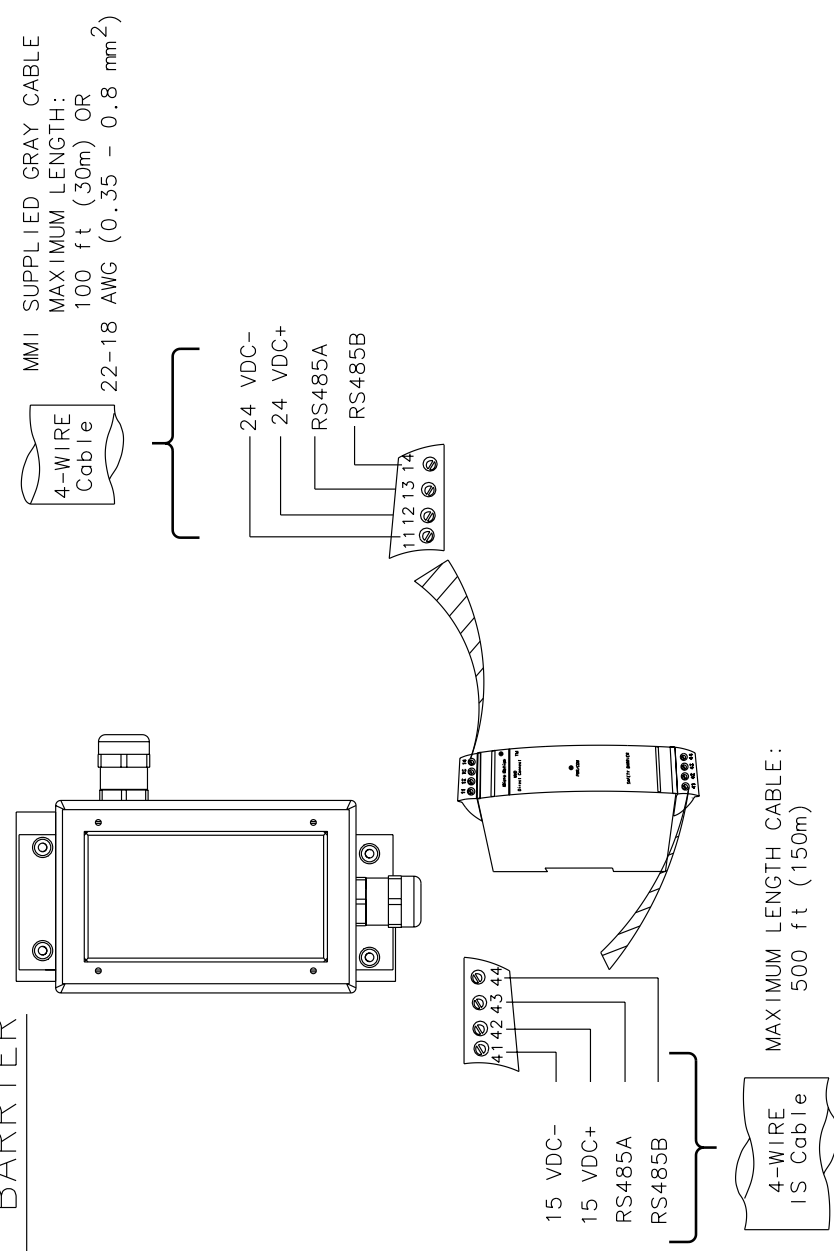
MODEL 3711

Class 1, Div 2 Groups A,B,C,D

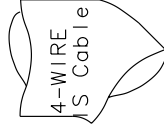


MVD DIRECT CONNECT I.S. BARRIER

Class 1, Div 2 Groups A,B,C,D

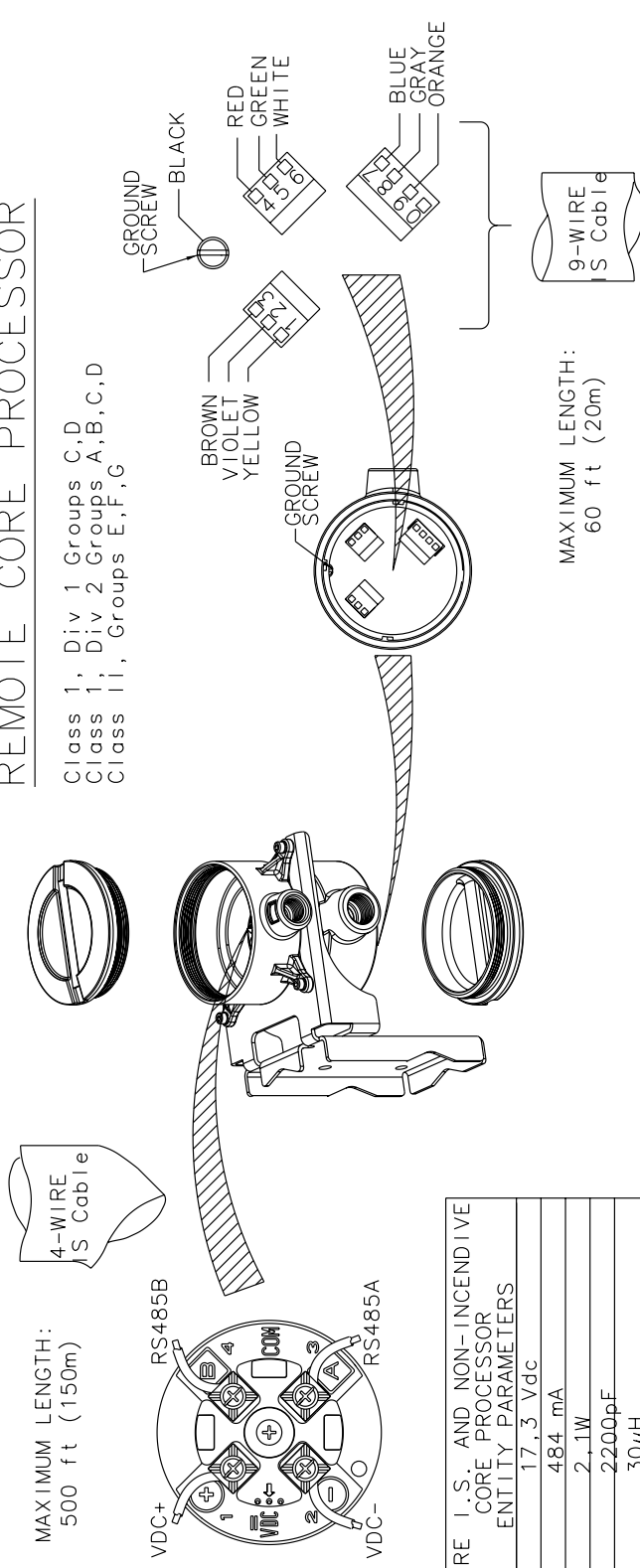


MAXIMUM LENGTH:
500 ft (150m)



REMOTE CORE PROCESSOR

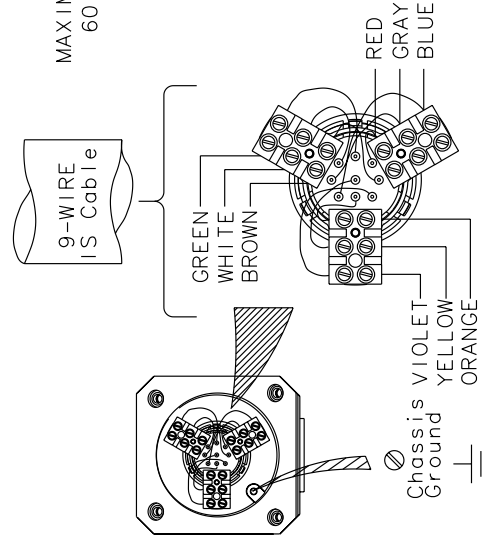
Class 1, Div 1 Groups C,D
Class 1, Div 2 Groups A,B,C,D
Class II, Groups E,F,G



4-WIRE I.S. AND NON-INCENDIVE CORE PROCESSOR ENTITY PARAMETERS	
U _i	17.3 Vdc
I _i	484 mA
P _i	2.1W
C _i	2200pF
L _i	30μH

SENSOR JUNCTION BOX

Class 1, Div 1 Groups C,D
Class 1, Div 2 Groups A,B,C,D
Class II, Groups E,F,G



MAXIMUM LENGTH:
60 ft (20m)

MODEL

CMF	F	R	H
(EXCEPT CMF 300A & CMF 400BA)			