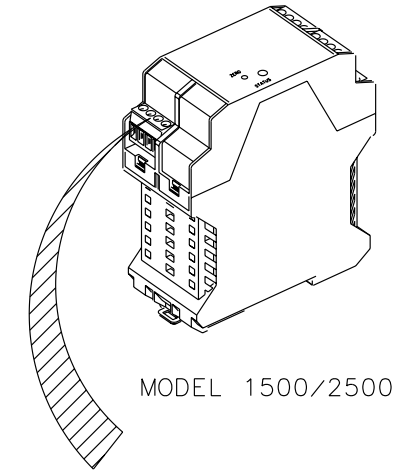


REVISIONS						
REV	ECN	DESCRIPTION OF CHANGE	DRAWN	CHKD	APVD	DATE

GENERAL NOTES (UNLESS OTHERWISE SPECIFIED)

### Transmitter:

1500B  
2500B



MODEL 1500/2500

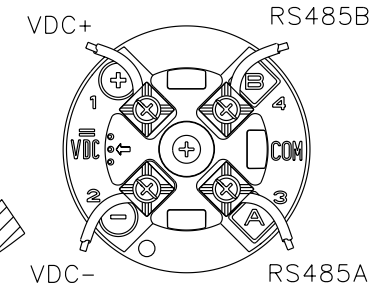
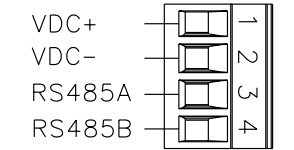
### Sensor Terminals:

#### Sensor Types:

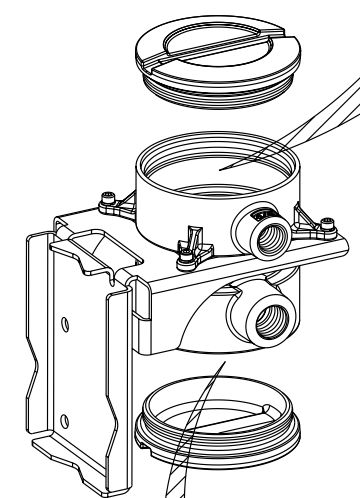
- CMF010
- CMF025
- CMF050
- CMF100
- CMF200
- CMF300 (excluding CMF300A)
- CMF400
- T075    F025    H025
- T100    F050    H050
- T150    F100    H100
- F200    H200
- F300    H300

4-WIRE IS Cable  
1000 ft [300 m]  
(maximum cable length)

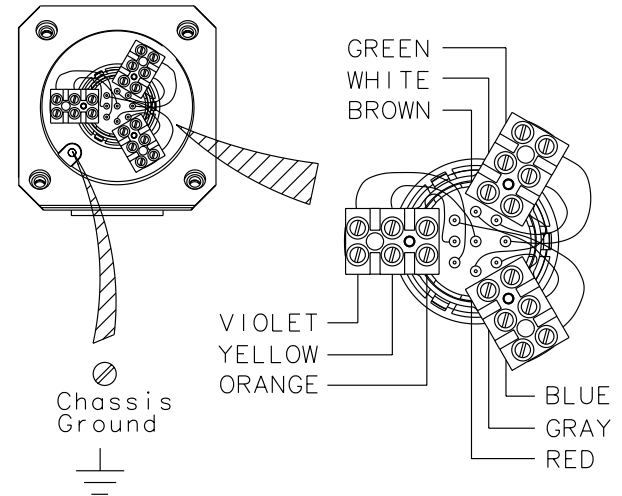
CUSTOMER SUPPLIED CABLE  
MAXIMUM LENGTH:  
1000 ft (300m) OF 18 AWG(0.8 mm<sup>2</sup>)  
300 ft (100m) OF 22 AWG(0.35 mm<sup>2</sup>)



9-WIRE Remote Core Processor  
(supplied with transmitter)

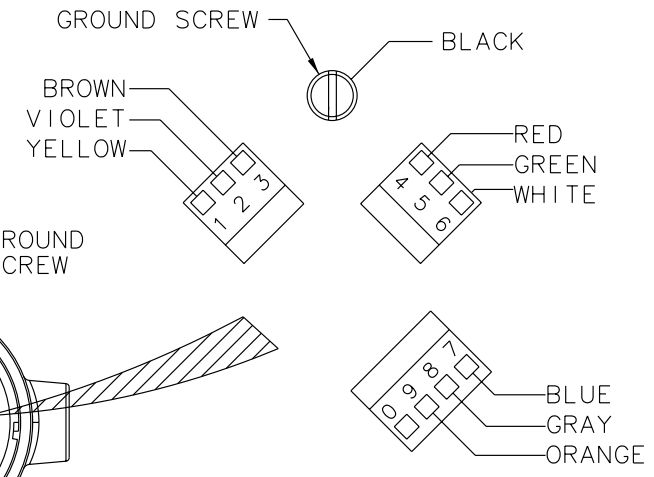


### Sensor Junction Box



9-WIRE IS Cable  
60 ft [18 m]  
(maximum cable length)

NOTE:  
Prepare IS Cable per the  
instructions provided with  
the cable.



ITEM	DESCRIPTION	PART OR REF. NO.	MATL. OR MFR.	QTY.
		<b>MICRO MOTION, INC.</b> BOULDER, COLORADO		
		WIRING, JBOX TO 1500B/2500B		
NAME	DATE	SIZE	DWG. NO.	REV.
DRAWN LLR	6/2/03	D	EW-20001184	D
CHKD. JLA	6/3/03	SCALE NONE	DO NOT SCALE DRAWING	SHEET 1 OF 1
APVD. JLA	6/3/03			

COPYRIGHT 2005 MICRO MOTION, INC.  
ALL RIGHTS RESERVED