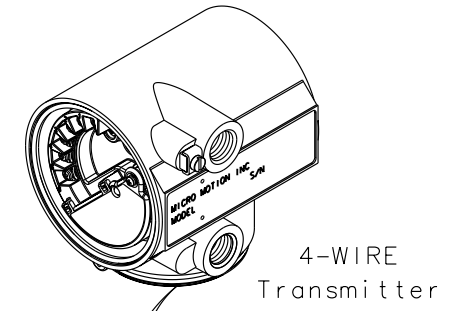


REVISIONS						
REV	ECN	DESCRIPTION OF CHANGE	DRAWN	CHKD	APVD	DATE

GENERAL NOTES (UNLESS OTHERWISE SPECIFIED)

Transmitters:

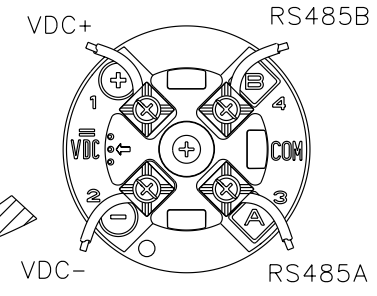
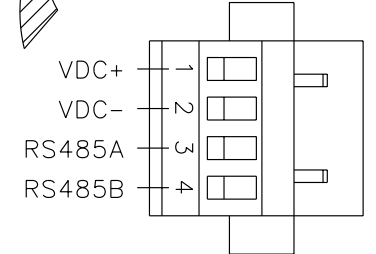
1700B
2700B



4-WIRE Transmitter

4-WIRE IS Cable
1000 ft [300 m]
(maximum cable length)

CUSTOMER SUPPLIED CABLE
MAXIMUM LENGTH:
1000 ft (300m) OF 18 AWG(0.8 mm²)
300 ft (100m) OF 22 AWG(0.35 mm²)

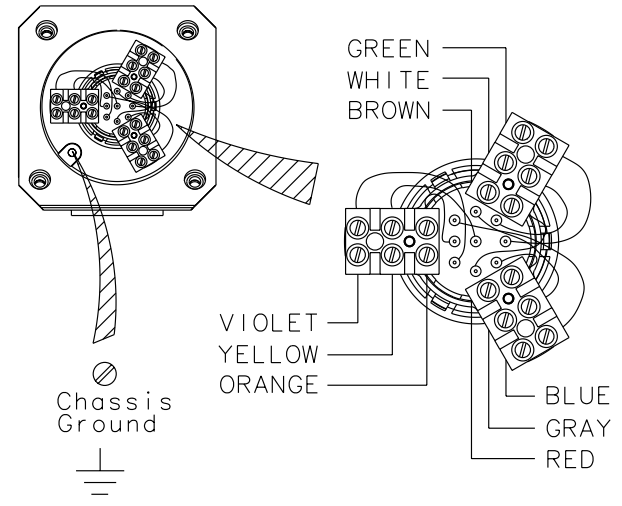


9-WIRE Remote Core Processor
(supplied with transmitter)

J-Box Terminals:

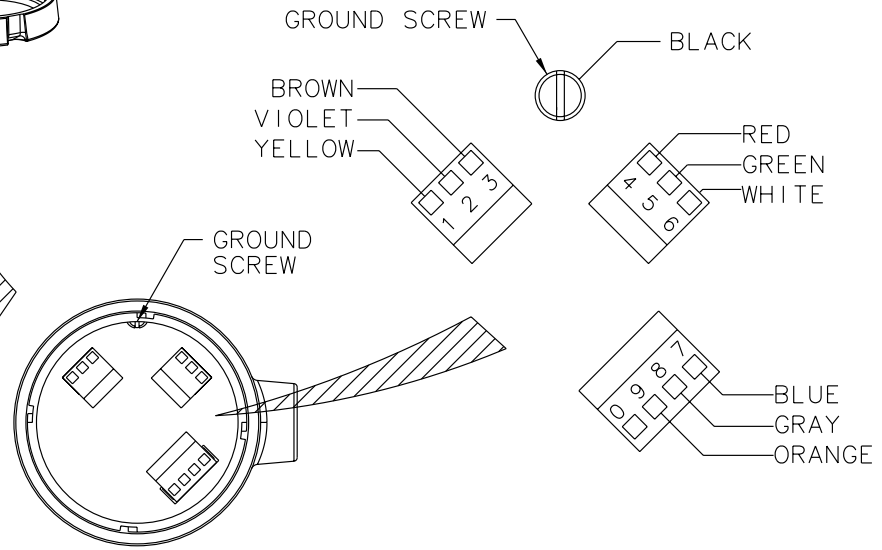
Sensor Types:
DS600

Sensor Junction Box



9-WIRE IS Cable
60 ft [18 m]
(maximum cable length)

NOTE:
Prepare IS Cable per the instructions provided with the cable.



VALID FOR APPROVAL CODES:
- Micro Motion Standard General Purpose
- Cenelec/ATEX

ITEM	DESCRIPTION	PART OR REF. NO.	MATL. OR MFR.	QTY.
			MICRO MOTION, INC. BOULDER, COLORADO	
	THIRD ANGLE PROJECTION	WIRING, DS600 JBOX TO 1700B/2700B		
DRAWN	NAME	DATE	SIZE	DWG. NO.
CHKD.	JLA	11/5/02	D	EW-20000689
APVD.	JLA	11/5/02	SCALE NONE	DO NOT SCALE DRAWING SHEET 1 OF 1

COPYRIGHT 2002 MICRO MOTION, INC.
ALL RIGHTS RESERVED