

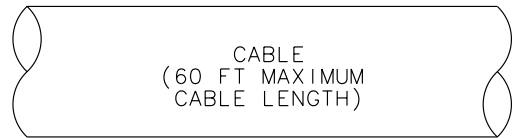
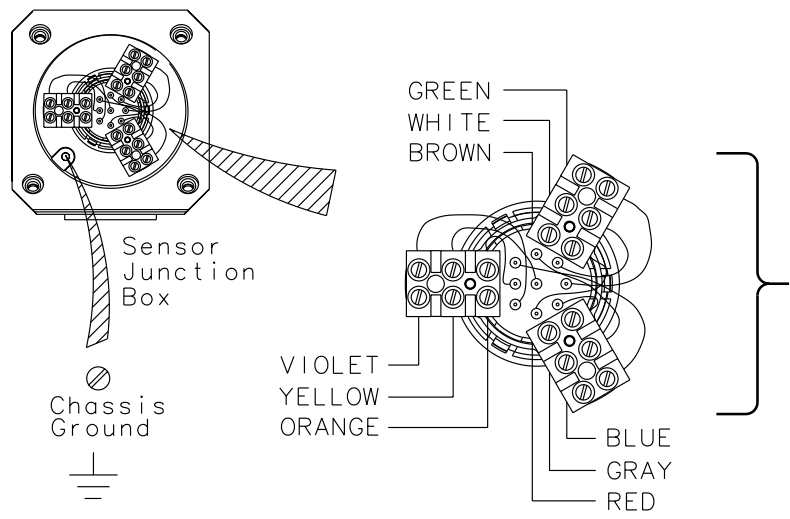
REVISIONS						
REV	ECN	DESCRIPTION OF CHANGE	DRAWN	CHKD	APVD	DATE

GENERAL NOTES (UNLESS OTHERWISE SPECIFIED)

# Sensor Terminals:

## Sensor Types:

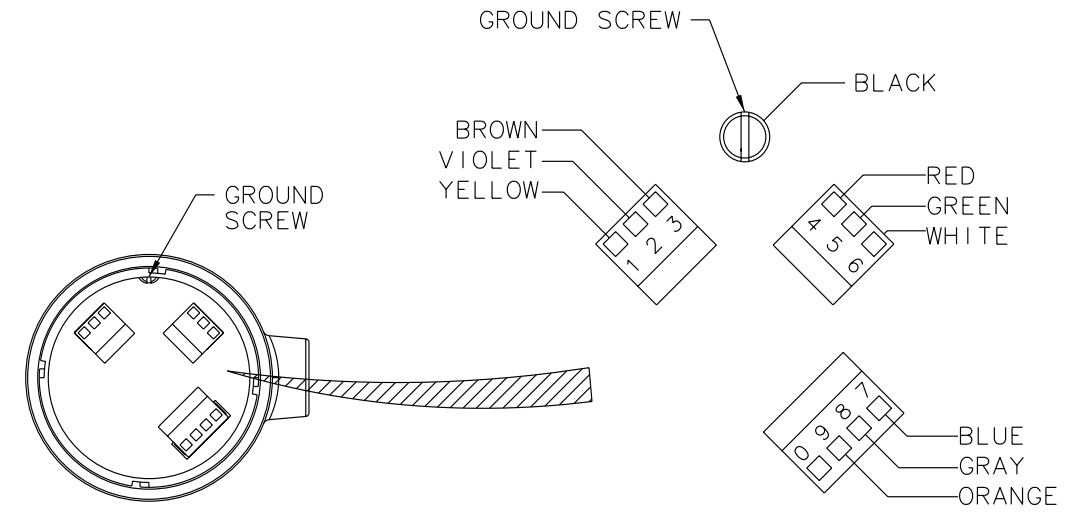
- CMF010
- CMF025
- CMF050
- CMF100
- CMF200
- CMF300 (excluding CMF300A)
- CMF400
- T075    F025    H025
- T100    F050    H050
- T150    F100    H100
- F200    H200
- F300    H300



NOTE: PREPARE CABLE PER THE INSTRUCTIONS PROVIDED WITH THE CABLE.

# Transmitters:

- 1700C
- 2700C



ITEM	DESCRIPTION	PART OR REF. NO.	MATL. OR MFR.	QTY.
		<b>MICRO MOTION, INC.</b> BOULDER, COLORADO		
		WIRING, CMF/T/F/H JBOX TO 1700C/2700C		
NAME	DATE	SIZE	DWG. NO.	REV.
DRAWN SAD	3/29/01	D	EW-3006016	D
CHKD. JLA	4/13/01	SCALE NONE	DO NOT SCALE DRAWING	SHEET 1 OF 1
APVD. JLA	4/13/01			

COPYRIGHT 2005 MICRO MOTION, INC. ALL RIGHTS RESERVED