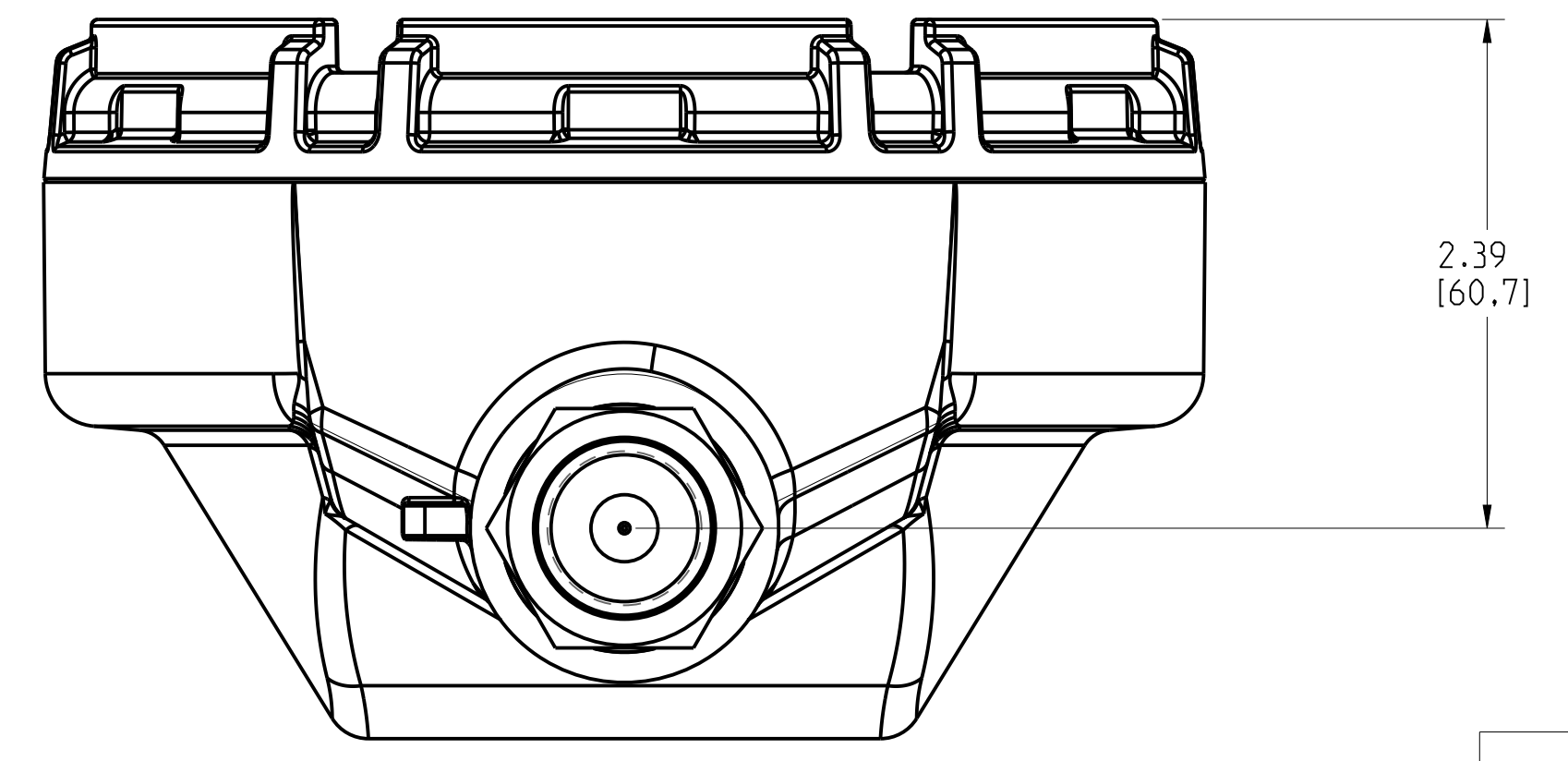
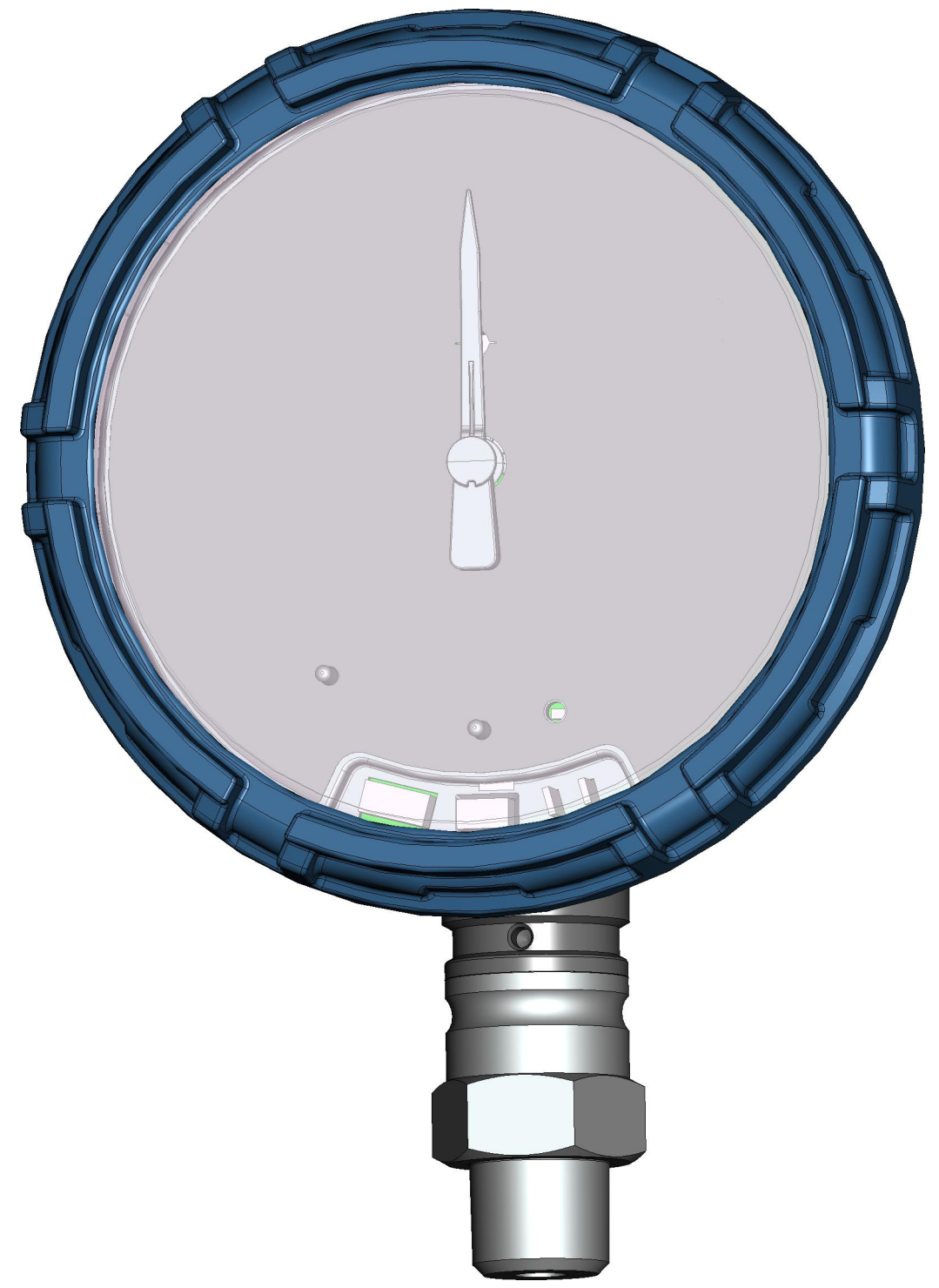
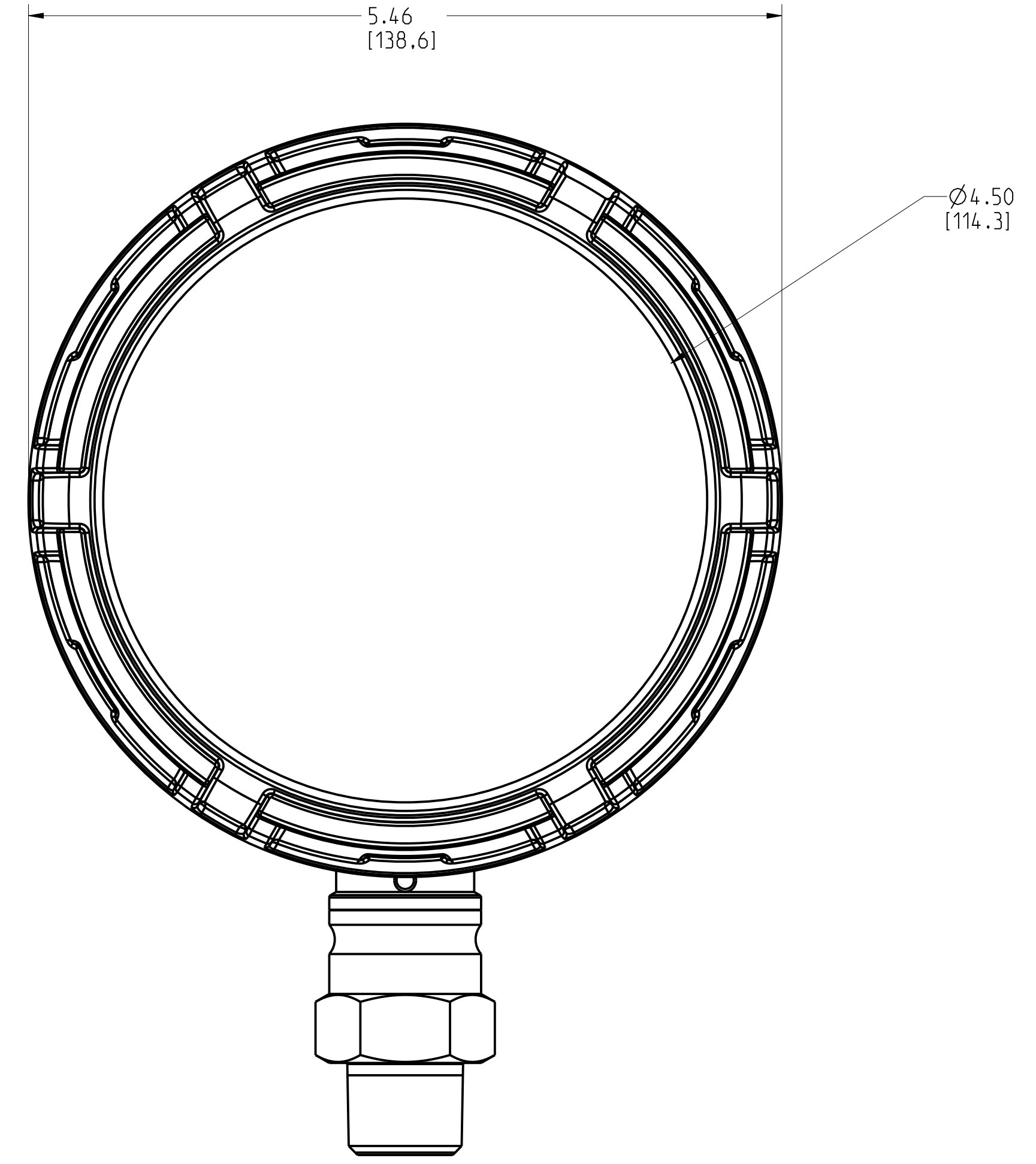
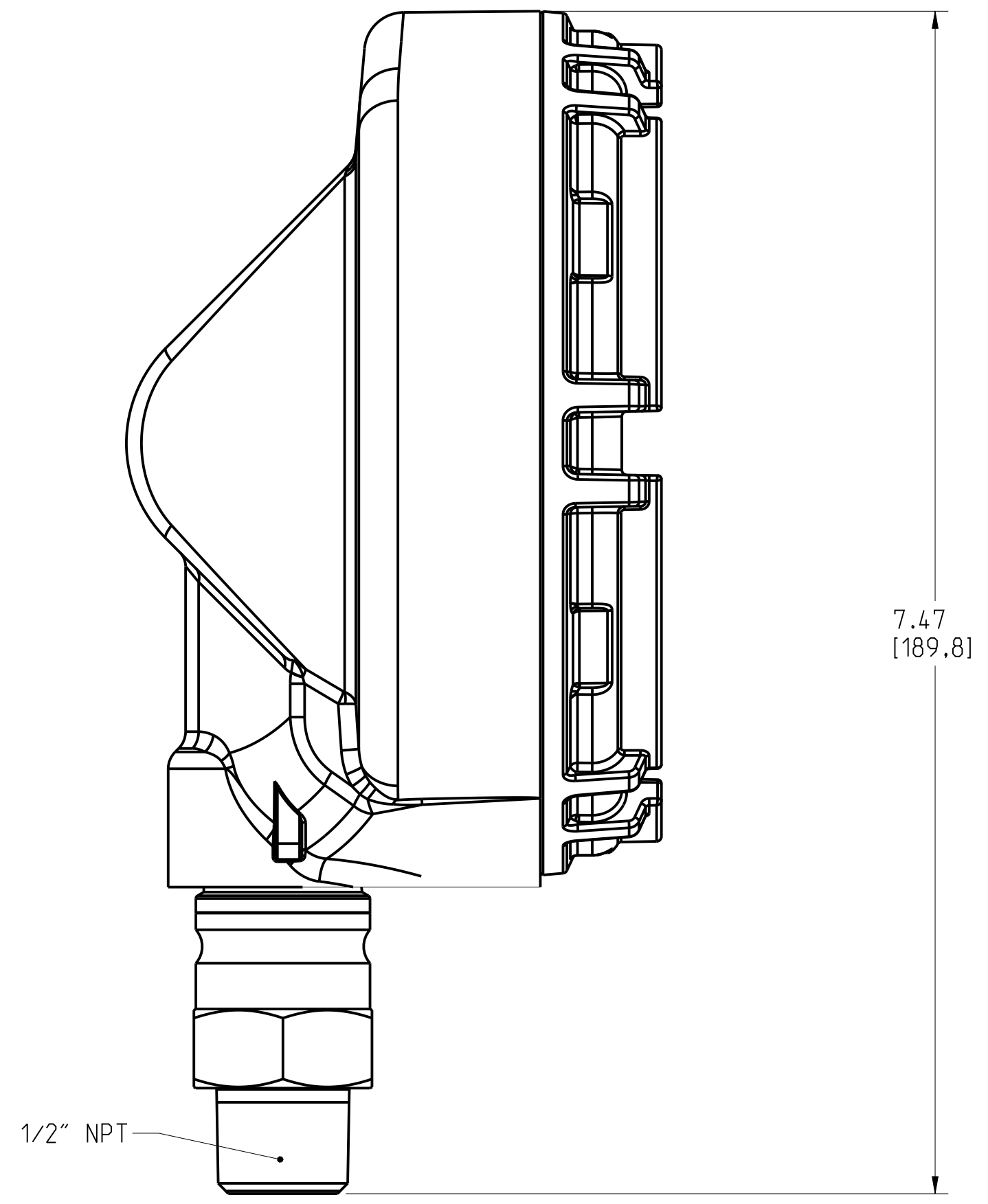


ROSEMOUNT WPG WIRELESS PRESSURE GAUGE
 1/2 INCH PROCESS CONNECTION SHOWN

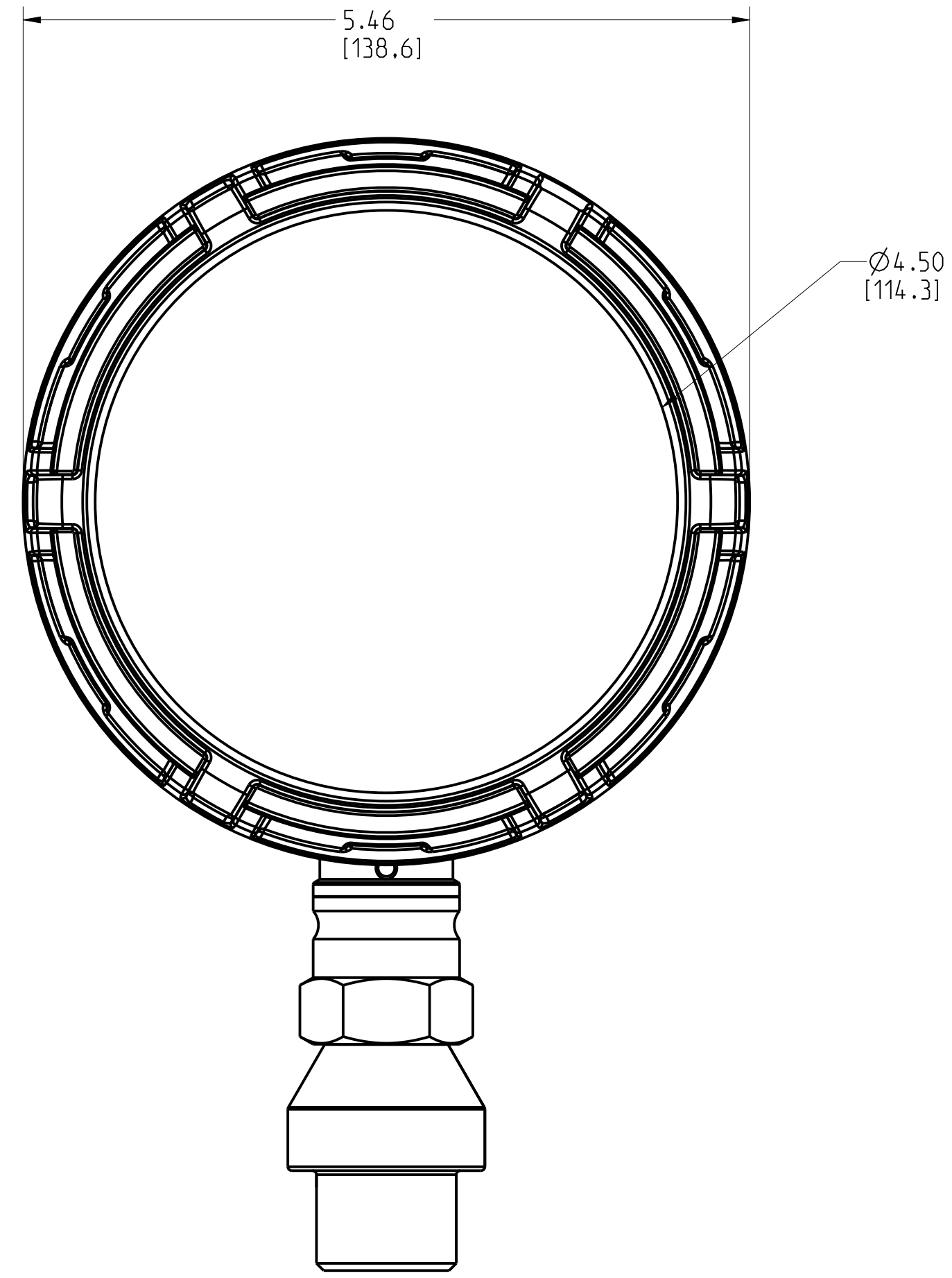
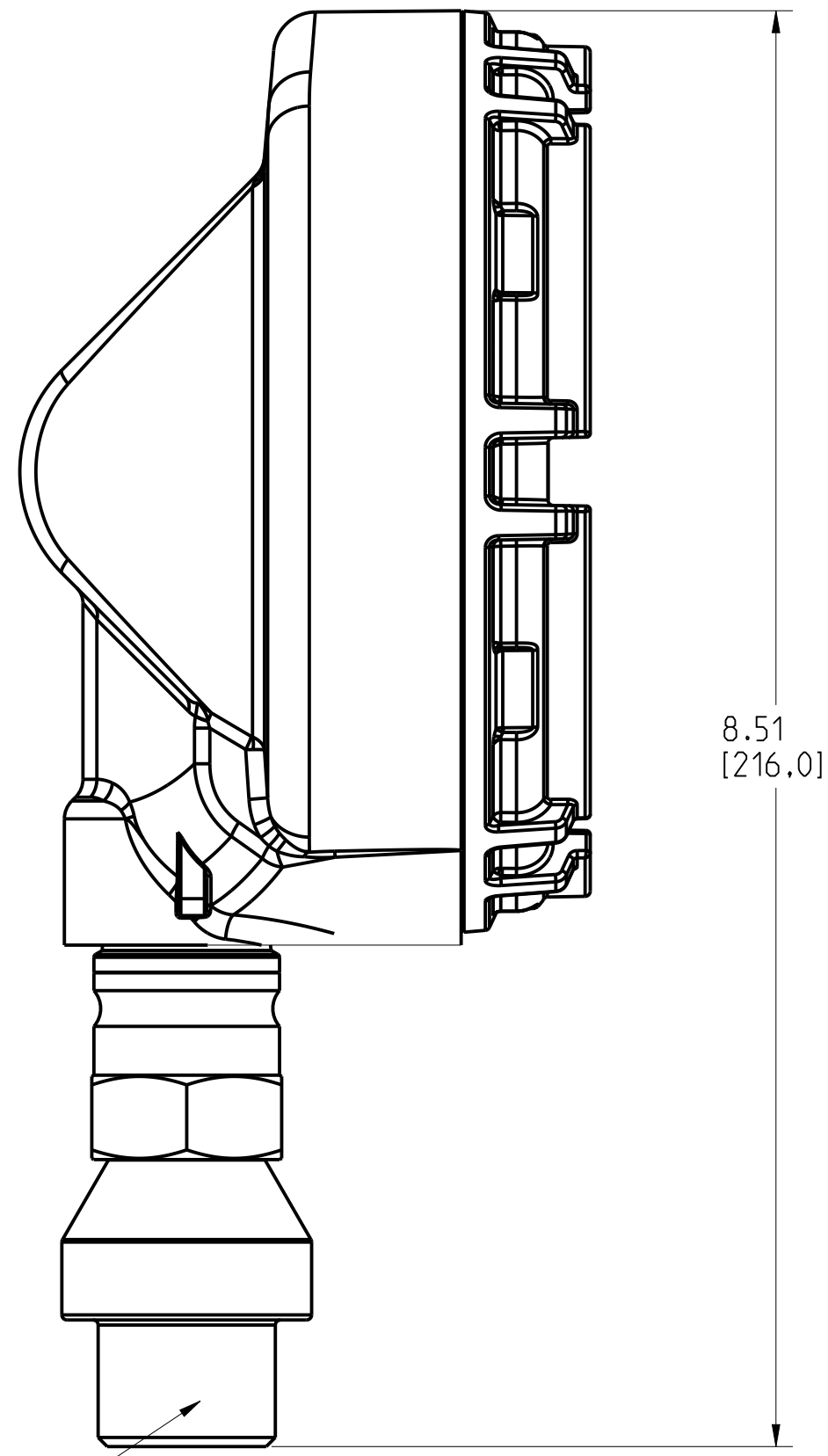
REVISION TABLE			
REVISION	ECO NO.	APP'D	DATE
AE	RTC1075492	M. FLESCH	6/18/20
DESCRIPTION			
ADD LEVEL FLANGES			



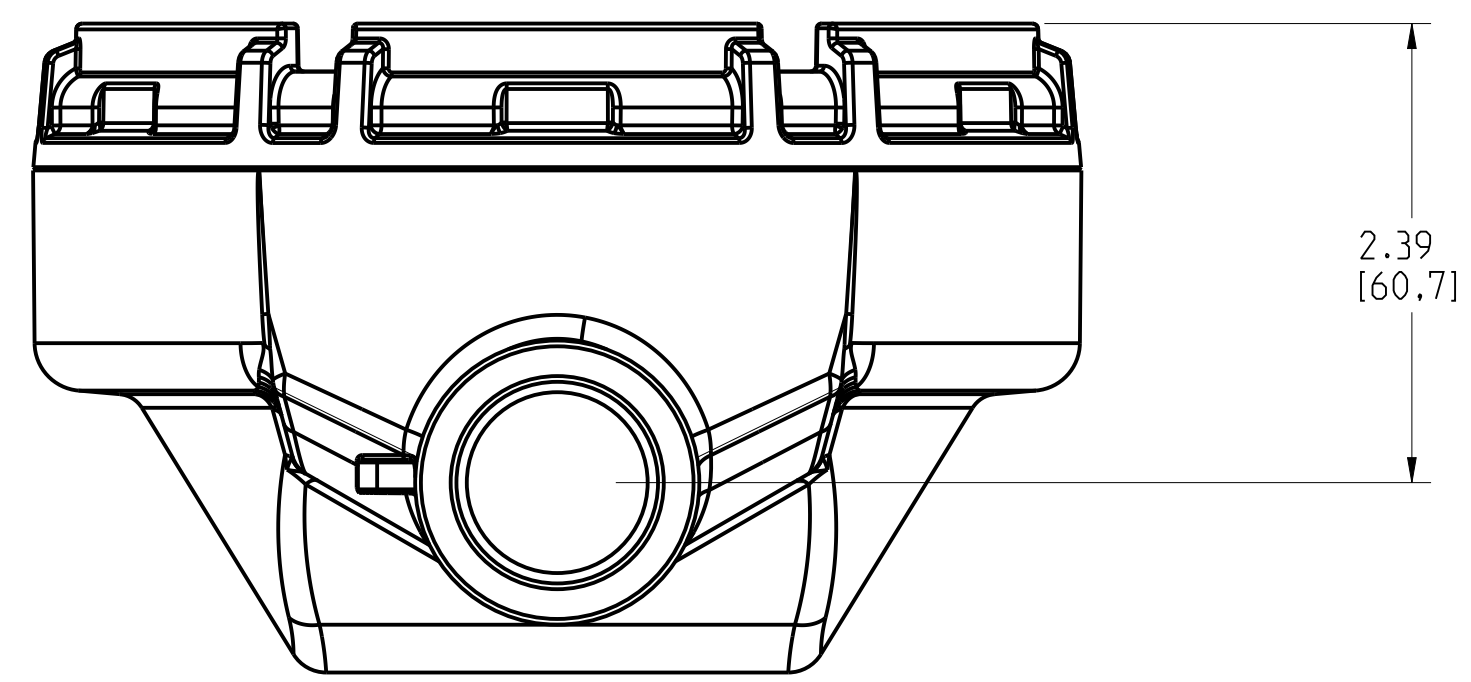
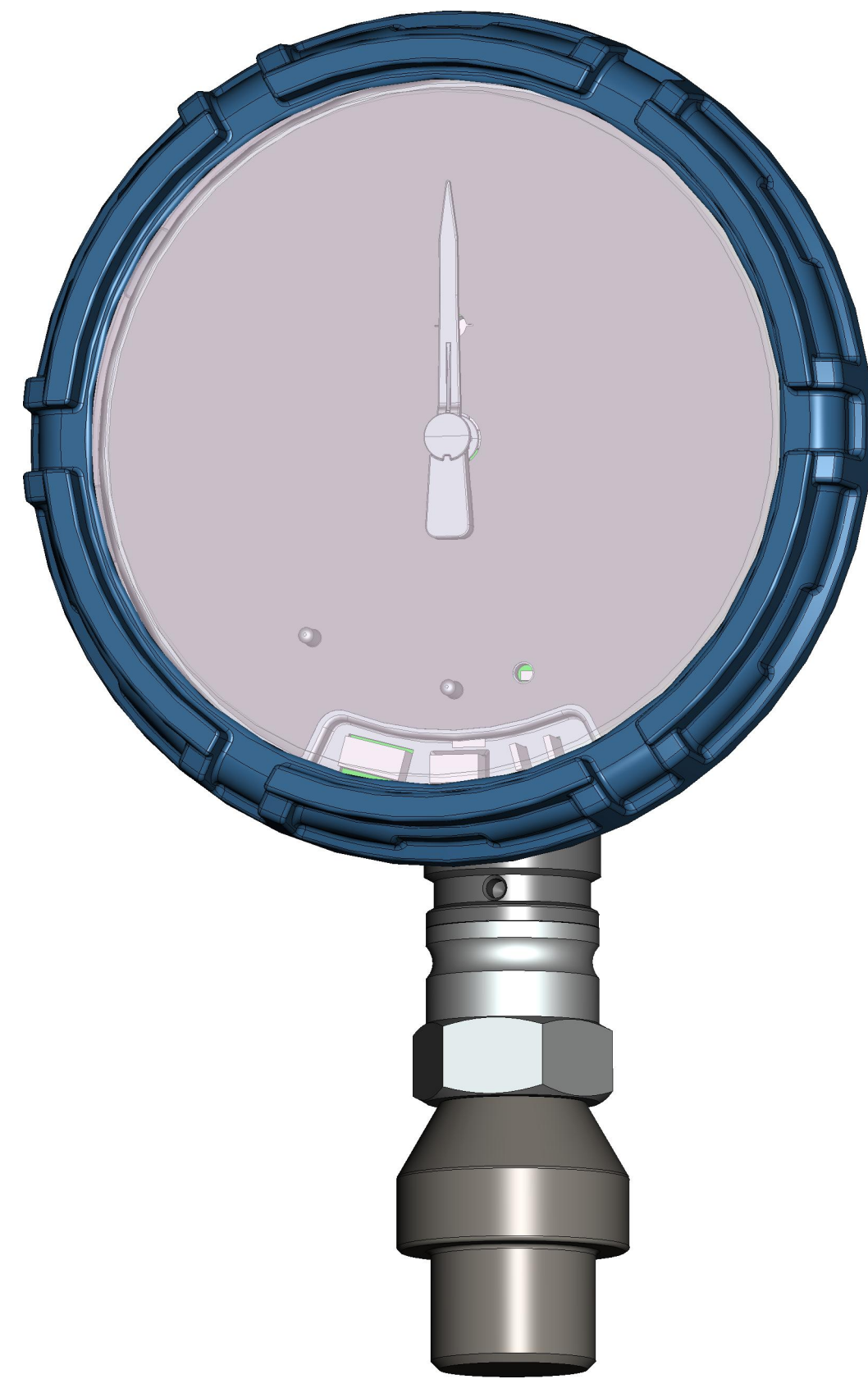
©2015 ROSEMOUNT, INC.
 ROSEMOUNT AND CLEARVIEW
 ARE TRADEMARKS OF ROSEMOUNT
 ENGINEERING IN ACCORDANCE WITH
 ROSEMOUNT ENGINEERING
 SPECIFICATIONS.
 UNIT NOTES IN INCHES (mm).
 REFERENCE ROSEMOUNT
 PRODUCT SPECIFICATIONS.
 CLICK HERE

		3RD ANGLE		SIZE D	SCALE NTS
ROSEMOUNT WPG TYPE I DRAWING					
DR. J. ARMSTRONG	5/19/16	DRAWING NO.		WPG-7000	
APP'D J. VANDERAA	5/2016				
CAD MAINTAINED: (PRO/E)				SHEET 1 OF 6	

ROSEMOUNT WPG WIRELESS PRESSURE GAUGE
3/4 INCH PROCESS CONECTION



3/4" NPT



©2015 ROSEMOUNT, INC.
ROSEMOUNT AND ALL OTHER TRADE NAMES
IN THIS DRAWING ARE USED IN
ACCORDANCE WITH
ROSEMOUNT ENGINEERING
SPECIFICATIONS.
UNIT NOTES IN INCHES (mm).

REFERENCE ROSEMOUNT
PRODUCT SPECIFICATIONS.
CLICK HERE

3RD ANGLE

EMERSON

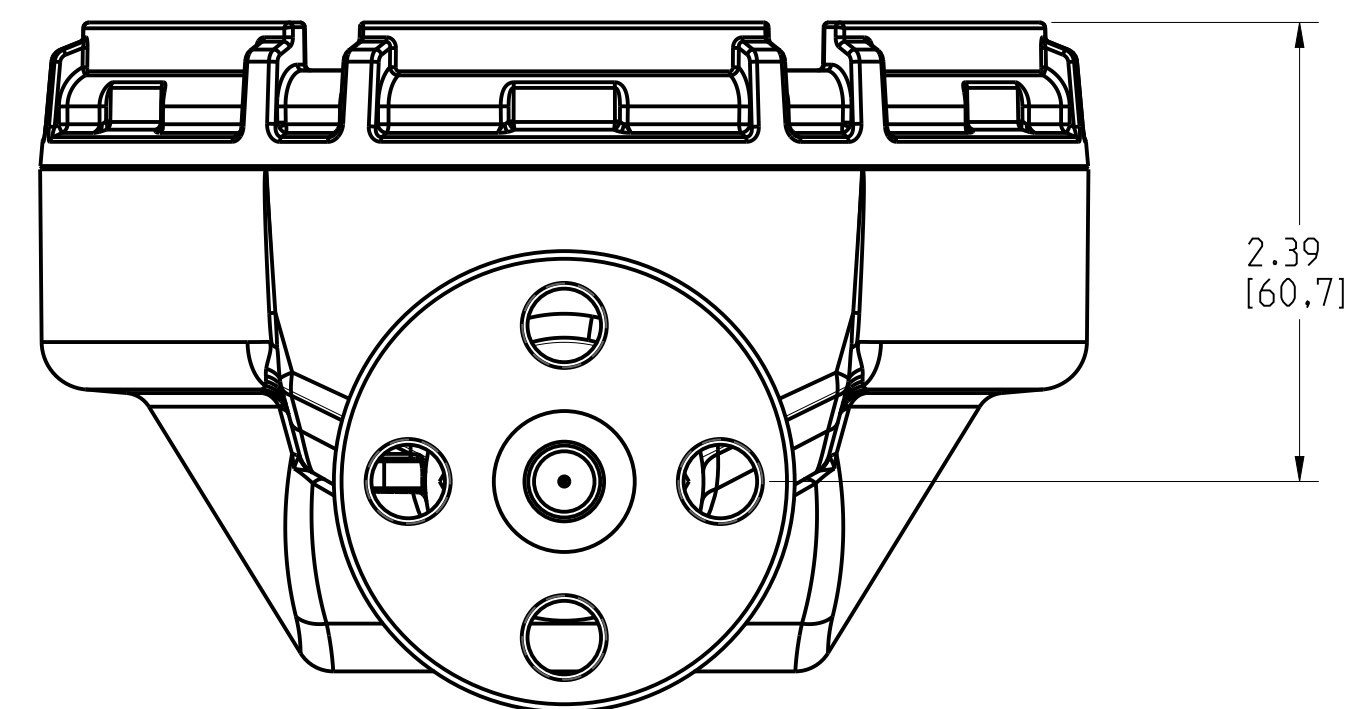
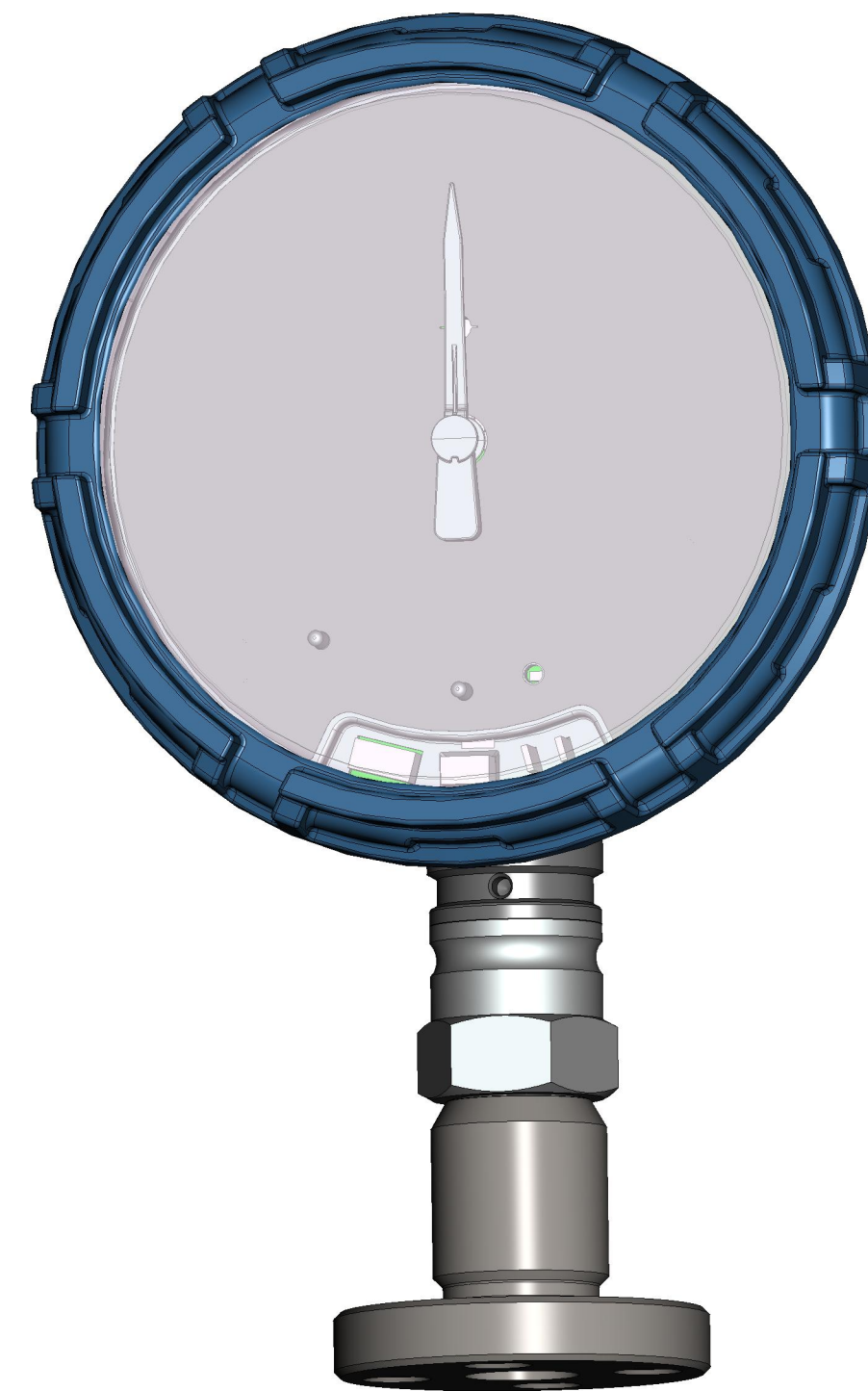
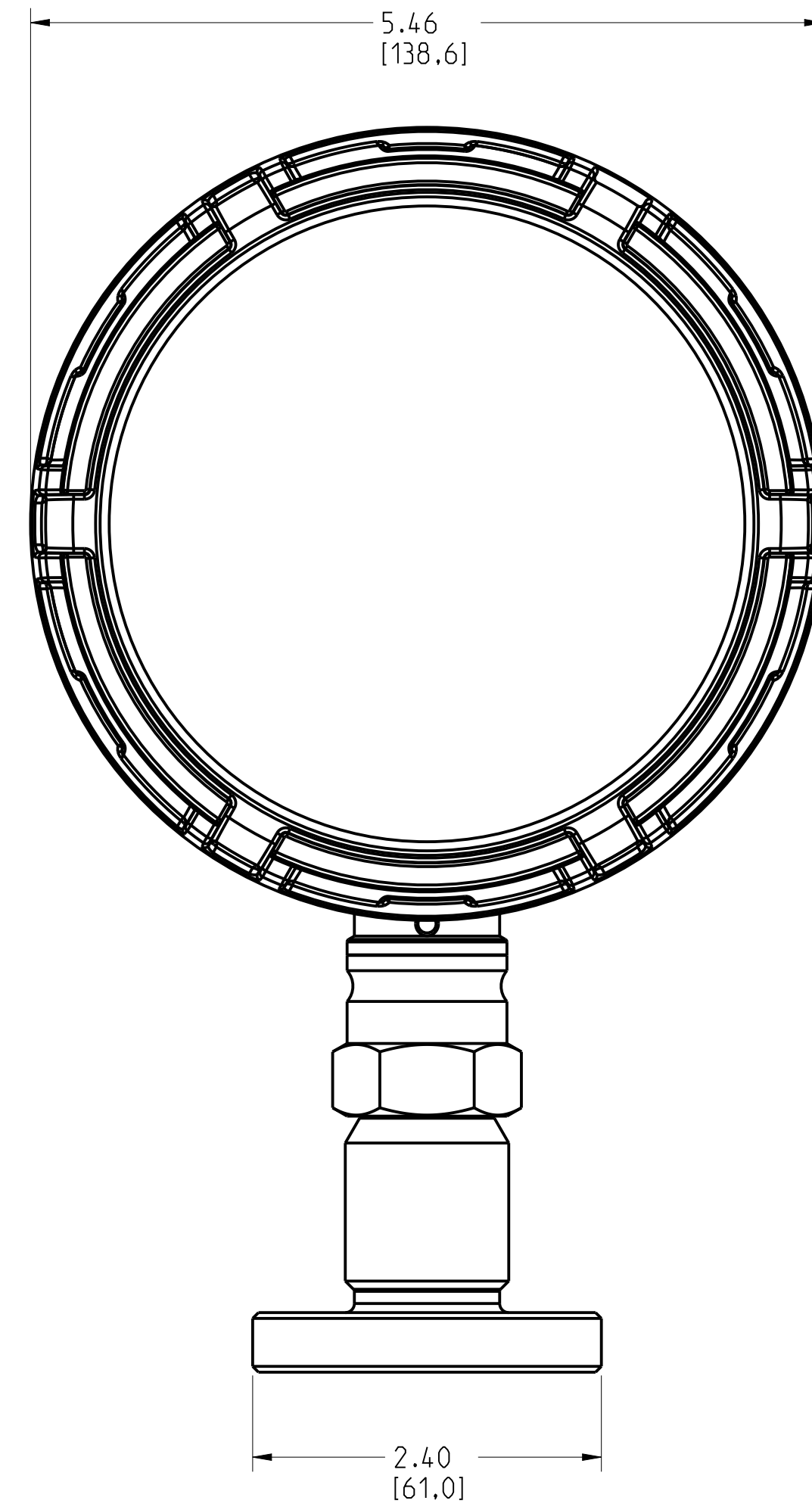
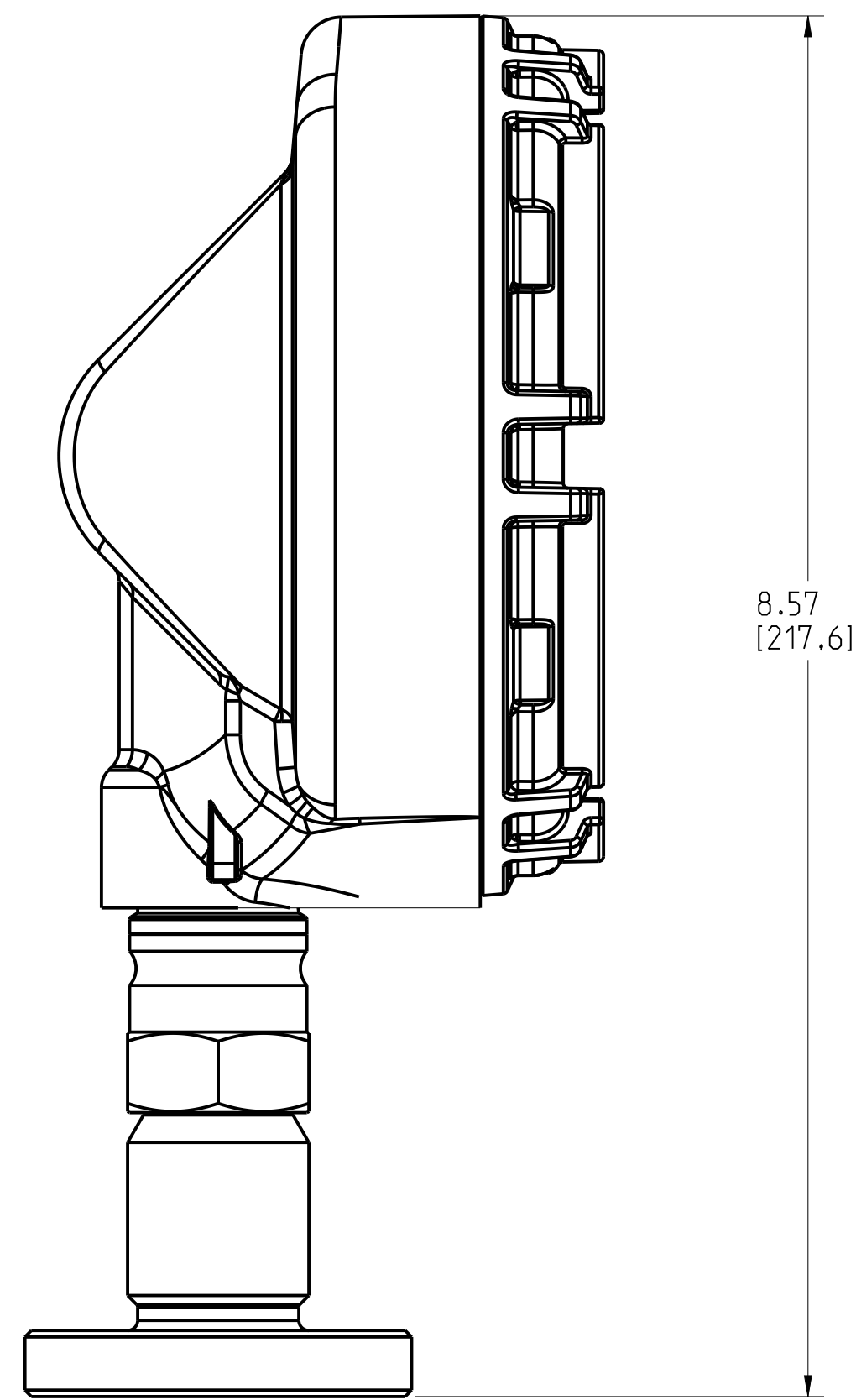
TITLE
ROSEMOUNT WPG
TYPE I DRAWING

DR. J. ARMSTRONG 5/19/16 DRAWING NO.
APP'D J. VANDERAA 5/2016

WPG-7000

CAD MAINTAINED (PRO/EI) SHEET 2 OF 6

ROSEMOUNT WPG WIRELESS PRESSURE GAUGE
I-FLANGE PROCESS CONNECTION



©2015 ROSEMOUNT, INC.
ROSEMOUNT AND CERTAIN OF
THESE DRAWINGS ARE MADE IN
ACCORDANCE WITH
ROSEMOUNT ENGINEERING
SPECIFICATIONS.
UNIT NOTES IN INCHES (mm).

REFERENCE ROSEMOUNT
PRODUCT SPECIFICATIONS.
CLICK HERE

3RD ANGLE

SIZE D SCALE NTS

EMERSON

TITLE
**ROSEMOUNT WPG
TYPE I DRAWING**

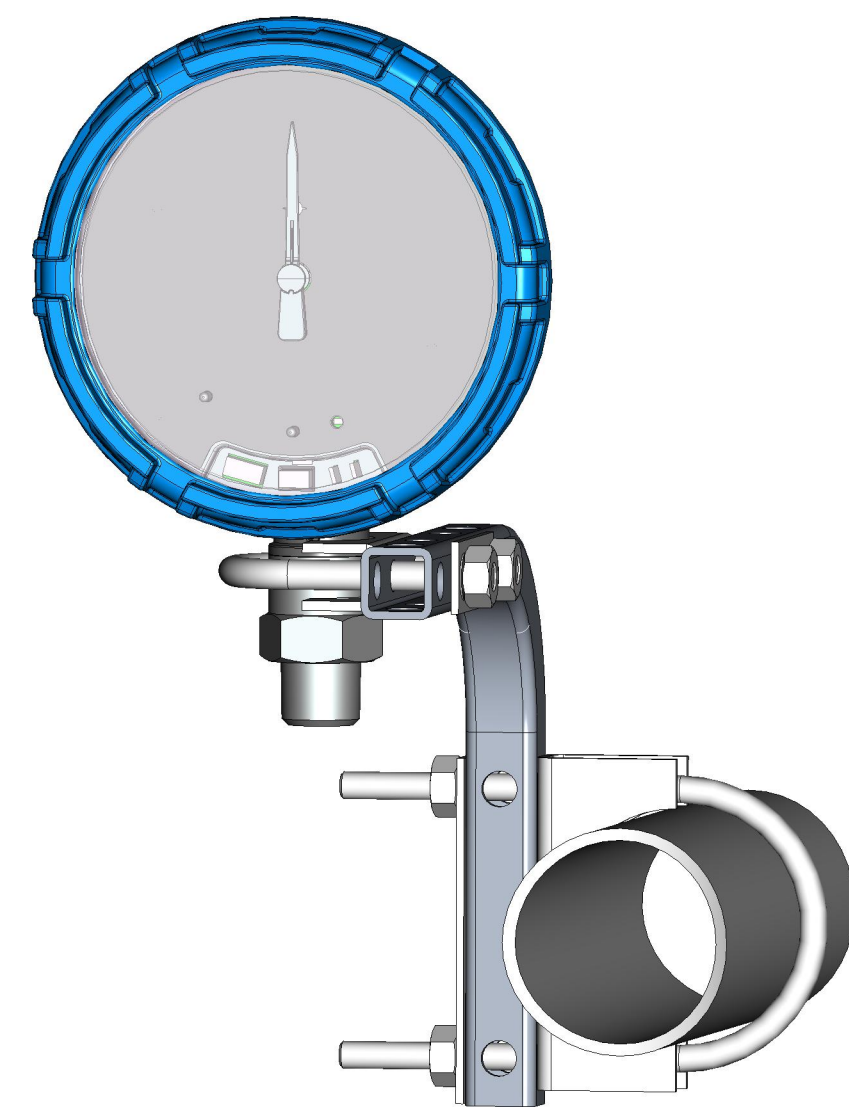
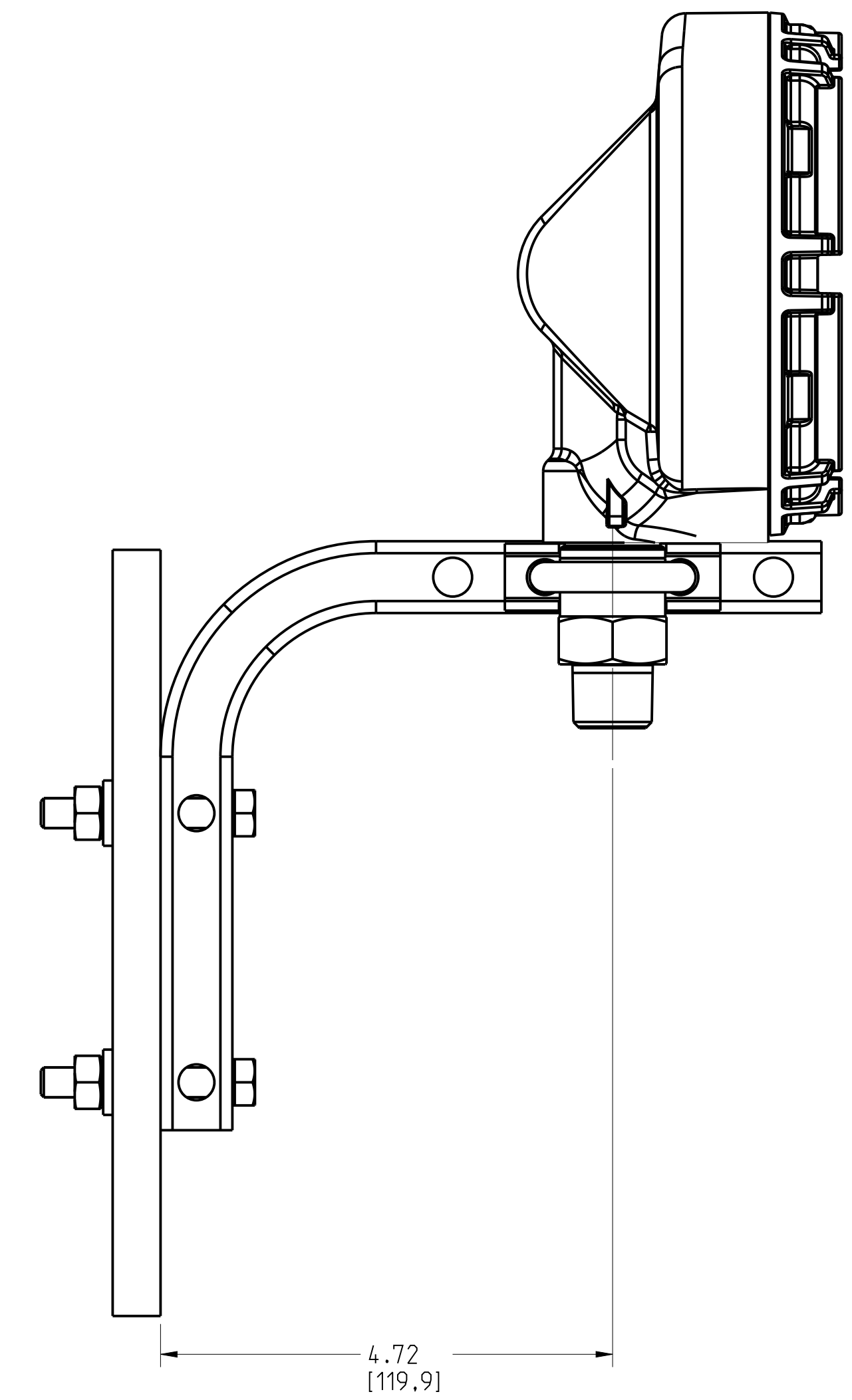
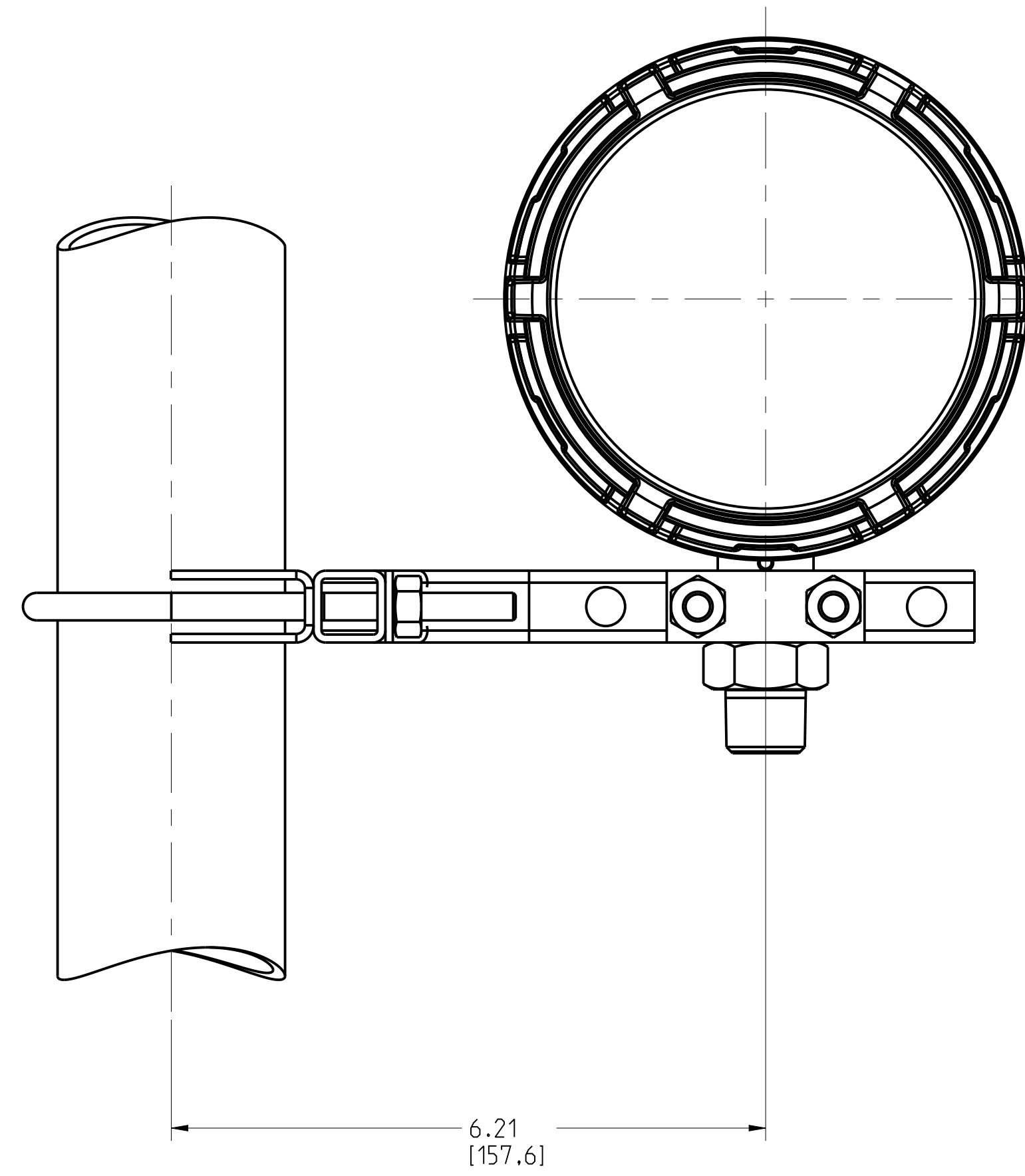
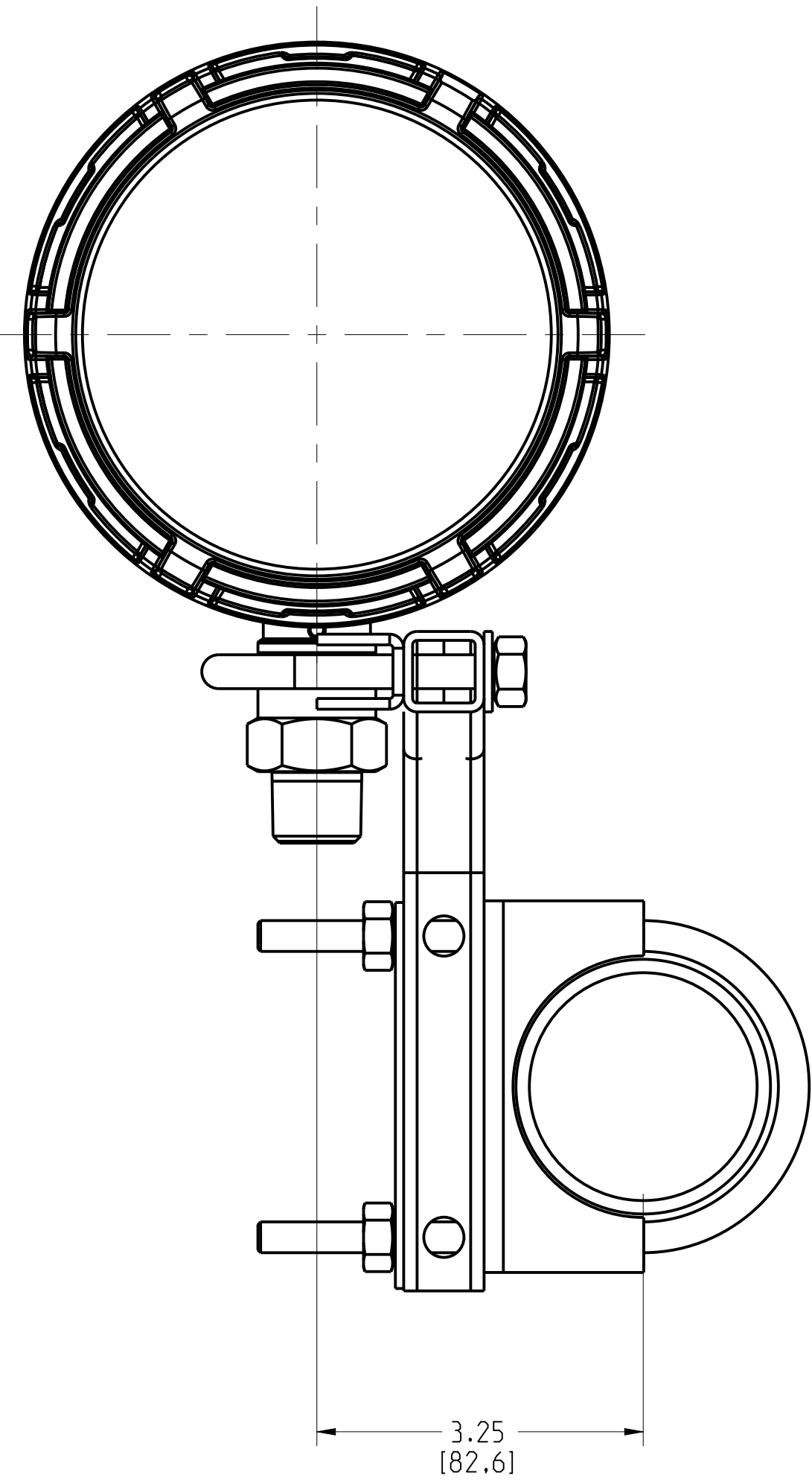
DR. J. ARMSTRONG 5/19/16 DRAWING NO.
APP'D J. VANDERAA 5/2016 **WPG-7000**

CAD MAINTAINED (PRO/EI) SHEET 3 OF 6

ROSEMOUNT WPG WIRELESS PRESSURE GAUGE
MOUNTING CONFIGURATIONS (B4 BRACKET)

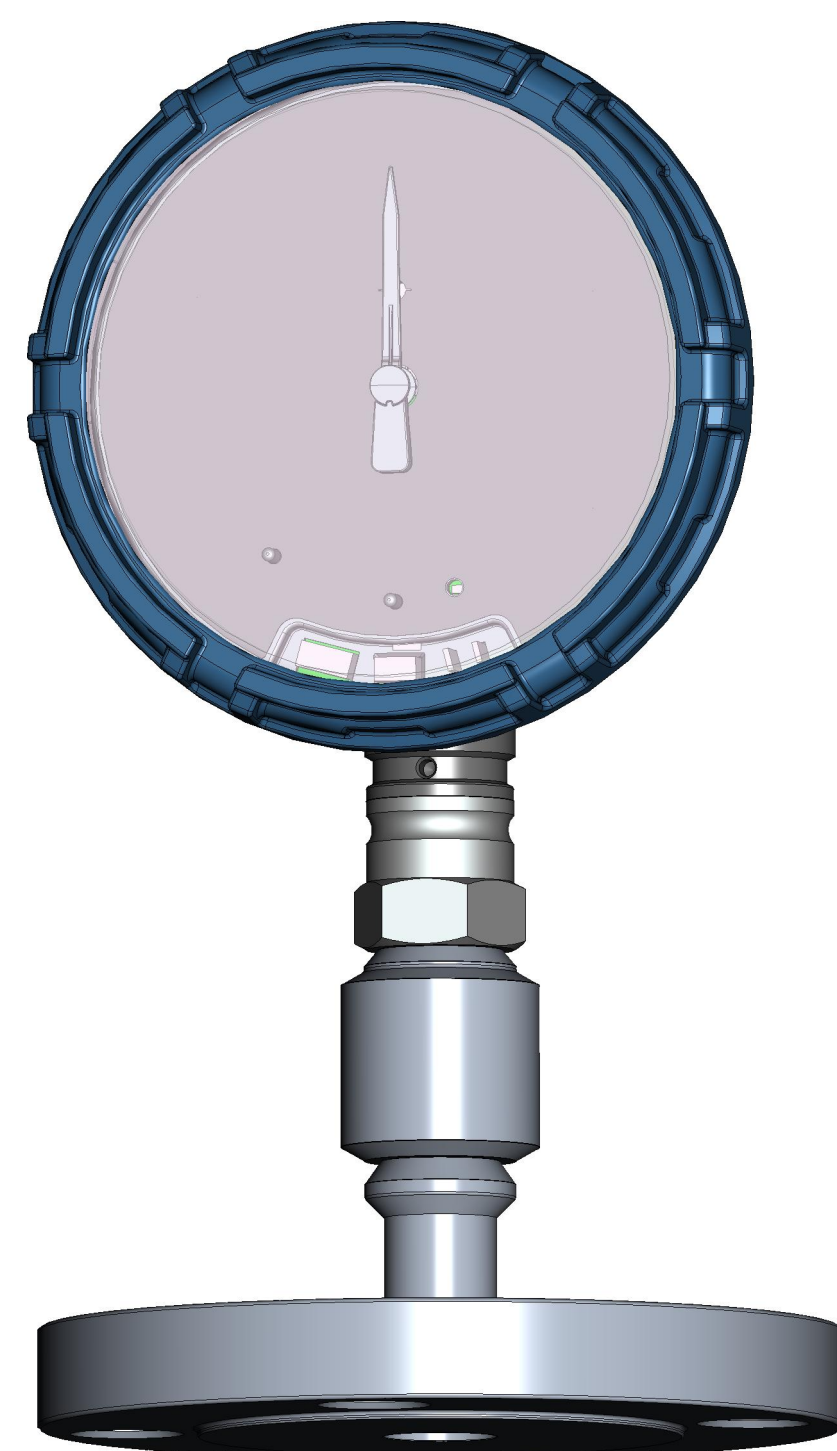
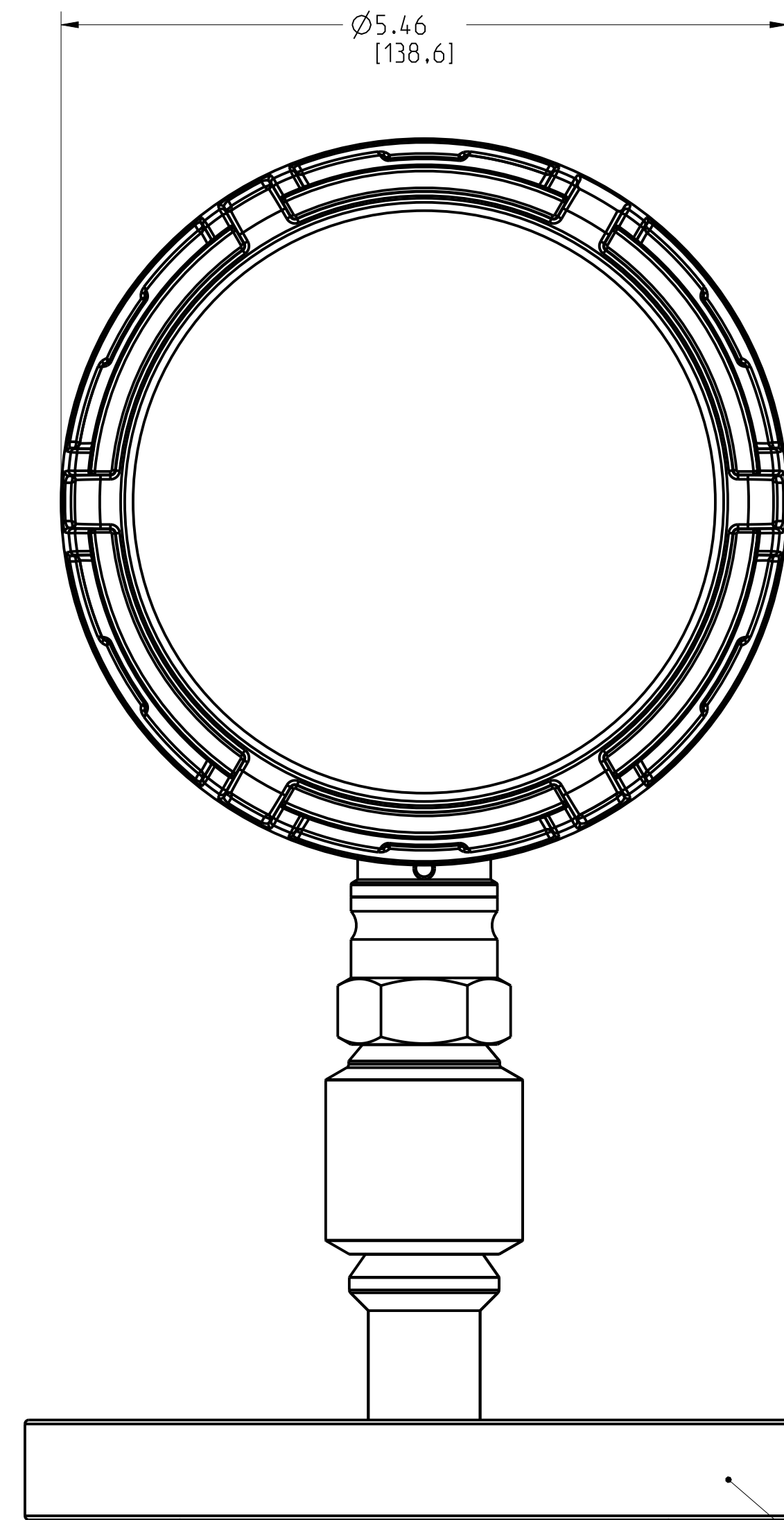
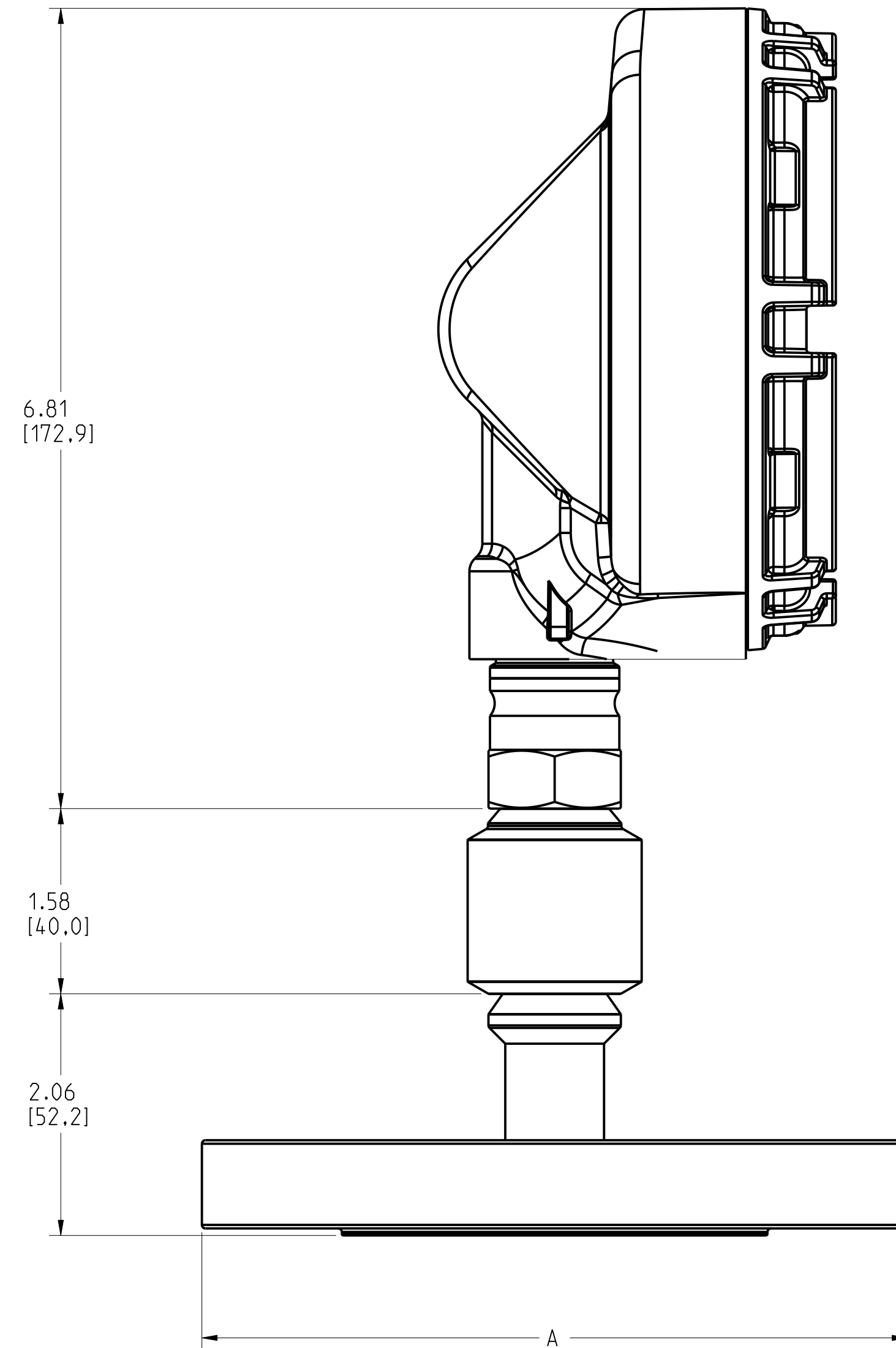
PIPE MOUNTING

PANEL MOUNTING

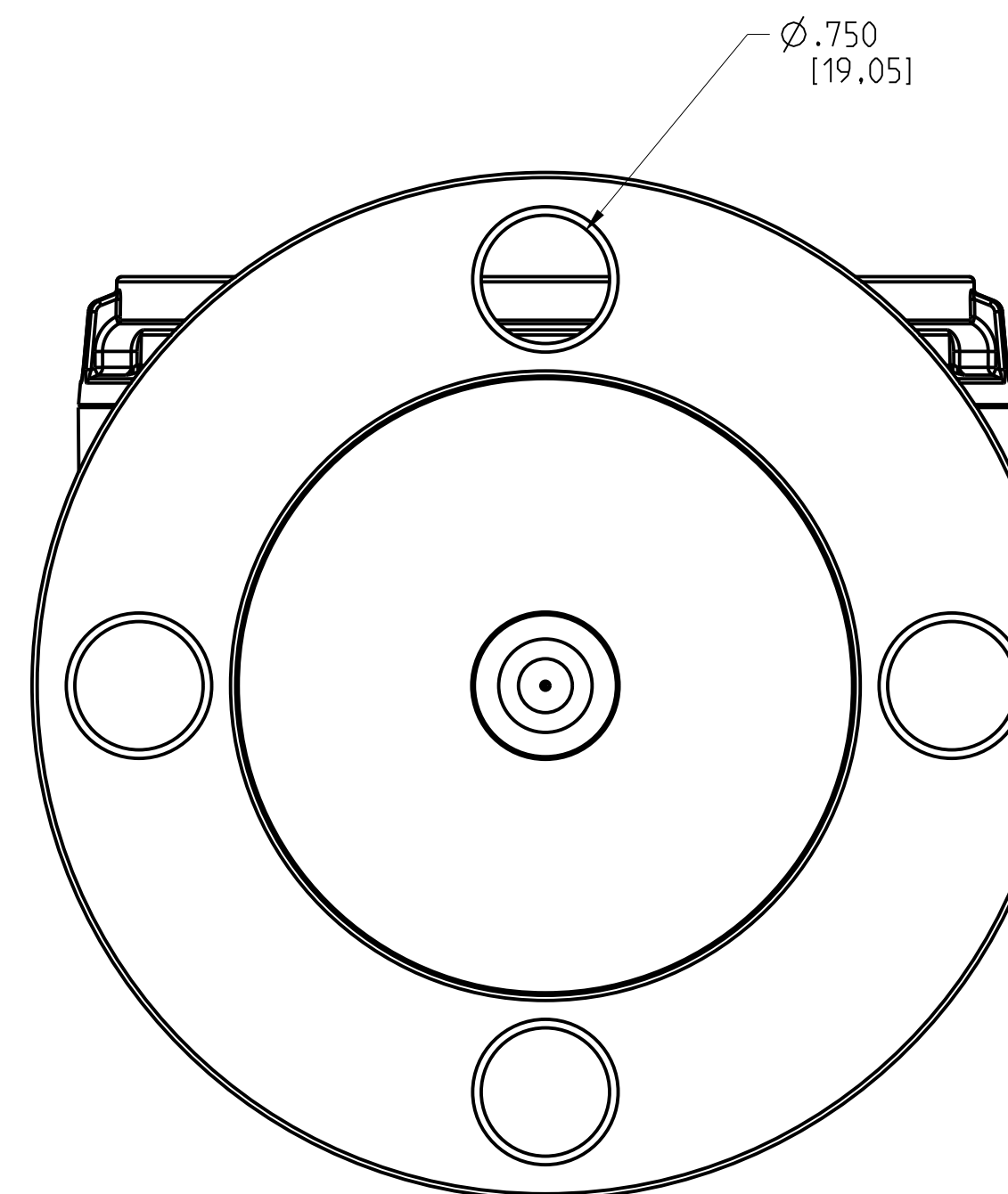


©2015 ROSEMOUNT, INC. ROSEMOUNT, INC. CLAIMS THESE DRAWINGS ARE MADE IN ACCORDANCE WITH ROSEMOUNT ENGINEERING SPECIFICATIONS. UNIT NOTES IN INCHES (mm). REFERENCE ROSEMOUNT PRODUCT SPECIFICATIONS FOR PRODUCT SPECIFICATIONS. CLICK HERE	3RD ANGLE	SIZE D	SCALE NTS
	TITLE ROSEMOUNT WPG TYPE I DRAWING		
	DR. J. ARMSTRONG APP'D J. VANDERAA	5/19/16 5/2016	DRAWING NO. WPG-7000

ROSEMOUNT WPG WIRELESS PRESSURE GAUGE
WITH WELDED LEVEL FLANGE



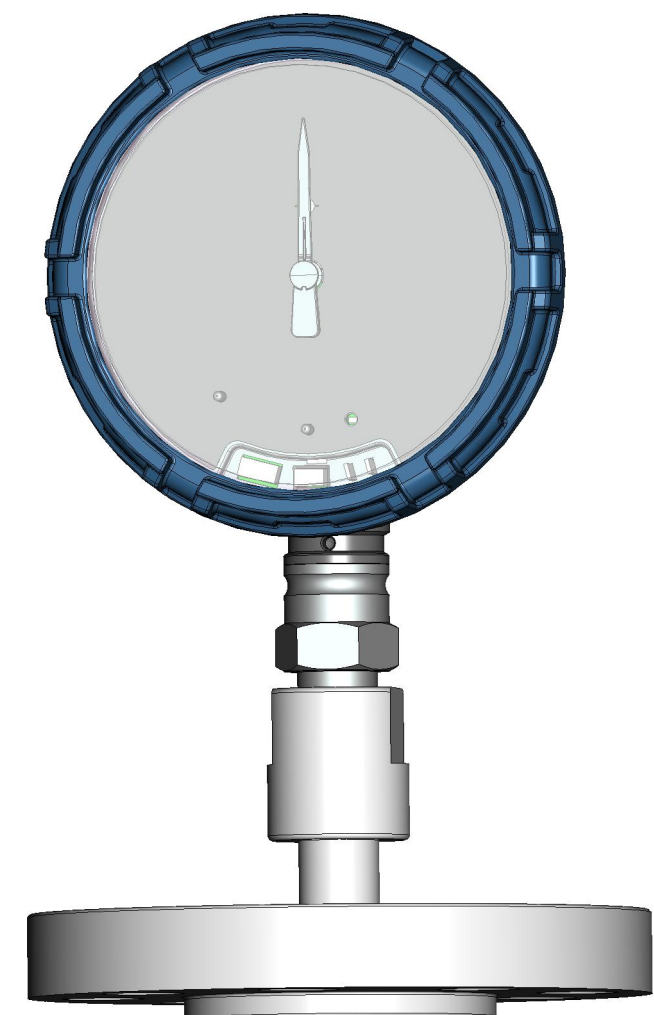
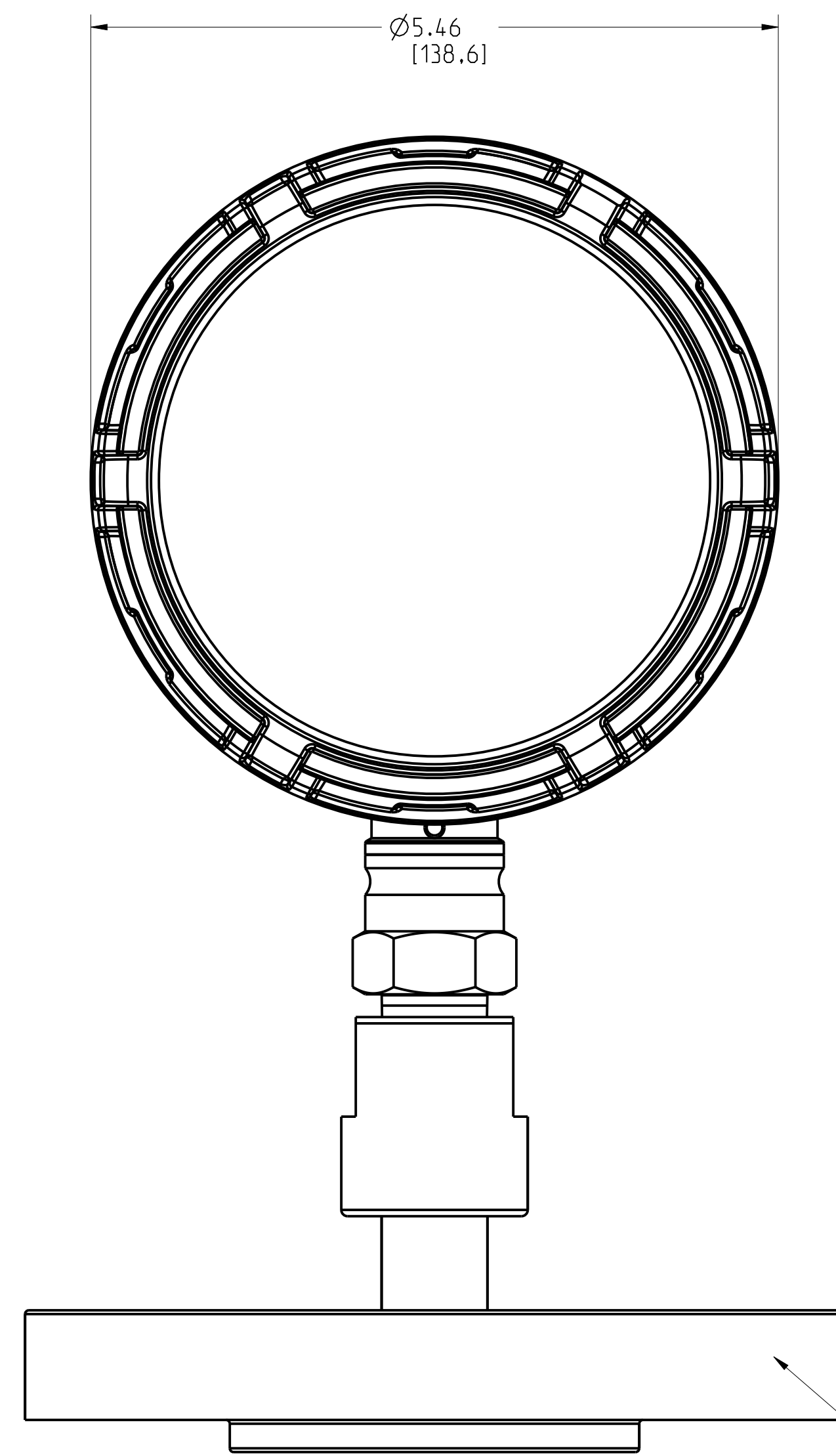
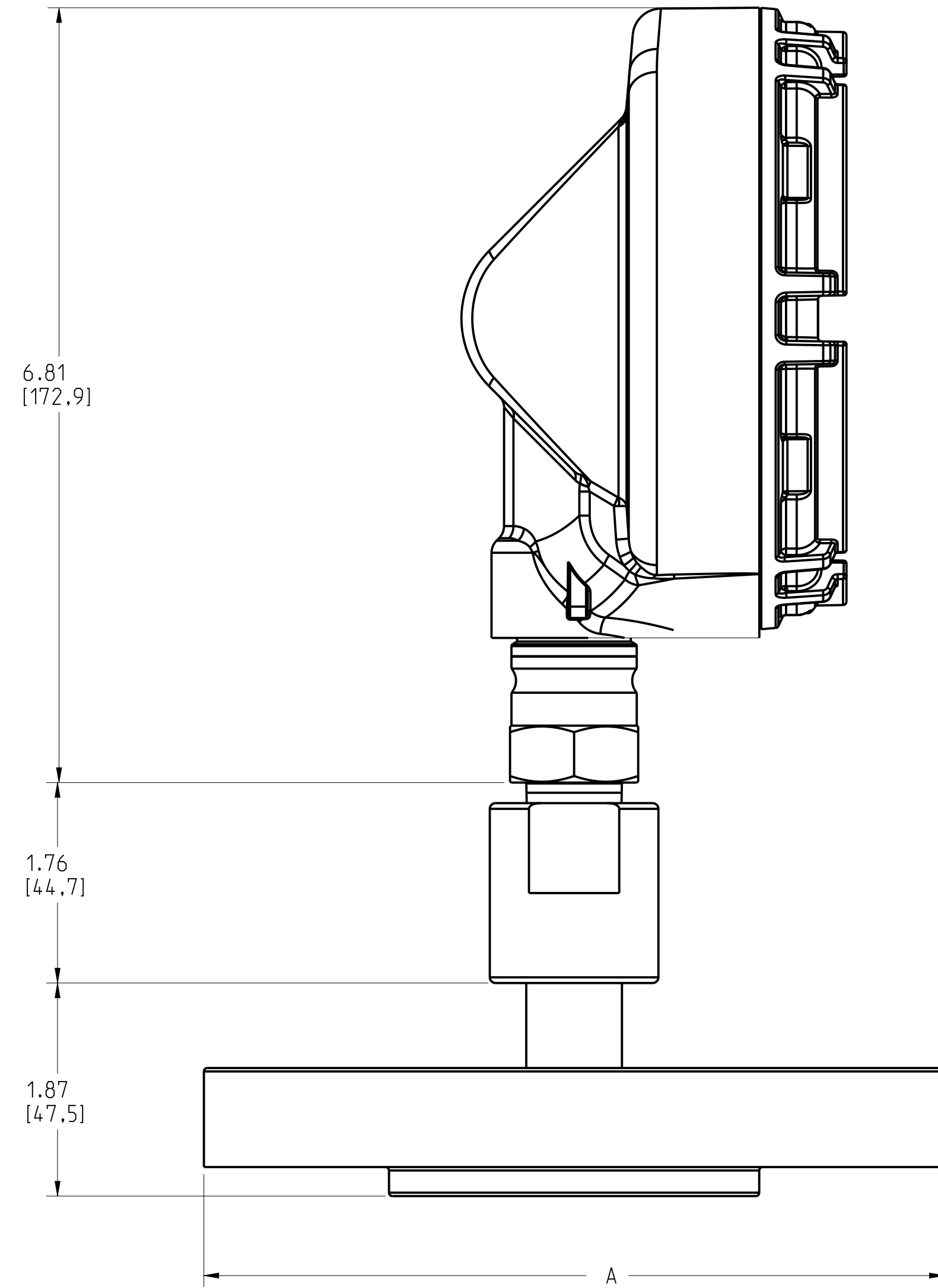
FLANGE SIZE	DIM A
1" 150#	4.25 [107.9]
1" 300#	4.88 [123.9]
2" 150#	6.00 [152.4]
2" 300#	6.50 [165]
3" 150#	7.50 [190.5]
3" 300#	8.50 [209.6]
DIN-DN 50	6.50 [165]
DIN-DN 80	7.87 [199.9]



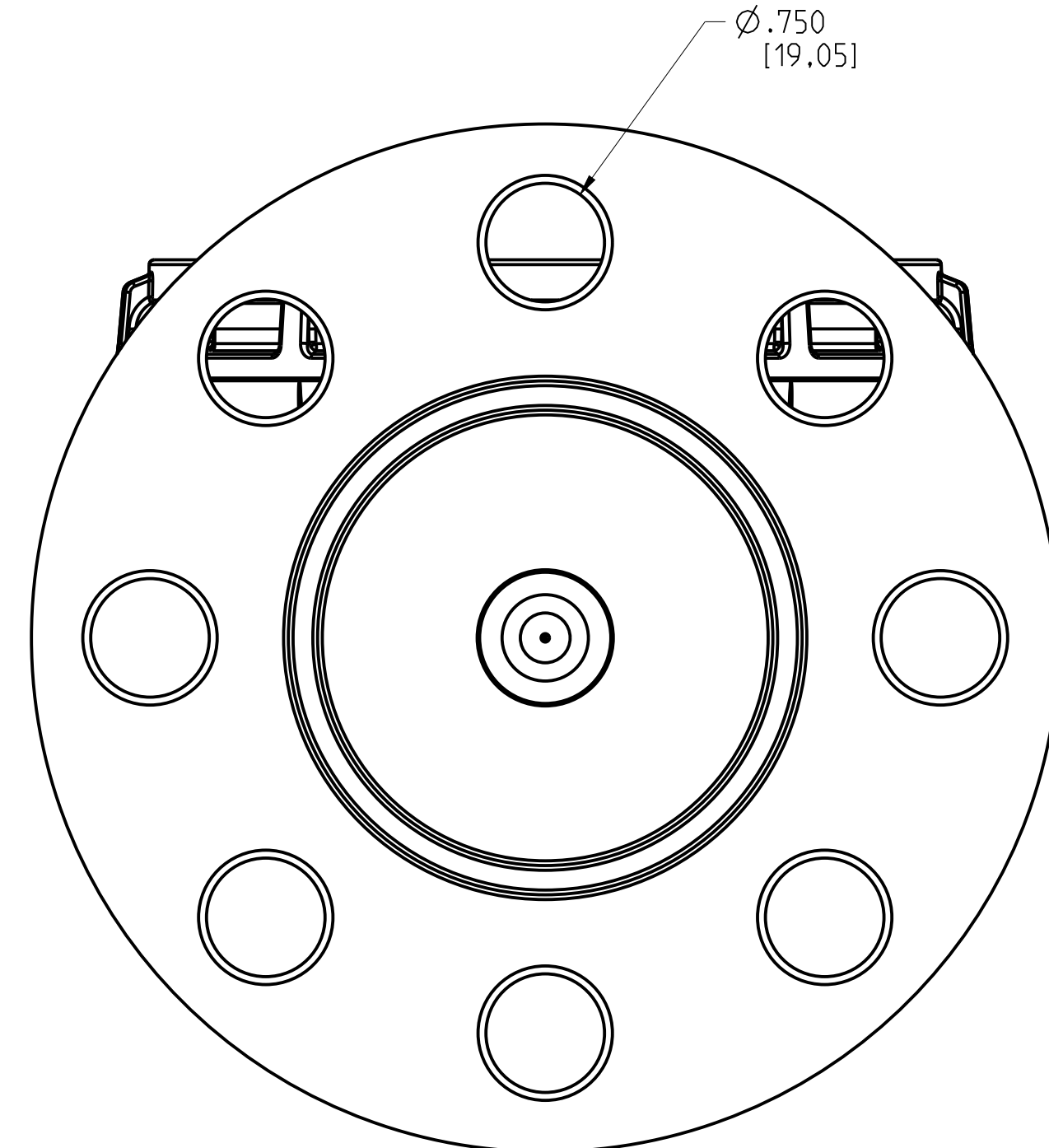
©2015 ROSEMOUNT, INC.
ROSEMOUNT AND ALL OTHER
TRADEMARKS ARE USED IN
ACCORDANCE WITH
ROSEMOUNT ENGINEERING
SPECIFICATIONS.
UNIT NOTES IN INCHES (mm).
REFERENCE ROSEMOUNT
PRODUCT SPECIFICATIONS.
CLICK HERE

		3RD ANGLE		SIZE D	SCALE NTS
ROSEMOUNT WPG TYPE I DRAWING					
DR. J. ARMSTRONG	5/19/16	DRAWING NO.		WPG-7000	
APP'D J. VANDERAA	5/2016			SHEET 5 OF 6	
CAD MAINTAINED (PRO/E)					

ROSEMOUNT WPG WIRELESS PRESSURE GAUGE
WITH THREADED LEVEL FLANGE



FLANGE SIZE	DIM A
1" 150#	4.25 [107.9]
1" 300#	4.88 [123.9]
2" 150#	6.00 [152.4]
2" 300#	6.50 [165]
3" 150#	7.50 [190.5]
3" 300#	8.50 [209.6]
DIN-DN 50	6.50 [165]
DIN-DN 80	7.87 [199.9]



3-IN. ANSI CLASS 300
FLANGE SHOWN

©2015 ROSEMOUNT, INC.
ROSEMOUNT AND ALL OTHER
TRADEMARKS ARE REGISTERED IN
THESE DRAWINGS IN ACCORDANCE WITH
ROSEMOUNT ENGINEERING
SPECIFICATIONS.
UNIT NOTES IN INCHES (mm).

REFERENCE ROSEMOUNT
PRODUCT SPECIFICATIONS.
CLICK HERE

3RD ANGLE

EMERSON

TITLE
ROSEMOUNT WPG
TYPE I DRAWING

DR. J. ARMSTRONG 5/19/16 DRAWING NO.
APP'D J. VANDERAA 5/2016

WPG-7000

CAD MAINTAINED (PRO/EI) SHEET 6 OF 6