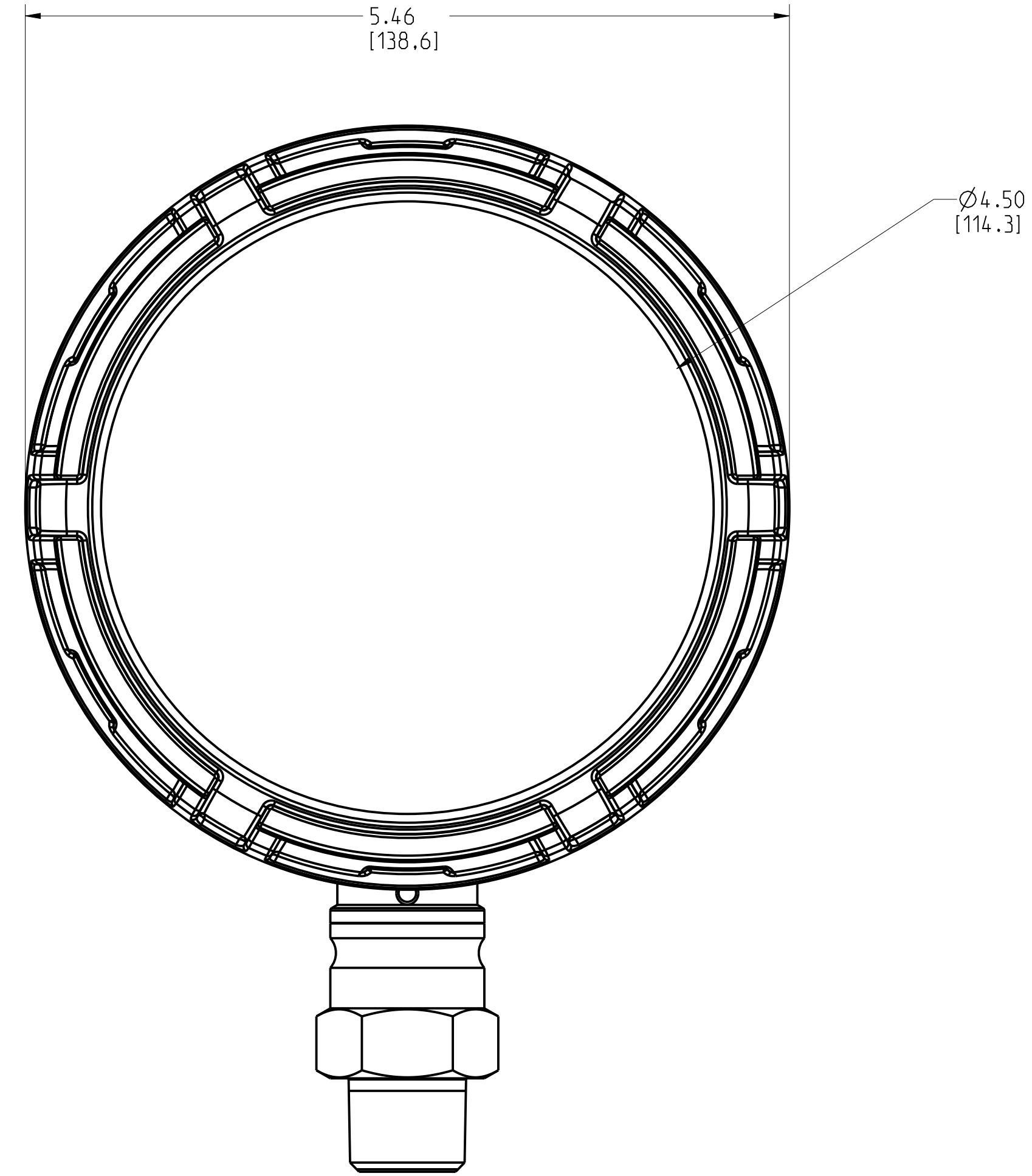
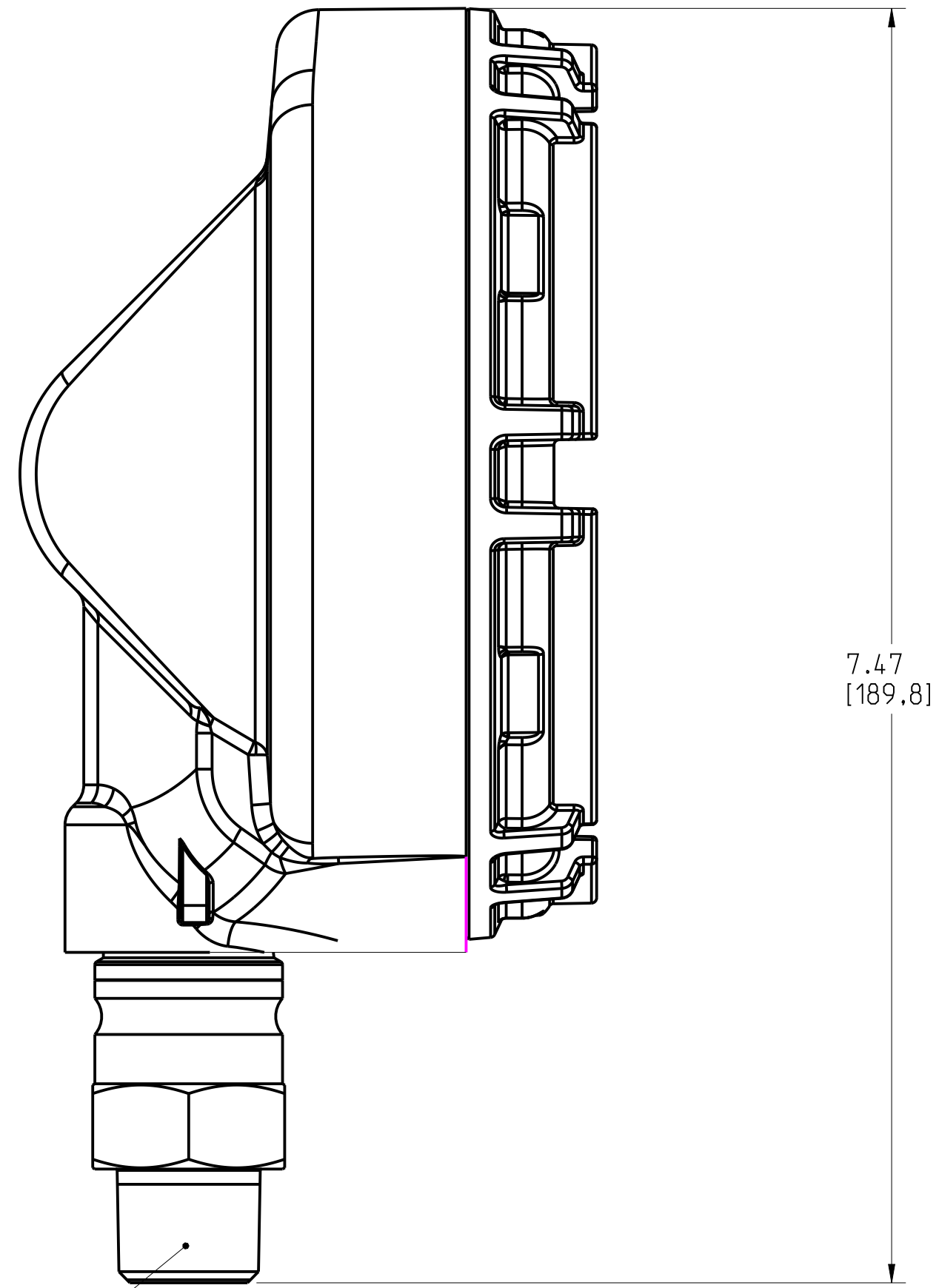
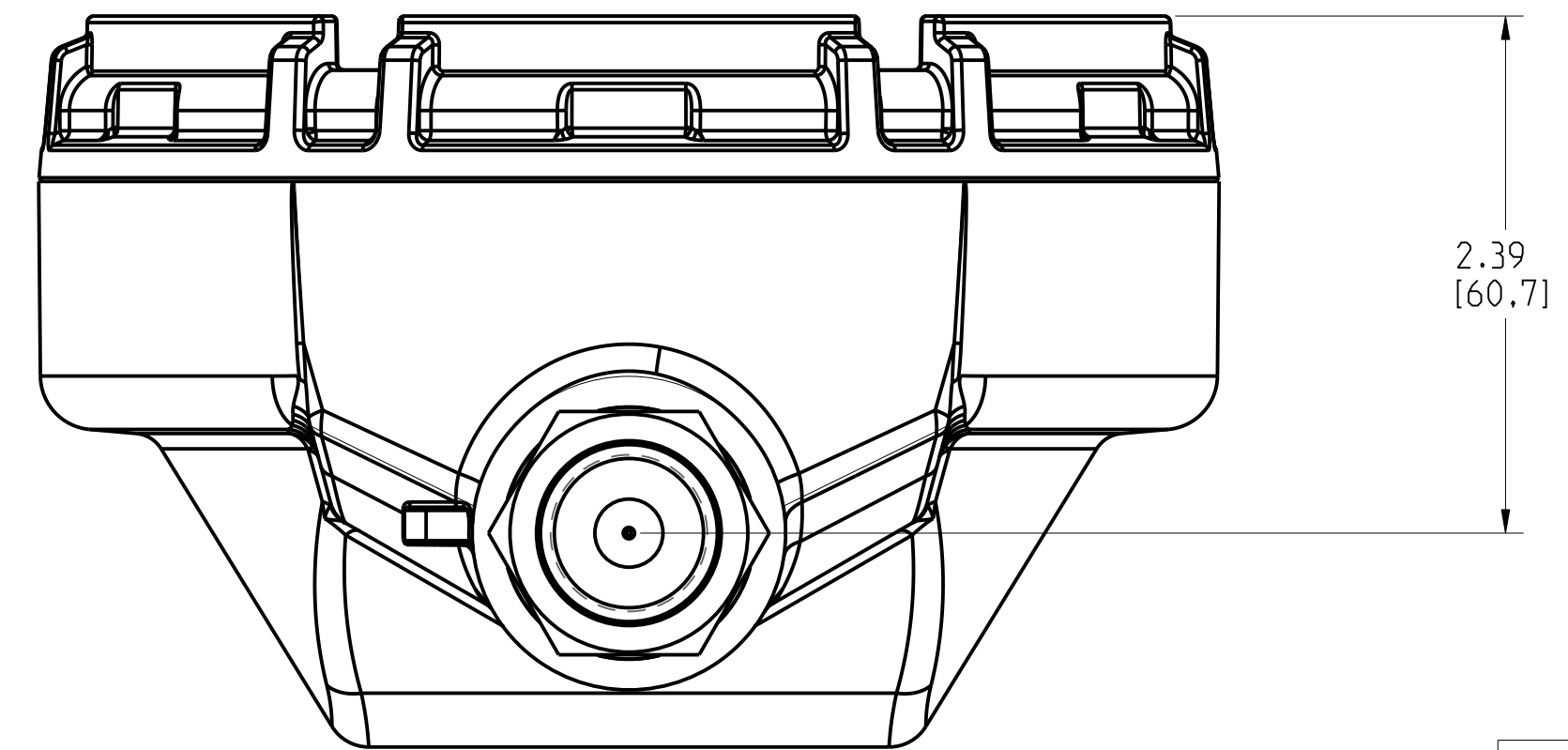
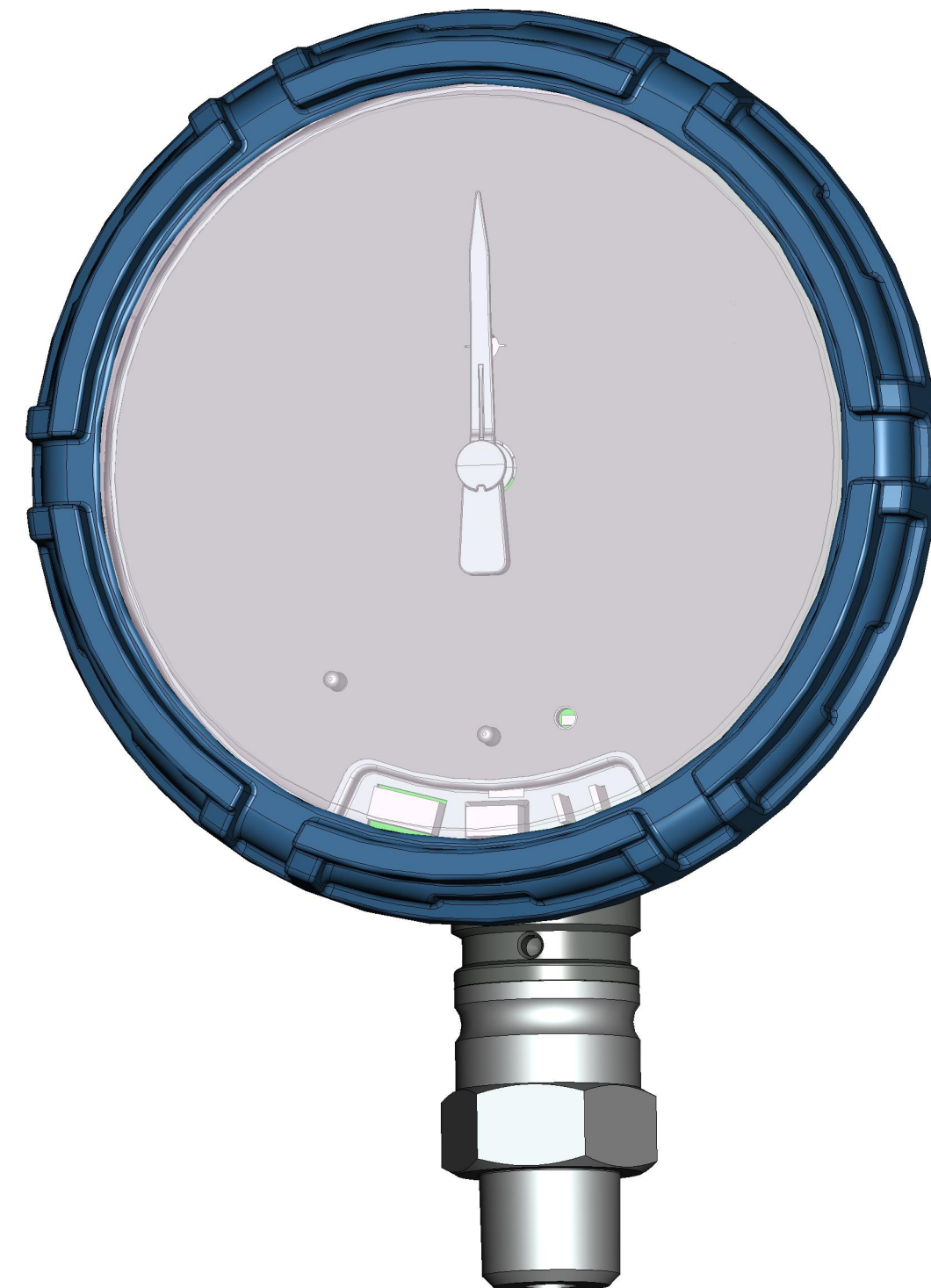


ROSEMOUNT SPG WIRELESS PRESSURE GAUGE
1/2 INCH PROCESS CONNECTION SHOWN

REVISION TABLE			
REVISION	ECO NO.	APP'D	DATE
AD	RTC1075492	M. FLESCH	6/20/20
DESCRIPTION			
ADD 1-FLANGE			



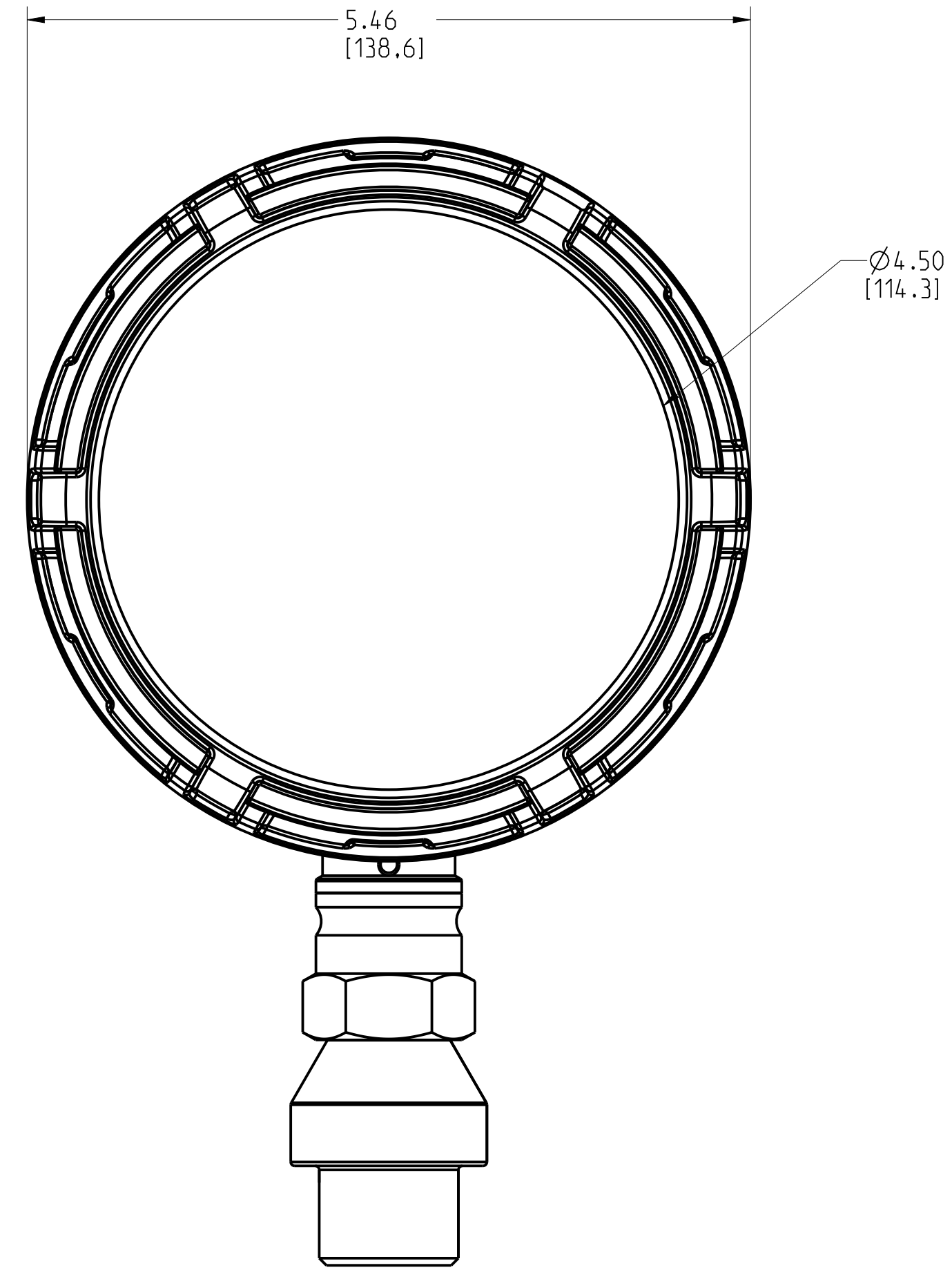
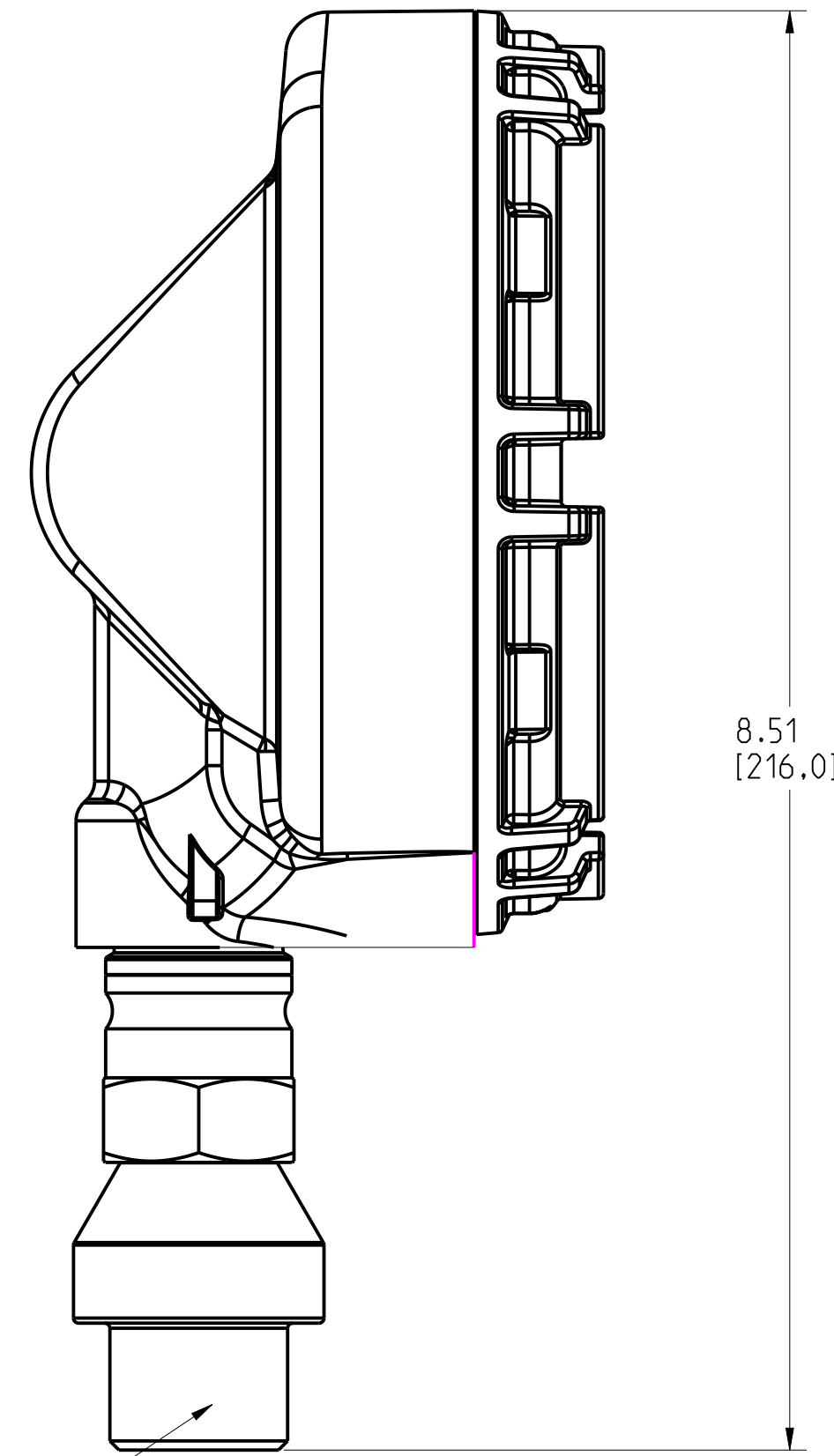
1/2" NPT



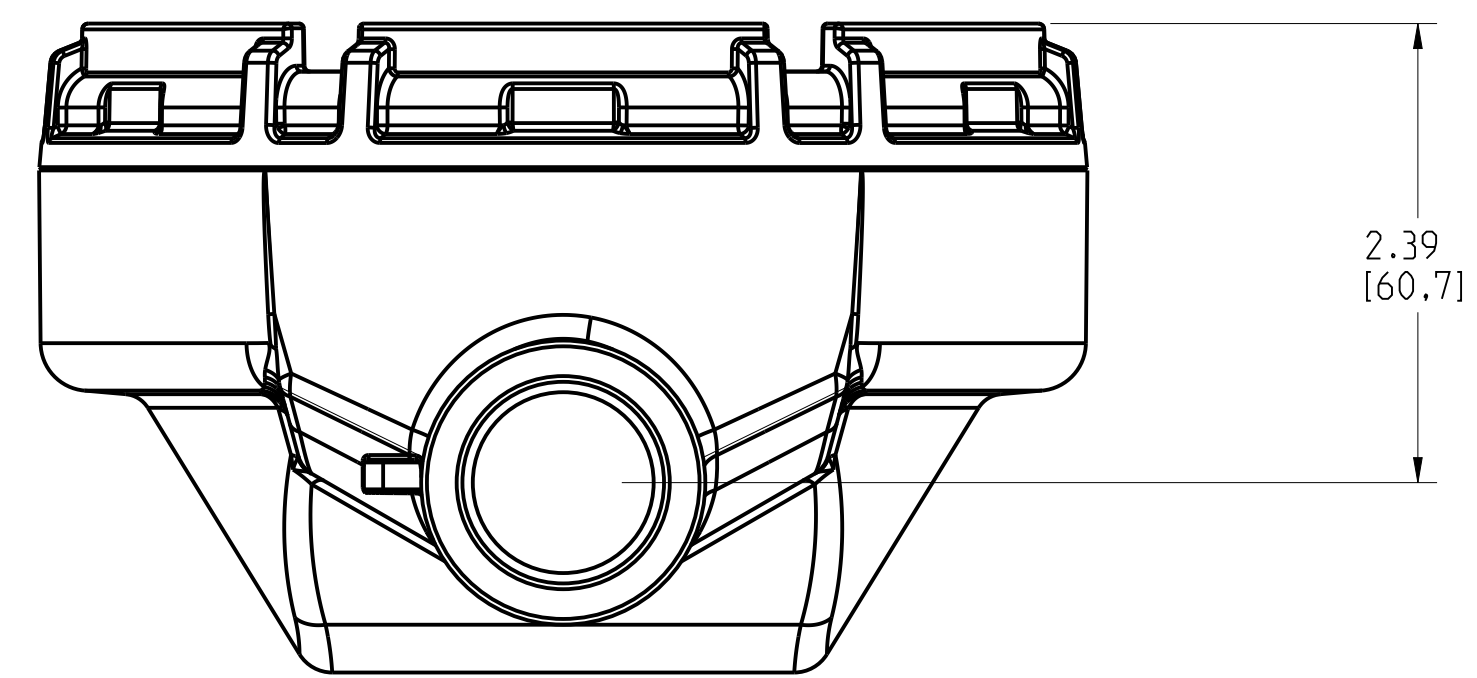
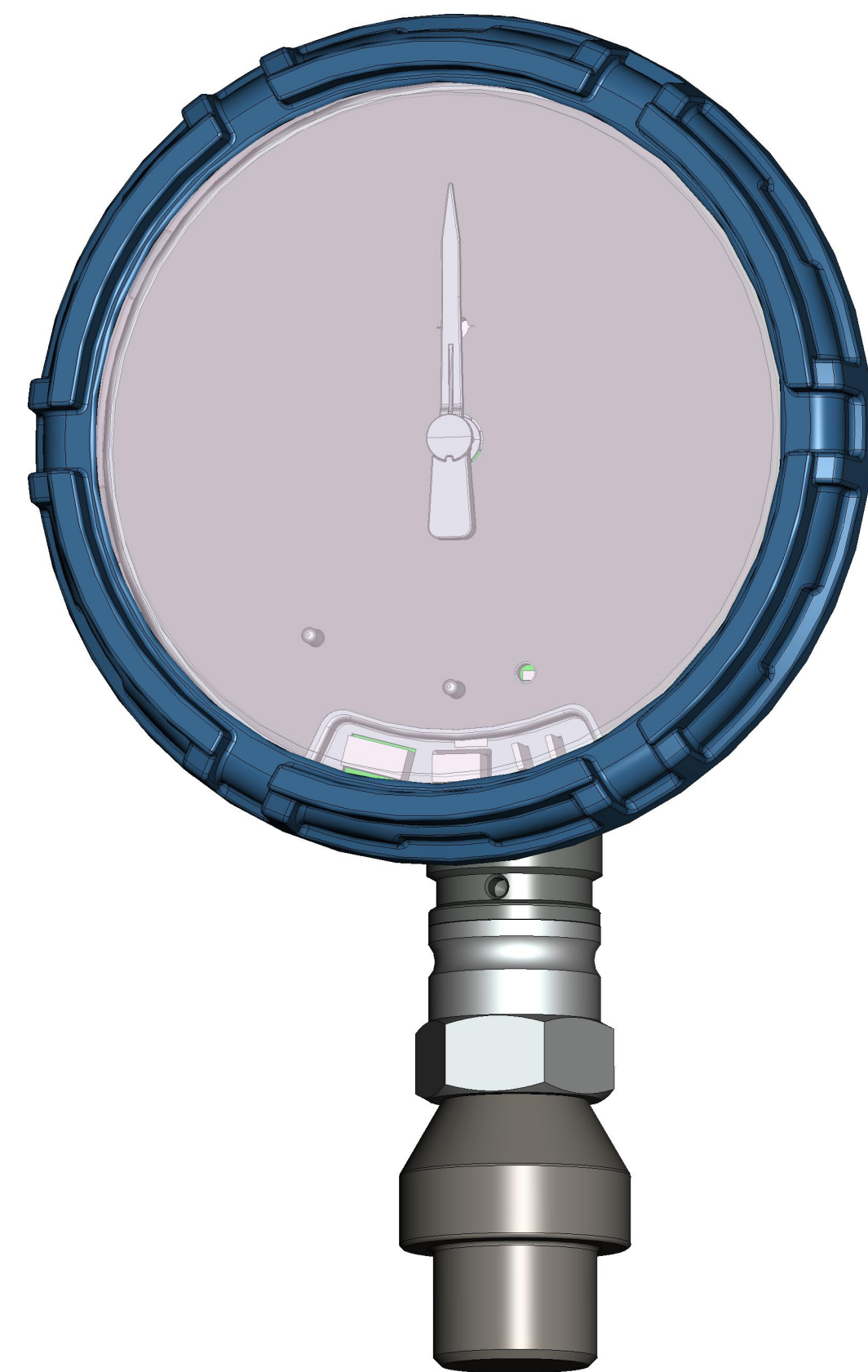
©2015 ROSEMOUNT, INC.
ROSEMOUNT AND CLEARVIEW
ARE TRADEMARKS OF ROSEMOUNT
ENGINEERING IN ACCORDANCE WITH
ROSEMOUNT ENGINEERING
SPECIFICATIONS.
UNIT NOTES IN INCHES (mm).
REFERENCE ROSEMOUNT
PRODUCT SPECIFICATIONS.
CLICK HERE

		3RD ANGLE		SIZE D	SCALE NTS
ROSEMOUNT SPG TYPE I DRAWING					
DR. J. ARMSTRONG	5/19/16	DRAWING NO.		SPG-7000	
APP'D J. VANDERAA	5/2016				
CAD MAINTAINED: (PRO/E)				SHEET 1 OF 6	

ROSEMOUNT SPG WIRELESS PRESSURE GAUGE
3/4 INCH PROCESS CONECTION



3/4" NPT



©2015 ROSEMOUNT, INC.
ROSEMOUNT AND ALL OTHER TRADE NAMES
IN THIS DRAWING ARE USED IN
ACCORDANCE WITH
ROSEMOUNT ENGINEERING
SPECIFICATIONS.
UNIT NOTES IN INCHES (mm).

REFERENCE ROSEMOUNT
PRODUCT SPECIFICATIONS.
CLICK HERE

3RD ANGLE

EMERSON

TITLE
ROSEMOUNT SPG
TYPE I DRAWING

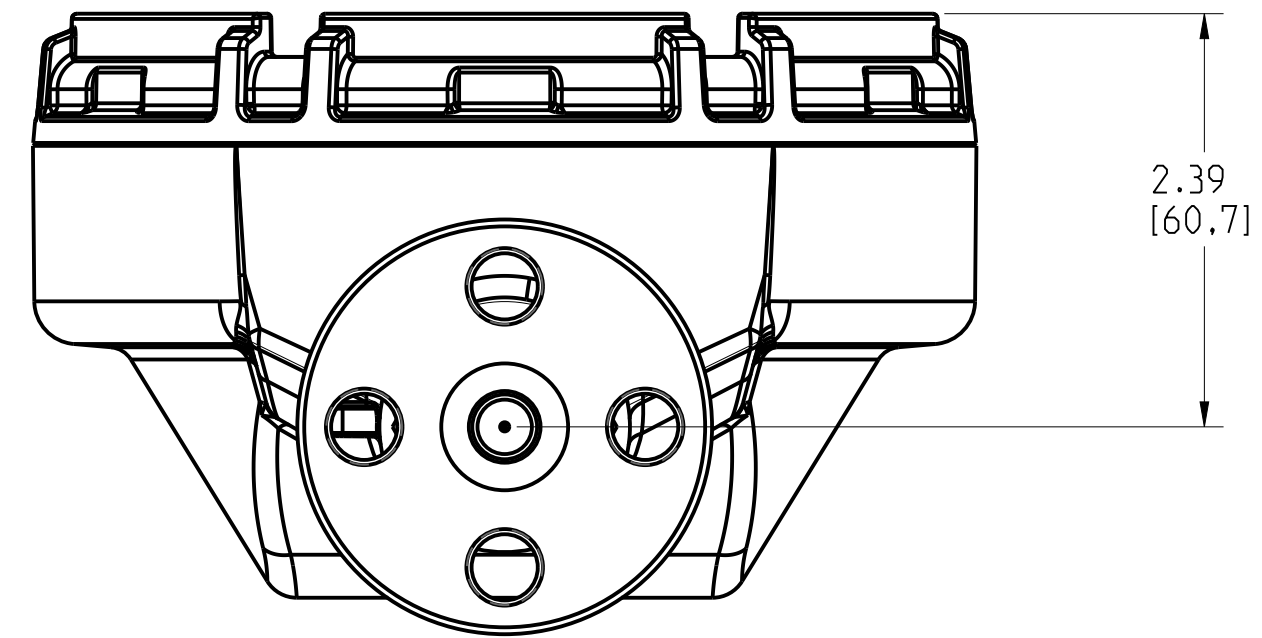
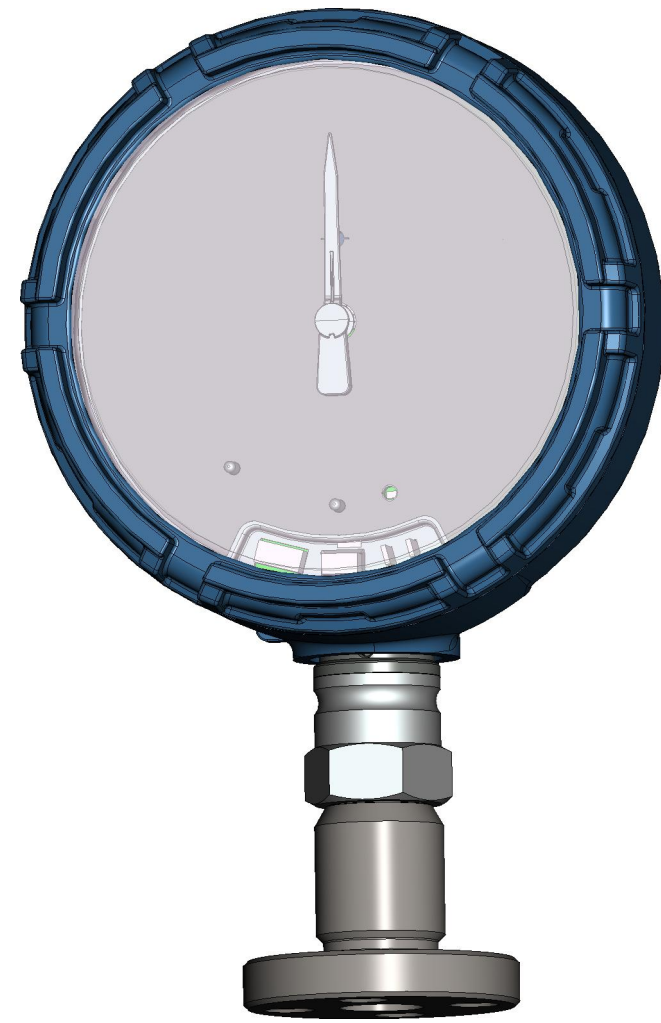
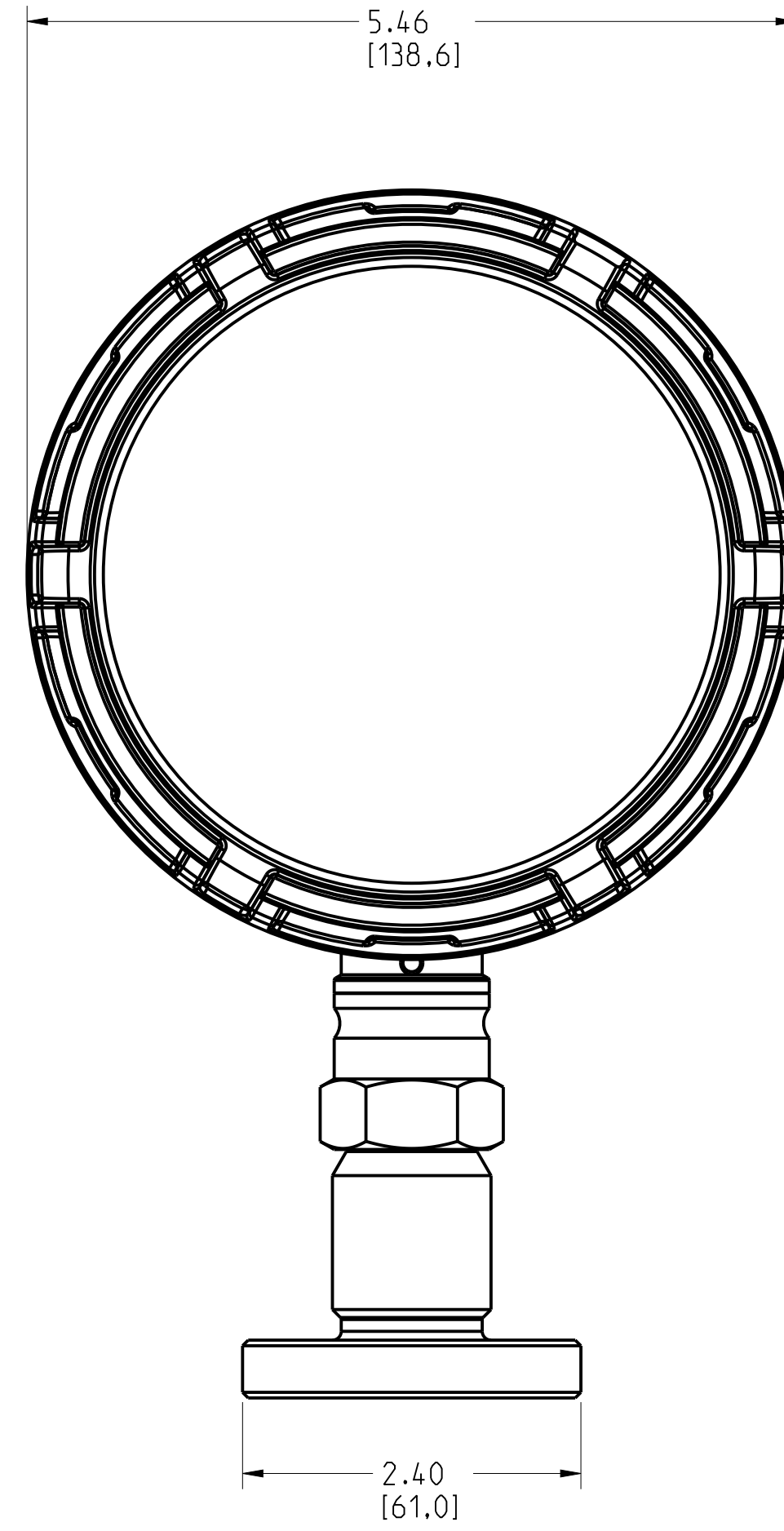
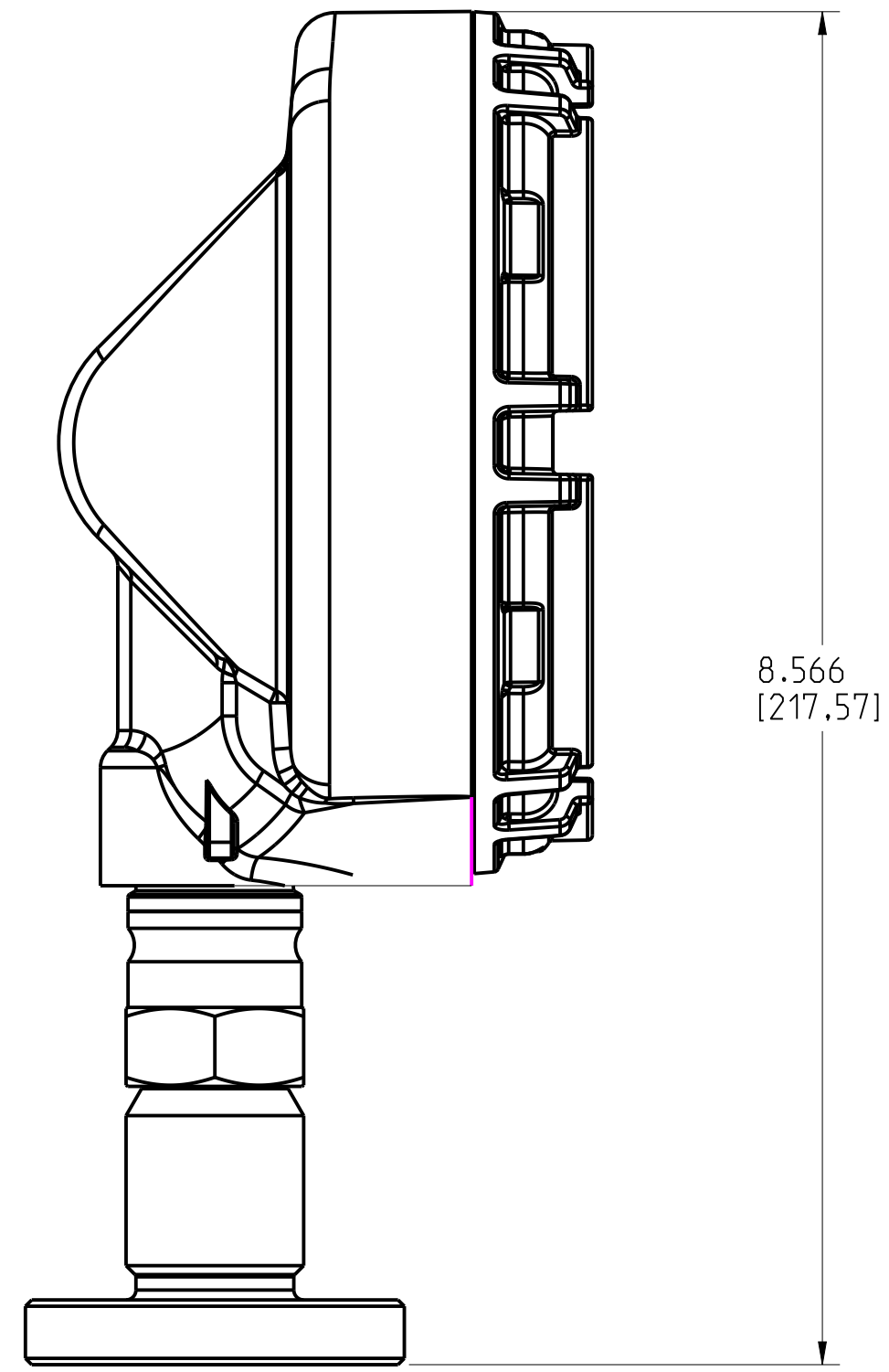
DR. J. ARMSTRONG 5/19/16 DRAWING NO.
APP'D J. VANDERAA 5/2016

SIZE D SCALE NTS

SPG-7000

CAD MAINTAINED (PRO/E) SHEET 2 OF 6

ROSEMOUNT SPG WIRELESS PRESSURE GAUGE
WITH I-FLANGE PRESSURE GAUGE



©2015 ROSEMOUNT, INC.
ROSEMOUNT AND ALL OTHER TRADE NAMES
IN THIS DRAWING ARE USED IN
ACCORDANCE WITH
ROSEMOUNT ENGINEERING
SPECIFICATIONS.
UNIT NOTES IN INCHES (mm).

REFERENCE ROSEMOUNT
PRODUCT SPECIFICATIONS.
CLICK HERE

3RD ANGLE

EMERSON

TITLE
ROSEMOUNT SPG
TYPE I DRAWING

DR. J. ARMSTRONG 5/19/16 DRAWING NO.
APP'D J. VANDERAA 5/2016

SIZE D SCALE NTS

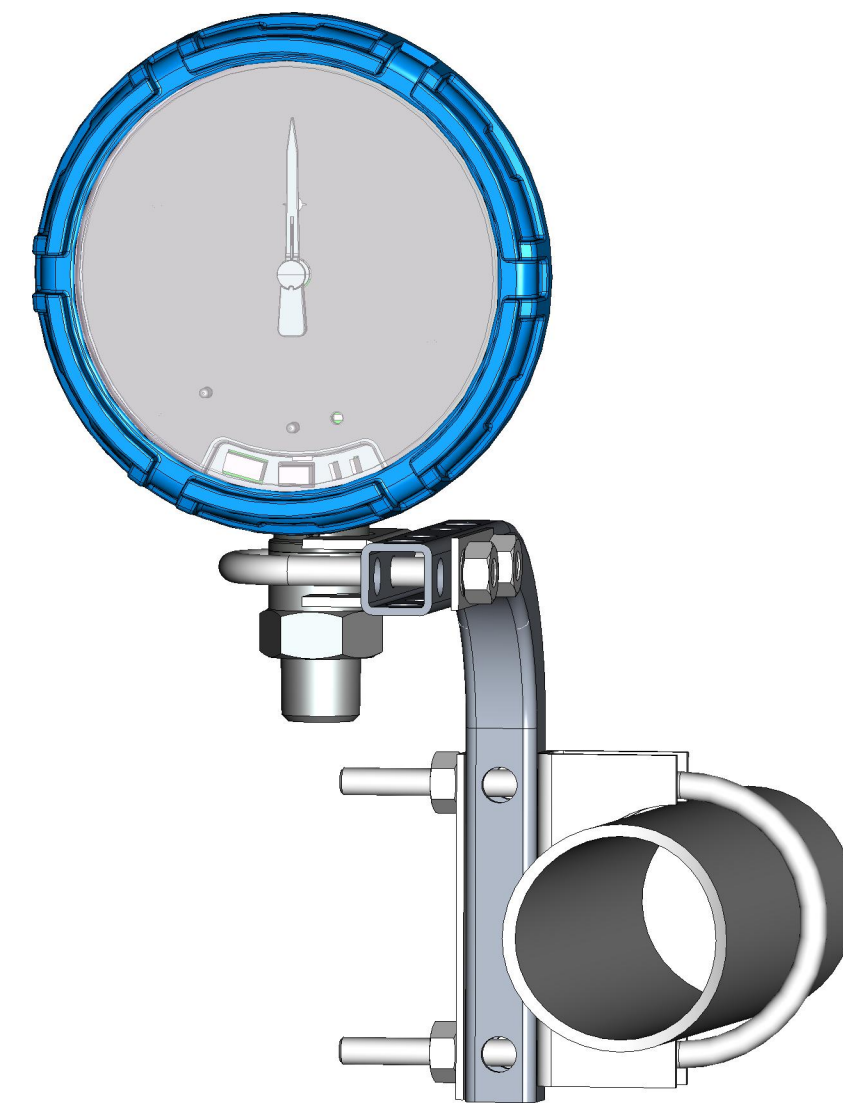
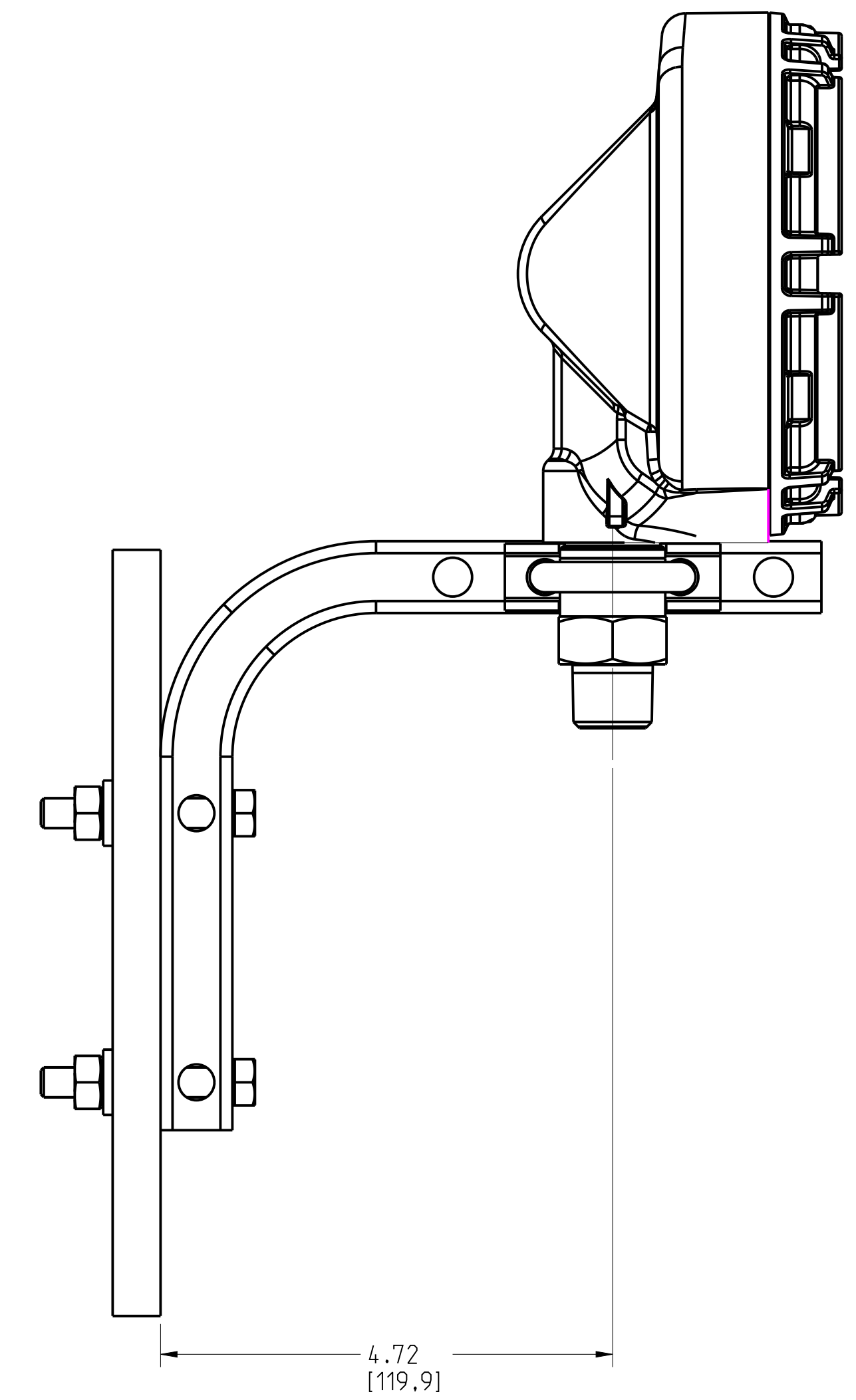
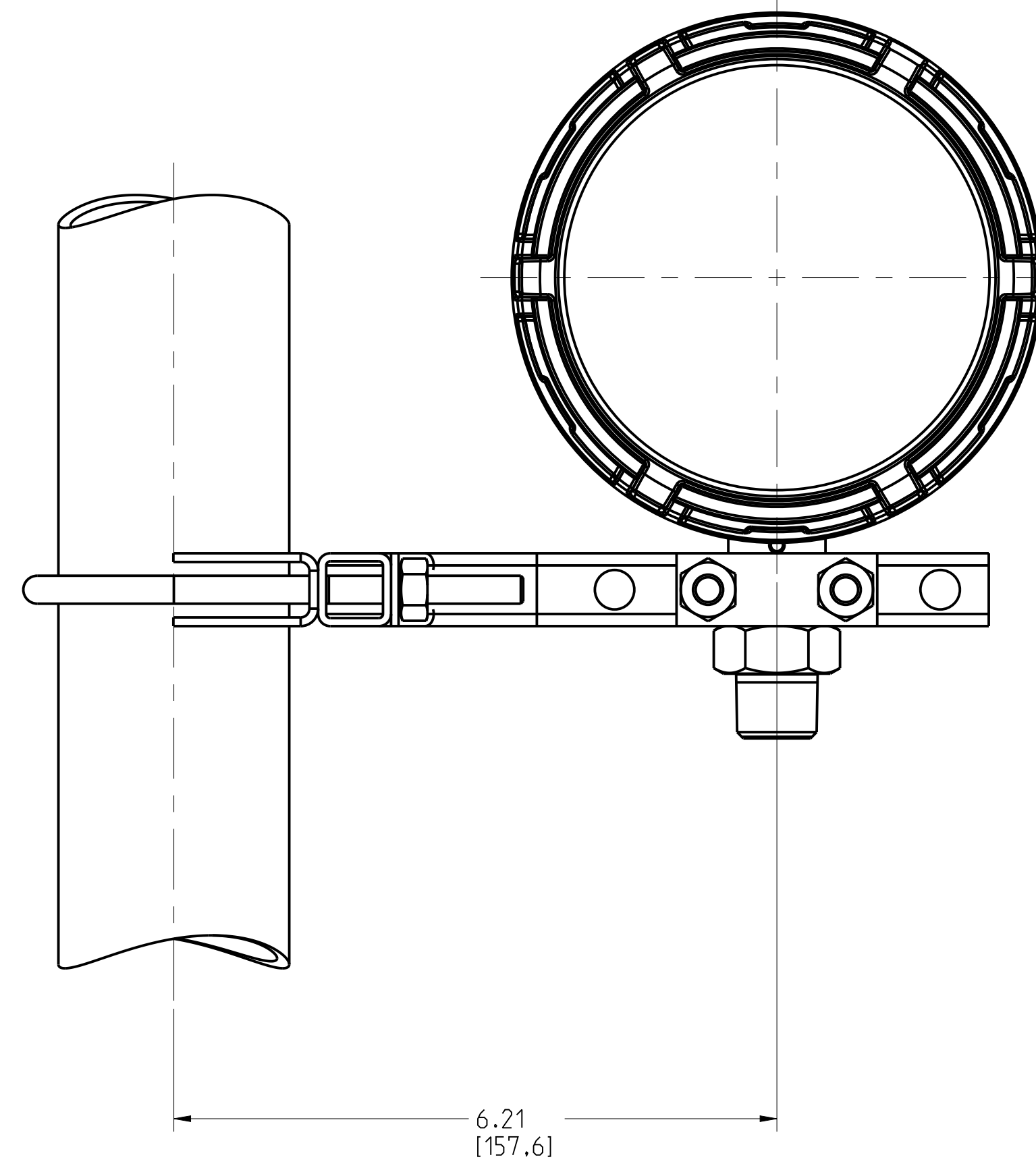
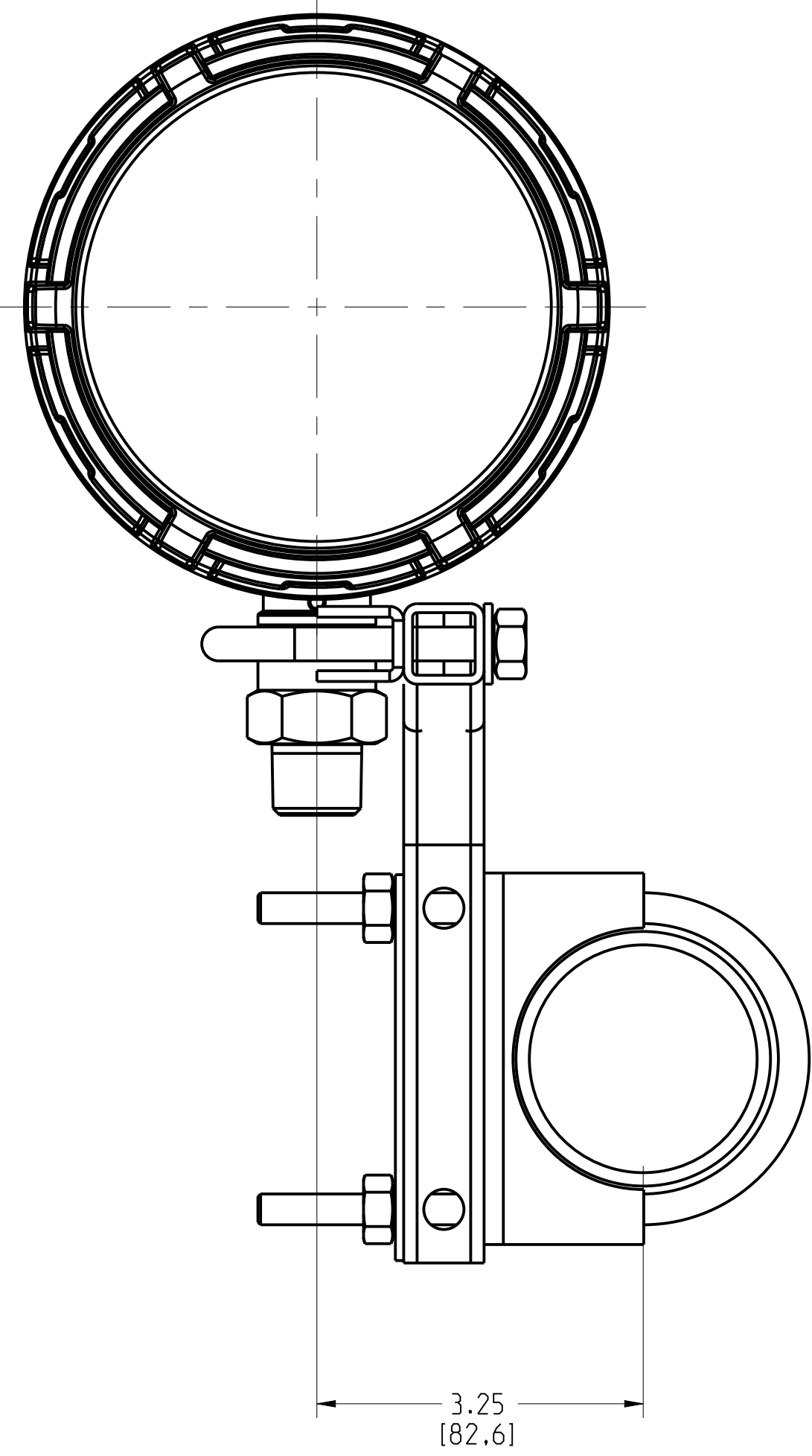
SPG-7000

CAD MAINTAINED (PRO/EI) SHEET 3 OF 6

ROSEMOUNT SPG WIRELESS PRESSURE GAUGE
MOUNTING CONFIGURATIONS (B4 BRACKET)

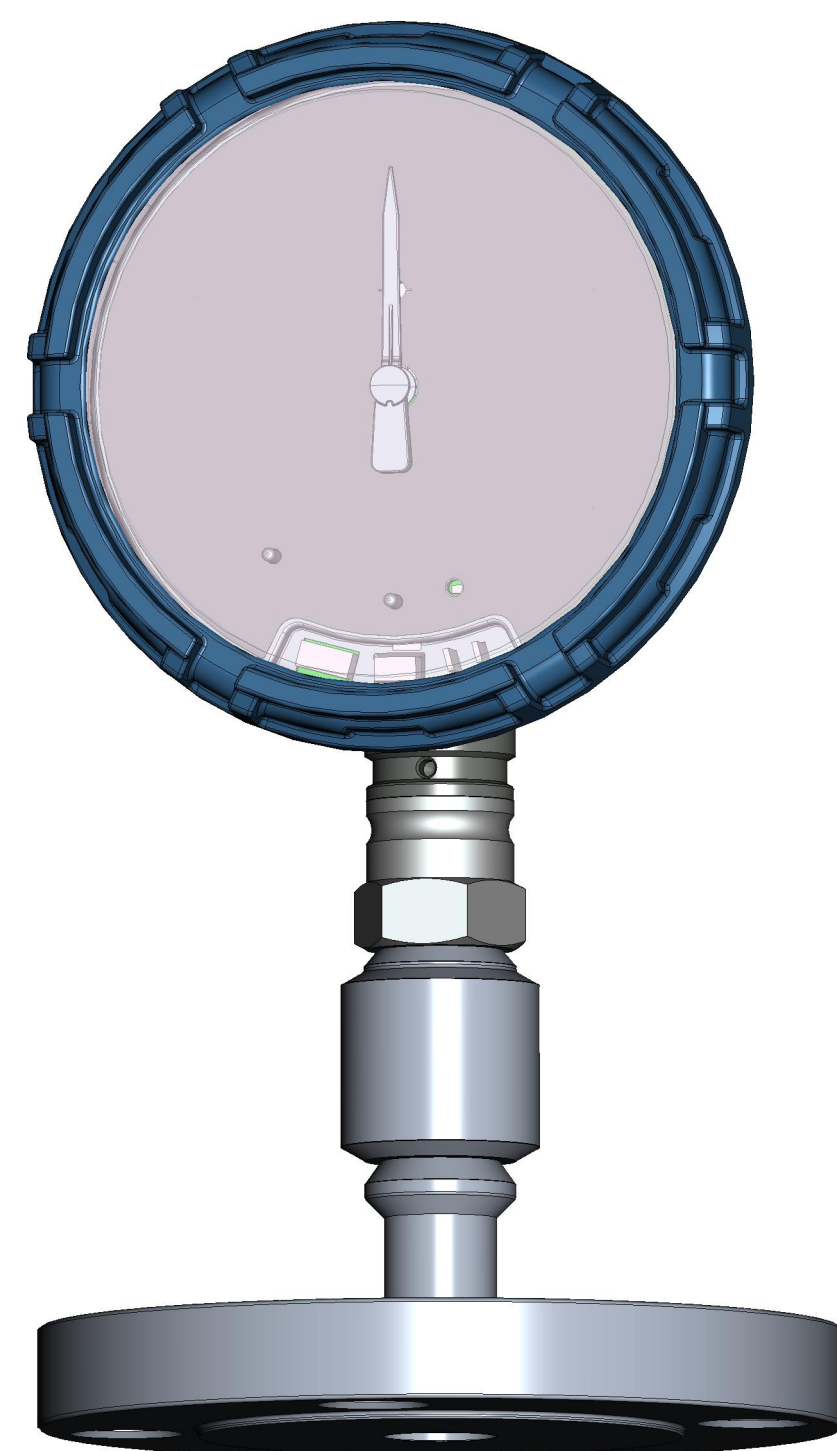
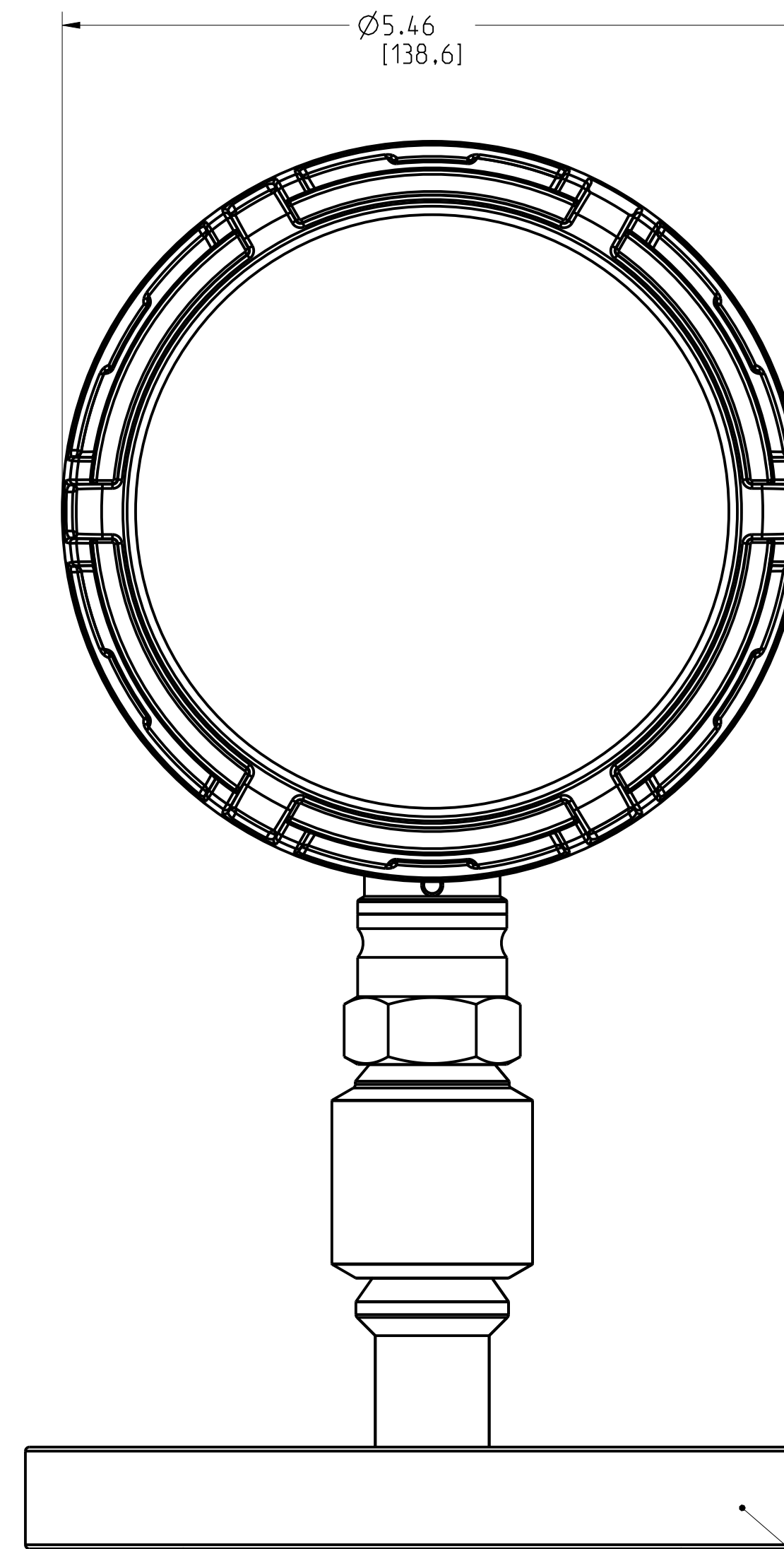
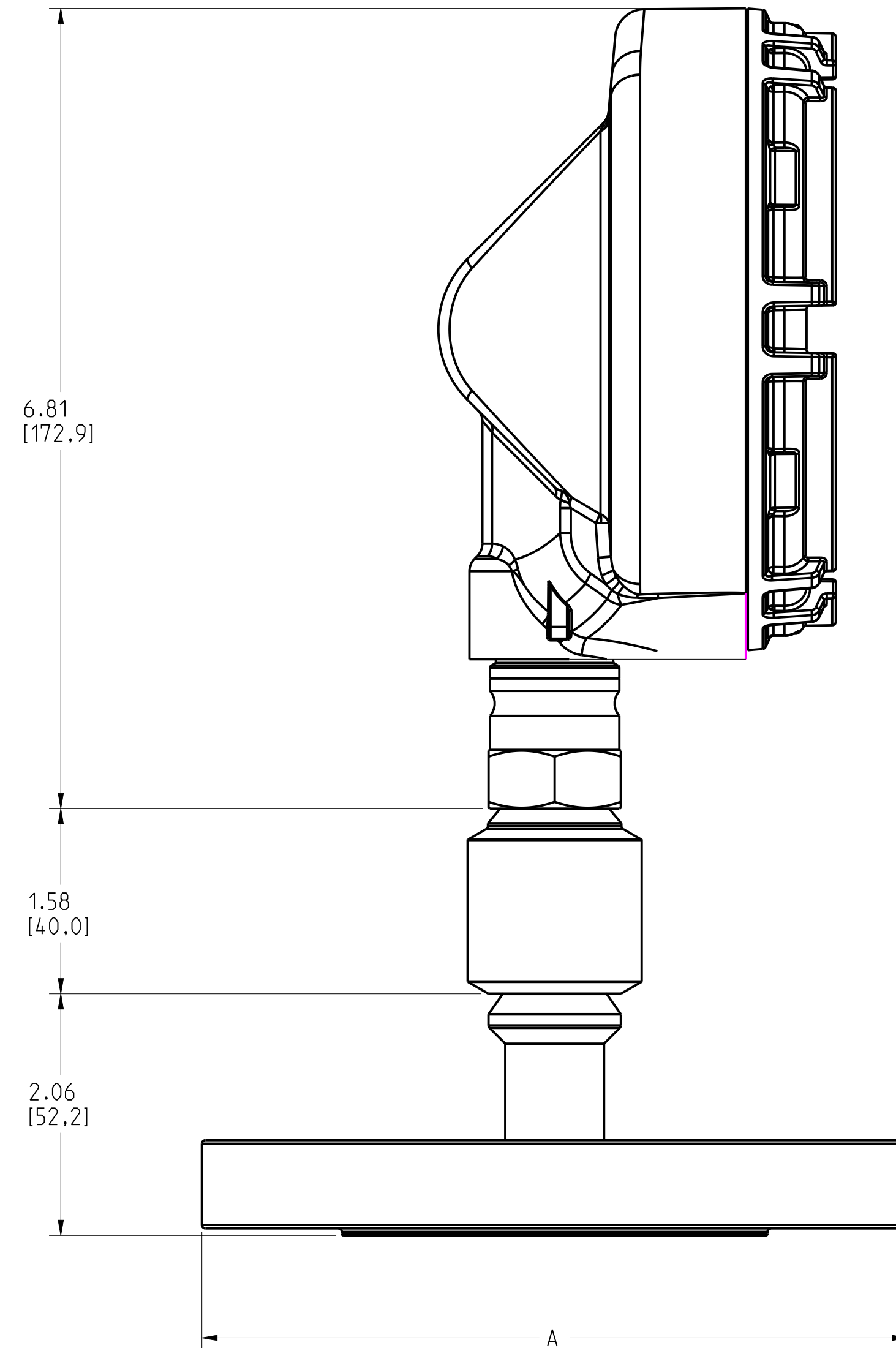
PIPE MOUNTING

PANEL MOUNTING

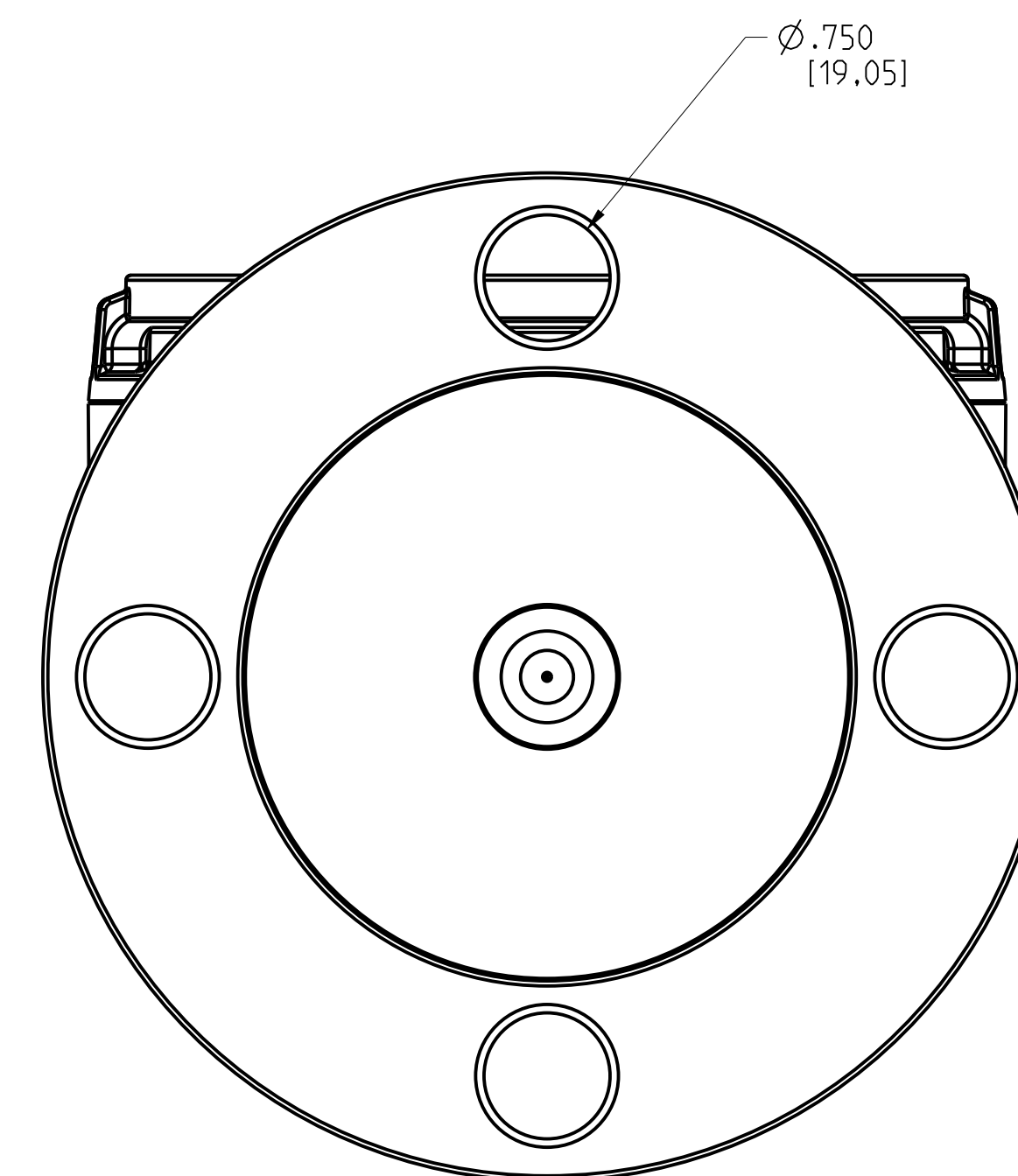


<small>©2015 ROSEMOUNT, INC. ROSEMOUNT INC. CLAIMS THESE DRAWINGS ARE MADE IN ACCORDANCE WITH ROSEMOUNT ENGINEERING SPECIFICATIONS. UNIT NOTES IN INCHES (mm). REFERENCE ROSEMOUNT PRODUCT SPECIFICATIONS FOR PRODUCT SPECIFICATIONS. CLICK HERE</small>	<small>3RD ANGLE</small>	<small>SIZE</small> D	<small>SCALE</small> NTS
	TITLE ROSEMOUNT SPG TYPE I DRAWING		
	<small>DR. J. ARMSTRONG</small>	<small>5/19/16</small>	<small>DRAWING NO.</small>
<small>APP'D J. VANDERAA</small>	<small>5/2016</small>	<small>CAD MAINTAINED (PRO/E)</small>	
			<small>SHEET 4 OF 6</small>

ROSEMOUNT SPG WIRELESS PRESSURE GAUGE
WITH WELDED LEVEL FLANGE



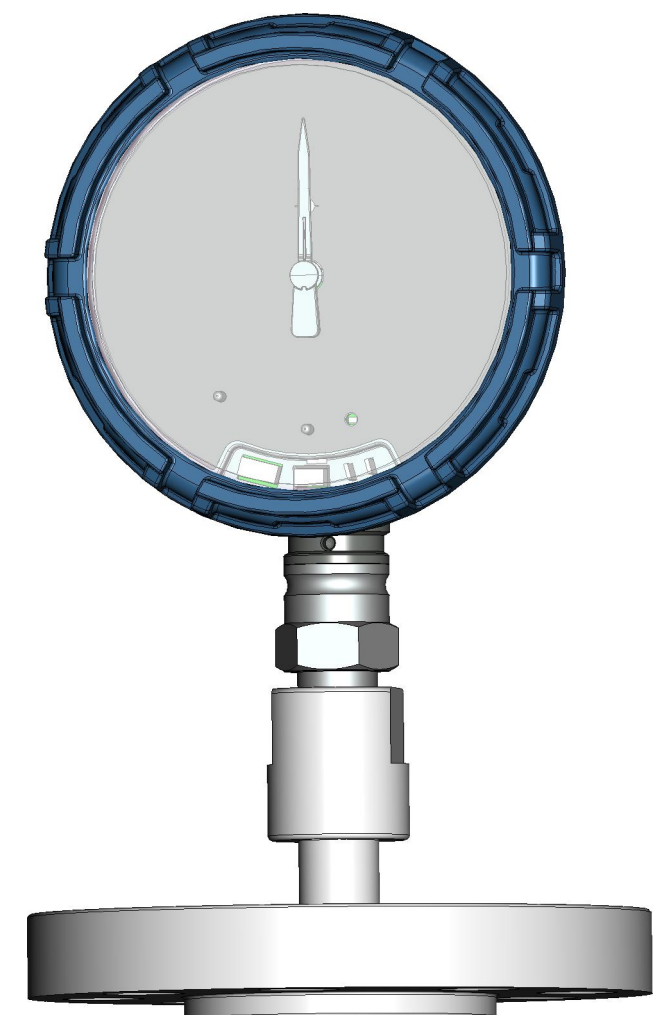
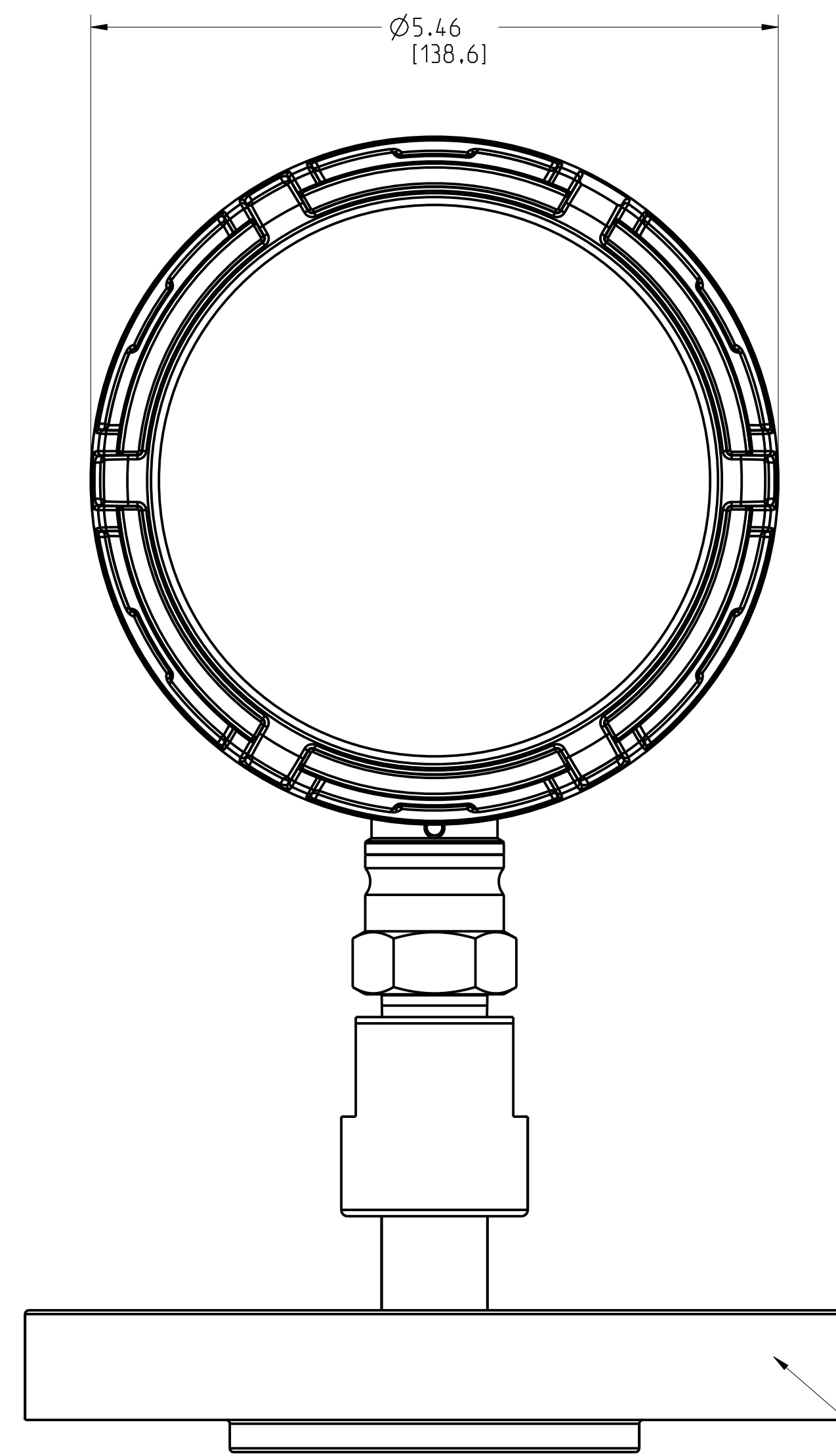
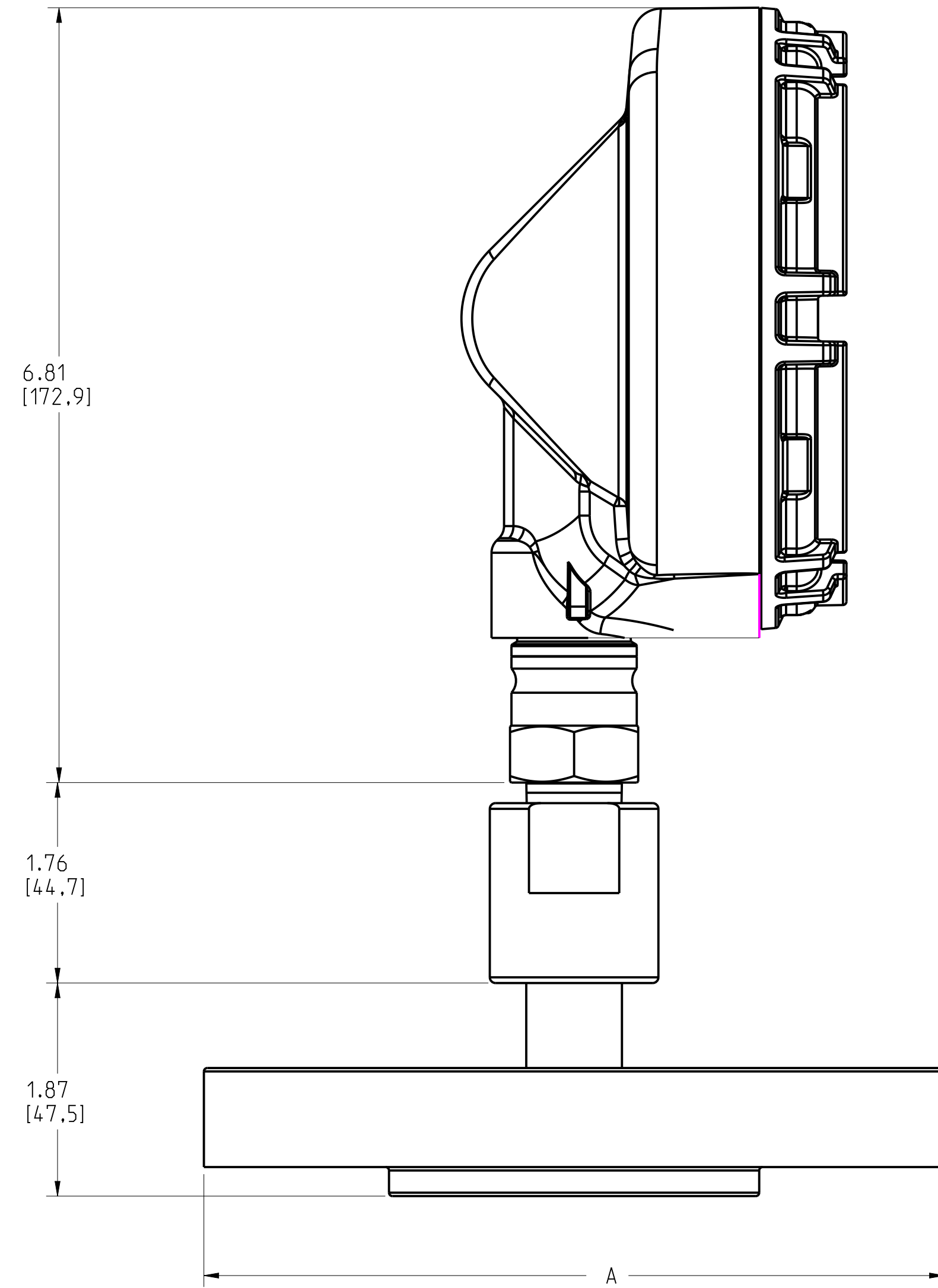
FLANGE SIZE	DIM A
1" 150#	4.25 [107.9]
1" 300#	4.88 [123.9]
2" 150#	6.00 [152.4]
2" 300#	6.50 [165]
3" 150#	7.50 [190.5]
3" 300#	8.50 [209.6]
DIN-DN 50	6.50 [165]
DIN-DN 80	7.87 [199.9]



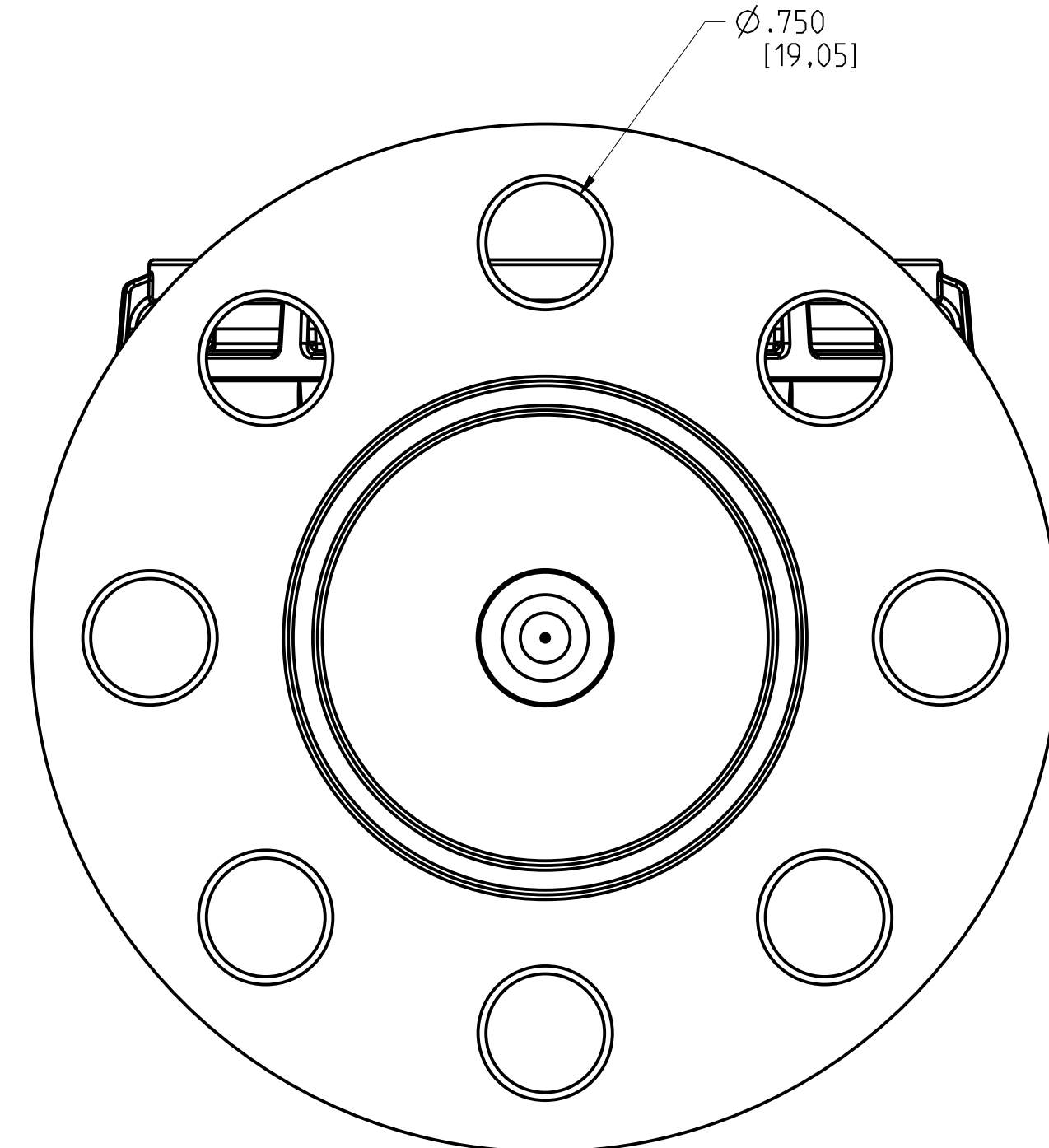
©2015 ROSEMOUNT, INC.
ROSEMOUNT AND ALL OTHER
TRADEMARKS ARE THE PROPERTY OF
ROSEMOUNT ENGINEERING
SPECIFICATIONS.
UNIT NOTES IN INCHES (mm).
REFERENCE ROSEMOUNT
PRODUCT SPECIFICATIONS.
CLICK HERE

		3RD ANGLE		SIZE D	SCALE NTS
TITLE ROSEMOUNT SPG TYPE I DRAWING					
DR. J. ARMSTRONG	5/19/16	DRAWING NO.		SPG-7000	
APP'D J. VANDERAA	5/2016			SHEET 5 OF 6	
CAD MAINTAINED (PRO/E)					

ROSEMOUNT SPG WIRELESS PRESSURE GAUGE WITH THREADED LEVEL FLANGE



FLANGE SIZE		DIM A
1" 150#		4.25 [107.9]
1" 300#		4.88 [123.9]
2" 150#		6.00 [152.4]
2" 300#		6.50 [165]
3" 150#		7.50 [190.5]
3" 300#		8.50 [209.6]
DIN-DN 50		6.50 [165]
DIN-DN 80		7.87 [199.9]



3-IN. ANSI CLASS 300
FLANGE SHOWN

©2015 ROSEMOUNT, INC.
ROSEMOUNT AND ALL OTHER
TRADEMARKS ARE REGISTERED IN
THESE DRAWINGS IN ACCORDANCE WITH
ROSEMOUNT ENGINEERING
SPECIFICATIONS.
UNIT NOTES IN INCHES (mm).

REFERENCE ROSEMOUNT
PRODUCT SPECIFICATIONS.
CLICK HERE

3RD ANGLE

EMERSON

TITLE
**ROSEMOUNT SPG
TYPE I DRAWING**

DR. J. ARMSTRONG 5/19/16 DRAWING NO.
APP'D J. VANDERAA 5/2016

SIZE D SCALE NTS

SPG-7000

CAD MAINTAINED (PRO/EI) SHEET 6 OF 6