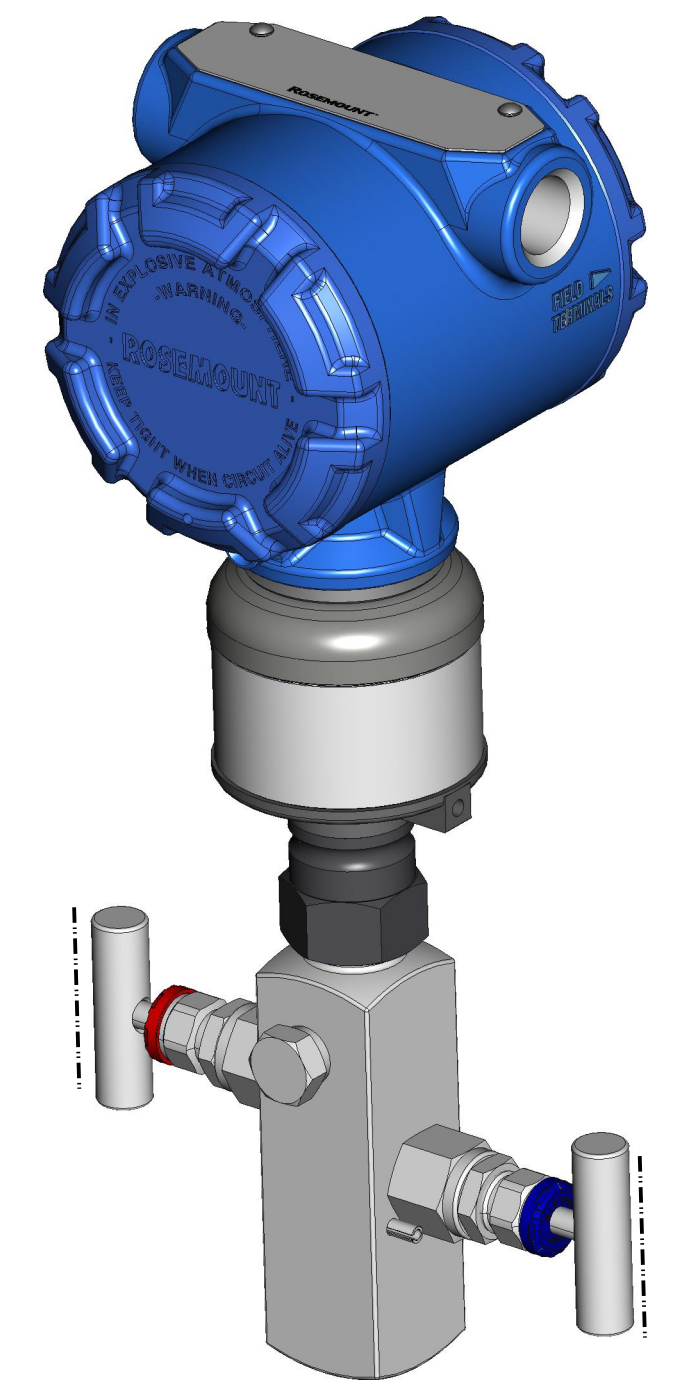
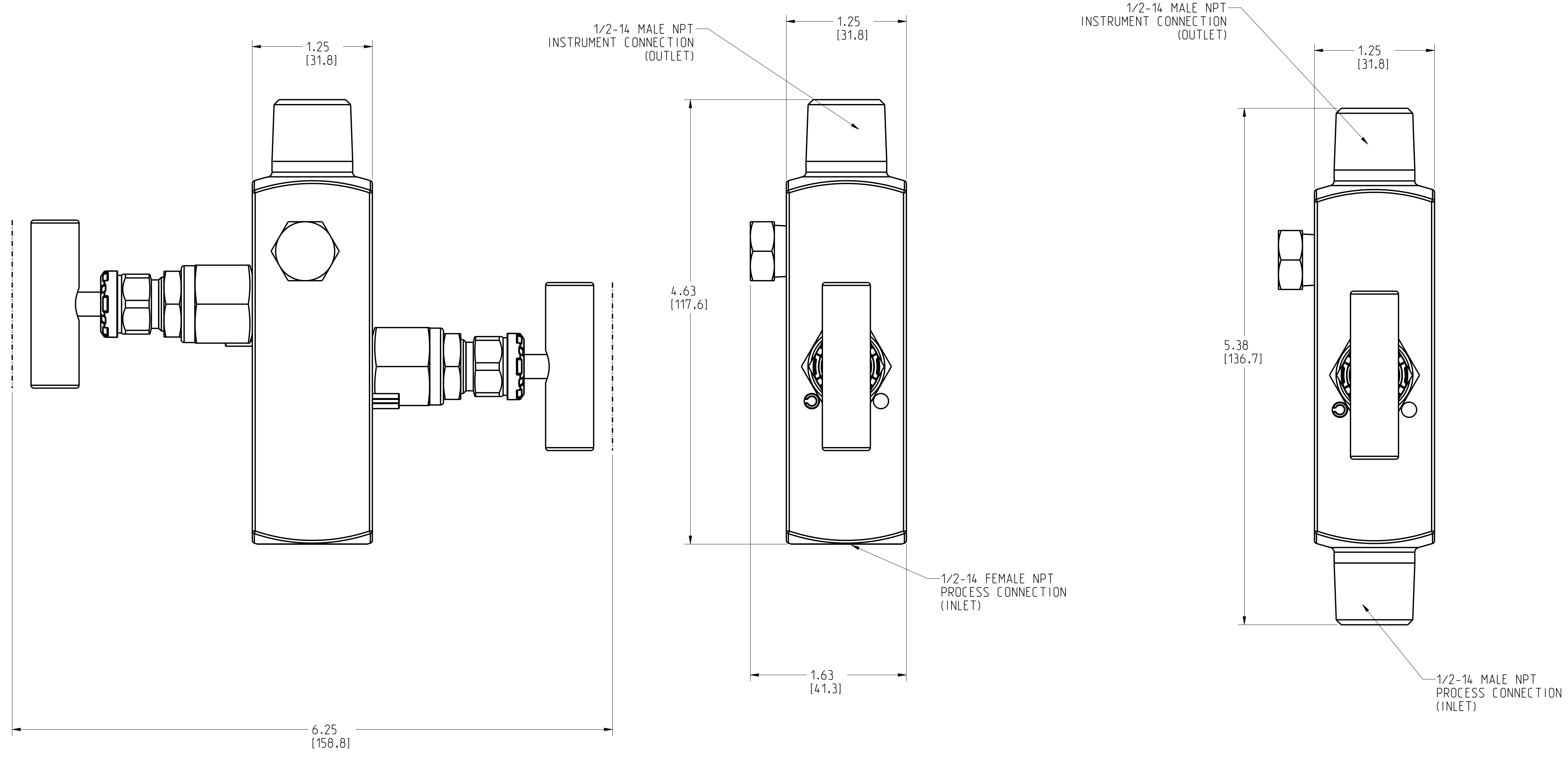


# ROSEMOUNT R306ET2 ENHANCED TWO VALVE INLINE STYLE MANIFOLD

REVISION TABLE			
REVISION	ECO NO.	APP'D	DATE
AB	RTC1080786	B. BECKER	4/26/23
DESCRIPTION			
ADD MORE EXISTING MANIFOLDS TO THE DRAWING P. 1-3			



©2015 ROSEMOUNT, INC.  
ROSEMOUNT INCORPORATES  
THIS INFORMATION IN  
THIS DRAWING IN ACCORDANCE WITH  
ROSEMOUNT ENGINEERING  
SPECIFICATIONS.  
UNIT NOTES IN INCHES (mm).

REFERENCE ROSEMOUNT  
PRODUCT SHEETS FOR  
PRODUCT SPECIFICATIONS.  
CLICK HERE

3RD ANGLE

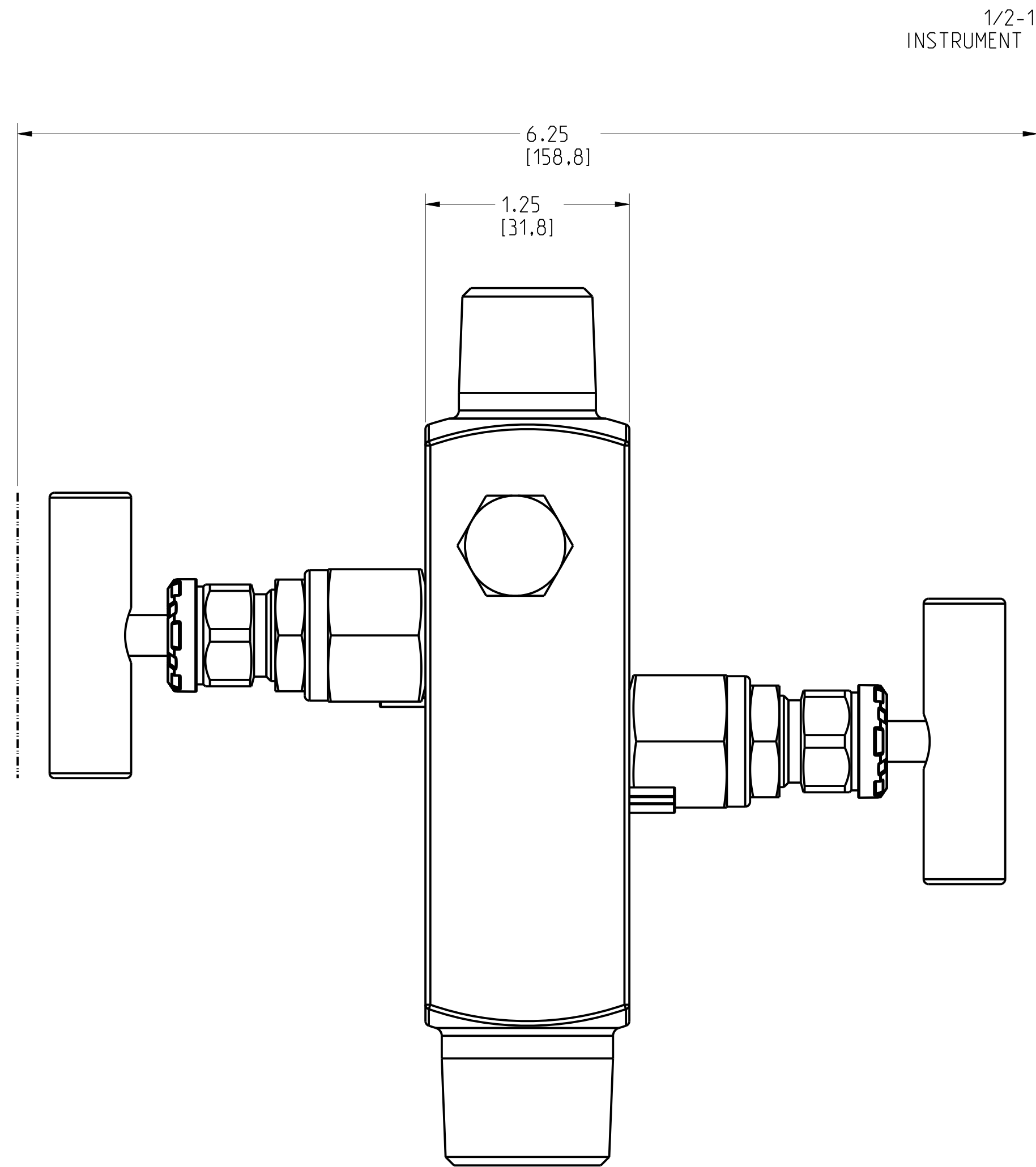
EMERSON

TITLE  
ROSEMOUNT R306ET  
MANIFOLD TYPE I DRAWING

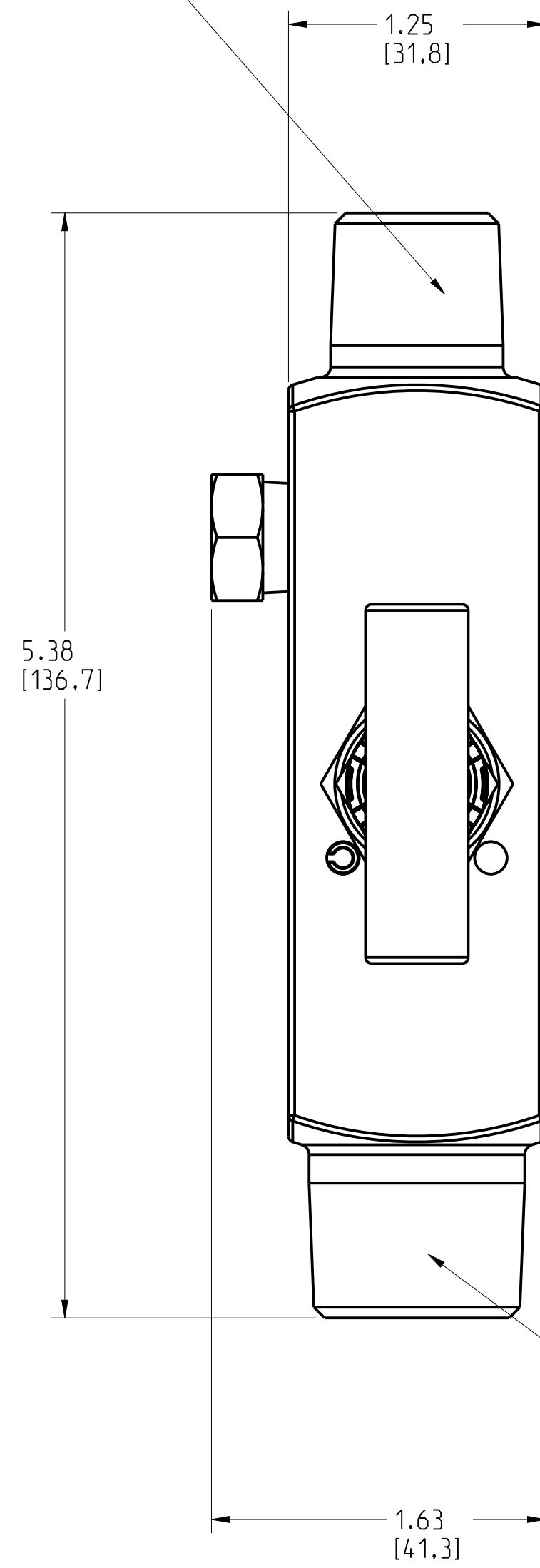
DR. J. ARMSTRONG 9/18/18 DRAWING NO.  
APP'D T STROTH 9/18/18 OR306-3007

CAD MAINTAINED. (PRO/E) SHEET 1 OF 5

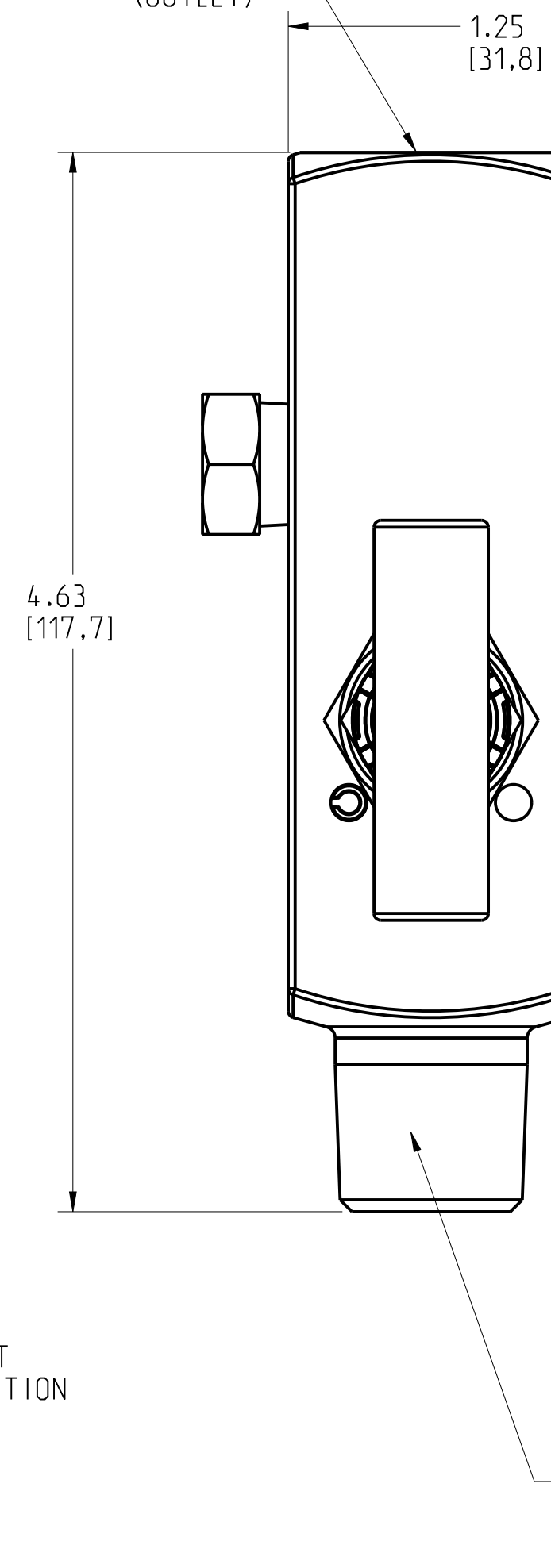
ROSEMOUNT R306ET2 ENHANCED TWO VALVE INLINE STYLE MANIFOLD



1/2-14 MALE NPT  
INSTRUMENT CONNECTION  
(OUTLET)

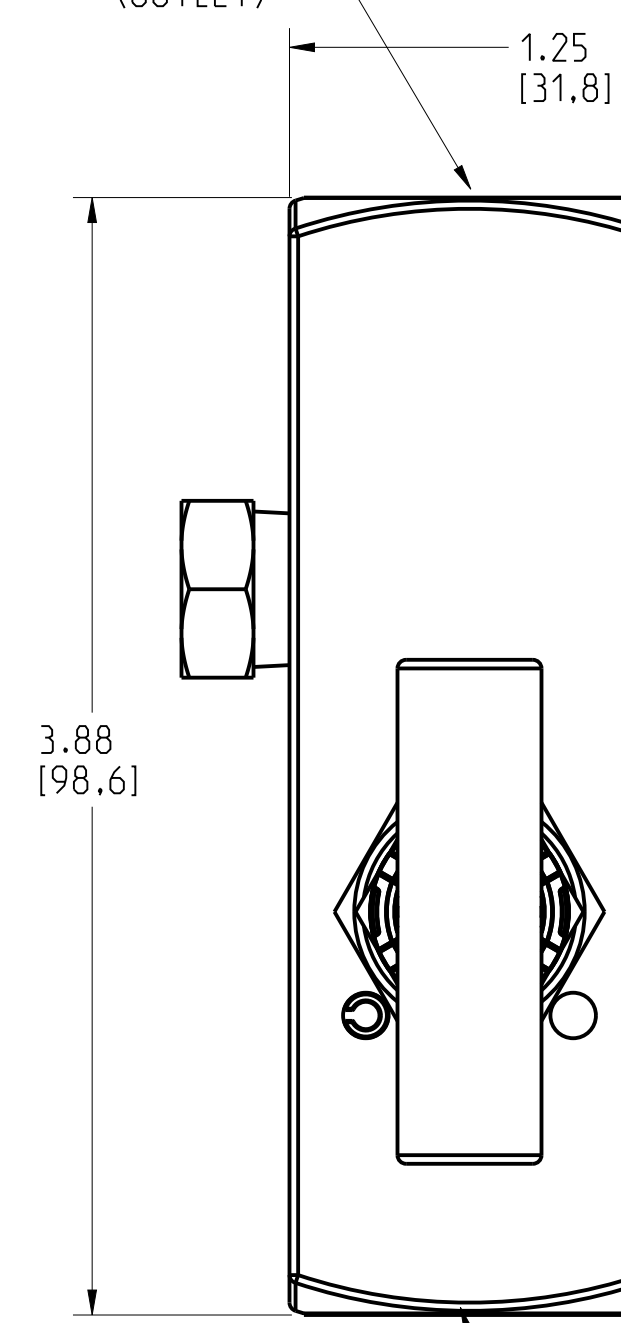


1/2-14 FEMALE NPT  
INSTRUMENT CONNECTION  
(OUTLET)

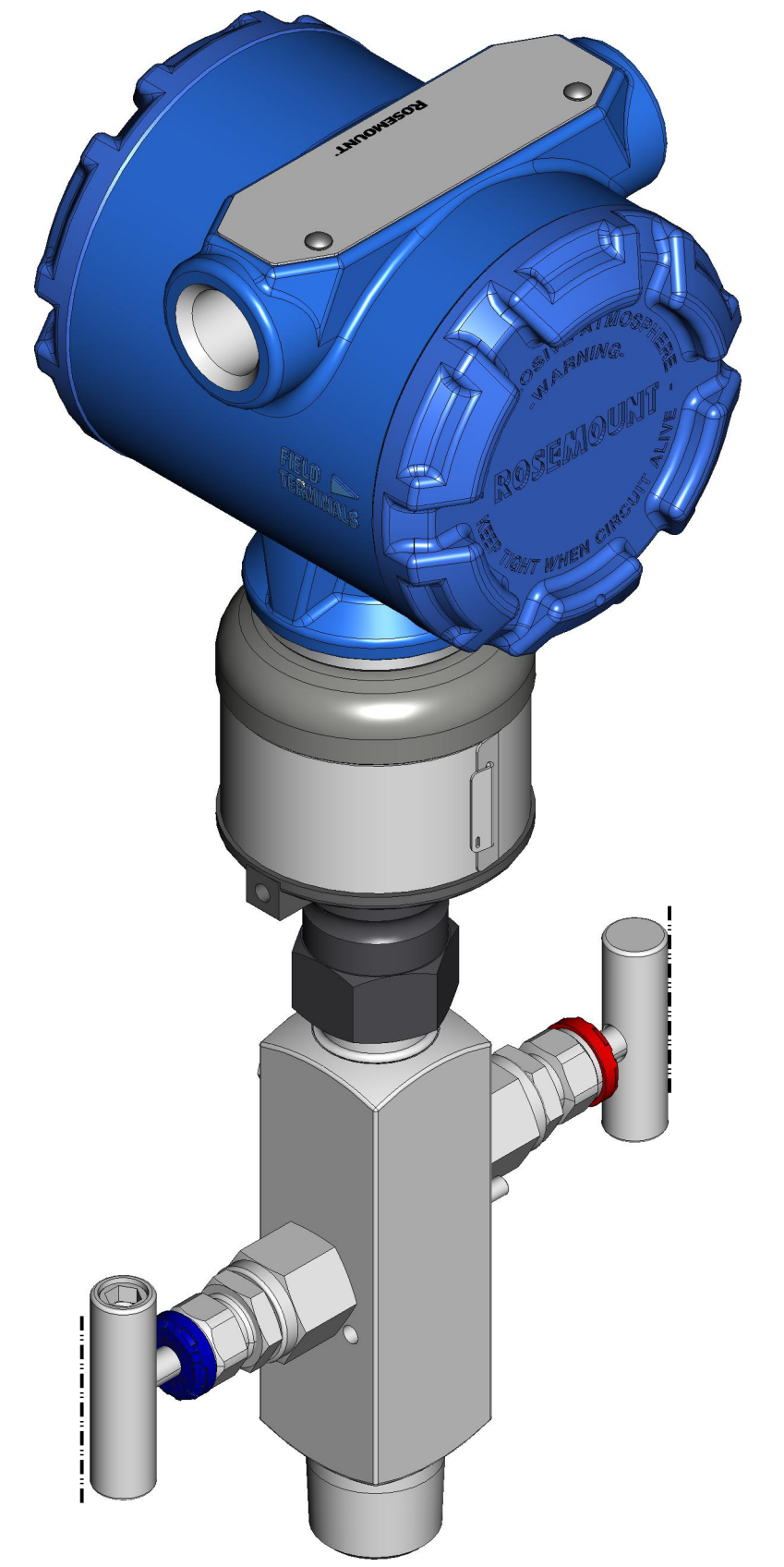


1/2-14 MALE NPT  
PROCESS CONNECTION  
(INLET)

1/2-14 FEMALE NPT  
INSTRUMENT CONNECTION  
(OUTLET)



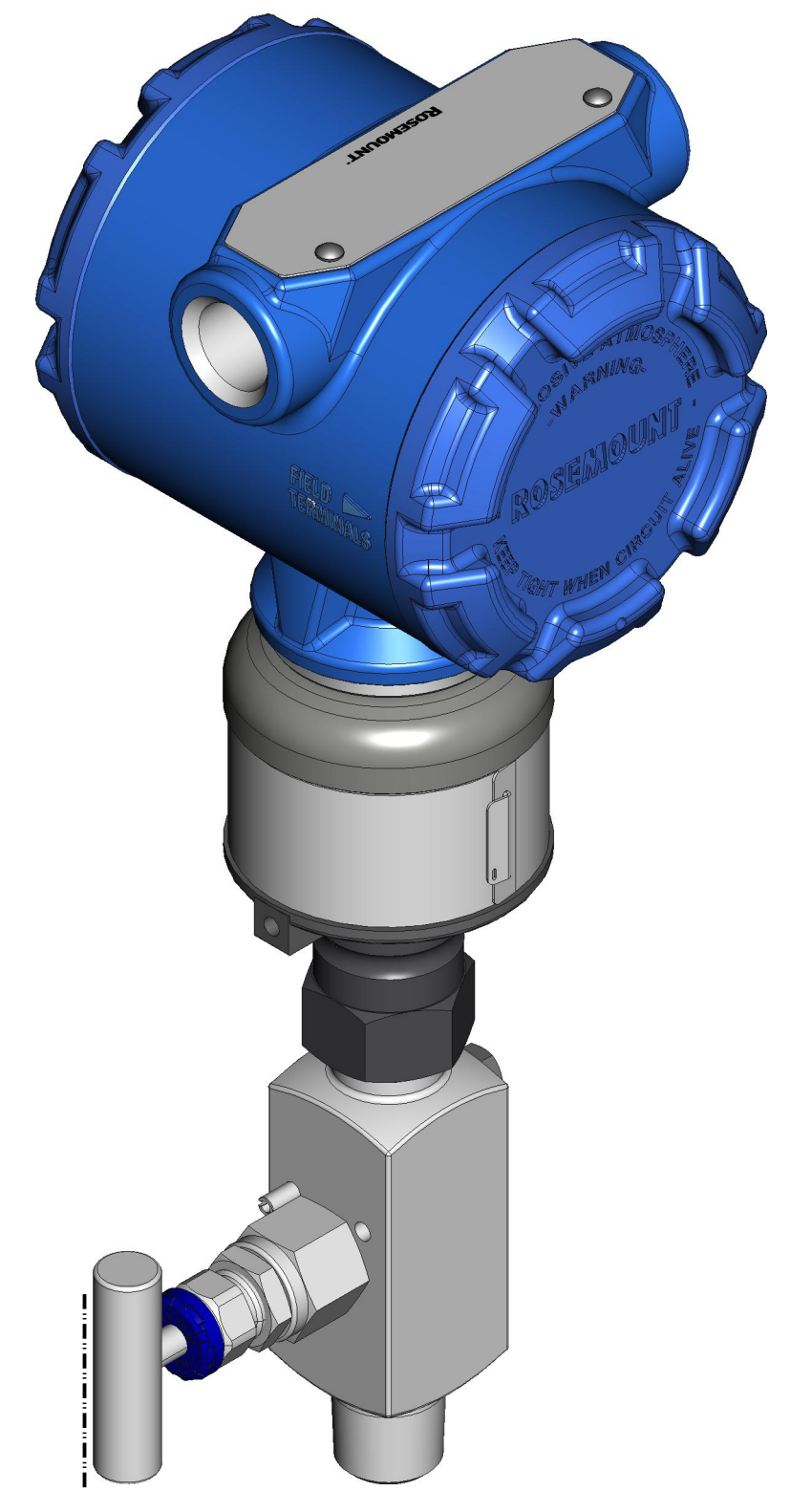
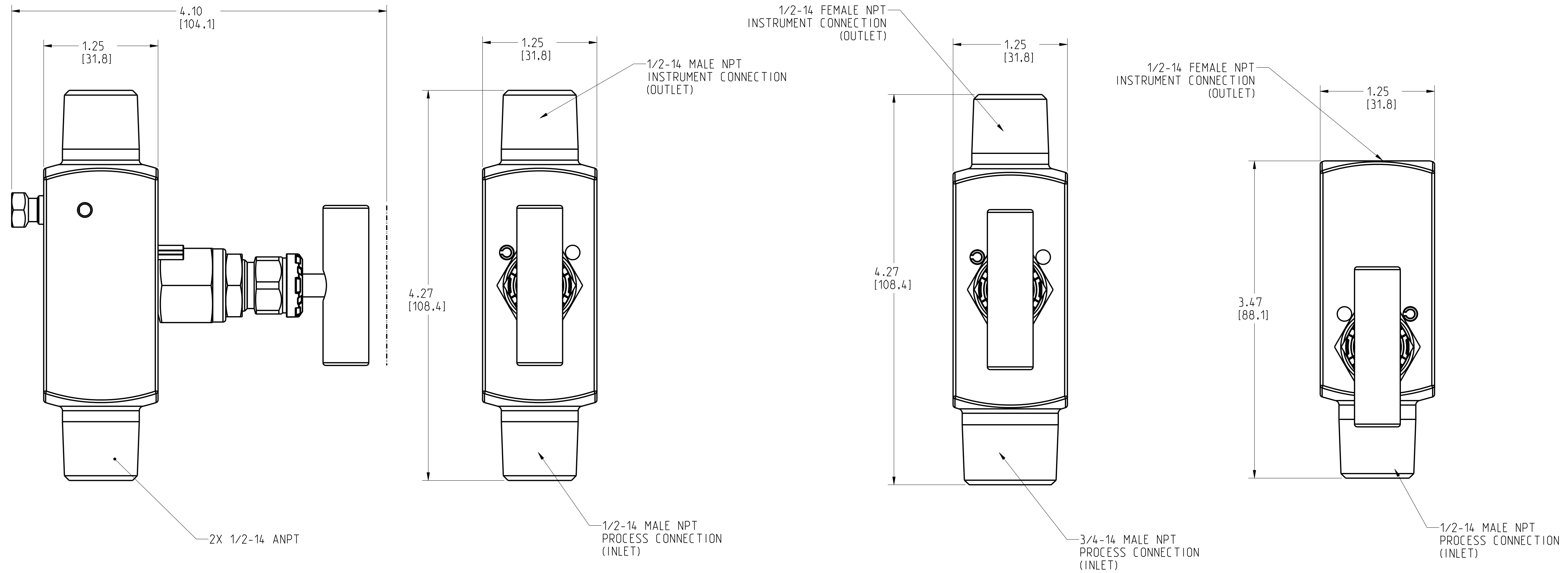
1/2-14 FEMALE NPT  
PROCESS CONNECTION  
(INLET)



©2015 ROSEMOUNT, INC.  
ROSEMOUNT INCORPORATES  
THIS INFORMATION IN  
ACCORDANCE WITH  
ROSEMOUNT ENGINEERING  
SPECIFICATIONS.  
UNIT NOTES IN INCHES (mm).  
REFERENCE ROSEMOUNT  
PRODUCT SHEETS FOR  
PRODUCT SPECIFICATIONS.  
CLICK HERE

		3RD ANGLE		SIZE D	SCALE NTS
TITLE <b>ROSEMOUNT R306ET TYPE I DRAWING</b>					
DR. J. ARMSTRONG	9/18/18	DRAWING NO.		OR306-3007	
APP'D T STROTH	9/18/18				
CAD MAINTAINED (PRO/E)				SHEET 2 OF 5	

ROSEMOUNT R306ET1 ENHANCED ONE VALVE INLINE STYLE MANIFOLD



©2015 ROSEMOUNT, INC. ROSEMOUNT INCORPORATES THIS INFORMATION WITHIN THE ACCORDANCE WITH ROSEMOUNT ENGINEERING SPECIFICATIONS. UNIT NOTES IN INCHES (mm).

REFERENCE ROSEMOUNT PRODUCT SHEETS FOR PRODUCT SPECIFICATIONS. CLICK HERE

3RD ANGLE

EMERSON

TITLE ROSEMOUNT R306ET TYPE I DRAWING

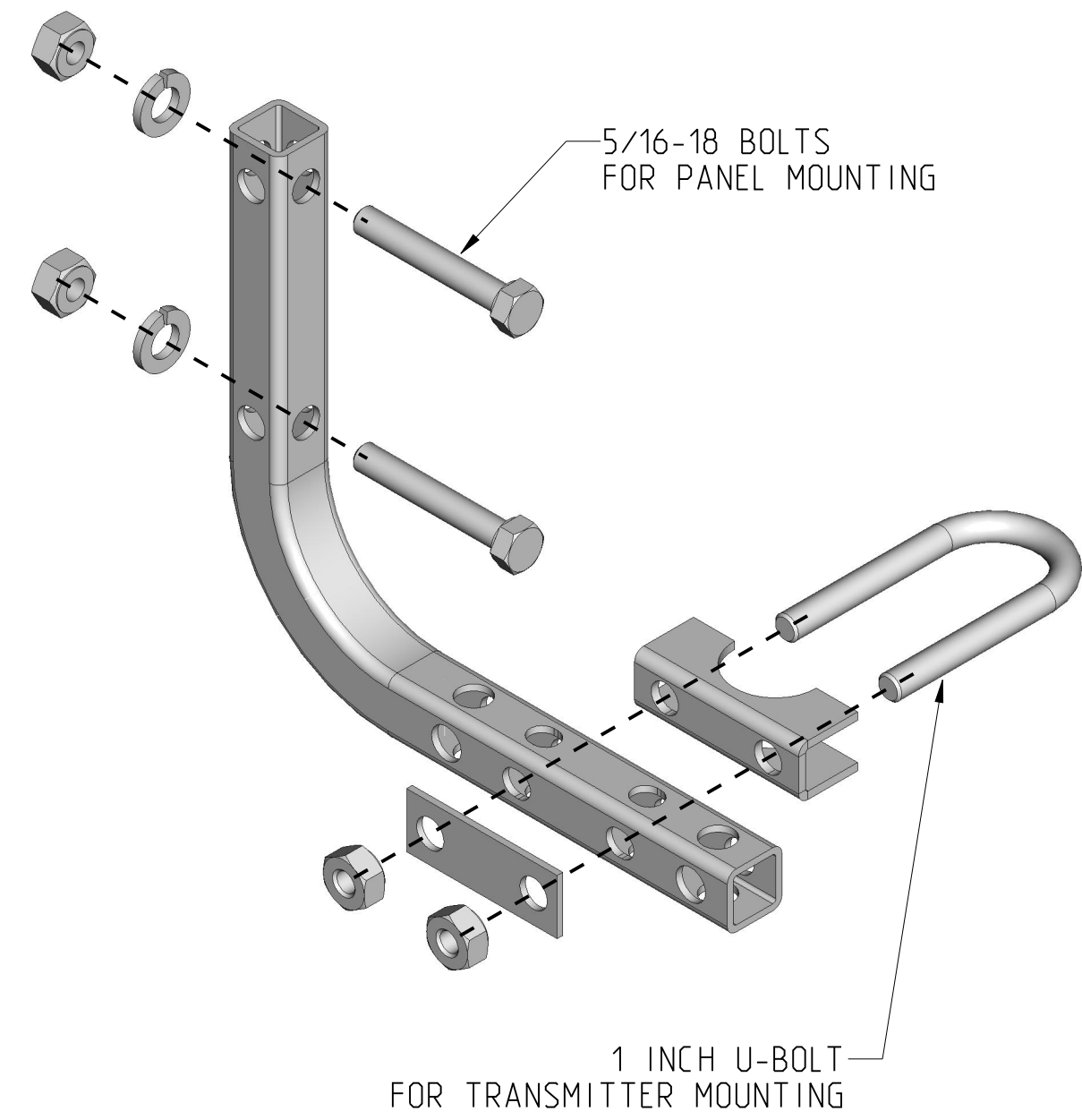
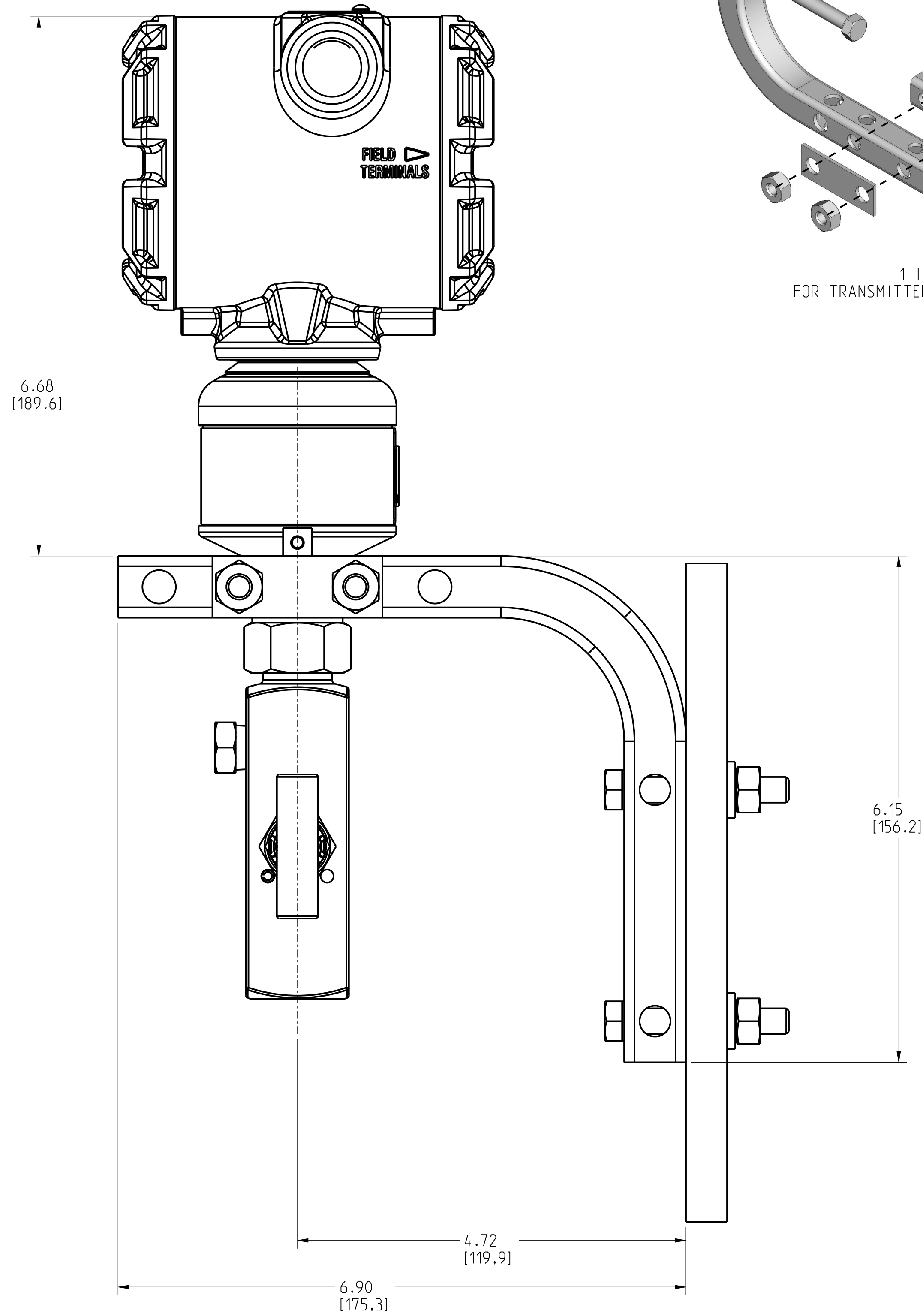
DR. J. ARMSTRONG 9/18/18 DRAWING NO. OR306-3007

APP'D T STROTH 9/18/18

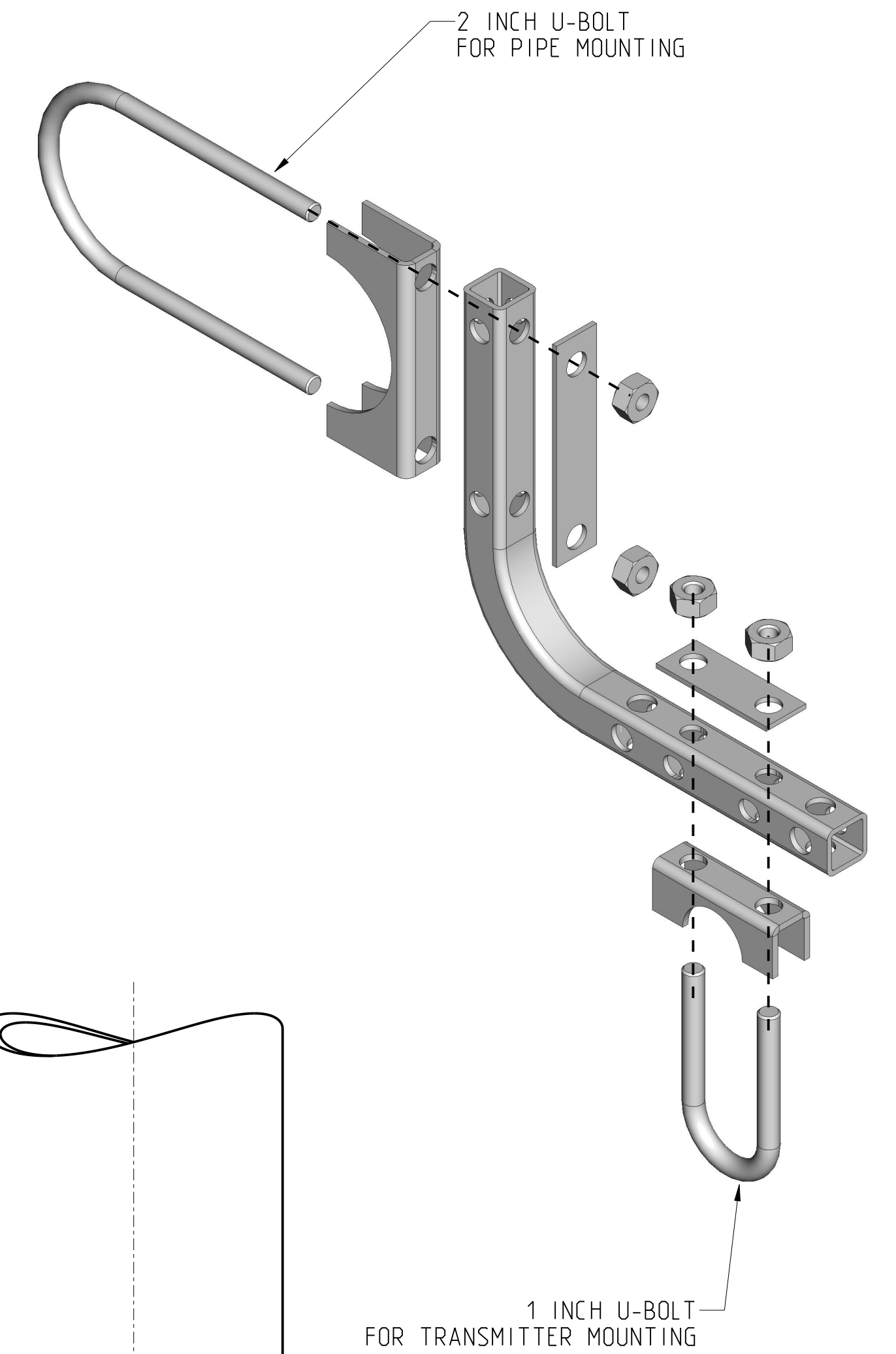
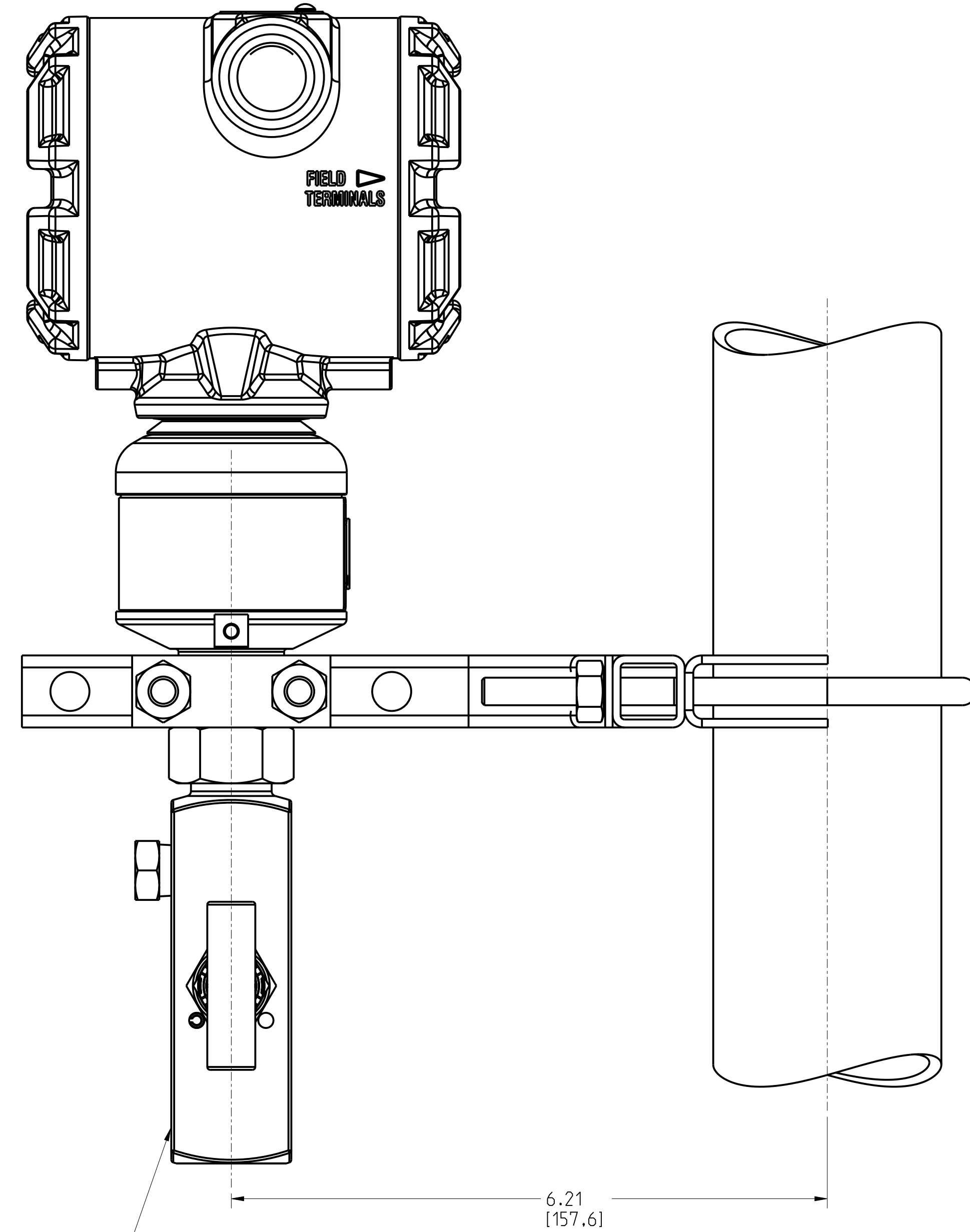
CAD MAINTAINED (PRO/E) SHEET 3 OF 5

ROSEMOUNT 3051S IN-LINE PRESSURE TRANSMITTER WITH R306ET2 ENHANCED MANIFOLD  
 IN-LINE MOUNTING CONFIGURATION WITH OPTIONAL MOUNTING BRACKET

PANEL MOUNTING



PIPE MOUNTING



MANIFOLD VALVE ORIENTATION  
 IS NOT CONTROLLED WITH  
 RELATION TO TRANSMITTER HOUSING

©2015 ROSEMOUNT, INC.  
 ROSEMOUNT INC. ACCEPTS  
 LIABILITY FOR THE INFORMATION  
 PROVIDED HEREIN. THIS  
 INFORMATION IS PROVIDED IN  
 ACCORDANCE WITH  
 ROSEMOUNT ENGINEERING  
 SPECIFICATIONS.

REFERENCE ROSEMOUNT  
 PRODUCT SHEETS FOR  
 PRODUCT SPECIFICATIONS.  
 CLICK HERE

3RD ANGLE

EMERSON

TITLE  
 ROSEMOUNT R306ET  
 MANIFOLD TYPE I DRAWING

DR. J. ARMSTRONG 9/18/18 DRAWING NO.  
 APP'D T STROTH 9/18/18 OR306-3007

UNIT NOTES IN INCHES (mm).

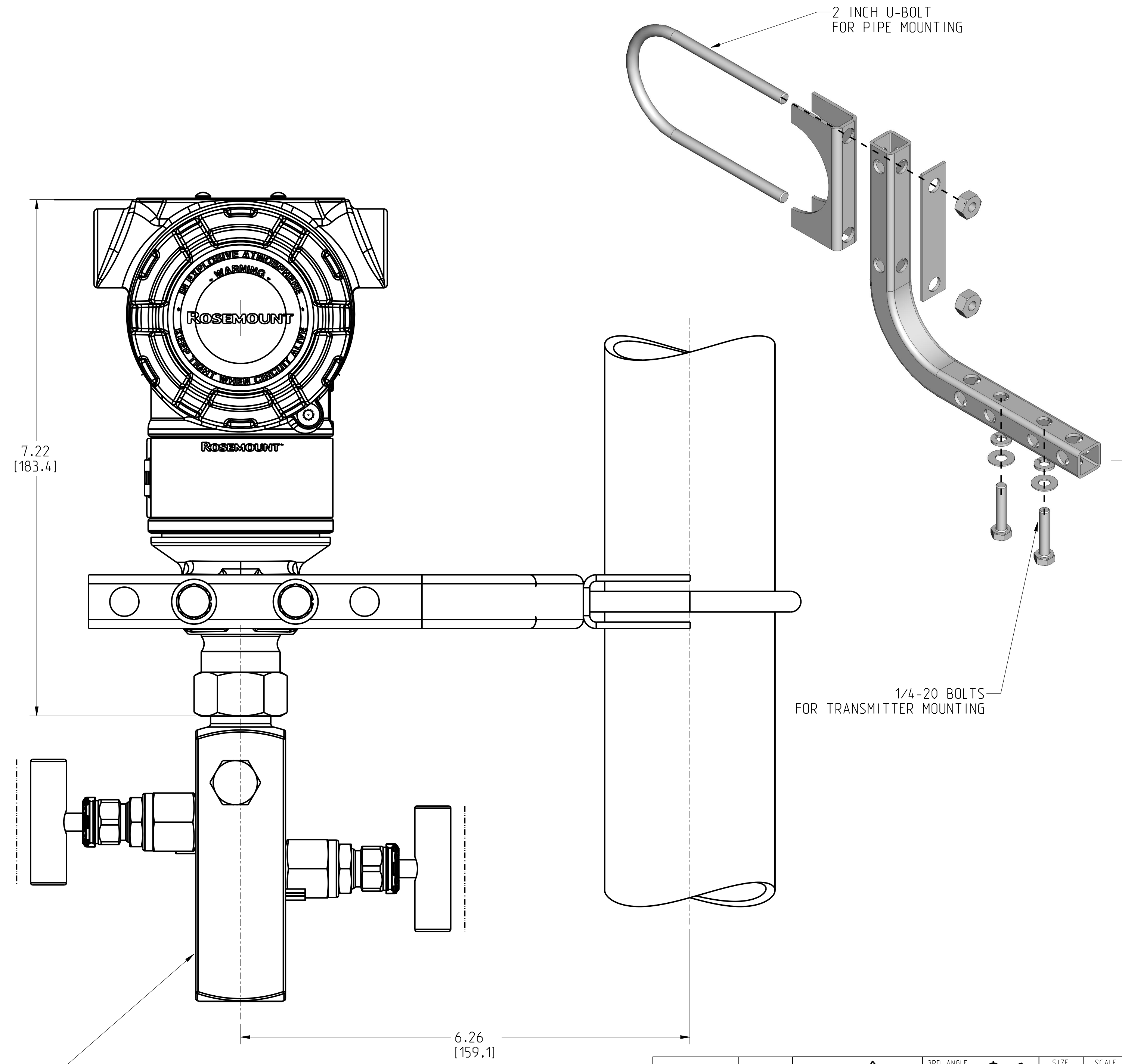
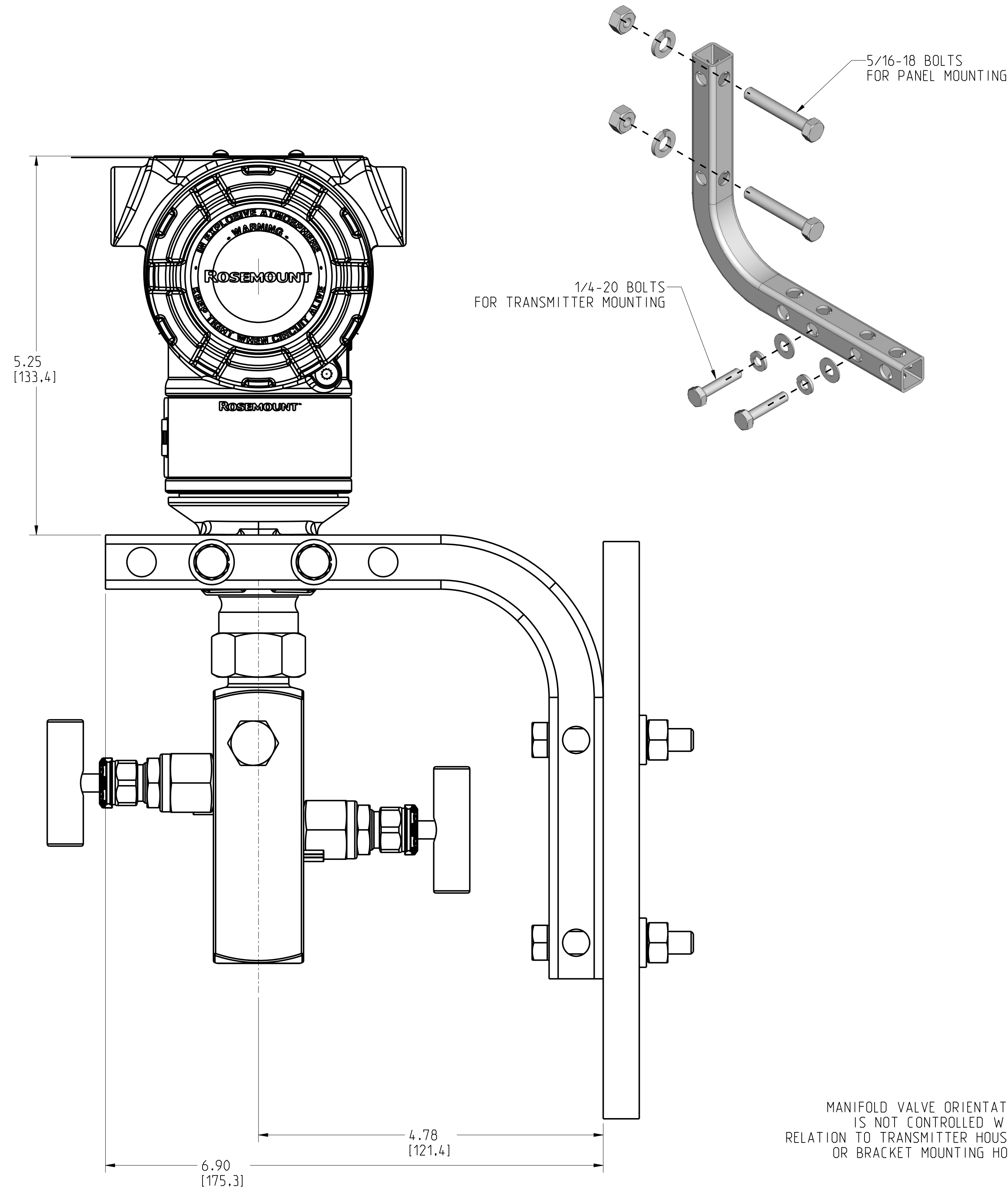
SIZE D SCALE NTS

CAD MAINTAINED. (PRO/E) SHEET 4 OF 5

ROSEMOUNT 3051 IN-LINE PRESSURE TRANSMITTER WITH R306ET2 ENHANCED MANIFOLD  
 IN-LINE MOUNTING CONFIGURATION WITH OPTIONAL MOUNTING BRACKET

PANEL MOUNTING

PIPE MOUNTING



©2015 ROSEMOUNT, INC. ROSEMOUNT INC. ACCEPTS THE ACCURACY OF THE INFORMATION PROVIDED IN THIS DRAWING WITH THE UNDERSTANDING THAT ROSEMOUNT ENGINEERING SPECIFICATIONS. UNIT NOTES IN INCHES (mm).

REFERENCE ROSEMOUNT PRODUCT SPECIFICATIONS FOR PRODUCT SPECIFICATIONS. CLICK HERE

EMERSON

TITLE ROSEMOUNT R306ET MANIFOLD TYPE I DRAWING

DR. J. ARMSTRONG 9/18/18 DRAWING NO. OR306-3007

APP'D T STROTH 9/18/18

CAD MAINTAINED. (PRO/E) SHEET 5 OF 5

3RD ANGLE

SIZE D

SCALE NTS