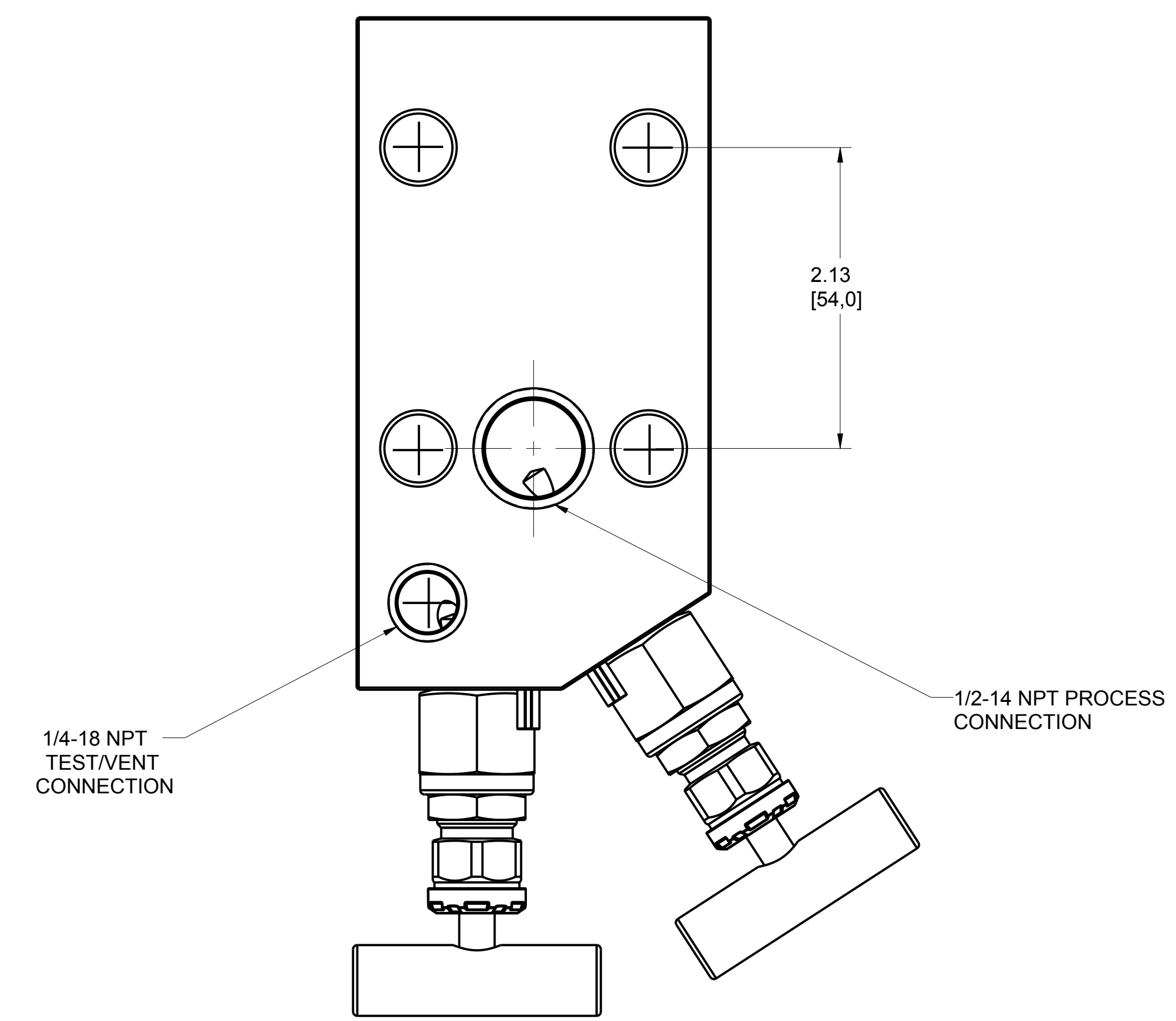
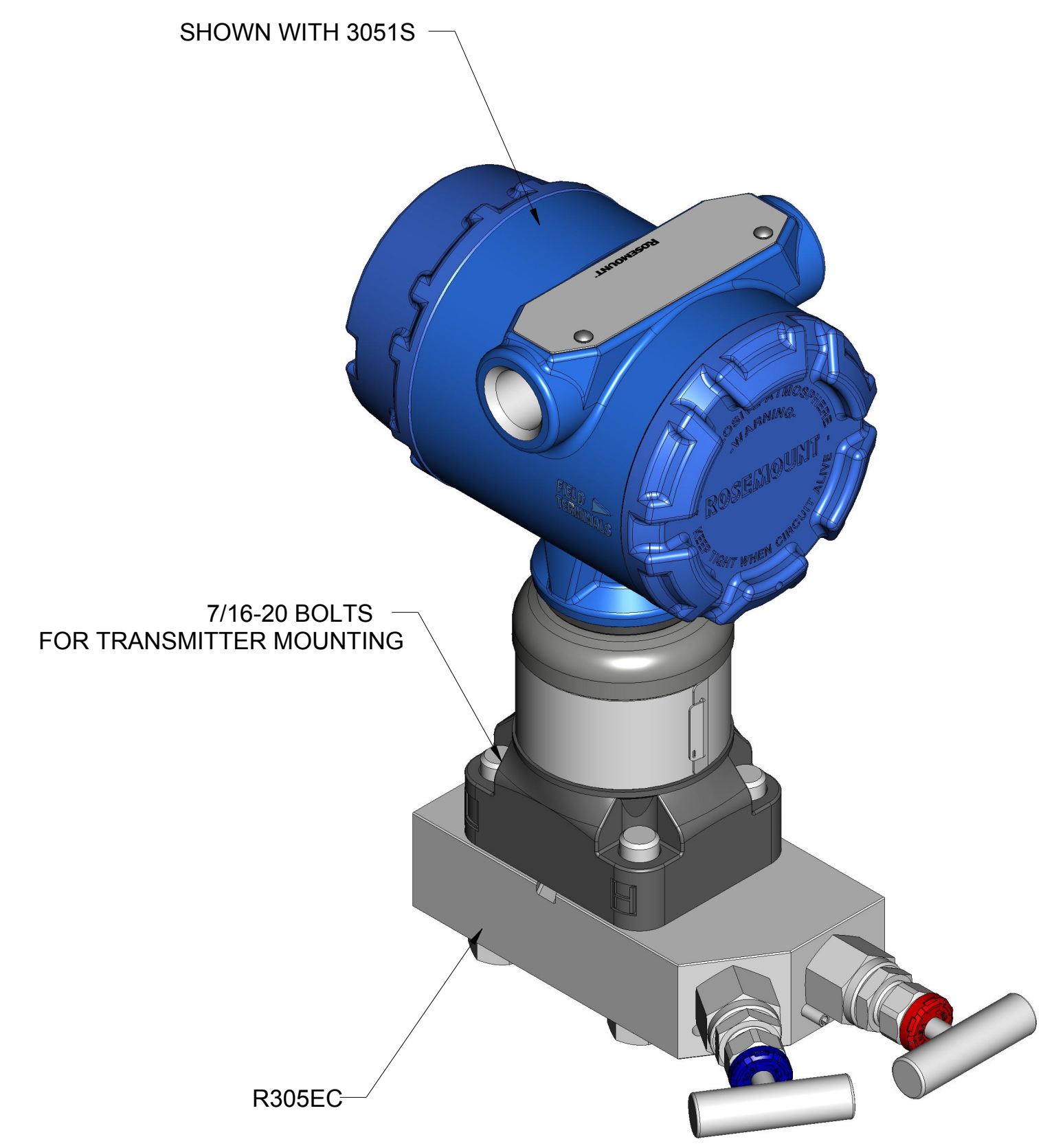
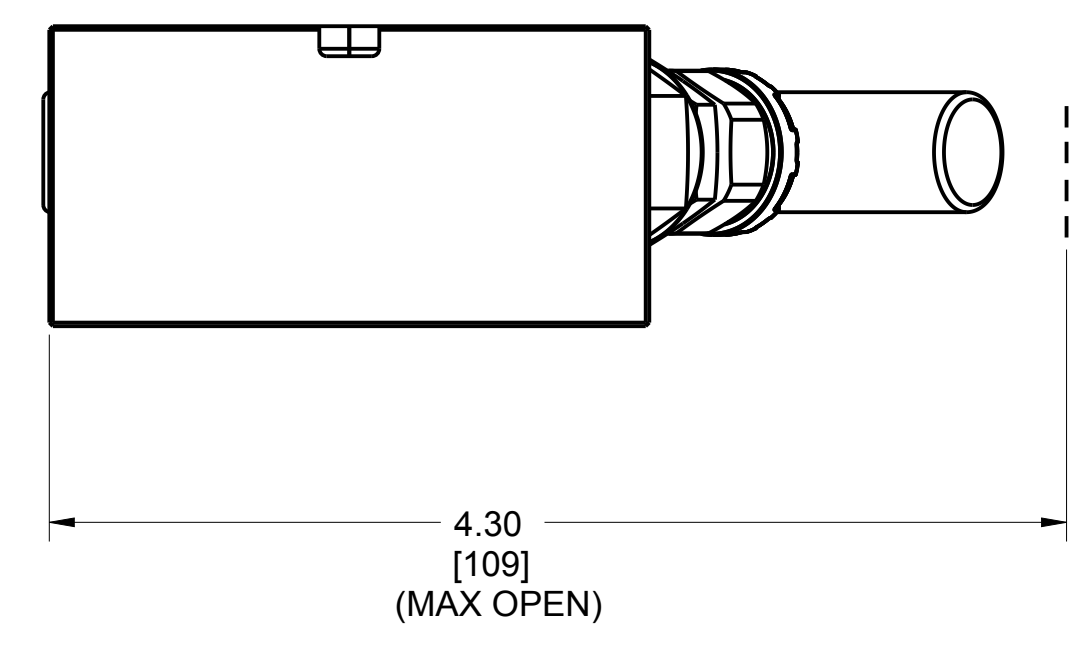
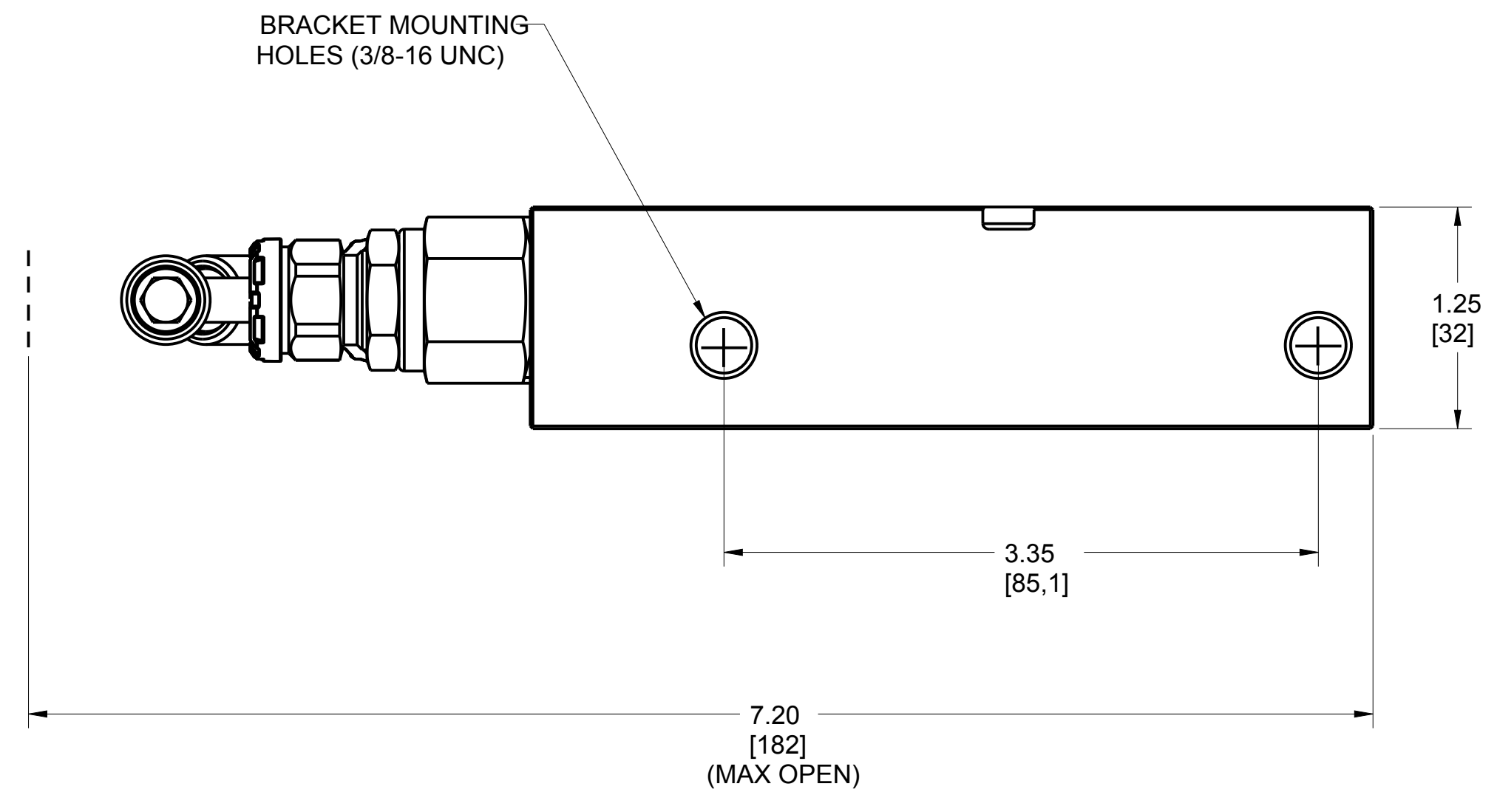


MODEL R305EC2 ENHANCED TWO VALVE COPLANAR STYLE MANIFOLD

REVISION TABLE			
REVISION	ECO NO.	APP'D	DATE
AA	RTC1071484	T. STROTH	9/11/18
DESCRIPTION			
NEW RELEASE			



©2015 ROSEMOUNT INC.
ROSEMOUNT INC. CERTIFIES THIS DRAWING IS IN ACCORDANCE WITH ROSEMOUNT ENGINEERING SPECIFICATIONS. UNIT NOTES IN INCHES (mm).
REFERENCE ROSEMOUNT PRODUCT SPECIFICATIONS. CLICK HERE

EMERSON

TITLE ROSEMOUNT 305 ENHANCED MANIFOLD TYPE I DRAWING

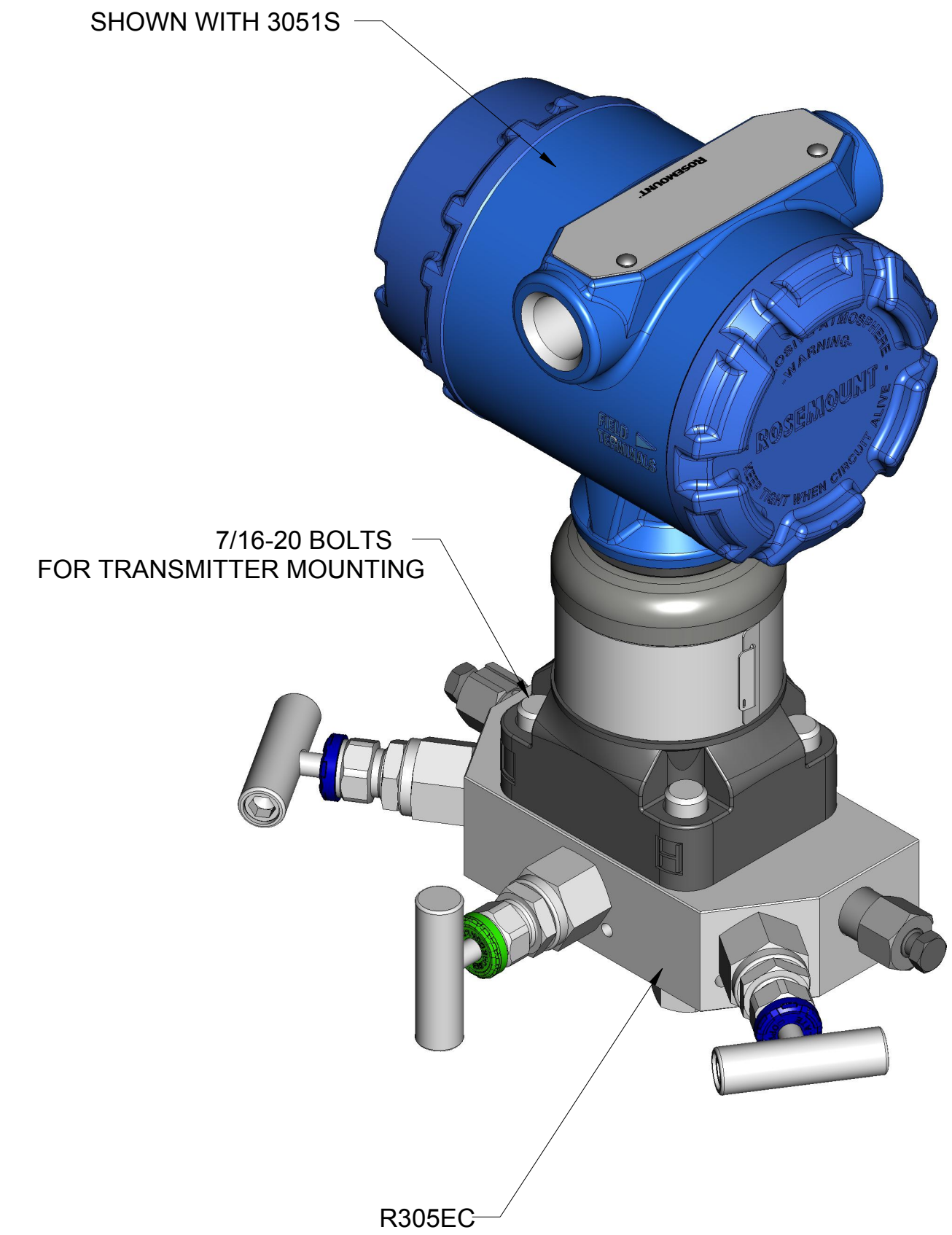
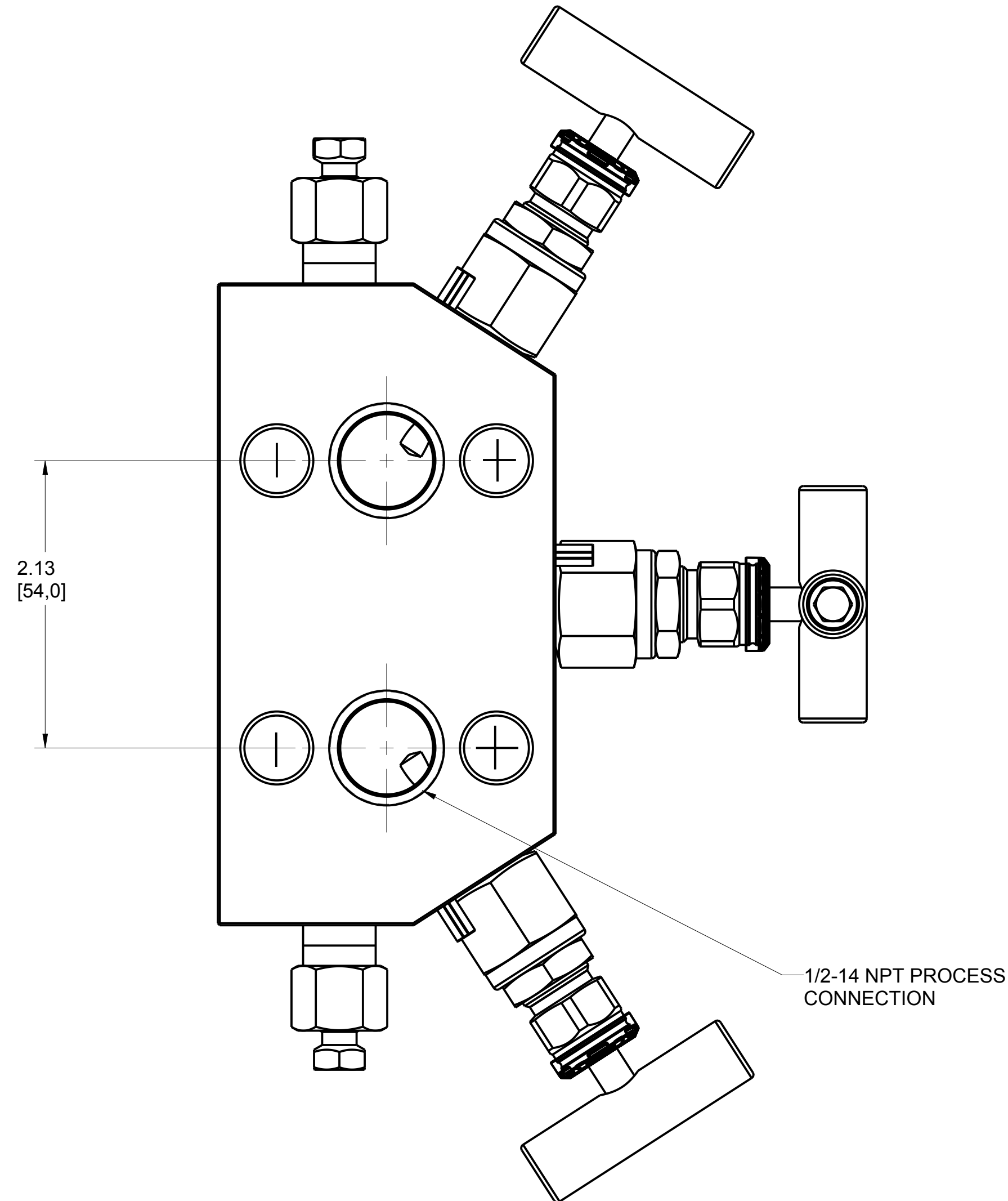
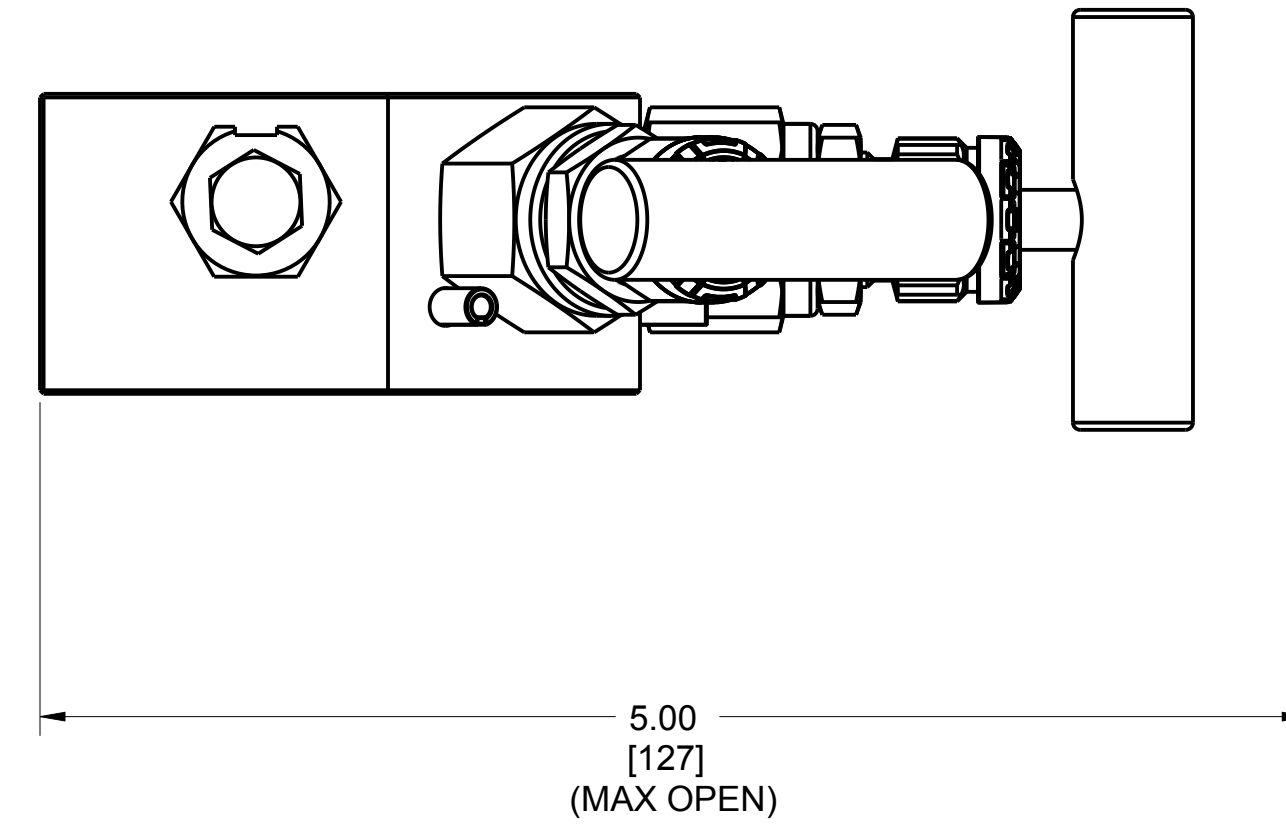
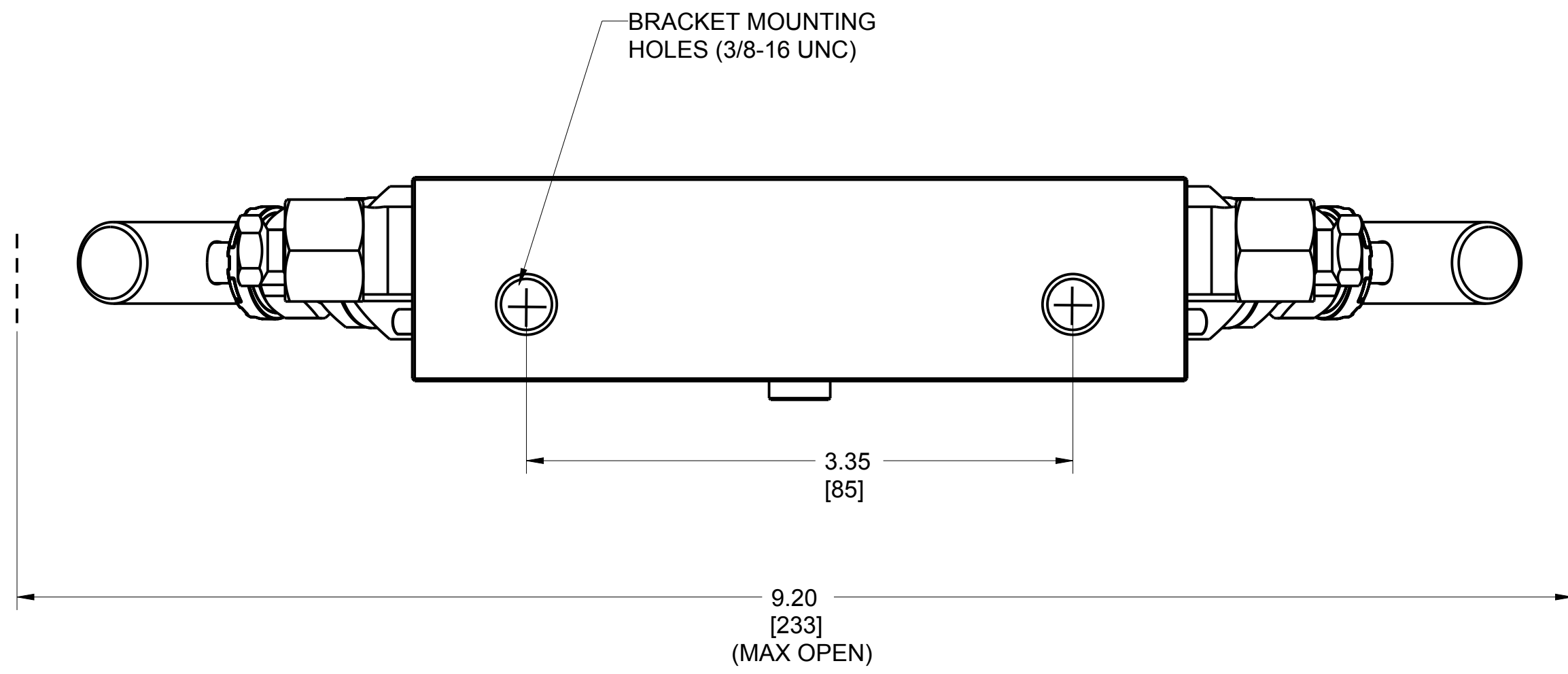
DR.	JLA	9/11/18	DRAWING NO.	0R305-3010
APP'D	T. STROTH	9/11/18		
CAD MAINTAINED, (PRO/E)				SHEET 1 OF 4

3RD ANGLE

SIZE D

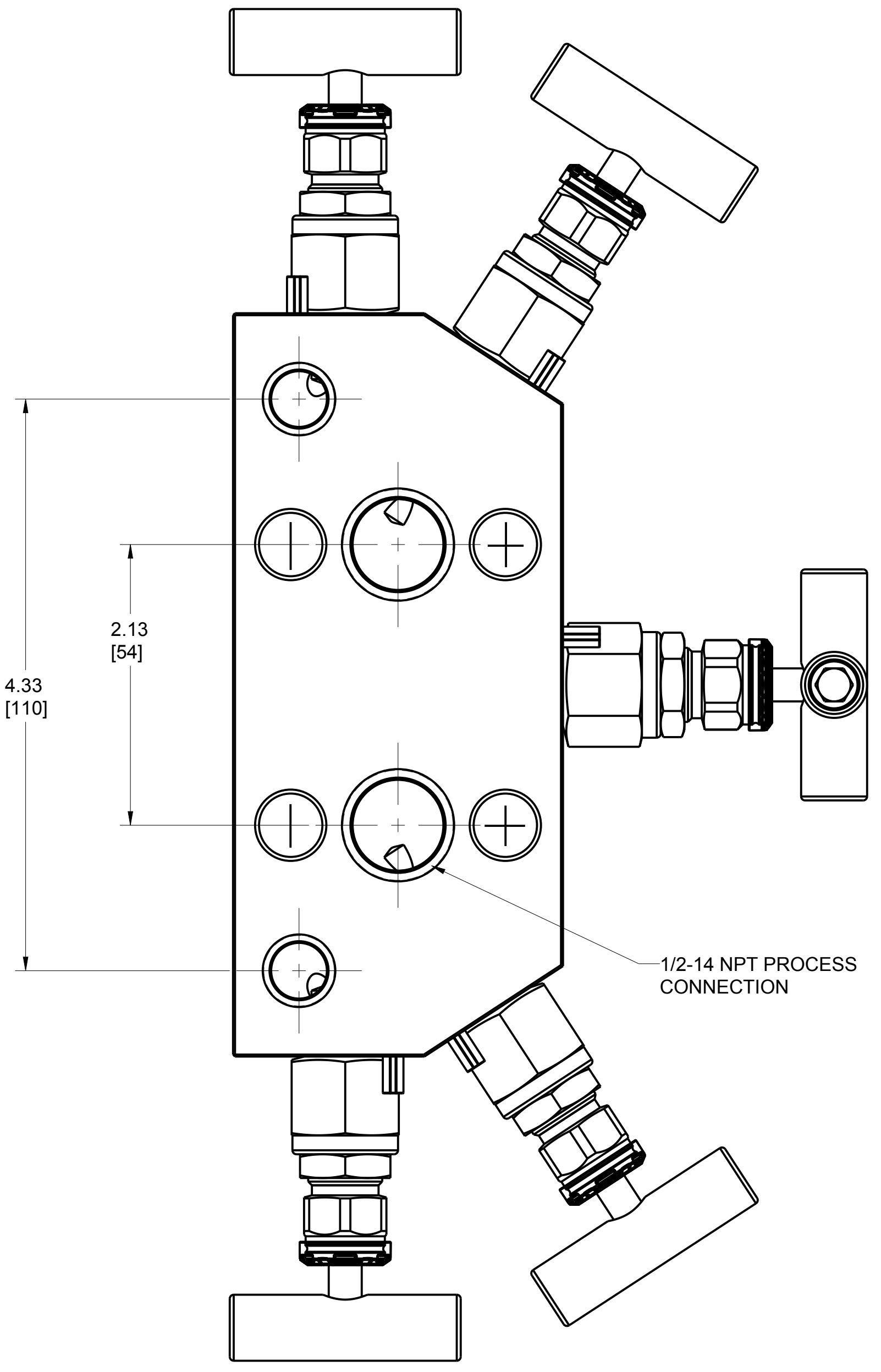
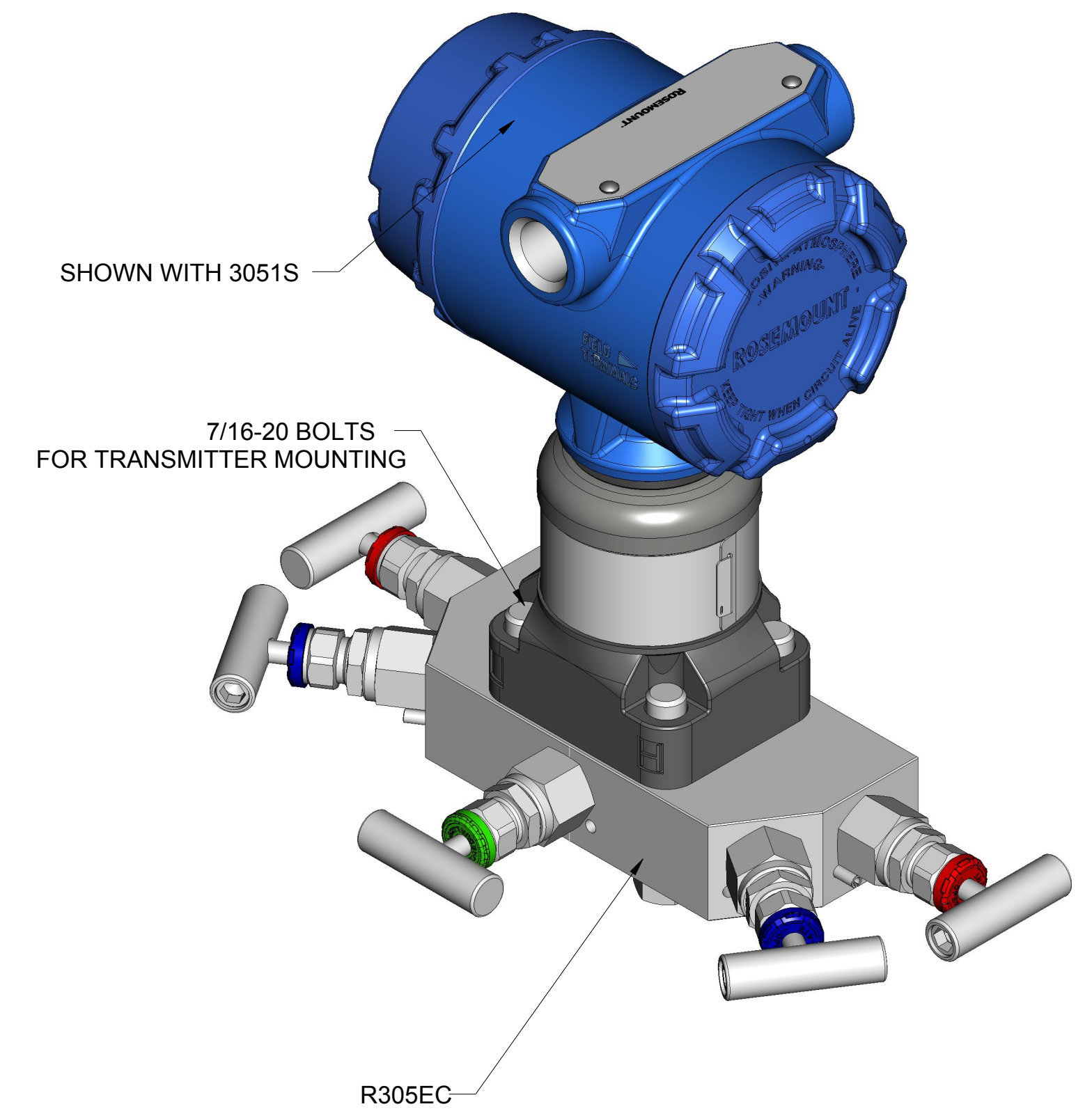
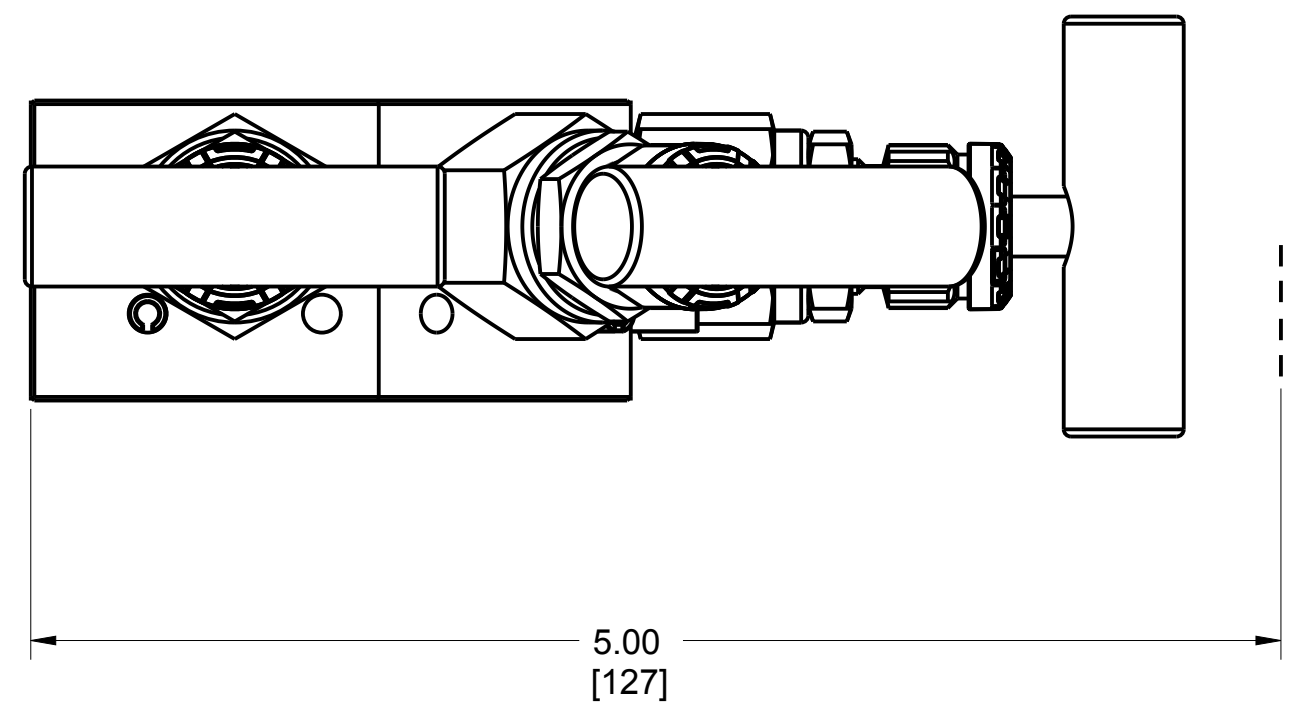
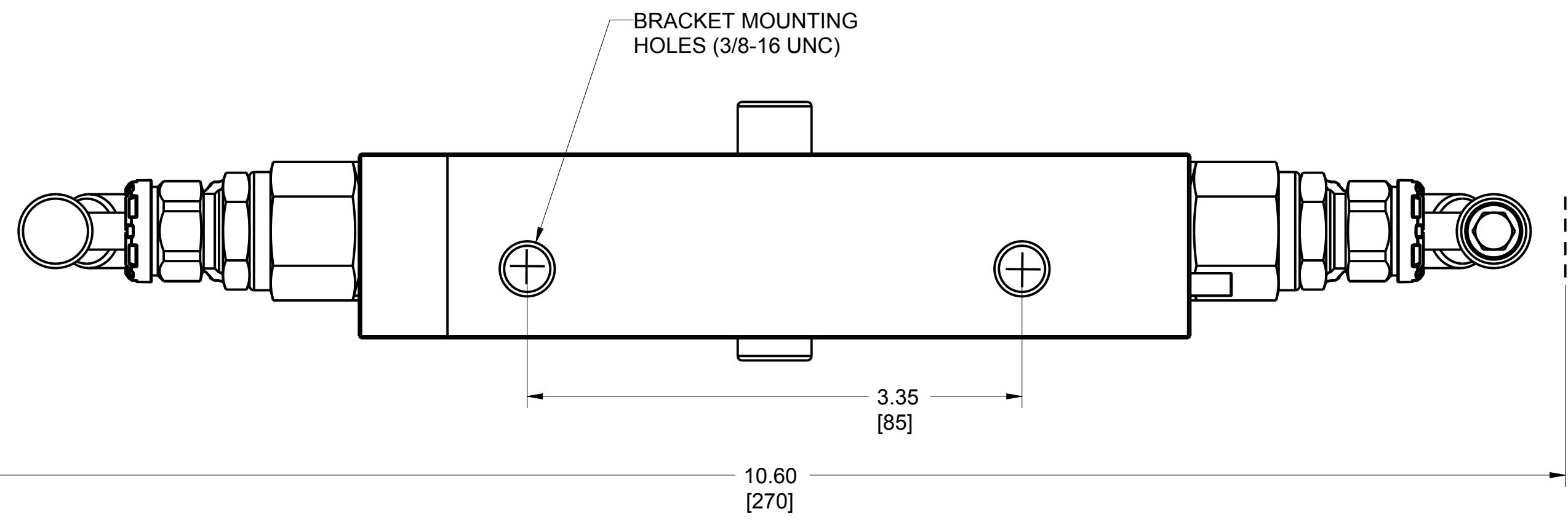
SCALE NTS

MODEL R305EC3 ENHANCED THREE VALVE COPLANAR STYLE MANIFOLD



©2015 ROSEMOUNT INC. ROSEMOUNT INC. CERTIFIES THIS DRAWING IS IN ACCORDANCE WITH ROSEMOUNT ENGINEERING SPECIFICATIONS. UNIT NOTES IN INCHES (mm). REFERENCE ROSEMOUNT PRODUCT SPECIFICATIONS. CLICK HERE	3RD ANGLE	SIZE D	SCALE NTS
	TITLE ROSEMOUNT 305 ENHANCED MANIFOLD TYPE I DRAWING		
	DR. JLA 9/11/18	DRAWING NO.	0R305-3010
APP'D T STROTH 9/11/18	CAD MAINTAINED, (PROE) SHEET 2 OF 4		

MODEL R305EC5 ENHANCED FIVE VALVE COPLANAR STYLE MANIFOLD



©2015 ROSEMOUNT INC.
ROSEMOUNT INC. CERTIFIES
THIS DRAWING IS MADE
IN ACCORDANCE WITH
ROSEMOUNT ENGINEERING
SPECIFICATIONS.
UNIT NOTES IN INCHES (mm).
REFERENCE ROSEMOUNT
PRODUCT SPECIFICATIONS.
CLICK HERE

3RD ANGLE

EMERSON

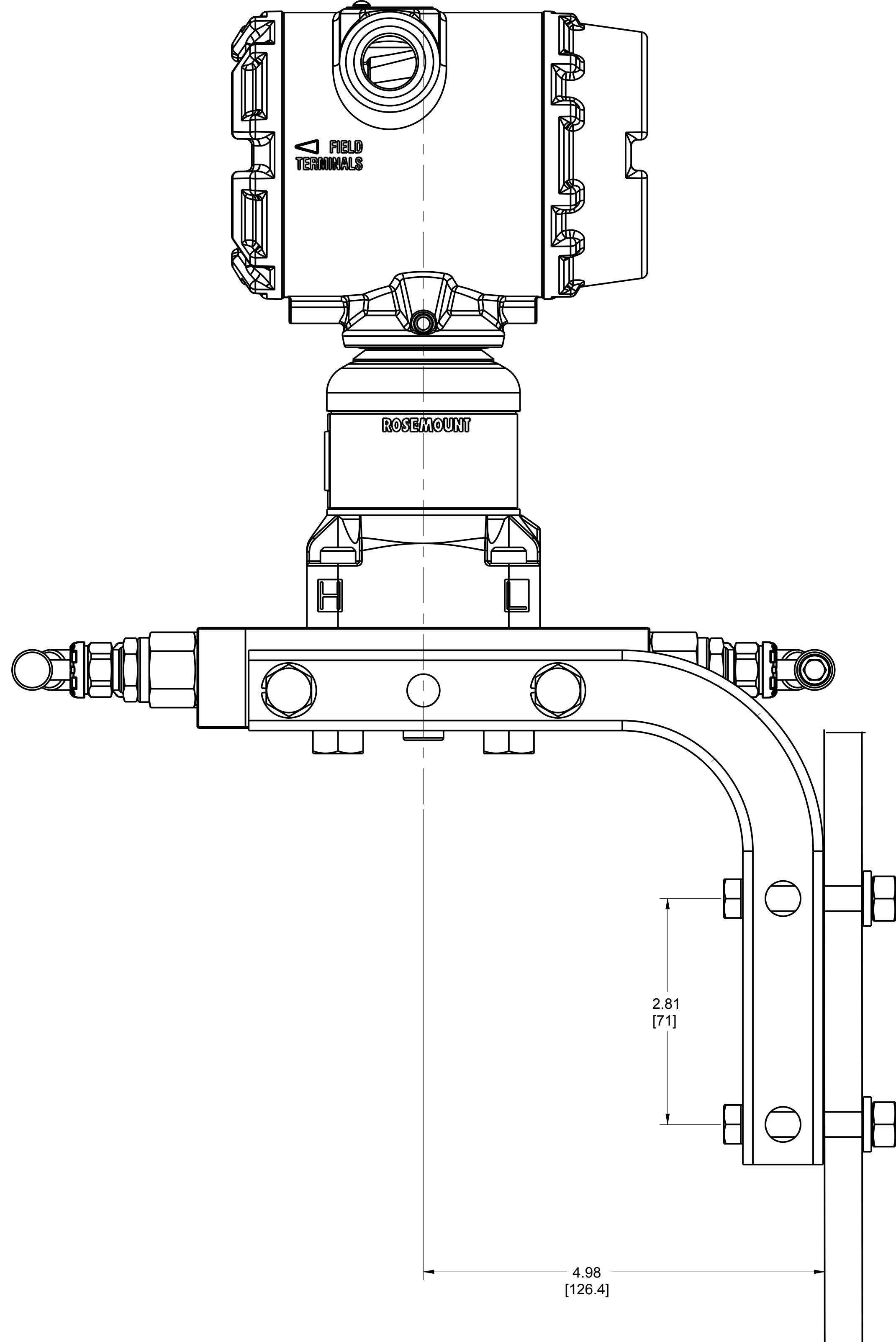
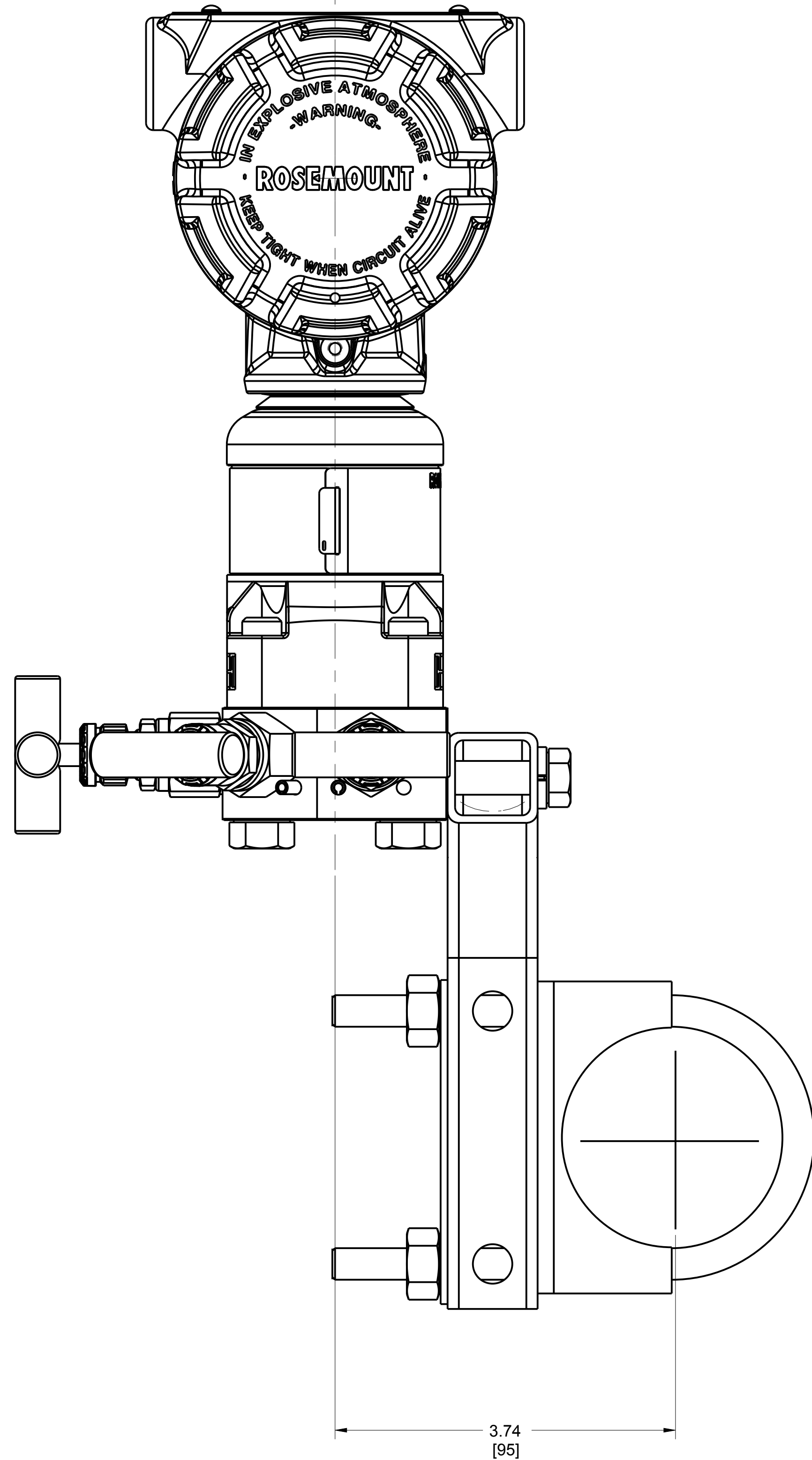
TITLE ROSEMOUNT 305 ENHANCED
MANIFOLD TYPE I DRAWING

DR:	JLA	9/11/18	DRAWING NO.	
APP'D	T STROTH	9/11/18		0R305-3010
CAD MAINTAINED, (PROE)			SHEET 3 OF 4	

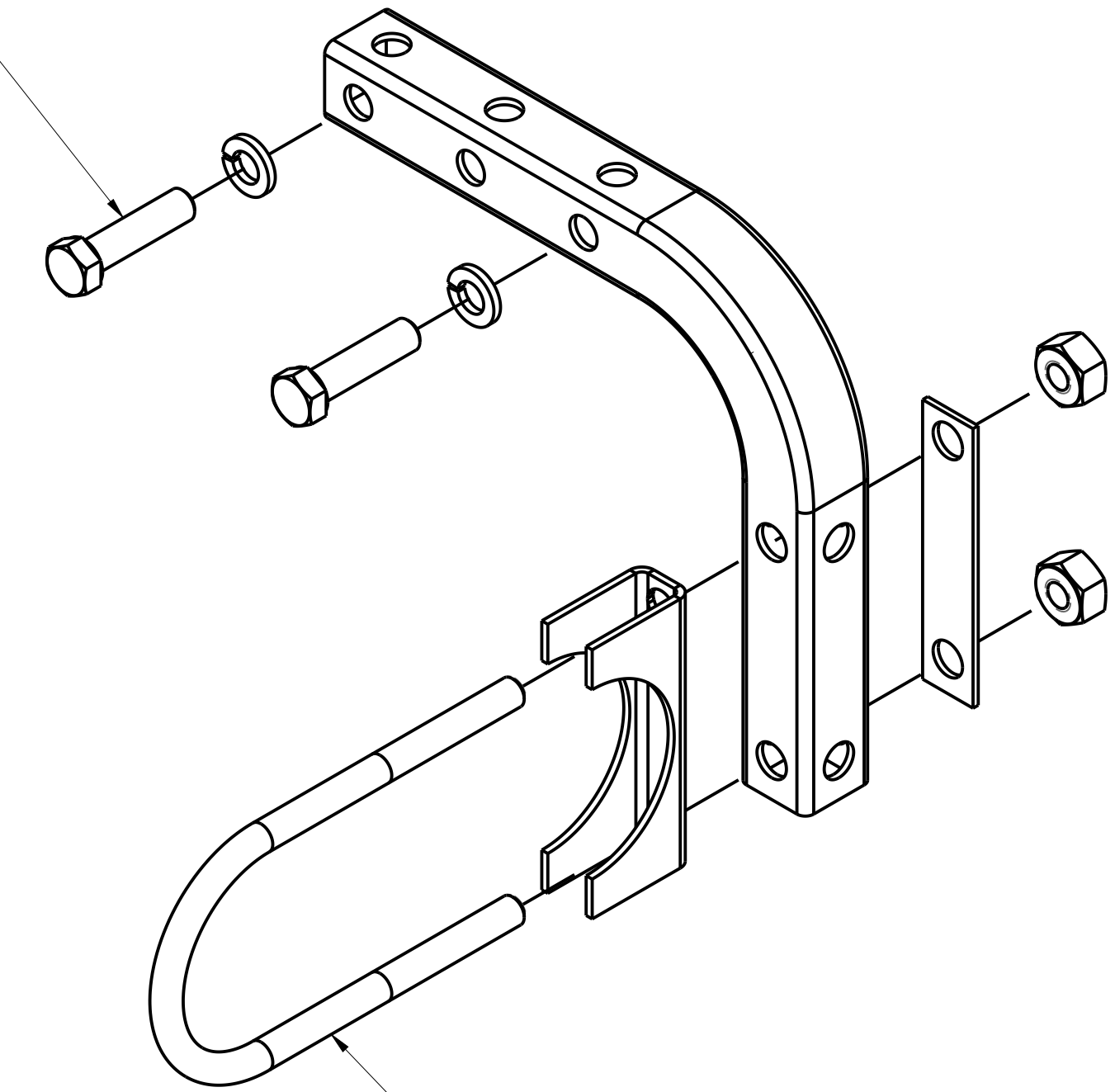
MODEL R305EC5 ENHANCED
MOUNTING CONFIGURATIONS WITH OPTIONAL MOUNTING BRACKET

PIPE MOUNTING

PANEL MOUNTING

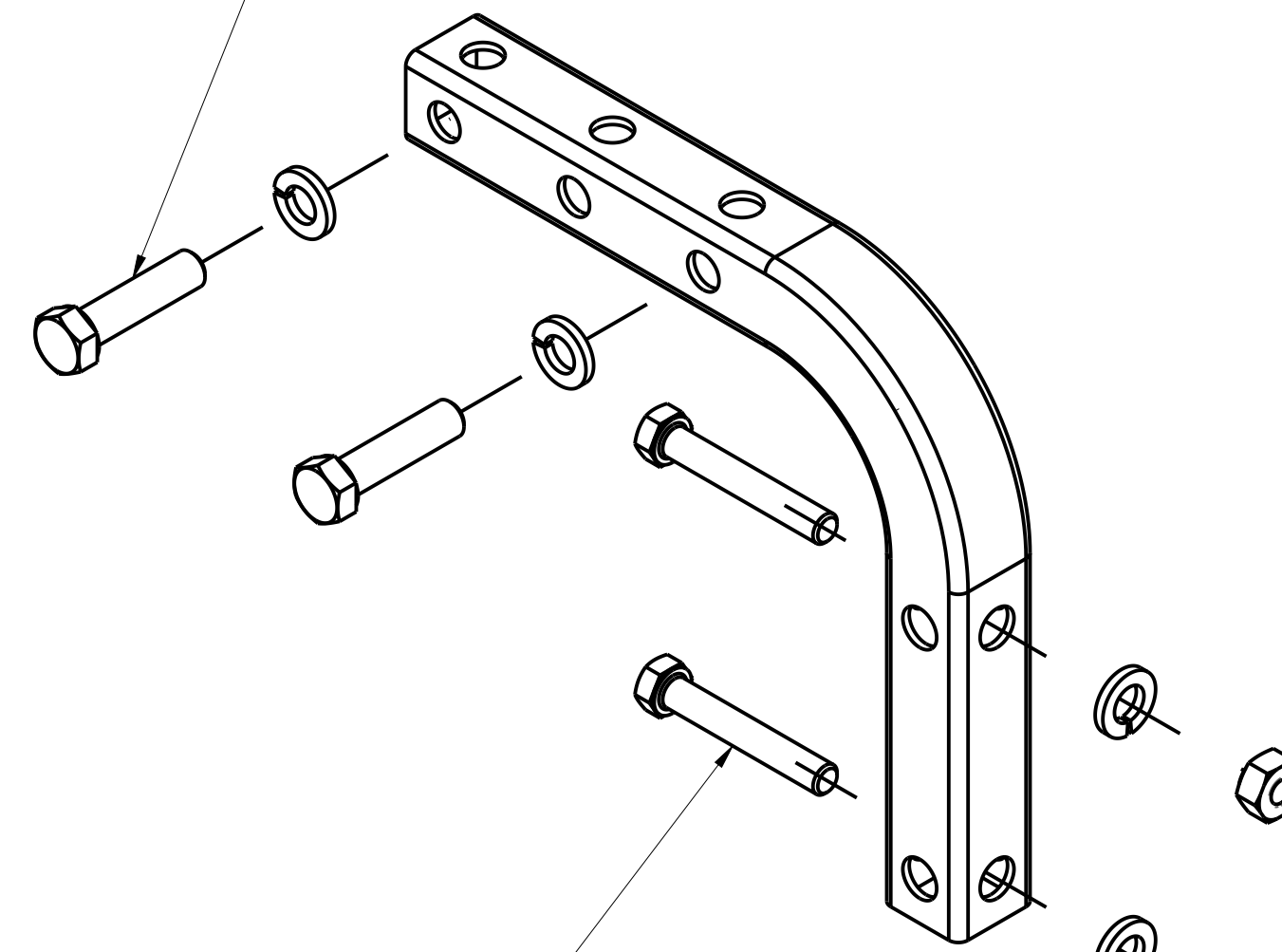


3/8-16 BOLTS FOR
TRANSMITTER MOUNTING



2 INCH U-BOLT FOR
PIPE MOUNTING

3/16-16 BOLTS FOR
TRANSMITTER MOUNTING



5/16-18 BOLTS
FOR PANEL MOUNTING
(NOT SUPPLIED)

©2015 ROSEMOUNT INC.
ROSEMOUNT INC. CERTIFIES
THIS DRAWING IS MADE
IN ACCORDANCE WITH
ROSEMOUNT ENGINEERING
SPECIFICATIONS.
UNIT NOTES IN INCHES (mm).
REFERENCE ROSEMOUNT
PRODUCT SPECIFICATIONS.
CLICK HERE

3RD ANGLE

SIZE D SCALE NTS

EMERSON

TITLE ROSEMOUNT 305 ENHANCED
MANIFOLD TYPE I DRAWING

DR. JLA	9/11/18	DRAWING NO.	
APPD T STROTH	9/11/18		0R305-3010
CAD MAINTAINED, (PROE)			SHEET 4 OF 4