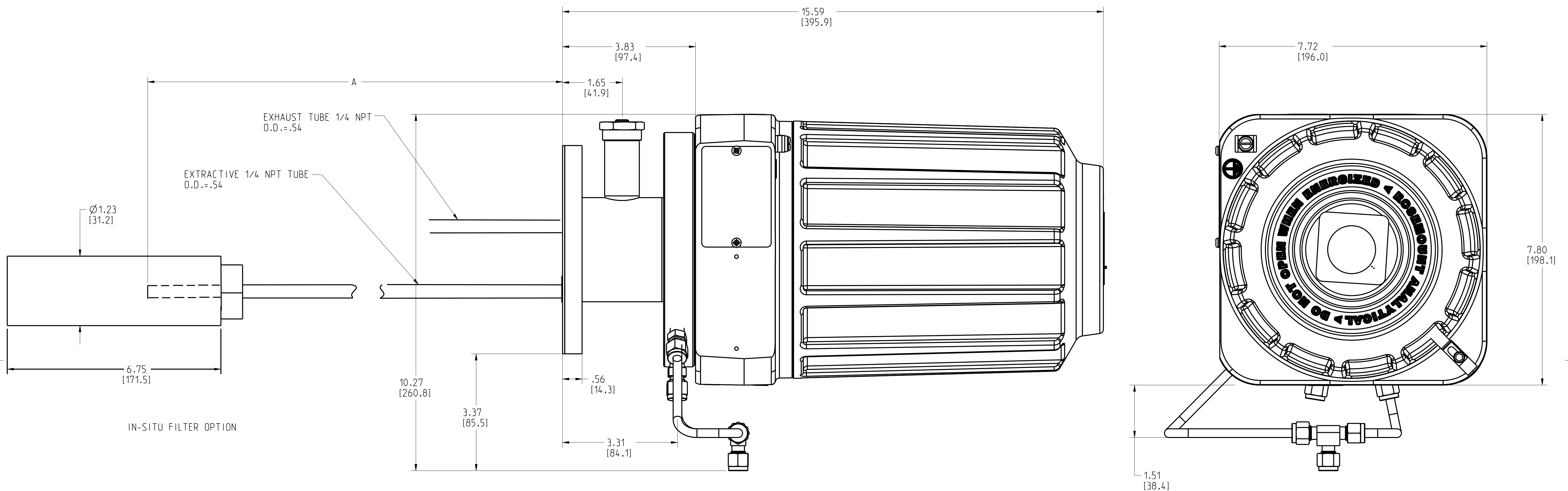


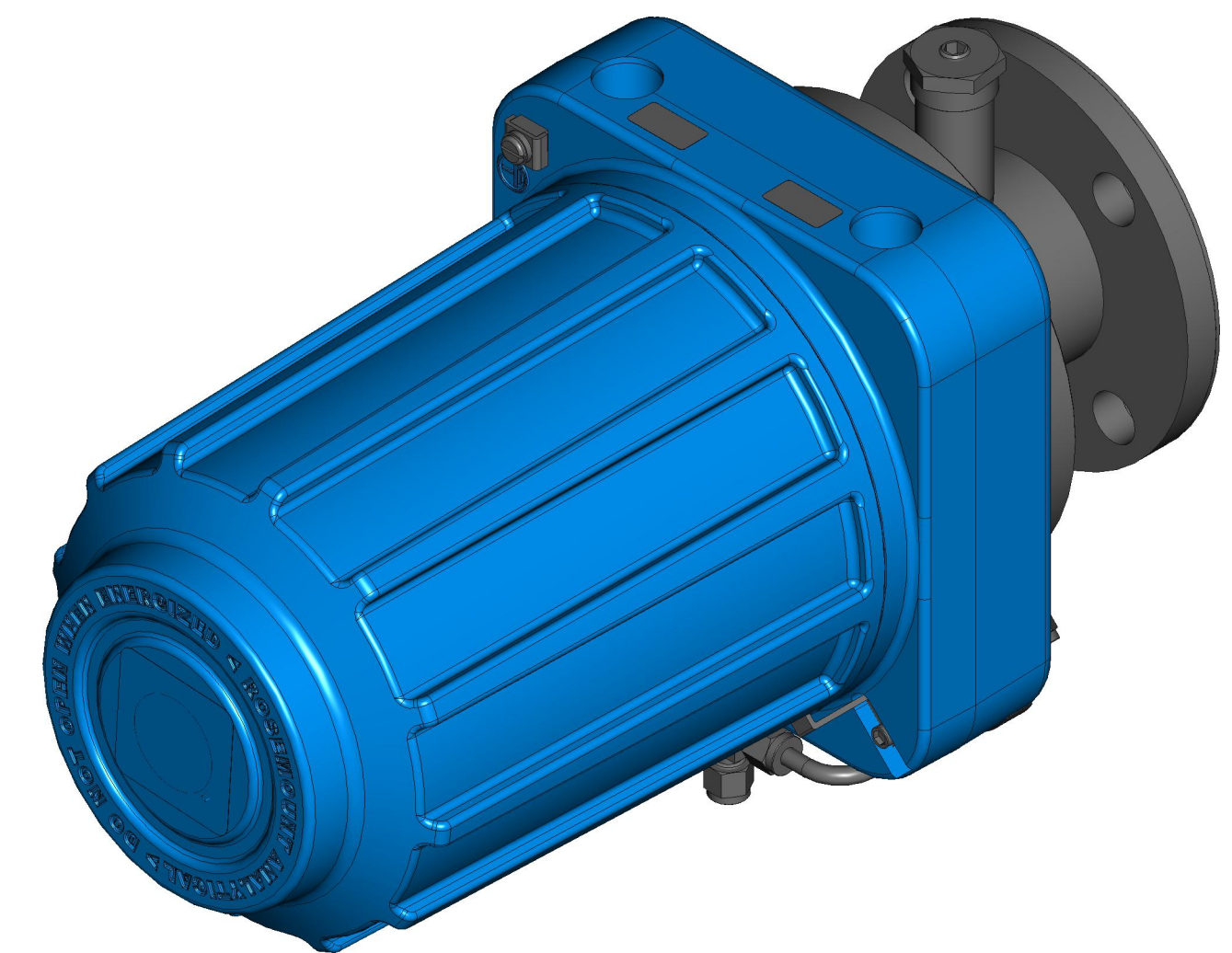
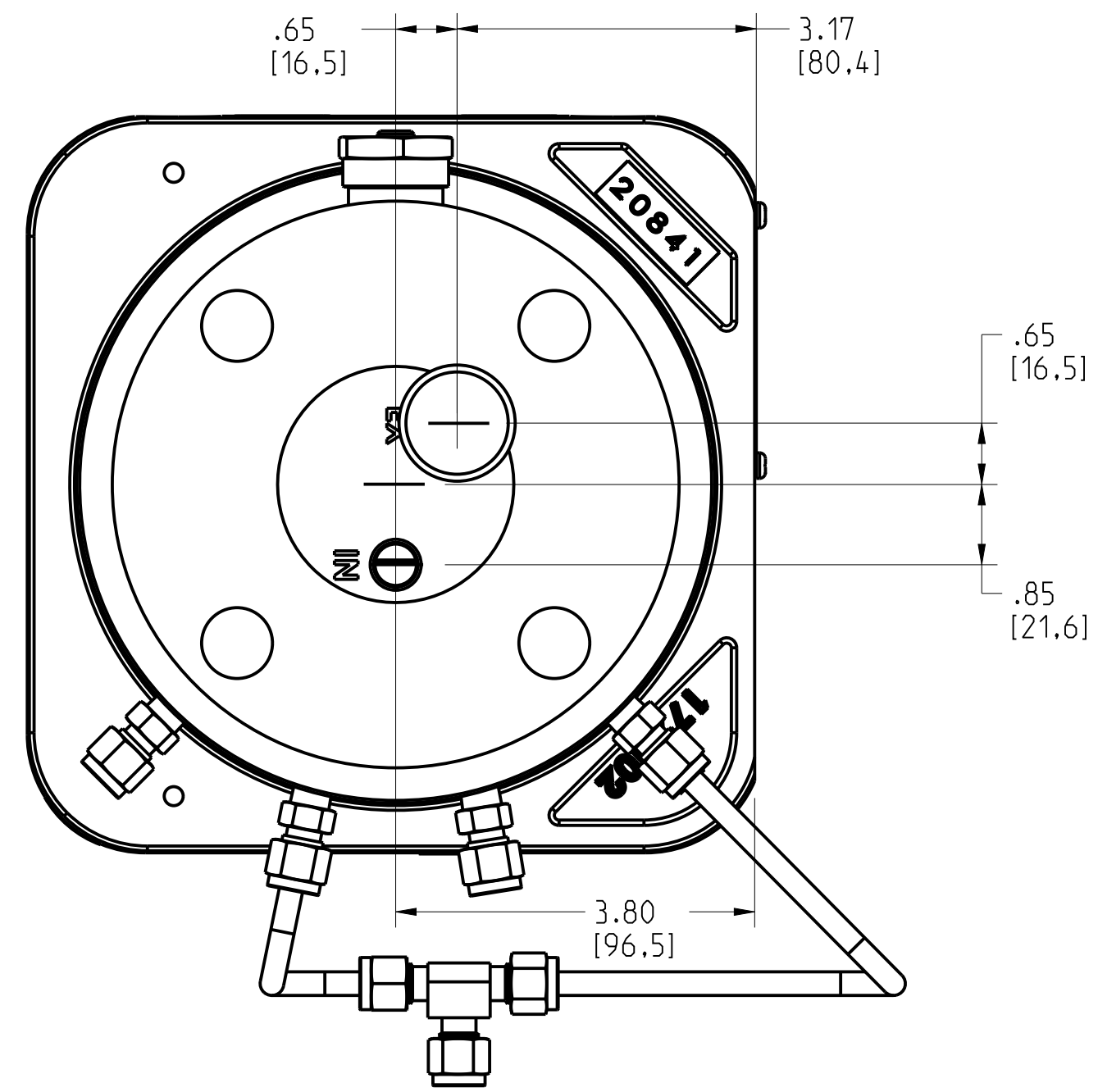
# ROSEMOUNT MODEL OCX8000 OXYGEN/COMBUSTIBLE TRANSMITTER

REVISION TABLE			
REVISION	ECO NO.	APP'D	DATE
AC	12312	N. JOHNSON	5/15/19
DESCRIPTION			
ADD THE BLOWBACK PANEL AND UPDATE DIMS.			

## SENSOR HOUSING



Probe Length	Dim A Insertion Depth
18 in. [457mm]	17.75 in. [451mm]
3 ft. [91m]	35.75 in. [908 mm]
6 ft. [1.83m]	71.75 in. [1822.4 mm]
9 ft. [2.74m]	107.7 in. [2735.5 mm]



ALL GAS FITTINGS ARE 1/4" TUBE FITTINGS

©2015 ROSEMOUNT, INC.  
ROSEMOUNT INCORPORATES  
THIS INFORMATION IN  
THIS ACCORDANCE WITH  
ROSEMOUNT ENGINEERING  
SPECIFICATIONS.  
UNIT NOTES IN INCHES (mm).

REFERENCE ROSEMOUNT  
PRODUCT SHEETS FOR  
PRODUCT SPECIFICATIONS.  
CLICK HERE

3RD ANGLE

EMERSON

TITLE  
ROSEMOUNT OCX8800  
TYPE I DRAWING

DR. J. ARMSTRONG | 10/18/18 | DRAWING NO.  
APP'D J. SUMSTED | 10/18/18 | OCX88-7000

CAD MAINTAINED. (PRO/EI)

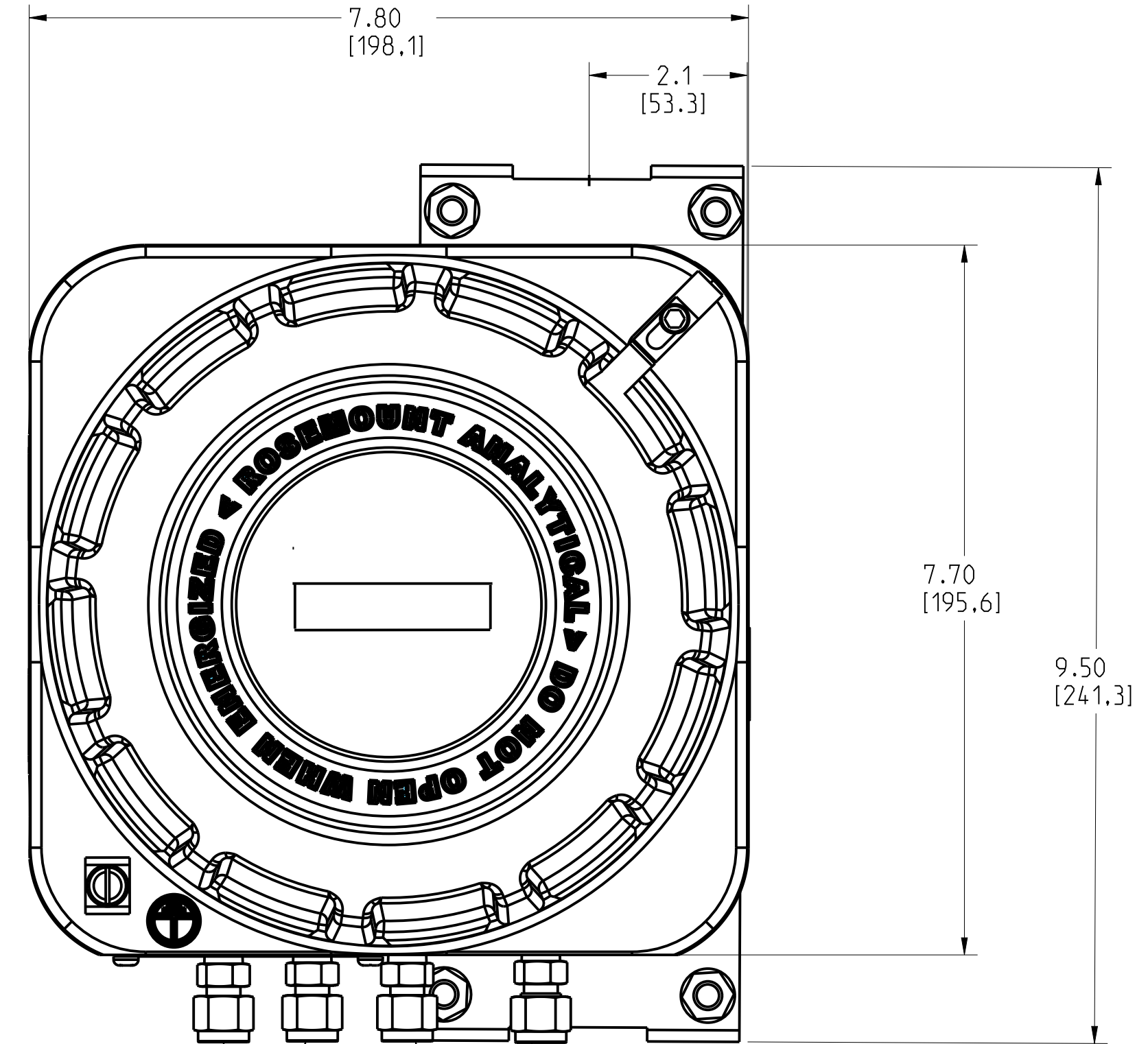
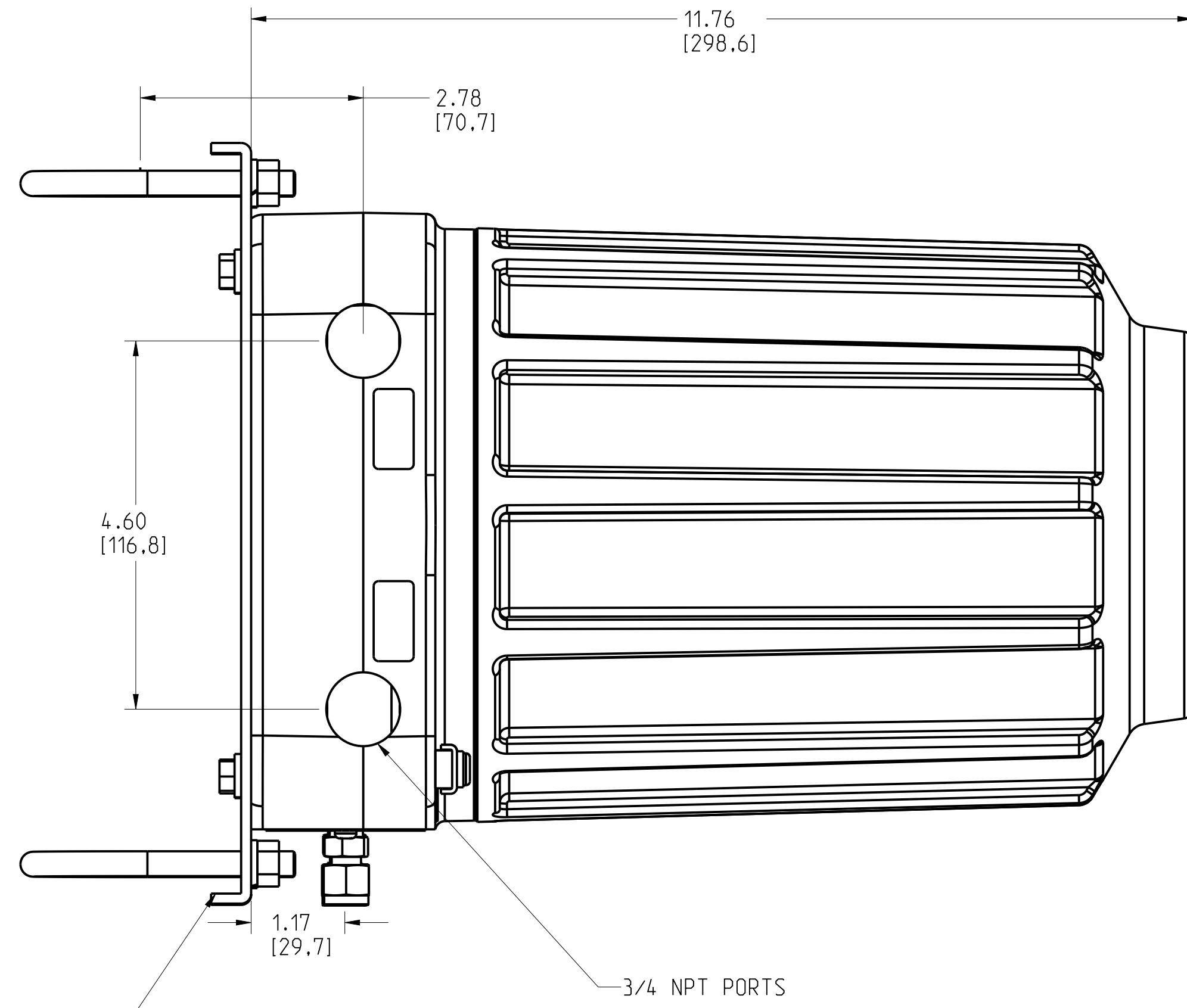
SIZE  
D

SCALE  
NTS

SHEET 1 OF 5

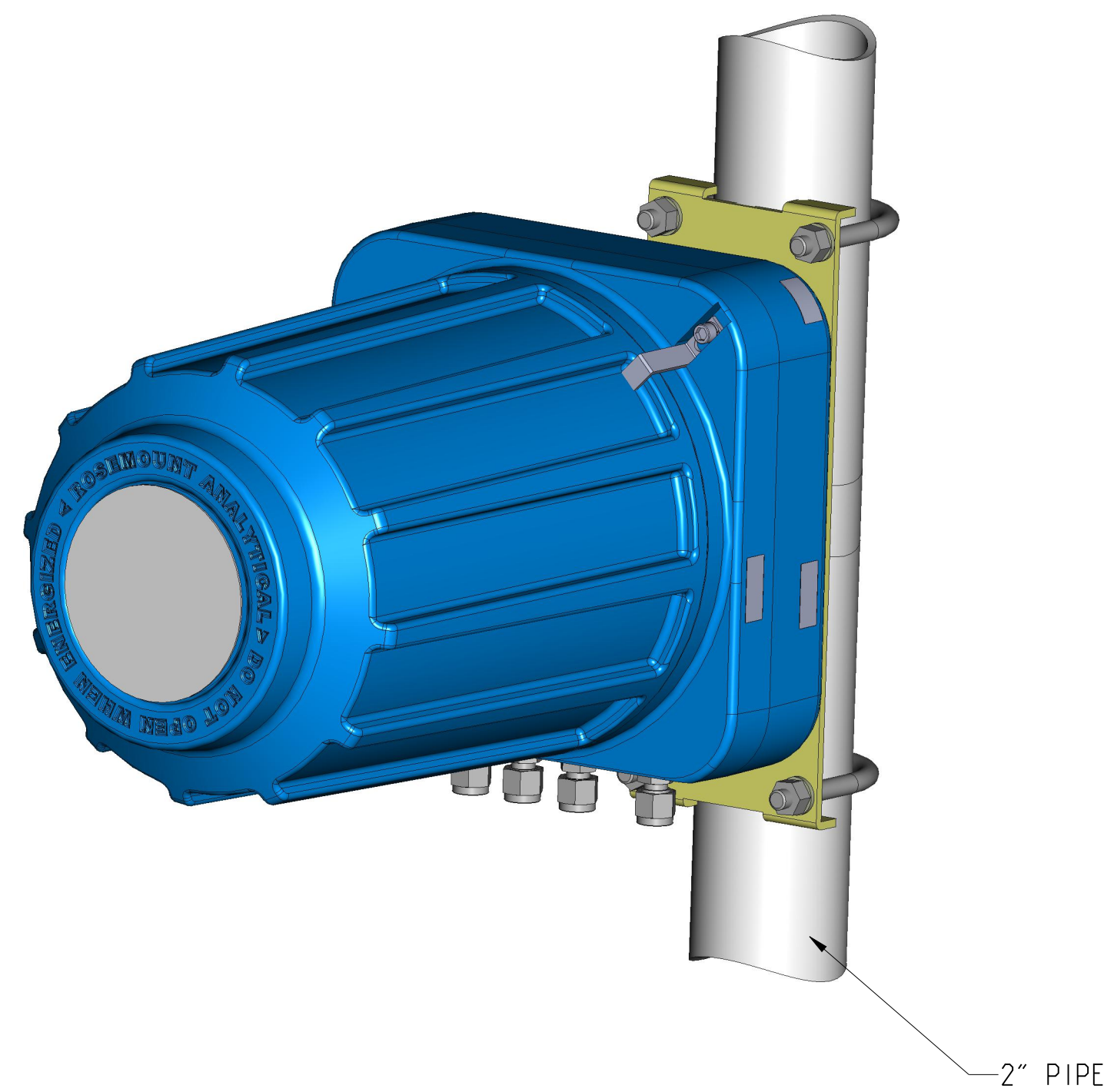
# ROSEMOUNT MODEL OCX8000 OXYGEN/COMBUSTIBLE TRANSMITTER

## ELECTRONIC HOUSING



INSTR. AIR OUTPUT  
LOW O2  
HI O2  
HI COMB.

MOUNTING BRACKET FOR  
REMOTE MOUNTING CONFIGURATION



ALL GAS FITTINGS ARE 1/4" TUBE FITTINGS

©2015 ROSEMOUNT, INC.  
ROSEMOUNT ANALYTICAL  
THIS DOCUMENT IS UNCLASSIFIED  
IN ACCORDANCE WITH  
ROSEMOUNT ENGINEERING  
SPECIFICATIONS.  
UNIT NOTES IN INCHES (mm).

REFERENCE ROSEMOUNT  
PRODUCT SHEETS FOR  
PRODUCT SPECIFICATIONS.  
CLICK HERE

3RD ANGLE

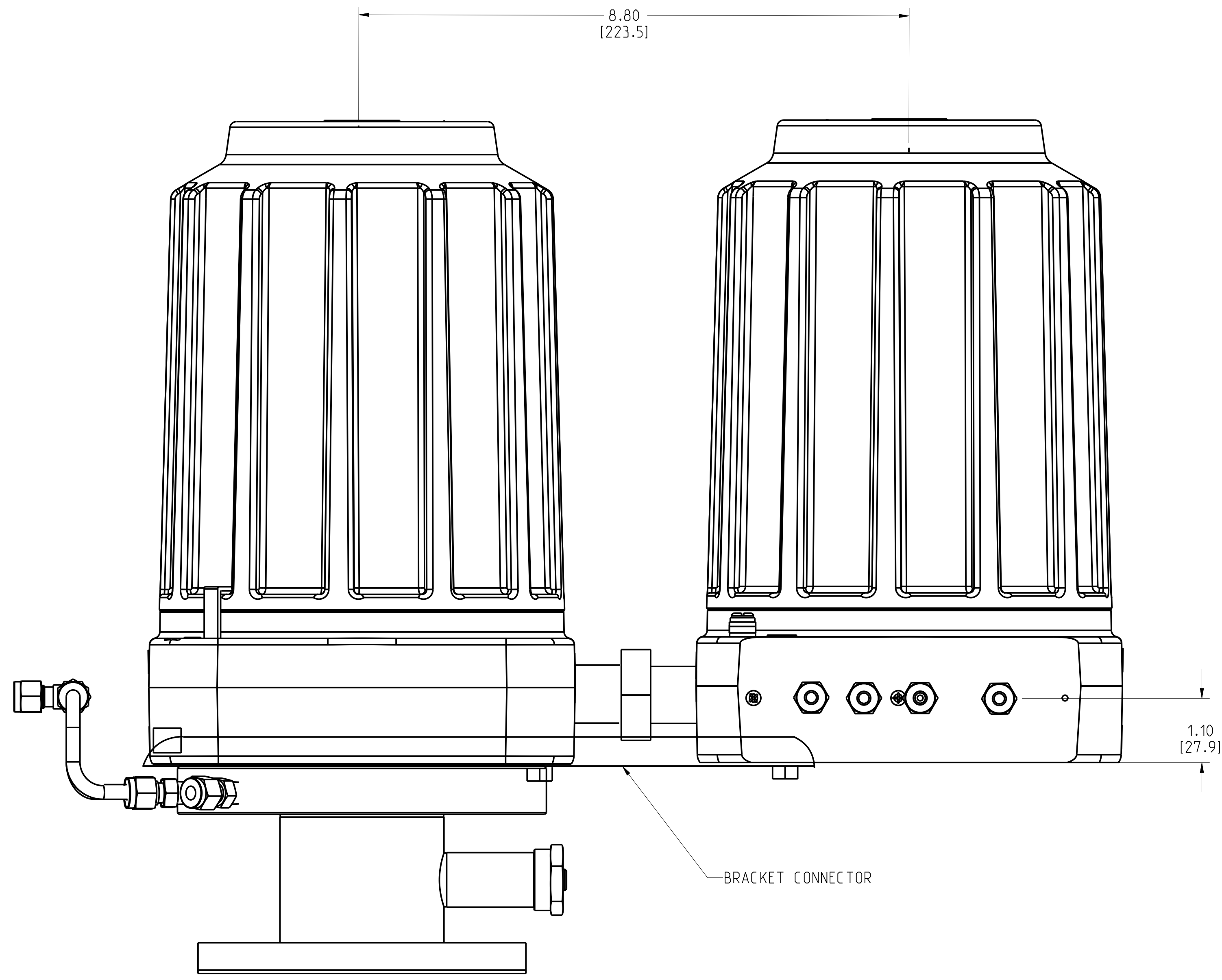
**EMERSON**

TITLE  
**ROSEMOUNT  
TYPE I DRAWING**

DR. J. ARMSTRONG | 10/18/18 | DRAWING NO.  
APP'D J. SUMSTED | 10/18/18 | **OCX8800-7000**

CAD MAINTAINED: (PRO/EI) | SHEET 2 OF 5

ROSEMOUNT MODEL OCX8800A AND C OXYGEN/COMBUSTIBLE TRANSMITTER  
ASSEMBLED



8.80  
[223.5]

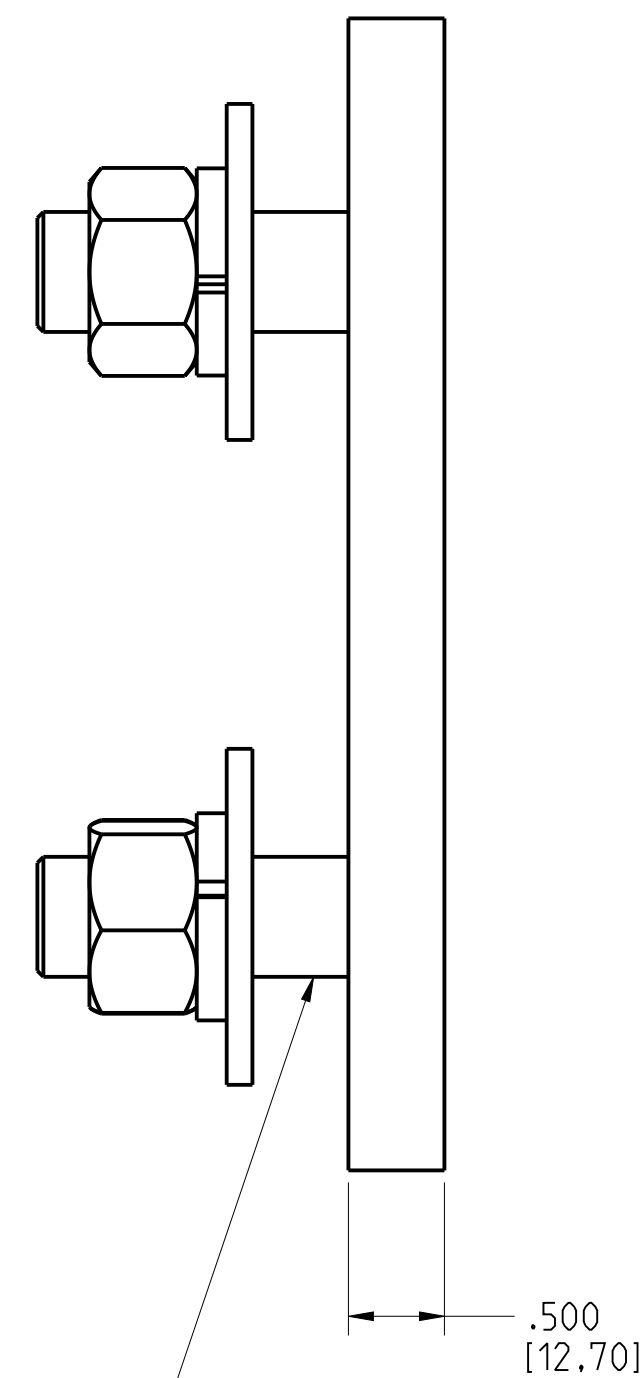
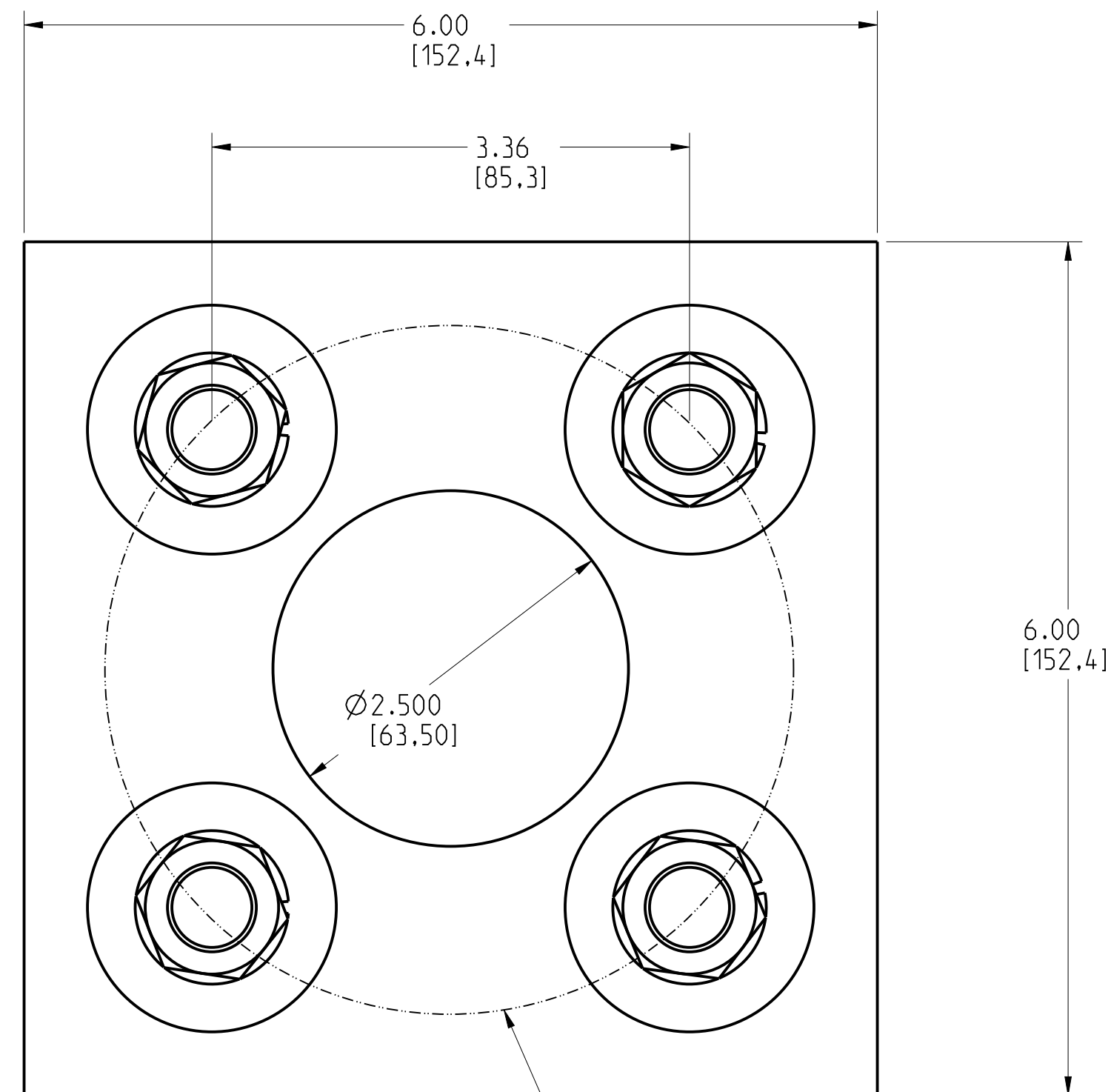
1.10  
[27.9]

BRACKET CONNECTOR

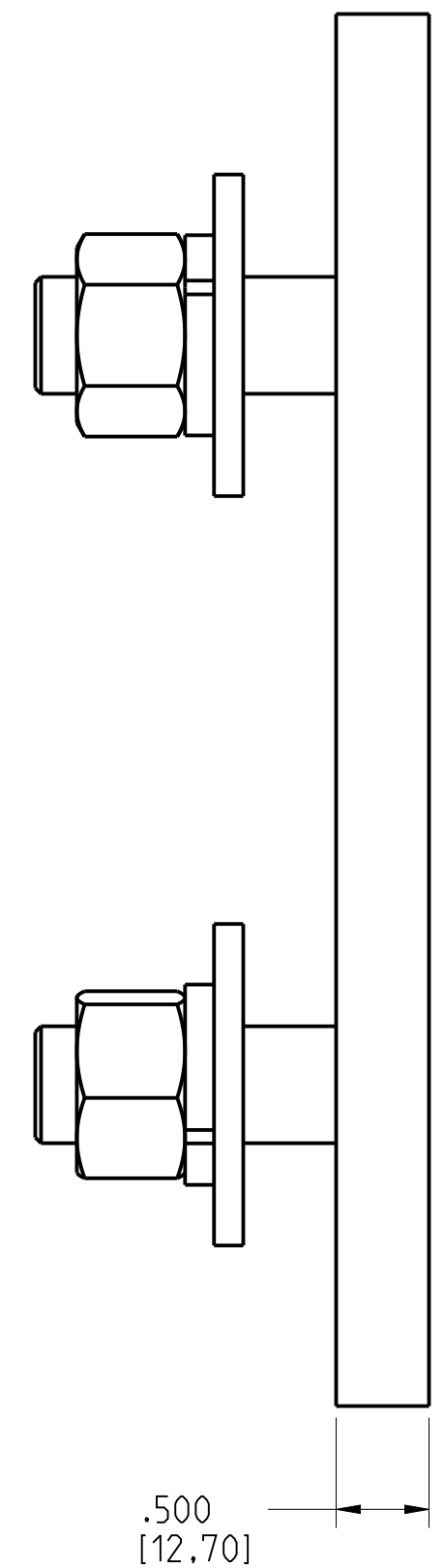
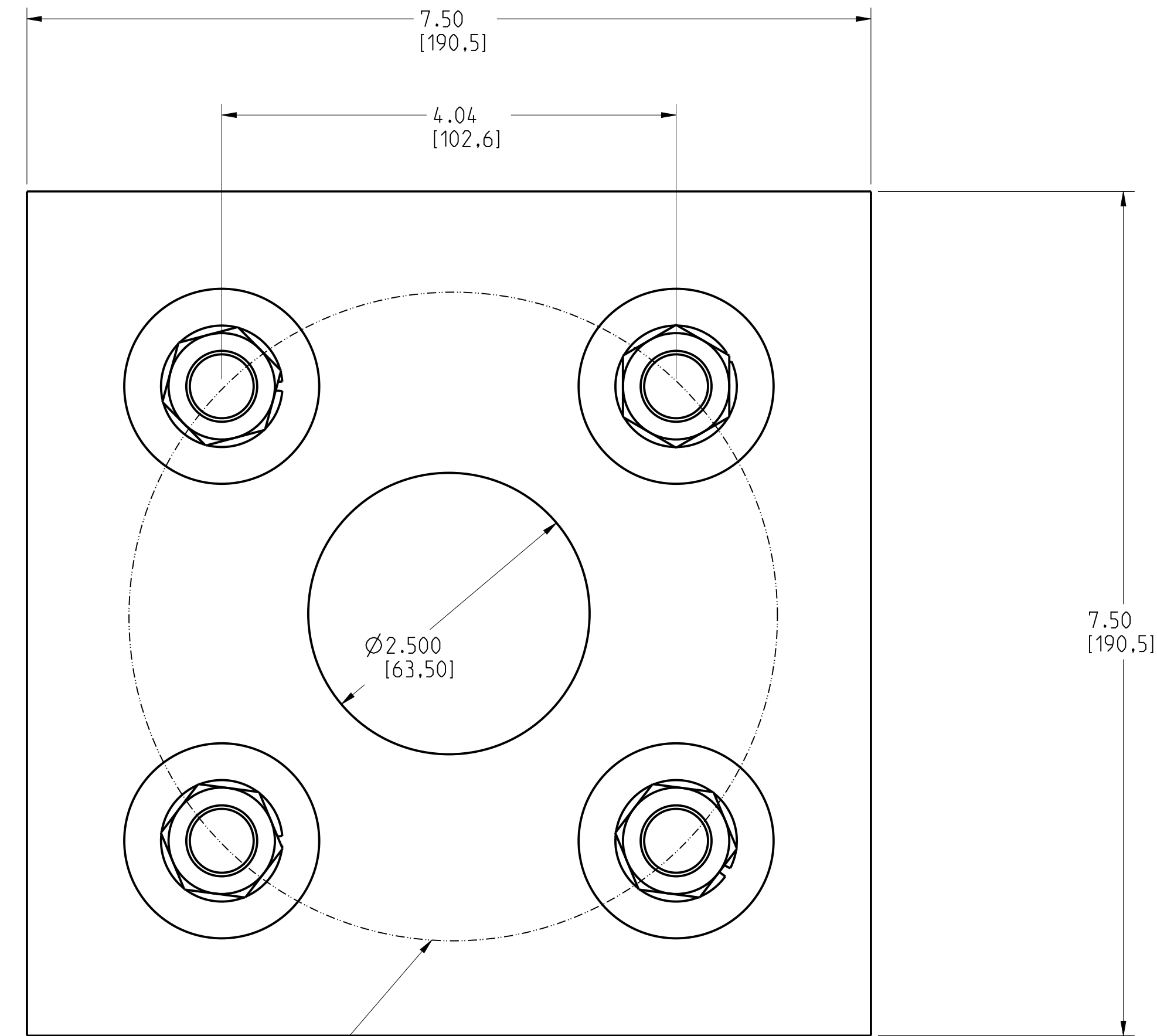
ALL GAS FITTINGS ARE 1/4" TUBE FITTINGS

<small>©2015 ROSEMOUNT, INC. ROSEMOUNT INC. EXPRESSLY DISCLAIMS LIABILITY FOR THIS DRAWING AND ASSUMES NO RESPONSIBILITY FOR ACCIDENTS OR INJURIES RESULTING FROM THE USE OF ROSEMOUNT ENGINEERING PRODUCTS OR SERVICES. UNIT NOTES IN INCHES (mm). REFERENCE ROSEMOUNT PRODUCT SPECIFICATIONS FOR PRODUCT SPECIFICATIONS. CLICK HERE</small>	<small>3RD ANGLE</small>	<small>SIZE</small> D	<small>SCALE</small> NTS
	TITLE <b>ROSEMOUNT TYPE I DRAWING</b>		
	<small>DR.</small> J. ARMSTRONG   <small>10/18/18</small>	<small>DRAWING NO.</small> OCX8800-7000	<small>APP'D</small> J. SUMSTED   <small>10/18/18</small>
<small>CAD MAINTAINED.</small> (PRO/EI)		SHEET 3 OF 5	

ROSEMOUNT MODEL OCX8000 OXYGEN/COMBUSTIBLE MOUNTING PLATES



4x 5/8-11 UNC-2A



©2015 ROSEMOUNT, INC.  
ROSEMOUNT INCORPORATES  
THIS INFORMATION IN  
THIS DRAWING IN ACCORDANCE WITH  
ROSEMOUNT ENGINEERING  
SPECIFICATIONS.  
UNIT NOTES IN INCHES (mm).

REFERENCE ROSEMOUNT  
PRODUCT SHEETS FOR  
PRODUCT SPECIFICATIONS.  
CLICK HERE

3RD ANGLE

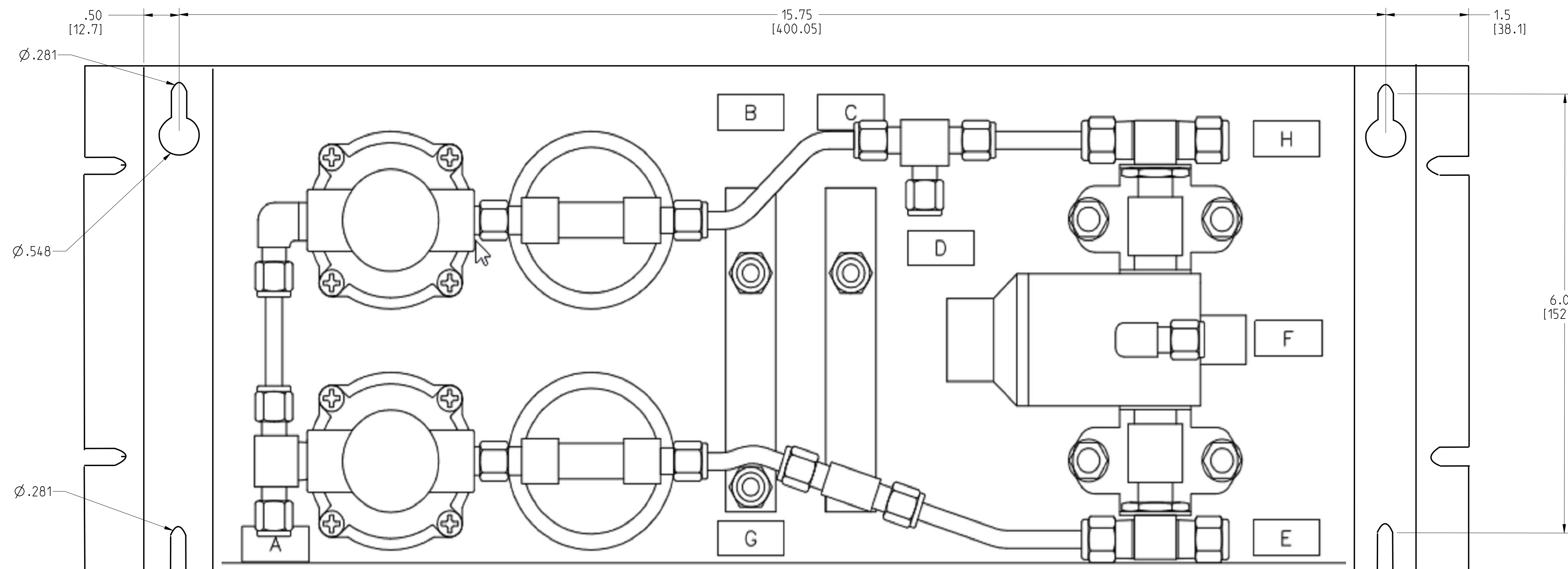
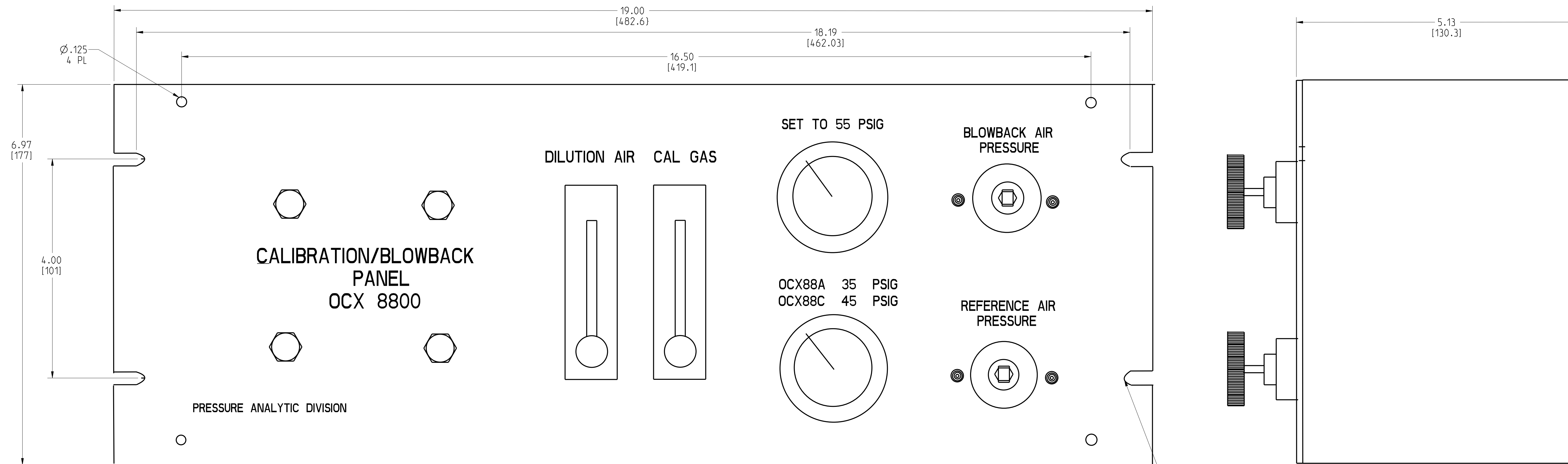
EMERSON

TITLE  
ROSEMOUNT  
TYPE I DRAWING

DR. J. ARMSTRONG 10/18/18 DRAWING NO.  
APP'D J. SUMSTED 10/18/18 OCX8800-7000

CAD MAINTAINED (PRO/E) SHEET 4 OF 5

ROSEMOUNT MODEL OCX8000 OXYGEN/COMBUSTIBLE BLOWBACK PANEL



©2015 ROSEMOUNT, INC.  
ROSEMOUNT INCORPORATES  
THIS INFORMATION IN  
THIS DOCUMENT WITH  
ROSEMOUNT ENGINEERING  
SPECIFICATIONS.  
UNIT NOTES IN INCHES (mm).

REFERENCE ROSEMOUNT  
PRODUCT SPECIFICATIONS FOR  
PRODUCT SPECIFICATIONS.  
CLICK HERE

3RD ANGLE

EMERSON

TITLE  
ROSEMOUNT  
TYPE I DRAWING

DR. J. ARMSTRONG 10/18/18 DRAWING NO.  
APP'D J. SUMSTED 10/18/18 OCX8800-7000

CAD MAINTAINED (PRO/E) SHEET 5 OF 5