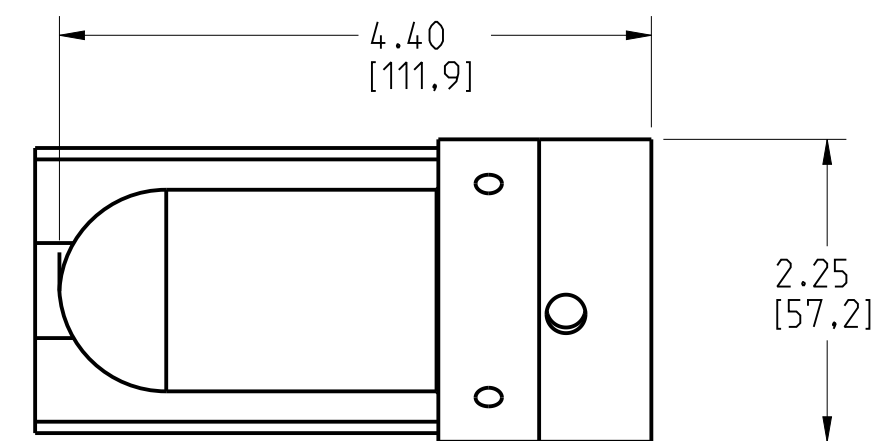


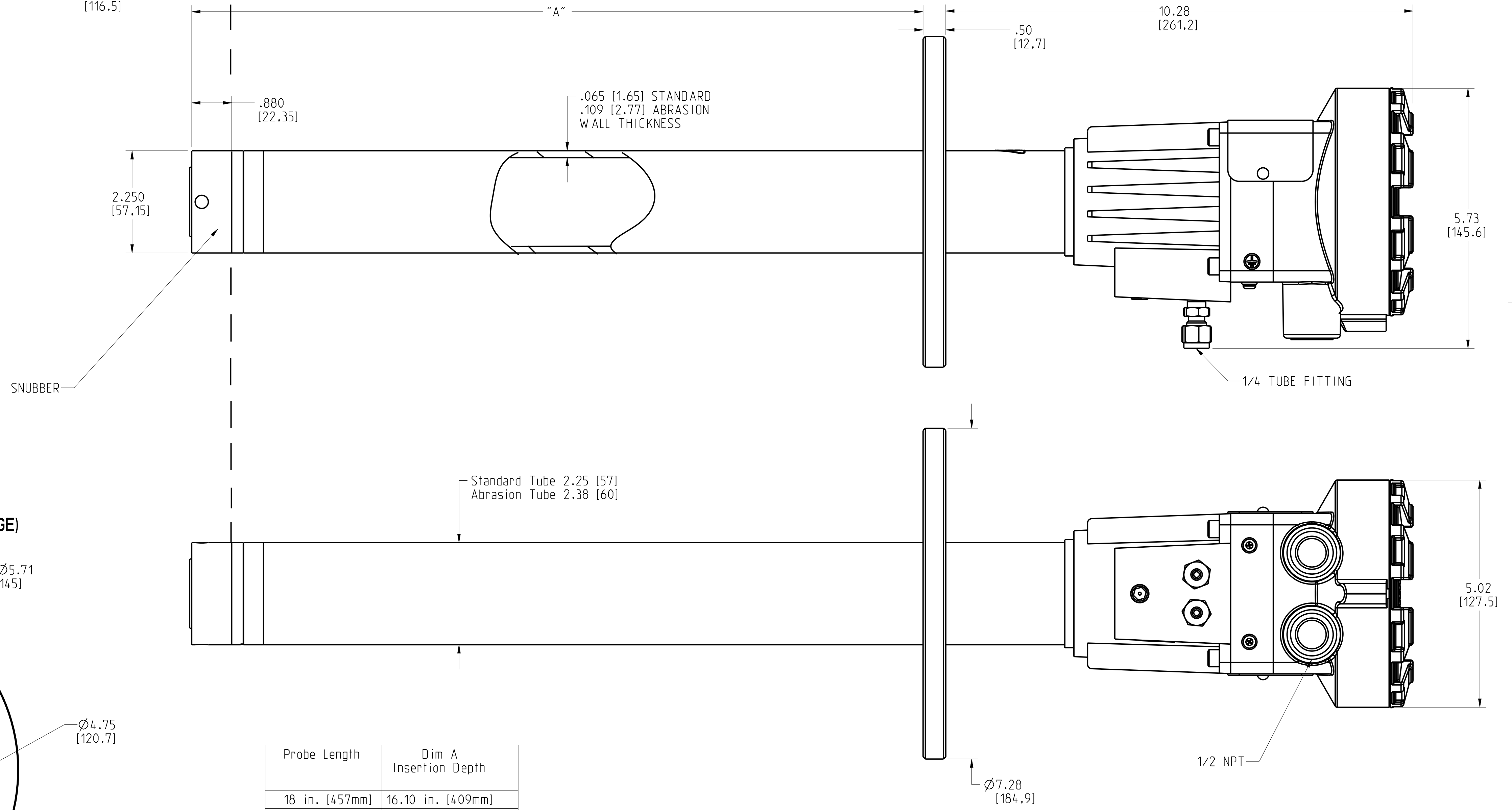
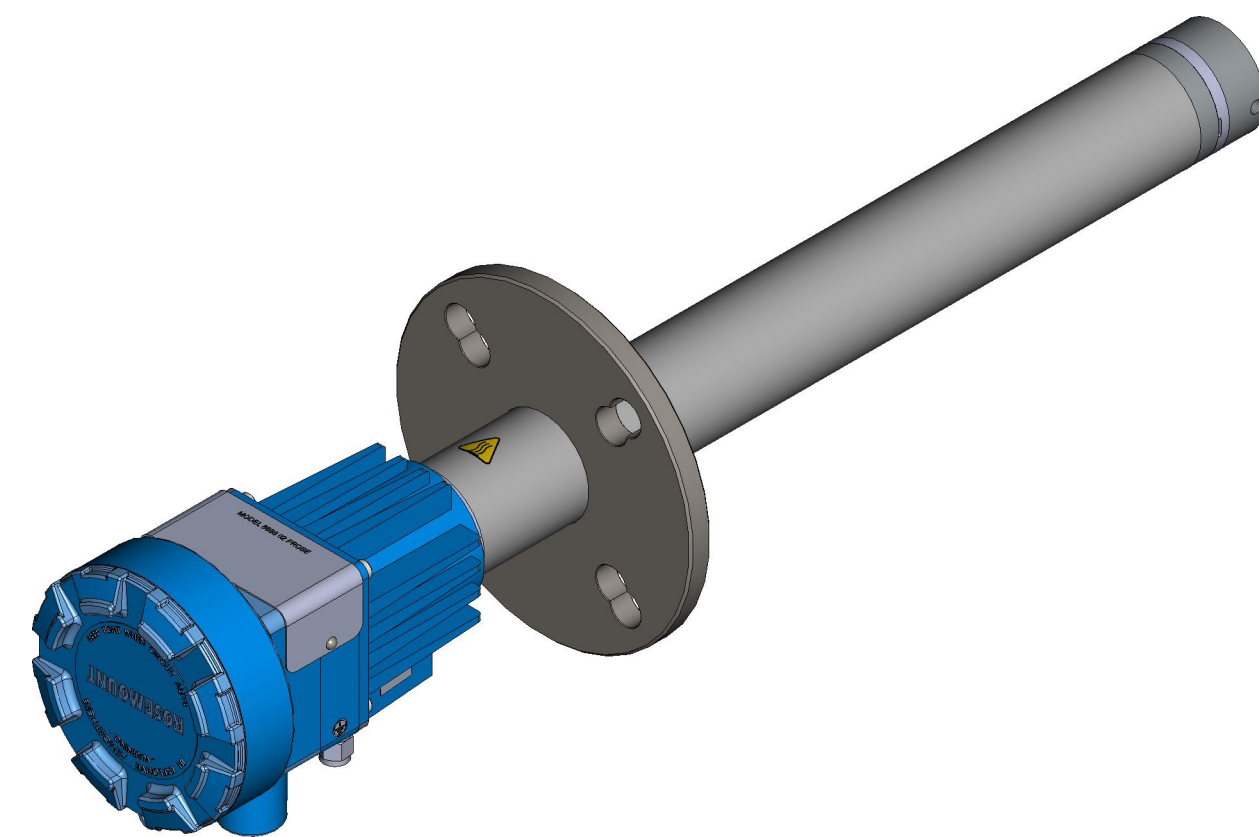
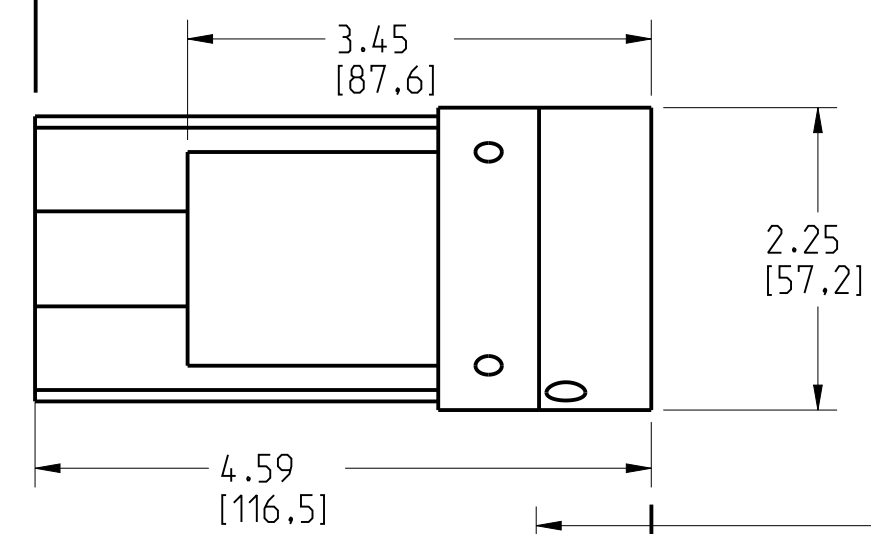
ROSEMOUNT MODEL 6888A OXYGEN PROBE STANDARD HOUSING

REVISION TABLE			
REVISION	ECO NO.	APP'D	DATE
AC	12714	N. JOHNSON	7/25/20
DESCRIPTION			
Add UPDATED DIMENSIONS			

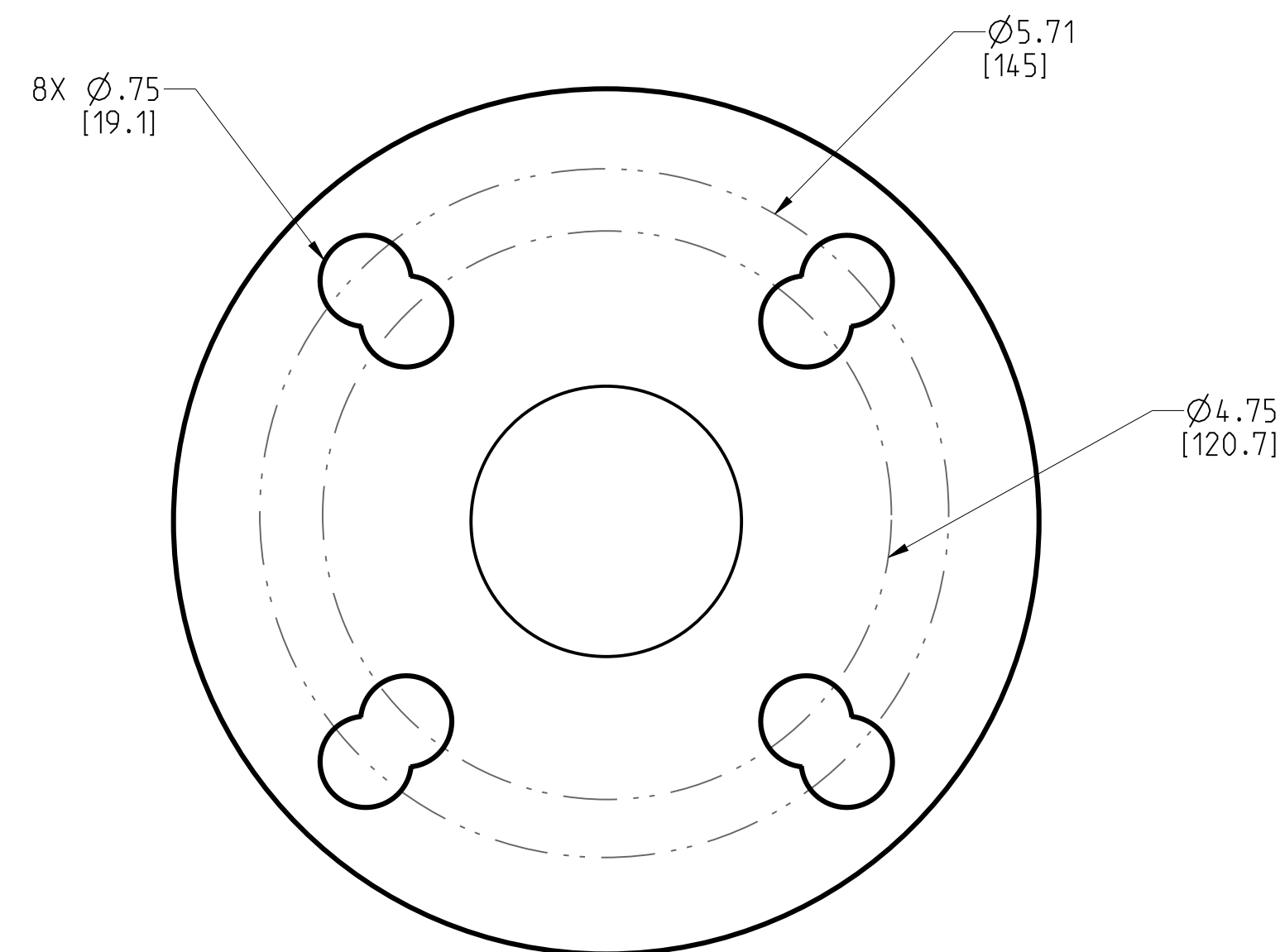
CERAMIC DIFFUSER



HASTELLOY DIFFUSER



PROBE FLANGE (FITS 2" ANSI AND DN FLANGE)



Probe Length	Dim A Insertion Depth
18 in. [457mm]	16.10 in. [409mm]
3 ft. [91m]	34.14 in. [867.2mm]
6 ft. [1.83m]	70.14 in. [1782mm]
9 ft. [2.74m]	106.1 in. [2655mm]
12 ft. [3.66m]	142.1 in. [3569mm]
15 ft. [4.57m]	178.1 in. [4523.7mm]
18 ft. [5.49m]	214.1 in. [5438.1mm]

NOTE:
All dimensions are in inches [mm]

©2015 ROSEMOUNT, INC. ALL RIGHTS RESERVED. THIS DRAWING IS THE PROPERTY OF ROSEMOUNT ENGINEERING. UNLESS OTHERWISE SPECIFIED, ALL DIMENSIONS ARE IN INCHES (MM).

REFERENCE ROSEMOUNT PRODUCT SPECIFICATIONS FOR PRODUCT SPECIFICATIONS. CLICK HERE

3RD ANGLE

EMERSON

TITLE ROSEMOUNT OXYGEN TRANS. TYPE I DRAWING

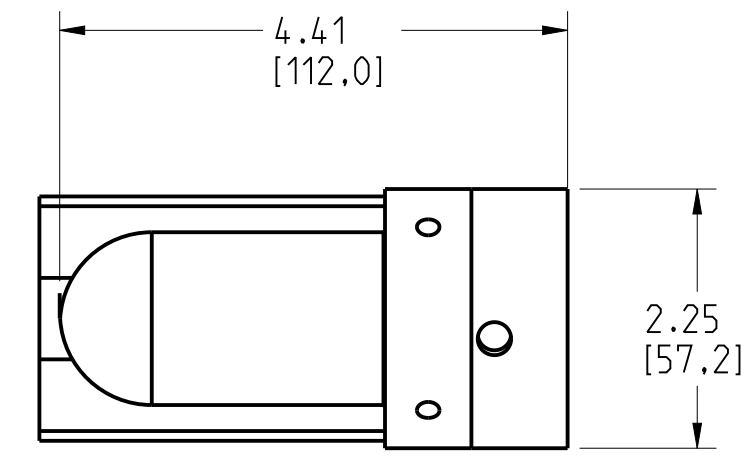
DR. J. ARMSTRONG 8/7/18 DRAWING NO. 06888-7000

APP'D A. BALCH 8/7/18

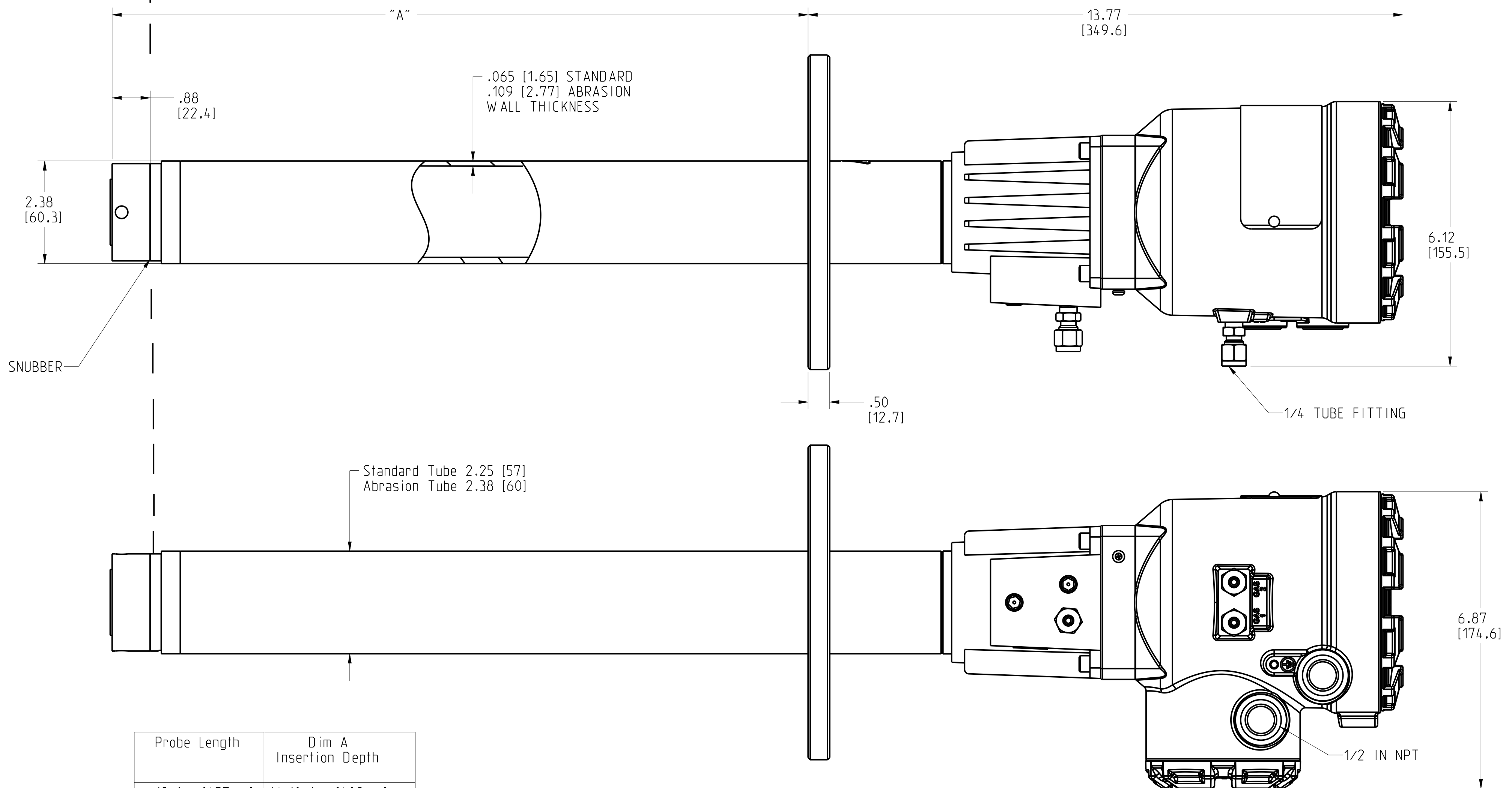
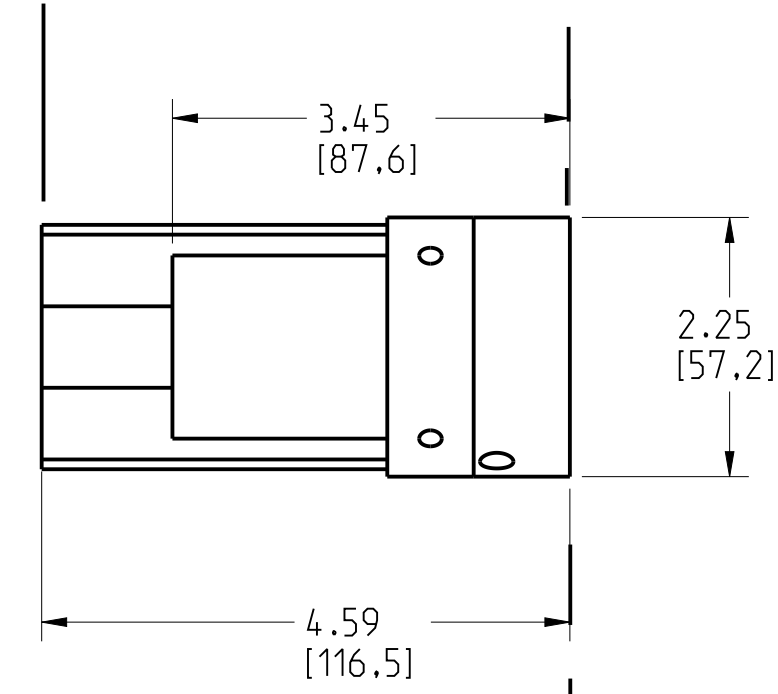
CAD MAINTAINED (PRO/E) SHEET 1 OF 4

ROSEMOUNT MODEL 6888A OXYGEN PROBE AUTOCAL HOUSING

CERAMIC DIFFUSER



HASTELLOY DIFFUSER

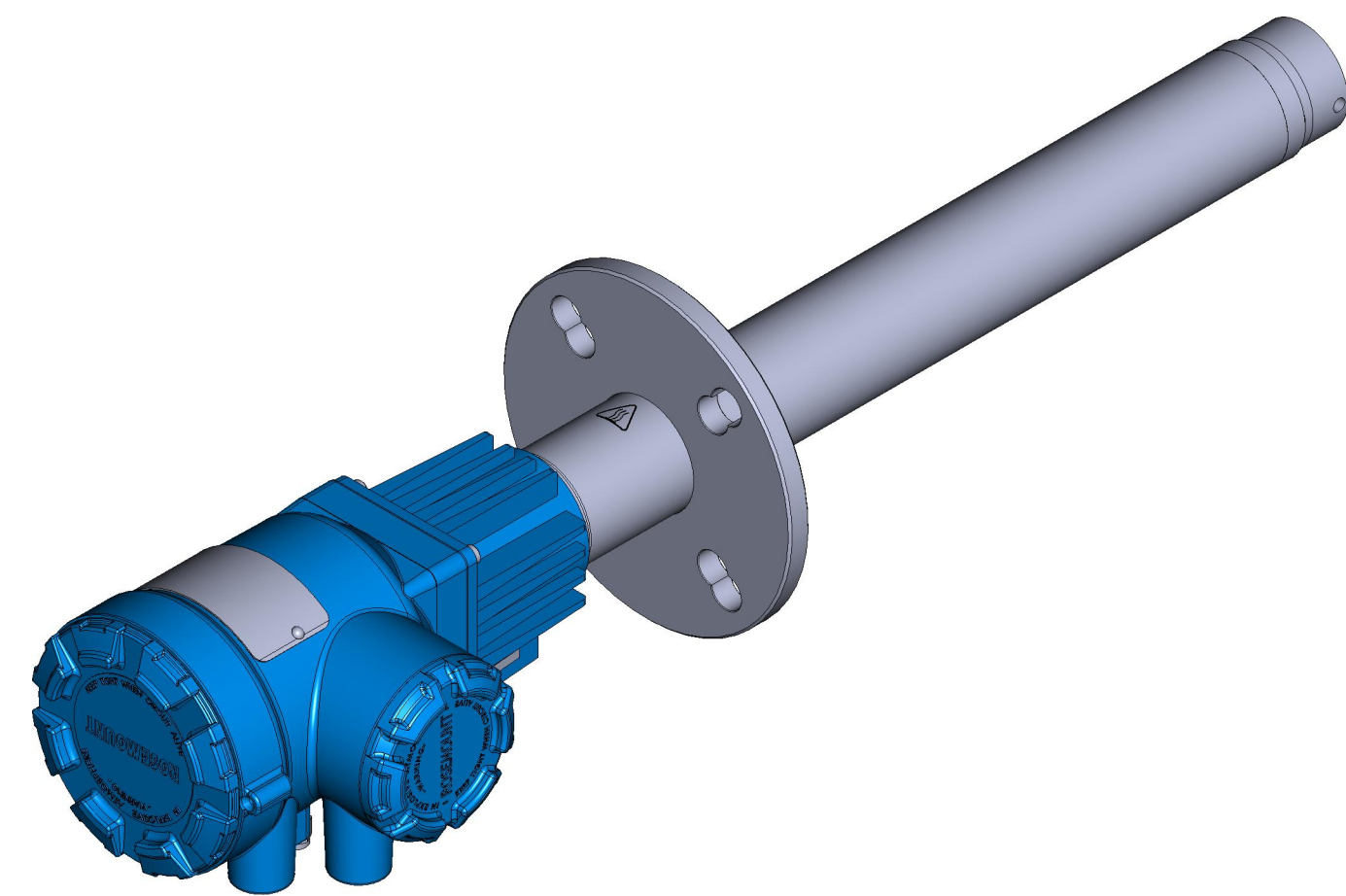


SNUBBER

Standard Tube 2.25 [57]
Abrasion Tube 2.38 [60]

1/4 TUBE FITTING

1/2 IN NPT



Probe Length	Dim A Insertion Depth
18 in. [457mm]	16.10 in. [409mm]
3 ft. [.91m]	34.14 in. [867.2mm]
6 ft. [1.83m]	70.14 in. [1782mm]
9 ft. [2.74m]	106.1 in. [2655mm]
12 ft. [3.66m]	142.1 in. [3569mm]
15 ft. [4.57m]	178.1 in. [4523.7mm]
18 ft. [5.49m]	214.1 in. [5438.1mm]

©2015 ROSEMOUNT, INC. ALL RIGHTS RESERVED. THIS DRAWING IS THE PROPERTY OF ROSEMOUNT, INC. AND IS TO BE USED ONLY FOR THE SPECIFIC PROJECT AND PRODUCT SPECIFICATIONS. UNLESS OTHERWISE SPECIFIED, ALL DIMENSIONS ARE IN INCHES (MILLIMETERS).

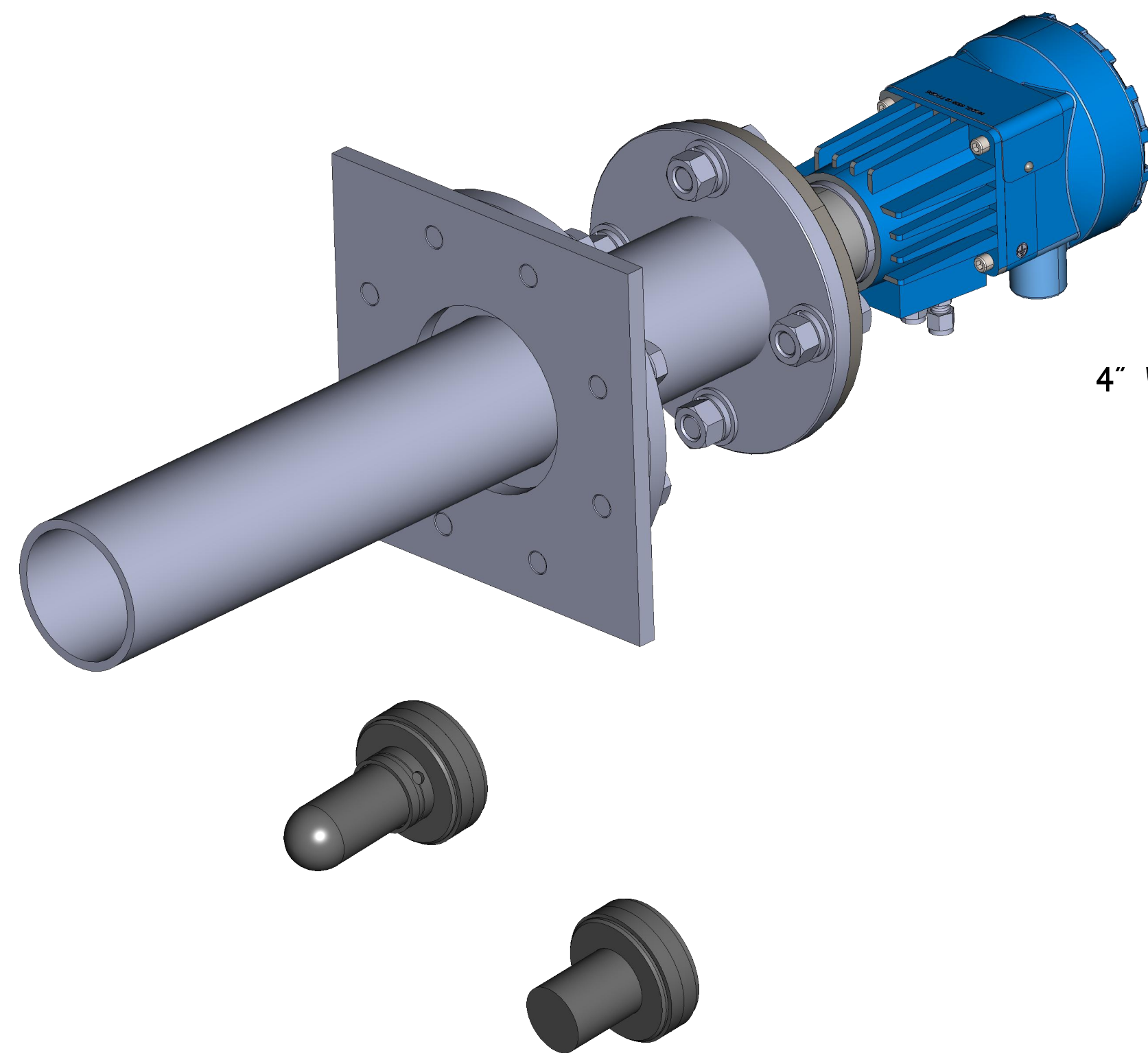
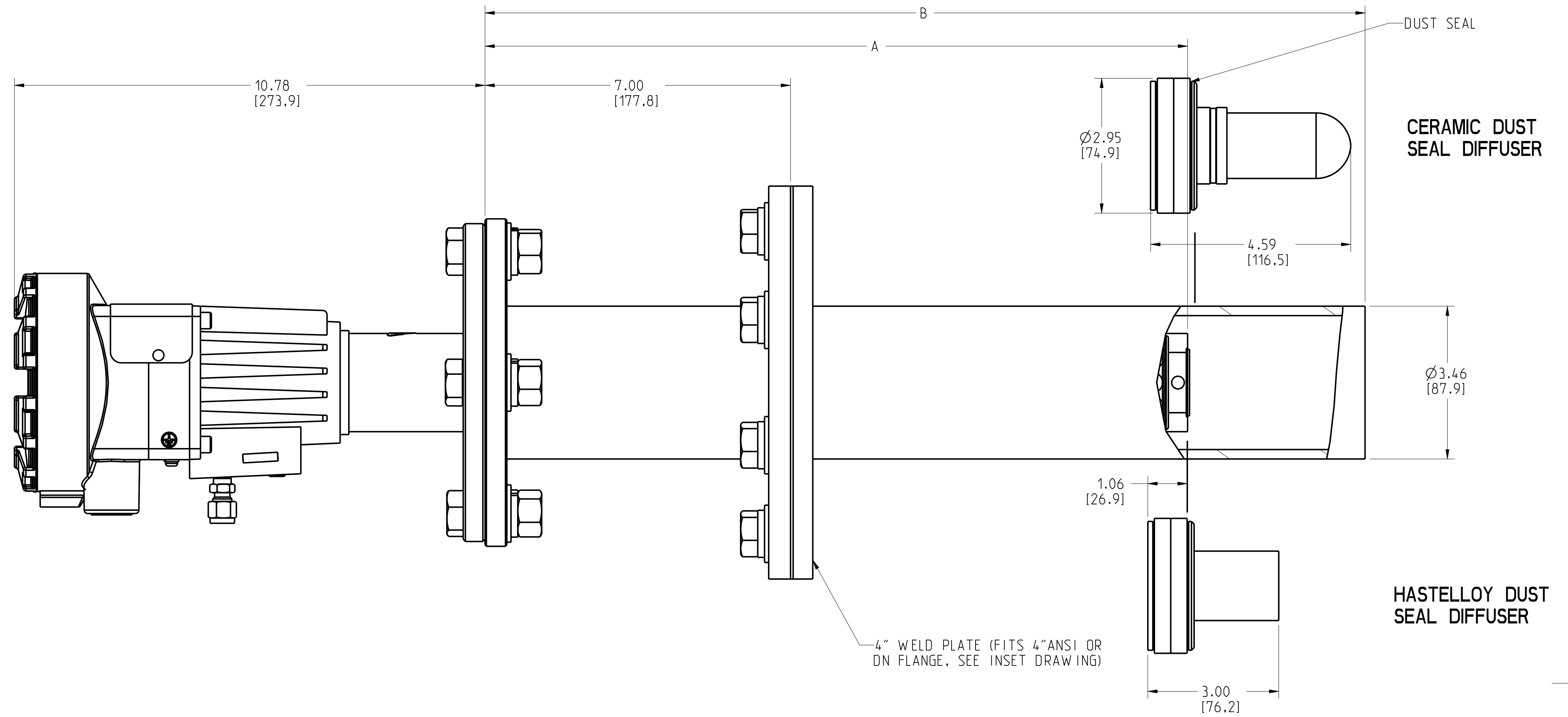
EMERSON
ROSEMOUNT OXYGEN TRANS.
TYPE I DRAWING

DR. J. ARMSTRONG 8/7/18 DRAWING NO. 06888-7000
APP'D A. BALCH 8/7/18
CAD MAINTAINED (PRO/E) SHEET 2 OF 4

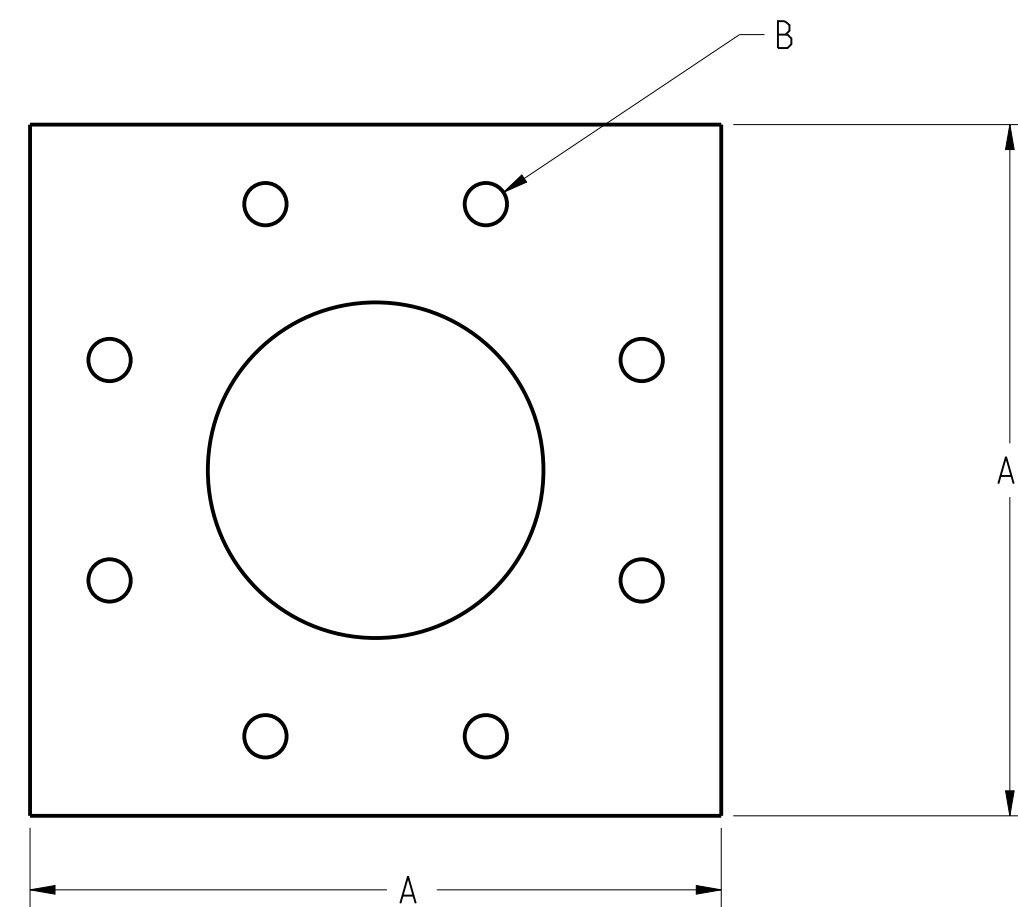
ROSEMOUNT MODEL 6888A OXYGEN PROBE STANDARD HOUSING WITH ABRASIVE SHIELD

DIMENSIONS

ANSI	DIM A	DIM B
18 in. [457mm]	16.27 in. [413.3mm]	20.1 in. [510.5mm]
3 ft. [.91m]	34.27 in. [870.5]	38.1 in. [967.7mm]
6 ft. [1.83m]	70.27 in. [1784.9mm]	74.1 in. [1882.1mm]
9 ft. [2.74m]	106.27 in. [2699.3mm]	110.1 in. [2796.5mm]
12 ft. [3.66m]	142.27 in. [3613.6mm]	146.1 in. [3710.9mm]
15 ft. [4.57m]	178.27 in. [4528mm]	182.1 in. [4625.3mm]
18 ft. [5.49m]	214.27 in. [5442.5mm]	218.1 in. [5539.7mm]



4" WELD PLATE (FITS 4" ANSI OR DN FLANGE)



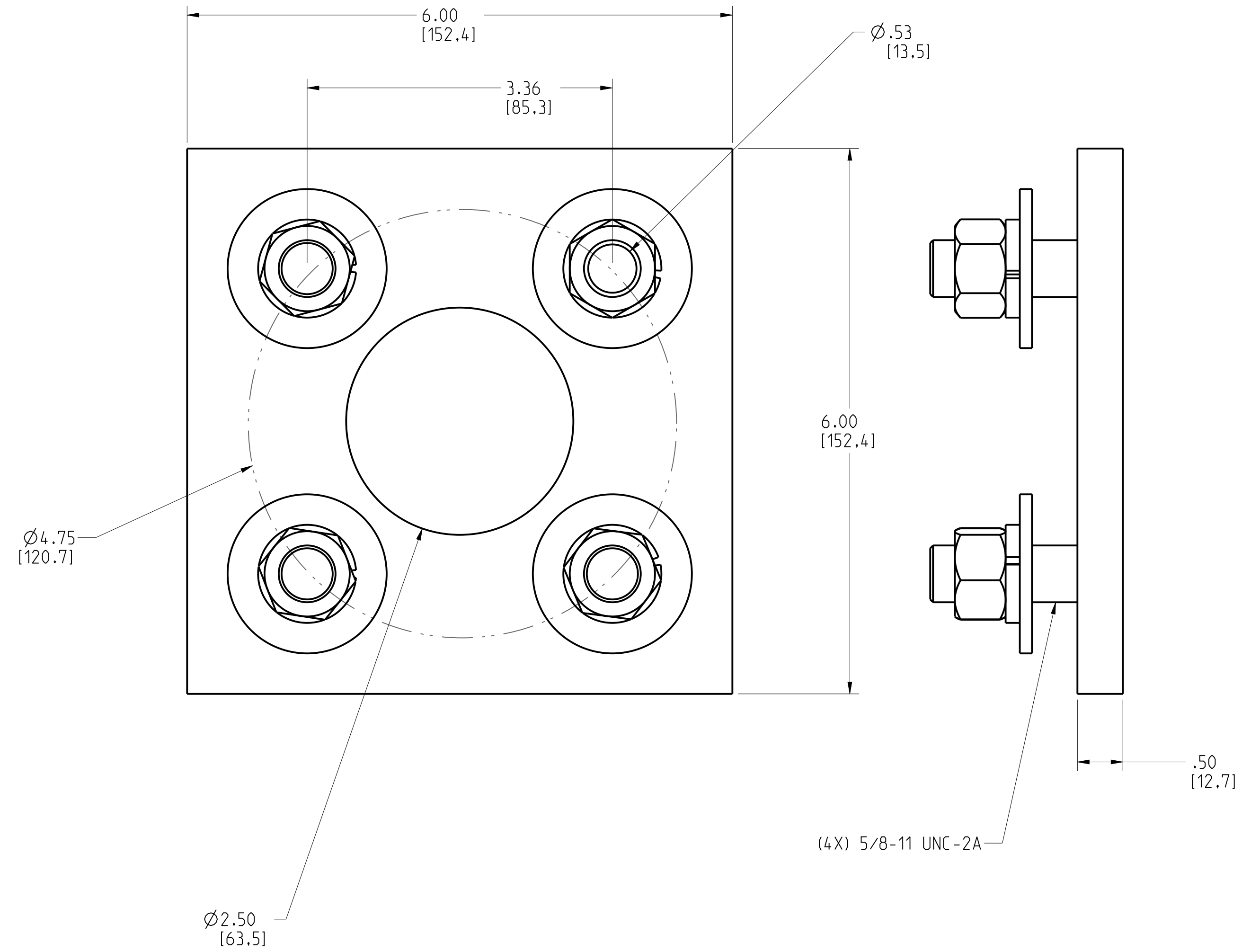
STANDARD	DIM A	DIM B Ø THRU
ANSI	9.00 [228.6]	5/8-11
DIN	9.25 [228.6]	M20 X 2.5

©2015 ROSEMOUNT, INC.
ROSEMOUNT AND ALL OTHER
TRADEMARKS ARE REGISTERED IN
THESE DRAWINGS IN ACCORDANCE WITH
ROSEMOUNT ENGINEERING
SPECIFICATIONS.
UNIT NOTES IN INCHES (mm).
REFERENCE ROSEMOUNT FOR
PRODUCT SPECIFICATIONS.
CLICK HERE

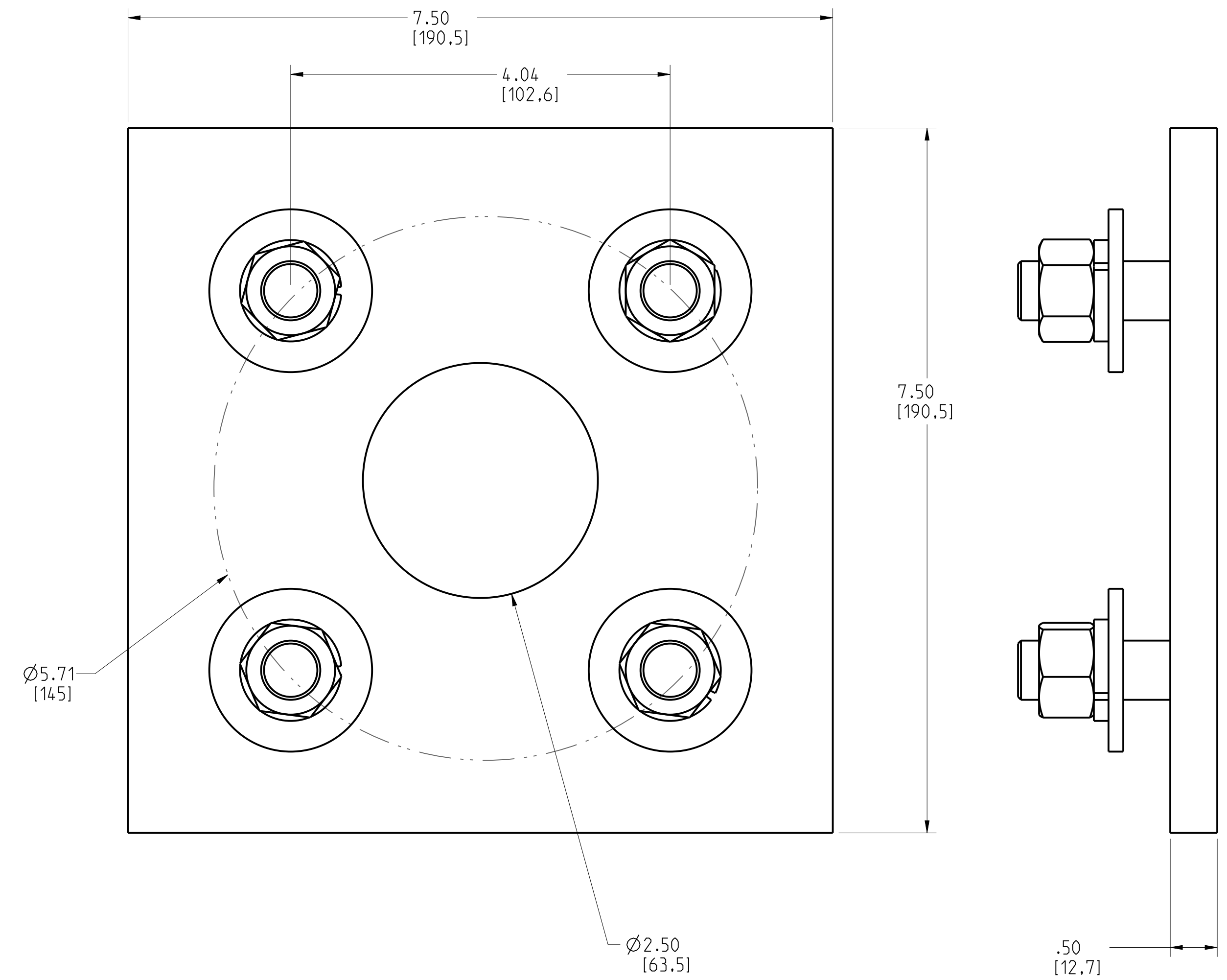
		3RD ANGLE		SIZE	SCALE
		D		D	NTS
TITLE ROSEMOUNT OXYGEN TRANS. TYPE I DRAWING					
DR. J. ARMSTRONG	8/7/18	DRAWING NO.		06888-7000	
APP'D A. BALCH	8/7/18				
CAD MAINTAINED (PRO/CI)				SHEET 3 OF 4	

ROSEMOUNT MODEL 6888A MOUNTING PLATES

WELD PLATE (FITS 2" ANSI PROBE FLANGE)



WELD PLATE (FITS 2" DN PROBE FLANGE)



©2015 ROSEMOUNT, INC.
ROSEMOUNT INC. CERTIFIES
THIS DRAWING ACCORDING TO
THE ACCORDANCE WITH
ROSEMOUNT ENGINEERING
SPECIFICATIONS.
UNIT NOTES IN INCHES (mm).

REFERENCE ROSEMOUNT
PRODUCT SPECIFICATIONS FOR
PRODUCT SPECIFICATIONS.
CLICK HERE

		3RD ANGLE		SIZE D	SCALE NTS
TITLE ROSEMOUNT OXYGEN TRANS. TYPE I DRAWING					
DR. J. ARMSTRONG	8/7/18	DRAWING NO.		06888-7000	
APP'D A. BALCH	8/7/18				
CAD MAINTAINED (PRO/E)				SHEET 4 OF 4	