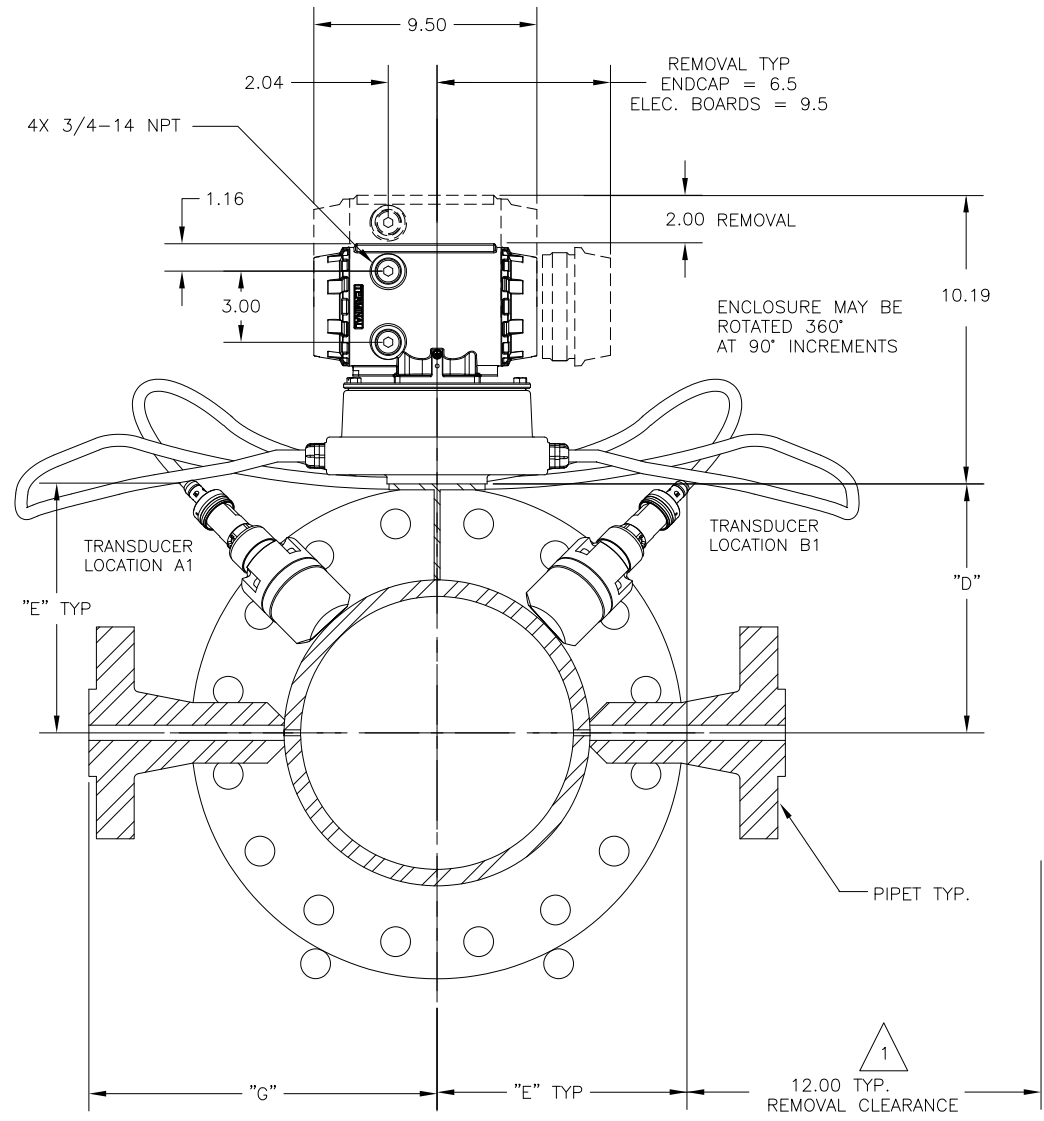
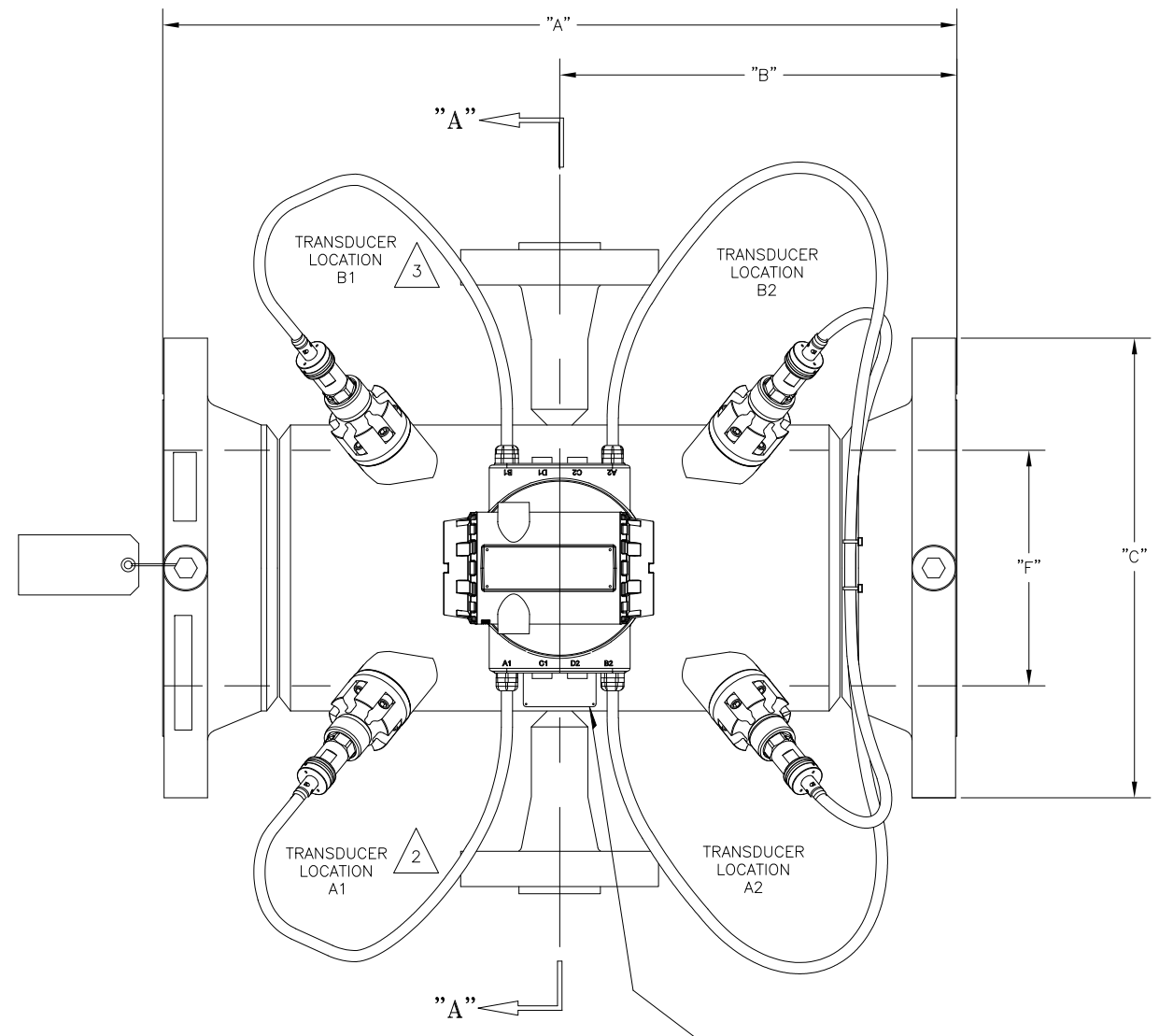


NOTES:

- 1. VERIFY TYPE OF TRANSDUCER CAPSULE INSTALLED IN THE METER PRIOR TO REMOVING IT. PLEASE CONSULT 3410 SERIES ULTRASONIC FLOW METER MAINTENANCE AND TROUBLESHOOTING MANUAL AVAILABLE AT WWW.EMERSON.COM FOR TRANSDUCER CAPSULE REMOVAL PROCEDURES. VENT ALL LINE PRESSURE FROM METER BEFORE REMOVING A T-21 OR T-41 TRANSDUCER CAPSULE.
- 2. SINGLE PATH METERS USE A1-A2 TRANSDUCER PATH ONLY.
- 3. DUAL PATH METERS USE A1-A2 & B1-B2 TRANSDUCER PATHS.



* CAST BODY

SIZE	OVERALL END TO END	CENTER TO END	DIAMETER OF FLANGE	CENTER OF HOUSING TO MOUNTING BOSS	CENTER OF HOUSING TO TRANSDUCER CONNECTOR	CENTER OF HOUSING TO END OF PIPET	APPROXIMATE WEIGHT WITH T-SLOT TRANSDUCER	RING NUMBER
	A	B	C	D	E	G	W.T. (LBS)	R
* 4"	20.00	10.00	11.50	8.12	7.27	8.34	325	R37
4"	31.00	15.50	11.50	6.25	8.53	8.34	315	R37
* 6"	28.00	14.00	15.00	9.16	8.12	9.40	545	R45
6"	37.00	18.50	15.00	7.31	9.28	9.40	495	R45
8"	41.00	20.50	18.50	8.31	10.00	10.40	735	R49
10"	40.00	20.00	21.50	9.38	10.75	11.47	1015	R53
12"	47.00	23.50	24.00	10.38	11.44	12.47	1415	R57
14"	42.00	21.00	25.25	11.00	11.88	13.09	1555	R62
16"	44.00	22.00	27.75	12.00	12.59	14.09	1935	R66
18"	48.00	24.00	31.00	13.00	13.31	15.09	2605	R70
20"	64.00	32.00	33.75	14.00	14.00	16.09	3685	R74
24"	72.50	36.25	41.00	16.00	15.44	18.09	6285	R78

TAG EQUIPMENT NUMBER	SIZE	BORE ("F")

	MODEL: 3411/3412 SINGLE AND DUAL PATH 4"-24" JUNIORSONIC FLOWMETER W/PIPETS RF & RTJ FLG PRESSURE CLASS 900 F/K MOUNTS F/T21 AND T41 TRANSDUCERS	TEMPLATE BY: PH	MATERIALS (WHERE APPLICABLE): N/A
		TEMPLATE APPROVED: KG	
		TEMPLATE REV: BA	
		DIMENSIONS ARE IN INCHES	
	DRAWING NO: DMC006209	NOT TO SCALE	

BA	CA:1213843	02-16-23
B	ECO SP1568	03-13-12
A	RELEASED	06-27-11
REV	DESCRIPTION	DATE

CERTIFIED APPROVAL

CUSTOMER: _____

PROJECT: _____

PO NUMBER: _____

SO NUMBER: _____

CERTIFIED BY: _____

DATE: _____

CUSTOMER APPROVAL: _____

DATE: _____

DOCUMENT NUMBER: _____