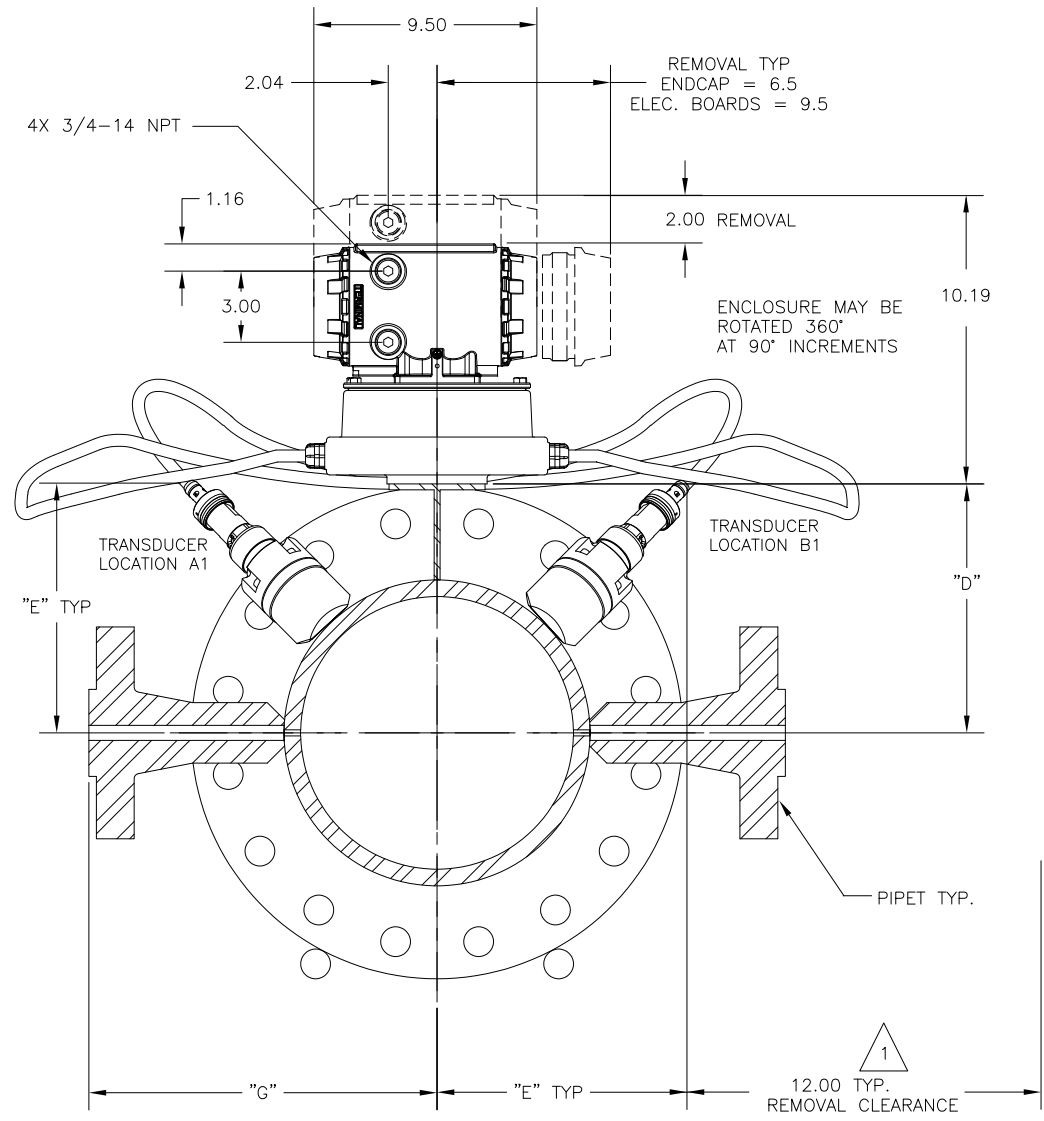
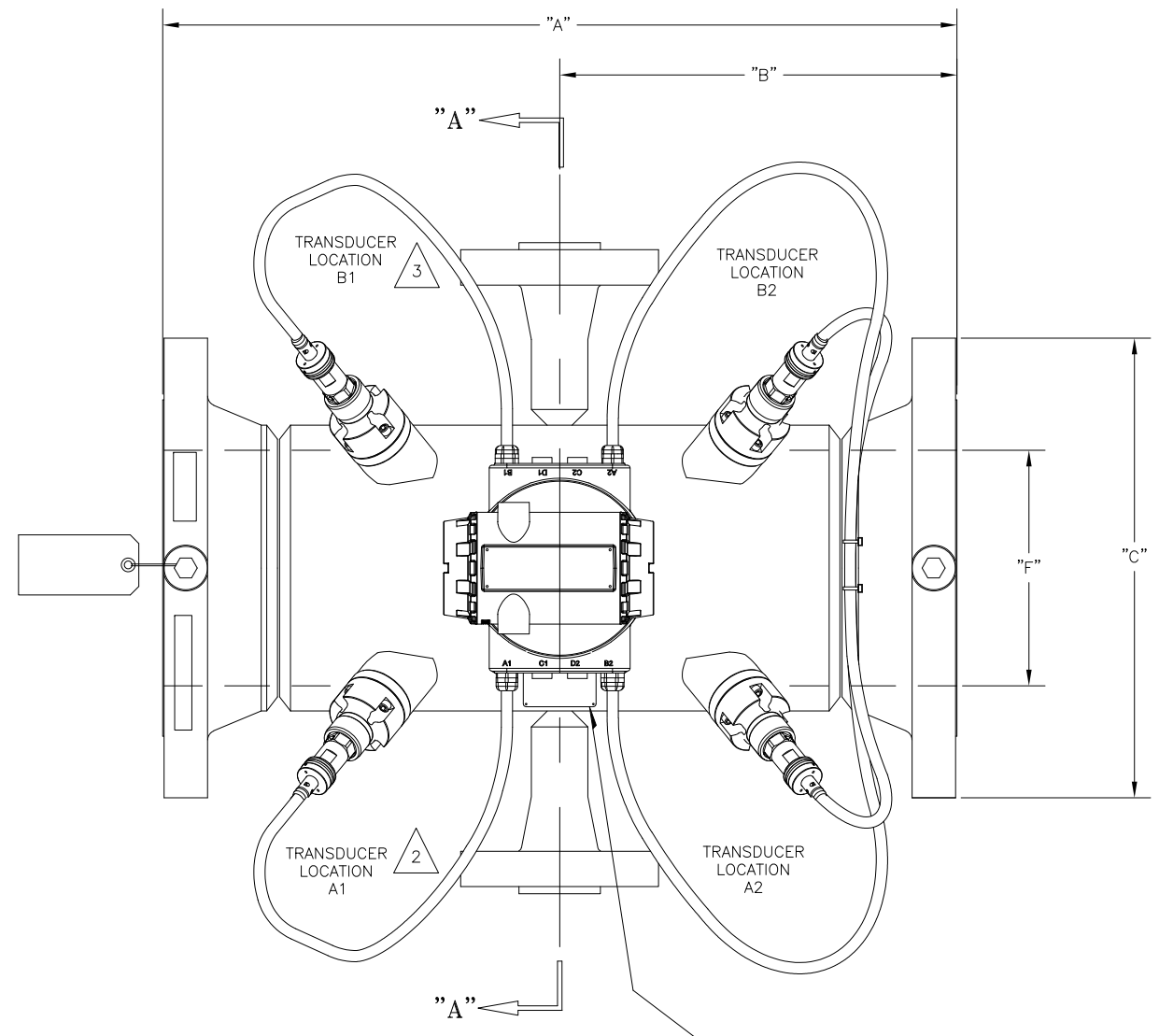


NOTES:

- 1. VERIFY TYPE OF TRANSDUCER CAPSULE INSTALLED IN THE METER PRIOR TO REMOVING IT. PLEASE CONSULT 3410 SERIES ULTRASONIC FLOW METER MAINTENANCE AND TROUBLESHOOTING MANUAL AVAILABLE AT WWW.EMERSON.COM FOR TRANSDUCER CAPSULE REMOVAL PROCEDURES. VENT ALL LINE PRESSURE FROM METER BEFORE REMOVING A T-21 OR T-41 TRANSDUCER CAPSULE.
- 2. SINGLE PATH METERS USE A1-A2 TRANSDUCER PATH ONLY.
- 3. DUAL PATH METERS USE A1-A2 & B1-B2 TRANSDUCER PATHS.



* CAST BODY

SIZE	OVERALL END TO END	CENTER TO END	DIAMETER OF FLANGE	CENTER OF HOUSING TO MOUNTING BOSS	CENTER OF HOUSING TO TRANSDUCER CONNECTOR	CENTER OF HOUSING TO END OF PIPET	APPROXIMATE WEIGHT WITH T-SLOT TRANSDUCER	RING NUMBER
	A	B	C	D	E	G	W.T. (LBS)	R
* 4"	18.75	9.38	10.00	8.12	7.21	8.34	265	R37
4"	29.00	14.5	10.00	6.25	8.53	8.34	265	R37
* 6"	24.00	12.00	12.50	9.16	8.06	9.40	425	R45
6"	29.50	14.75	12.50	7.31	9.28	9.40	355	R45
8"	31.50	15.75	15.00	8.31	10.00	10.40	455	R49
10"	34.00	17.00	17.50	9.38	10.75	11.47	655	R53
12"	35.44	17.72	20.50	10.38	11.44	12.47	875	R57
14"	36.00	18.00	23.00	11.00	11.88	13.09	1075	R61
16"	44.00	22.00	25.50	12.00	12.59	14.09	1495	R65
18"	45.31	22.66	28.00	13.00	13.31	15.09	1855	R69
20"	47.89	23.95	30.50	14.00	14.00	16.09	2335	R73
24"	55.36	27.68	36.00	16.00	15.44	18.09	3645	R77
30"	63.50	31.75	43.00	19.00	17.56	21.09	2965	R95
36"	69.75	34.88	50.00	22.00	19.69	24.09	4225	R98

TAG EQUIPMENT NUMBER	SIZE	BORE ("F")

EMERSON

MODEL: 3411/3412 SINGLE AND DUAL PATH 4"-36" JUNIORSONIC FLOWMETER W/PIPETS RF & RTJ FLG PRESSURE CLASS 300 F/J MOUNTS F/T21 AND T41 TRANSDUCERS

DRAWING NO: DMC006207

THIS DOCUMENT IS CONFIDENTIAL, CONTAINS PROPRIETARY INFORMATION, AND SHOULD NOT BE DISTRIBUTED, COPIED OR OTHERWISE REPRODUCED WITHOUT THE EXPRESS WRITTEN CONSENT OF MICRO MOTION, INC.

TEMPLATE BY: PH	MATERIALS (WHERE APPLICABLE): N/A
TEMPLATE APPROVED: KG	
TEMPLATE REV: BA	
DIMENSIONS ARE IN INCHES	
NOT TO SCALE	

BA	CA:1213843	02-16-23
B	ECO SP1568	03-13-12
A	RELEASED	06-23-11
REV	DESCRIPTION	DATE

CERTIFIED APPROVAL

CUSTOMER: _____

PROJECT: _____

PO NUMBER: _____

SO NUMBER: _____

CERTIFIED BY: _____

DATE: _____

CUSTOMER APPROVAL: _____

DATE: _____

DOCUMENT NUMBER: _____