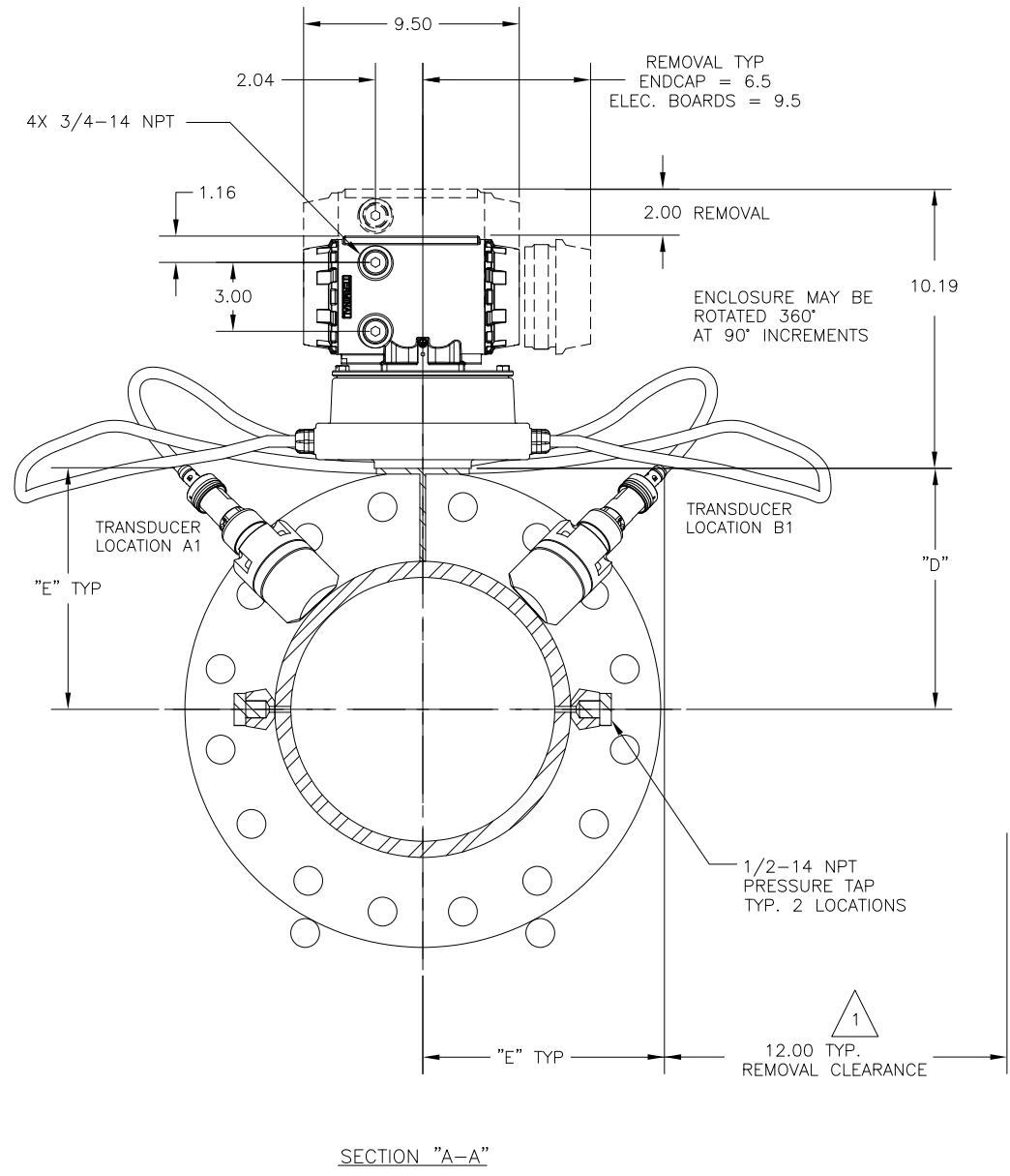
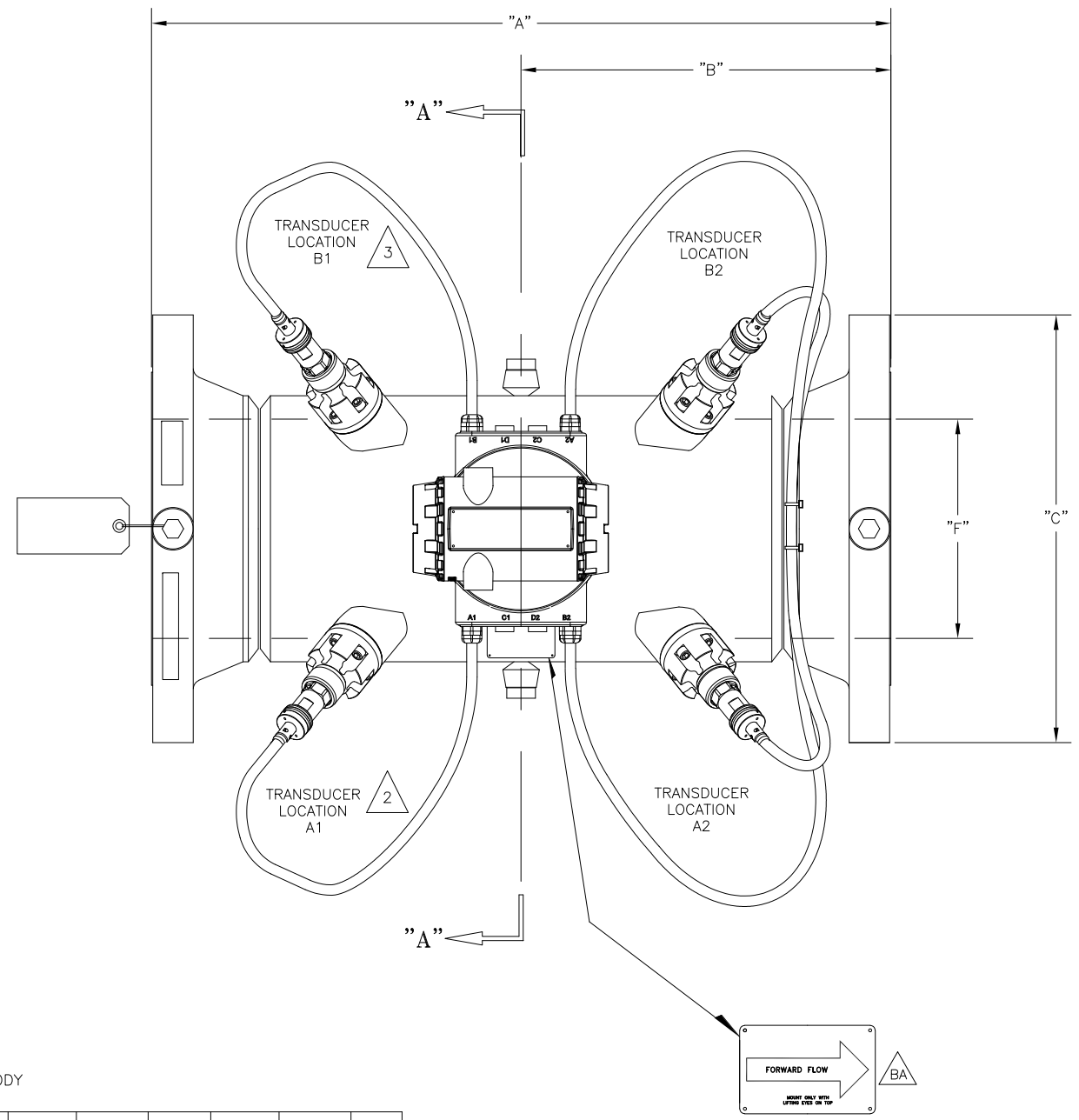


NOTES:

- 1. VERIFY TYPE OF TRANSDUCER CAPSULE INSTALLED IN THE METER PRIOR TO REMOVING IT. PLEASE CONSULT 3410 SERIES ULTRASONIC FLOW METER MAINTENANCE AND TROUBLESHOOTING MANUAL AVAILABLE AT WWW.EMERSON.COM FOR TRANSDUCER CAPSULE REMOVAL PROCEDURES. VENT ALL LINE PRESSURE FROM METER BEFORE REMOVING A T-21 OR T-41 TRANSDUCER CAPSULE.
- 2. SINGLE PATH METERS USE A1-A2 TRANSDUCER PATH ONLY.
- 3. DUAL PATH METERS USE A1-A2 & B1-B2 TRANSDUCER PATHS.



* CAST BODY

SIZE	OVERALL END TO END	CENTER TO END	DIAMETER OF FLANGE	CENTER OF HOUSING TO MOUNTING BOSS	CENTER OF HOUSING TO TRANSDUCER CONNECTOR	APPROXIMATE WEIGHT WITH T-SLOT TRANSDUCER	RING NUMBER
	A	B	C	D	E	W.T. (LBS)	R
* 4"	20.00	10.00	12.25	8.12	7.27	335	R39
4"	31.00	15.50	12.25	6.25	8.53	335	R39
* 6"	28.00	14.00	15.50	9.16	8.12	585	R46
6"	37.00	18.50	15.50	7.31	9.28	635	R46
8"	41.00	20.50	19.00	8.31	10.00	885	R50
10"	40.00	20.00	23.00	9.38	10.75	1375	R54
12"	47.00	23.50	26.50	10.38	11.44	2055	R58
14"	48.00	24.00	29.50	11.00	11.88	2615	R61
16"	64.00	32.00	32.50	12.00	12.59	3635	R67
18"	56.00	28.00	36.00	13.00	13.31	4435	R71

TAG EQUIPMENT NUMBER	SIZE	BORE ("F")

EMERSON

MODEL: 3411/3412 SINGLE AND DUAL PATH 4"-24" JUNIORSONIC FLOWMETER RF & RTJ FLG PRESSURE CLASS 1500 F/K MOUNTS F/T21 AND T41 TRANSDUCERS

DRAWING NO.: DMC006206

THIS DOCUMENT IS CONFIDENTIAL, CONTAINS PROPRIETARY INFORMATION, AND SHOULD NOT BE DISTRIBUTED, COPIED OR OTHERWISE REPRODUCED WITHOUT THE EXPRESS WRITTEN CONSENT OF MICRO MOTION, INC.

TEMPLATE BY: PH	MATERIALS (WHERE APPLICABLE): N/A
TEMPLATE APPROVED: KG	
TEMPLATE REV: BA	
DIMENSIONS ARE IN INCHES	
NOT TO SCALE	

BA	CA:1213843	02-16-23
B	ECO SP1568	03-13-12
A	RELEASED	06-27-11
REV	DESCRIPTION	DATE

CERTIFIED APPROVAL

CUSTOMER: _____

PROJECT: _____

PO NUMBER: _____

SO NUMBER: _____

CERTIFIED BY: _____

DATE: _____

CUSTOMER APPROVAL: _____

DATE: _____

DOCUMENT NUMBER: _____

BA