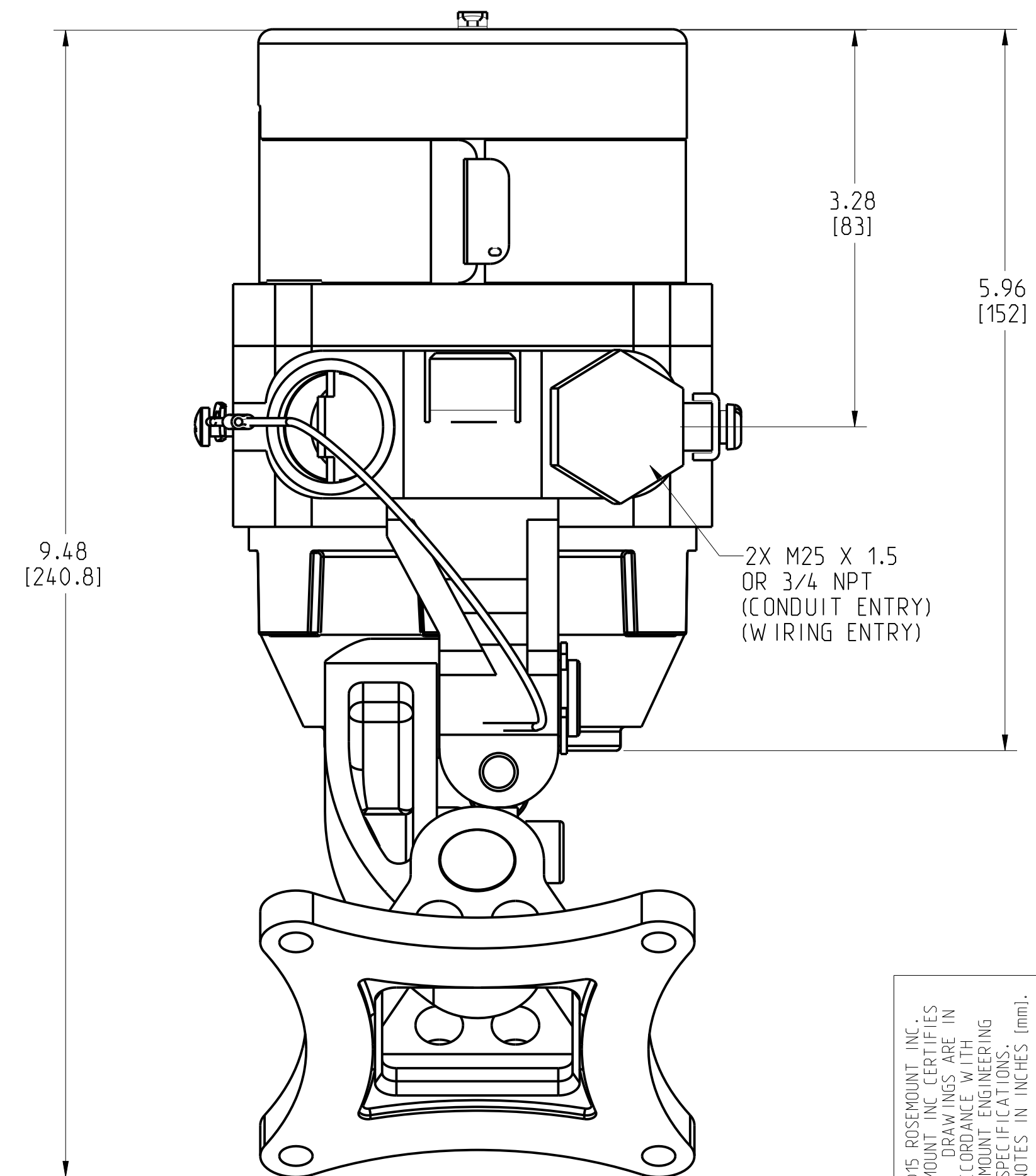
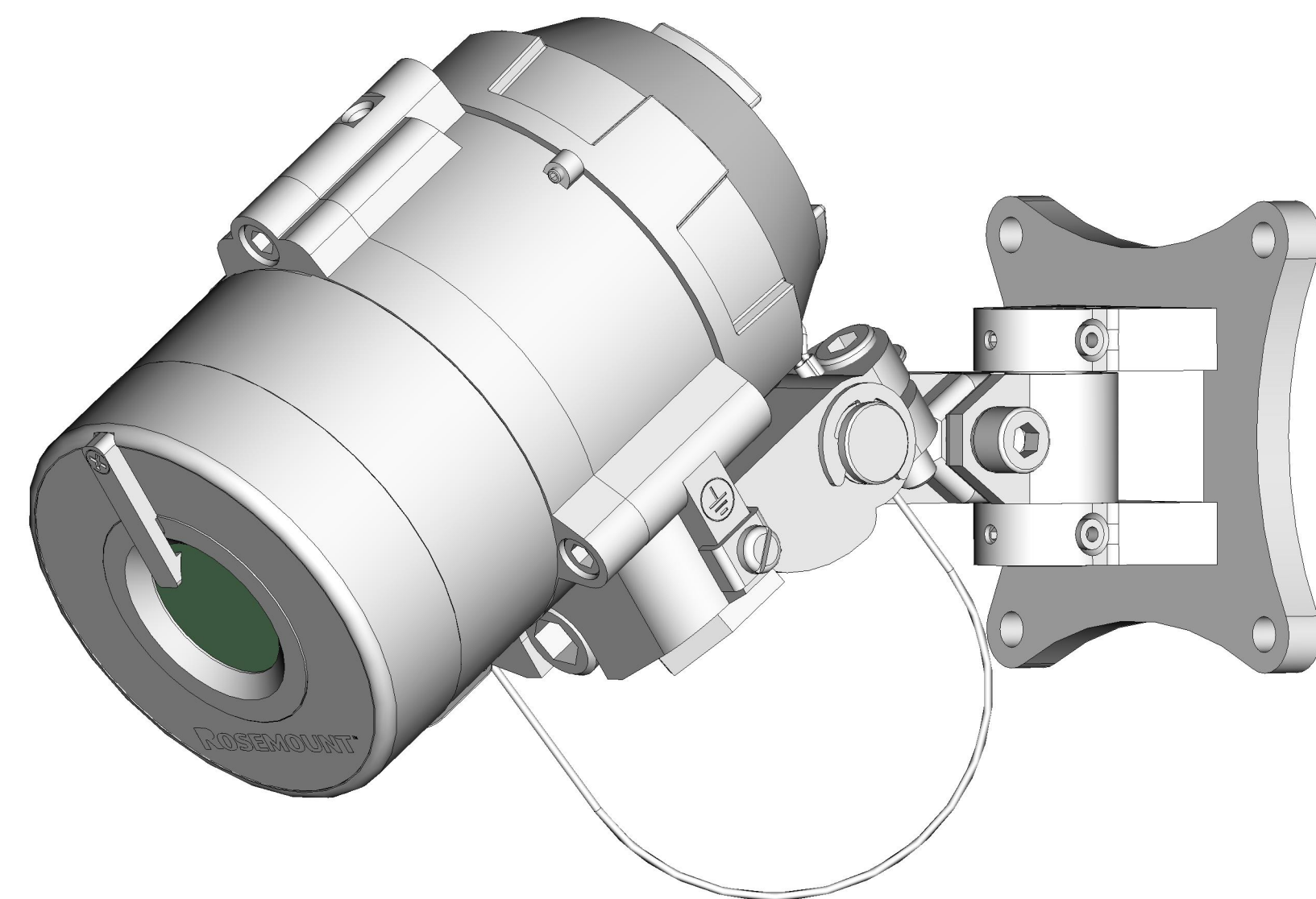
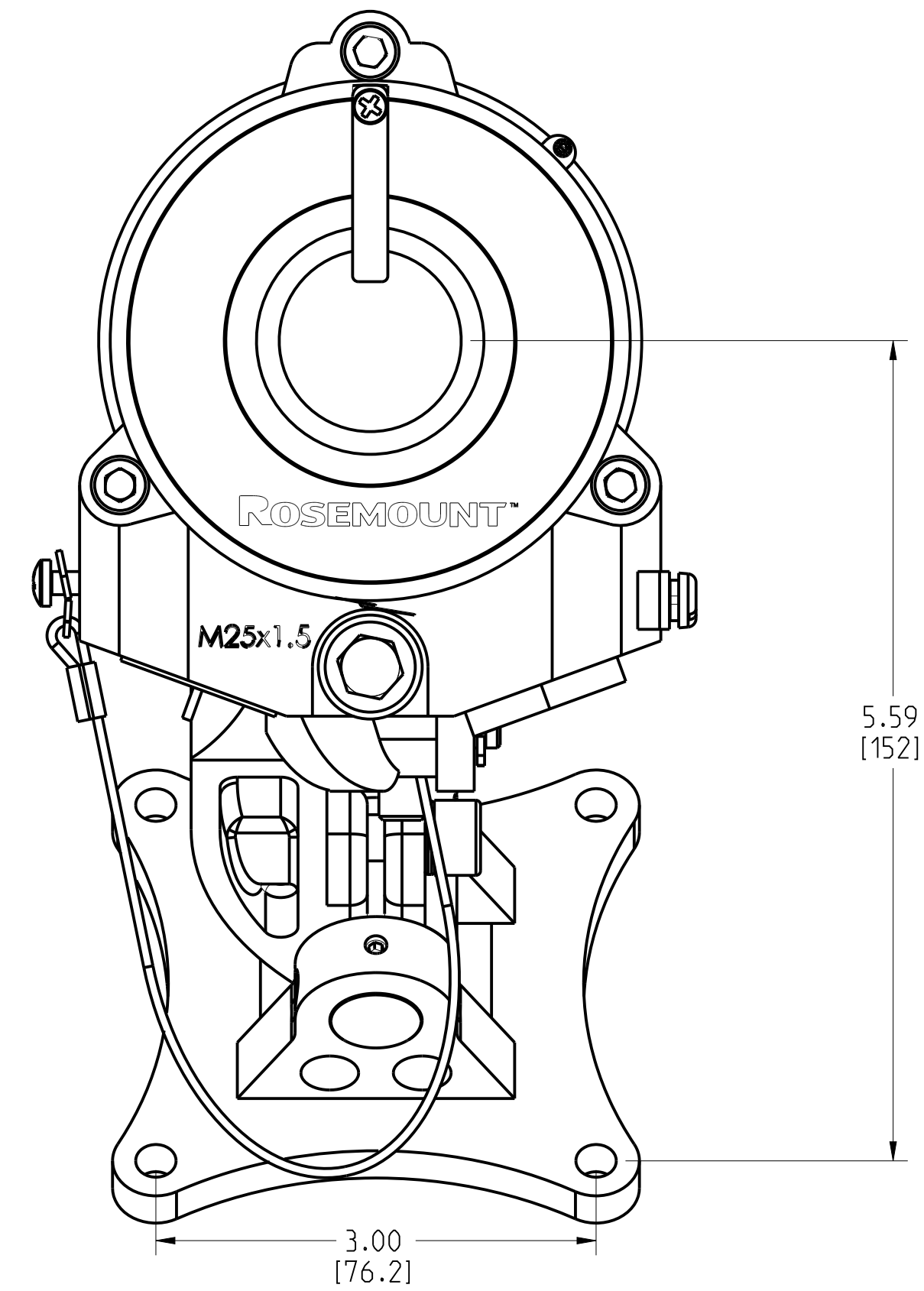
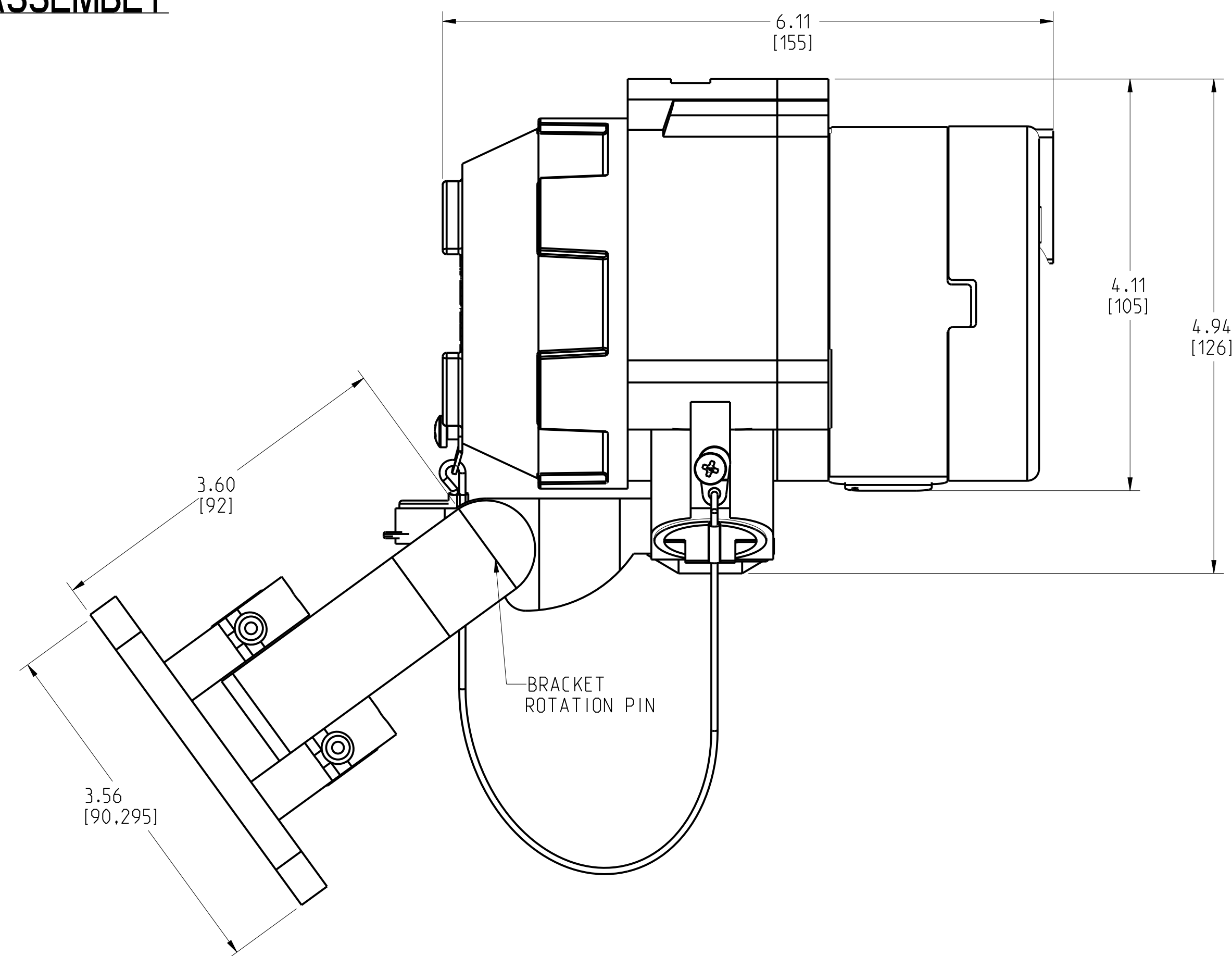


**MODEL 975 FLAME DETECTOR AND  
TILT MOUNT BRACKET ASSEMBLY**

REVISION TABLE			
REVISION	ECO NO.	APP'D	DATE
AB	RTC1078355	J. SUMSTAD	12/2/21
DESCRIPTION			
UPDATE THE HOUSING AND CONERT TO PRO-E			



©2015 ROSEMOUNT, INC.  
ROSEMOUNT AND CLEARVIEW  
ARE TRADEMARKS OF ROSEMOUNT  
ENGINEERING IN ACCORDANCE WITH  
ROSEMOUNT ENGINEERING  
SPECIFICATIONS.  
UNIT NOTES IN INCHES (mm).

REFERENCE ROSEMOUNT  
PRODUCT SPECIFICATIONS.  
CLICK HERE

		3RD ANGLE		SIZE D	SCALE NTS
<b>ROSEMOUNT975 AND TILT MOUNT TYPE I DRAWING</b>					
DR. J. ARMSTRONG	12/2/21	DRAWING NO.		00975-7102	
APP'D J. SUMSTAD	12/2/21				
CAD MAINTAINED: (PRO/E)				SHEET 1 OF 1	