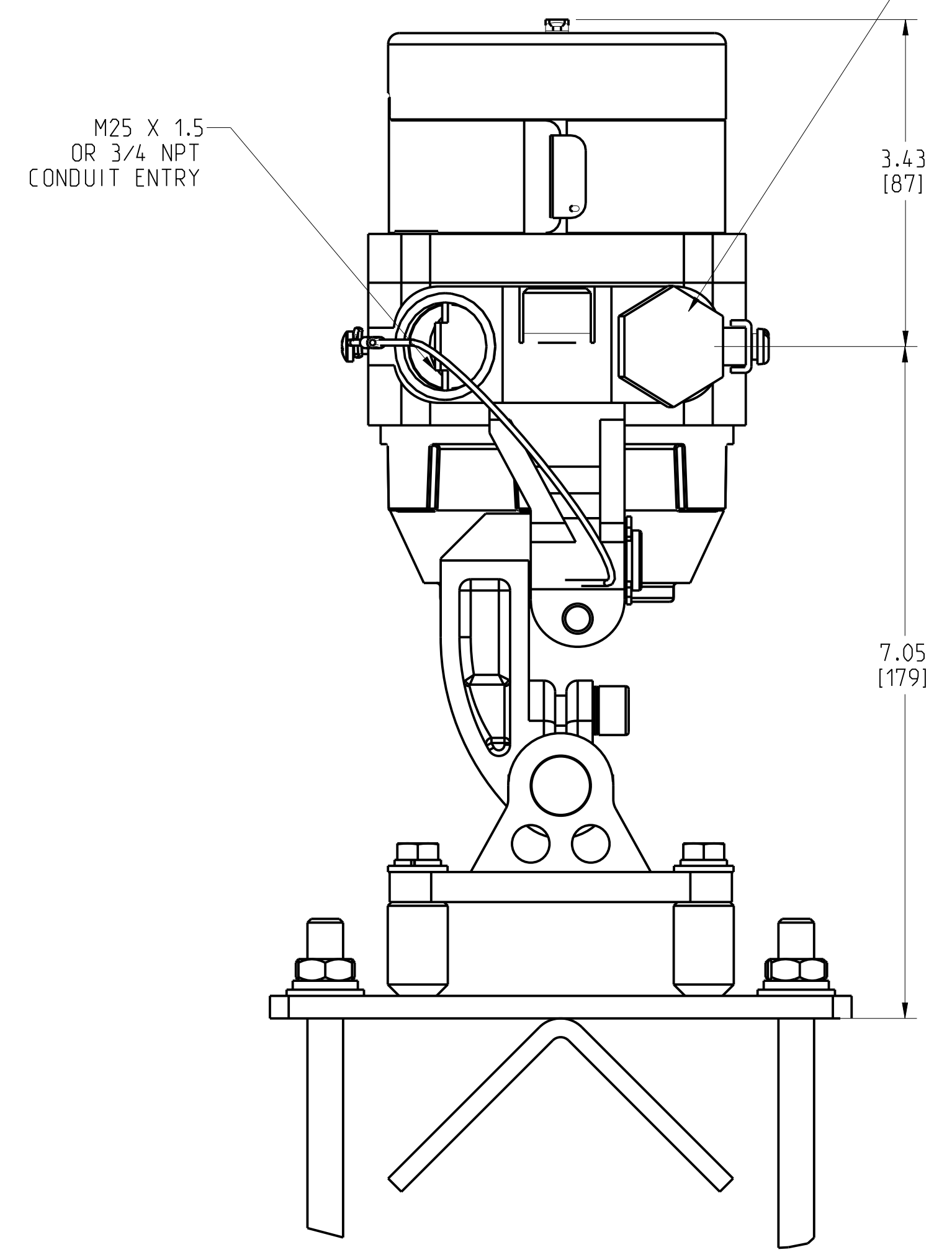
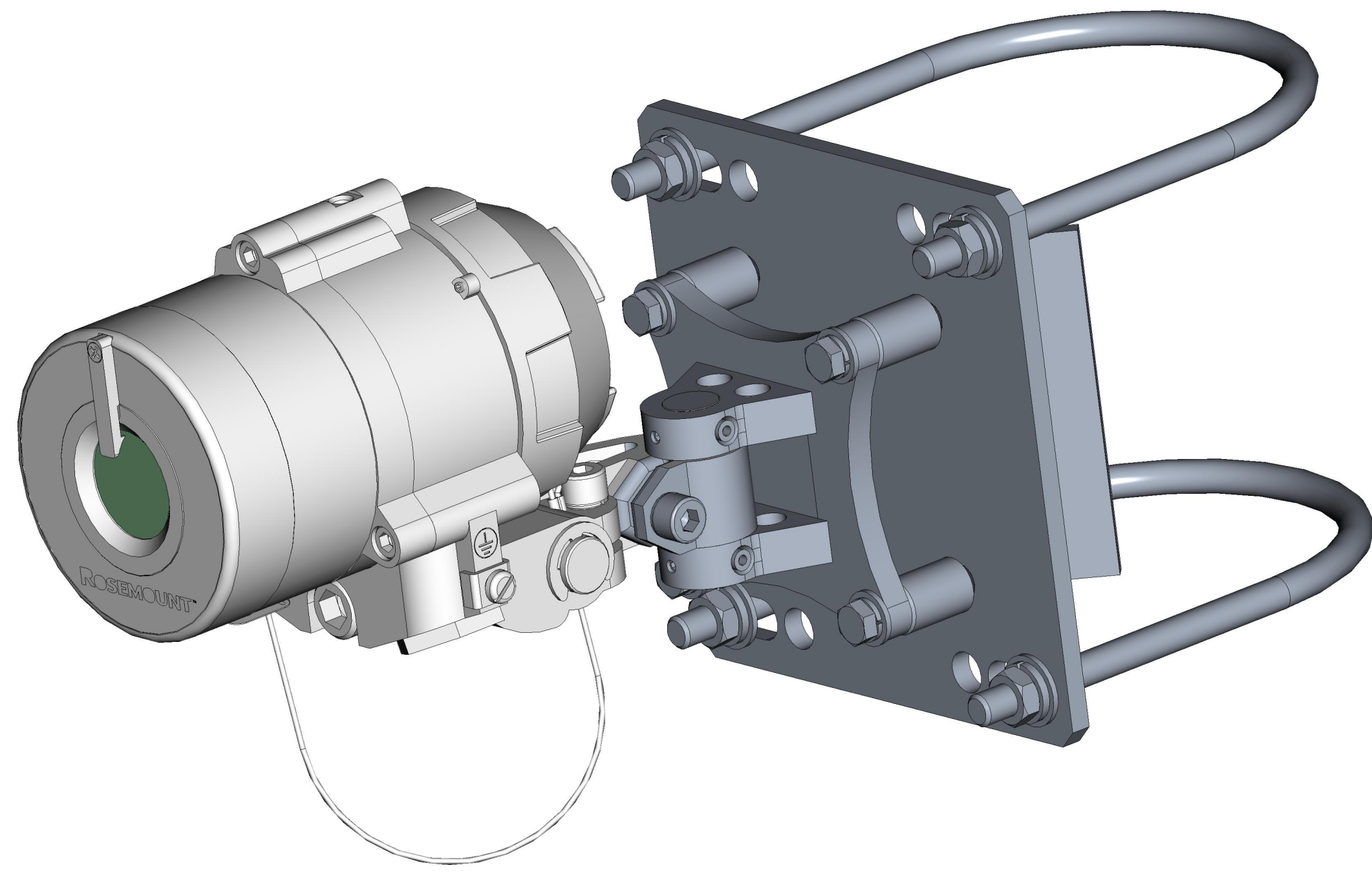
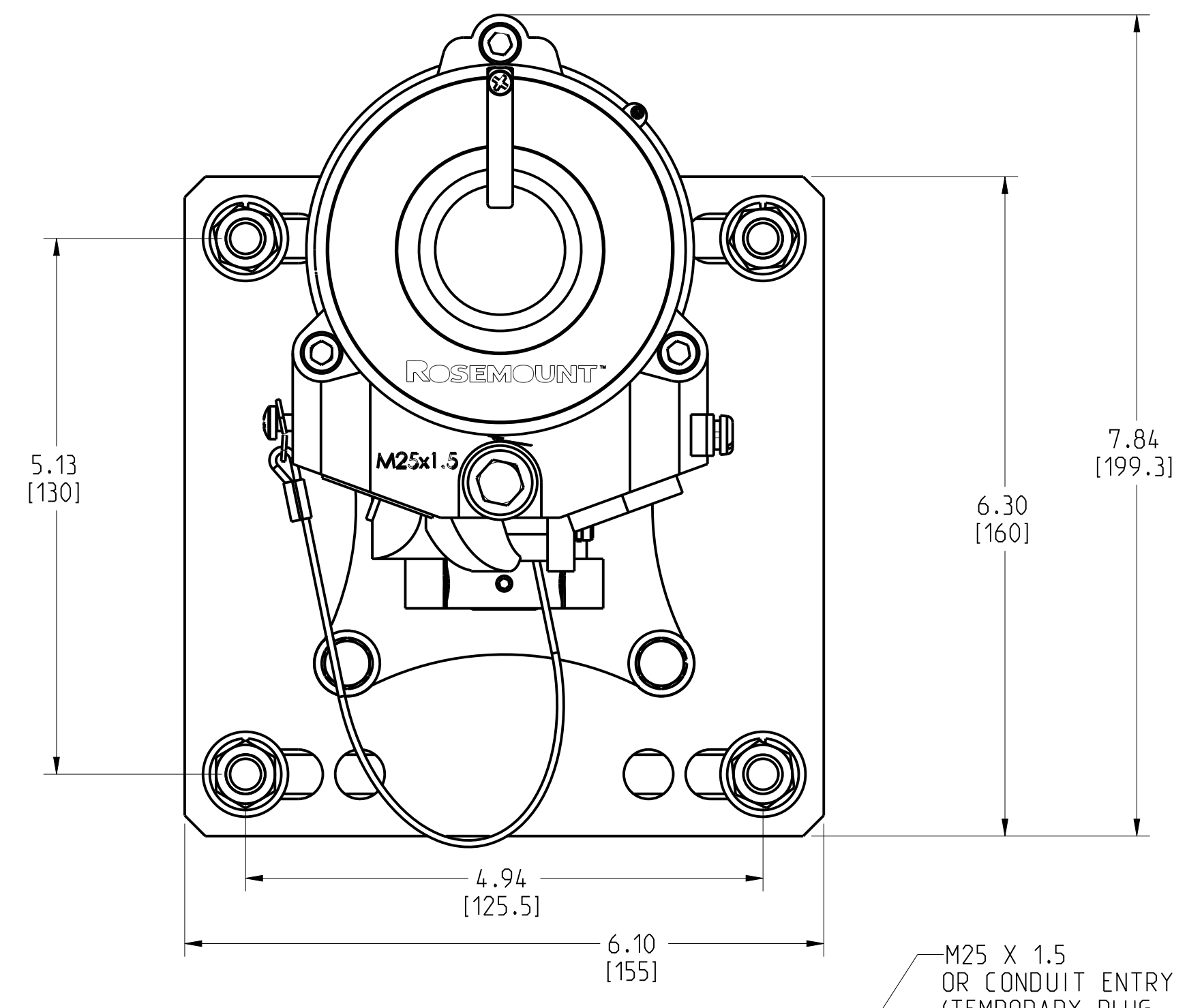
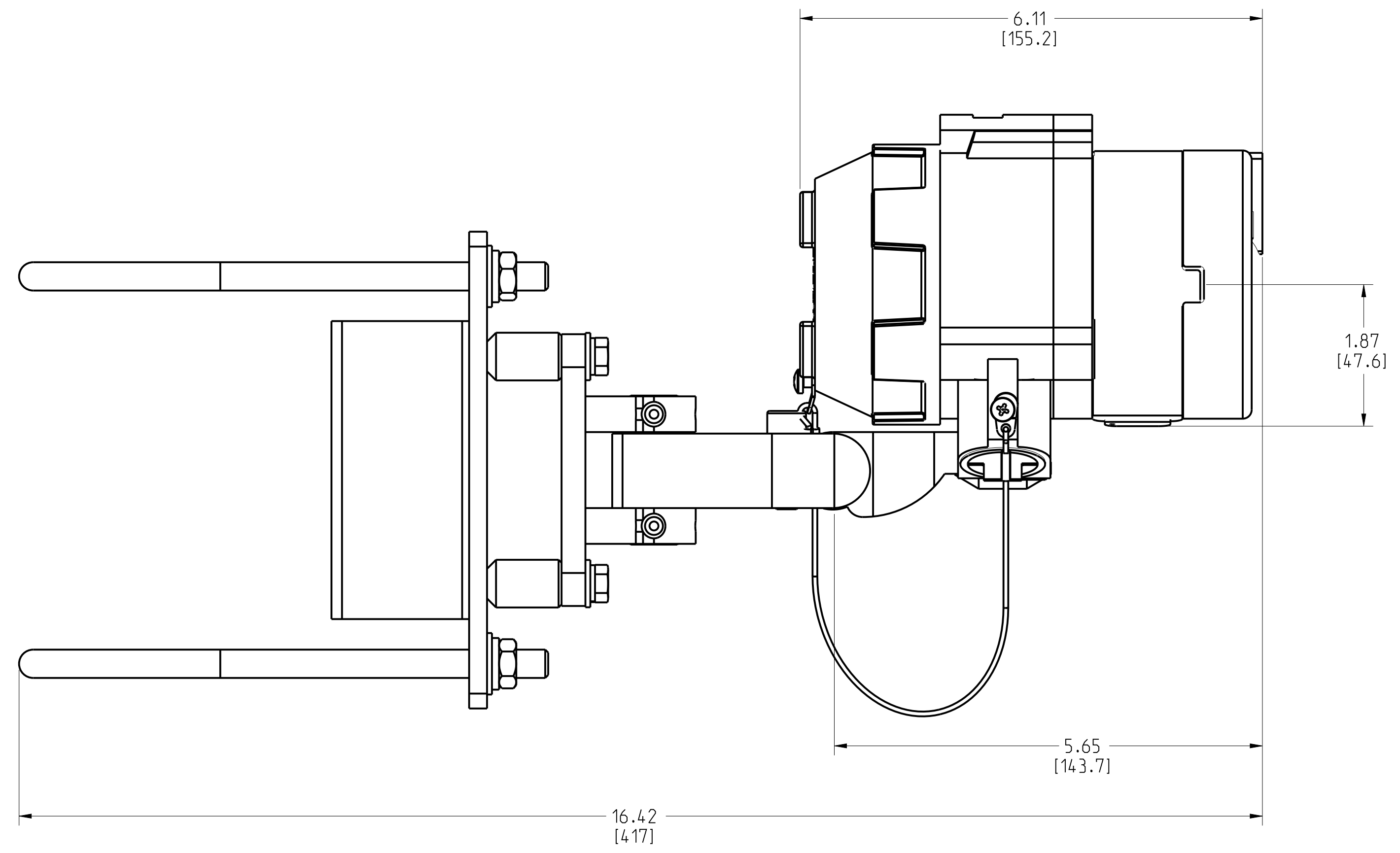


MODEL 975 FLAME DETECTOR AND POLE & TILT MOUNT BRACKET ASSEMBLY

REVISION TABLE			
REVISION	ECO NO.	APP'D	DATE
AB	RTC1078355	J. SUMSTAD	12/2/21
DESCRIPTION			
UPDATE THE HOUSING AND COVERT TO PRO-E			



©2015 ROSEMOUNT, INC.
ROSEMOUNT AND CLEARVIEW
ARE TRADEMARKS OF
ROSEMOUNT ENGINEERING
SPECIFICATIONS.
UNIT NOTES IN INCHES (mm).
REFERENCE ROSEMOUNT
PRODUCT SPECIFICATIONS.
CLICK HERE

		3RD ANGLE		SIZE D	SCALE NTS
ROSEMOUNT 975 TILT-POLE MOUNT TYPE I DRAWING					
DR. J. ARMSTRONG	10/26/21	DRAWING NO.		00975-7107	
APP'D J. SUMSTAD	10/26/21				
CAD MAINTAINED: (PRO/E)				SHEET 1 OF 1	