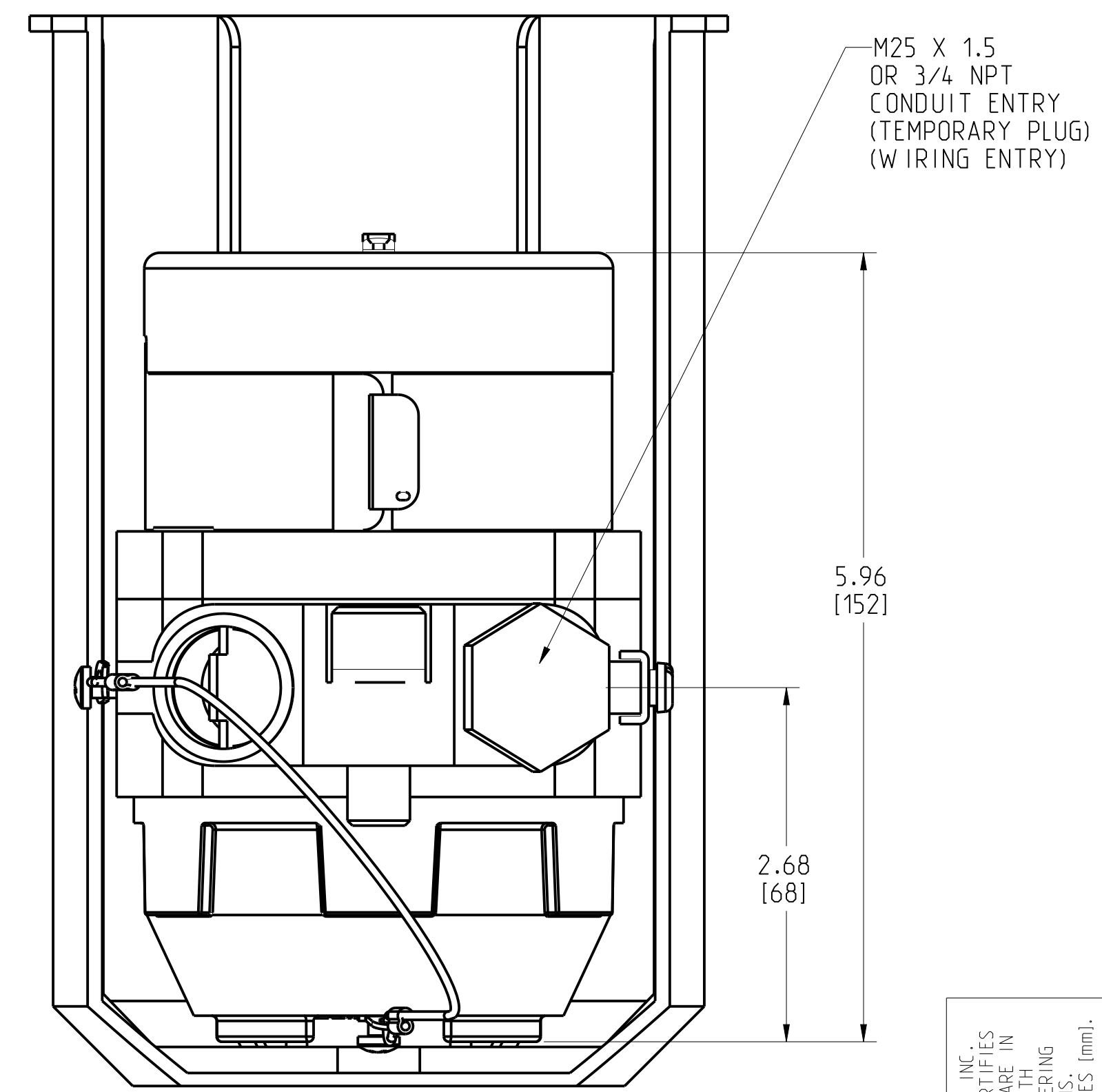
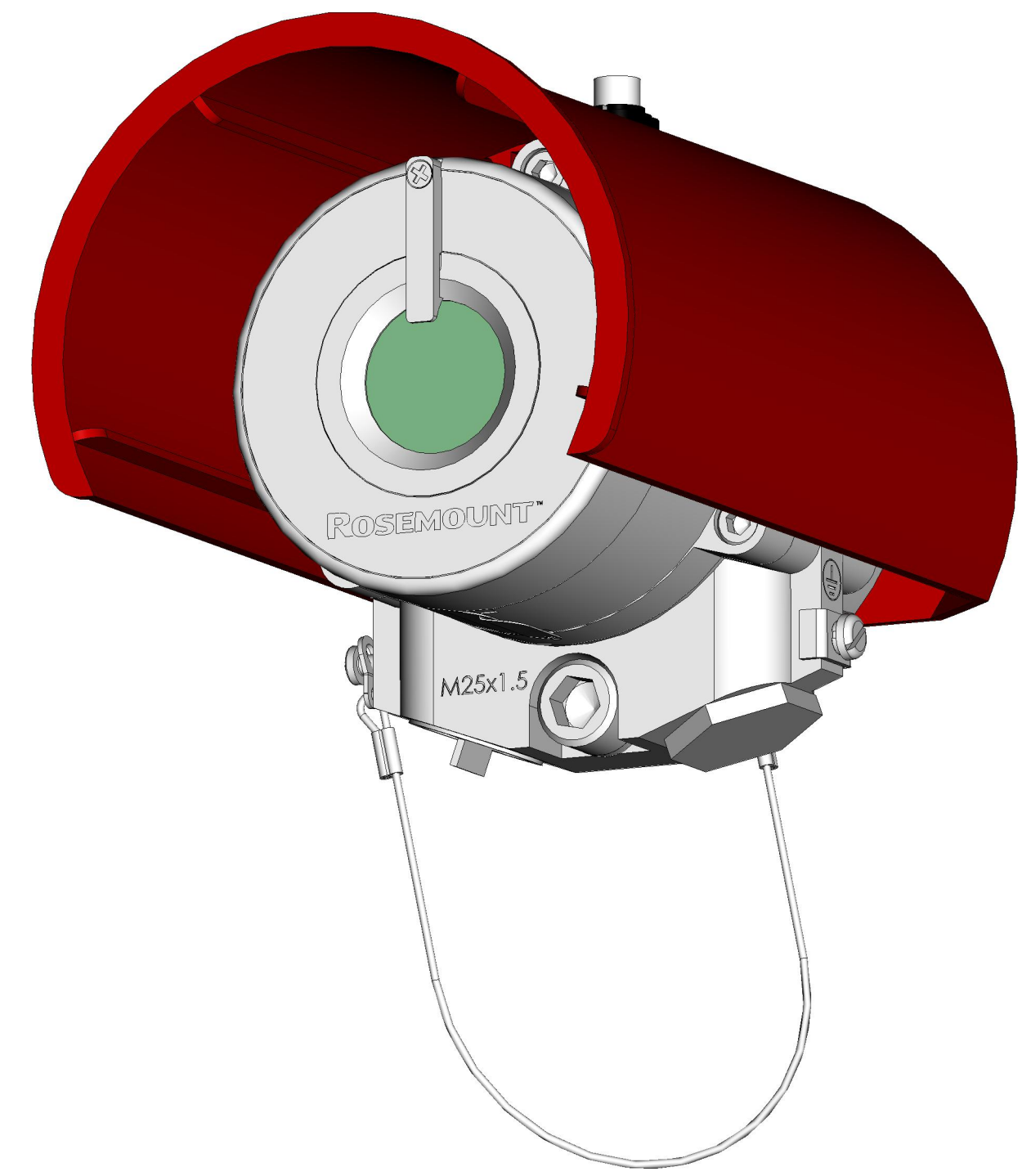
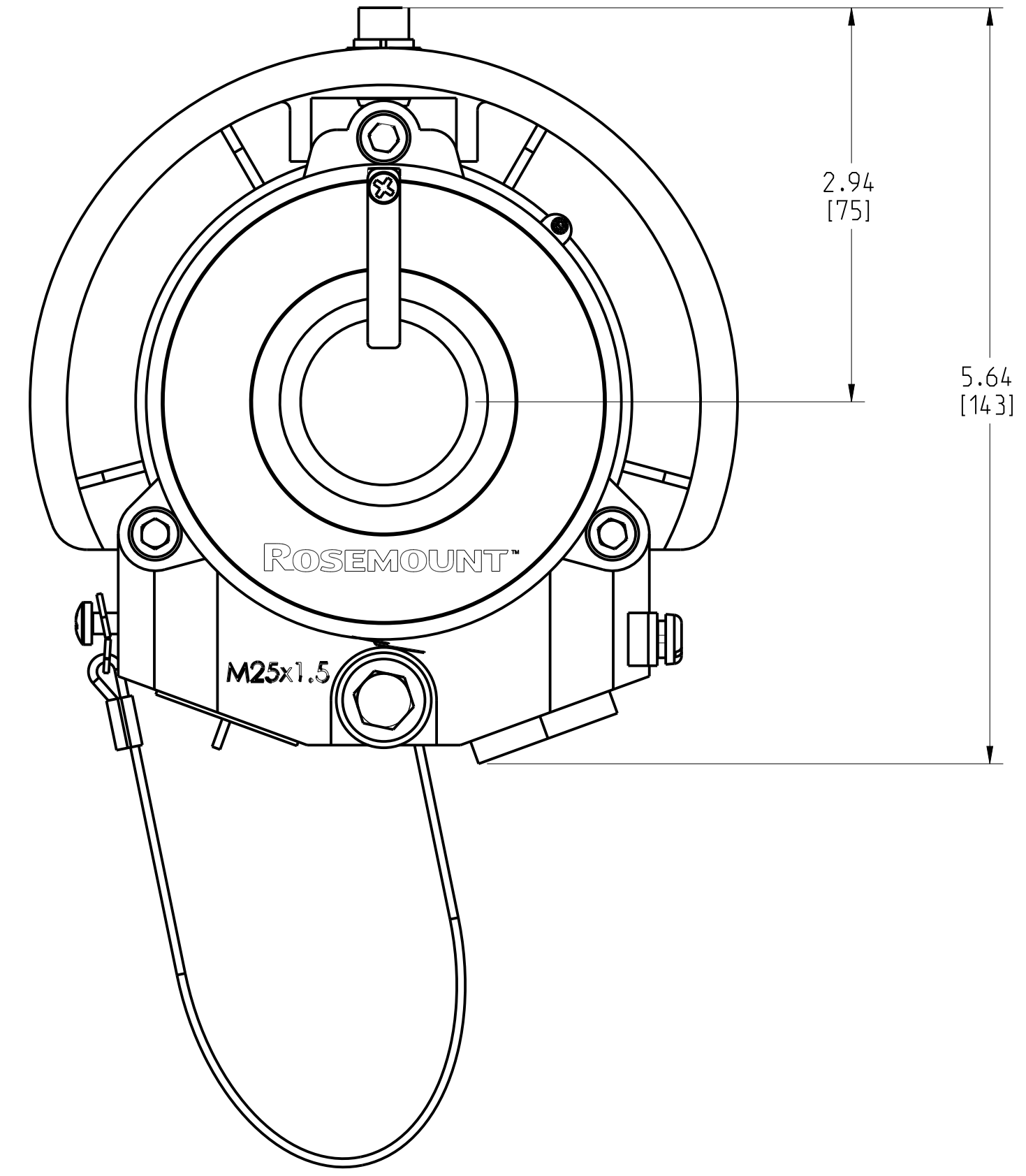
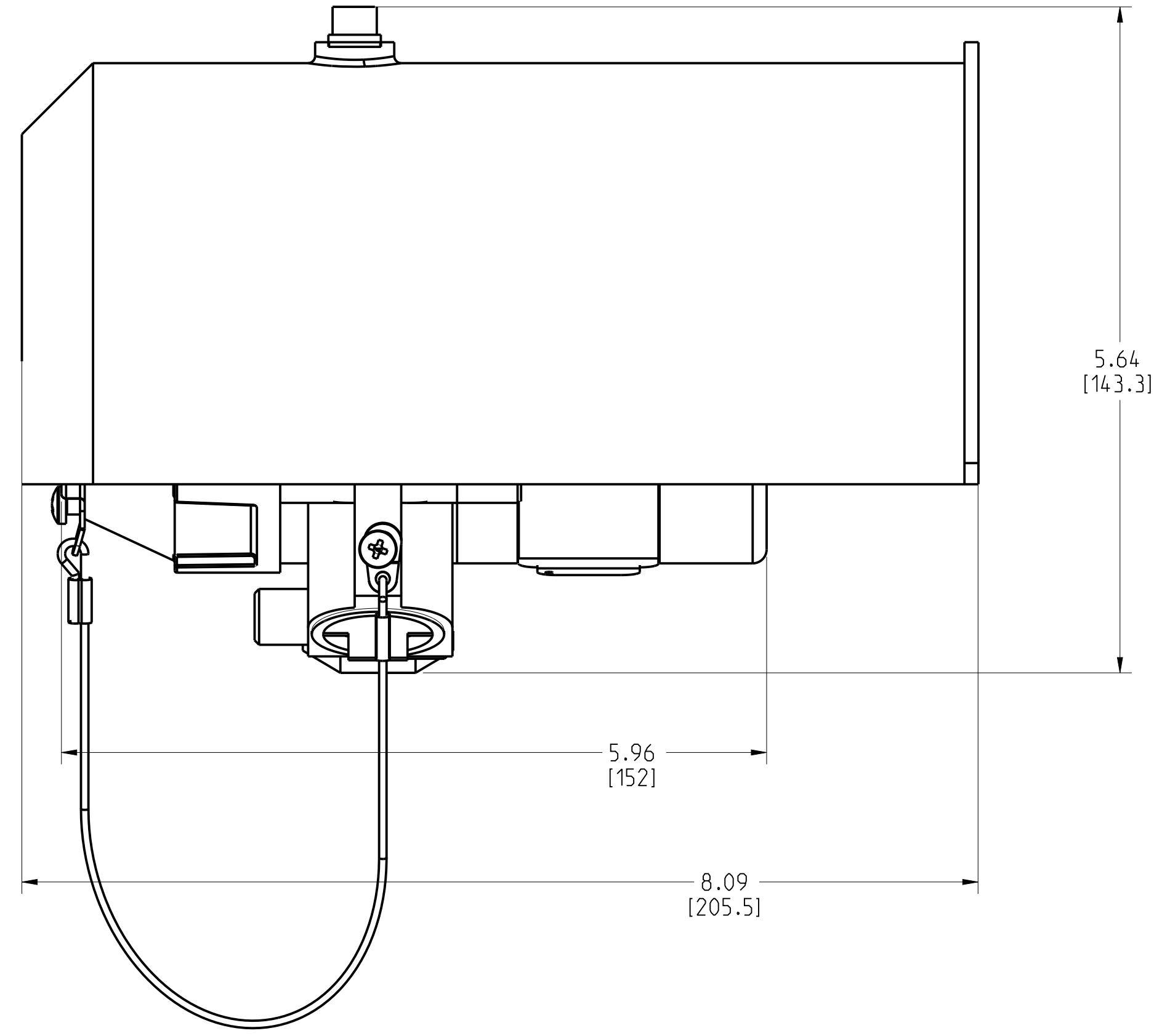


MODEL 975 FLAME DETECTOR WITH PLASTIC WEATHER COVER

REVISION TABLE			
REVISION	ECO NO.	APP'D	DATE
AB	RTC1078355	J. SUMSTAD	12/2/21
DESCRIPTION			
UPDATE TO NEW HOUSING AND COVERT TO PRO-E			



©2015 ROSEMOUNT, INC.
 ROSEMOUNT, INC. ACCEPTS
 LIABILITY FOR THE INFORMATION
 CONTAINED IN THIS DRAWING IN
 ACCORDANCE WITH
 ROSEMOUNT ENGINEERING
 SPECIFICATIONS.
 UNIT NOTES IN INCHES (mm).
 REFERENCE ROSEMOUNT
 PRODUCT SPECIFICATIONS.
 CLICK HERE

		3RD ANGLE		SIZE D	SCALE NTS
ROSEMOUNT 975 AND PLAS. COVER TYPE I DRAWING					
DR. J. ARMSTRONG	10/26/21	DRAWING NO.		00975-7106	
APP'D J. SUMSTAD	10/26/21				
CAD MAINTAINED: (PRO/E)				SHEET 1 OF 1	