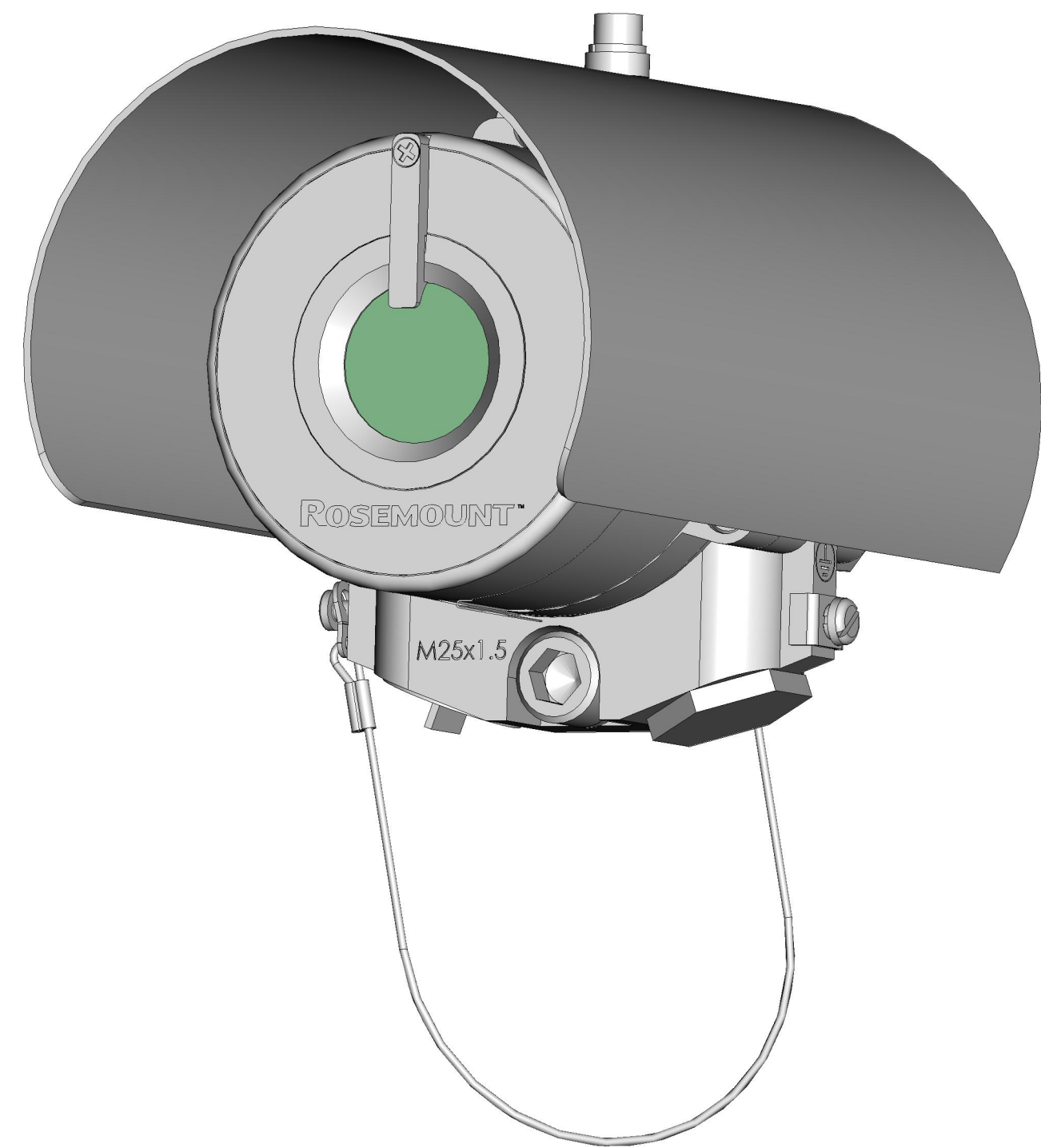
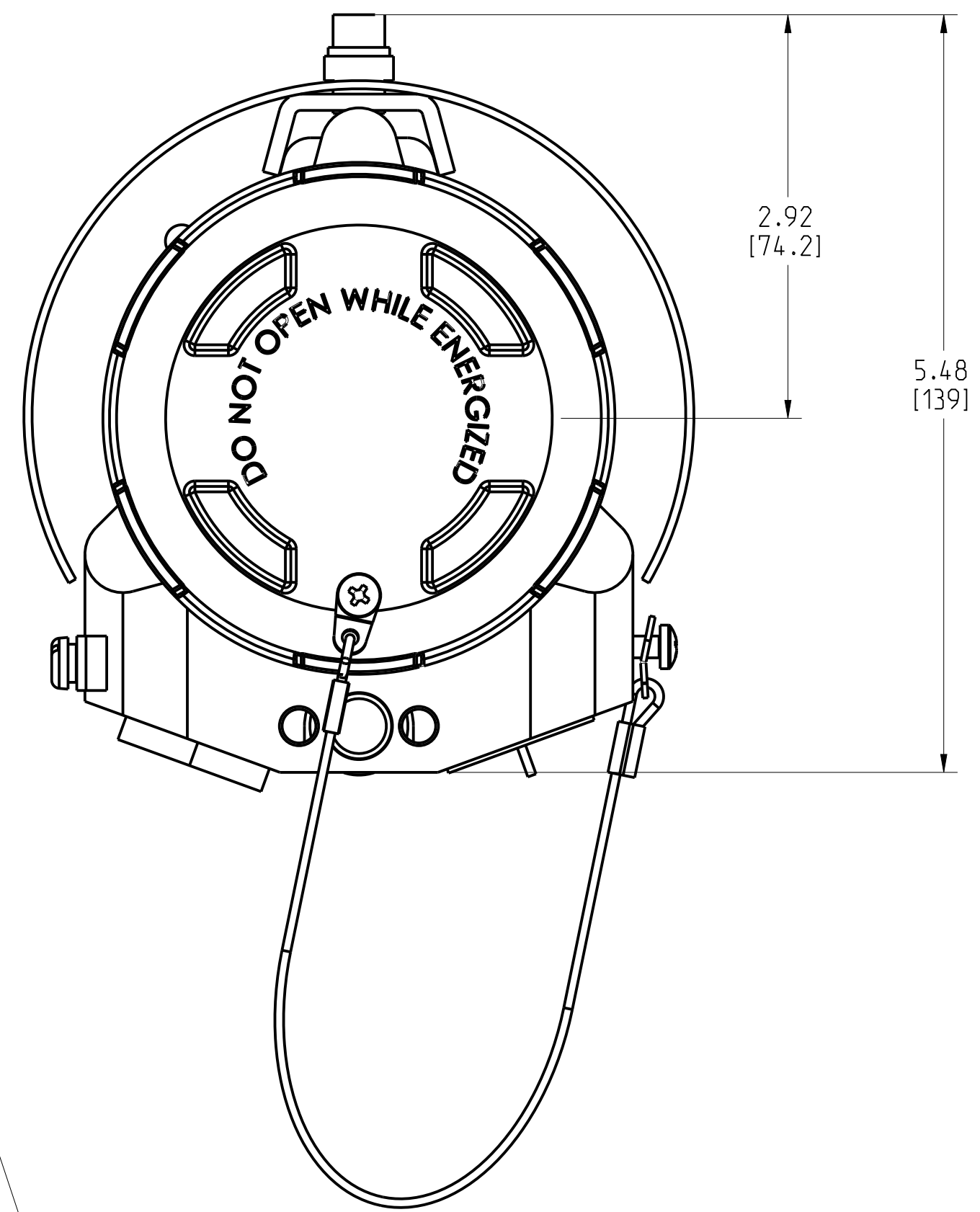
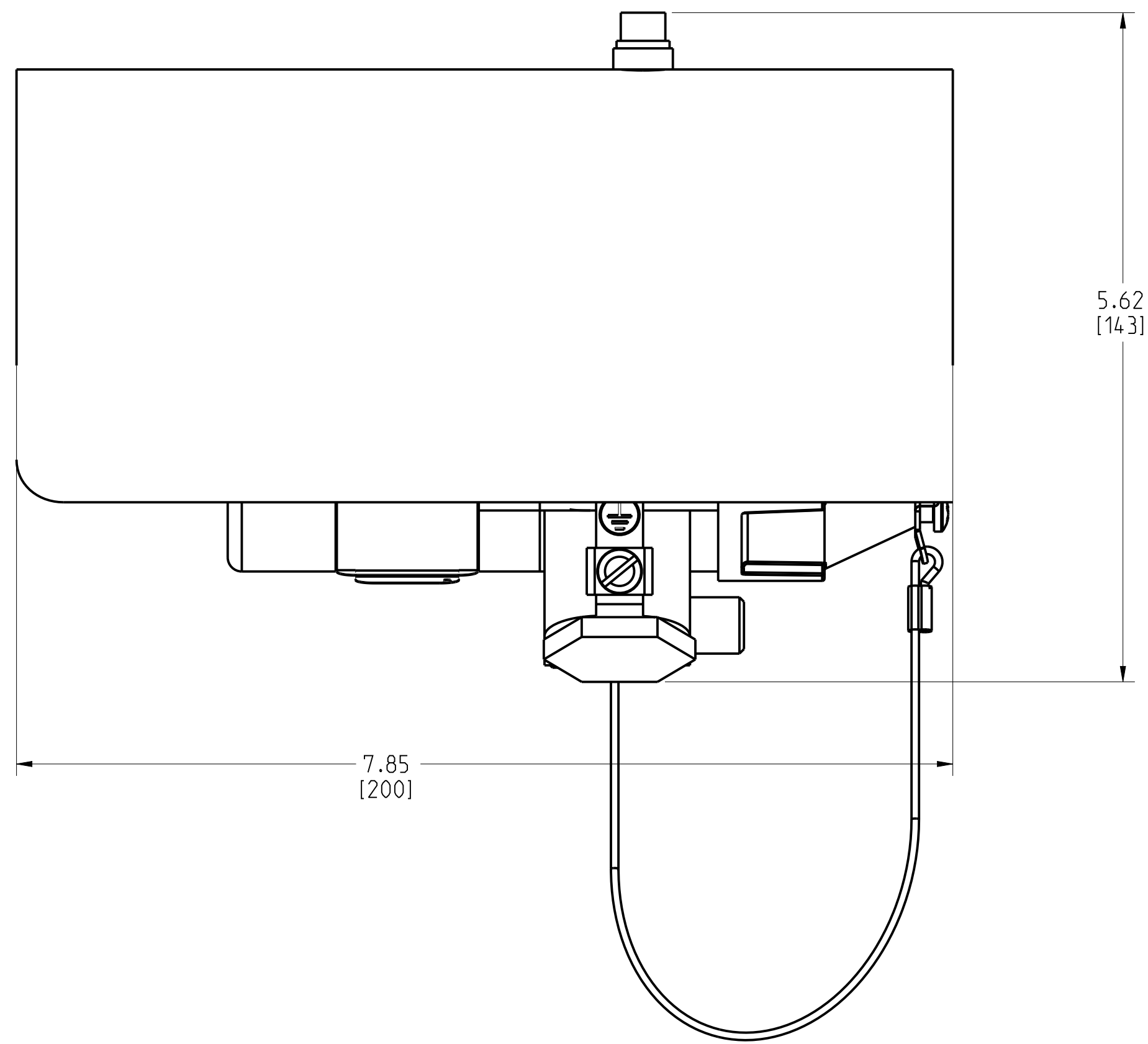
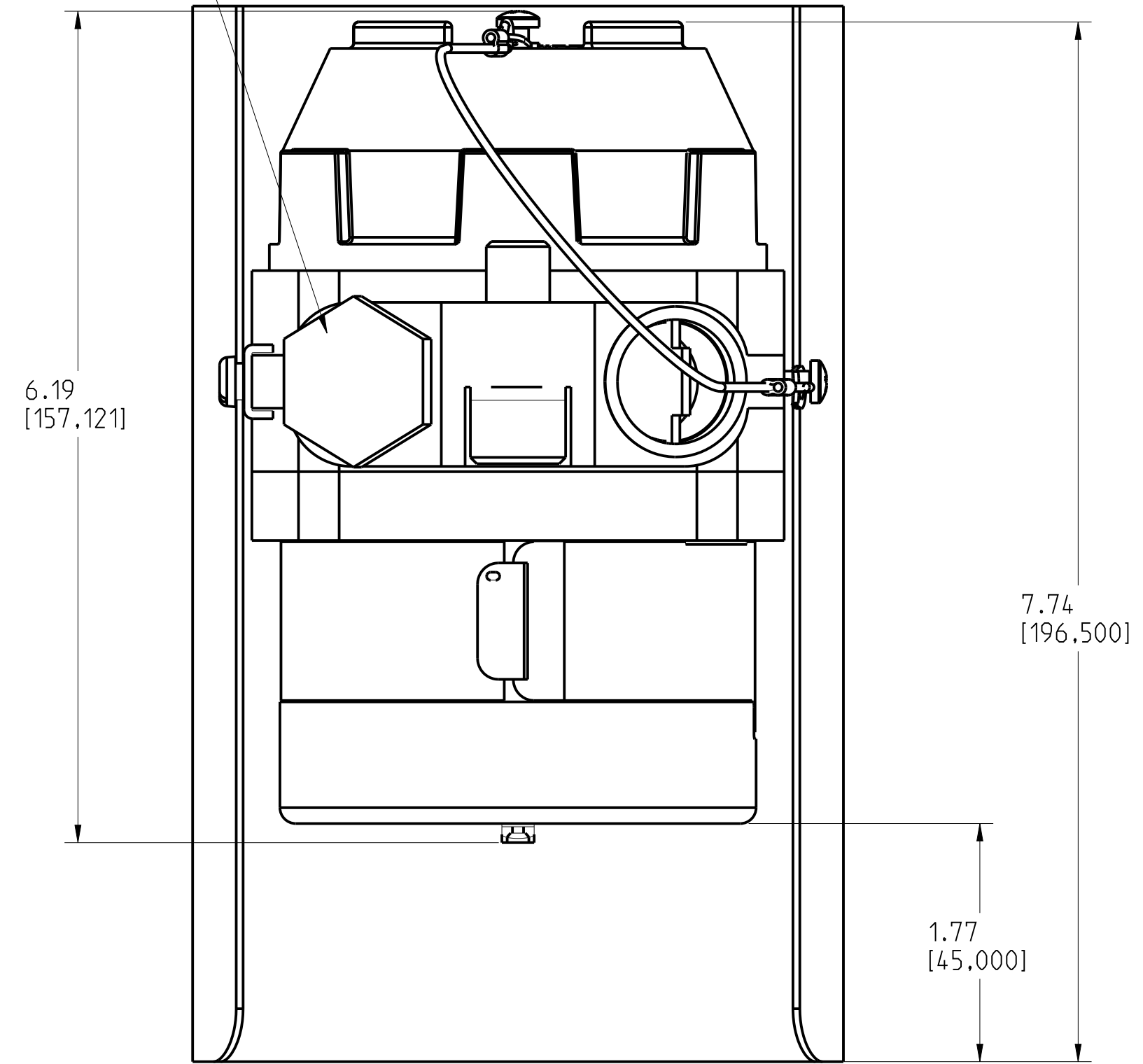


**MODEL 975 FLAME DETECTOR WITH METAL WEATHER SHIELD**

REVISION TABLE			
REVISION	ECO NO.	APP'D	DATE
AB	RTC1078355	J. SUMSTAD	12/2/21
DESCRIPTION			
UPDATE HOUSING AND CONVERT TO PRO-E.			



M25 X 1.5  
OR 3/4 NPT  
CONDUIT ENTRY  
(TEMPORARY PLUG)



©2015 ROSEMOUNT, INC.  
ROSEMOUNT AND CLEARVIEW  
ARE TRADEMARKS OF ROSEMOUNT  
IN ACCORDANCE WITH  
ROSEMOUNT ENGINEERING  
SPECIFICATIONS.  
UNIT NOTES IN INCHES (mm).  
REFERENCE ROSEMOUNT  
PRODUCT SPECIFICATIONS.  
CLICK HERE

		3RD ANGLE		SIZE D	SCALE NTS
<b>ROSEMOUNT 975 &amp; WEATHERSHIELD TYPE I DRAWING</b>					
DR. J. ARMSTRONG	10/21/21	DRAWING NO.		00975-7101	
APP'D J. SUMSTAD	10/21/21				
CAD MAINTAINED: (PRO/E)				SHEET 1 OF 1	