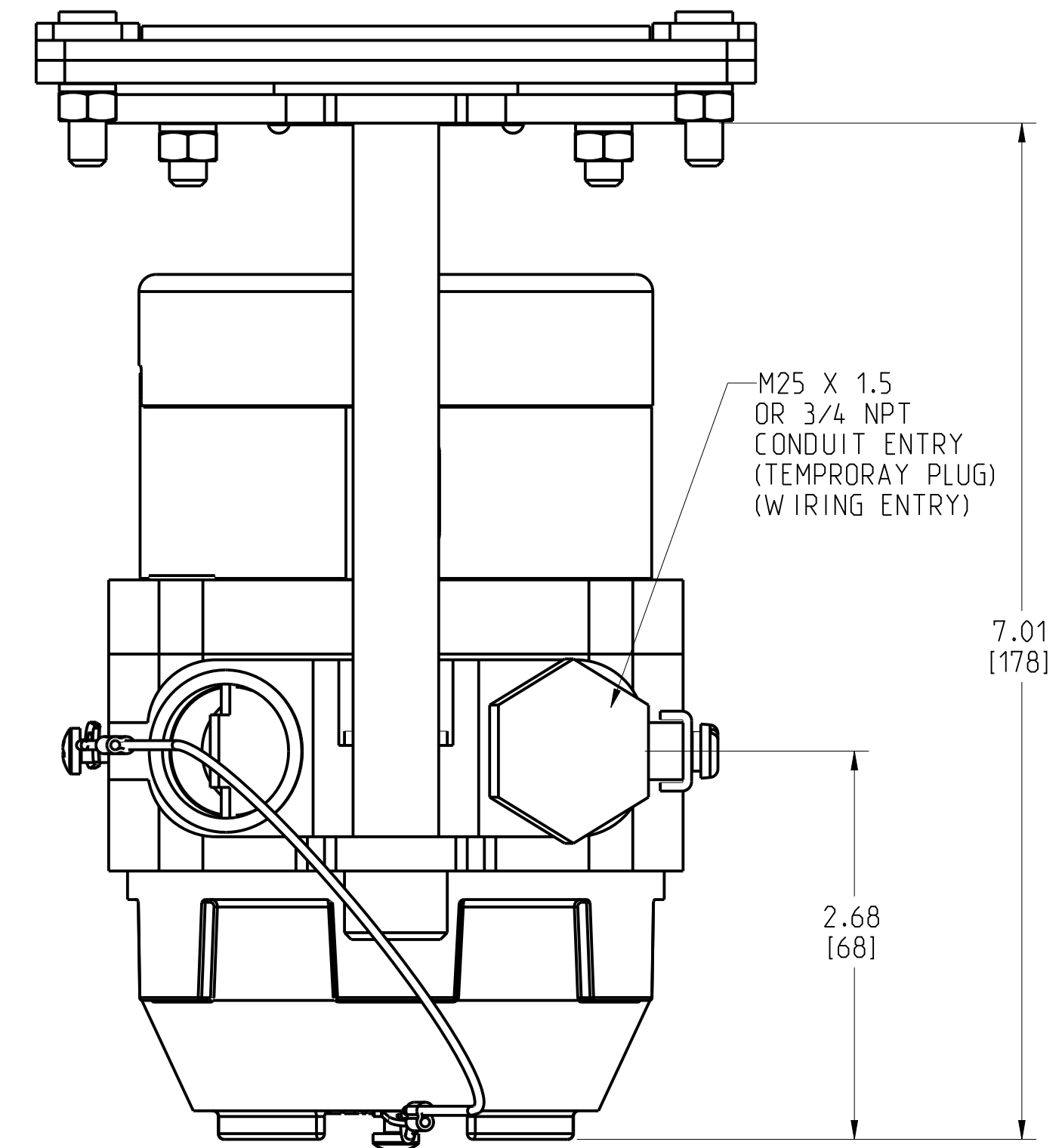
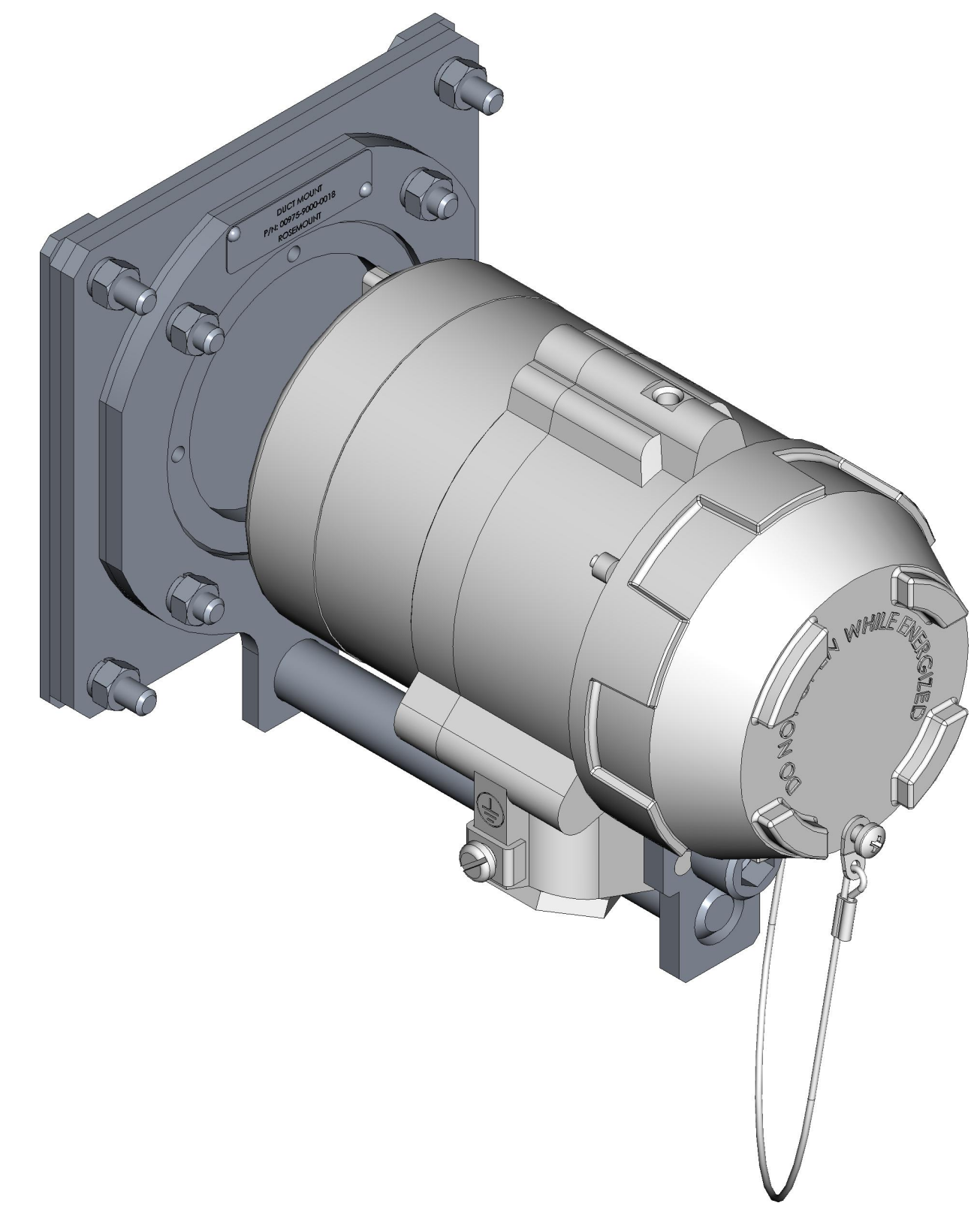
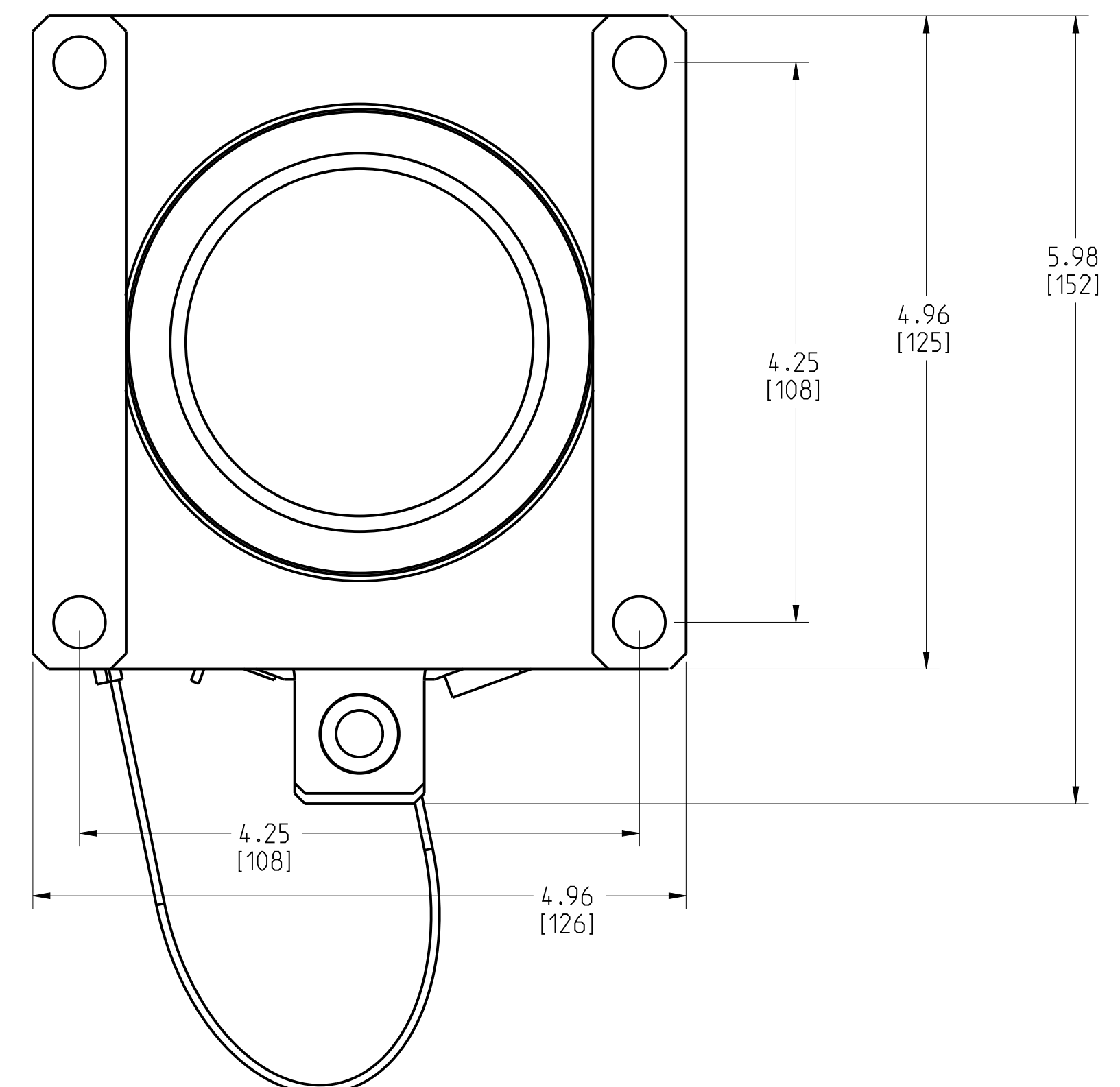
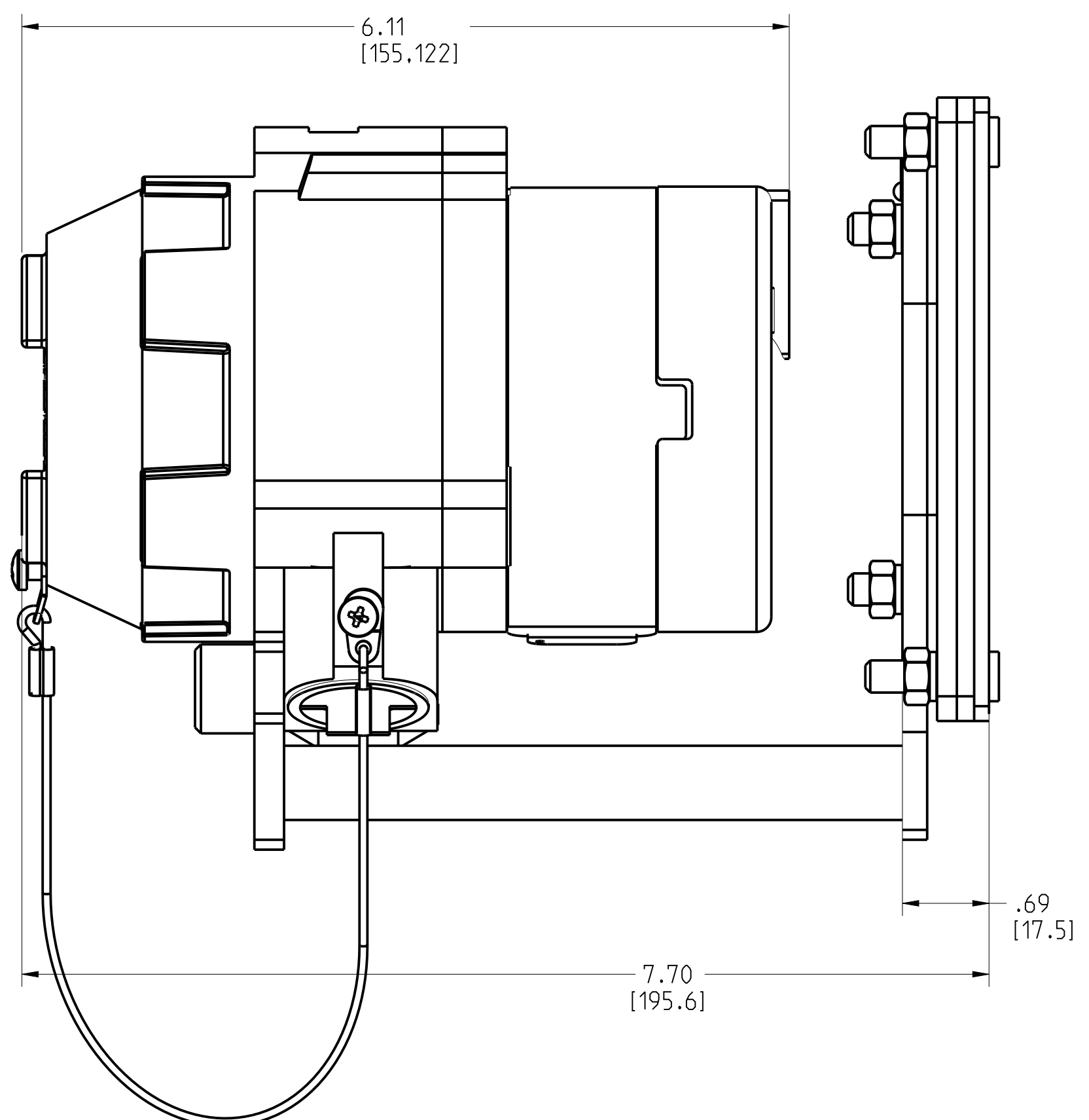


**MODEL 975 FLAME DETECTOR AND  
DUCT MOUNT BRACKET ASSEMBLY**

| REVISION TABLE       |         |           |          |
|----------------------|---------|-----------|----------|
| REVISION             | ECO NO. | APP'D     | DATE     |
| AB                   | RTC     | J SUMSTAD | 10/26/21 |
| DESCRIPTION          |         |           |          |
| RELEASE OF NEXT GEN. |         |           |          |



©2015 ROSEMOUNT, INC. ALL RIGHTS RESERVED.  
ROSEMOUNT, INC. IS A DIVISION OF  
EMERSON ELECTRIC CO. ALL RIGHTS RESERVED.  
THIS DRAWING IS THE PROPERTY OF  
ROSEMOUNT ENGINEERING.  
SPECIFICATIONS.  
UNIT NOTES IN INCHES (mm).  
REFERENCE ROSEMOUNT PRODUCT SPECIFICATIONS.  
CLICK HERE

|  |          |             |  |              |              |
|--|----------|-------------|--|--------------|--------------|
|  |          | 3RD ANGLE   |  | SIZE<br>D    | SCALE<br>NTS |
| <b>TITLE ROSEMOUNT 975 DUCT MOUNT<br/>TYPE I DRAWING</b> |          |             |  |              |              |
| DR. J. ARMSTRONG   | 10/26/21 | DRAWING NO. |  | 00975-7104   |              |
| APP'D J. SUMSTAD   | 10/26/21 |             |  |              |              |
| CAD MAINTAINED. (PRO/E)                                  |          |             |  | SHEET 1 OF 1 |              |