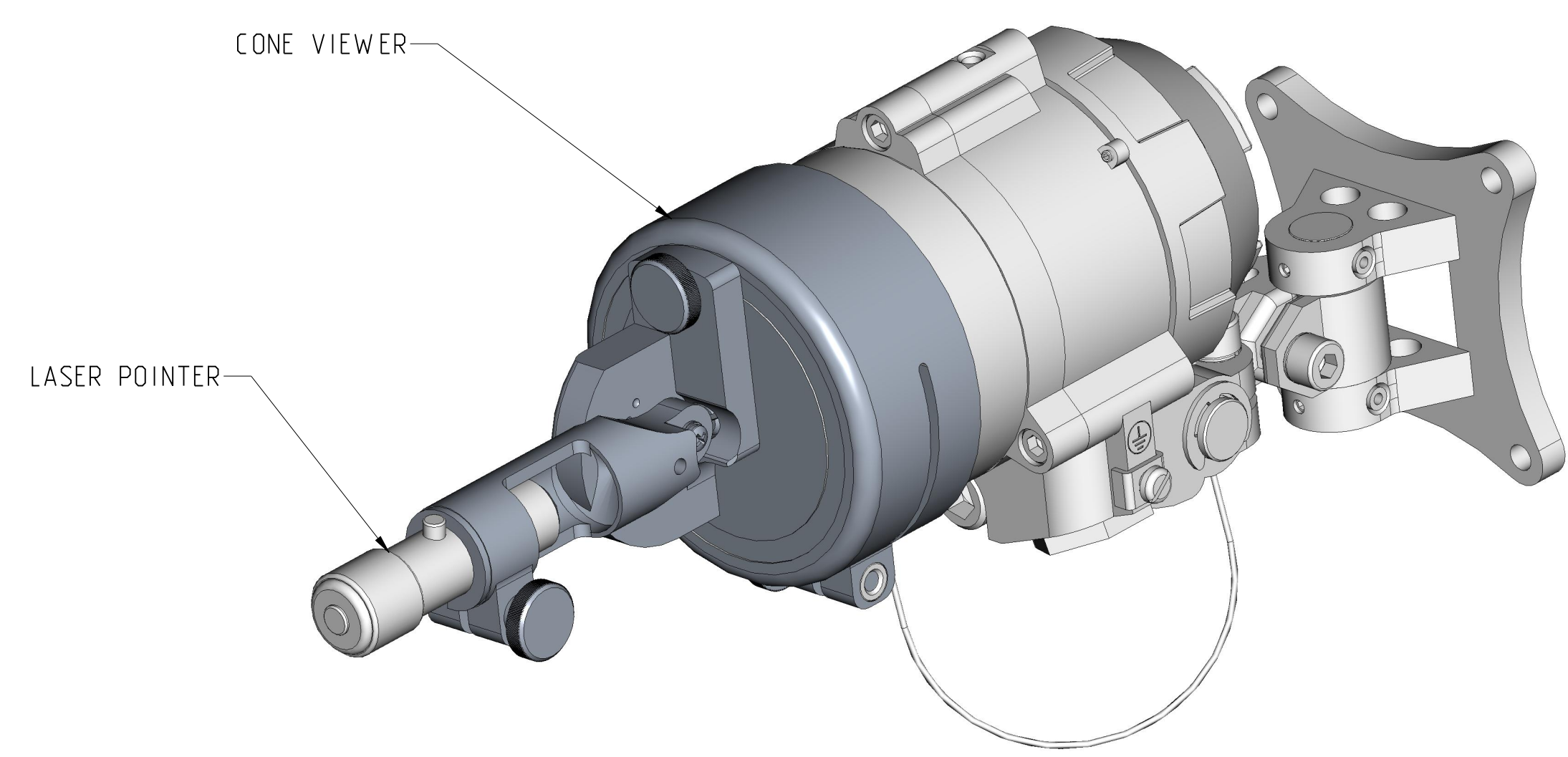
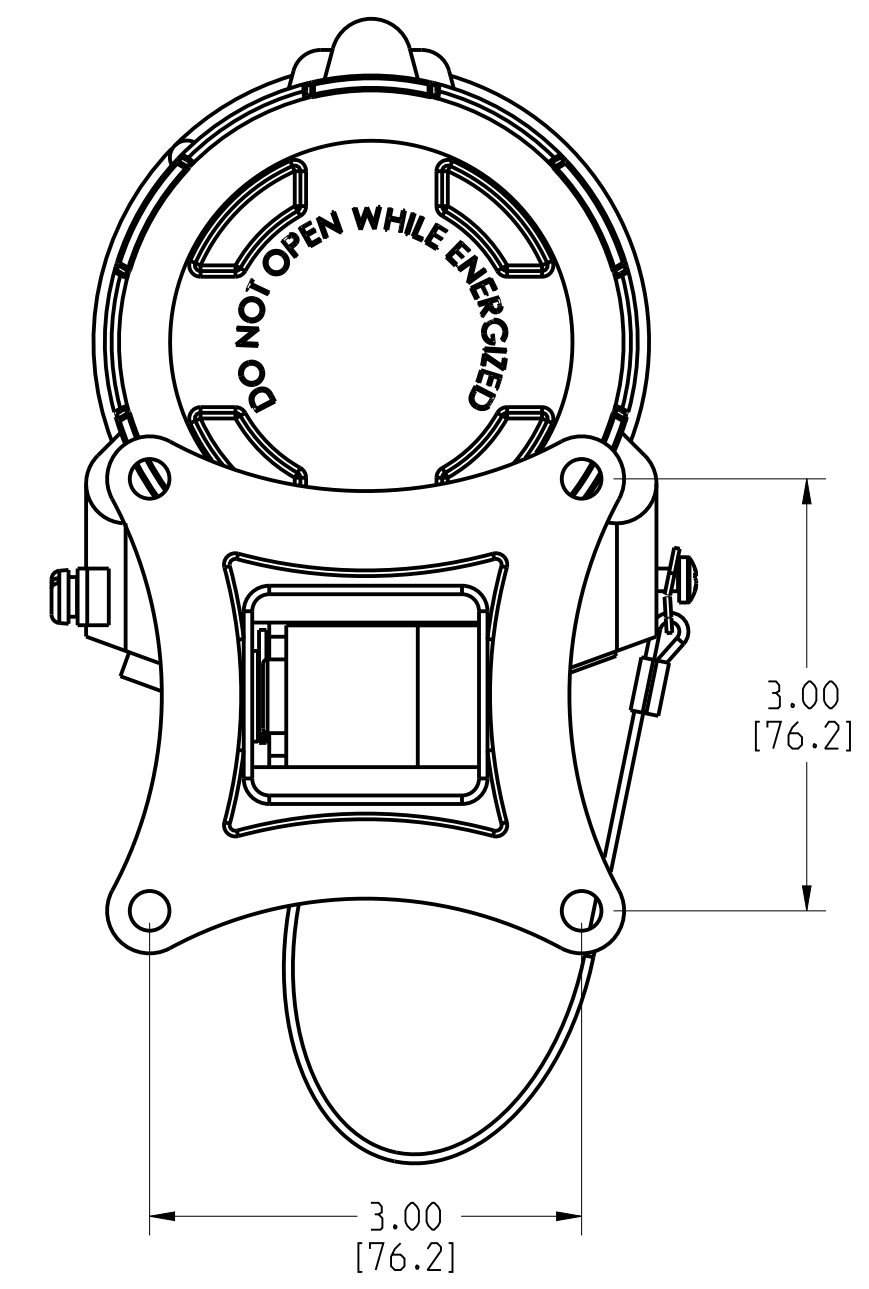
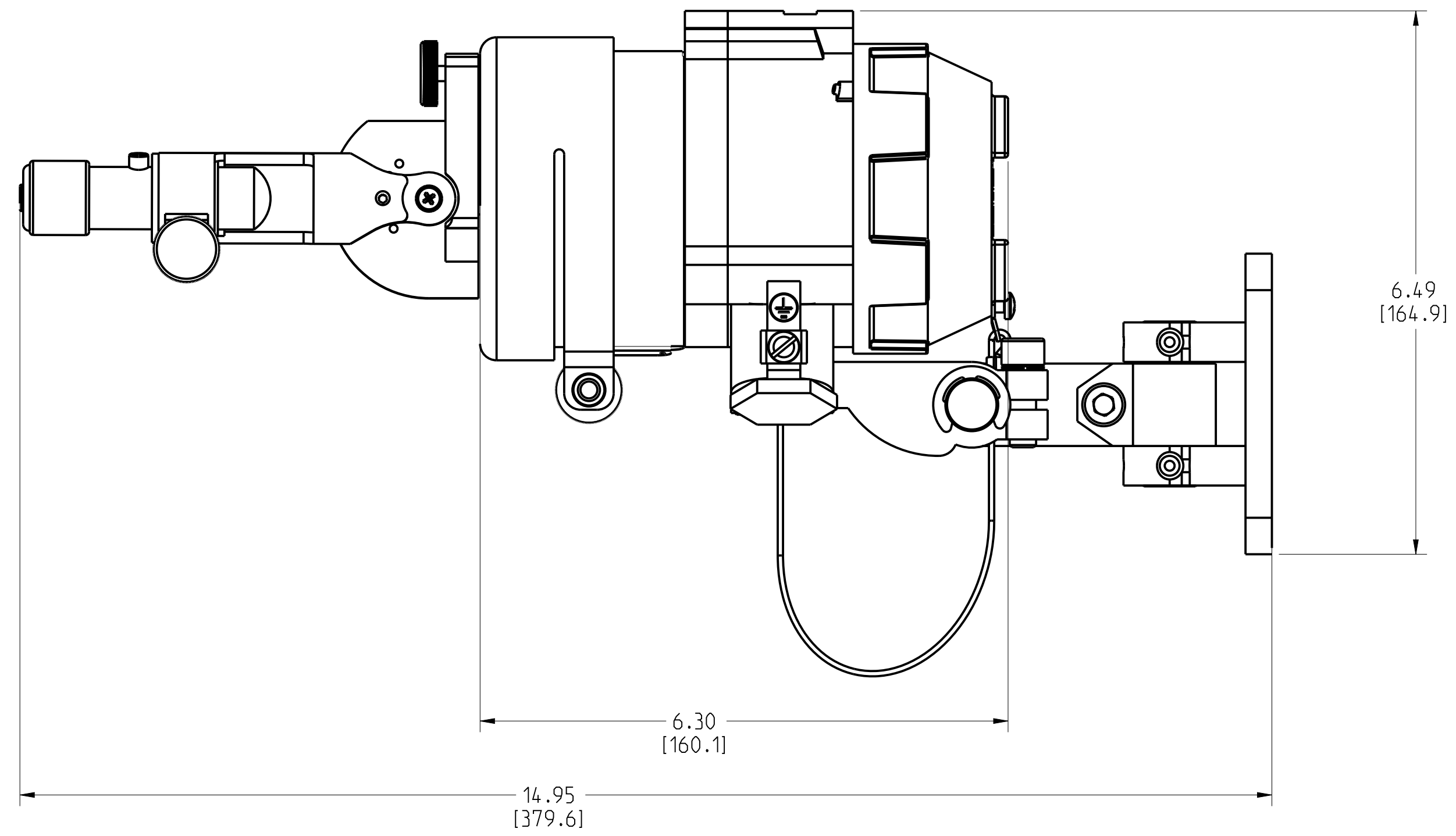
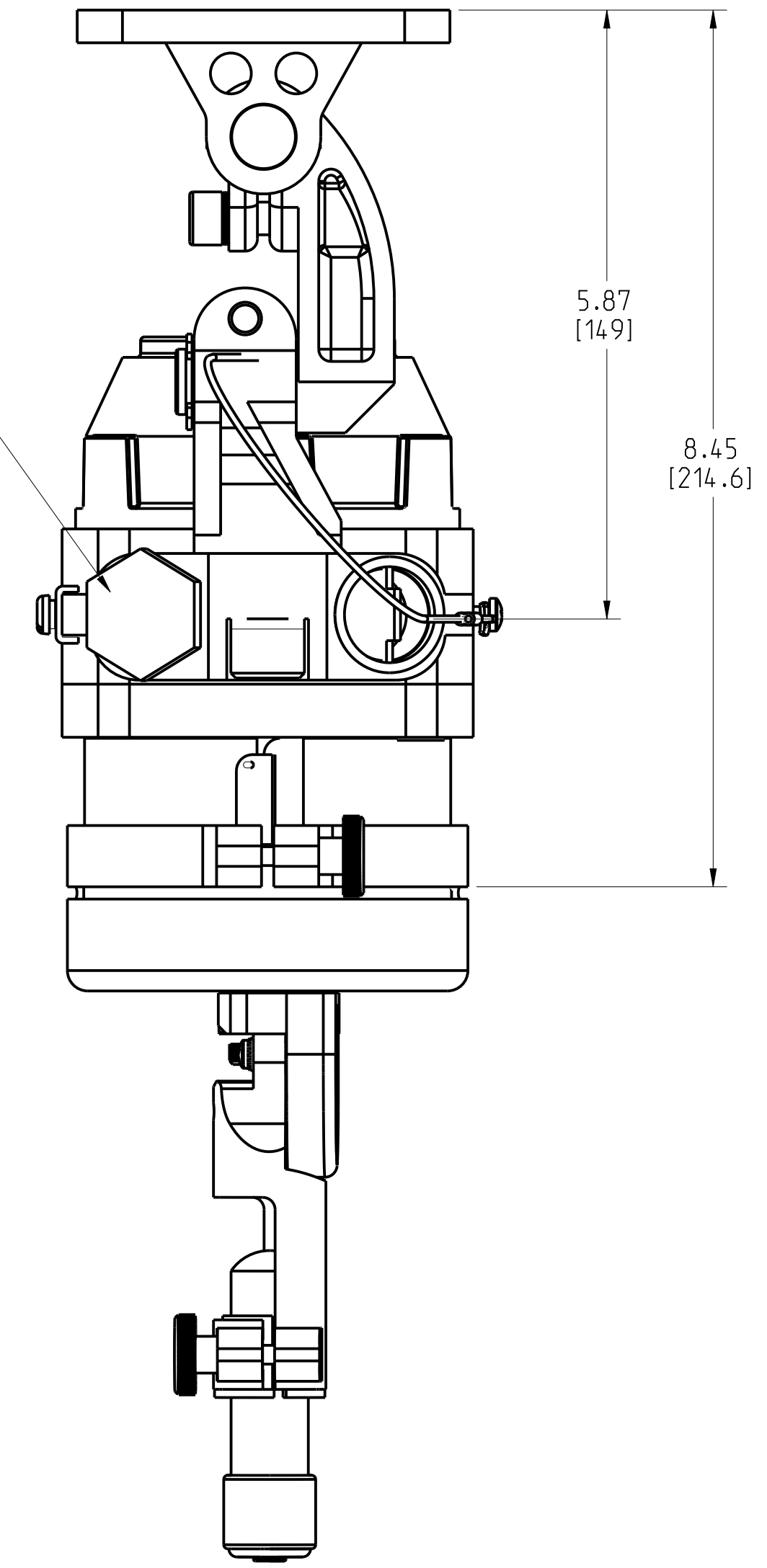


MODEL 975 FLAME DETECTOR WITH CONE VIEWER AND LASER POINTER

REVISION TABLE			
REVISION	ECO NO.	APP'D	DATE
AB	RTC1078355	J. SUMSTAD	12/2/21
DESCRIPTION			
UPDATE HOUSING AND CONVERT TO PRO-E			



M25 X 1.5
OR 3/4 NPT
CONDUIT PLUG
(SST PLUG)



LASER DIAMETER RANGE FROM .35 [9]-.379 [20]
CUSTOMER RESPONSIBLE TO PURCHASE LASER POINTER
(Requires: Diode Laser 30mW Max output at 650nm Class IIIb Laser Product)

©2015 ROSEMOUNT, INC.
ROSEMOUNT AND ALL OTHER TRADE NAMES
ARE REGISTERED TRADEMARKS OF
ROSEMOUNT ENGINEERING
SPECIFICATIONS.
UNIT NOTES IN INCHES (mm).

REFERENCE ROSEMOUNT
PRODUCT SPECIFICATIONS FOR
PRODUCT SPECIFICATIONS.
CLICK HERE

3RD ANGLE

EMERSON

TITLE ROSEMOUNT 975 CONE VIEWER
TYPE I DRAWING

DR. J. ARMSTRONG | 10/21/21 | DRAWING NO. | 00975-7103
APP'D J. SUMSTAD | 10/21/21

CAD MAINTAINED. (PRO/E) SHEET 1 OF 1