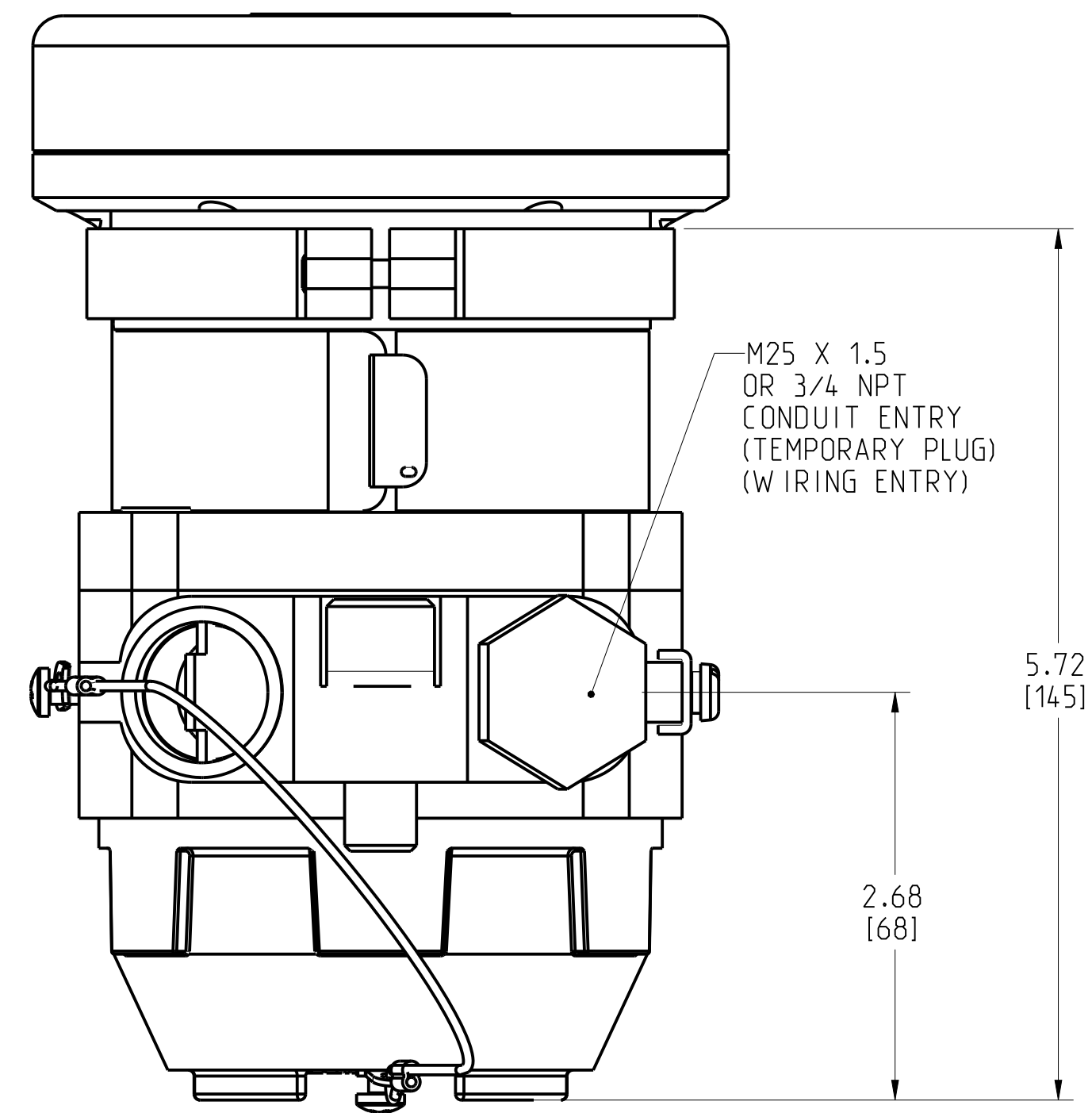
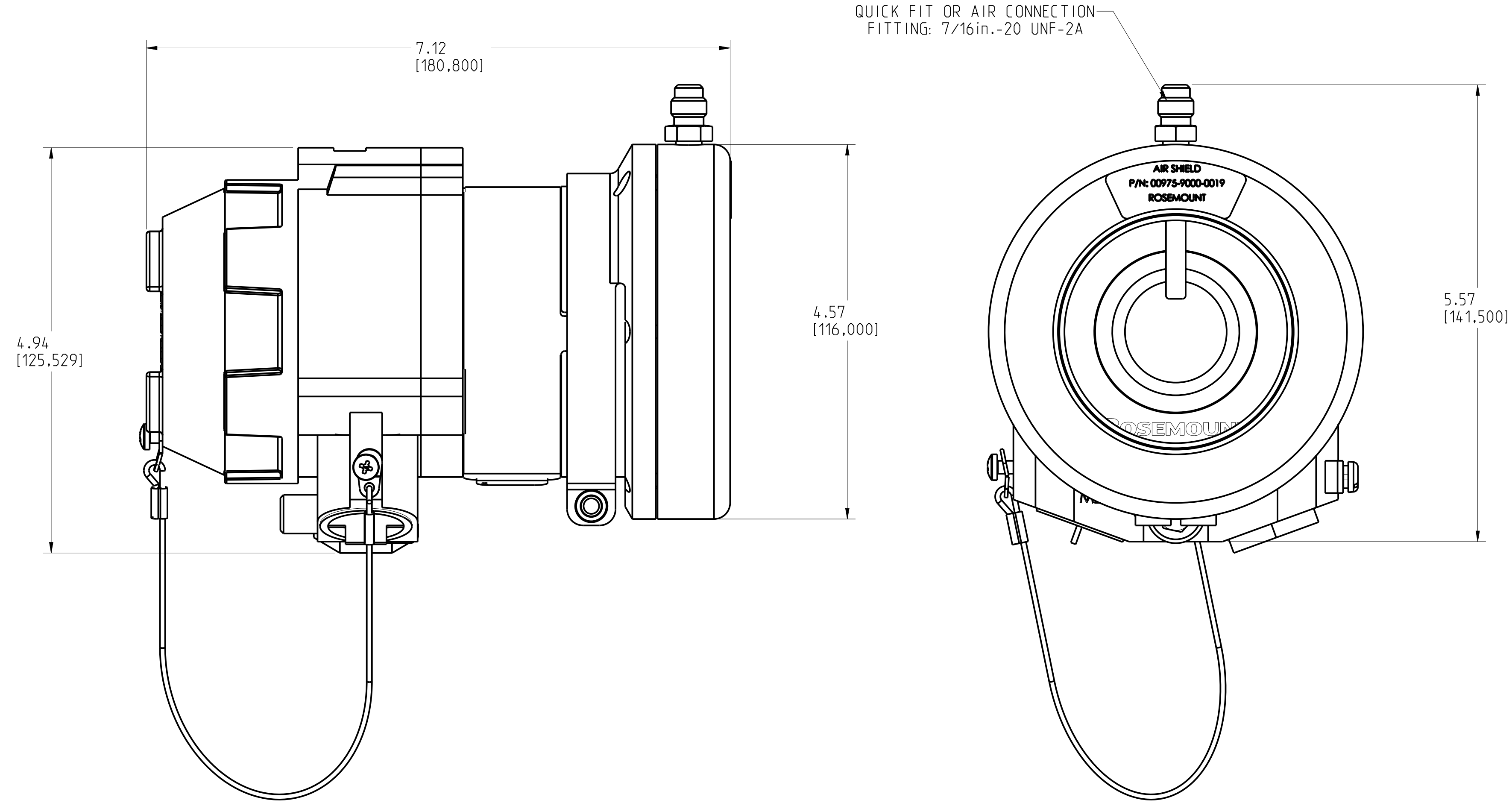


# MODEL 975 FLAME DETECTOR WITH AIR SHIELD

REVISION TABLE			
REVISION	ECO NO.	APP'D	DATE
AB	RTC1078355	J. SUMSTAD	12/2/21
DESCRIPTION			
UPDATE TO NEW HOUSING AND COVERT TO PRO-E			



©2015 ROSEMOUNT, INC.  
 ROSEMOUNT AND ALL OTHER TRADE NAMES  
 ARE REGISTERED TRADEMARKS OF  
 ROSEMOUNT ENGINEERING  
 SPECIFICATIONS.  
 UNIT NOTES IN INCHES (mm).  
 REFERENCE ROSEMOUNT  
 PRODUCT SPECIFICATIONS.  
 CLICK HERE

		3RD ANGLE		SIZE D	SCALE NTS
<b>ROSEMOUNT 975 WITH AIR SHIELD                  TYPE I DRAWING</b>					
DR. J. ARMSTRONG	10/21/21	DRAWING NO.		00975-7105	
APP'D J. SUMSTAD	10/21/21				
CAD MAINTAINED: (PRO/E)				SHEET 1 OF 1	