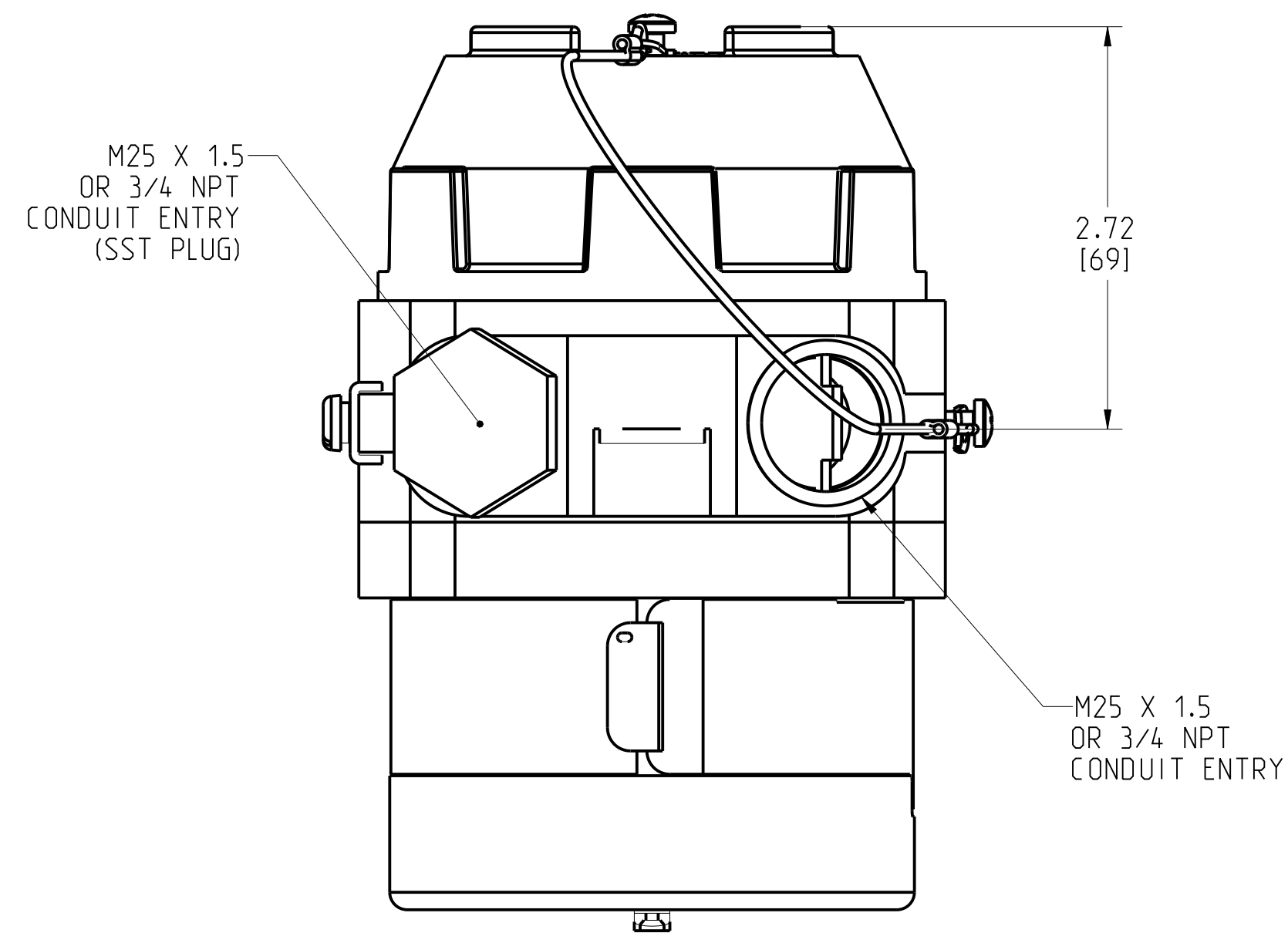
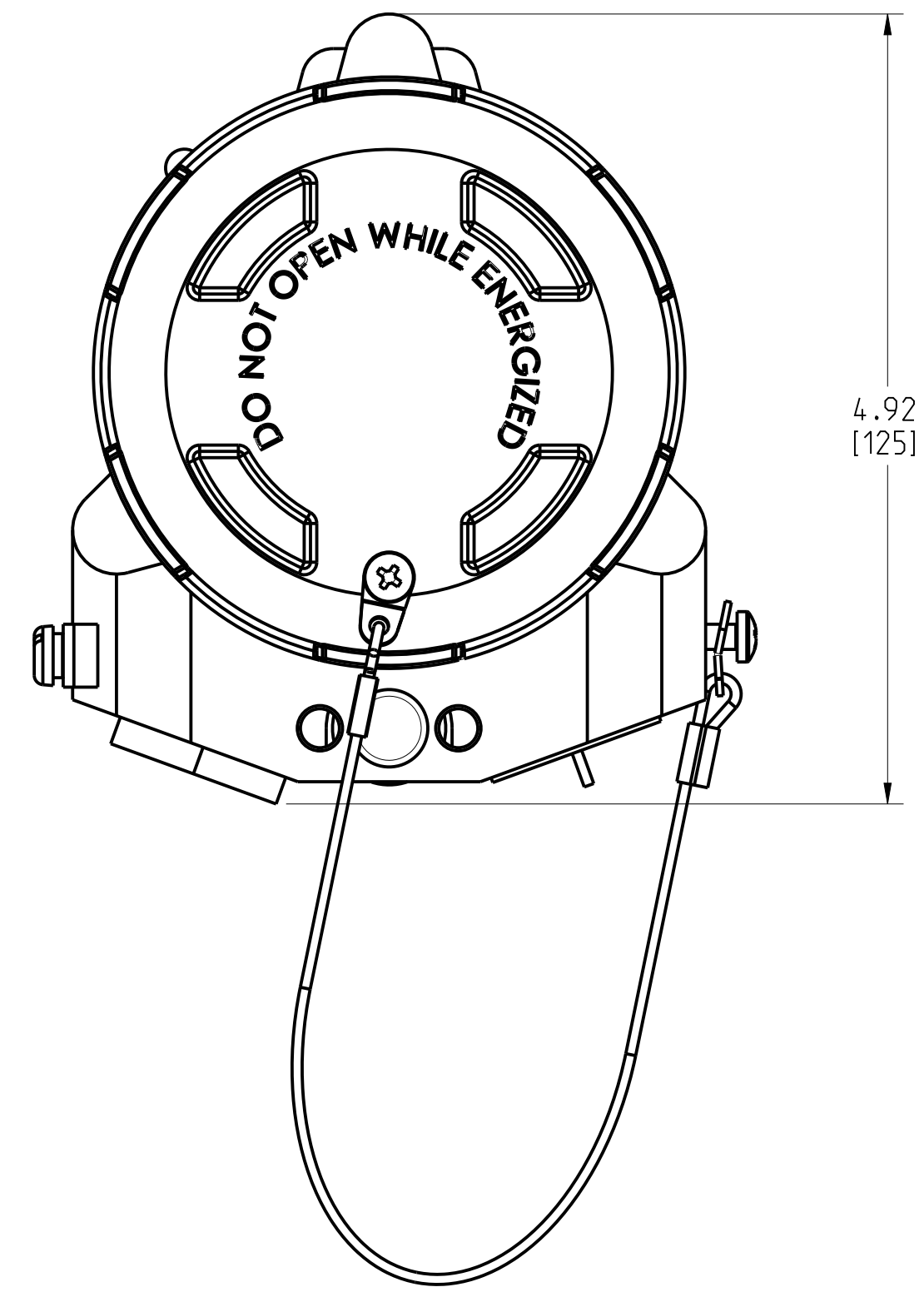
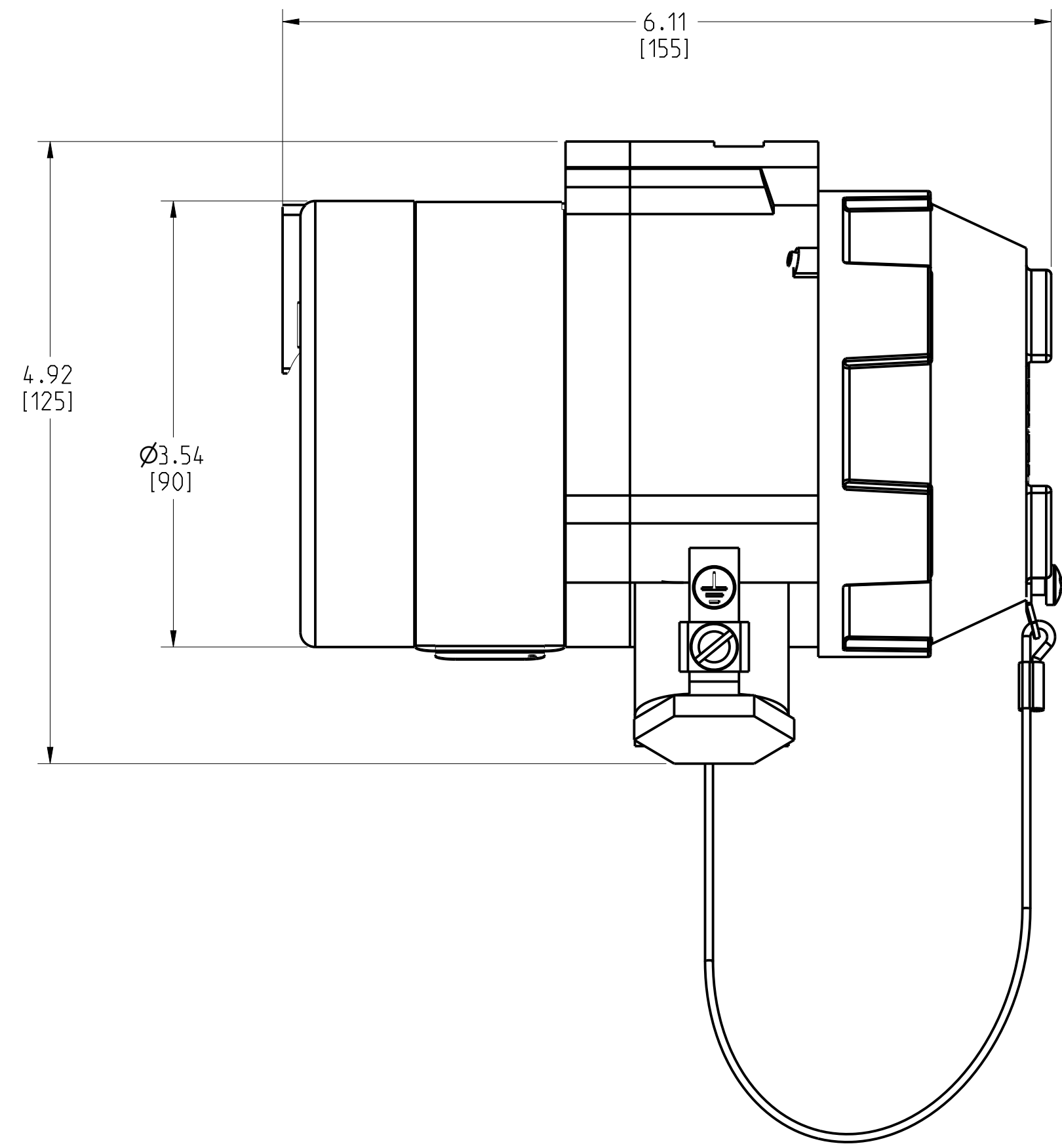


MODEL 975 FLAME DETECTOR

REVISION TABLE			
REVISION	ECO NO.	APP'D	DATE
AB	RTC1078355	J. SUMSTAD	12/2/21
DESCRIPTION			
UPDATE HOUSING AND CONVERT TO PRO-E.			



©2015 ROSEMOUNT, INC.
 ROSEMOUNT INC. ACCEPTS
 THESE DRAWINGS AS THE
 ACCORDANCE WITH
 ROSEMOUNT ENGINEERING
 SPECIFICATIONS.
 UNIT NOTES IN INCHES (mm).
 REFERENCE ROSEMOUNT
 PRODUCT SPECIFICATIONS.
 CLICK HERE

		3RD ANGLE		SIZE D	SCALE NTS
ROSEMOUNT 975 FLAME DETECTOR TYPE I DRAWING					
DR. J. ARMSTRONG	10/21/21	DRAWING NO.		00975-7100	
APP'D J. SUMSTAD	10/21/21				
CAD MAINTAINED: (PRO/E)				SHEET 1 OF 1	