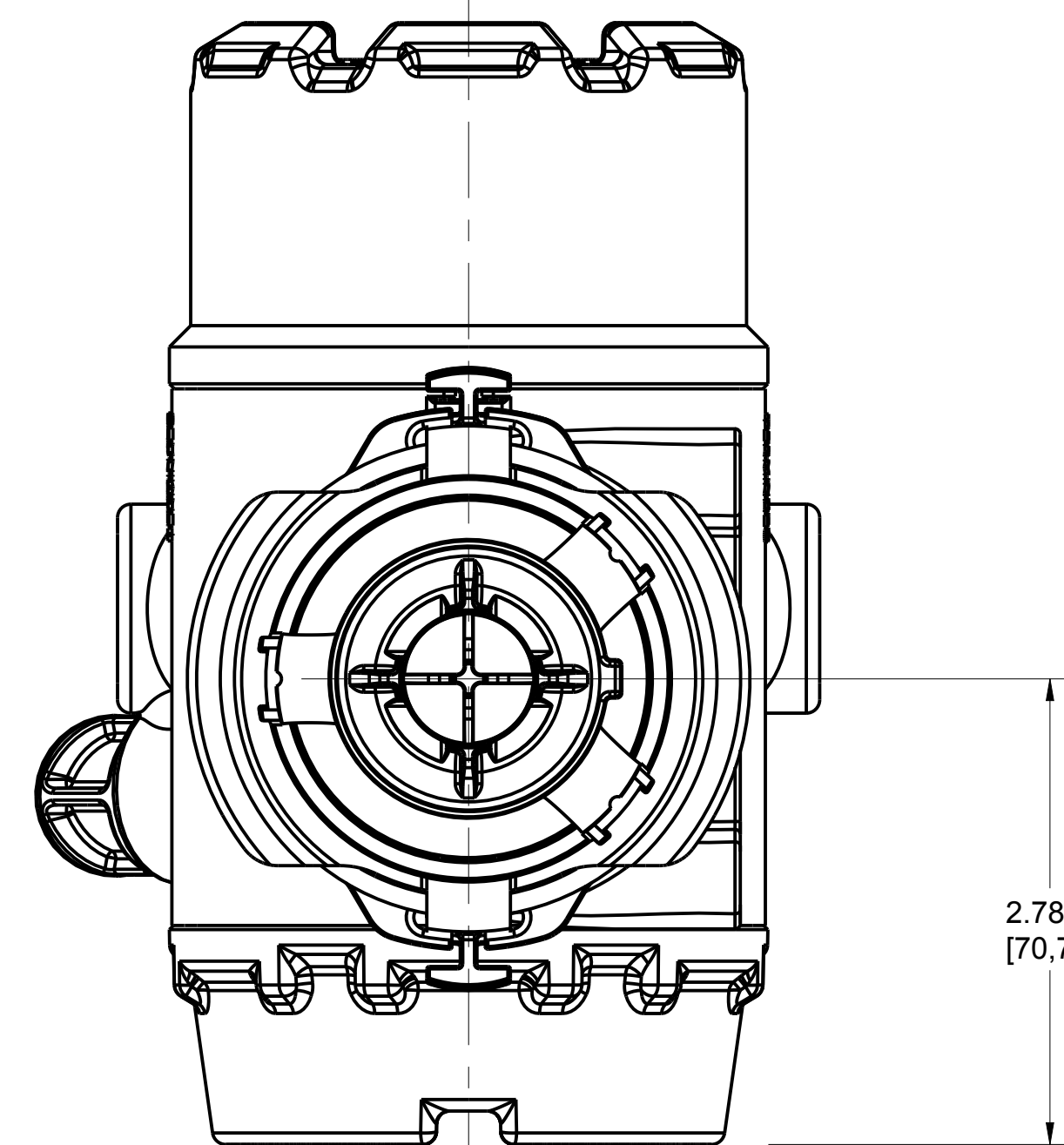
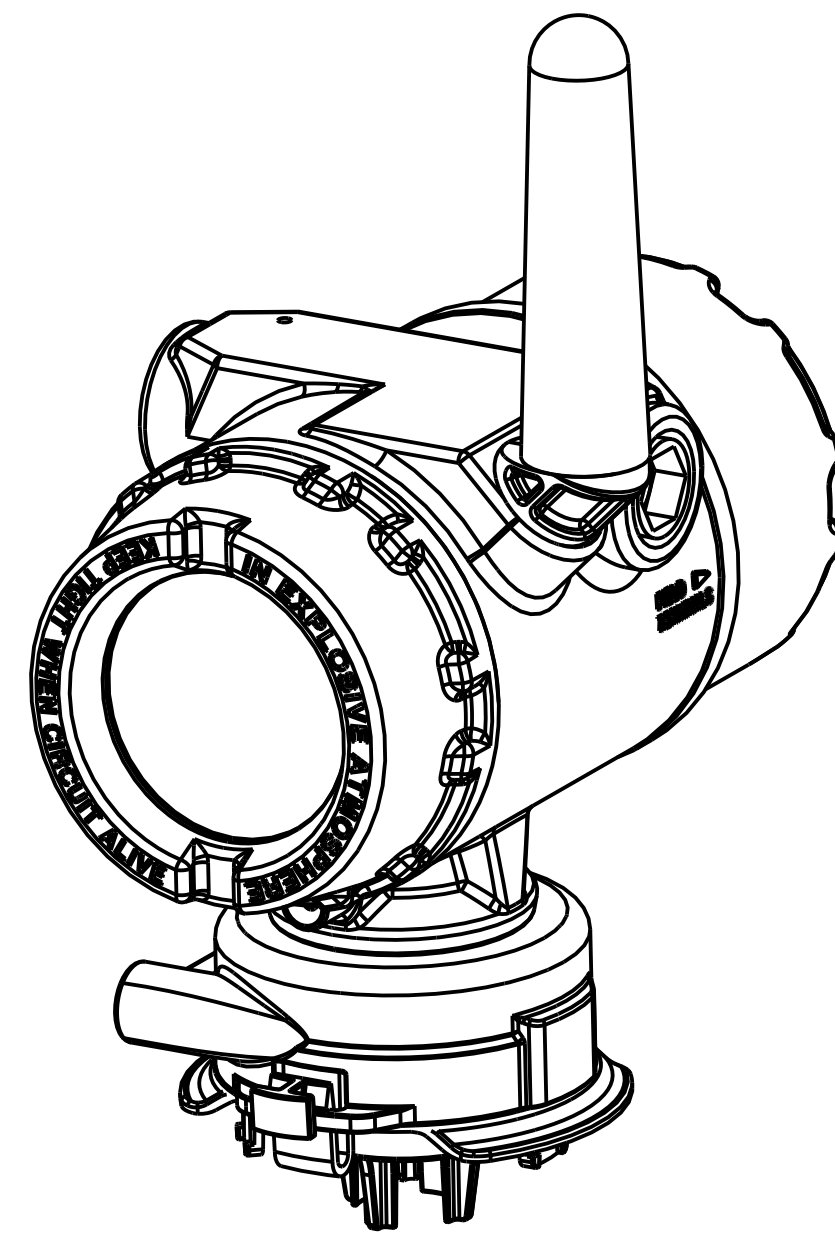
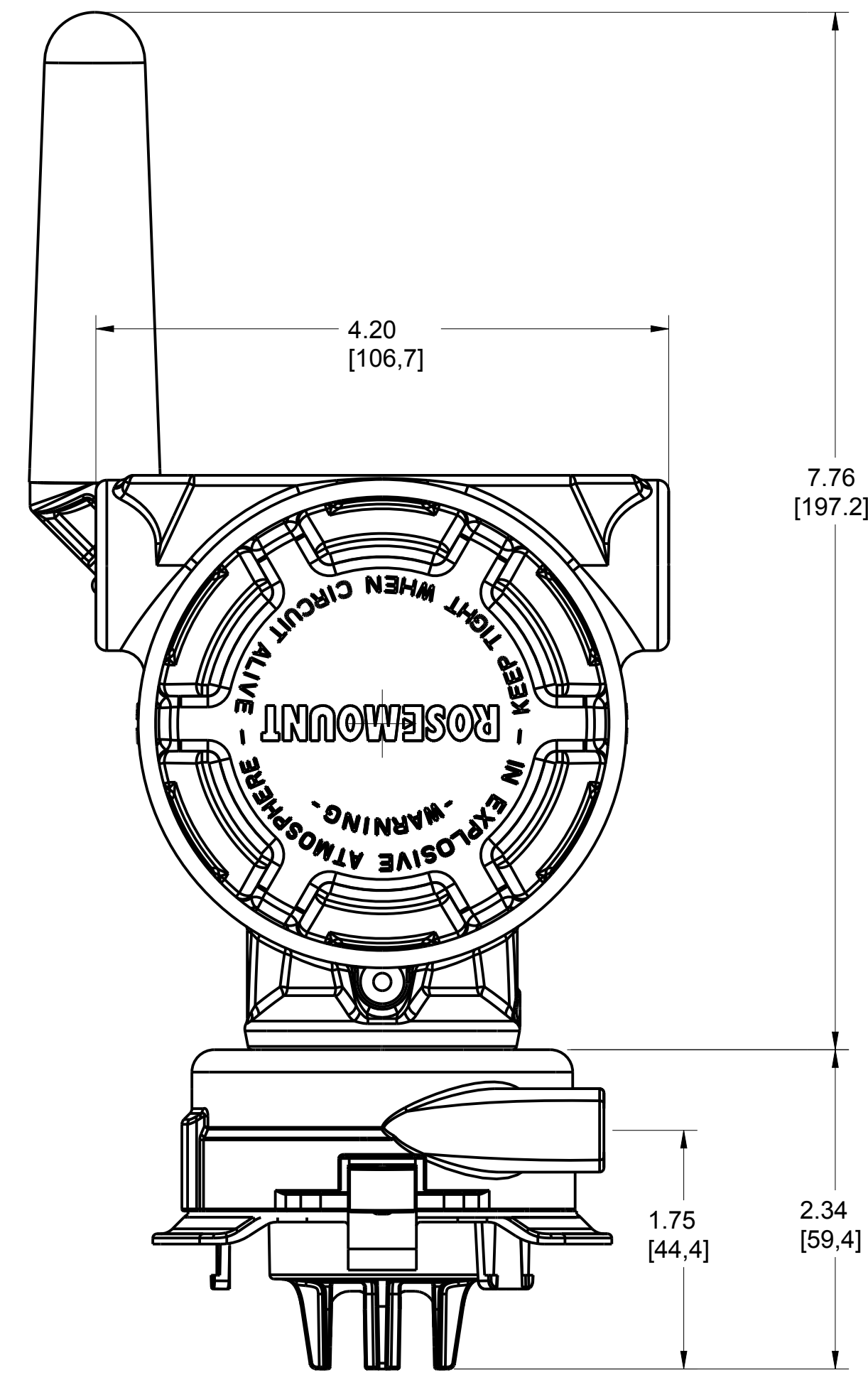
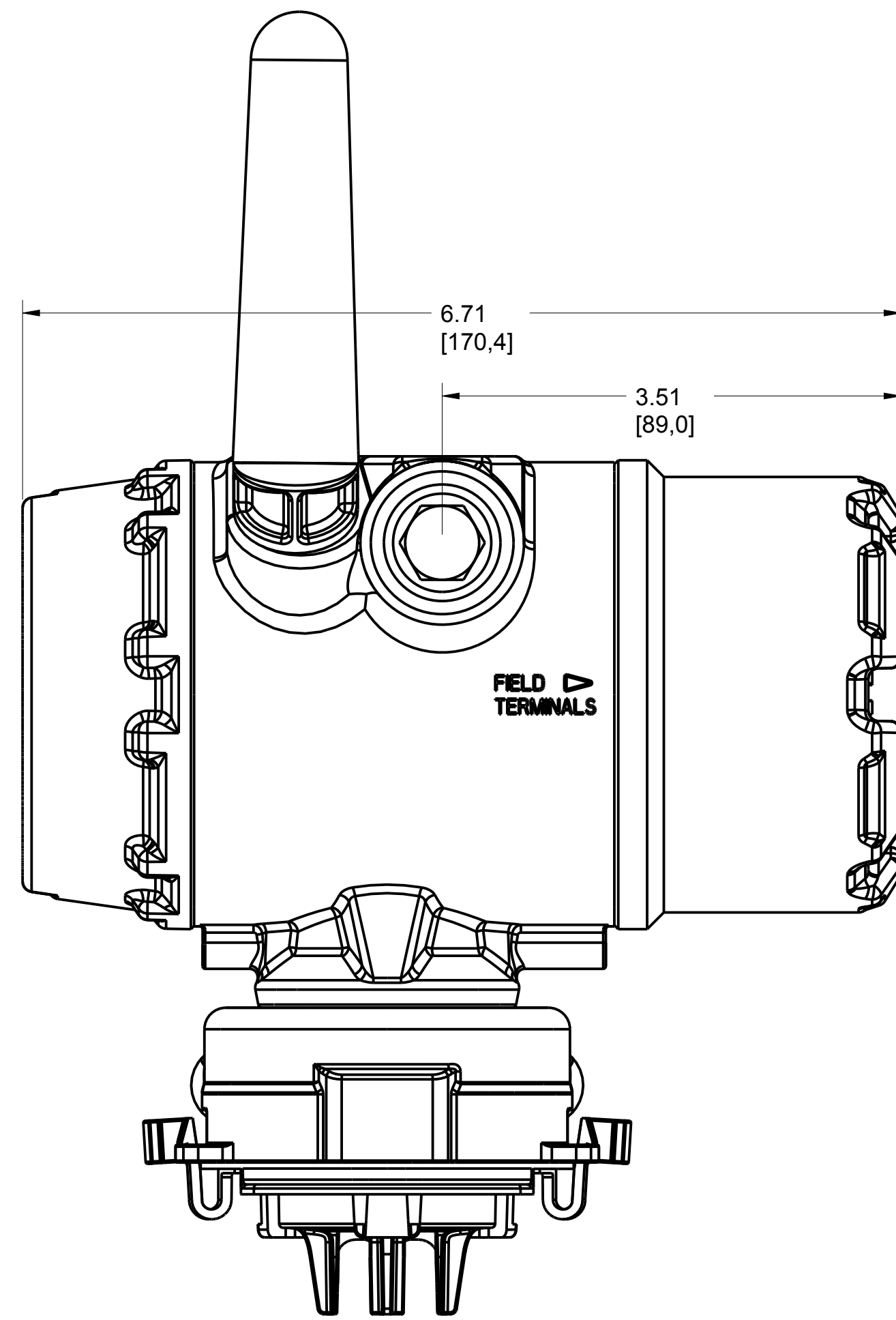


ROSEMOUNT 928 WIRELESS GAS MONITOR

SHOWN WITH DIGITAL DISPLAY
2.4 GHz/WIRELESS HART ANTENNA
628 SENSOR MODULE

REVISION TABLE			
REVISION	ECO NO.	APP'D	DATE
AB	RTC1068833	G. GINDELE	8/15/17
DESCRIPTION			
UPDATE TITLE			



©2015 ROSEMOUNT INC.
ROSEMOUNT INC. CERTIFIES
THIS DRAWING IS MADE
IN ACCORDANCE WITH
ROSEMOUNT ENGINEERING
SPECIFICATIONS.
UNIT NOTES IN INCHES (mm).
REFERENCE ROSEMOUNT
PRODUCT SPECIFICATIONS
FOR PRODUCT SPECIFICATIONS.
CLICK HERE

3RD ANGLE

SIZE D SCALE NTS

EMERSON

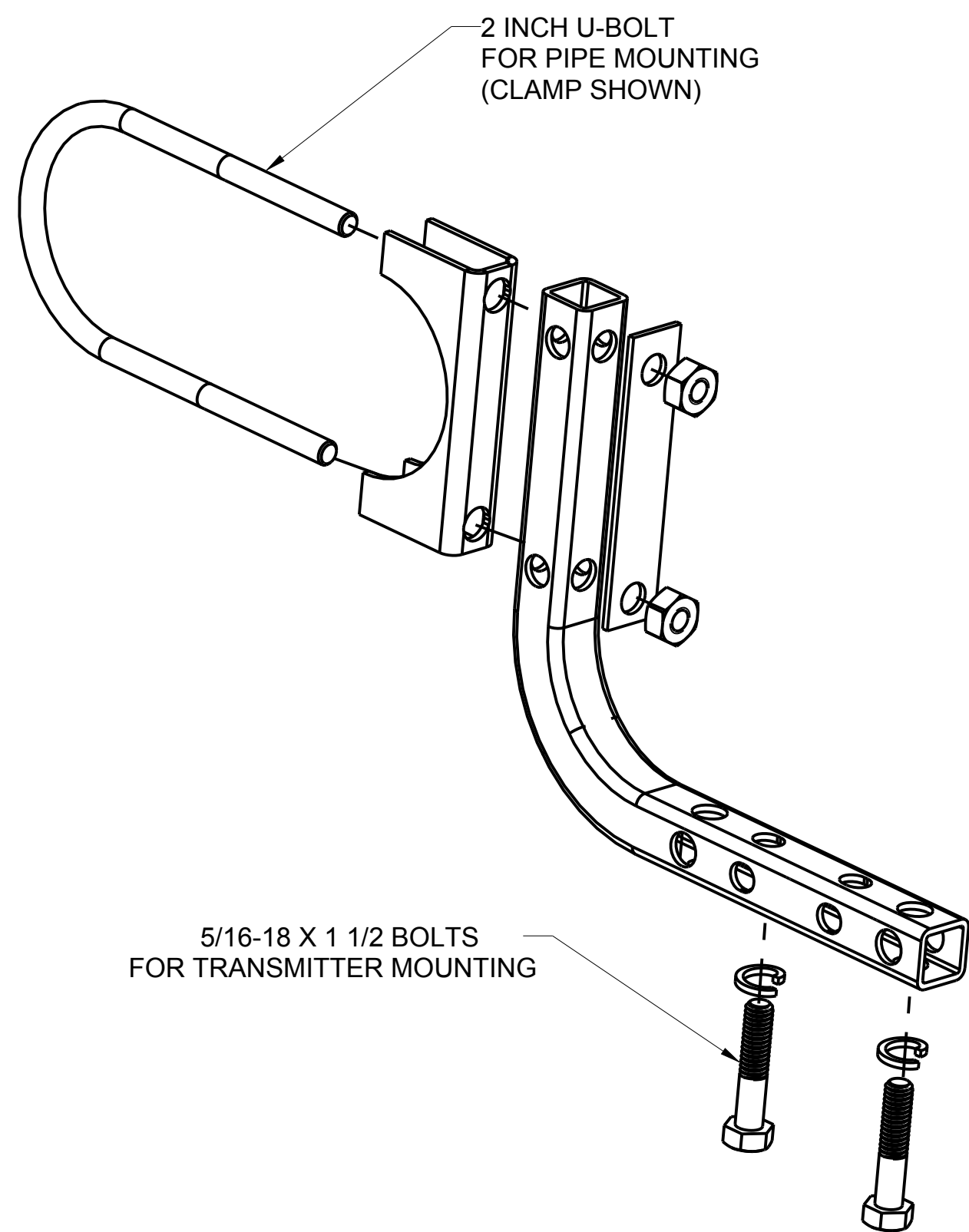
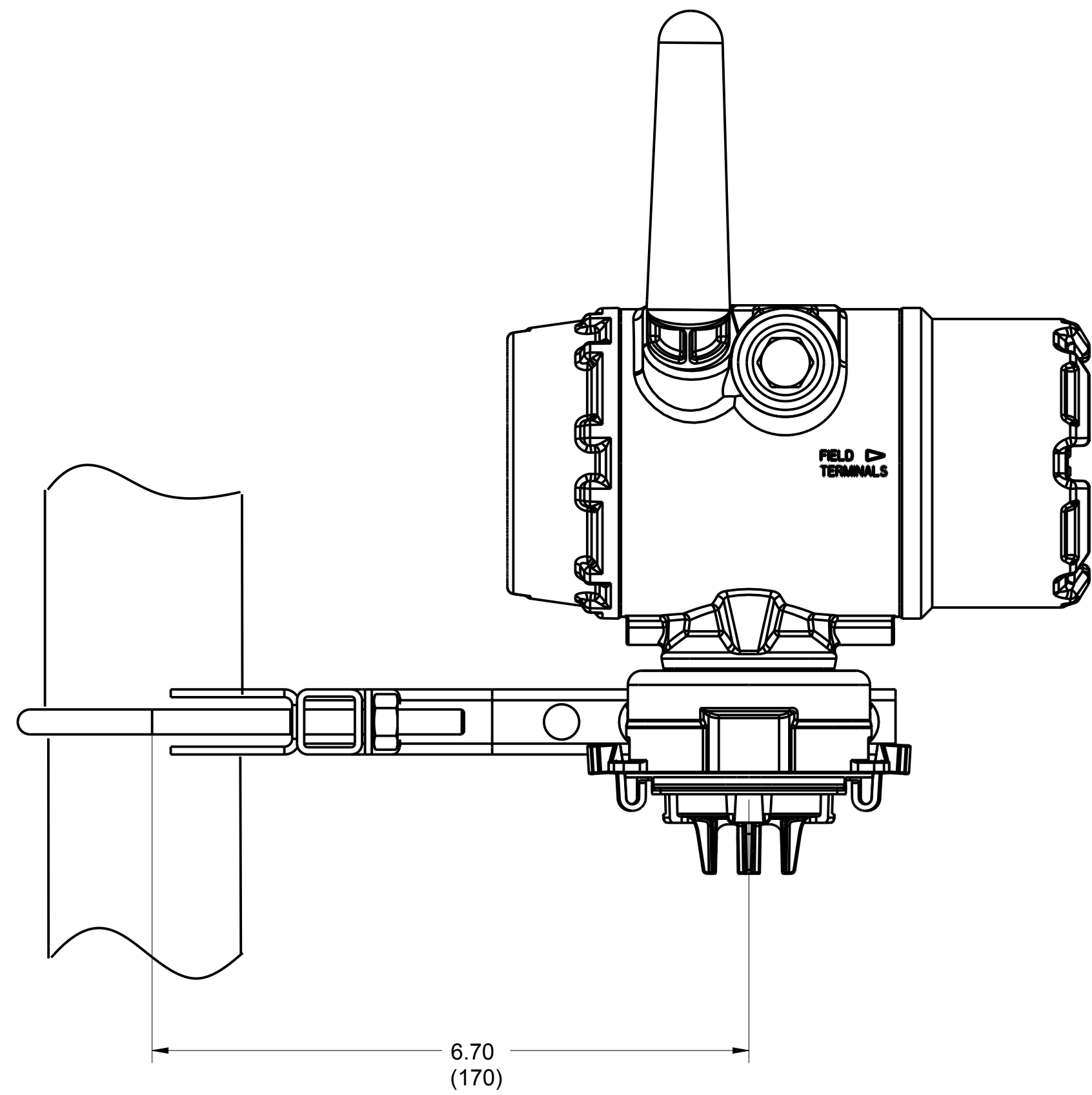
TITLE
**ROSEMOUNT 928
TYPE I DRAWING**

DR. J. ARMSTRONG	5/24/17	DRAWING NO.	
APP'D G. GINDELE	5/24/17		00928-7000

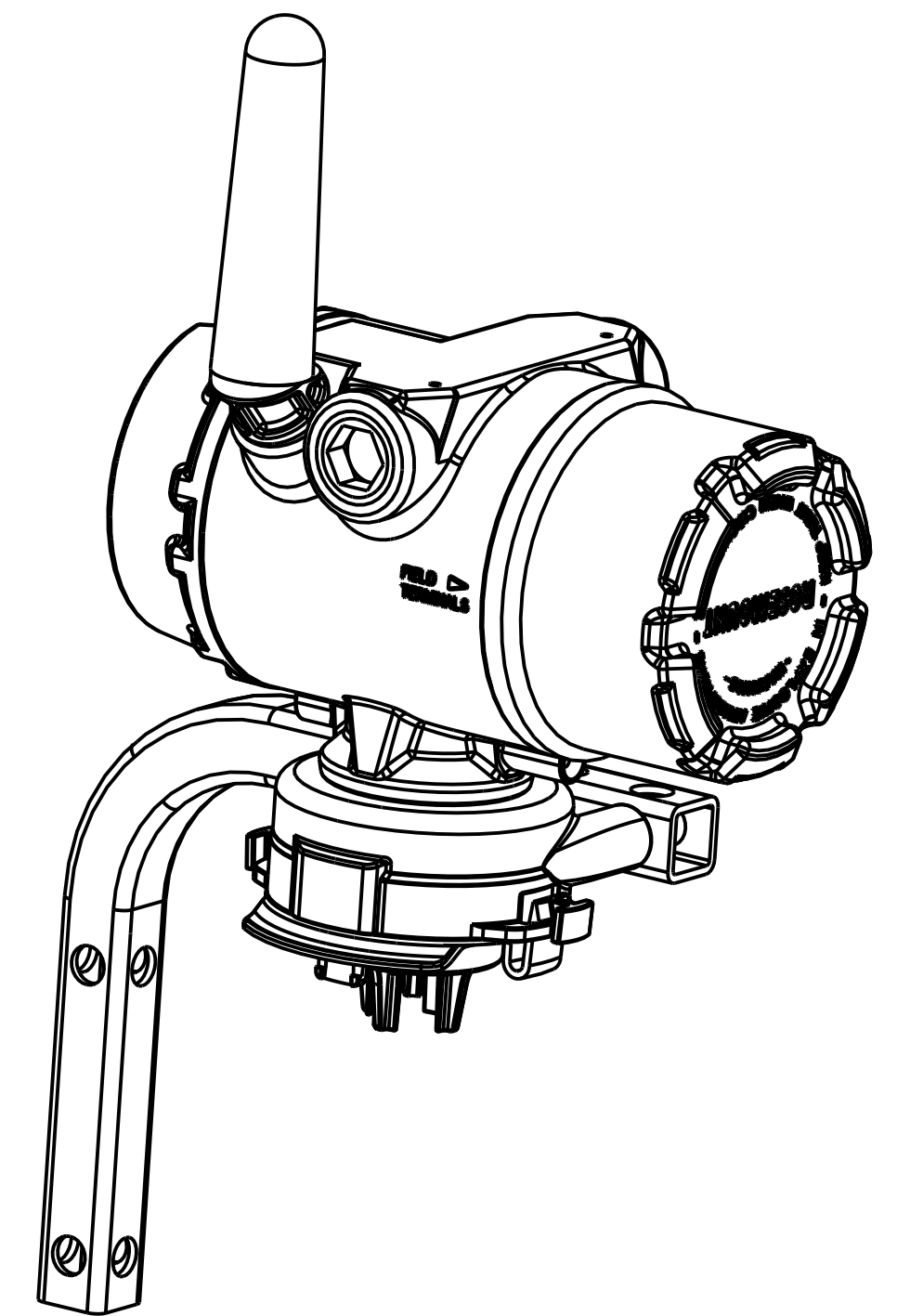
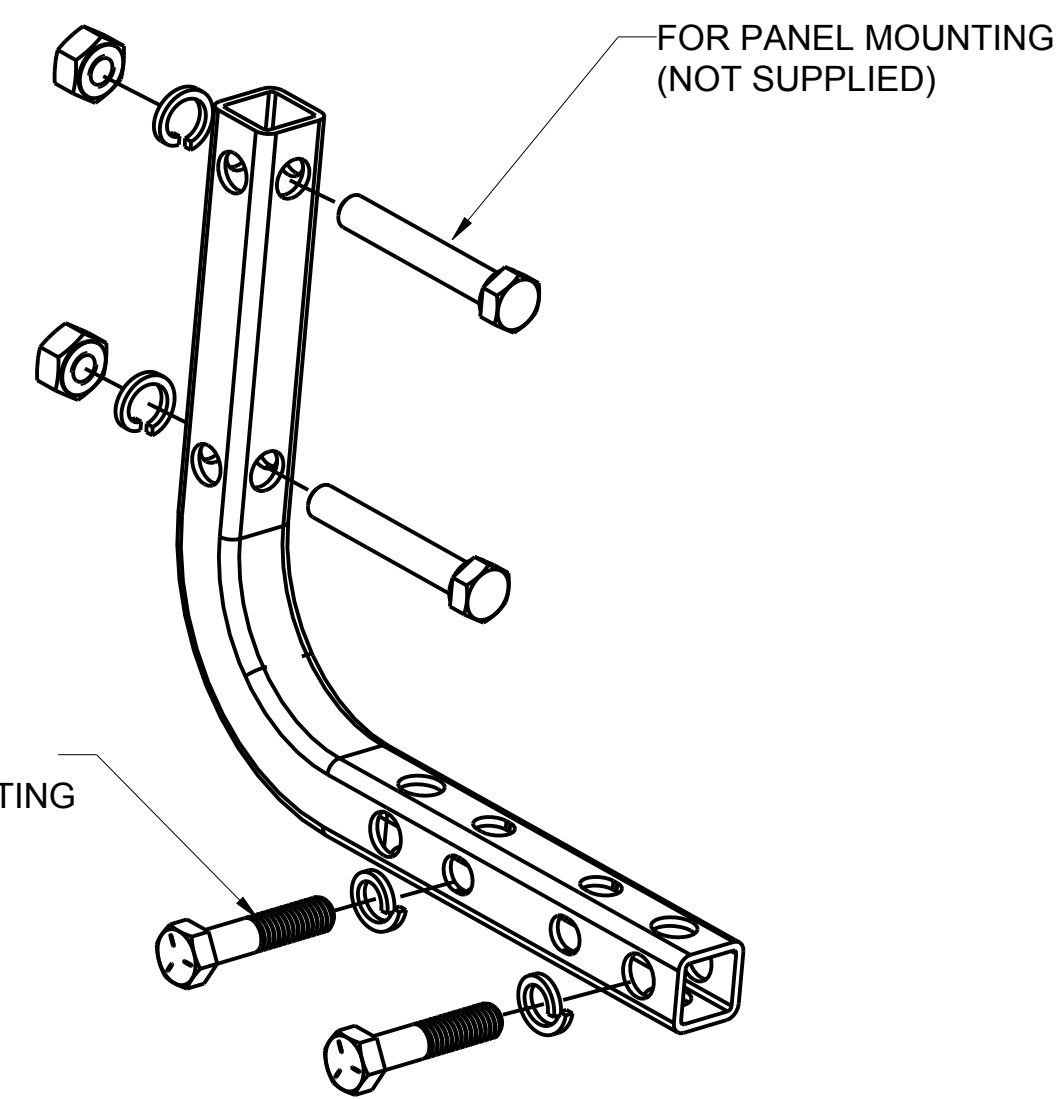
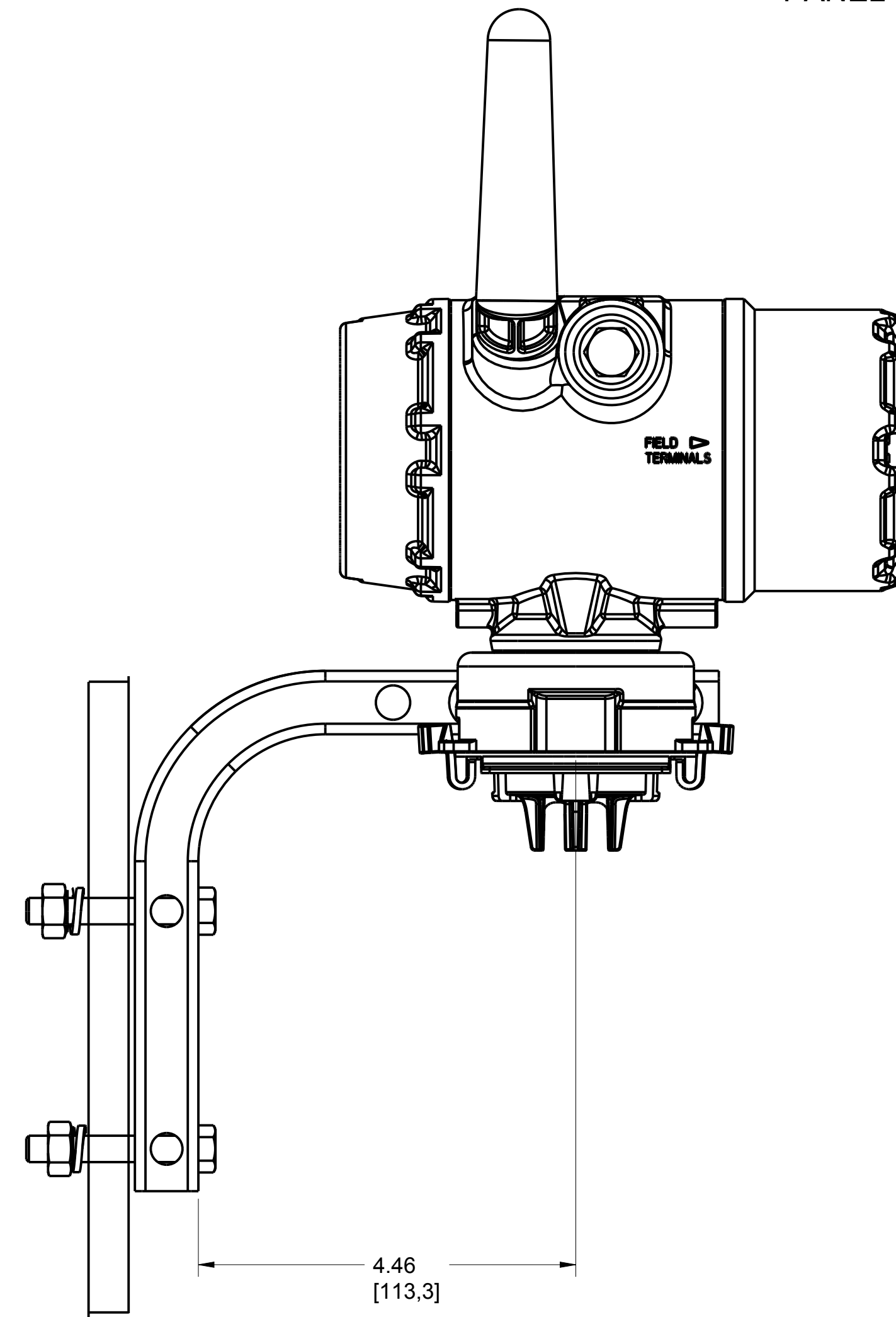
CAD MAINTAINED, (PROE) SHEET 1 OF 2

ROSEMOUNT 928 WIRELESS GAS MONITOR
MOUNTING CONFIGURATIONS WITH OPTIONAL MOUNTING BRACKET

PIPE MOUNTING



PANEL MOUNTING



©2015 ROSEMOUNT INC.
ROSEMOUNT INC. CERTIFIES
THIS DRAWING IS MADE
IN ACCORDANCE WITH
ROSEMOUNT ENGINEERING
SPECIFICATIONS.
UNIT NOTES IN INCHES (mm).
REFERENCE ROSEMOUNT
PRODUCT SPECIFICATIONS.
CLICK HERE

3RD ANGLE

EMERSON

TITLE ROSEMOUNT 928
TYPE I DRAWING

DR. J. ARMSTRONG 5/24/17 DRAWING NO. 00928-7000
APP'D G. GINDELE 5/24/17

CAD MAINTAINED, (PROE) SHEET 2 OF 2