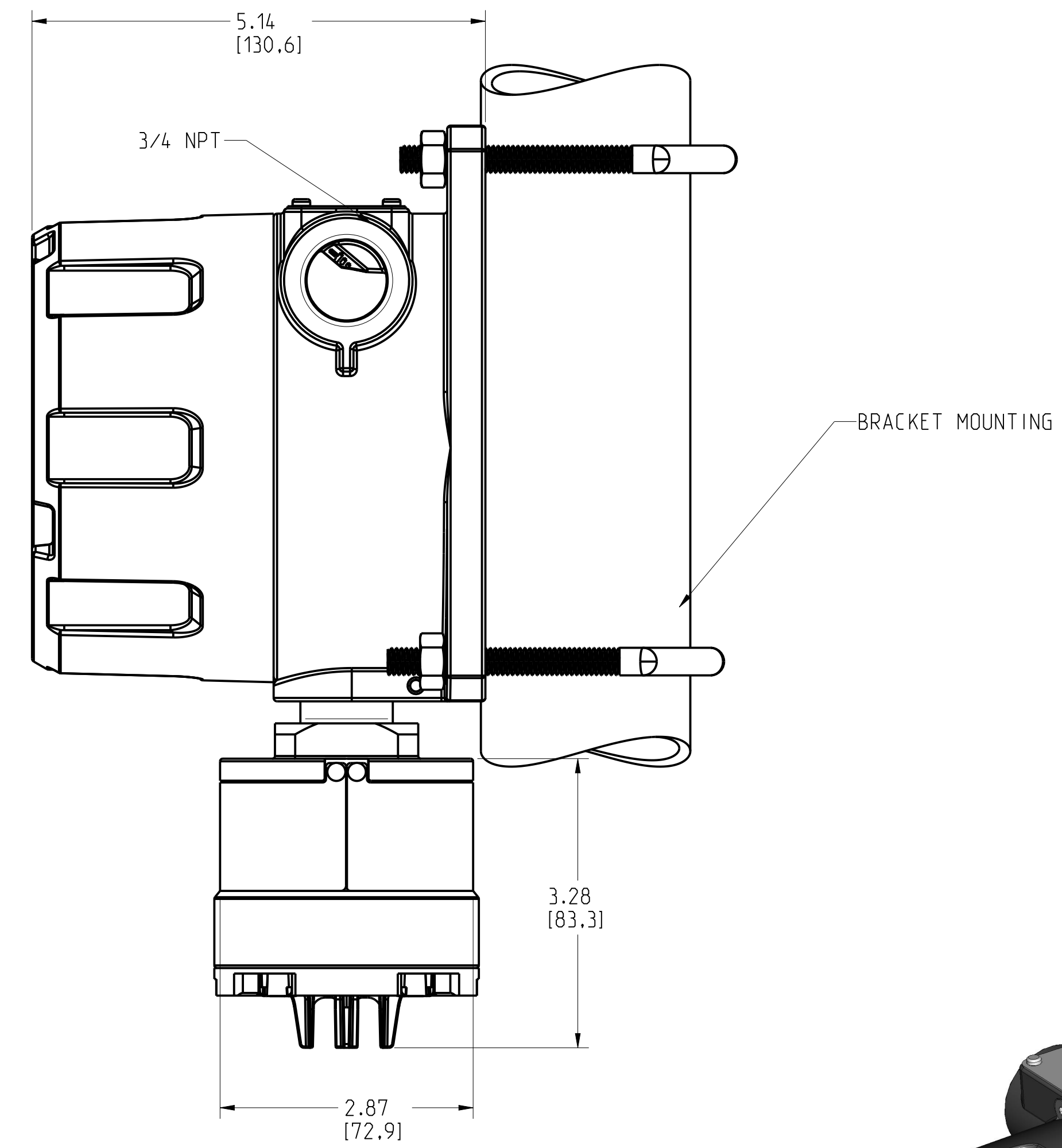
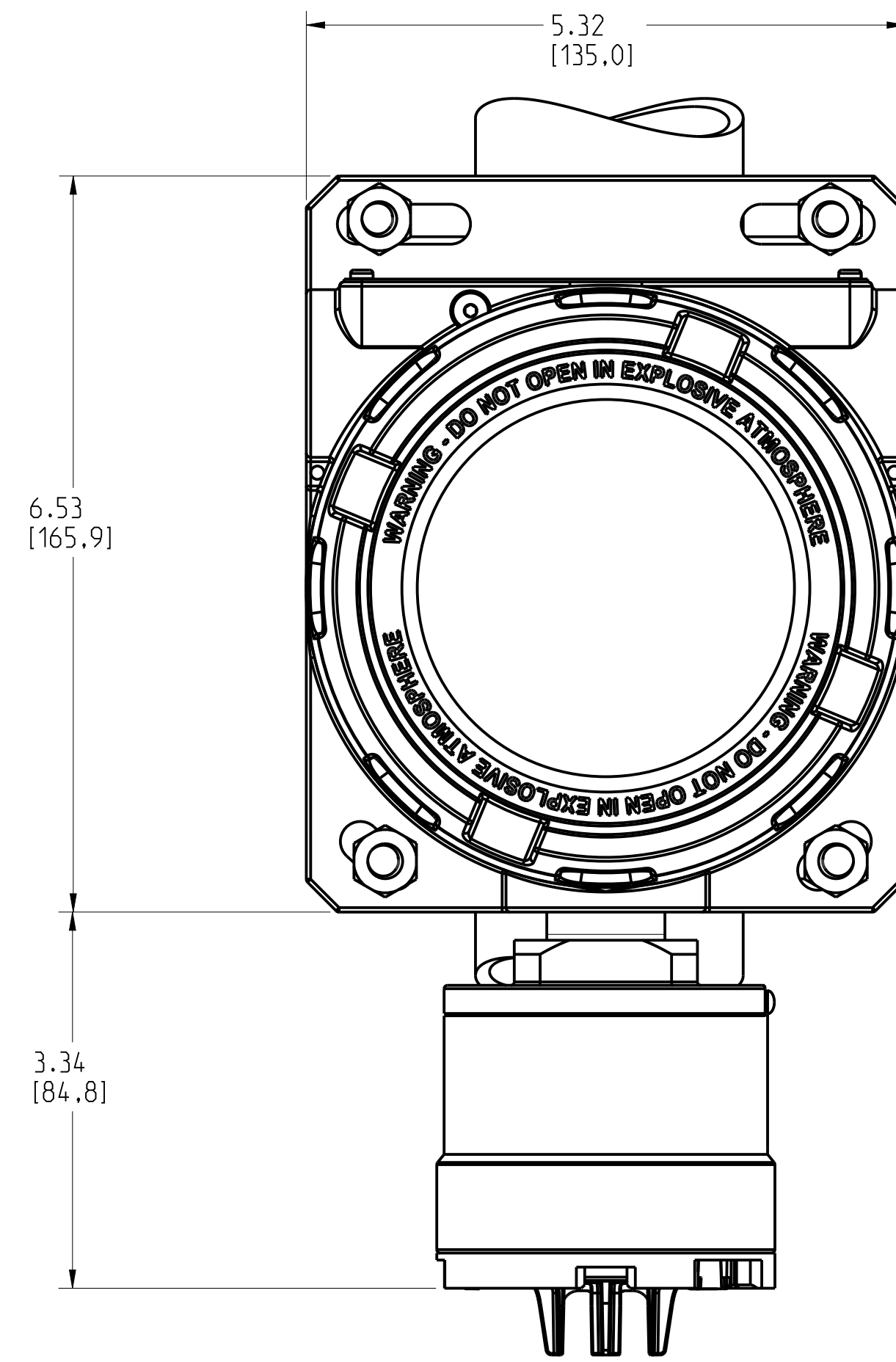


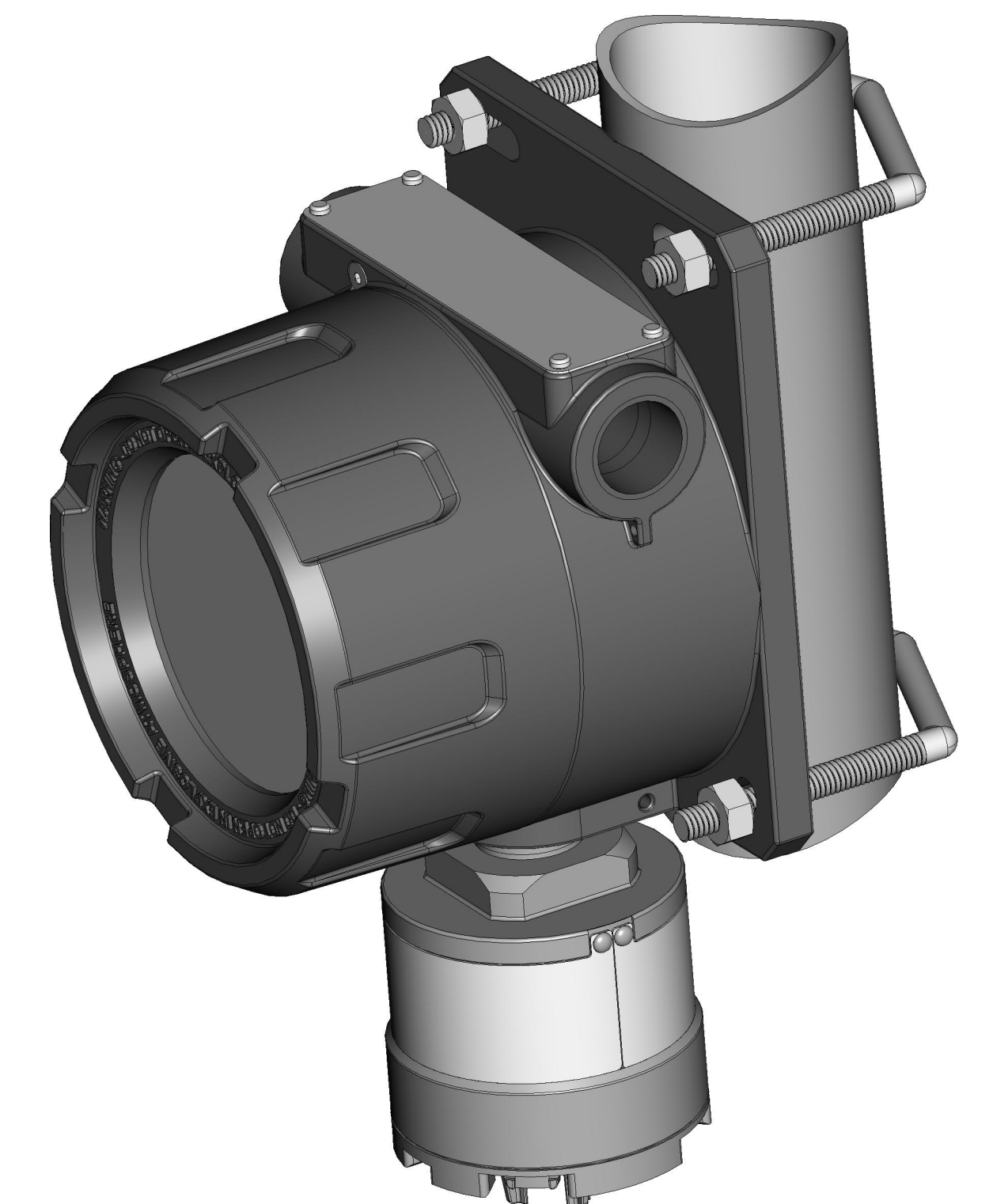
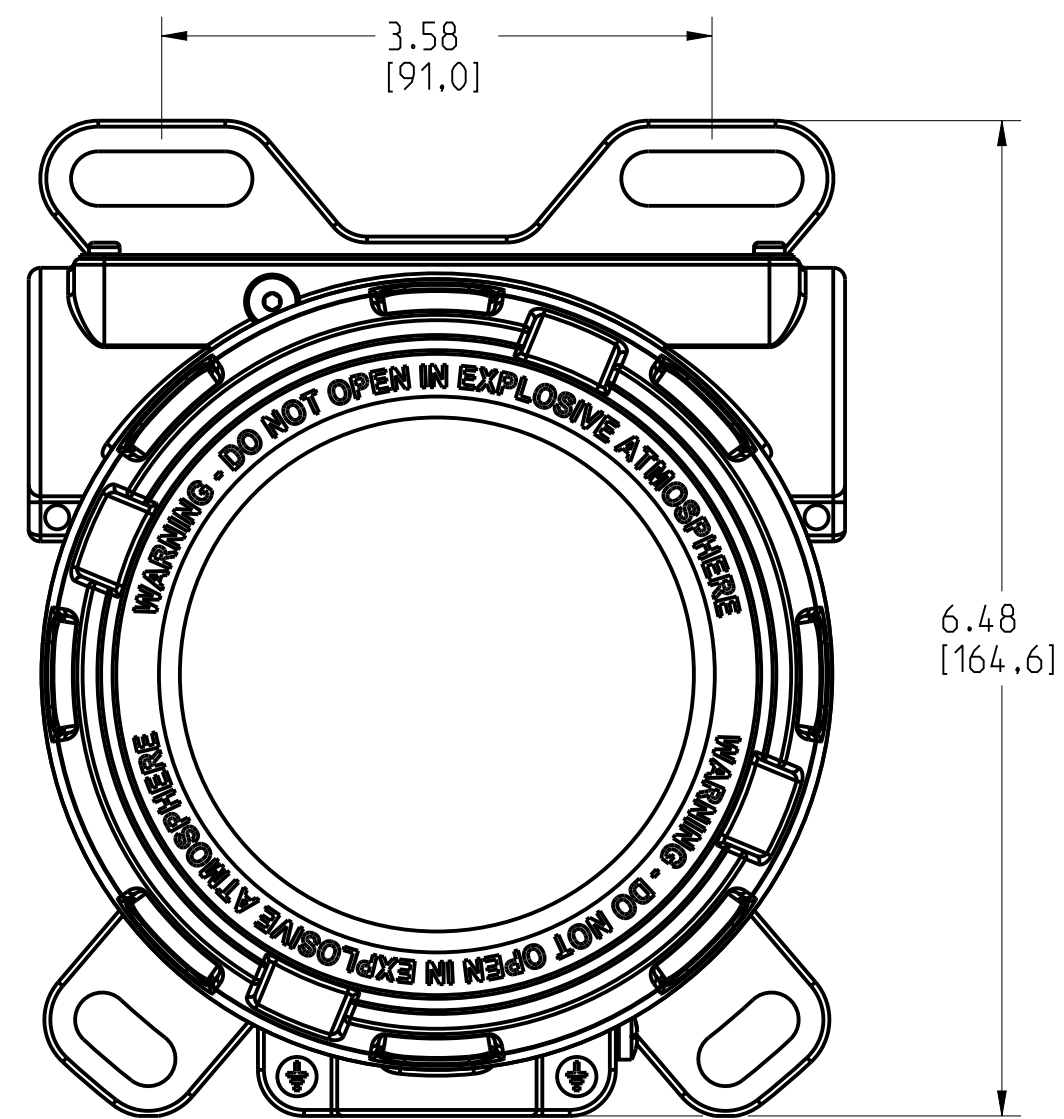
ROSEMOUNT MODEL 925 GAS DETECTION TRANSMITTER
WITH 625ND SENSOR

REVISION TABLE			
REVISION	ECO NO.	APP'D	DATE
AA	RTC1076286	T. LUGWIGSON	11/16/20
DESCRIPTION			
NEW RELEASE			

ALUMINUM HOUSING SHOWN



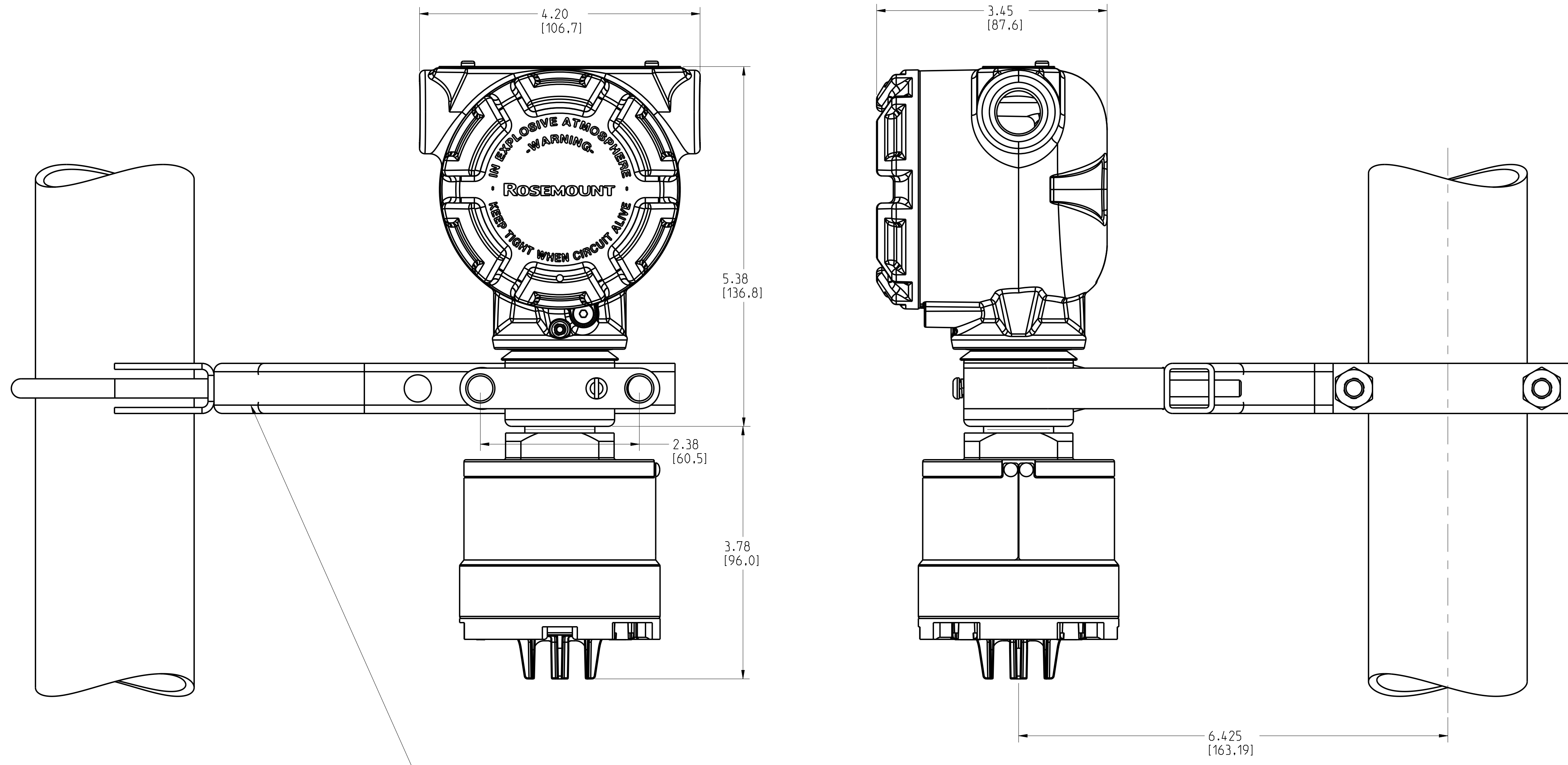
SST HOUSING SHOWN



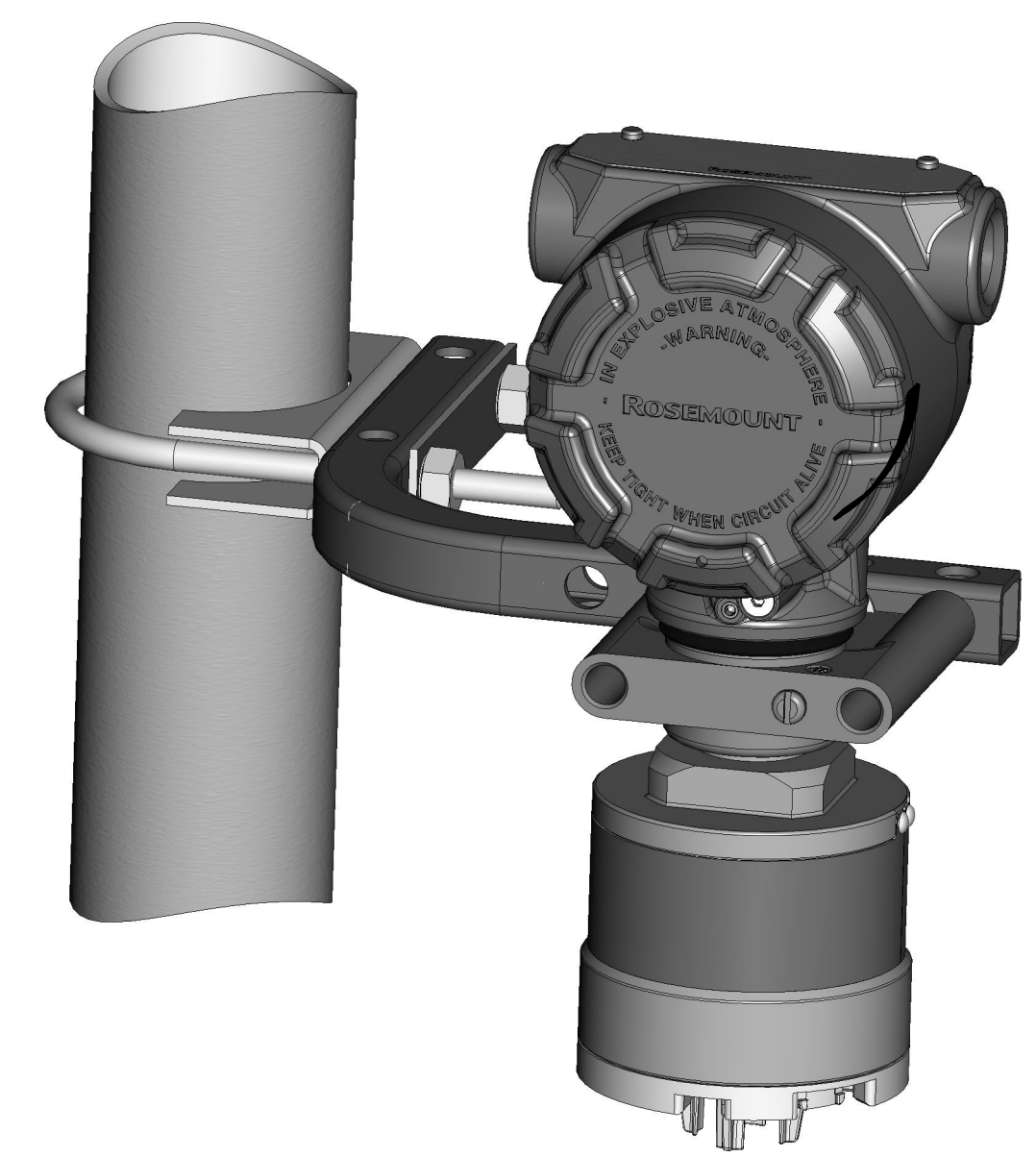
©2015 ROSEMOUNT, INC.
ROSEMOUNT INC. CLAIMS
THESE DRAWINGS ARE MADE IN
ACCORDANCE WITH
ROSEMOUNT ENGINEERING
SPECIFICATIONS.
UNIT NOTES IN INCHES (mm).
REFERENCE ROSEMOUNT
PRODUCT SPECIFICATIONS.
CLICK HERE

EMERSON		3RD ANGLE	SIZE D	SCALE NTS
TITLE ROSEMOUNT 925 TYPE I DRAWING				
DR. J. ARMSTRONG	9/15/19	DRAWING NO.		00925-7000
APP'D N. KRENZ	9/15/19			
CAD MAINTAINED (PRO/E)				SHEET 1 OF 2

ROSEMOUNT MODEL 925 GAS DETECTION TRANSMITTER WITH 625ND SENSOR



B4 BRACKET MOUNTING



©2015 ROSEMOUNT, INC.
 ROSEMOUNT AND ALL OTHER
 TRADEMARKS ARE USED IN
 ACCORDANCE WITH
 ROSEMOUNT ENGINEERING
 SPECIFICATIONS.
 UNIT NOTES IN INCHES (mm).

REFERENCE ROSEMOUNT
 PRODUCT SPECIFICATIONS.
 CLICK HERE

3RD ANGLE

EMERSON

TITLE
**ROSEMOUNT 925
 TYPE I DRAWING**

DR. J. ARMSTRONG	9/15/19	DRAWING NO.	
APP'D N. KRENZ	9/15/19		00925-7000
CAD MAINTAINED (PRO/E)			SHEET 2 OF 2