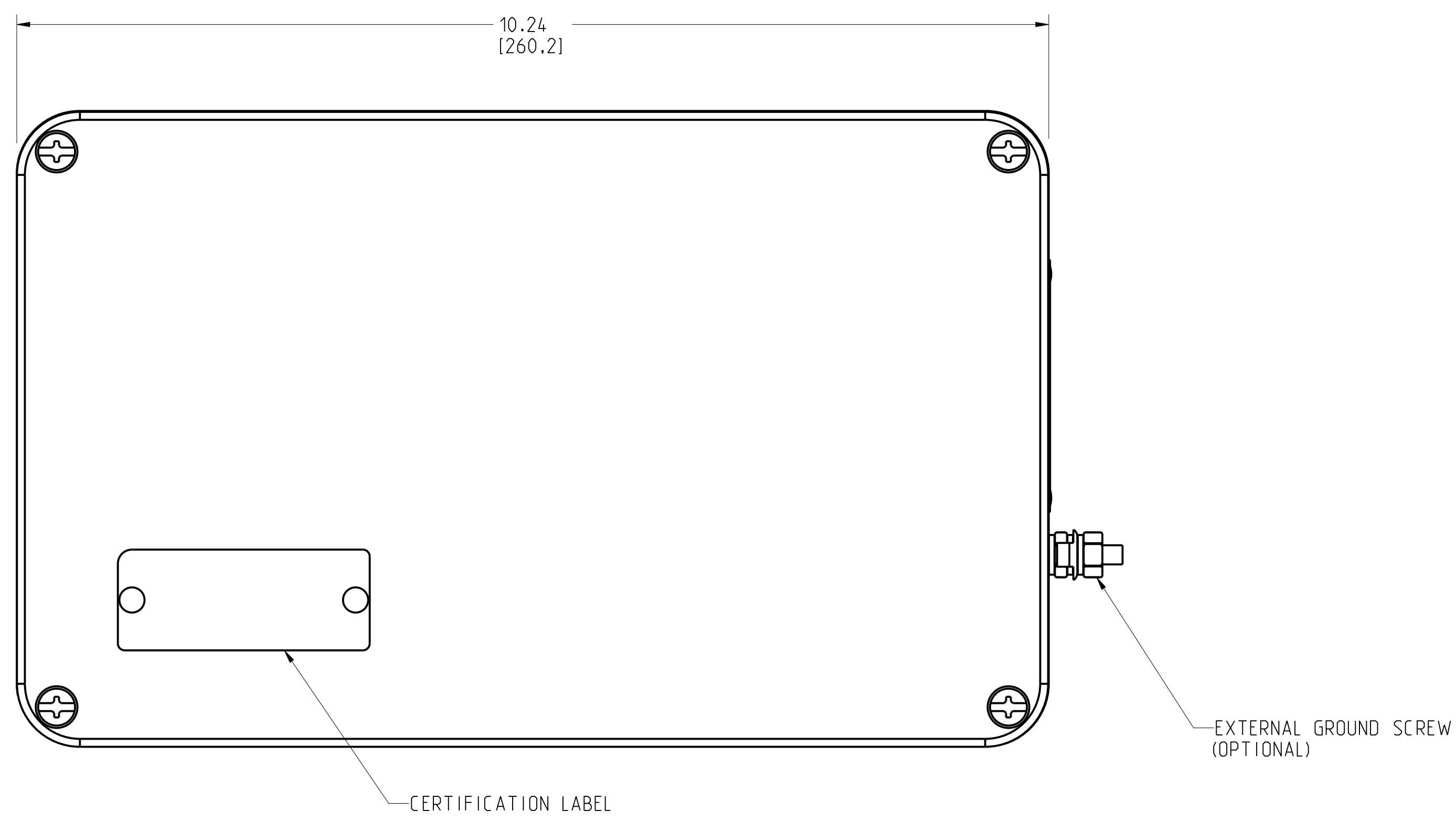


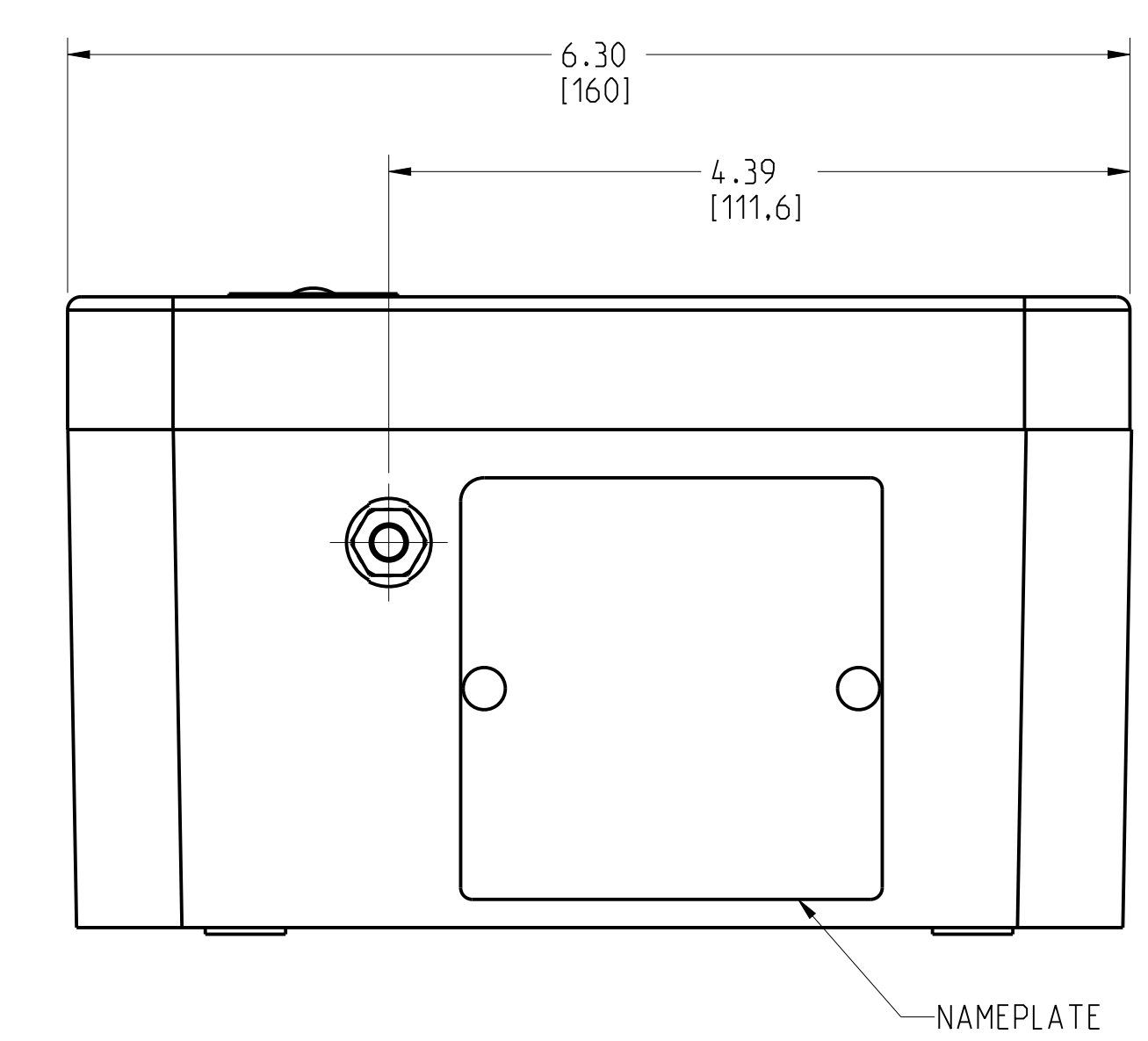
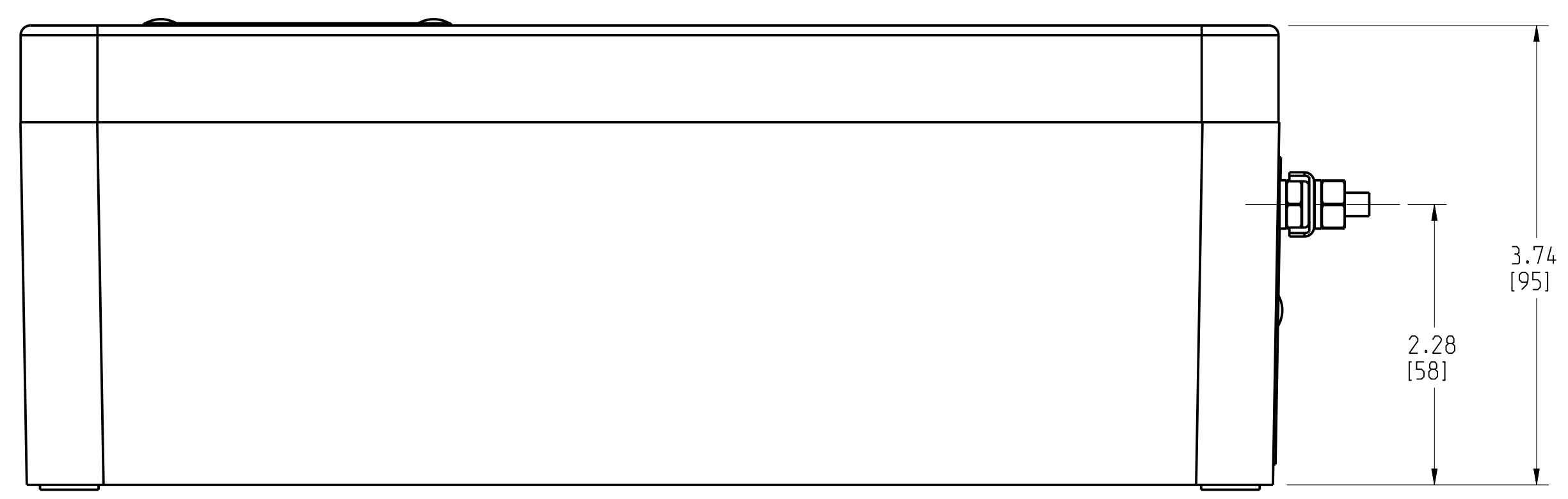
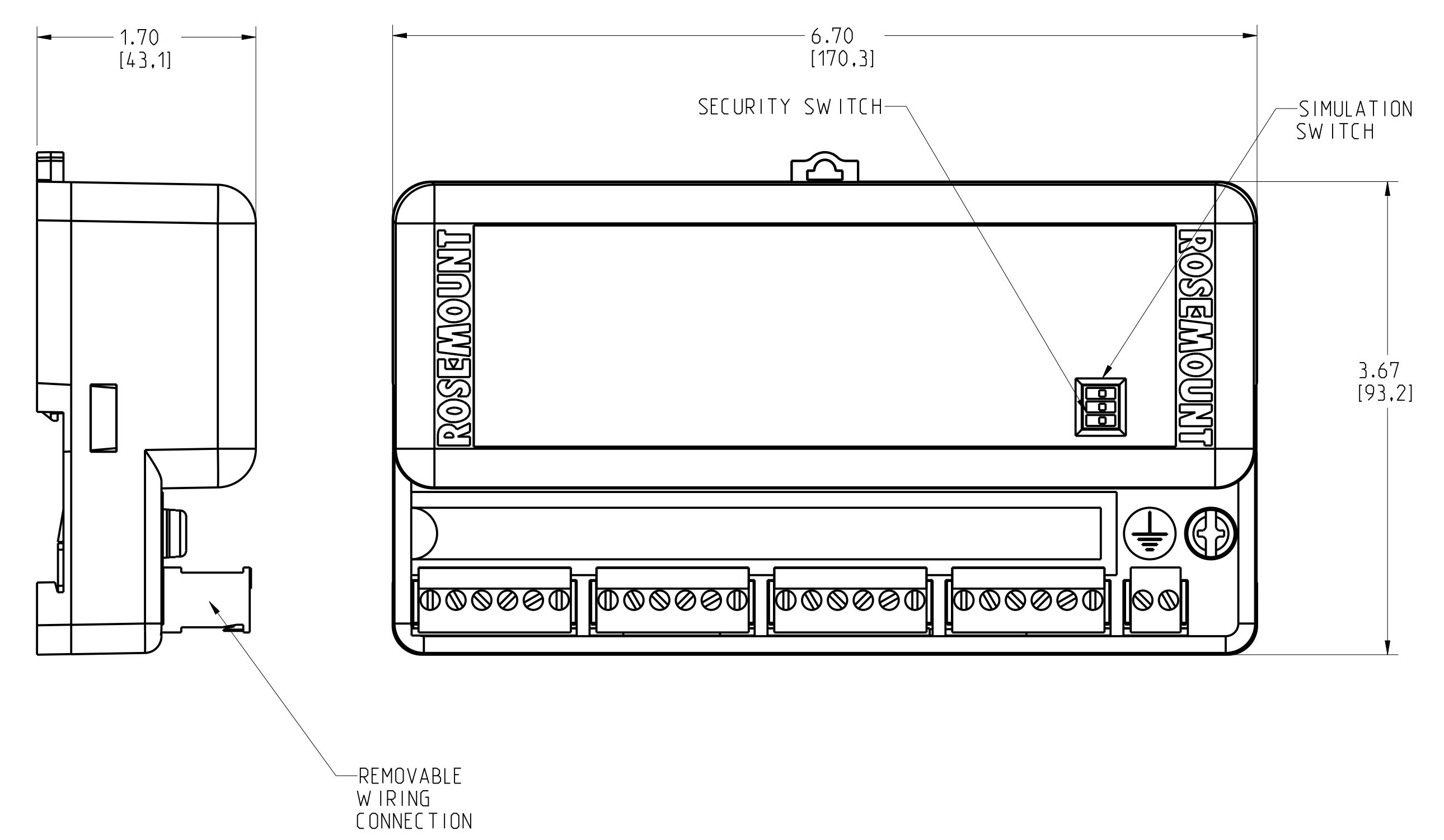
ROSEMOUNT 848T HIGH DENSITY TEMPERATURE FAMILY PLASTIC/ALUMINUM JUNCTION BOX WITH NO ENTRIES

REVISION TABLE			
REVISION	ECO NO.	APP'D	DATE
AG	RTC1077556	A. XIAD	6/17/21
DESCRIPTION			
ADD SHEET 11,12,13			

SHOWN WITH ENCLOSURE



SHOWN WITHOUT ENCLOSURE



1. ROSEMOUNT INC. CERTIFIES THESE DRAWINGS ARE IN ACCORDANCE WITH ROSEMOUNT ENGINEERING SPECIFICATIONS AND ACCURATELY REPRESENT THE EQUIPMENT FURNISHED.

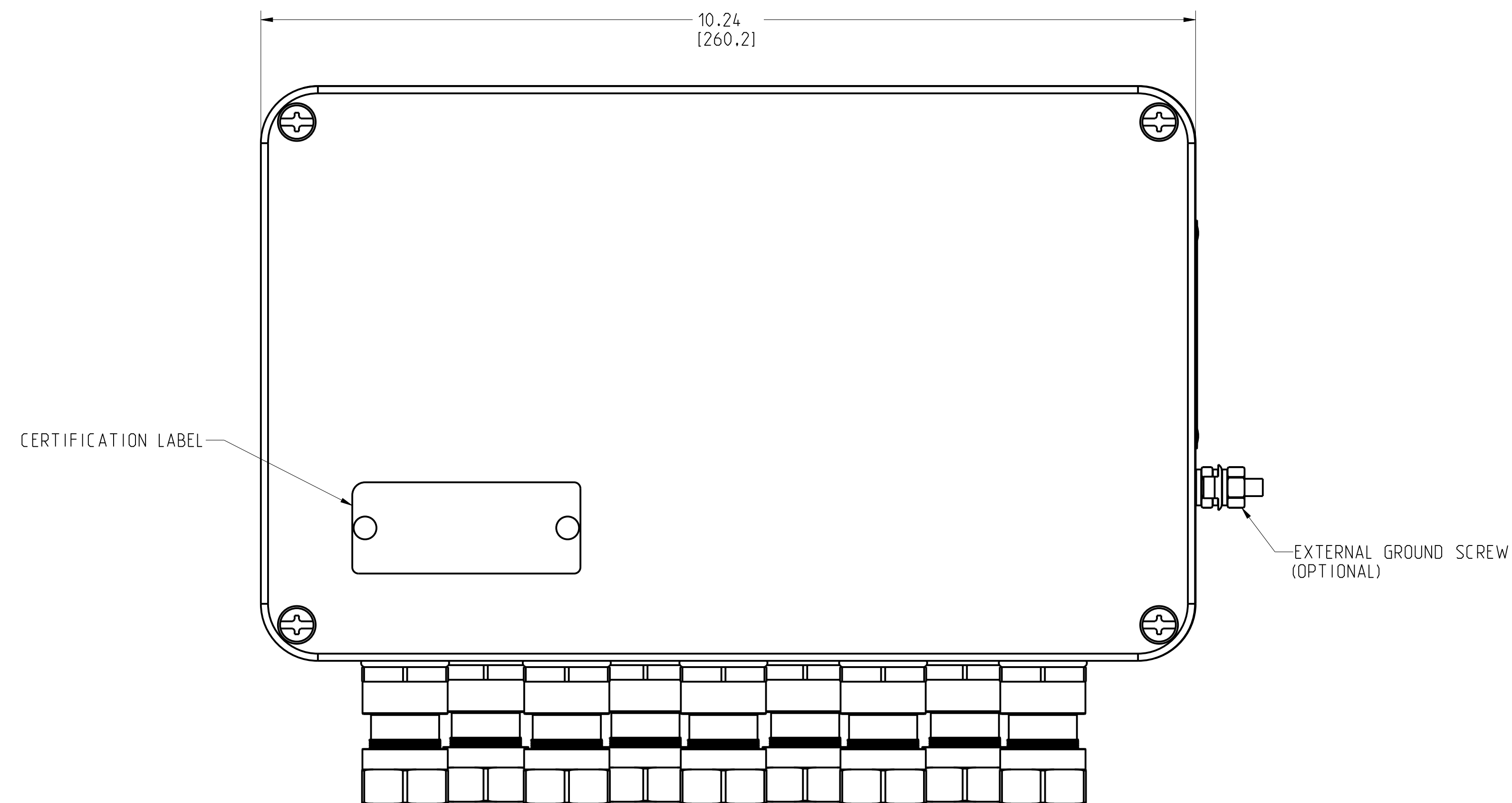
NOTES:

©2015 ROSEMOUNT INC. THESE DRAWINGS ARE MADE IN ACCORDANCE WITH ROSEMOUNT ENGINEERING SPECIFICATIONS. UNIT NOTES IN INCHES (mm).
REFERENCE ROSEMOUNT PRODUCT SPECIFICATIONS. CLICK HERE

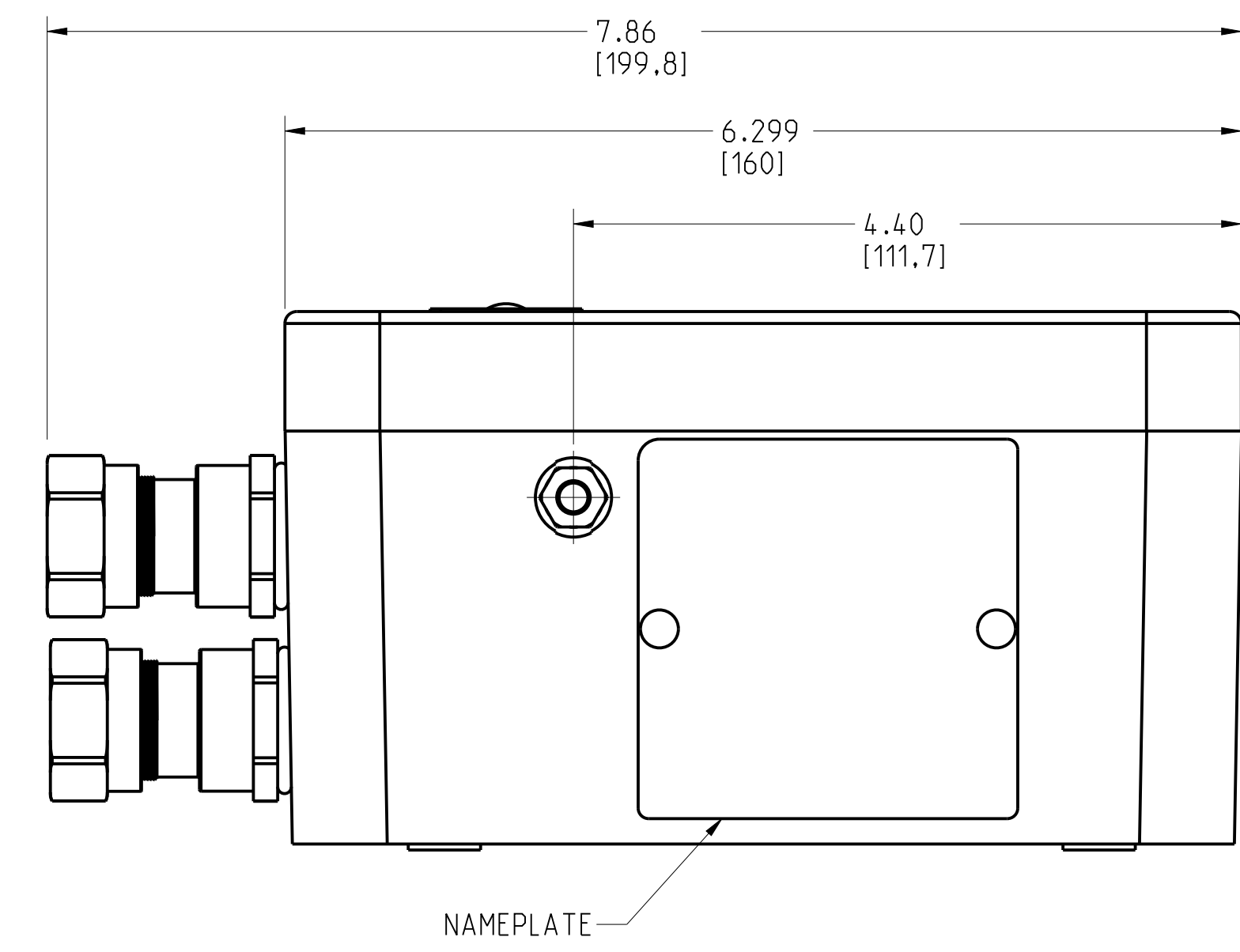
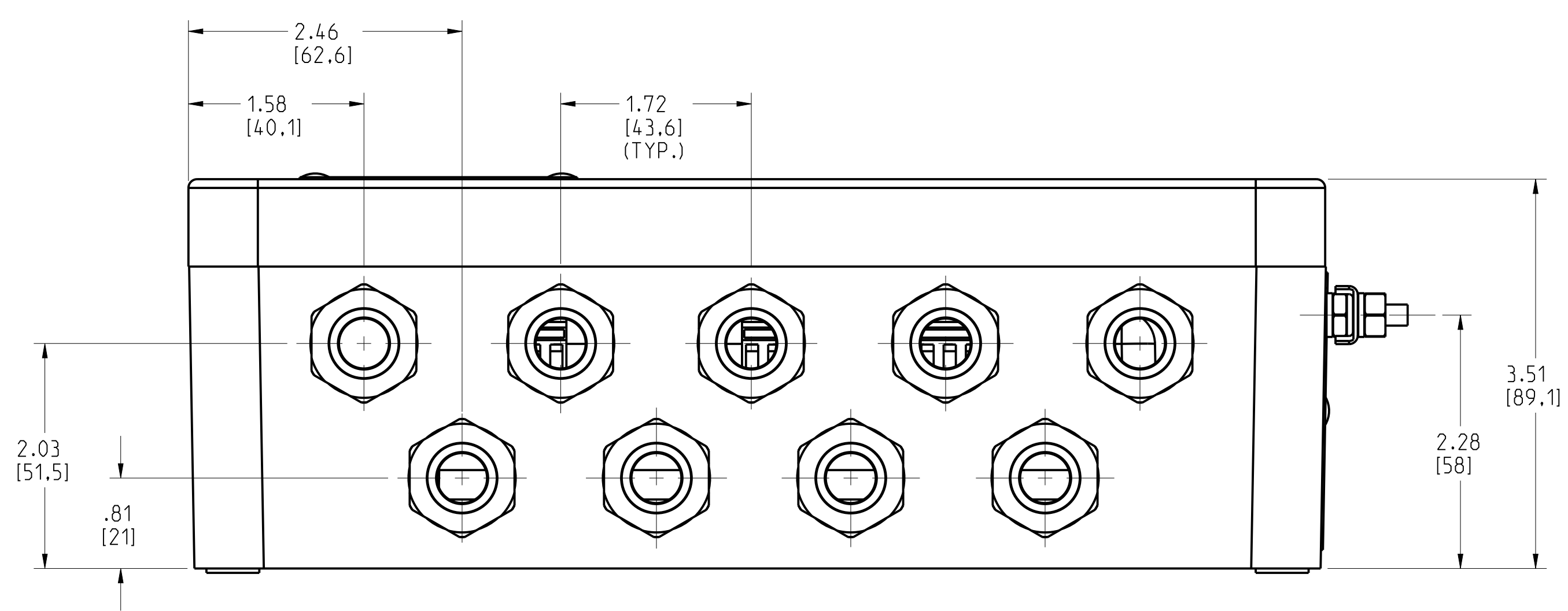
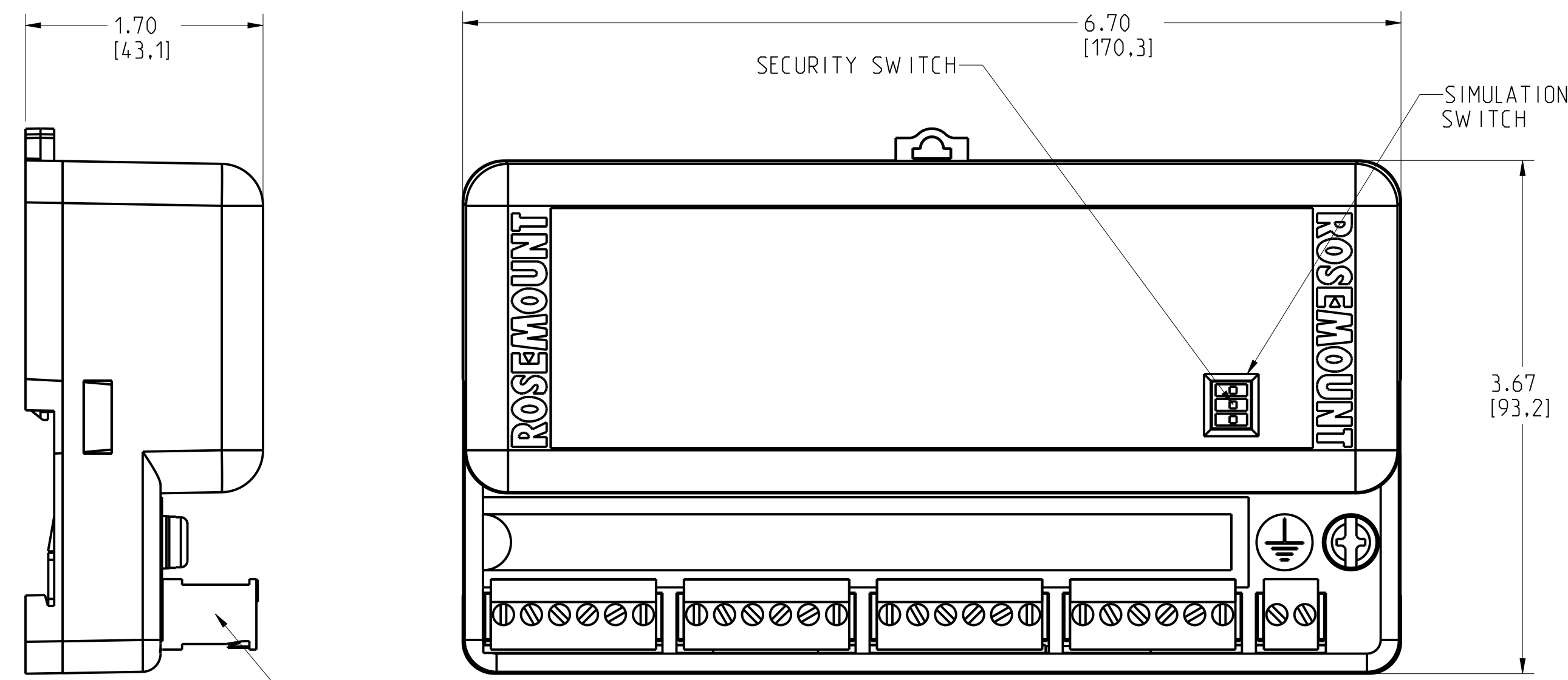
EMERSON		3RD ANGLE	SIZE D	SCALE NTS
TITLE ROSEMOUNT HIGH DENSITY TYPE I DRAWING				
DR. JLA	3/18/13	DRAWING NO.		00848-4010
APP'D JR	4/5/13			
CAD MAINTAINED (PRO/E)				SHEET 1 OF 13

ROSEMOUNT 848T HIGH DENSITY TEMPERATURE FAMILY PLASTIC BOX WITH CABLE GLANDS

SHOWN WITH ENCLOSURE



SHOWN WITHOUT ENCLOSURE



©2015 ROSEMOUNT, INC. ALL RIGHTS RESERVED. THIS DRAWING IS THE PROPERTY OF ROSEMOUNT ENGINEERING SPECIFICATIONS. UNIT NOTES IN INCHES (mm).

EMERSON

TITLE ROSEMOUNT HIGH DENSITY TYPE I DRAWING

DR. JLA 3/18/13 DRAWING NO. 00848-4010

APP'D JR 4/5/13

CAD MAINTAINED (PRO/E) SHEET 2 OF 13

3RD ANGLE

SIZE D

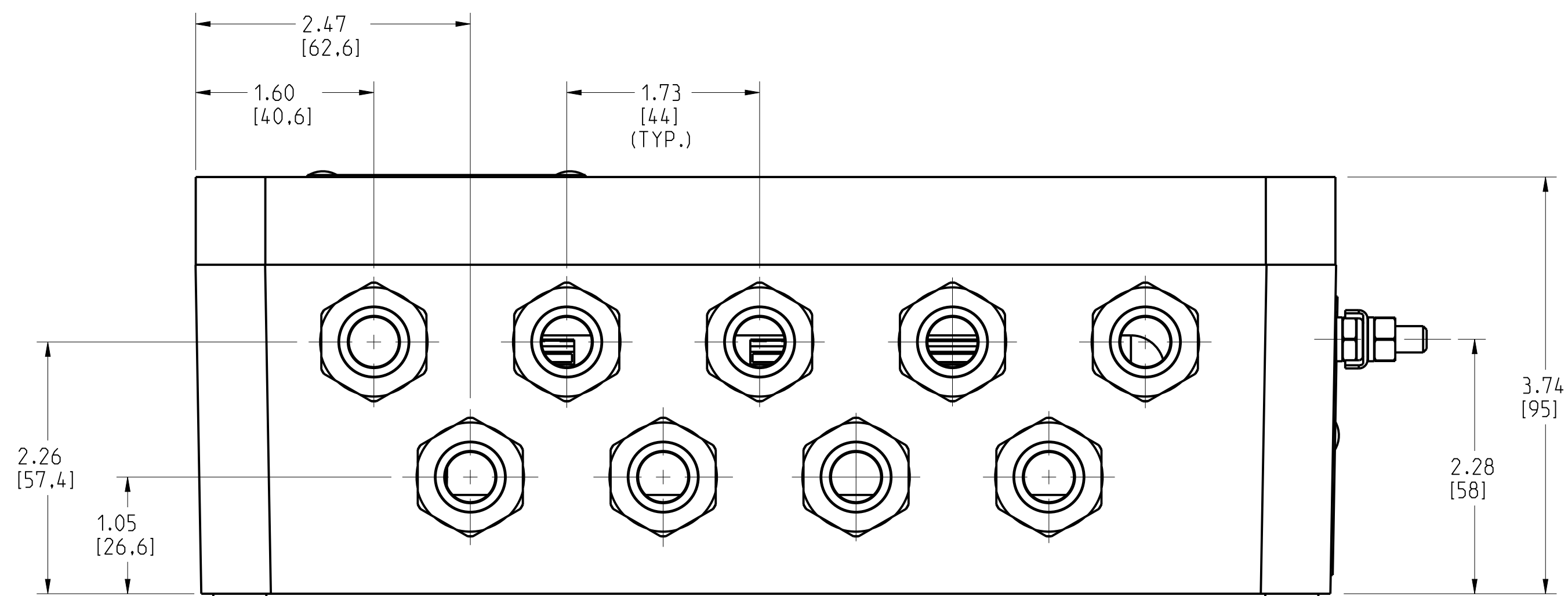
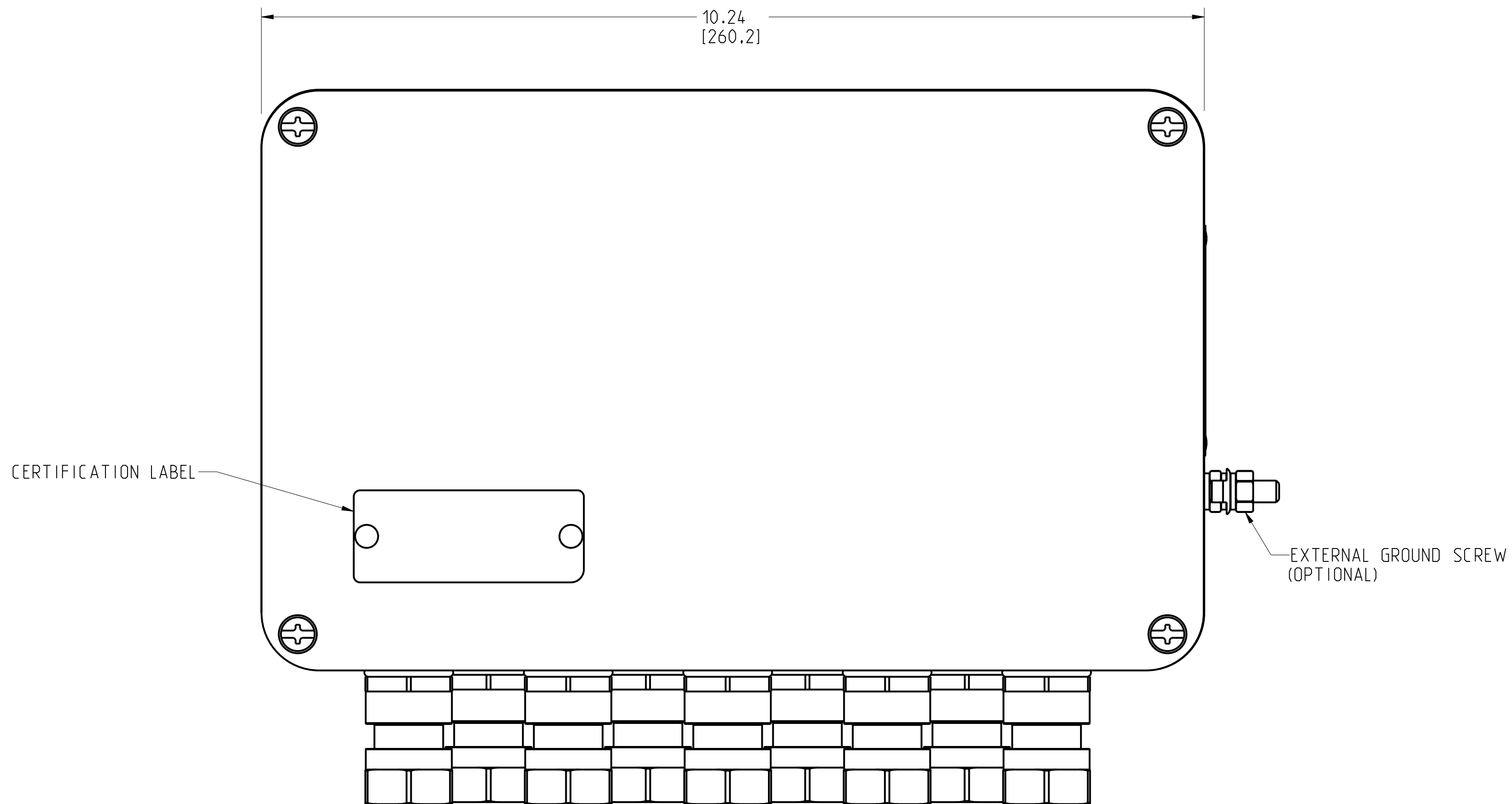
SCALE NTS

CLICK HERE

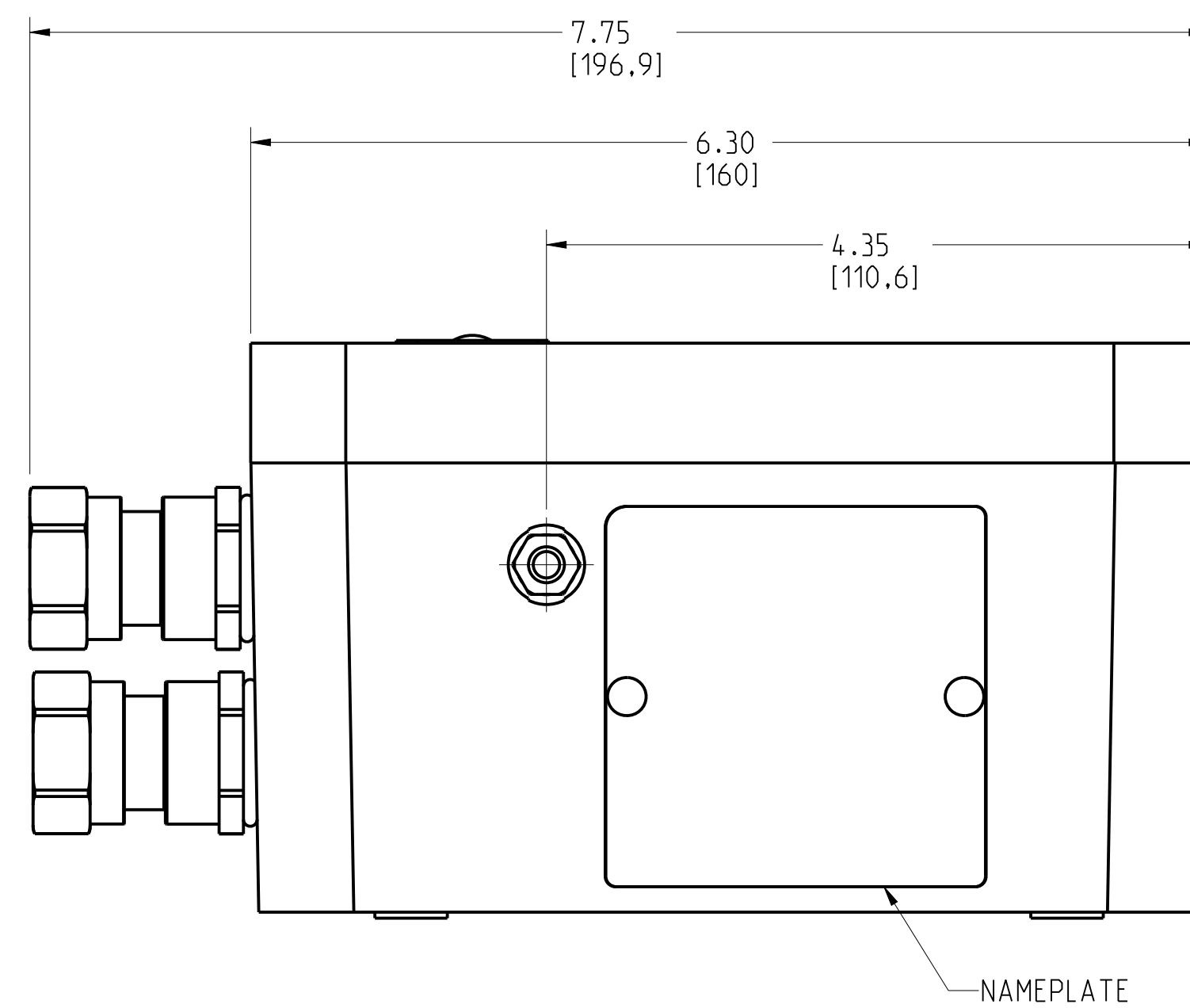
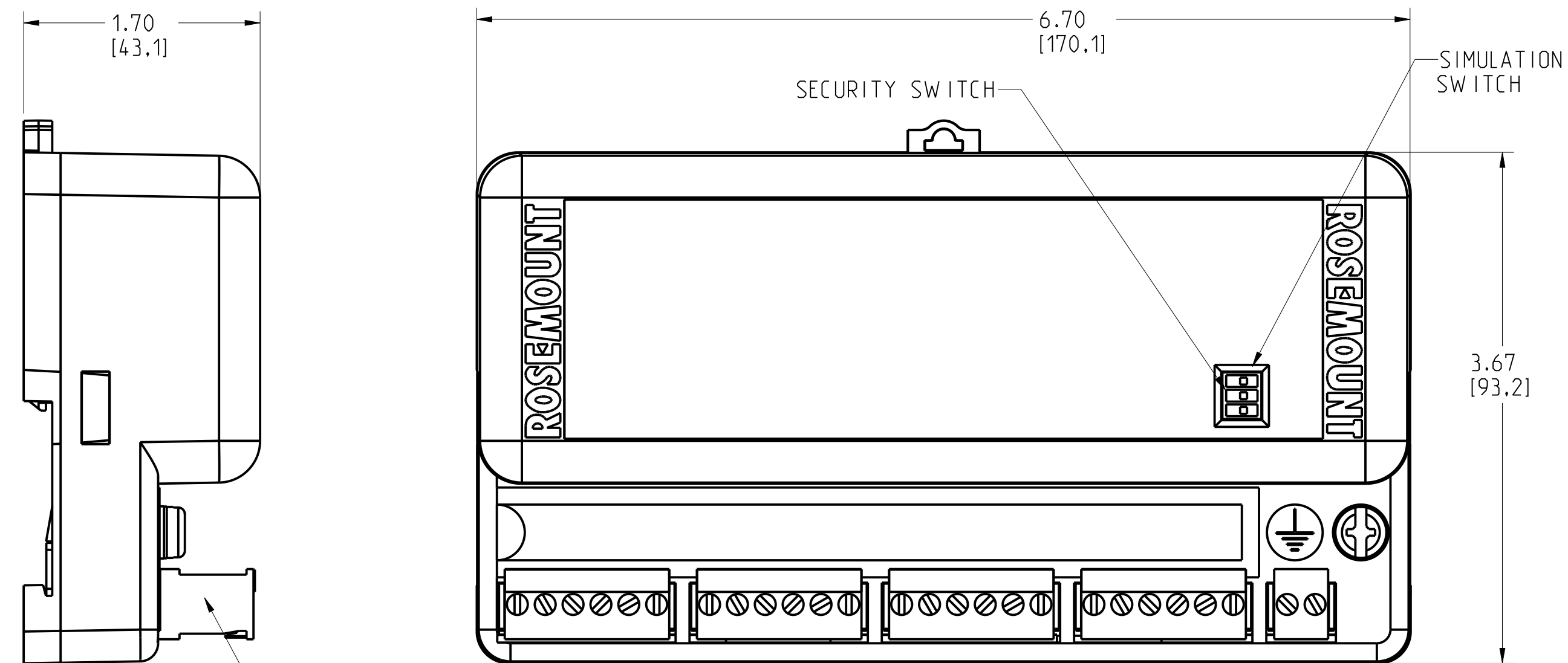
REFERENCE ROSEMOUNT FOR PRODUCT SPECIFICATIONS.

ROSEMOUNT 848T HIGH DENSITY TEMPERATURE FAMILY ALUMINUM BOX WITH CABLE GLANDS

SHOWN WITH ENCLOSURE



SHOWN WITHOUT ENCLOSURE



©2015 ROSEMOUNT, INC. ALL RIGHTS RESERVED. THESE DRAWINGS ARE THE PROPERTY OF ROSEMOUNT ENGINEERING SPECIFICATIONS. UNIT NOTES IN INCHES (mm).

REFERENCE ROSEMOUNT PRODUCT SPECIFICATIONS. CLICK HERE

EMERSON

TITLE ROSEMOUNT HIGH DENSITY TYPE I DRAWING

DR. JLA 3/18/13 DRAWING NO. 00848-4010

APP'D JR 4/5/13

CAD MAINTAINED (PRO/E) SHEET 3 OF 13

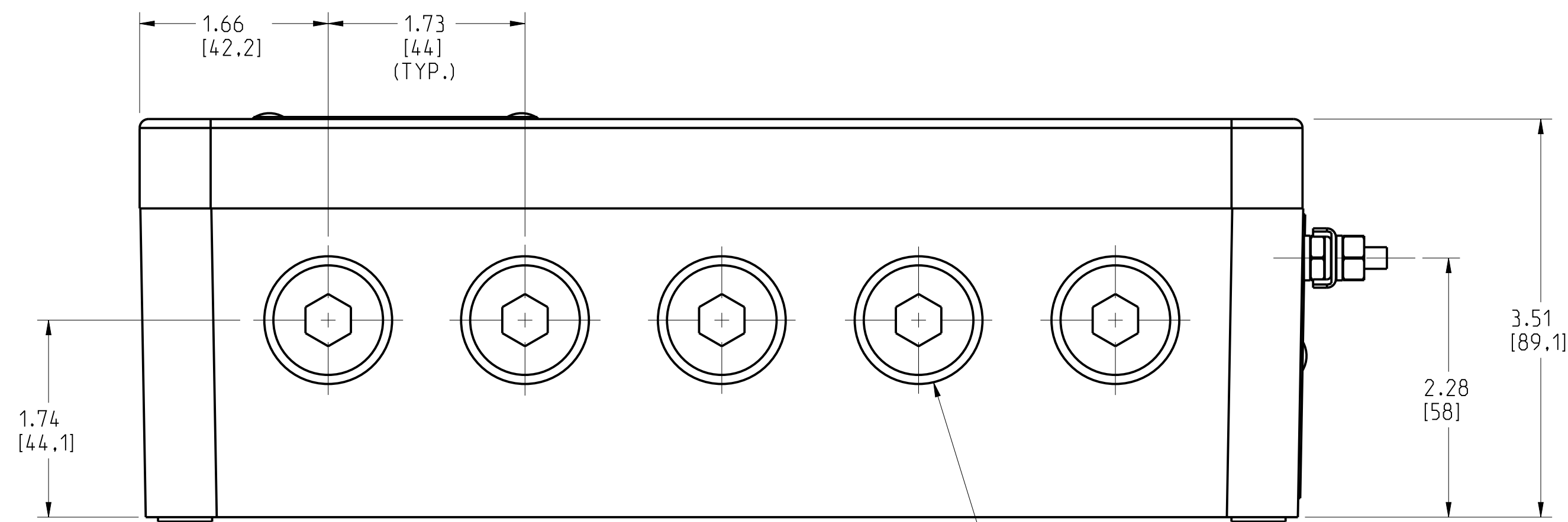
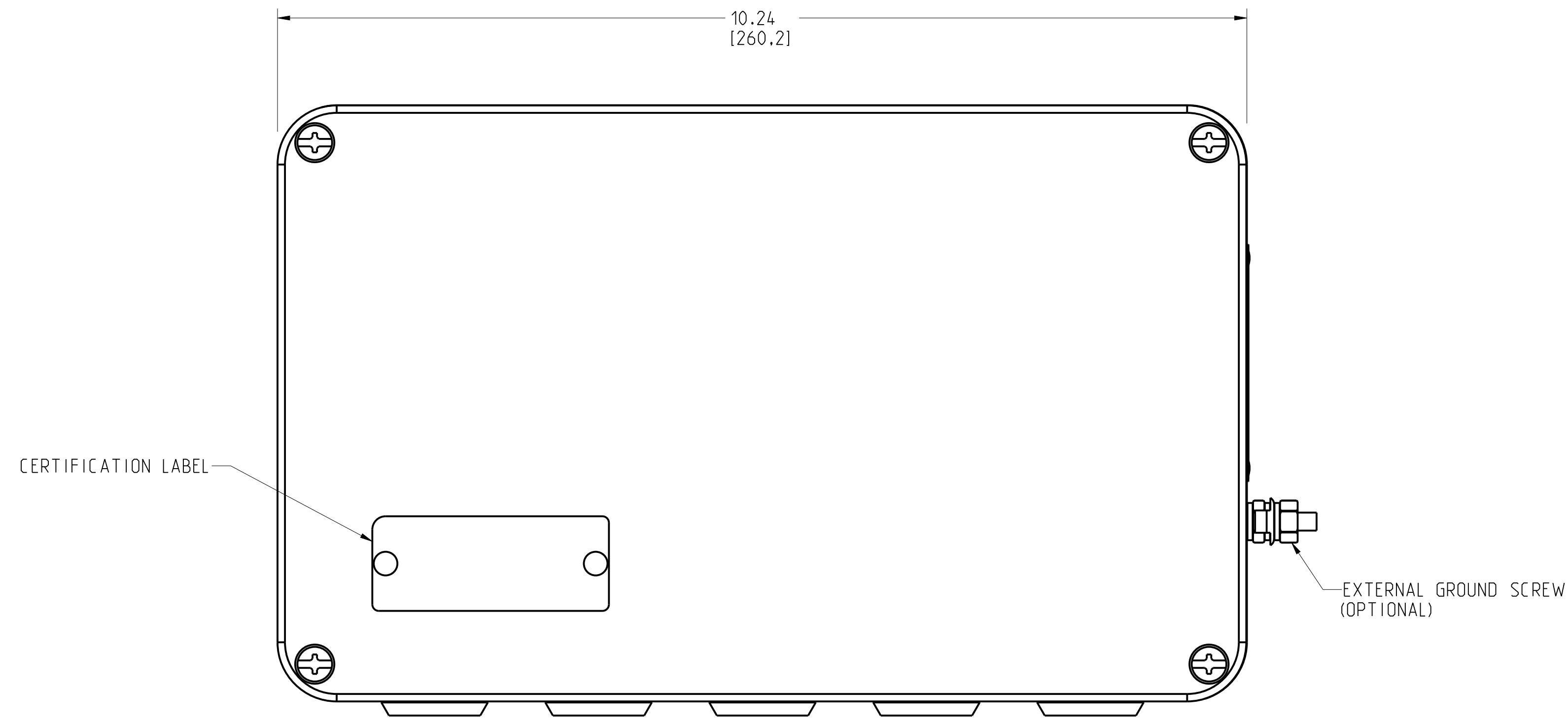
3RD ANGLE

SIZE D

SCALE NTS

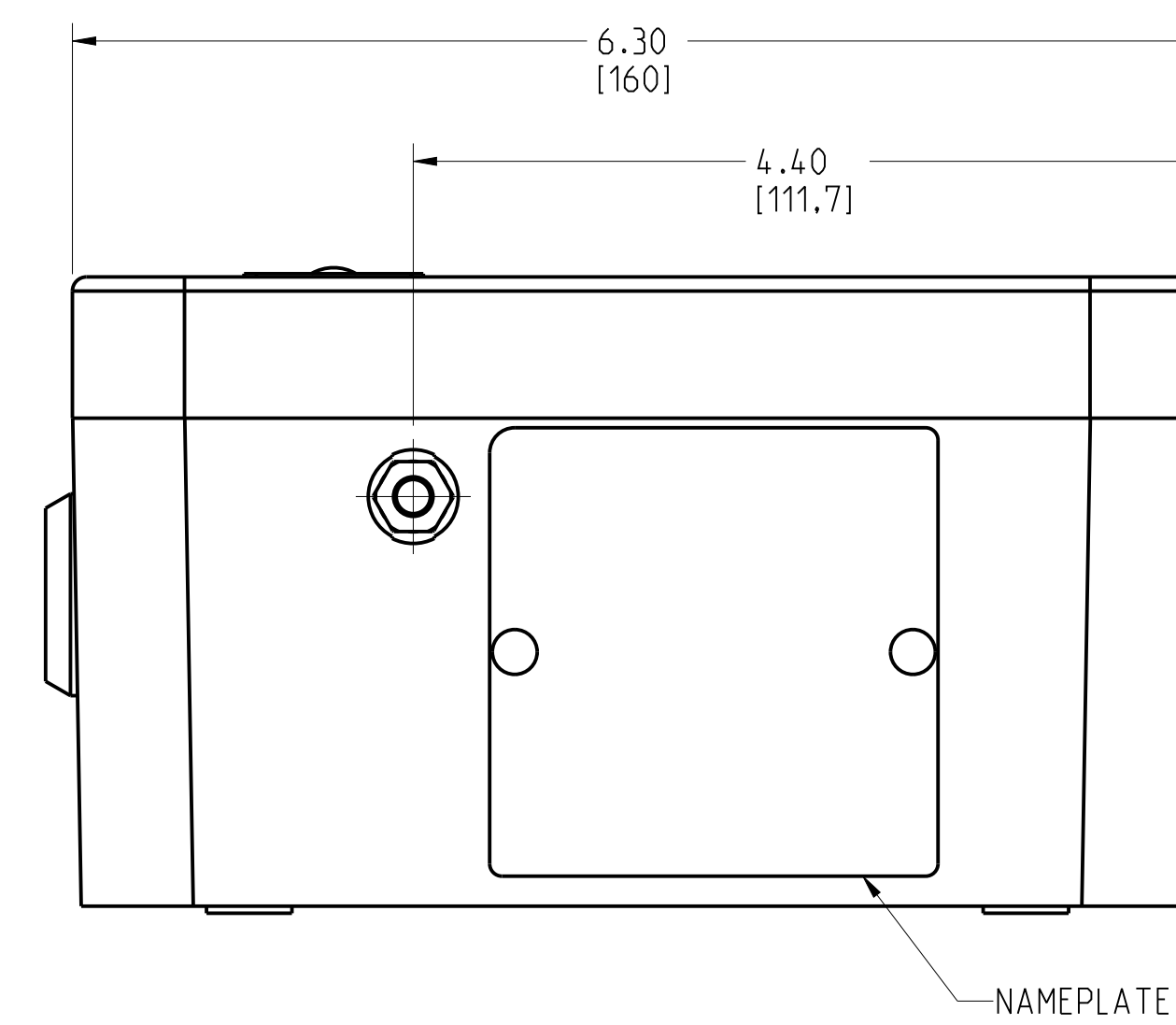
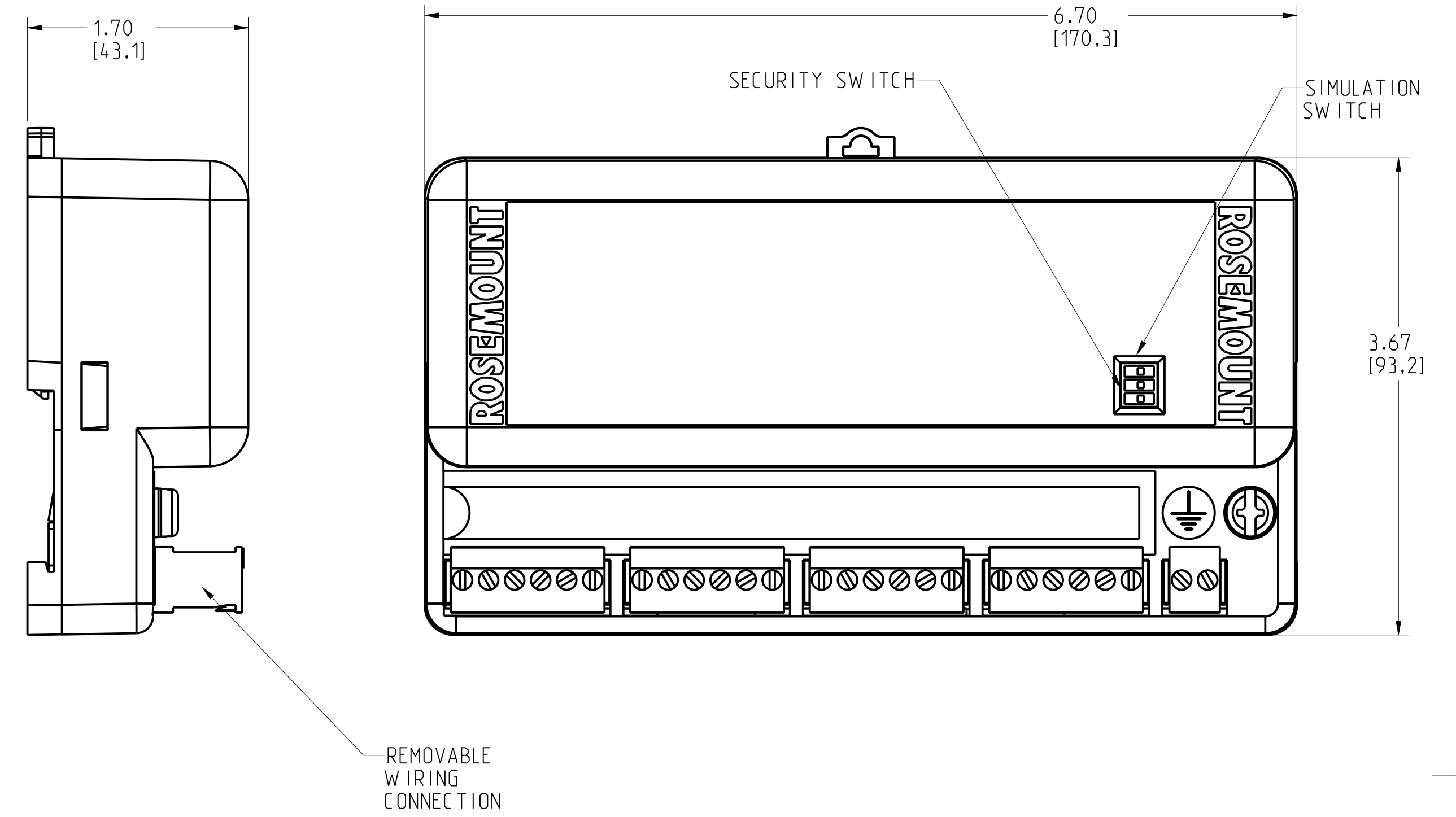
ROSEMOUNT 848T HIGH DENSITY TEMPERATURE FAMILY PLASTIC/ALUMINUM JUNCTION BOX WITH PLUGGED HOLES

SHOWN WITH ENCLOSURE



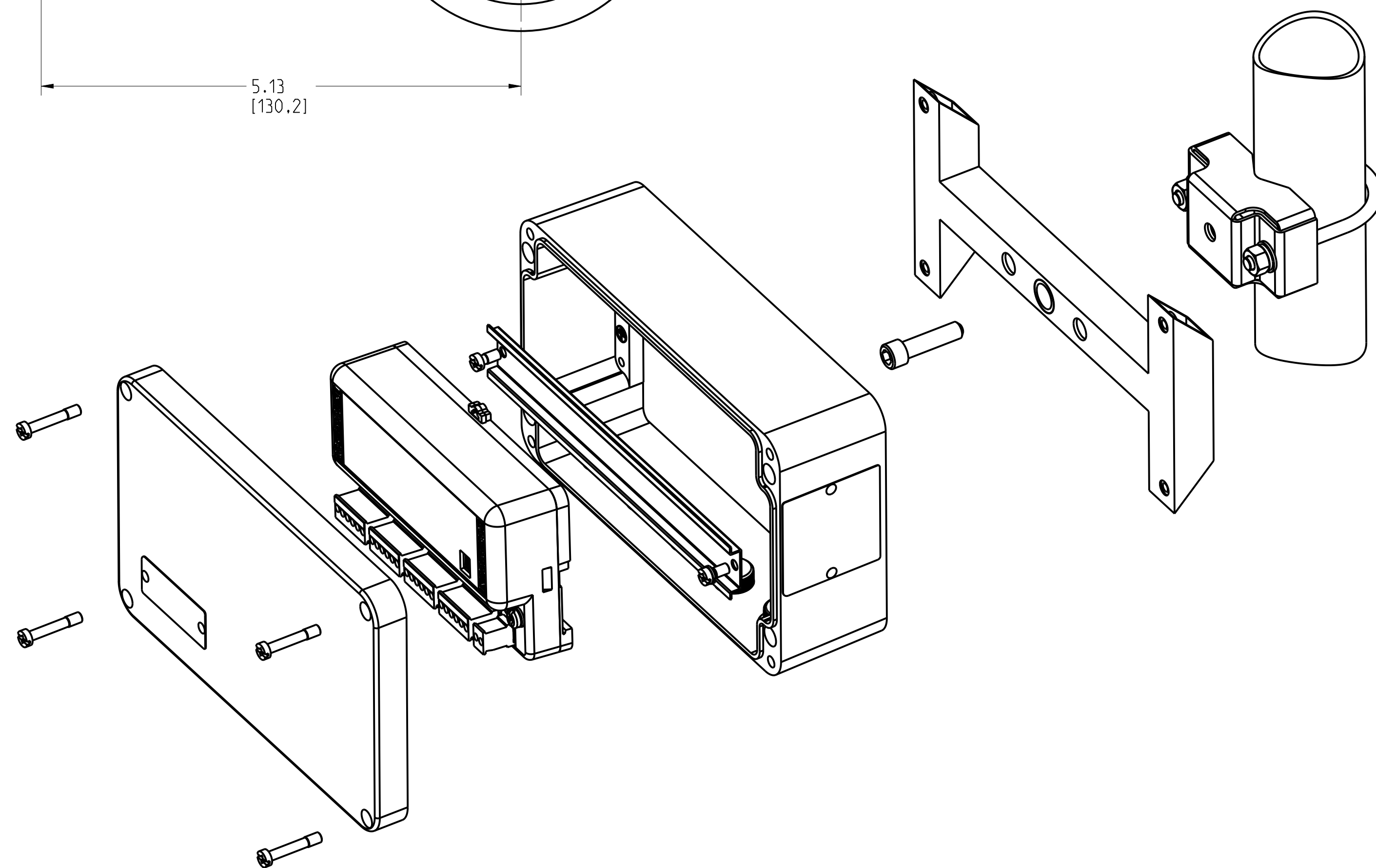
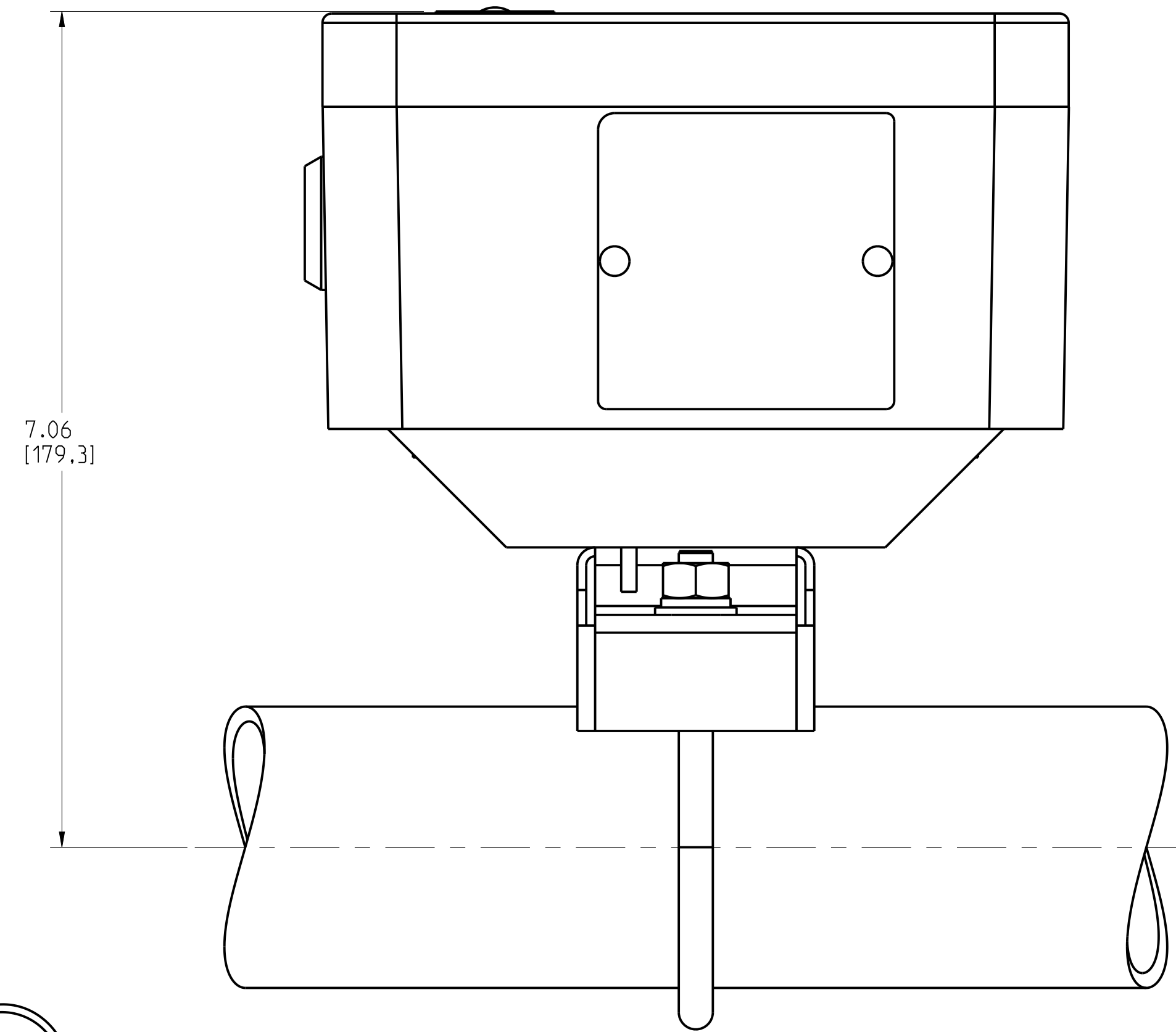
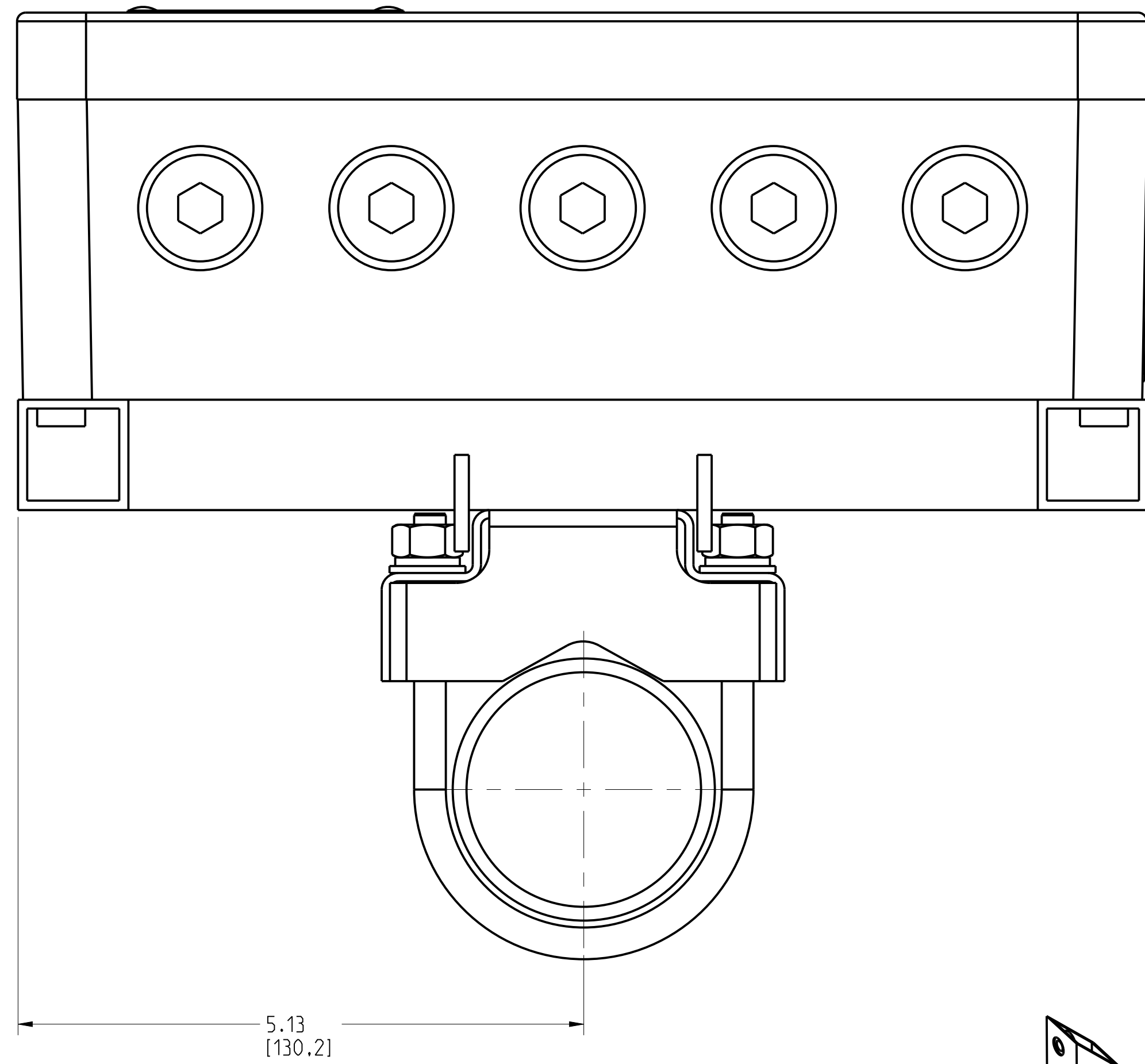
FIVE PLUGGED 0.86-IN. DIAMETER HOLES SUITABLE FOR INSTALLING 1/2-IN. NPT FITTINGS

SHOWN WITHOUT ENCLOSURE



©2015 ROSEMOUNT, INC. ROSEMOUNT, INC. DISCLAIMS ALL WARRANTIES, EXPRESS OR IMPLIED, INCLUDING WITHOUT LIMITATION, ANY WARRANTY OF MERCHANTABILITY OR FITNESS FOR A PARTICULAR PURPOSE. THIS DRAWING IS PROVIDED AS IS. ROSEMOUNT ENGINEERING SHALL NOT BE RESPONSIBLE FOR ANY DAMAGES, INCLUDING CONSEQUENTIAL DAMAGES, ARISING FROM THE USE OF THIS DRAWING.	DR. JLA 3/18/13 APP'D JR 4/5/13	DRAWING NO. 00848-4010	3RD ANGLE 	SIZE D	SCALE NTS
	EMERSON				
	TITLE ROSEMOUNT HIGH DENSITY TYPE I DRAWING				
	CAD MAINTAINED: (PRO/E) SHEET 4 OF 13				

ROSEMOUNT 848T HIGH DENSITY TEMPERATURE FAMILY
 PLASTIC/ALUMINUM BOX MOUNTING CONFIGURATION



©2015 ROSEMOUNT, INC. ALL RIGHTS RESERVED. THIS DRAWING IS THE PROPERTY OF ROSEMOUNT, INC. AND IS TO BE USED IN ACCORDANCE WITH THE ROSEMOUNT ENGINEERING SPECIFICATIONS. UNIT NOTES IN INCHES (mm).

REFERENCE ROSEMOUNT PRODUCT SPECIFICATIONS FOR PRODUCT SPECIFICATIONS. CLICK HERE

3RD ANGLE

SIZE D SCALE NTS

EMERSON

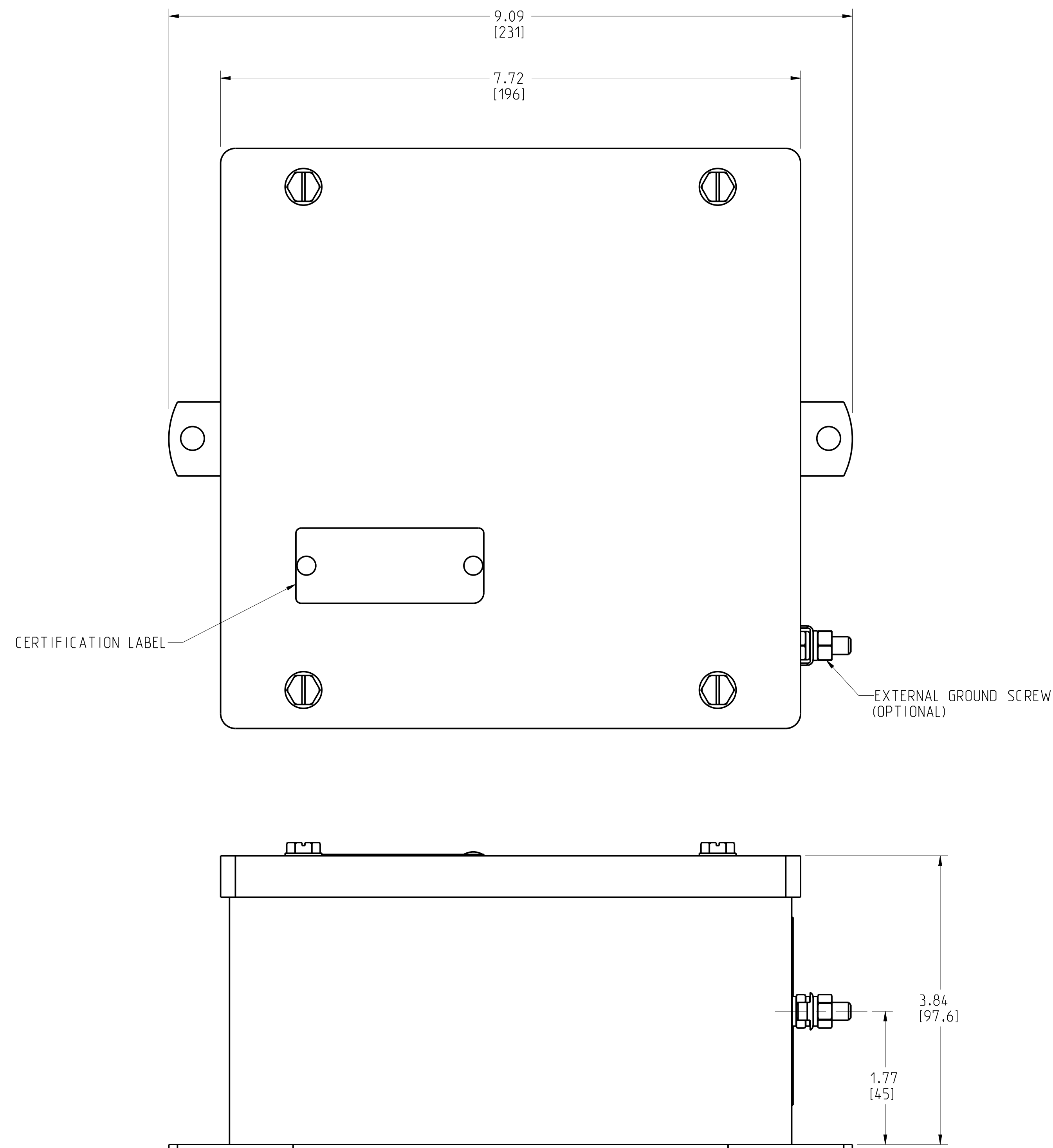
TITLE ROSEMOUNT HIGH DENSITY TYPE I DRAWING

DR.	JLA	3/18/13	DRAWING NO.	00848-4010
APP'D	JR	4/5/13		

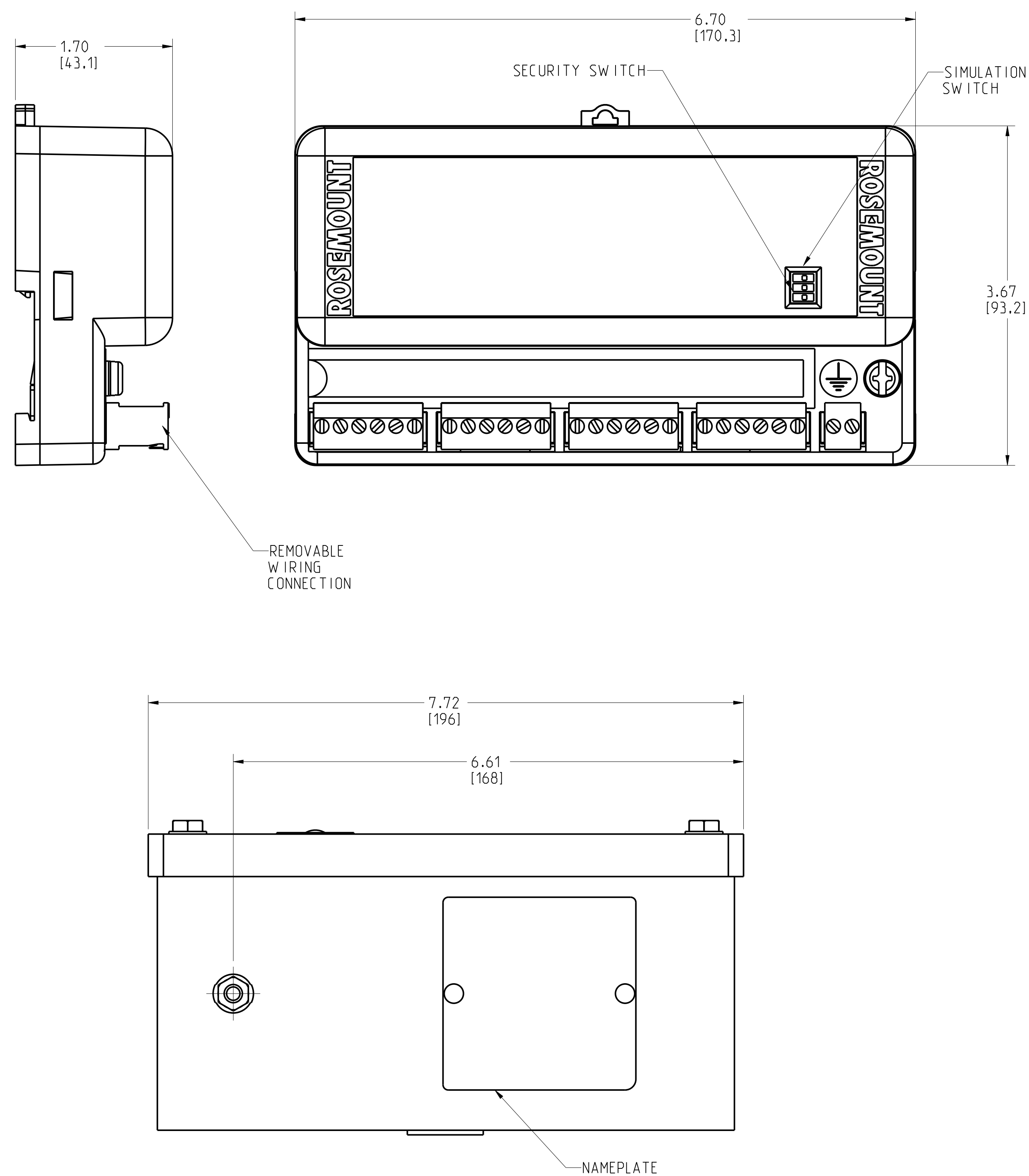
CAD MAINTAINED: (PRO/EI) SHEET 5 OF 13

ROSEMOUNT 848T HIGH DENSITY TEMPERATURE FAMILY SST JUNCTION BOX WITH NO ENTRIES

SHOWN WITH ENCLOSURE



SHOWN WITHOUT ENCLOSURE



©2015 ROSEMOUNT, INC. ALL RIGHTS RESERVED. THESE DRAWINGS ARE THE PROPERTY OF ROSEMOUNT ENGINEERING SPECIFICATIONS. UNIT NOTES IN INCHES (mm).

REFERENCE ROSEMOUNT PRODUCT SPECIFICATIONS. CLICK HERE

EMERSON

TITLE ROSEMOUNT HIGH DENSITY TYPE I DRAWING

DR. JLA 3/18/13 DRAWING NO. 00848-4010

APP'D JR 4/5/13

CAD MAINTAINED (PRO/EI) SHEET 6 OF 13

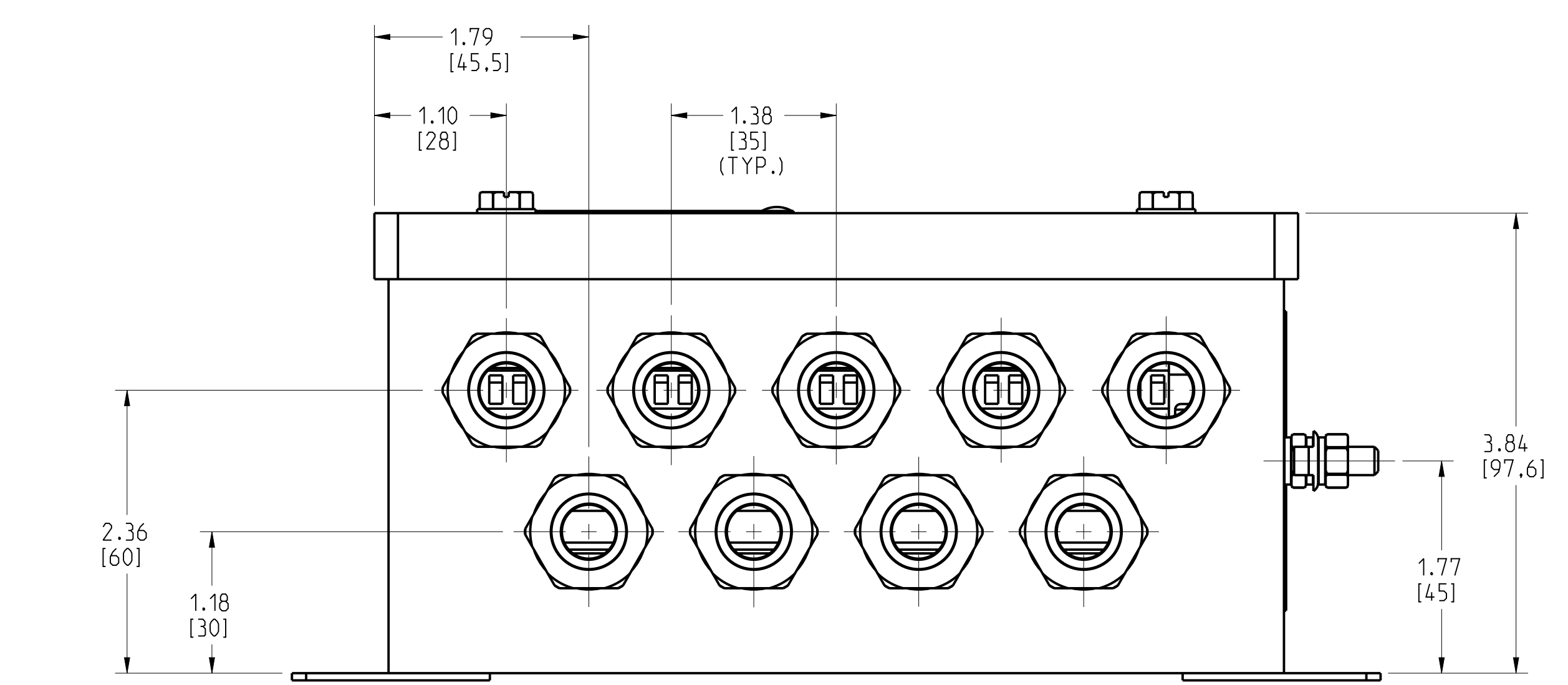
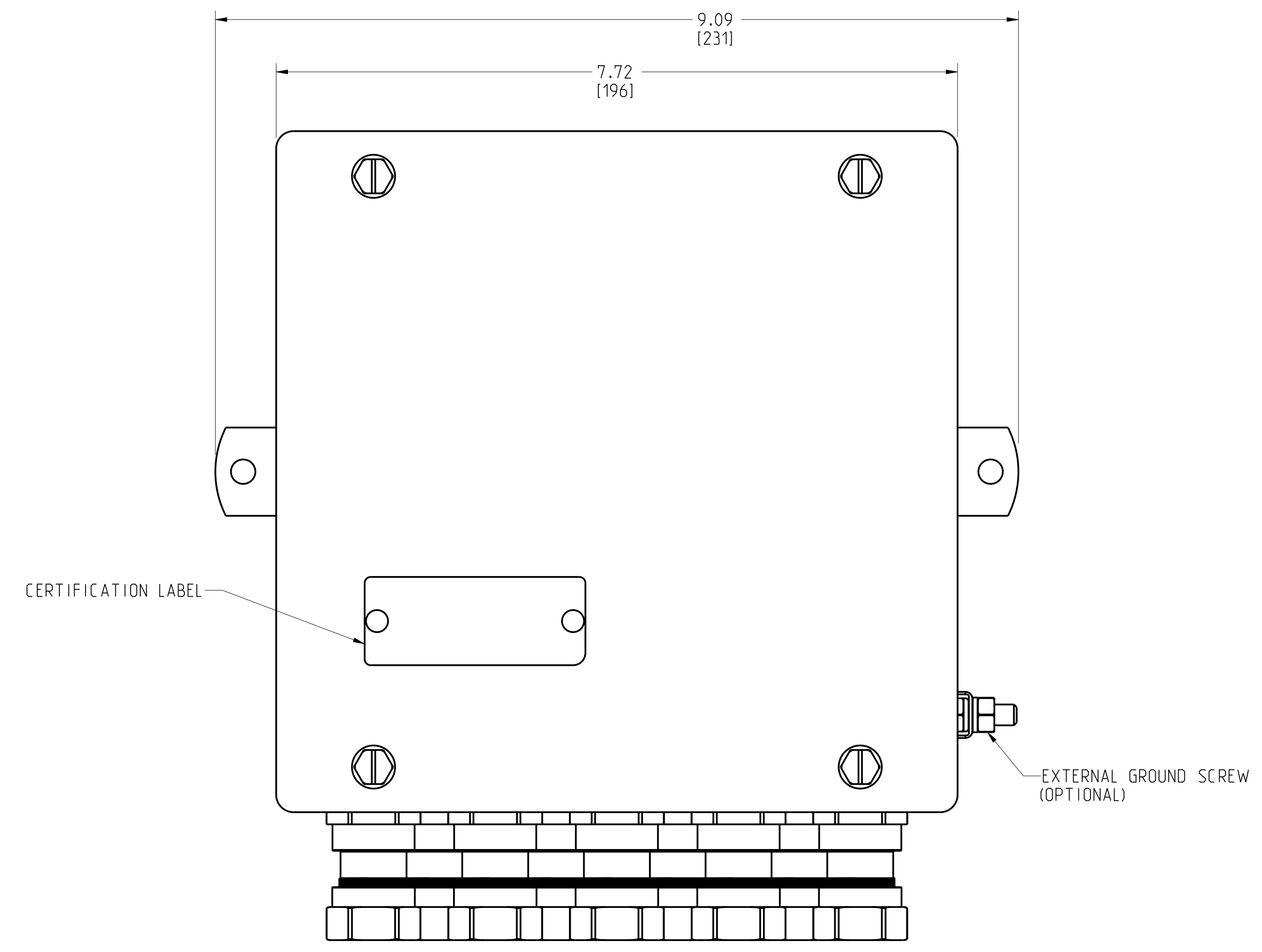
3RD ANGLE

SIZE D

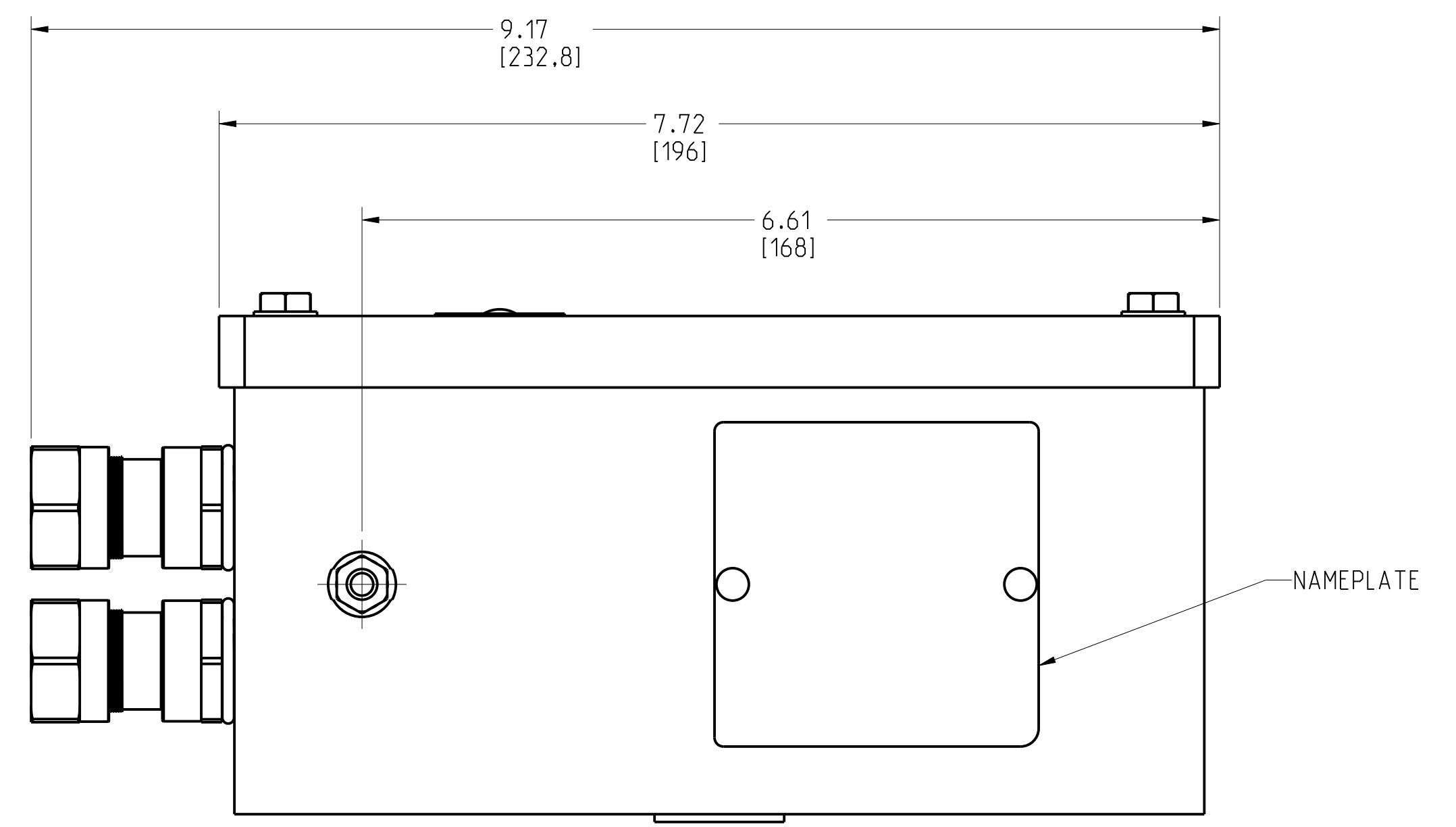
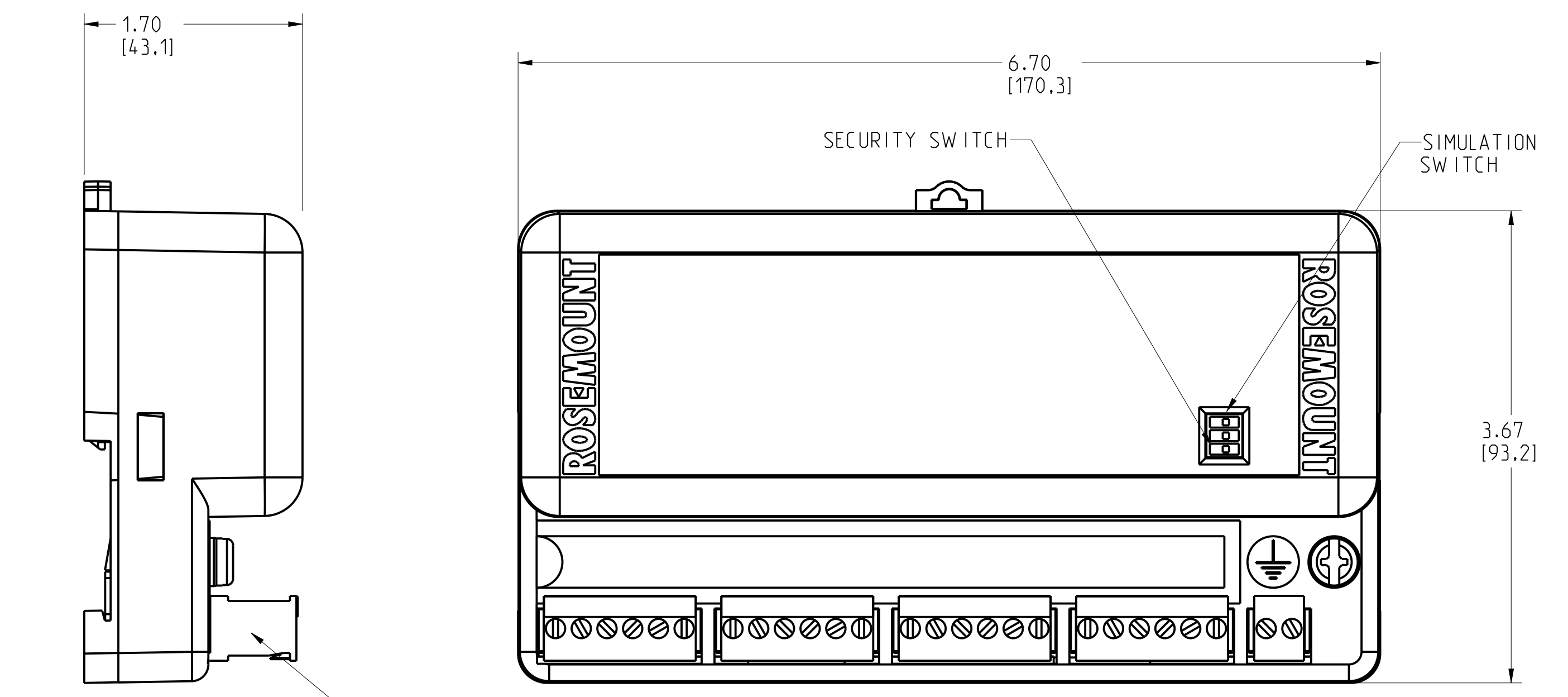
SCALE NTS

ROSEMOUNT 848T HIGH DENSITY TEMPERATURE FAMILY SST JUNCTION BOX WITH CABLE GLANDS

SHOWN WITH ENCLOSURE



SHOWN WITHOUT ENCLOSURE



©2015 ROSEMOUNT, INC. ALL RIGHTS RESERVED. THIS DRAWING IS THE PROPERTY OF ROSEMOUNT, INC. AND IS TO BE USED ONLY FOR THE PROJECT AND SPECIFICATIONS FOR WHICH IT WAS PREPARED. ANY REUSE OR MODIFICATION OF THIS DRAWING WITHOUT THE WRITTEN PERMISSION OF ROSEMOUNT, INC. IS STRICTLY PROHIBITED. UNITS: DIMENSIONS IN INCHES (MILLIMETERS).

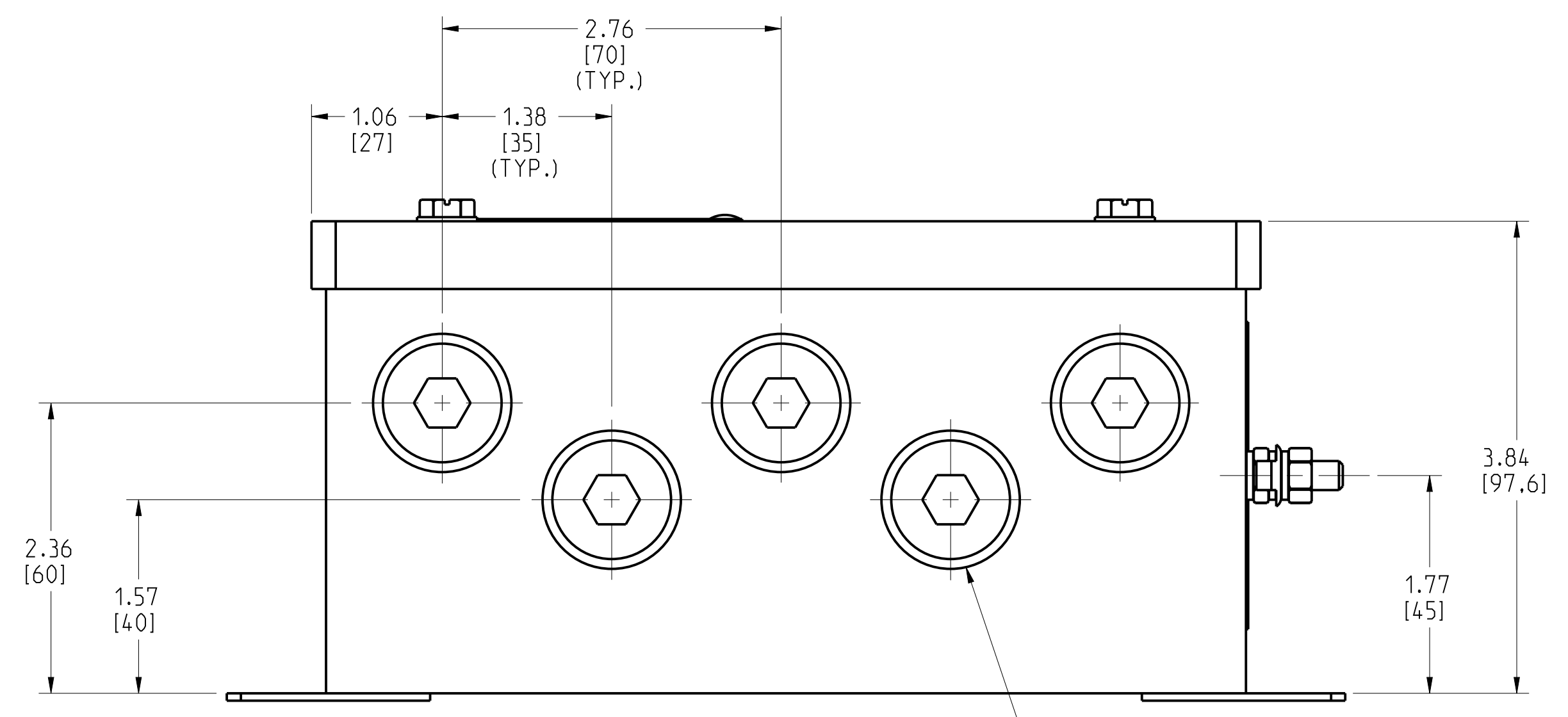
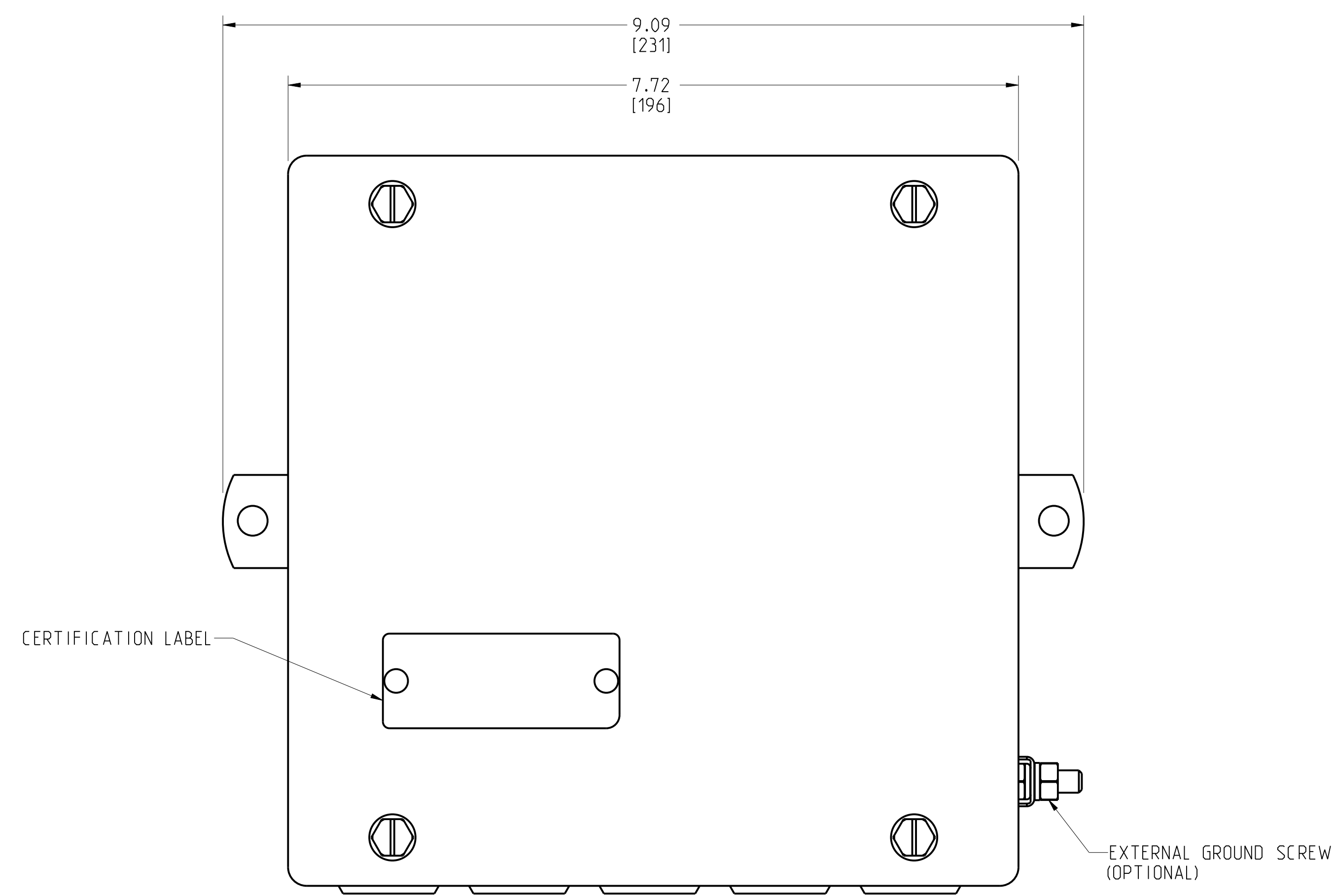
EMERSON
ROSEMOUNT HIGH DENSITY
TYPE I DRAWING

DR.	JLA	3/18/13	DRAWING NO.	00848-4010
APP'D	JR	4/5/13		

CAD MAINTAINED: (PRO/EI) SHEET 7 OF 13

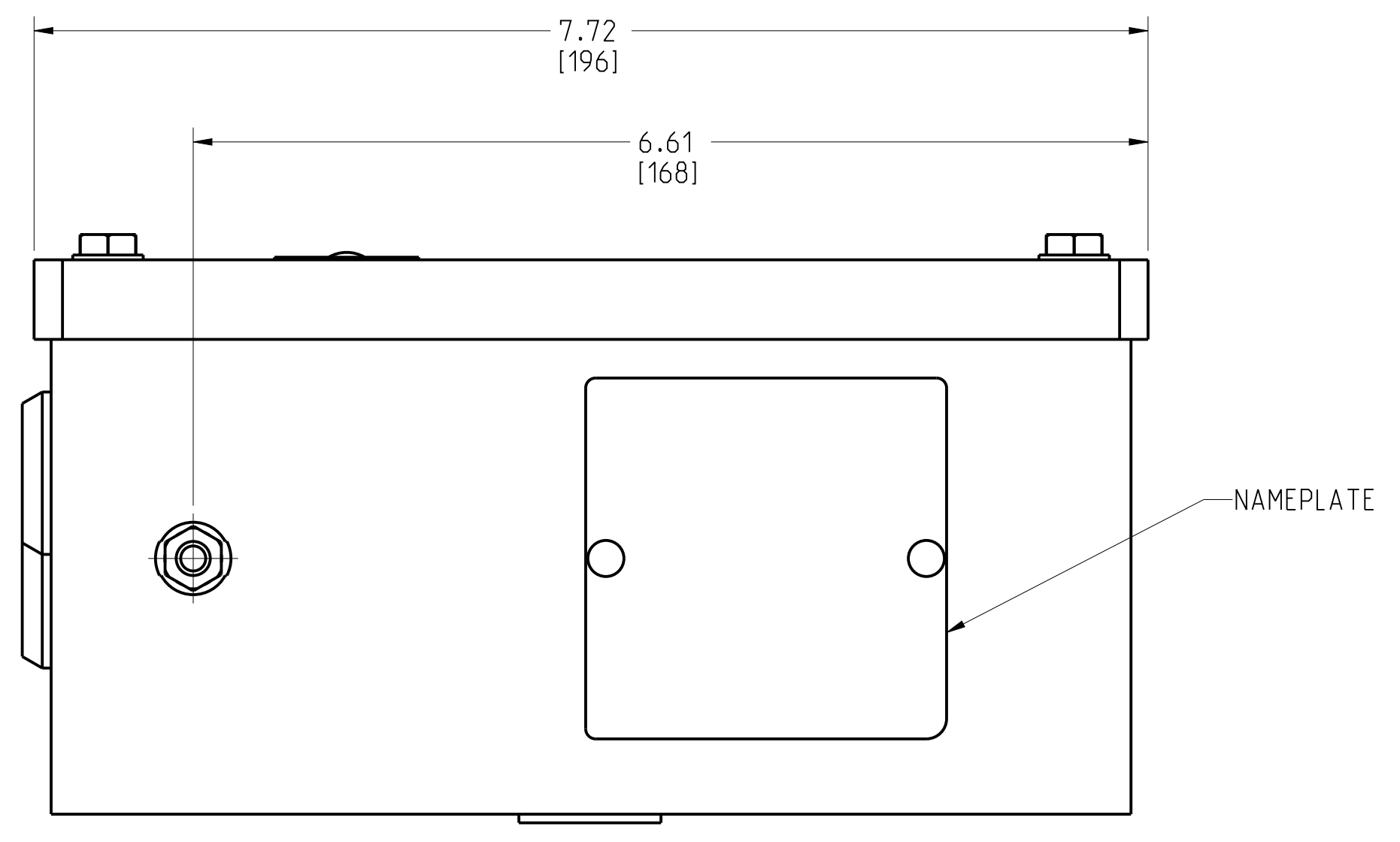
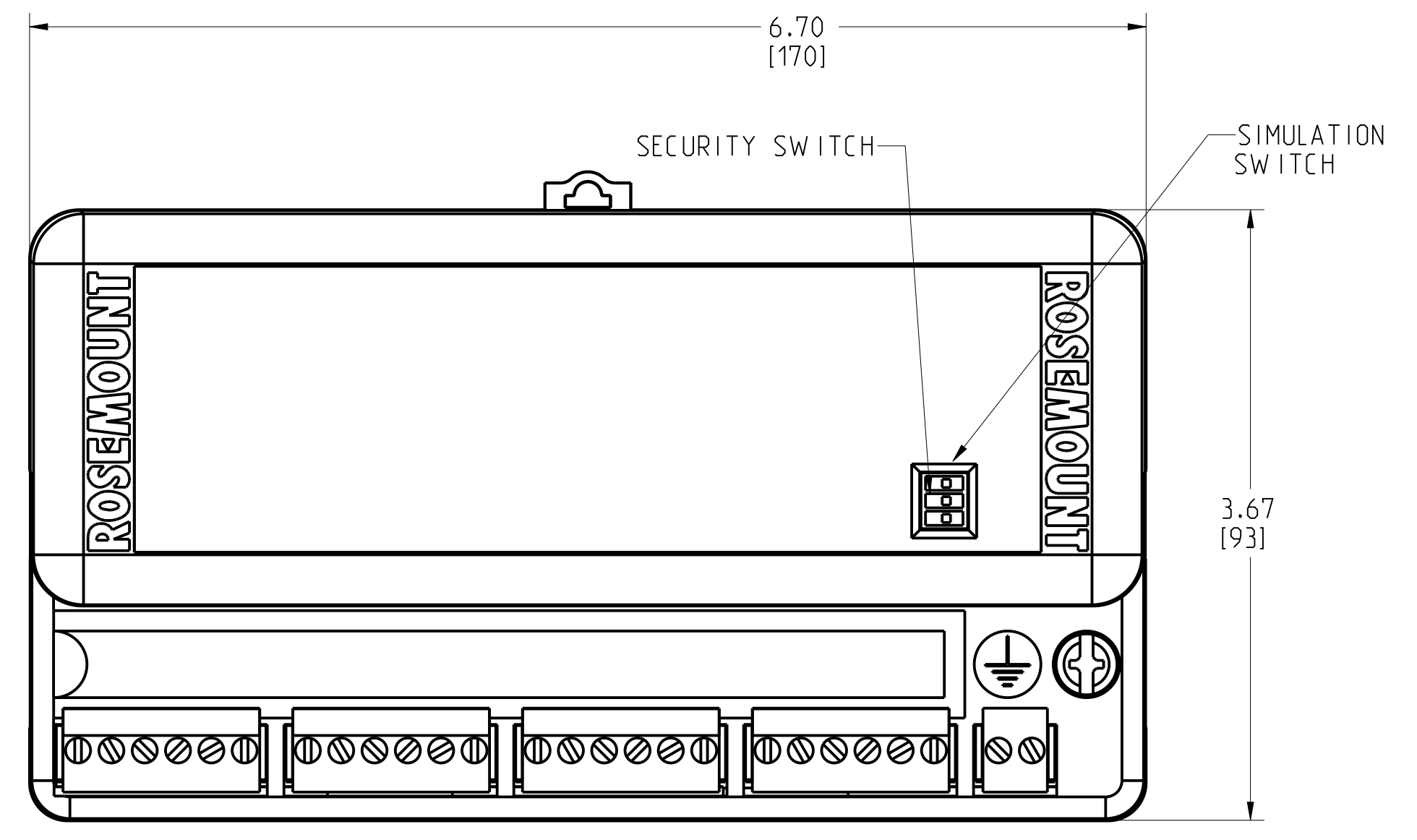
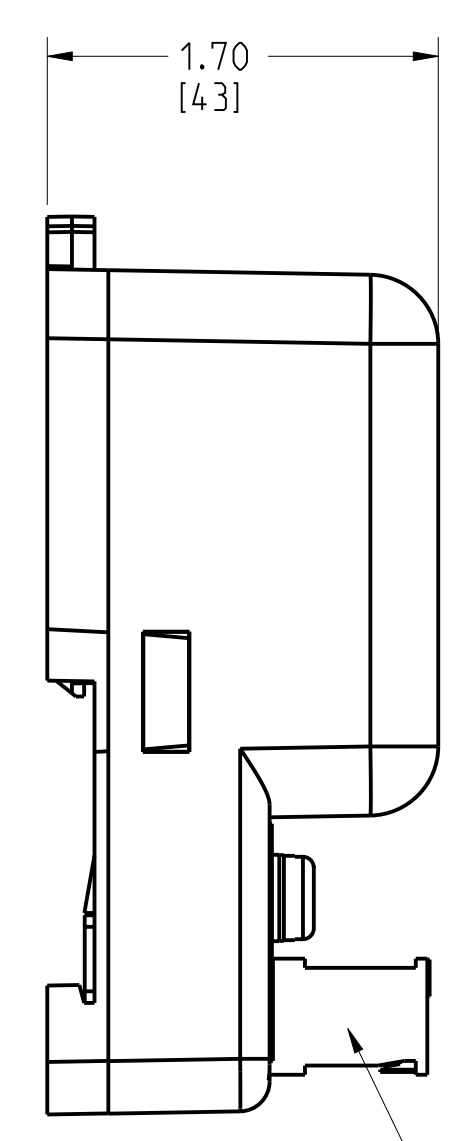
ROSEMOUNT 848T HIGH DENSITY TEMPERATURE FAMILY SST JUNCTION BOX WITH PLUGGED HOLES

SHOWN WITH ENCLOSURE



FIVE PLUGGED 0.86-IN. DIAMETER HOLES SUITABLE FOR INSTALLING 1/2-IN. NPT FITTINGS

SHOWN WITHOUT ENCLOSURE



©2015 ROSEMOUNT, INC. ALL RIGHTS RESERVED. ROSEMOUNT AND THE ROSEMOUNT LOGO ARE TRADEMARKS OF ROSEMOUNT, INC. IN THE U.S. AND OTHER COUNTRIES. THIS DRAWING IS THE PROPERTY OF ROSEMOUNT, INC. AND IS TO BE USED ONLY FOR THE PROJECT AND SPECIFICATIONS STATED HEREON. UNLESS OTHERWISE SPECIFIED, DIMENSIONS ARE IN INCHES (MILLIMETERS).

EMERSON

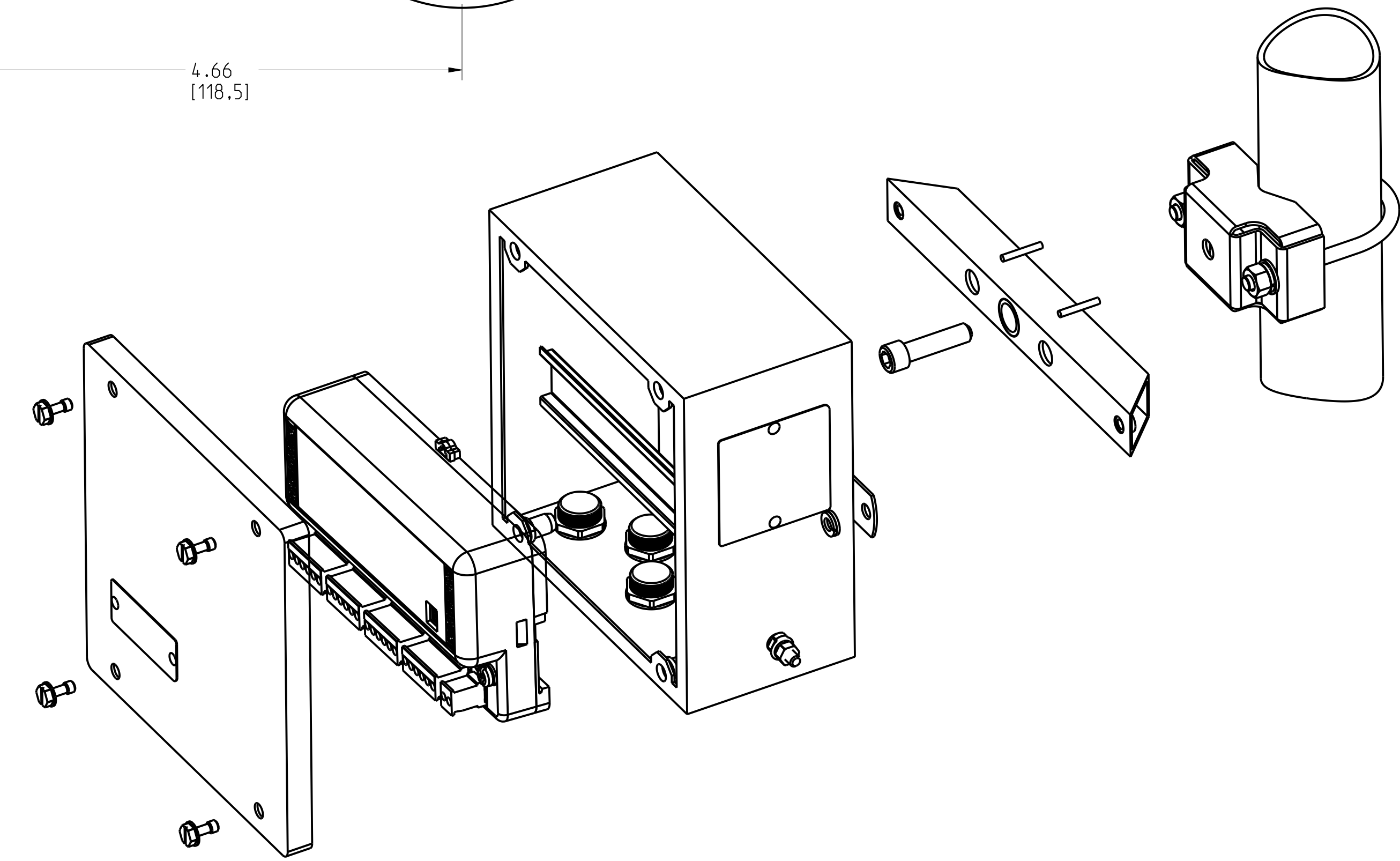
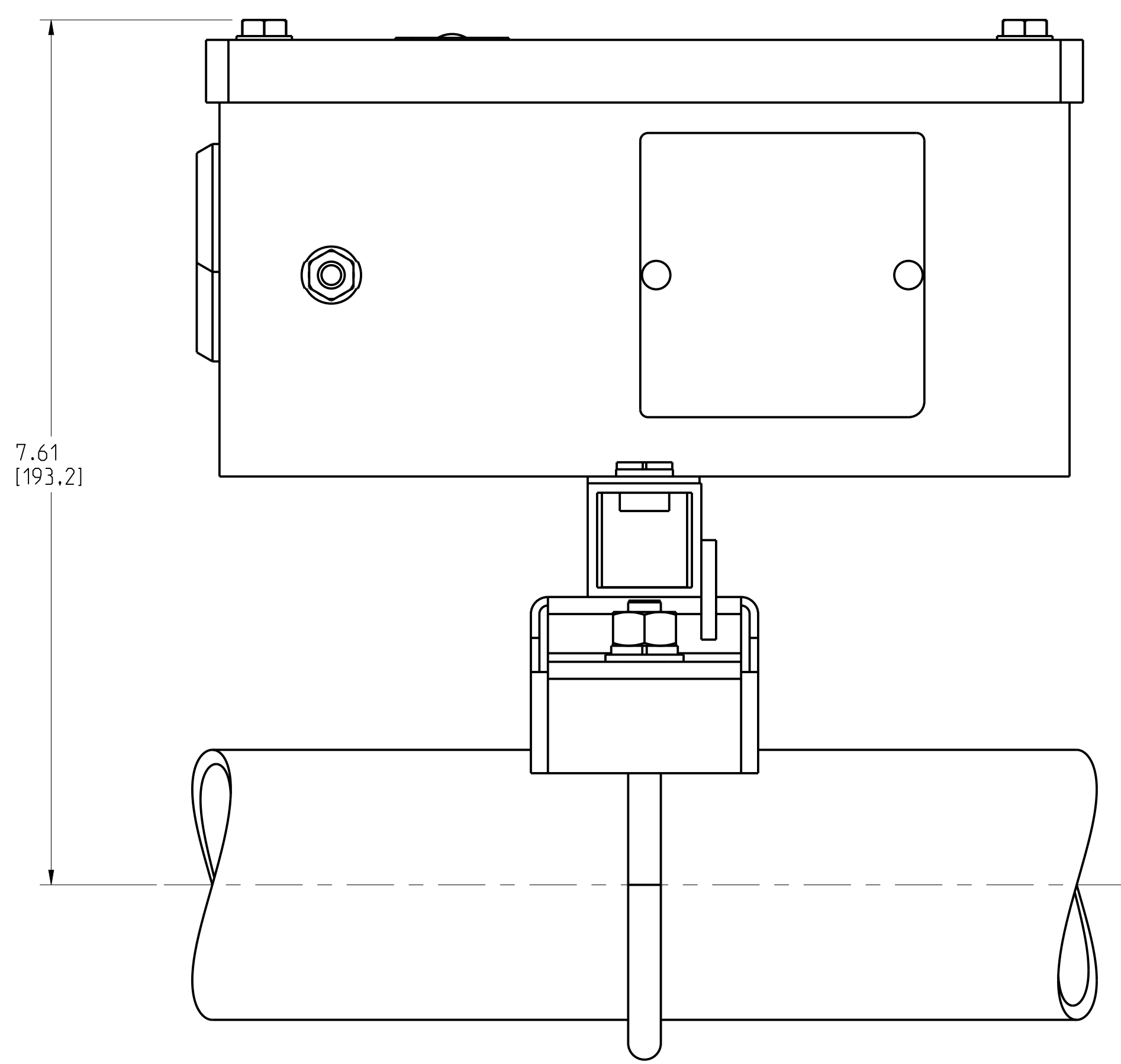
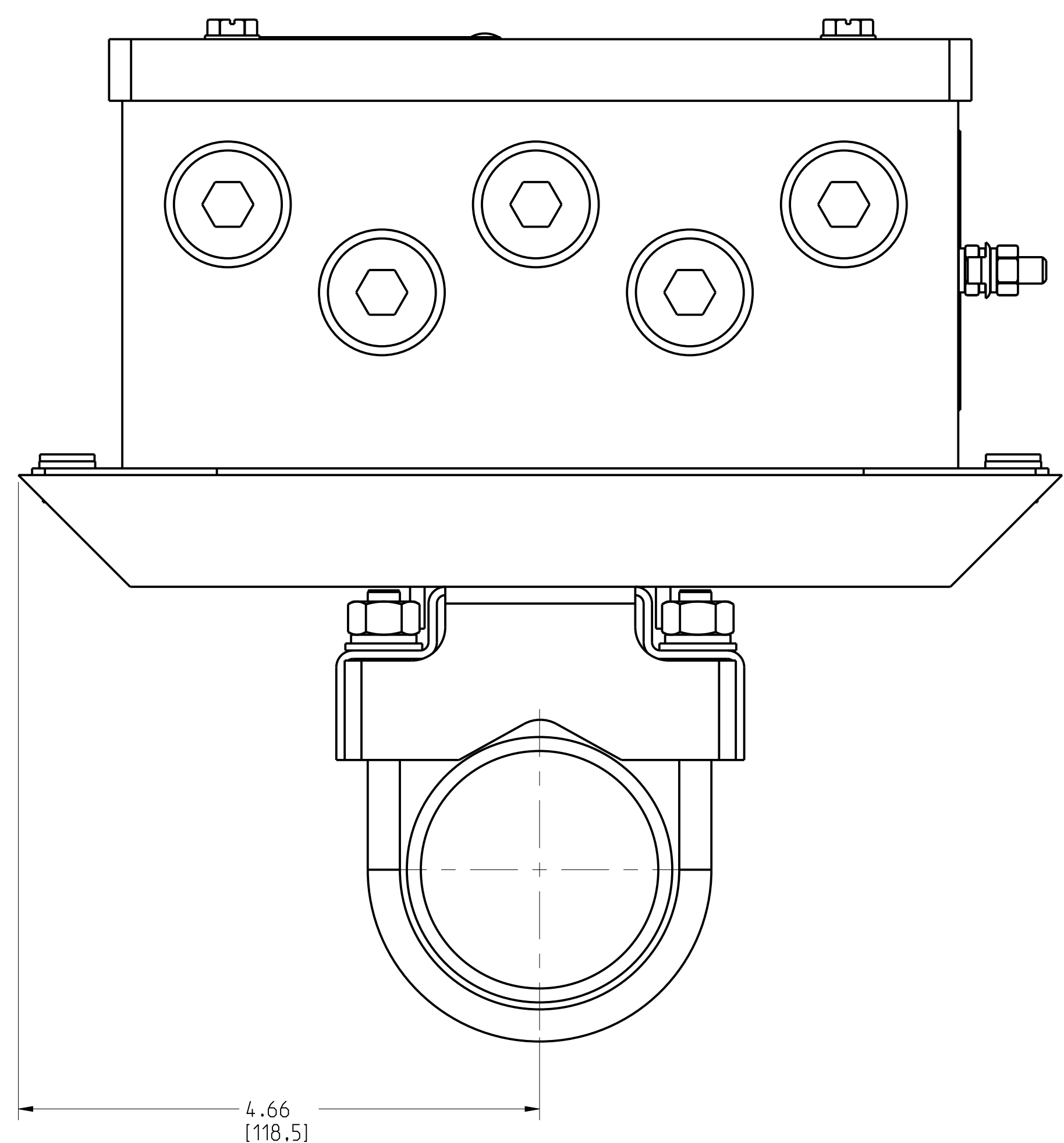
TITLE: ROSEMOUNT HIGH DENSITY TYPE I DRAWING

DR. JLA 3/18/13 DRAWING NO. 00848-4010

APP'D JR 4/5/13

CAD MAINTAINED (PRO/EI) SHEET 8 OF 13

ROSEMOUNT 848T HIGH DENSITY TEMPERATURE FAMILY
SST BOX MOUNTING CONFIGURATION



©2015 ROSEMOUNT, INC. ALL RIGHTS RESERVED. THIS DRAWING IS THE PROPERTY OF ROSEMOUNT ENGINEERING. NO PARTS OF THIS DRAWING ARE TO BE REPRODUCED OR TRANSMITTED IN ANY FORM OR BY ANY MEANS, ELECTRONIC OR MECHANICAL, INCLUDING PHOTOCOPYING, RECORDING, OR BY ANY INFORMATION STORAGE AND RETRIEVAL SYSTEM, WITHOUT PERMISSION IN WRITING FROM ROSEMOUNT ENGINEERING. UNIT NOTES IN INCHES (mm).

REFERENCE ROSEMOUNT PRODUCT SPECIFICATIONS FOR PRODUCT SPECIFICATIONS. CLICK HERE

3RD ANGLE

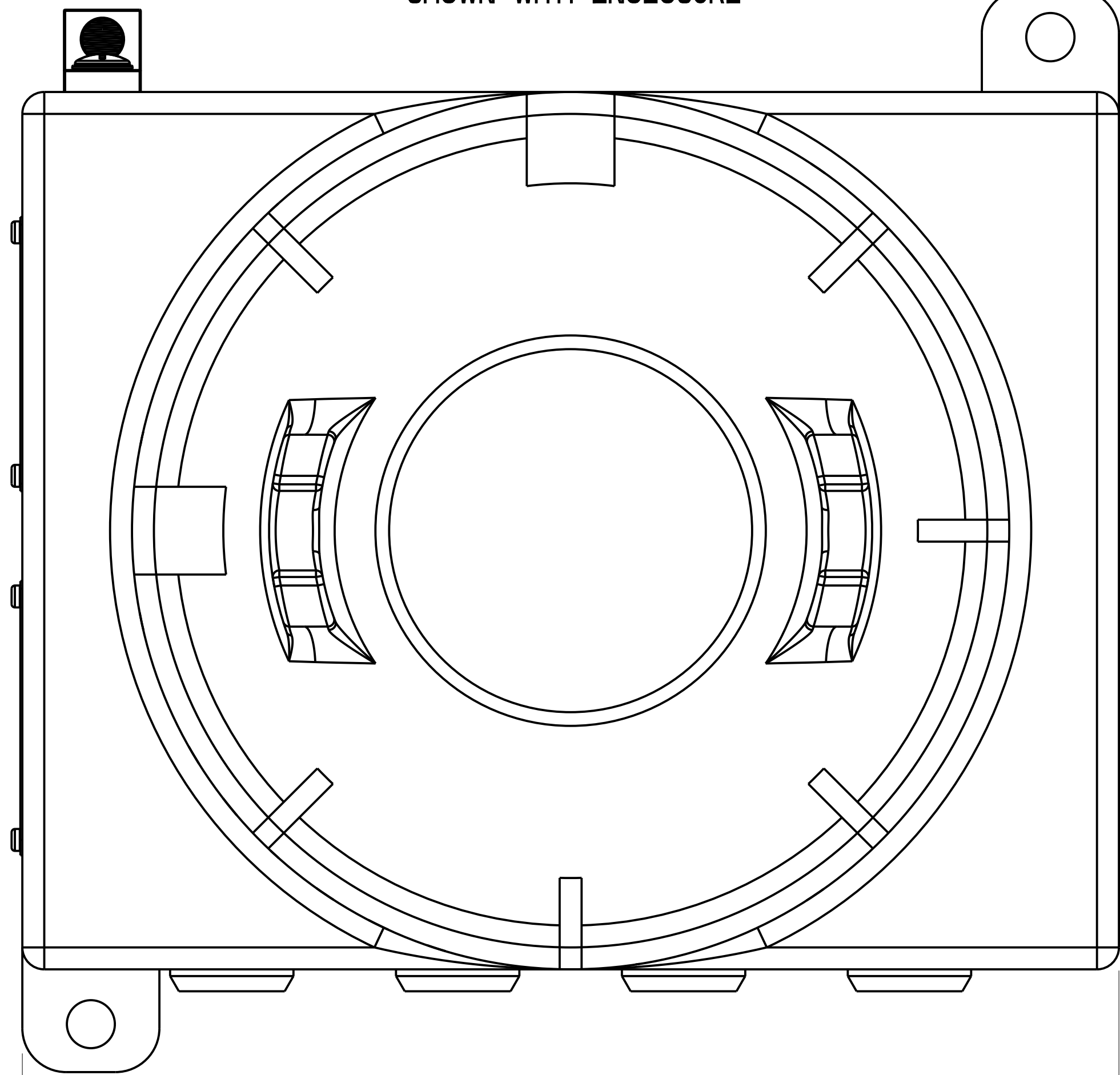
EMERSON

TITLE ROSEMOUNT HIGH DENSITY
TYPE I DRAWING

DR.	JLA	3/18/13	DRAWING NO.	00848-4010
APP'D	JR	4/5/13		

CAD MAINTAINED: (PRO/EI) SHEET 9 OF 13

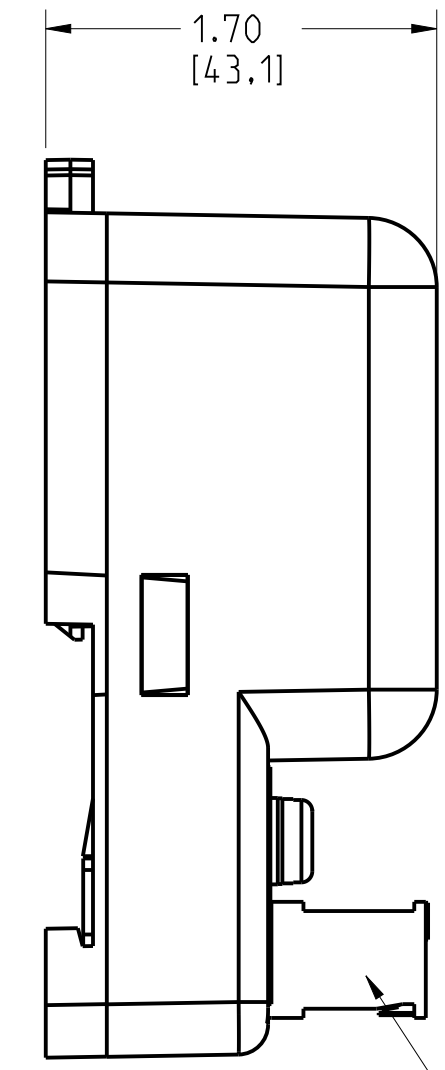
SHOWN WITH ENCLOSURE



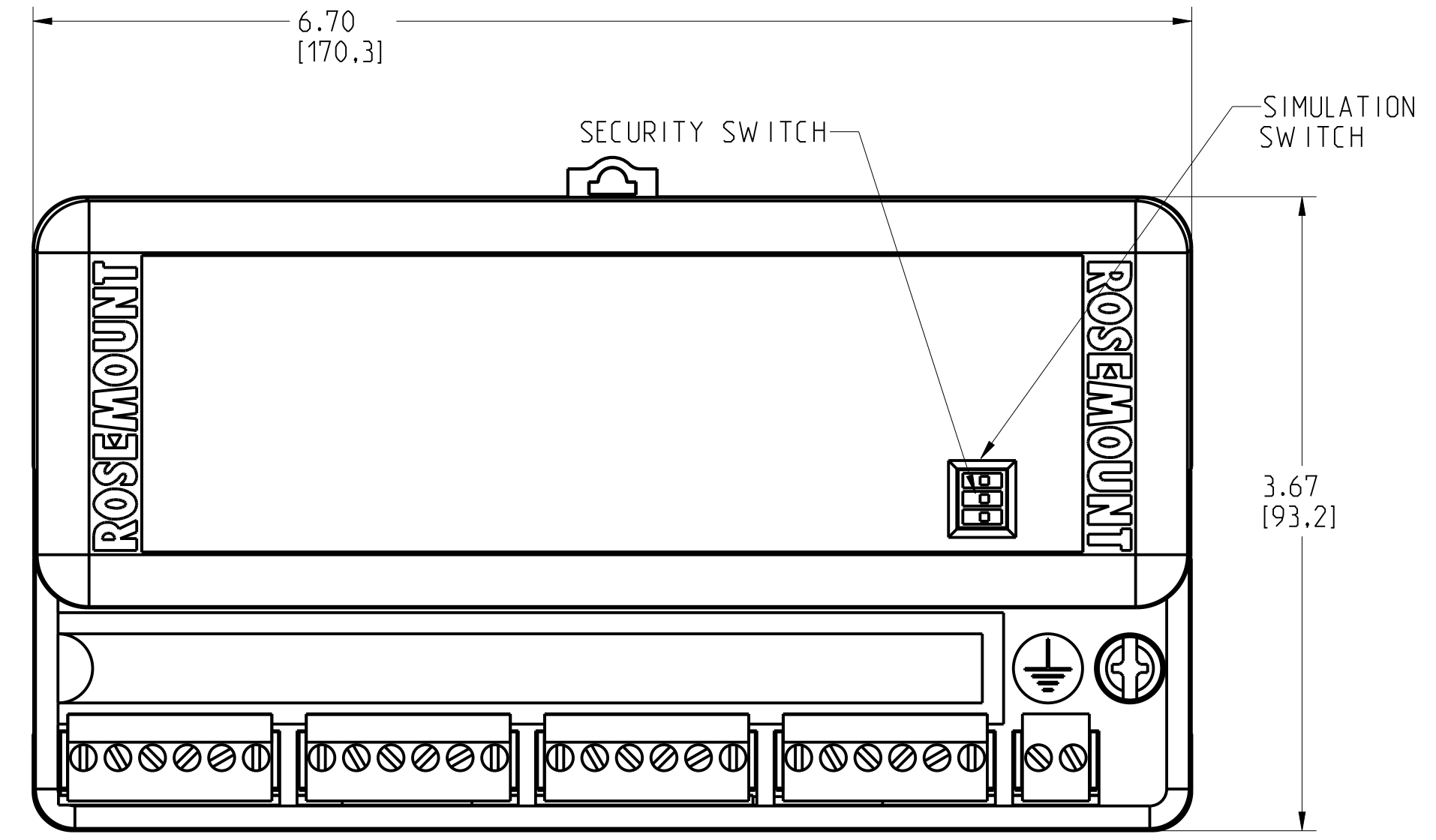
10.00
[254]

ROSEMOUNT 848T HIGH DENSITY TEMPERATURE FAMILY EXPLOSION PROOF BOX WITH PLUGGED HOLES

SHOWN WITHOUT ENCLOSURE



1.70
[43.1]



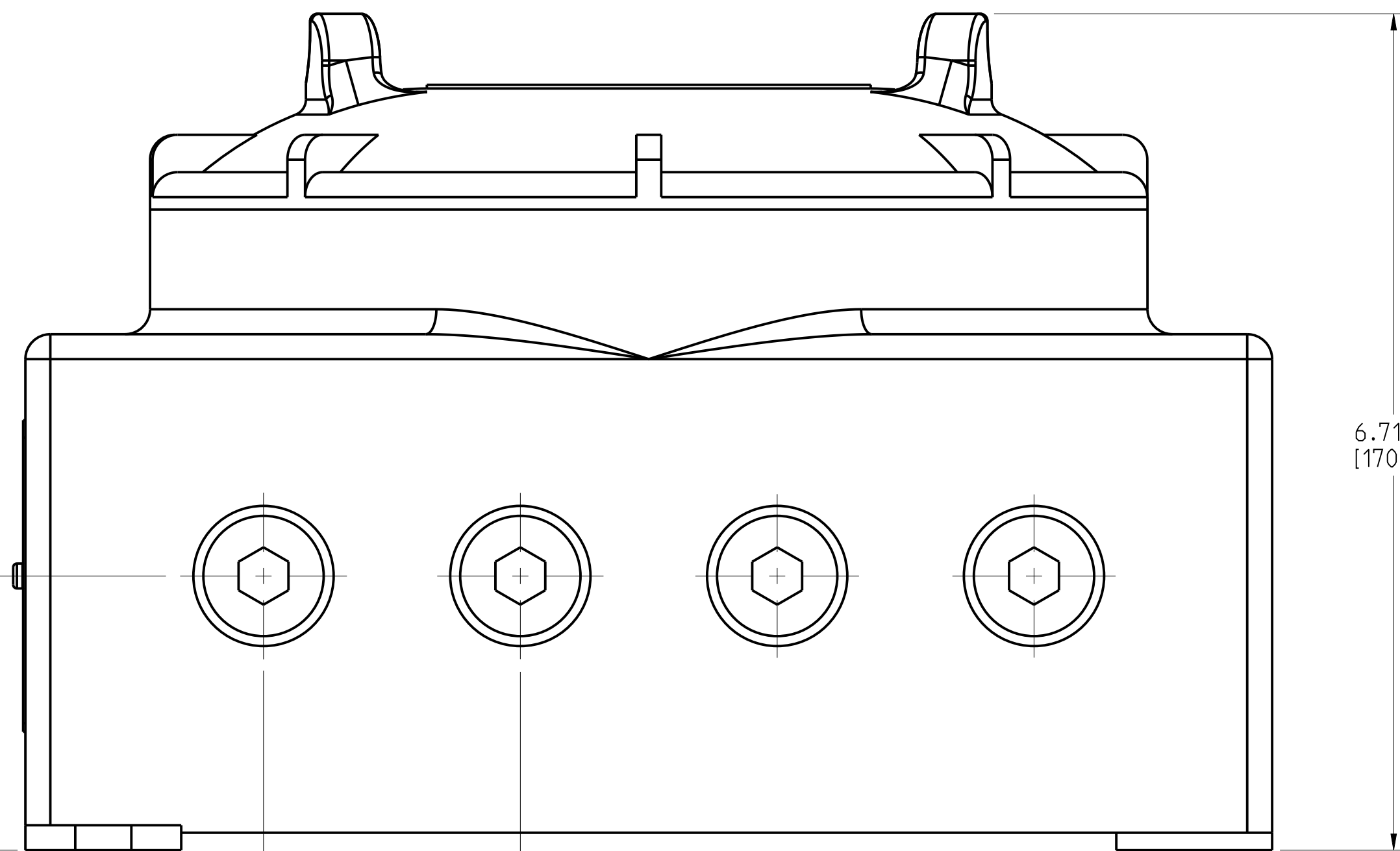
6.70
[170.3]

SECURITY SWITCH

SIMULATION SWITCH

3.67
[93.2]

REMOVABLE
WIRING
CONNECTION

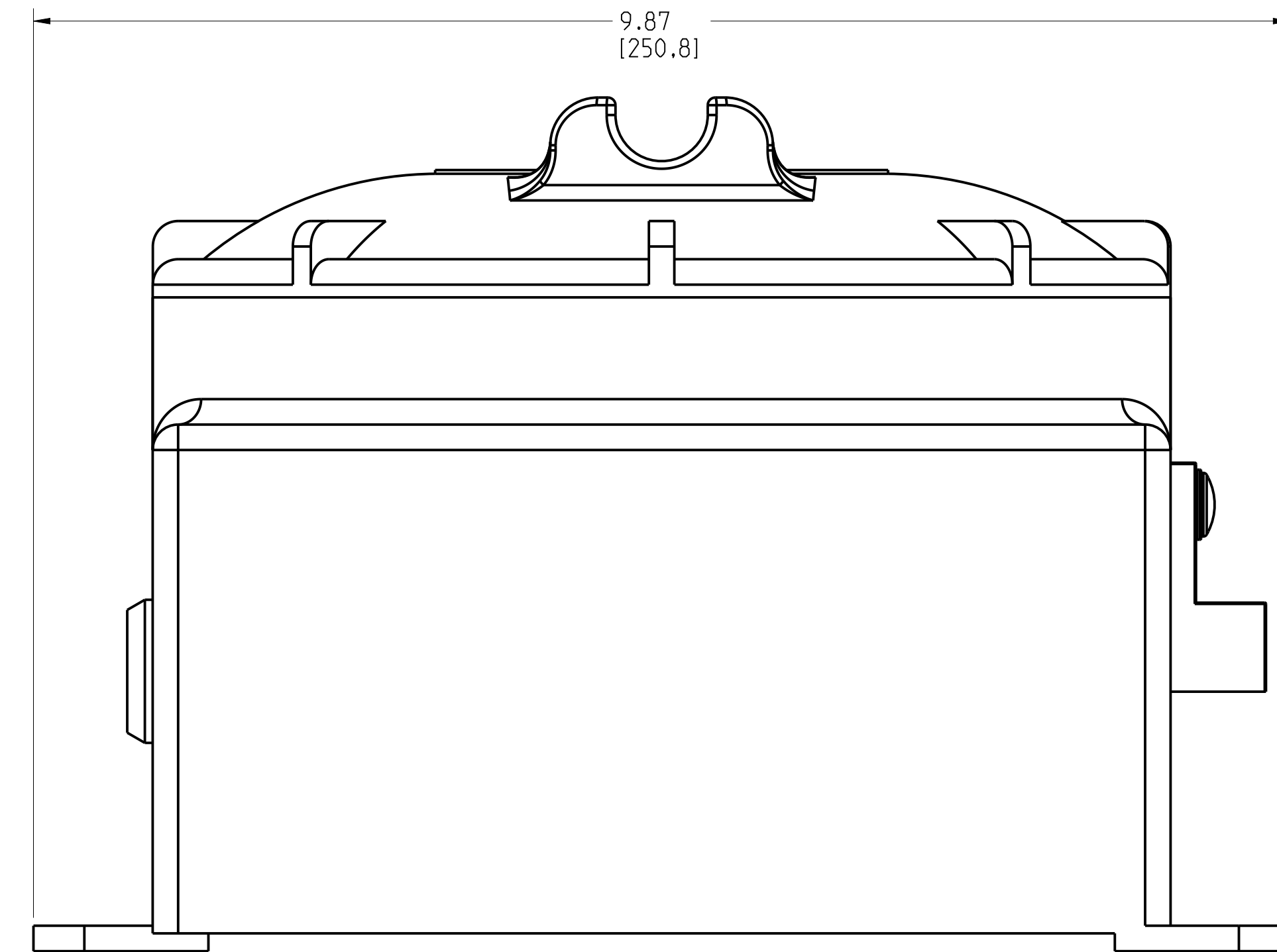


6.71
[170.5]

2.20
[55.9]

1.91
[48.5]

2.06
[52.3]
(TYP.)

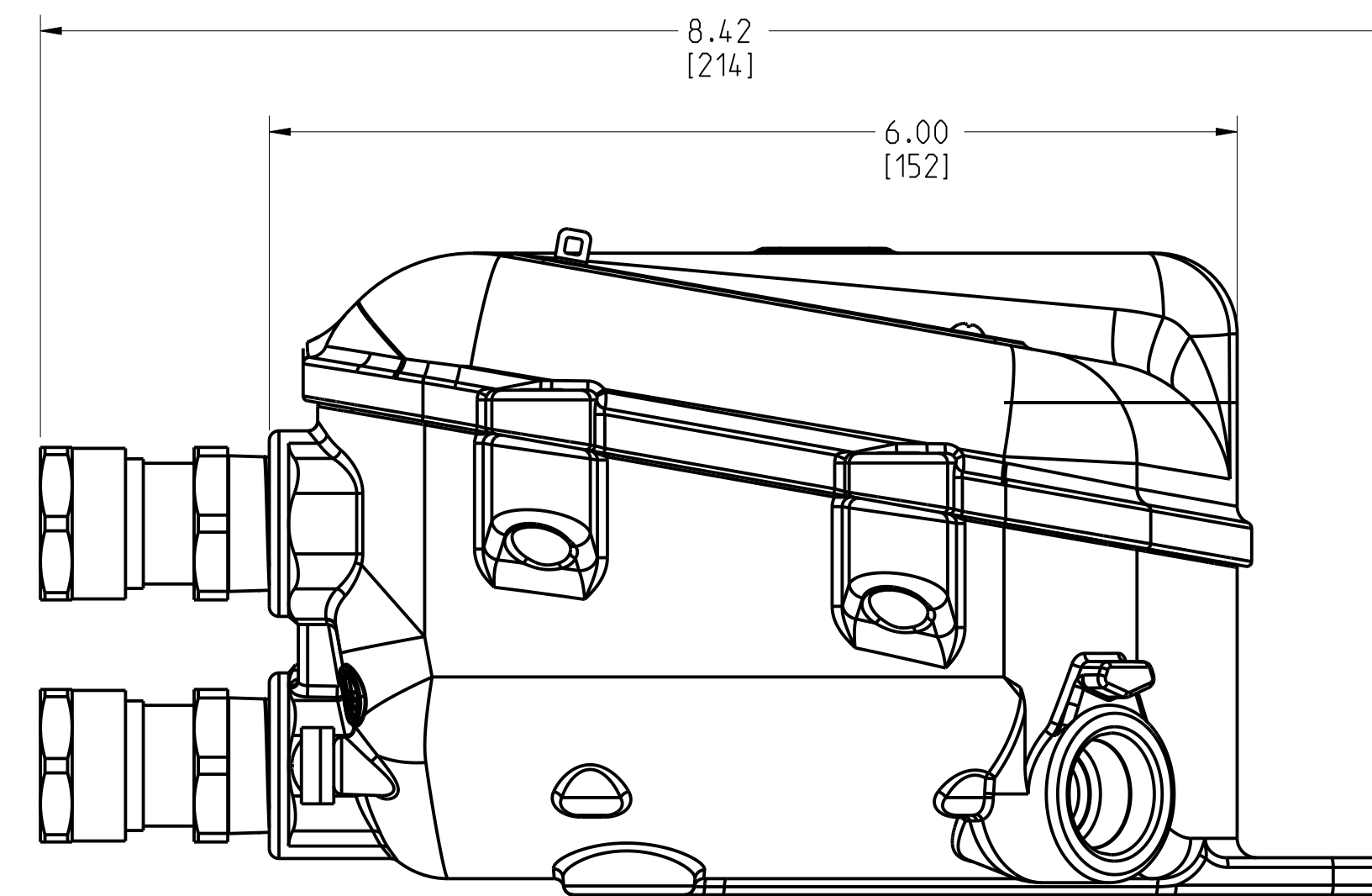
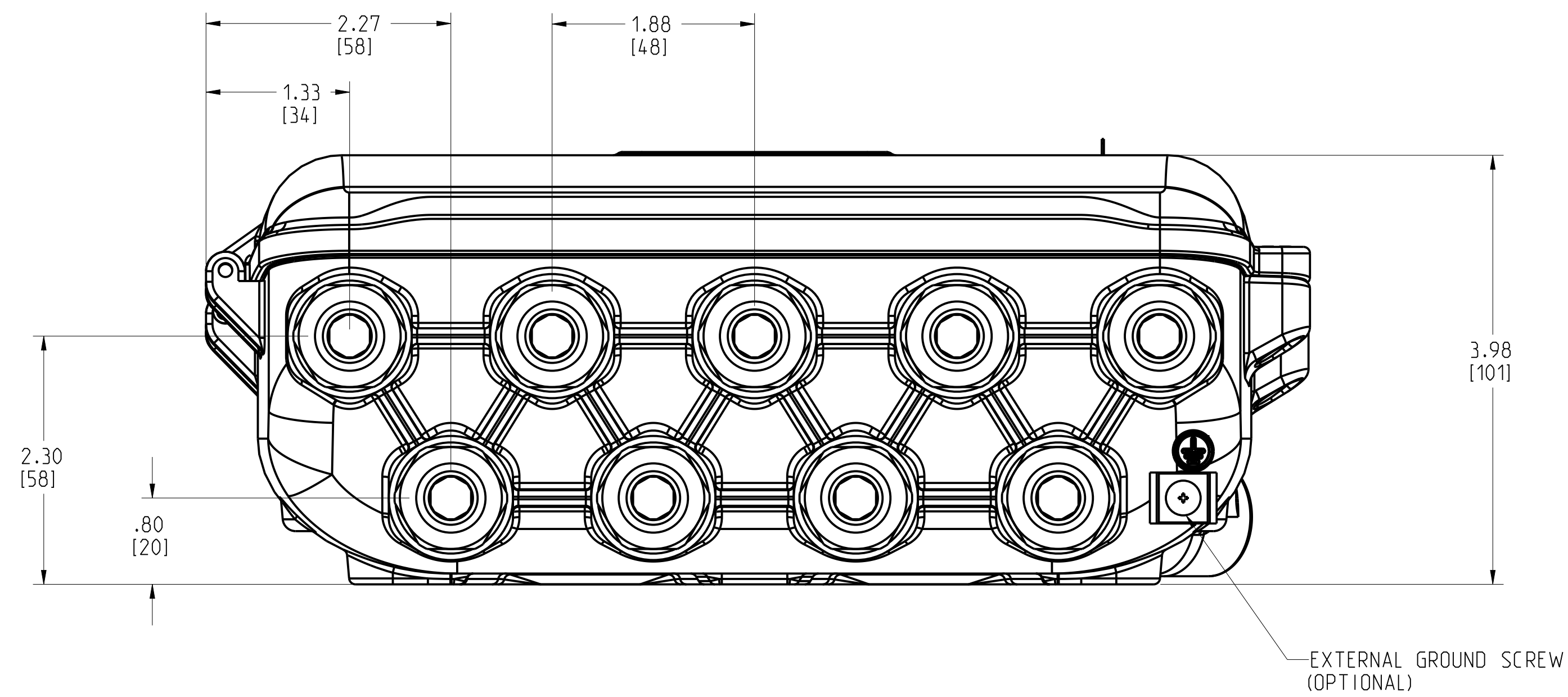
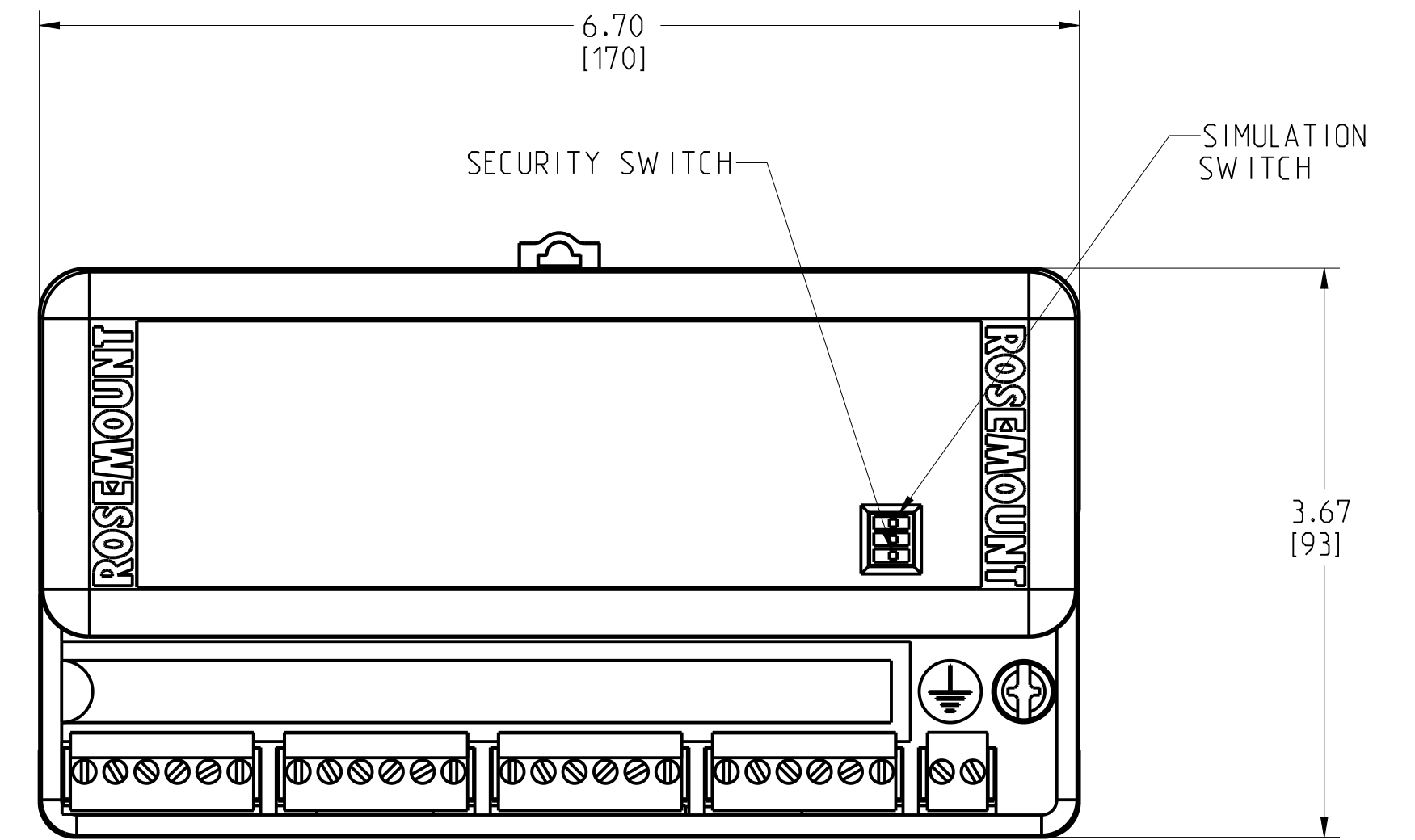
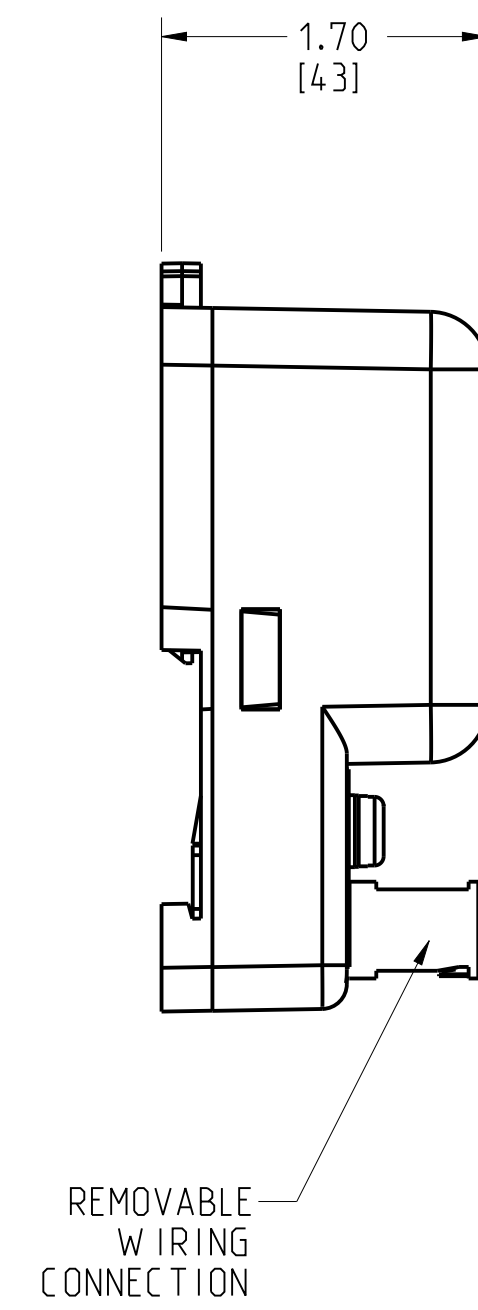
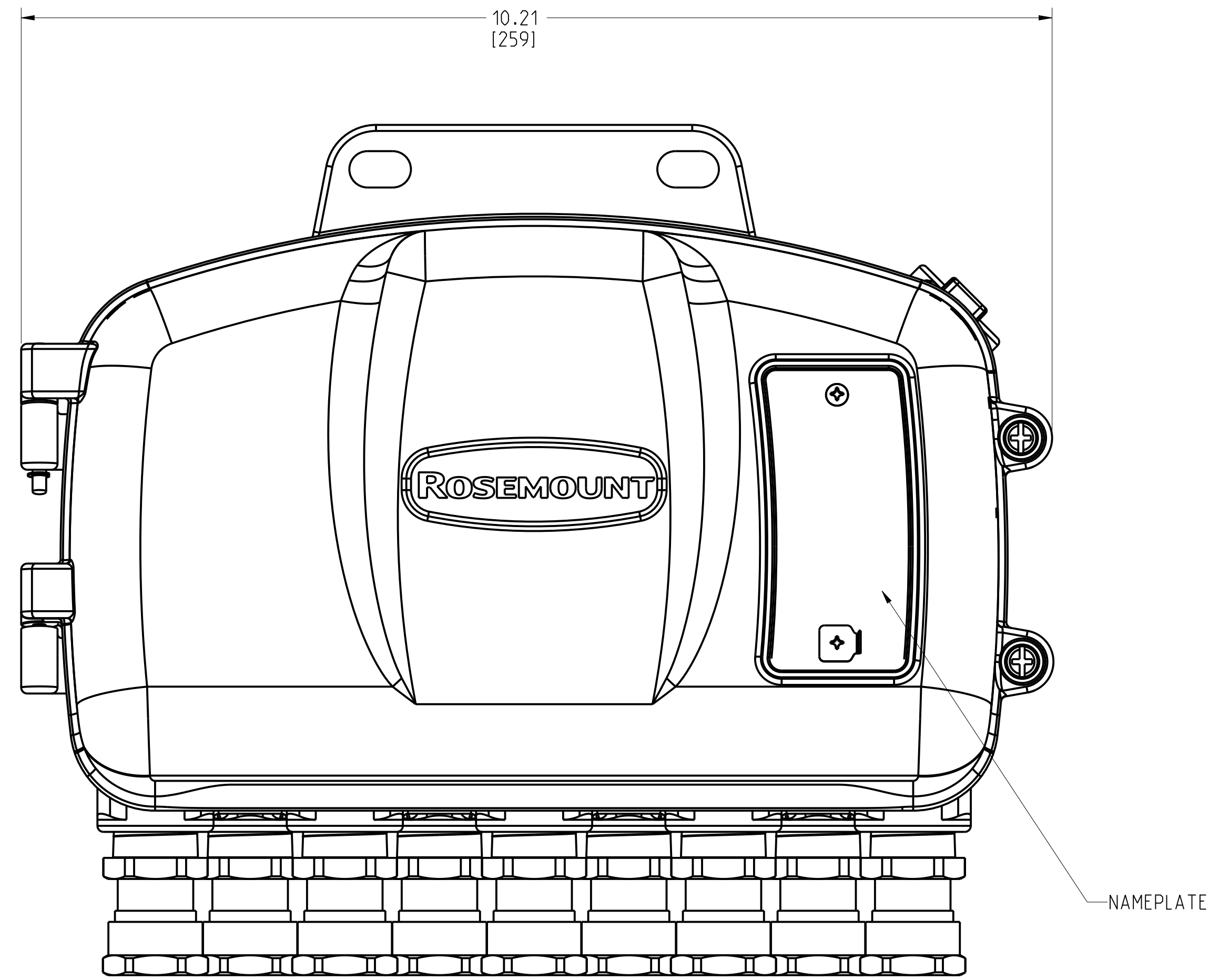


9.87
[250.8]

©2015 ROSEMOUNT, INC.
ROSEMOUNT, INC. ACCEPTS
THESE DRAWINGS AS VALID IN
ACCORDANCE WITH
ROSEMOUNT ENGINEERING
SPECIFICATIONS.
UNIT NOTES IN INCHES (mm).
REFERENCE ROSEMOUNT
PRODUCT SPECIFICATIONS.
CLICK HERE

		3RD ANGLE		SIZE D	SCALE NTS
TITLE ROSEMOUNT HIGH DENSITY TYPE I DRAWING					
DR.	JLA	3/18/13	DRAWING NO.		
APP'D	JR	4/5/13	00848-4010		
CAD MAINTAINED: (PRO/EI)			SHEET 10 OF 13		

ROSEMOUNT 848T HIGH DENSITY TEMPERATURE FAMILY
ALUMINUM BOX WITH CABLE GLANDS



©2015 ROSEMOUNT, INC. ALL RIGHTS RESERVED. THIS DRAWING IS THE PROPERTY OF ROSEMOUNT ENGINEERING SPECIFICATIONS. UNIT NOTES IN INCHES (mm).

REFERENCE ROSEMOUNT PRODUCT SPECIFICATIONS. CLICK HERE

EMERSON

TITLE ROSEMOUNT HIGH DENSITY TYPE I DRAWING

DR. JLA 3/18/13 DRAWING NO. 00848-4010

APP'D JR 4/5/13

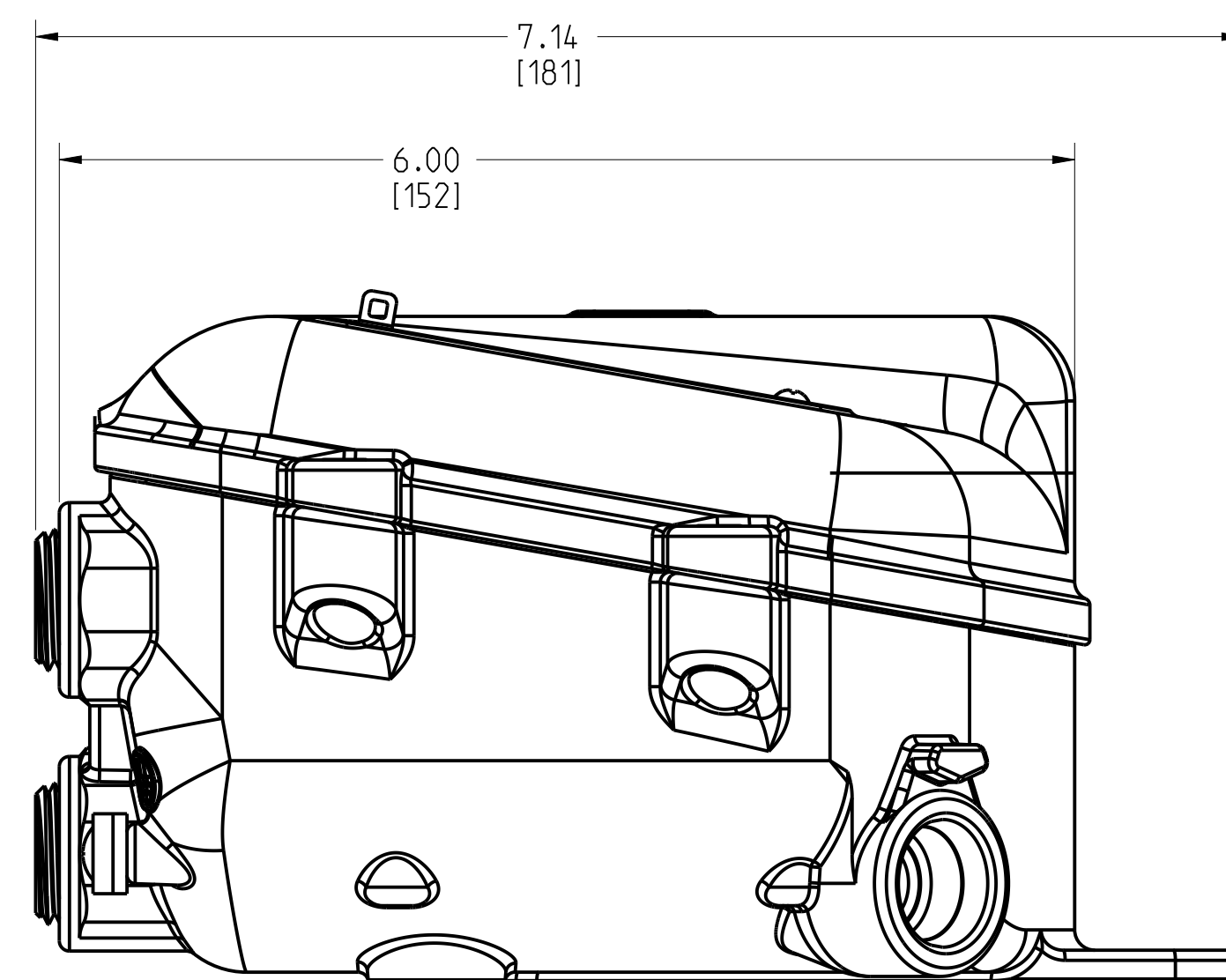
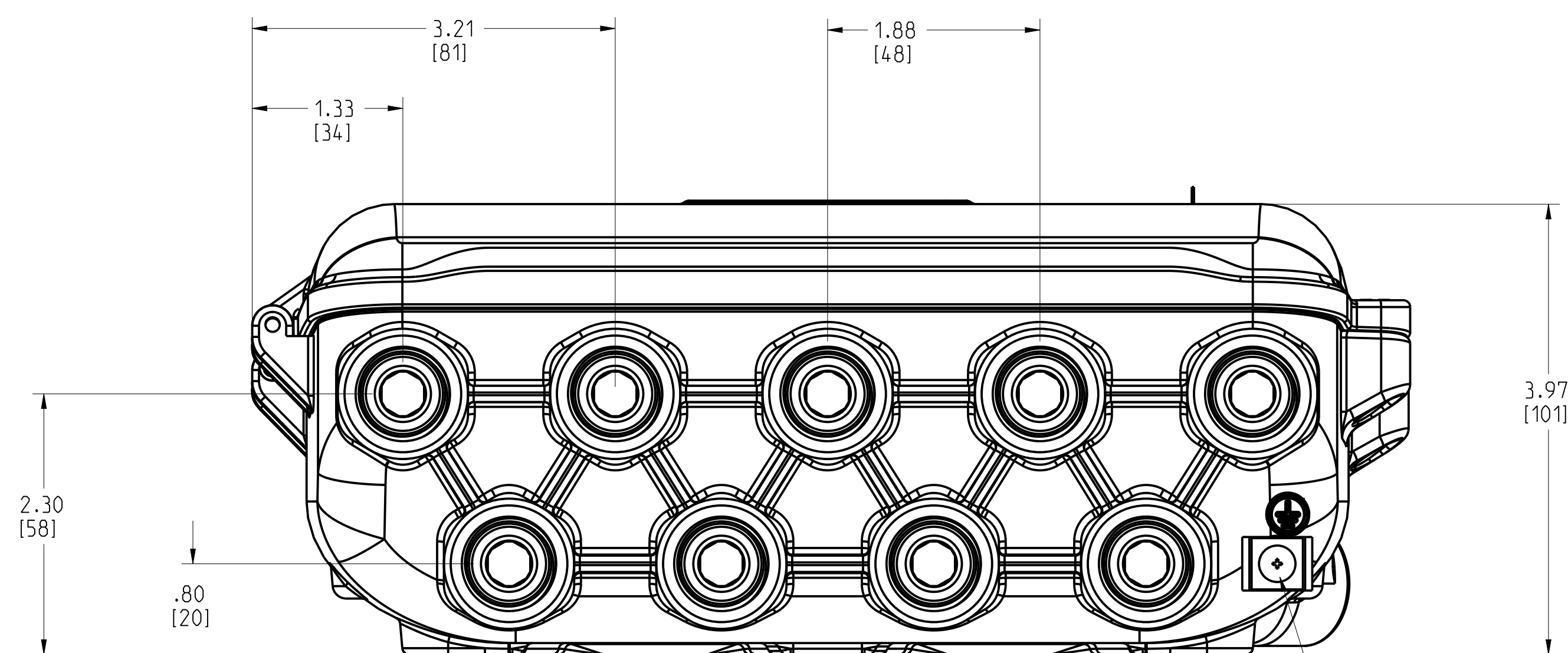
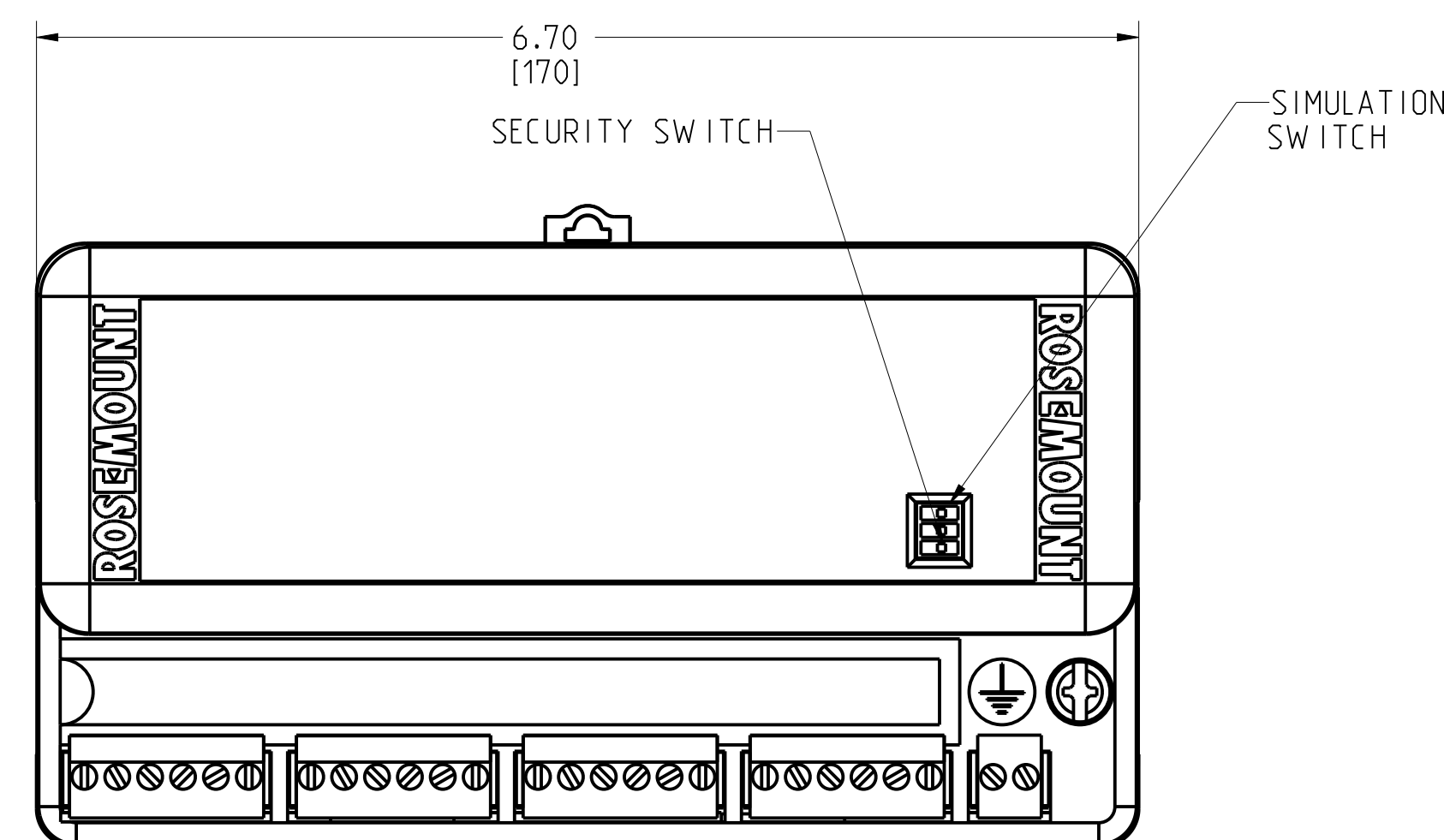
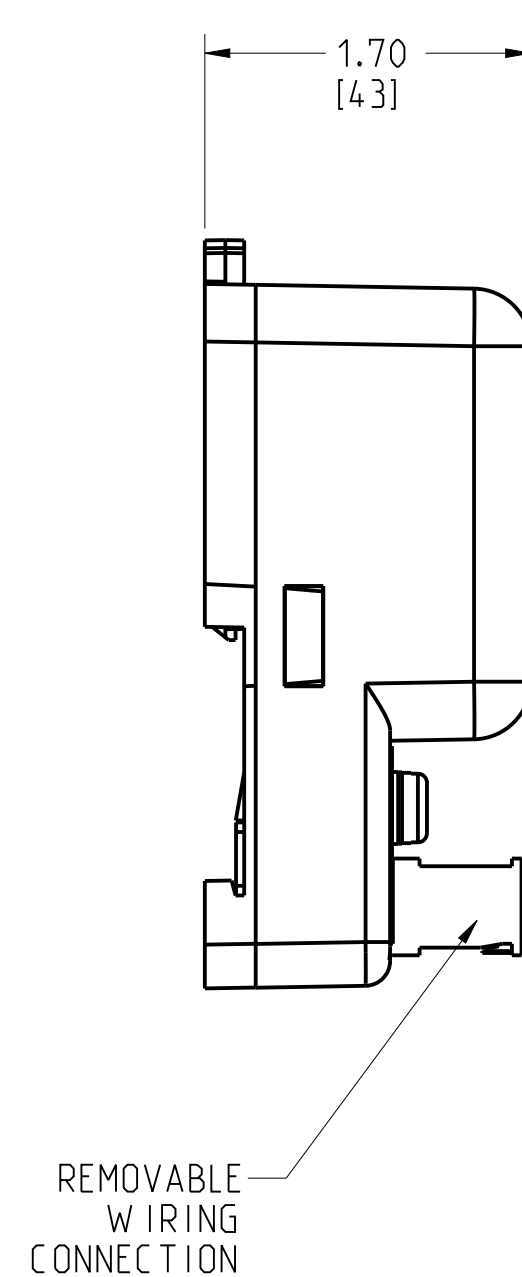
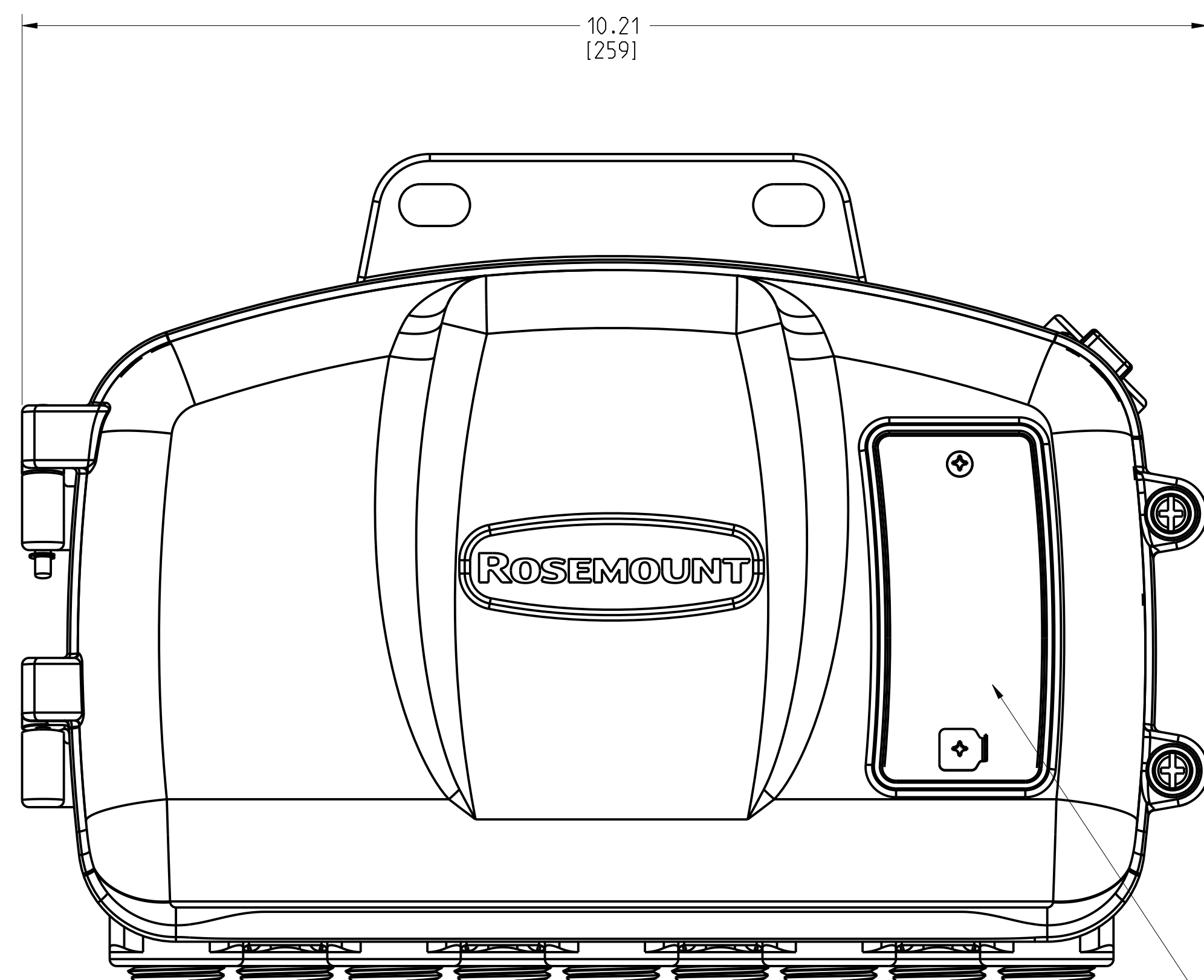
CAD MAINTAINED (PRO/EI) SHEET 11 OF 13

3RD ANGLE

SIZE D

SCALE NTS

ROSEMOUNT 848T HIGH DENSITY TEMPERATURE FAMILY
ALUMINUM JUNCTION BOX WITH PLUGGED HOLES



©2015 ROSEMOUNT, INC. ALL RIGHTS RESERVED. THIS DRAWING IS THE PROPERTY OF ROSEMOUNT ENGINEERING SPECIFICATIONS. UNIT NOTES IN INCHES (mm).

REFERENCE ROSEMOUNT PRODUCT SPECIFICATIONS. CLICK HERE

EMERSON

TITLE ROSEMOUNT HIGH DENSITY TYPE I DRAWING

DR. JLA 3/18/13 DRAWING NO. 00848-4010

APP'D JR 4/5/13

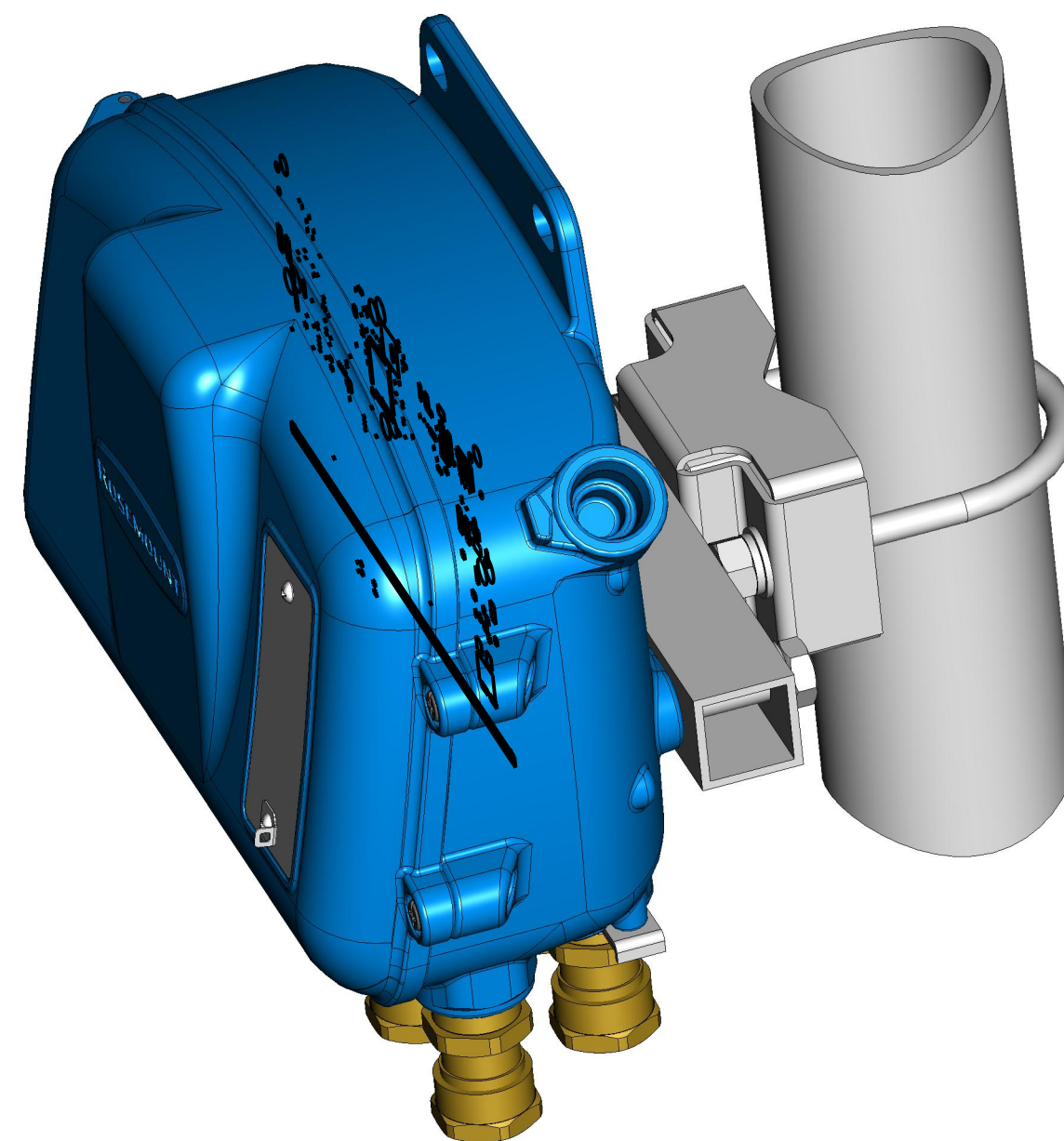
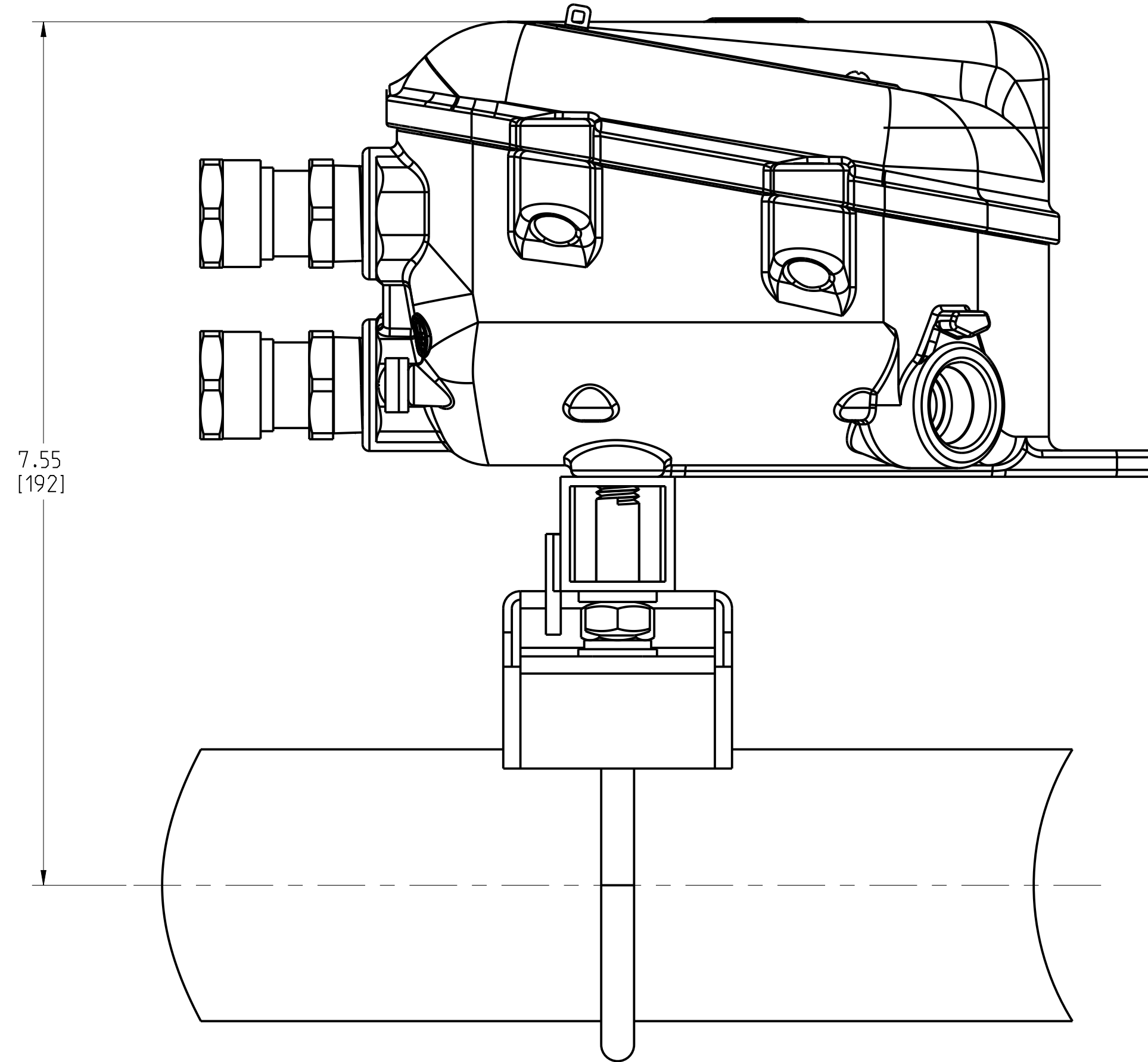
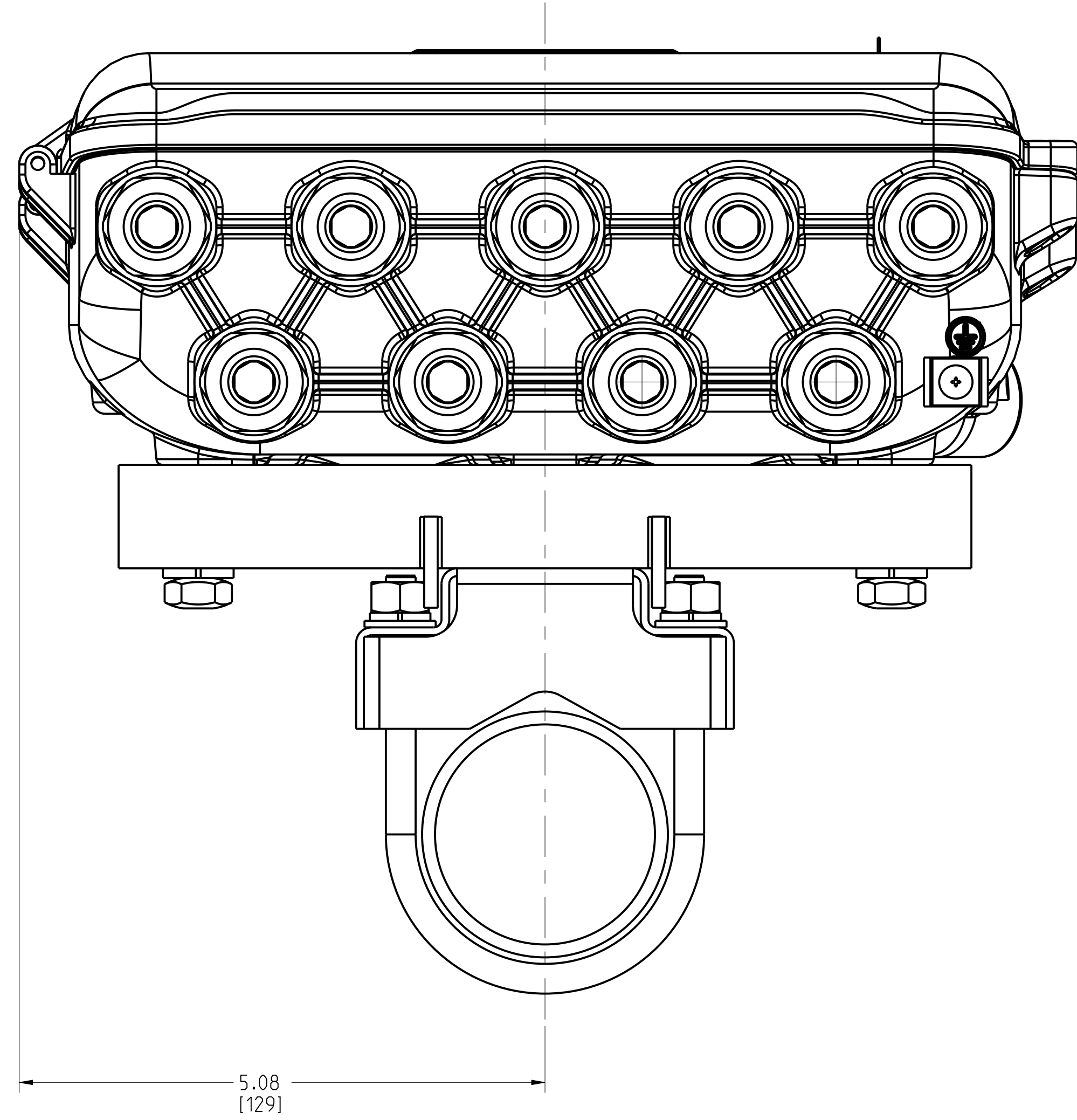
CAD MAINTAINED (PRO/EI) SHEET 12 OF 13

3RD ANGLE

SIZE D

SCALE NTS

ROSEMOUNT 848T HIGH DENSITY TEMPERATURE FAMILY
ALUMINUM BOX MOUNTING CONFIGURATION



©2015 ROSEMOUNT, INC.
ROSEMOUNT AND LOGO ARE TRADEMARKS OF ROSEMOUNT, INC. IN THE U.S. AND OTHER COUNTRIES.
THIS DRAWING IS UNLESS OTHERWISE SPECIFIED IN ACCORDANCE WITH ROSEMOUNT ENGINEERING SPECIFICATIONS.
UNIT NOTES IN INCHES (mm).

REFERENCE ROSEMOUNT PRODUCT SPECIFICATIONS FOR PRODUCT SPECIFICATIONS.
CLICK HERE

EMERSON

TITLE ROSEMOUNT HIGH DENSITY
TYPE I DRAWING

DR. JLA 3/18/13 DRAWING NO. 00848-4010
APP'D JR 4/5/13

CAD MAINTAINED (PRO/EI) SHEET 13 OF 13

3RD ANGLE

SIZE D SCALE NTS