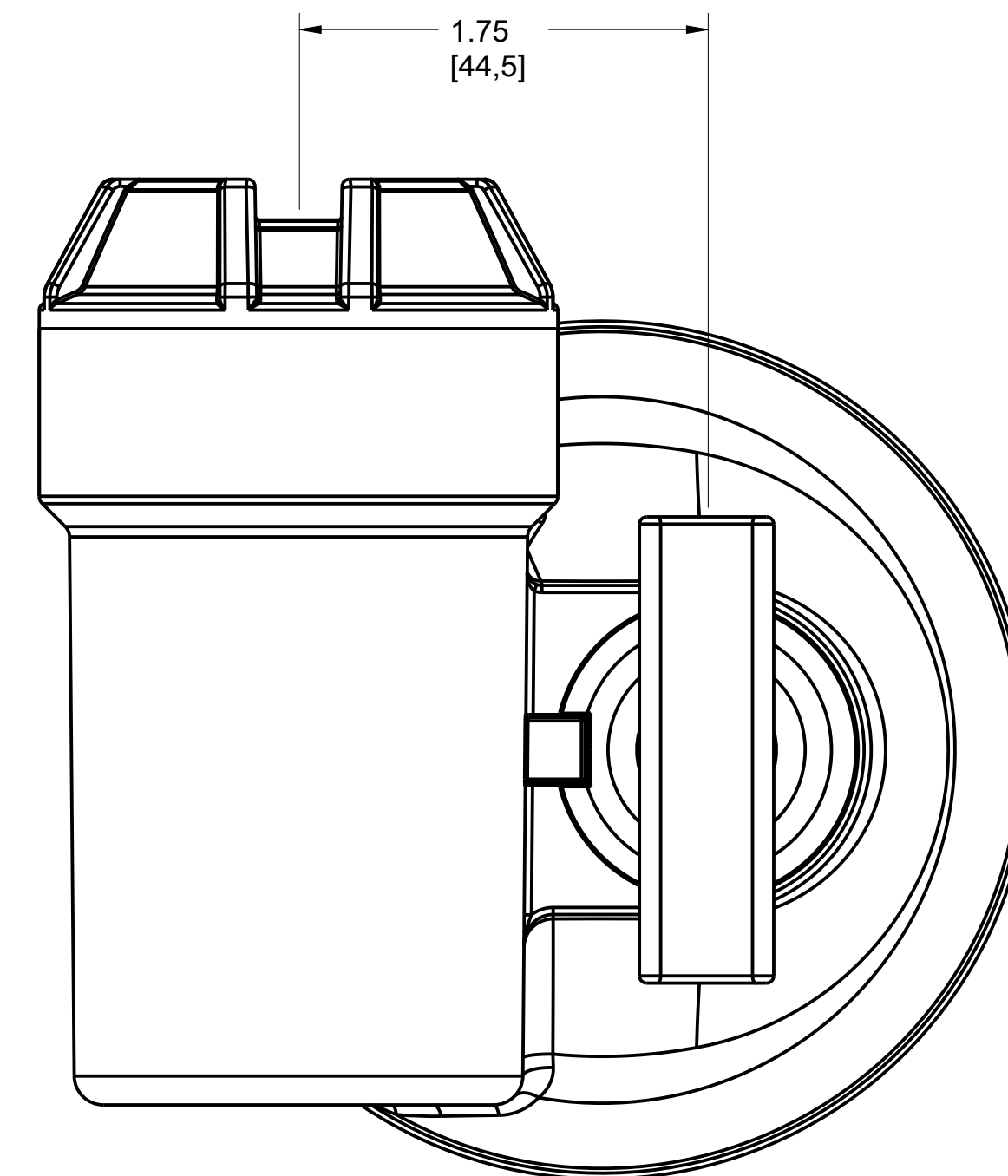
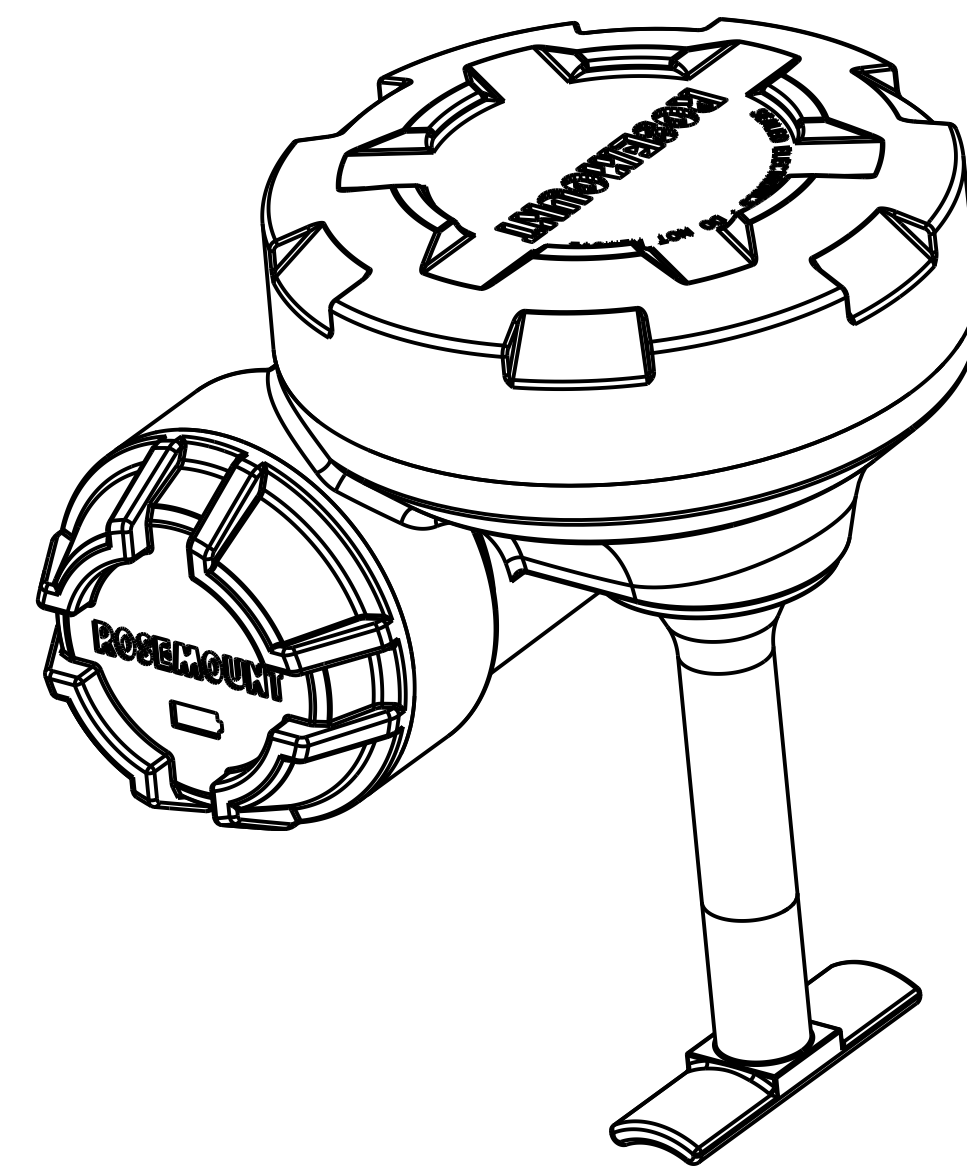
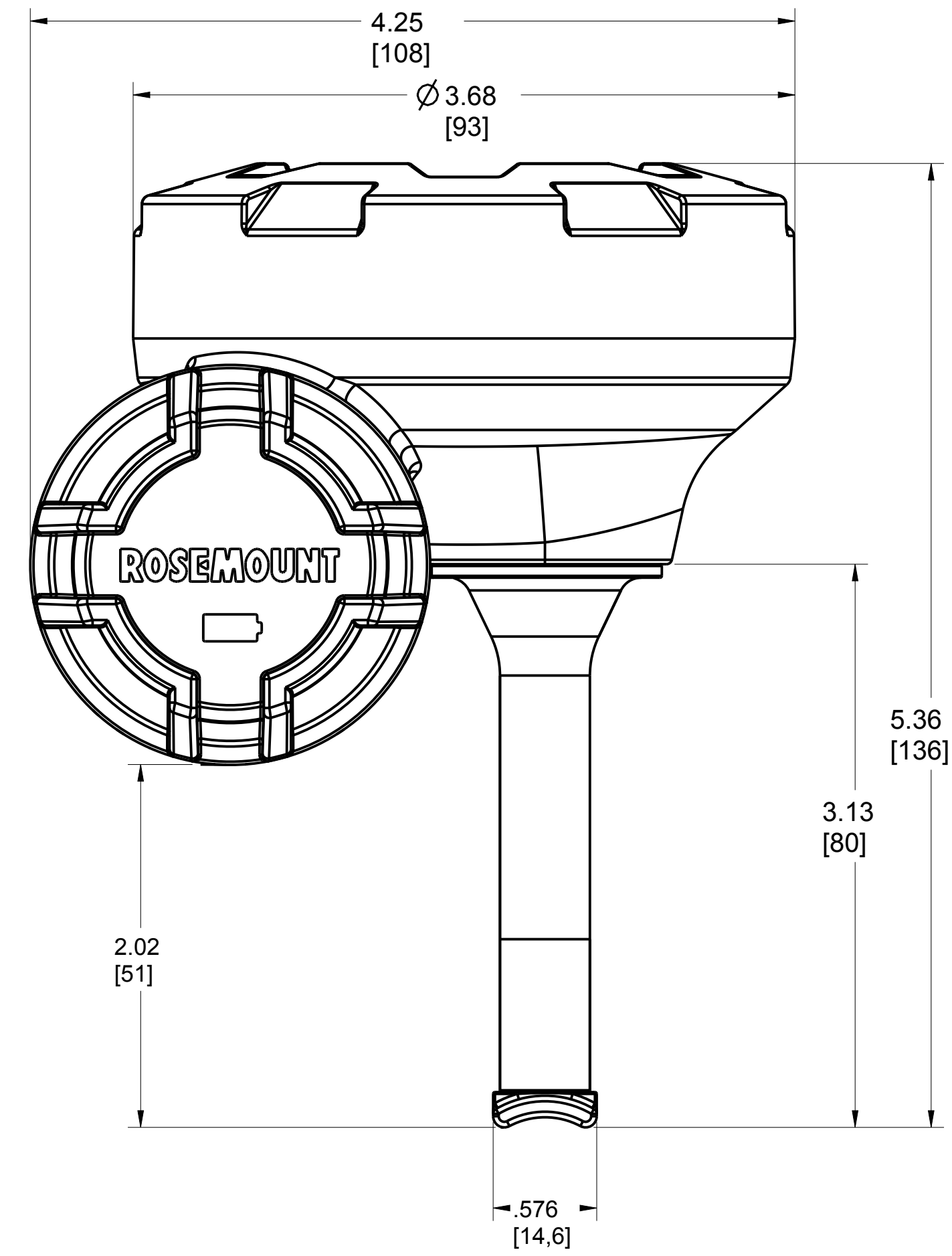
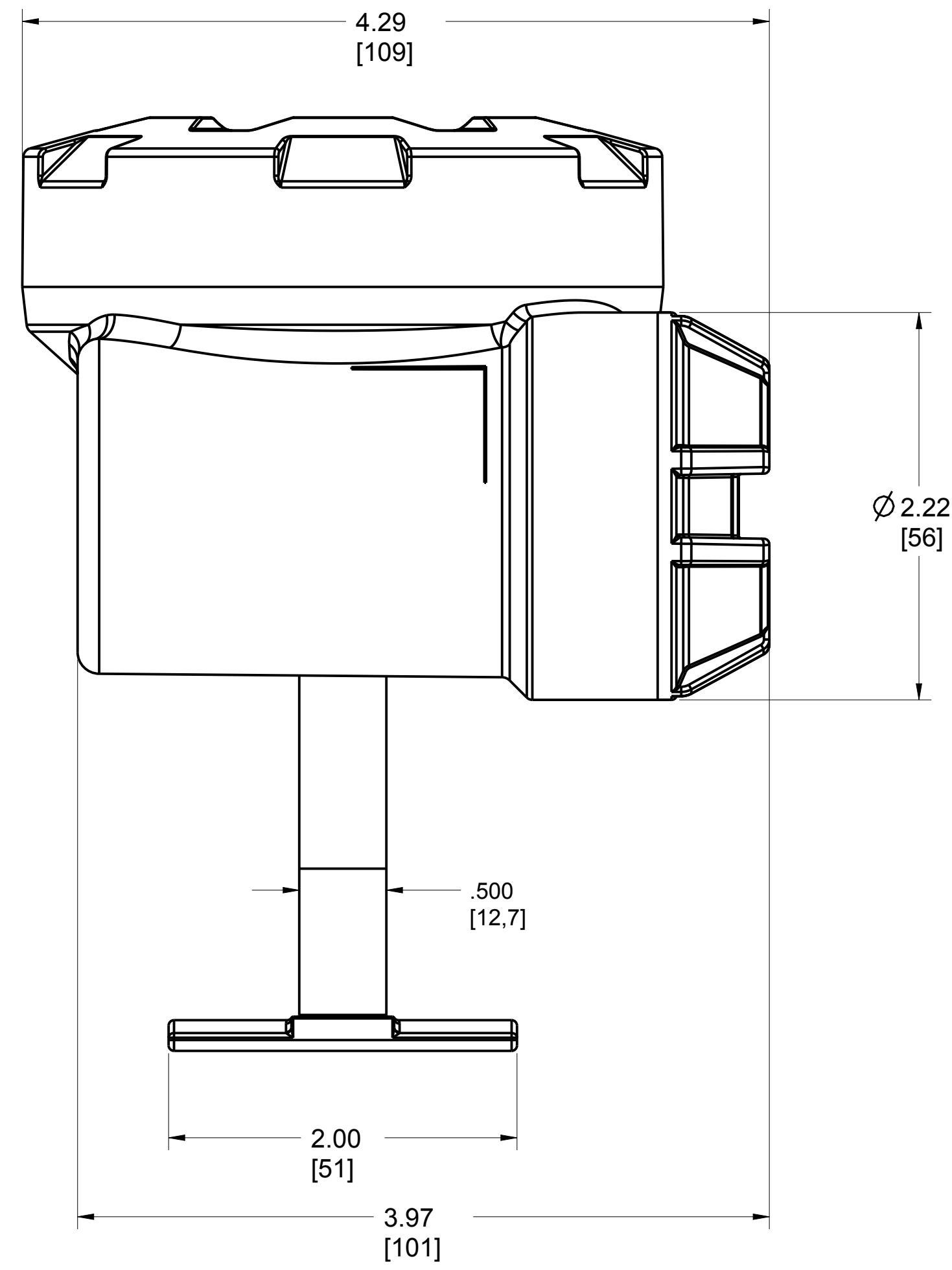


ROSEMOUNT 708 ACOUSTIC TRANSMITTER

REVISION TABLE			
REVISION	ECO NO.	APP'D	DATE
AE	RTC1068114	M. POKORNY	5/9/17
DESCRIPTION			
UPDATE TITLEBLOCK AND ADD VIEWS			



©2015 ROSEMOUNT INC.
 ROSEMOUNT INC. CERTIFIES
 THIS DRAWING IS MADE IN
 ACCORDANCE WITH
 ROSEMOUNT ENGINEERING
 SPECIFICATIONS.
 UNIT NOTES IN INCHES (mm).
 REFERENCE ROSEMOUNT
 PRODUCT SPECIFICATIONS.
 CLICK HERE

3RD ANGLE

SIZE D SCALE NTS

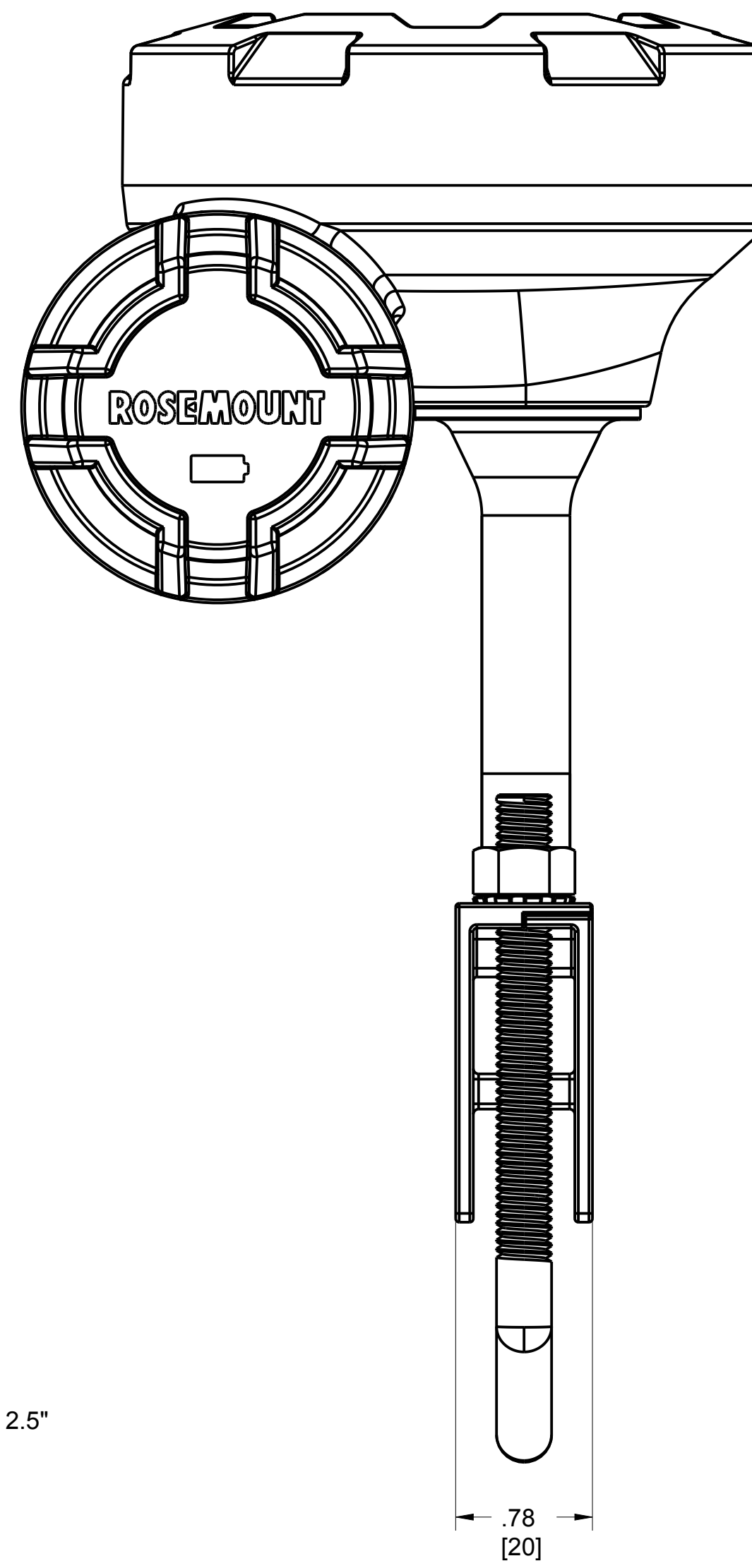
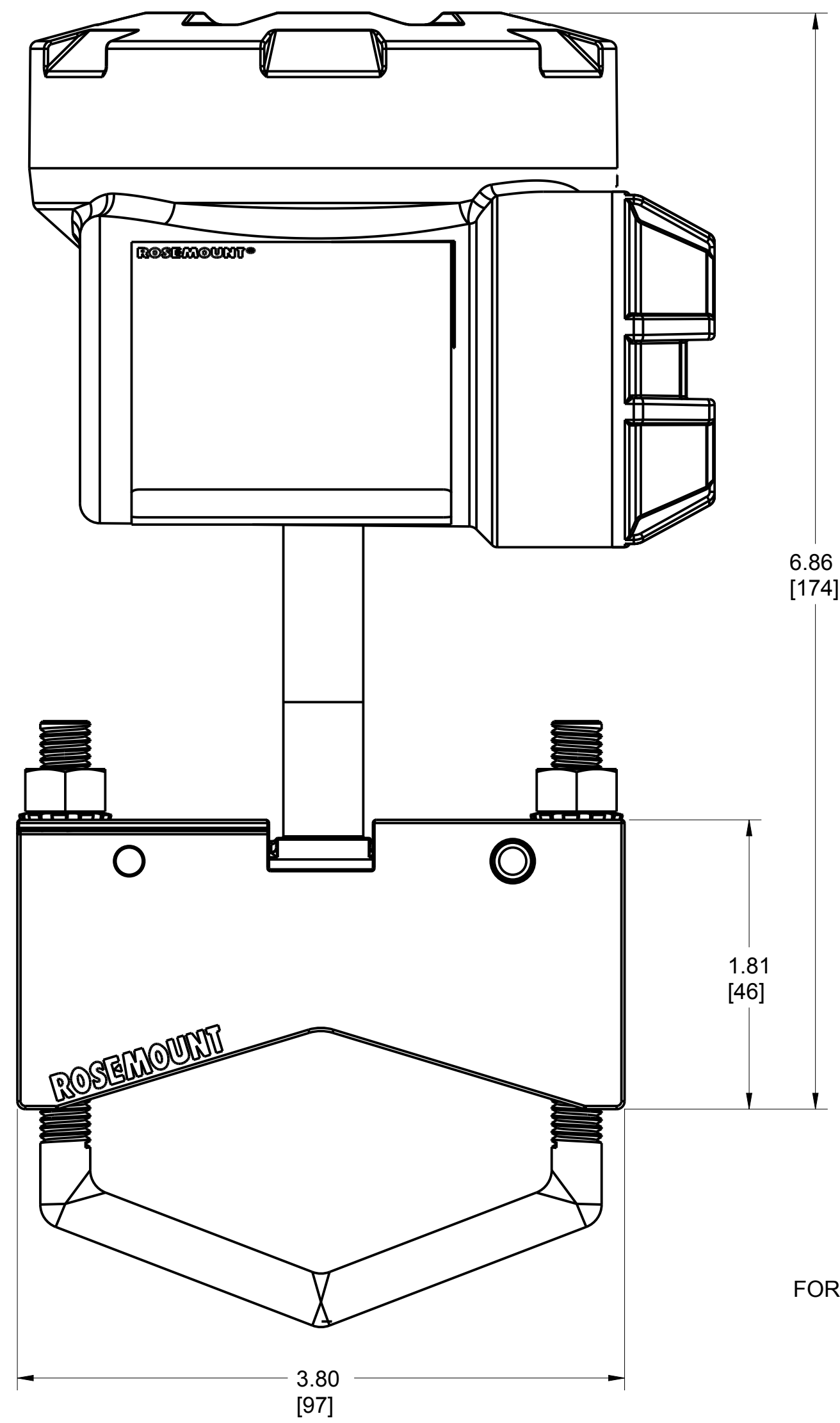
EMERSON

TITLE
**ROSEMOUNT 708
 TYPE I DRAWING**

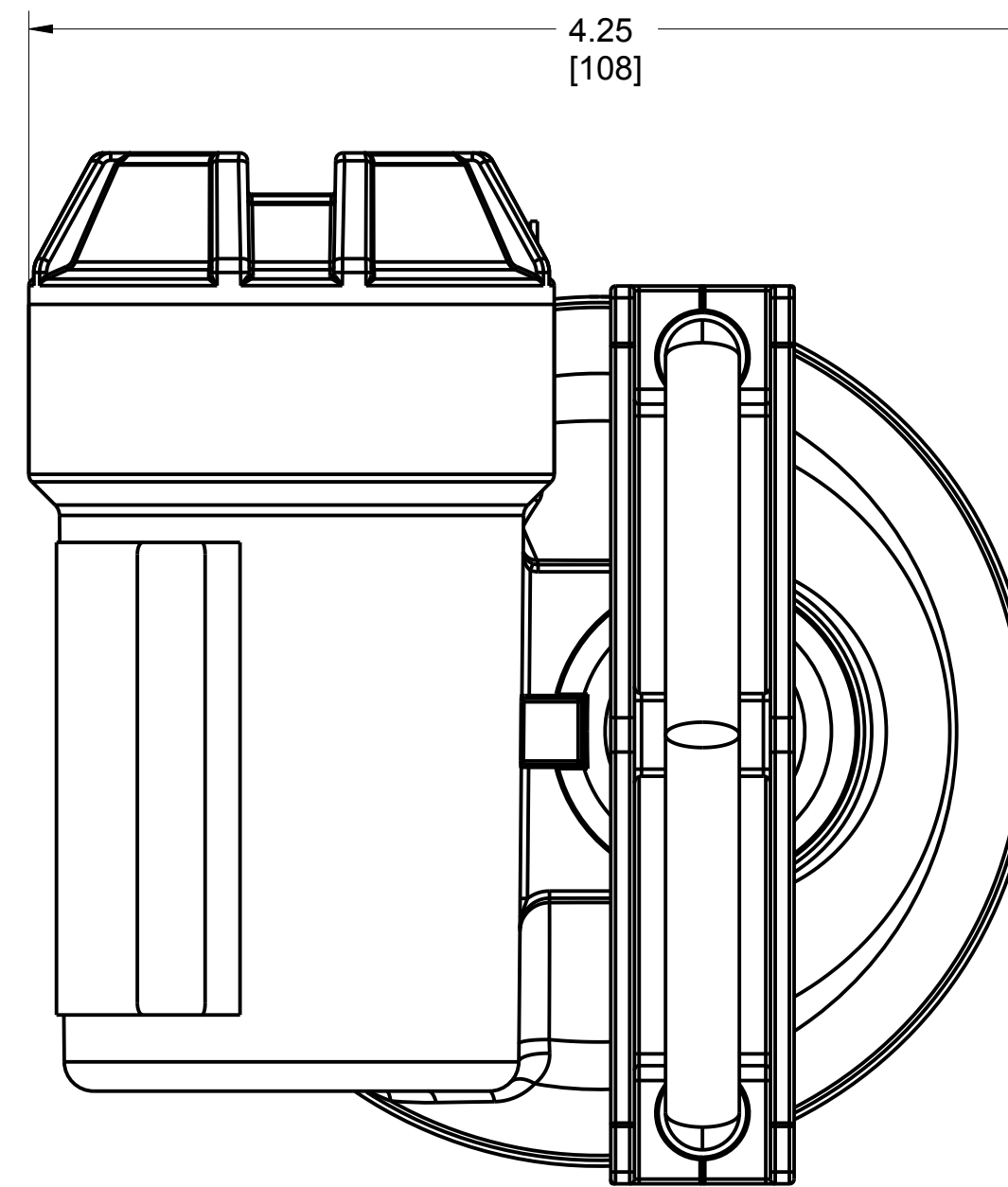
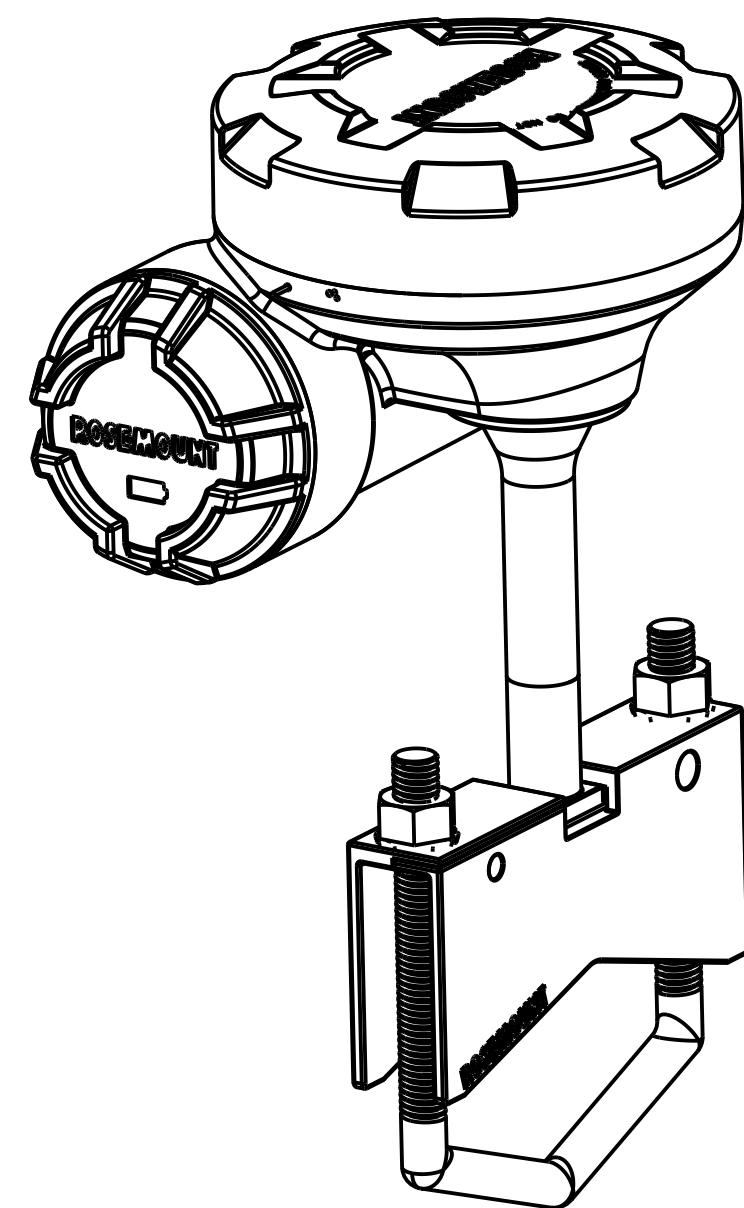
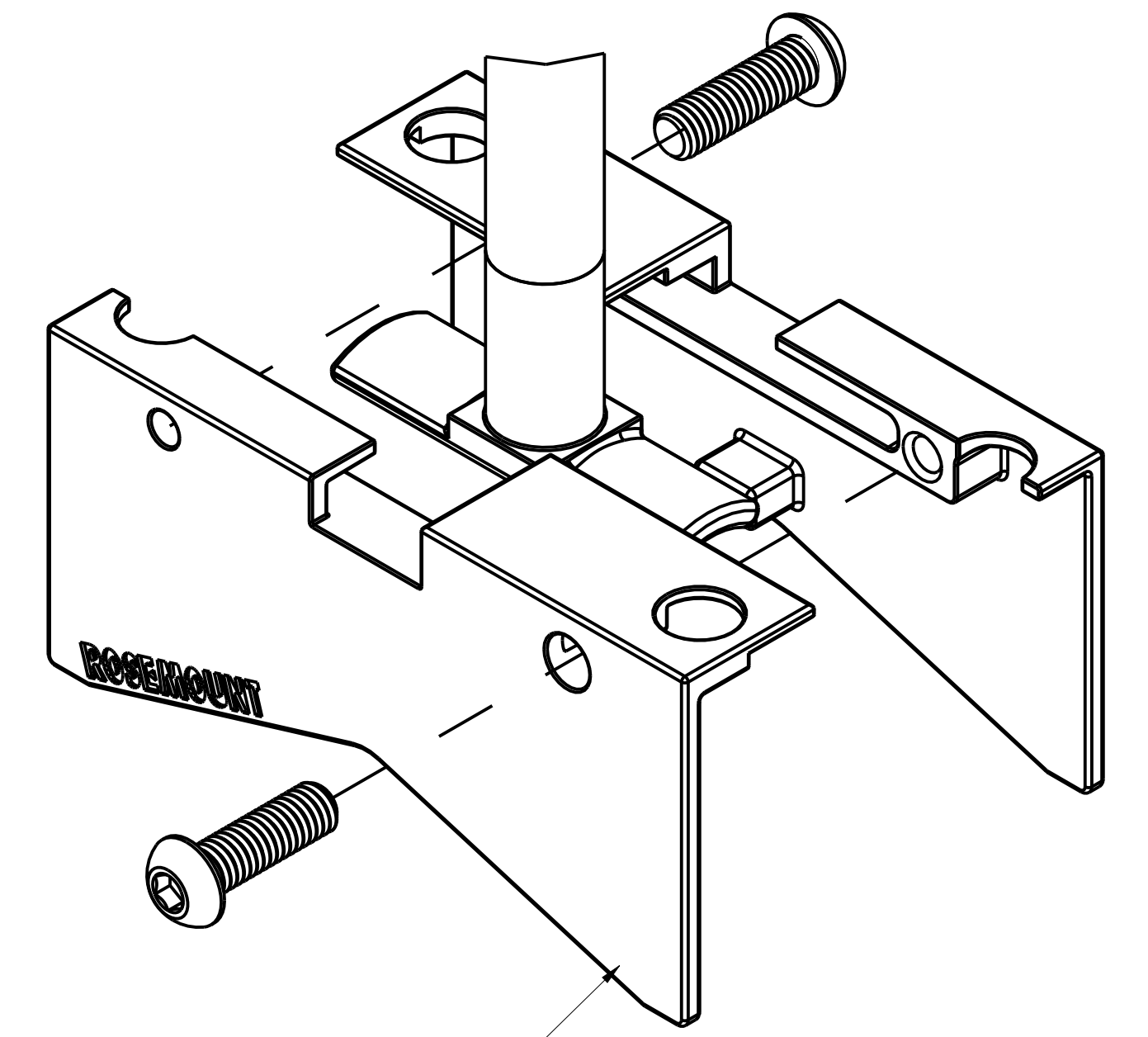
DR. J.ARMSTRONG	7/2/14	DRAWING NO.	00708-7000
APP'D R. LINDSEY	7/2/14		

CAD MAINTAINED, (PROE) SHEET 1 OF 2

ROSEMOUNT 708 ACOUSTIC TRANSMITTER WITH
STANDOFF AND FASTENER KIT



FOR PIPE SIZES .5" TO 2.5"



BRACKET MOUNTING

©2015 ROSEMOUNT INC.
ROSEMOUNT INC. CERTIFIES
THIS DRAWING IS MADE IN
ACCORDANCE WITH
ROSEMOUNT ENGINEERING
SPECIFICATIONS.
UNIT NOTES IN INCHES (mm).
REFERENCE ROSEMOUNT
PRODUCT SPECIFICATIONS.
CLICK HERE

EMERSON

TITLE
ROSEMOUNT 708
TYPE I DRAWING

DR. J. ARMSTRONG 7/2/14 DRAWING NO.
APP'D R. LINDSEY 7/2/14 00708-7000

CAD MAINTAINED, (PROE) SHEET 2 OF 2