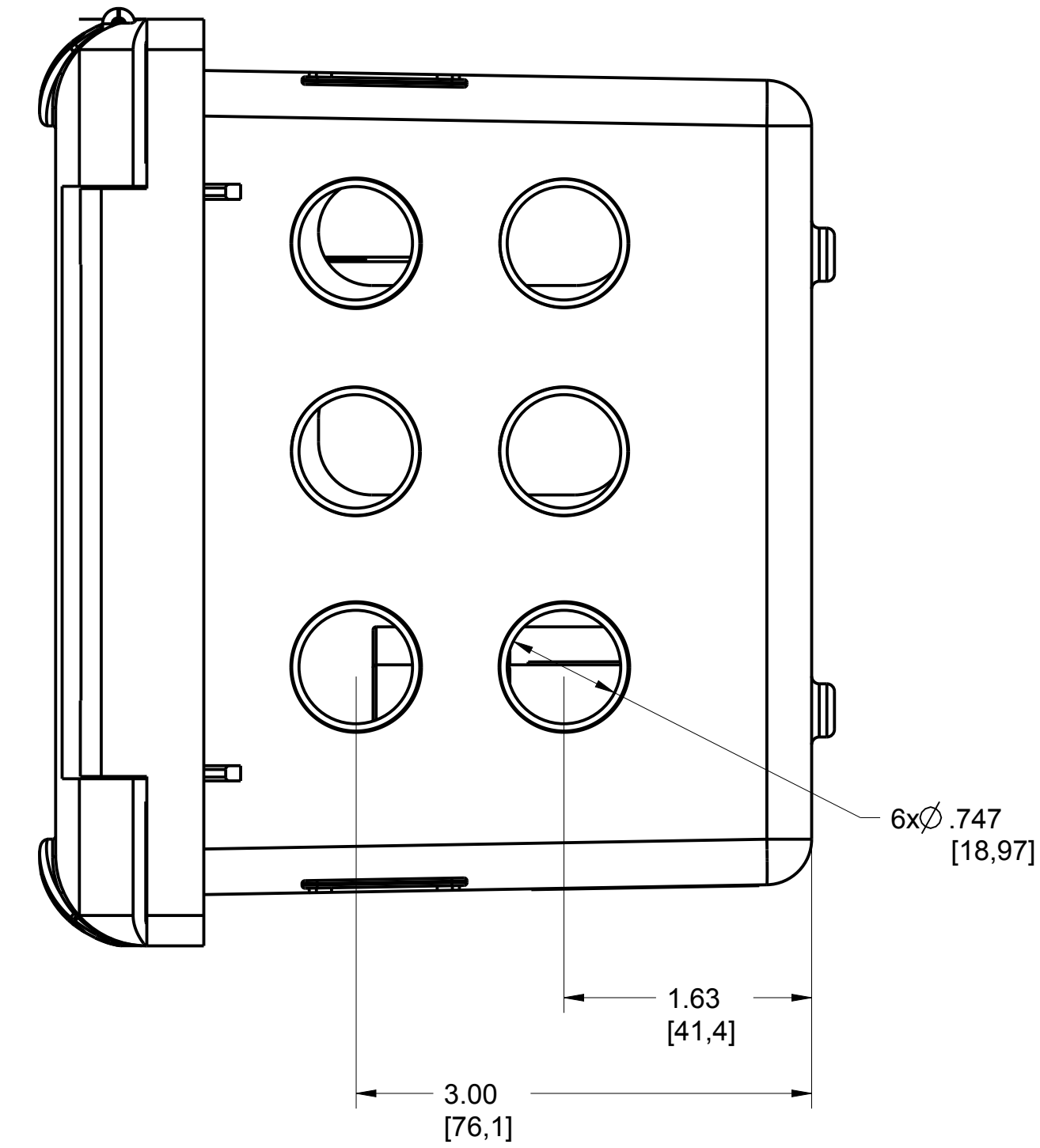
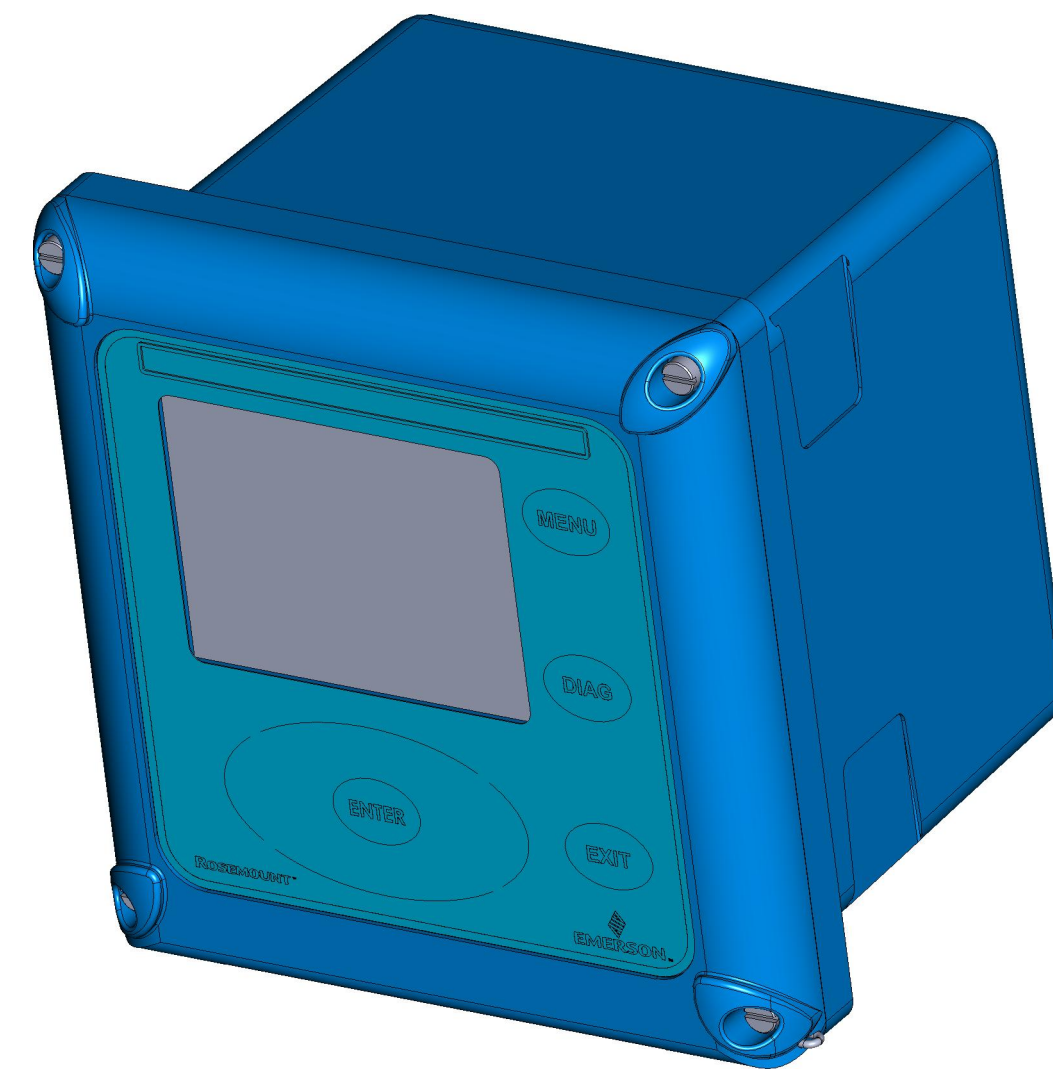
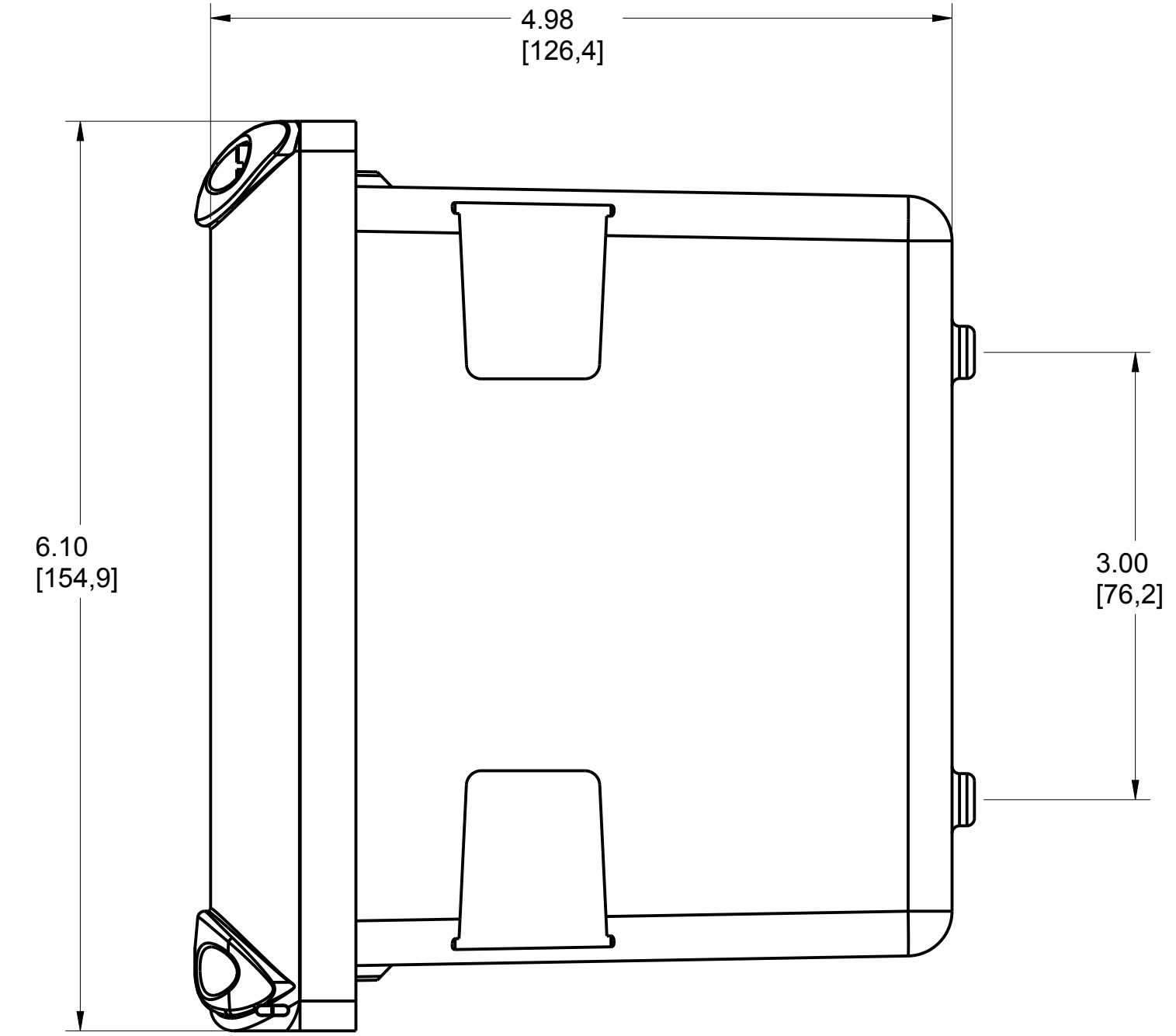
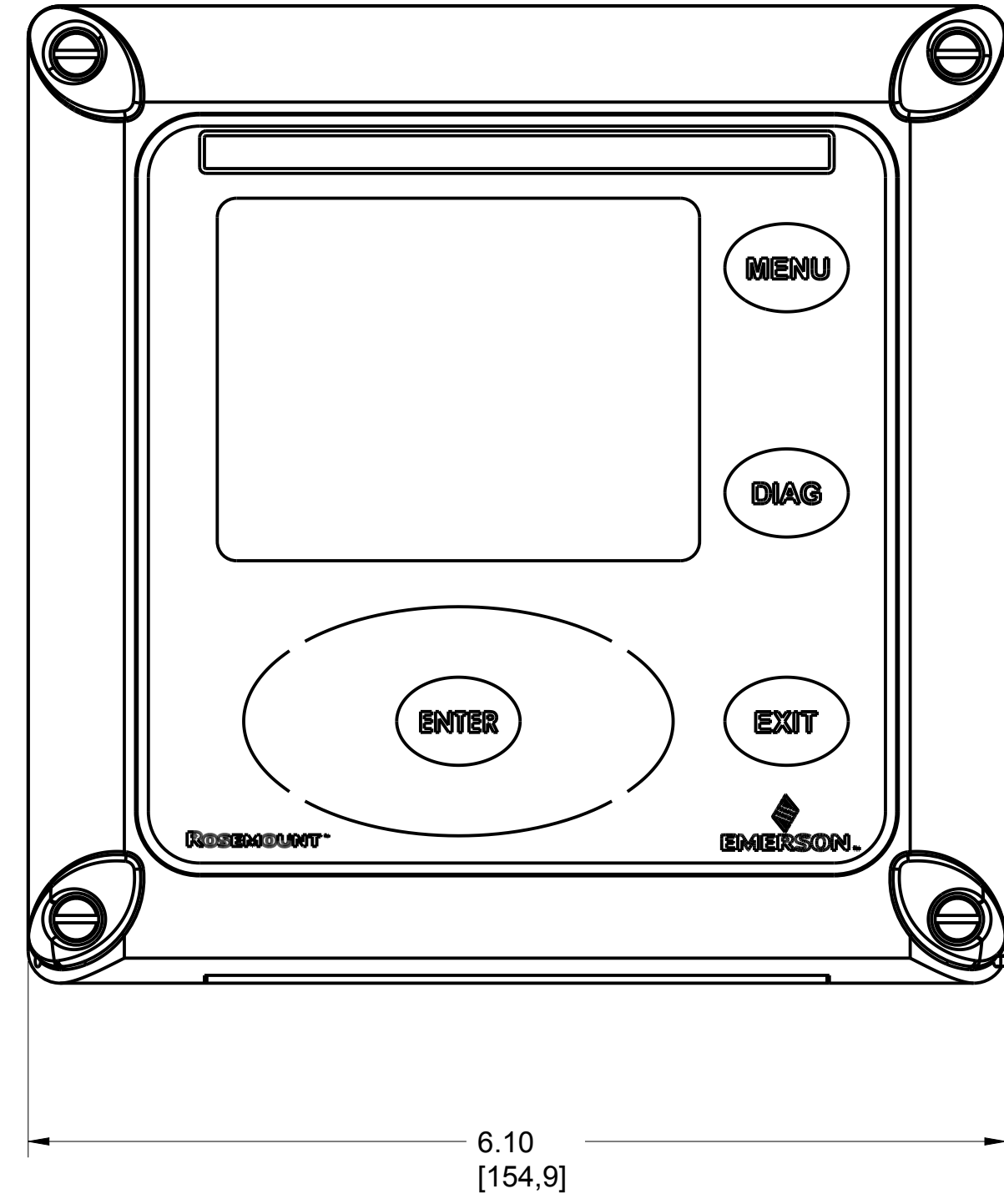


ROSEMOUNT MODEL 6888Xi ADVANCED ELECTRONICS

REVISION TABLE			
REVISION	ECO NO.	APP'D	DATE
AA	12073	j. sumsted	9/5/18
DESCRIPTION			
NEW RELEASE			

MOUNTING FLANGE



©2015 ROSEMOUNT INC.
ROSEMOUNT INC. CERTIFIES
THIS DRAWING IS MADE IN
ACCORDANCE WITH
ROSEMOUNT ENGINEERING
SPECIFICATIONS.
UNIT NOTES IN INCHES (mm).
REFERENCE ROSEMOUNT
PRODUCT SPECIFICATIONS.
CLICK HERE

3RD ANGLE

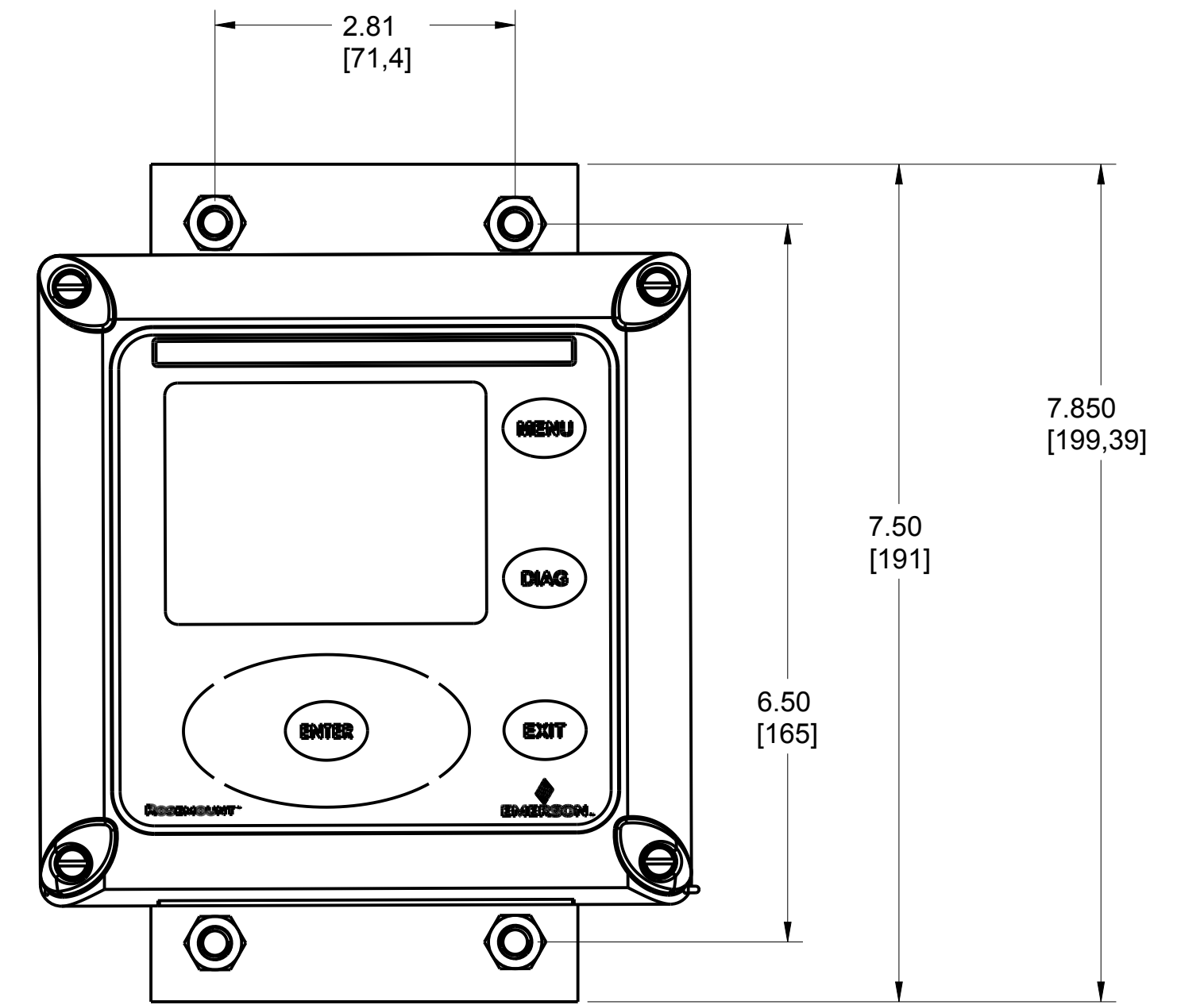
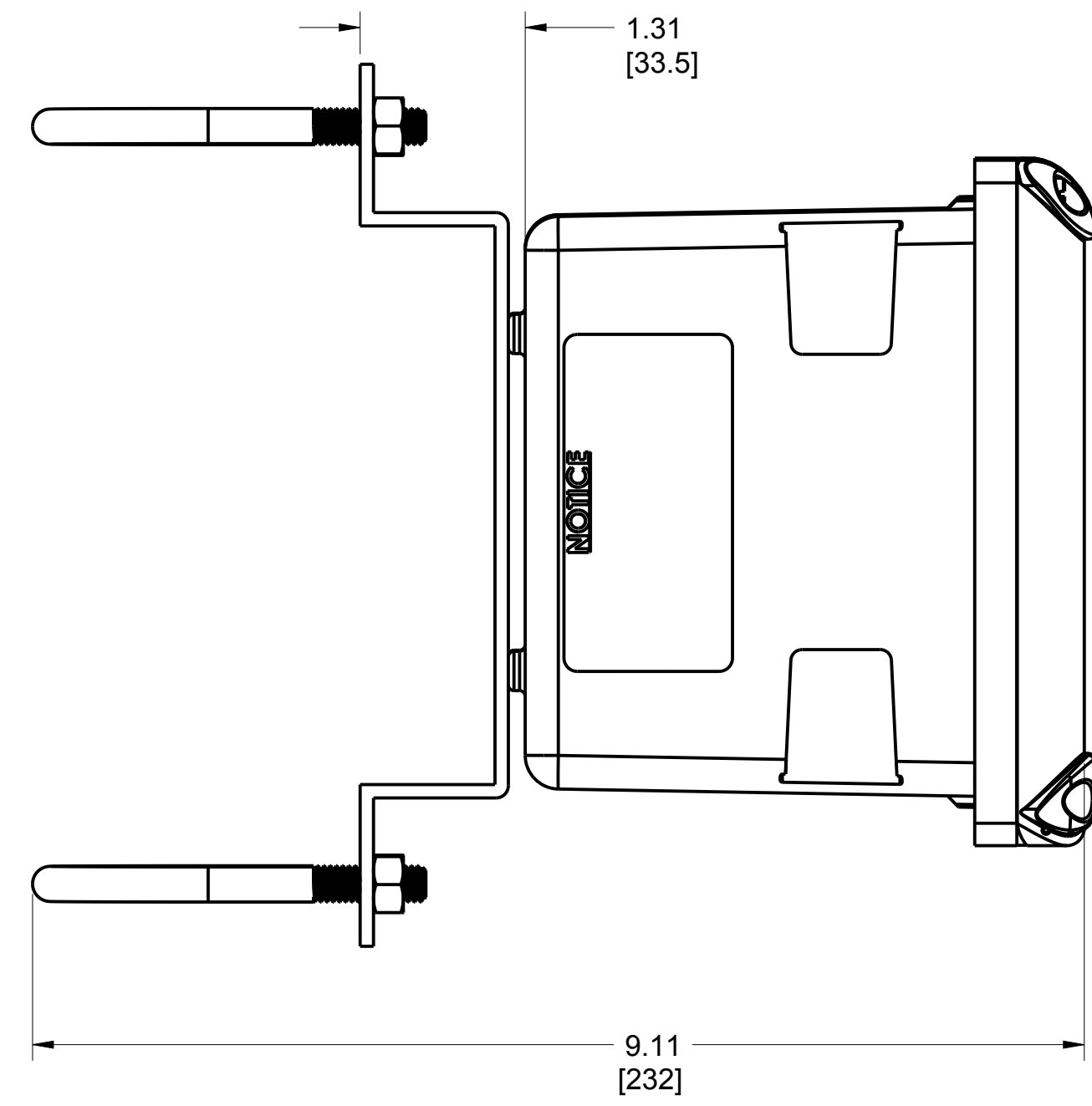
EMERSON

ROSEMOUNT 6888Xi TRANSMITTER
TYPE I DRAWING

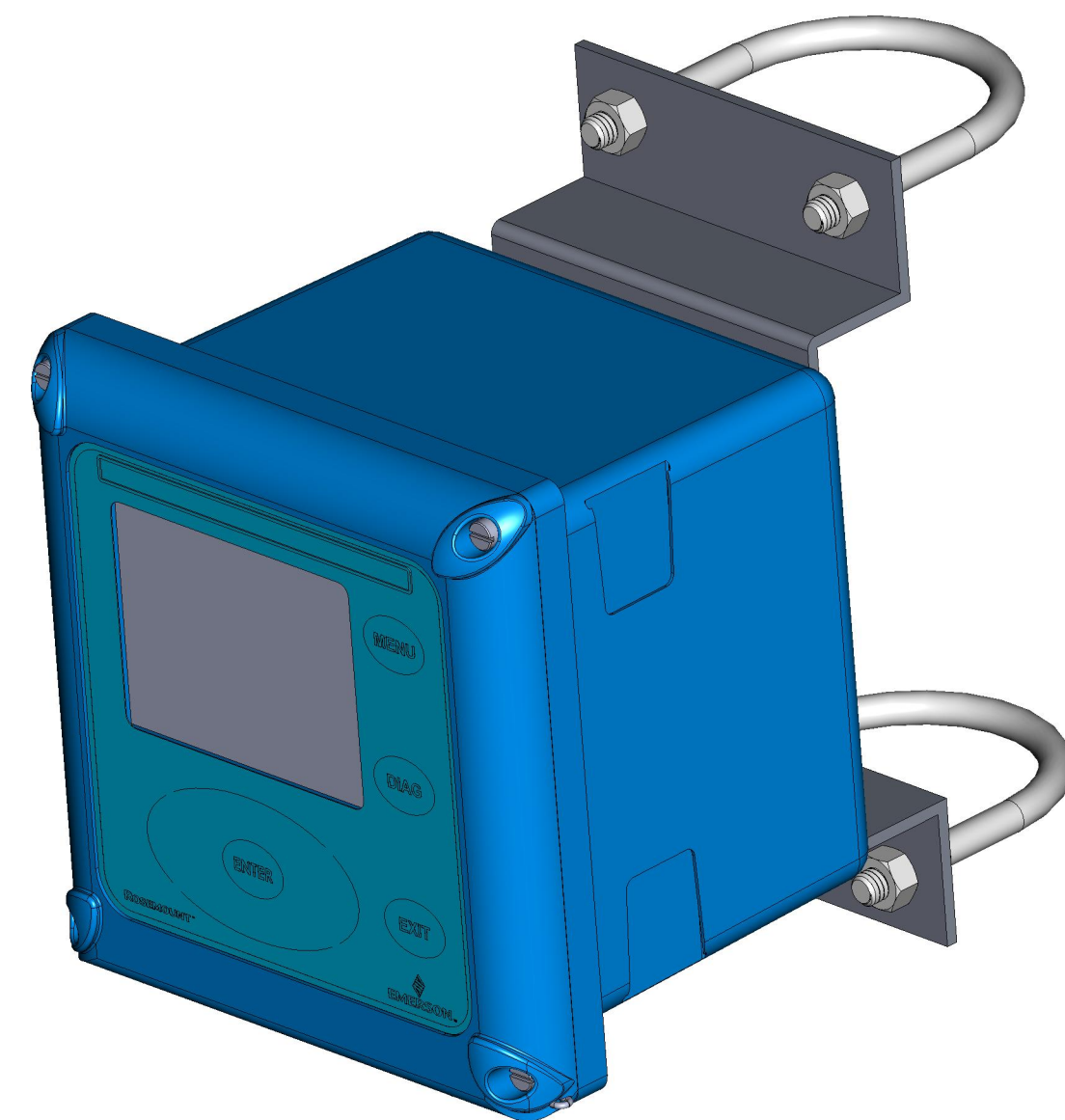
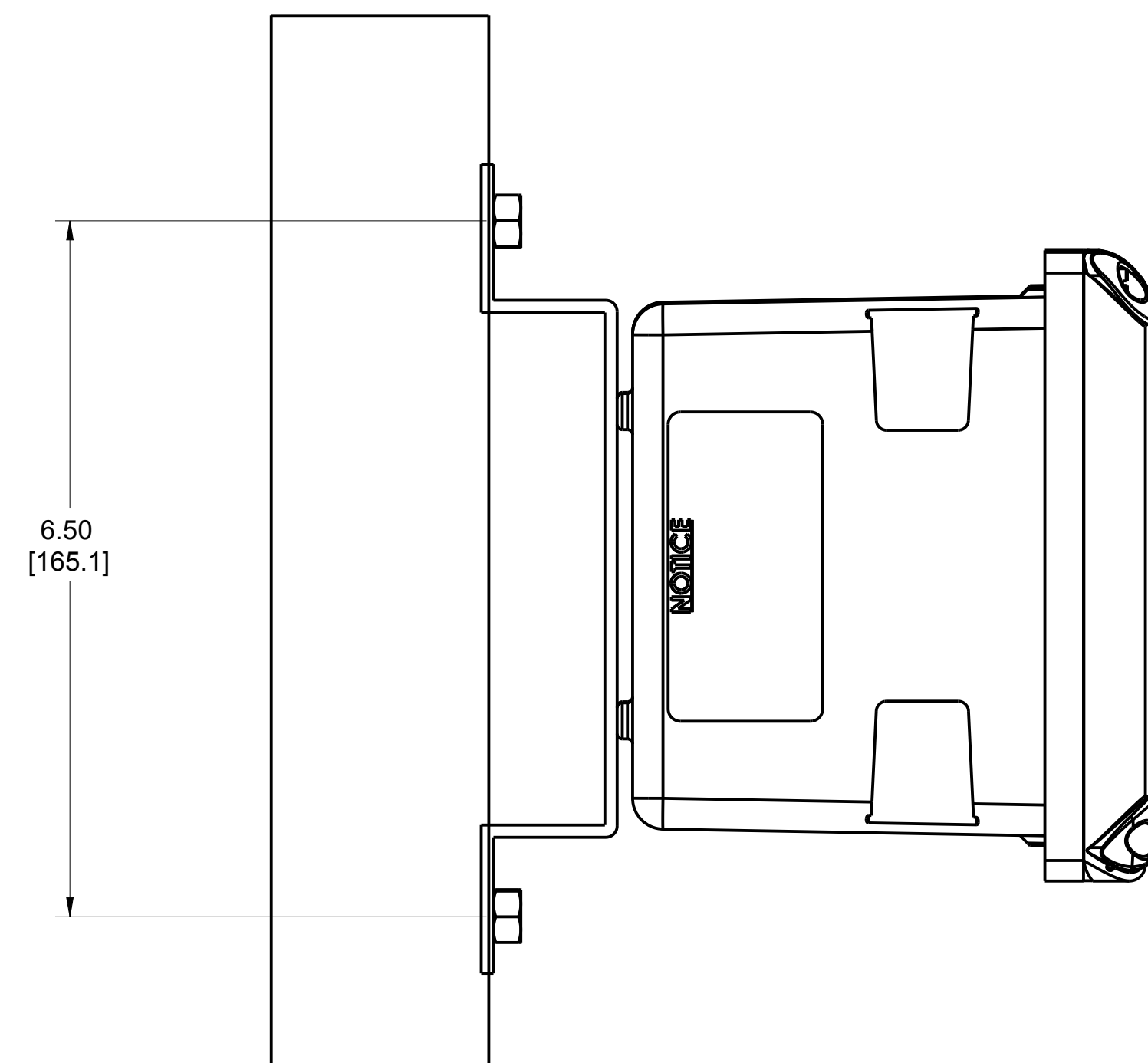
DR. J.ARMSTRONG	9/5/18	DRAWING NO.	06888-7002
APP'D J.SUMSTED	9/5/18		
CAD MAINTAINED, (PROE)		SHEET 1 OF 2	

ROSEMOUNT MODEL 6888Xi ADVANCED ELECTRONICS

PIPE MOUNT



WALL MOUNT



©2015 ROSEMOUNT INC.
 ROSEMOUNT INC. CERTIFIES
 THIS DRAWING IS MADE IN
 ACCORDANCE WITH
 ROSEMOUNT ENGINEERING
 SPECIFICATIONS.
 UNIT NOTES IN INCHES (mm).
 REFERENCE ROSEMOUNT
 PRODUCT SPECIFICATIONS.
 CLICK HERE

3RD ANGLE

SIZE D SCALE NTS

EMERSON

**ROSEMOUNT 6888XI TRANSMITTER
 TYPE I DRAWING**

DR. J.ARMSTRONG	9/5/18	DRAWING NO.	
APPD J.SUMSTED	9/5/18		06888-7002
CAD MAINTAINED, (PROE)		SHEET 2 OF 2	