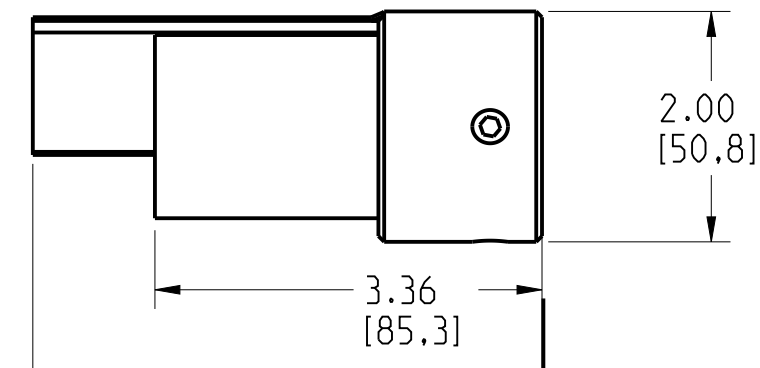


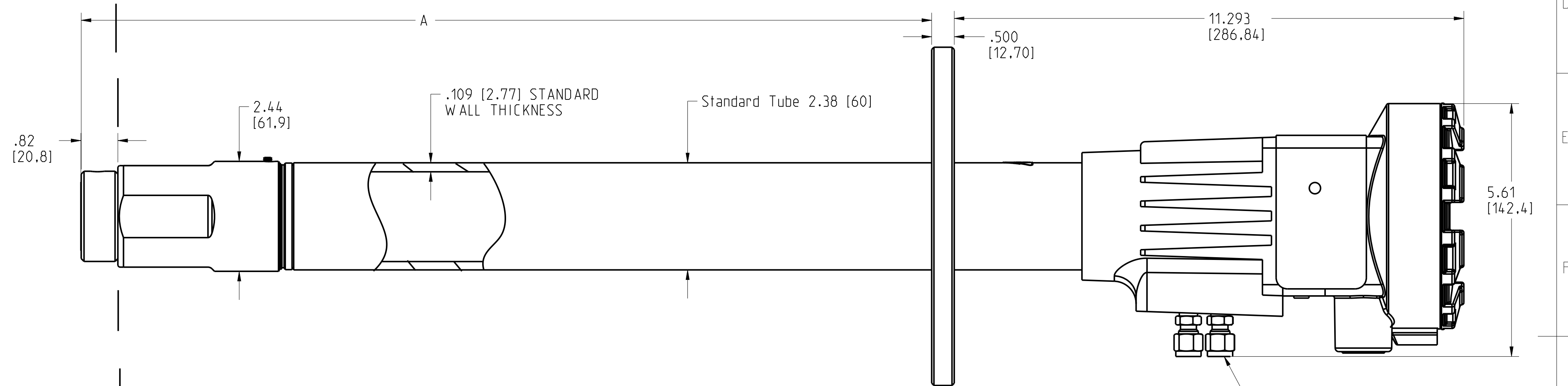
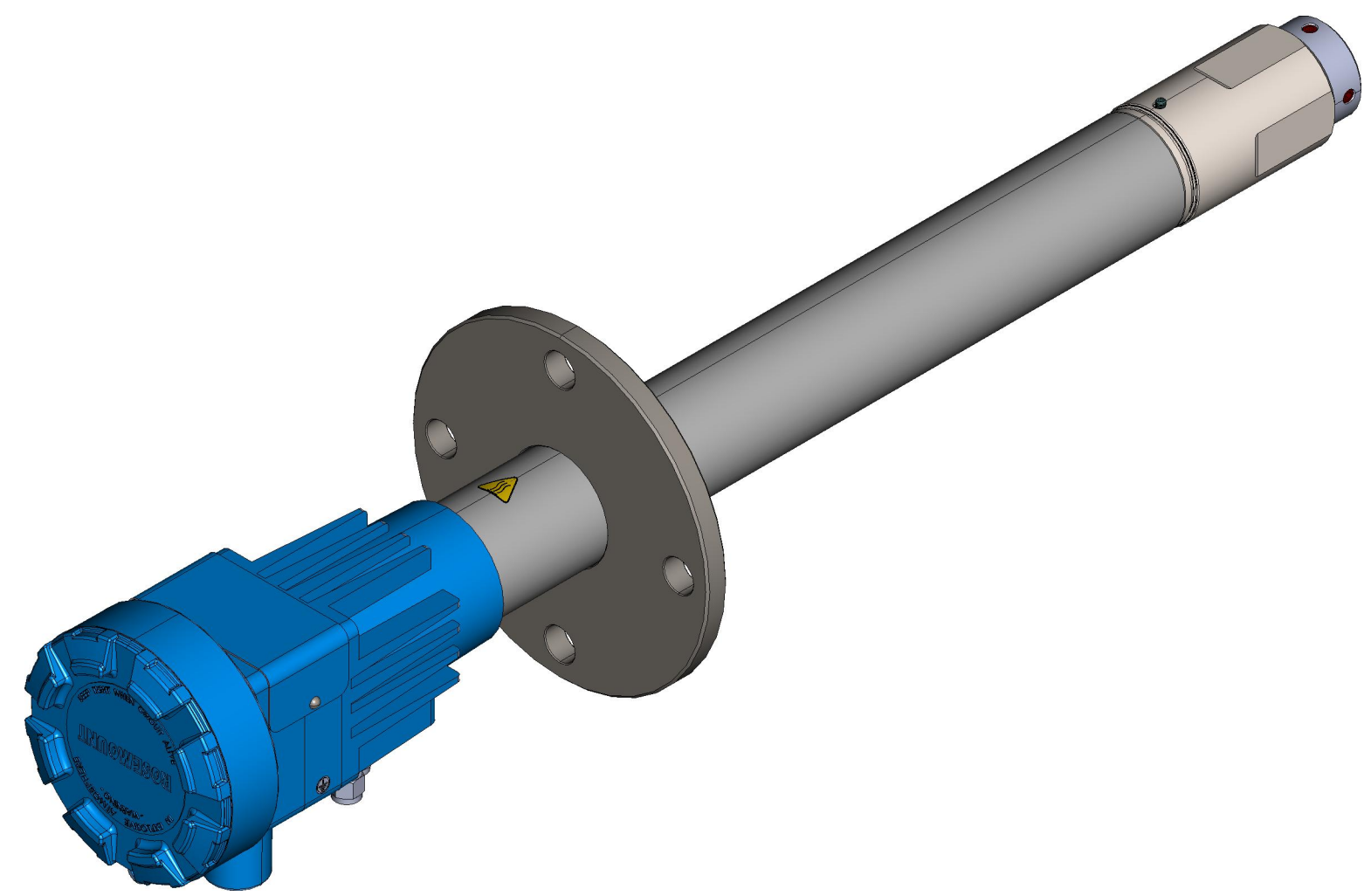
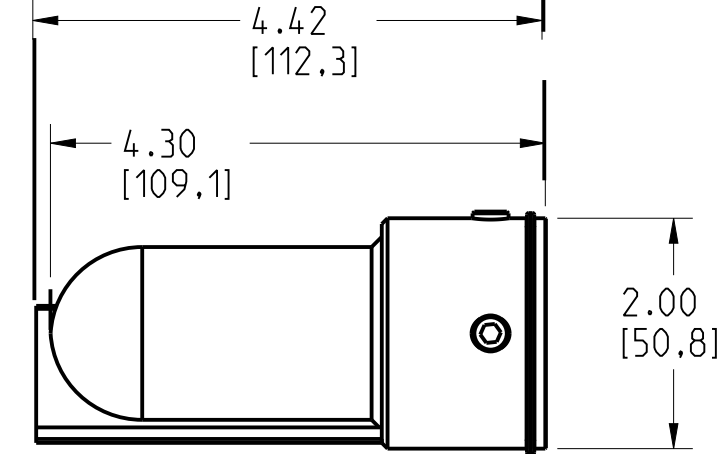
# ROSEMOUNT MODEL 6888C OXYGEN PROBE STANDARD HOUSING

REVISION TABLE			
REVISION	ECO NO.	APP'D	DATE
AB	12714	J SUMSTED	7/25/20
DESCRIPTION			
UPDATE DIMENSIONS			

HASTELLOY DIFFUSER

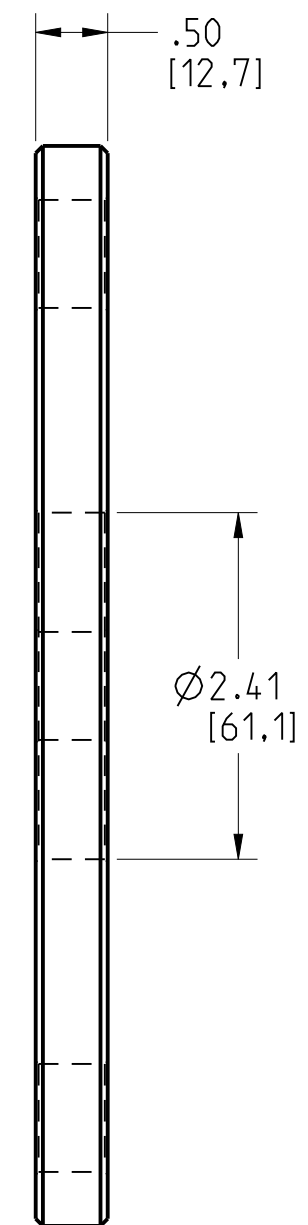
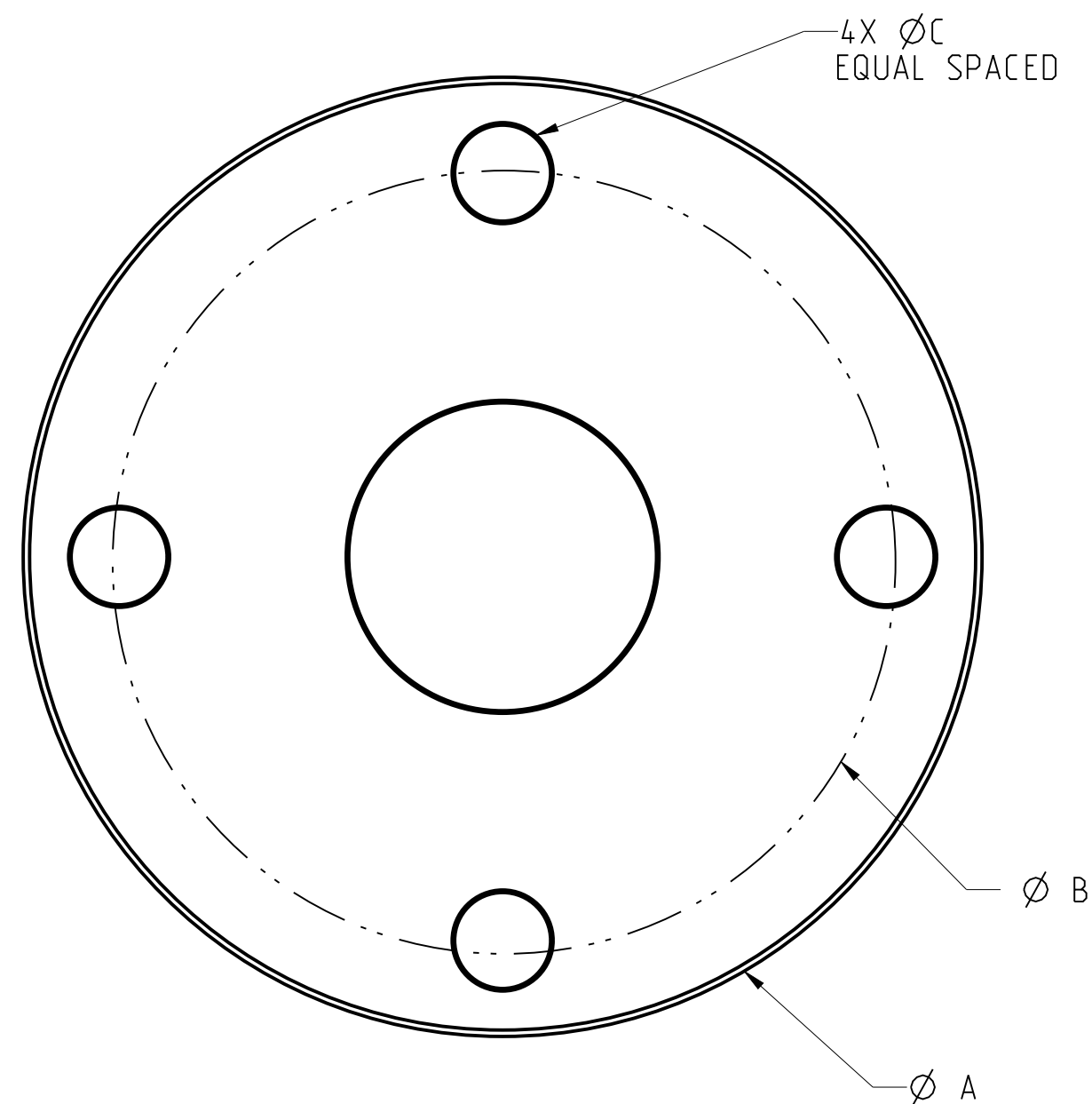


CERAMIC DIFFUSER

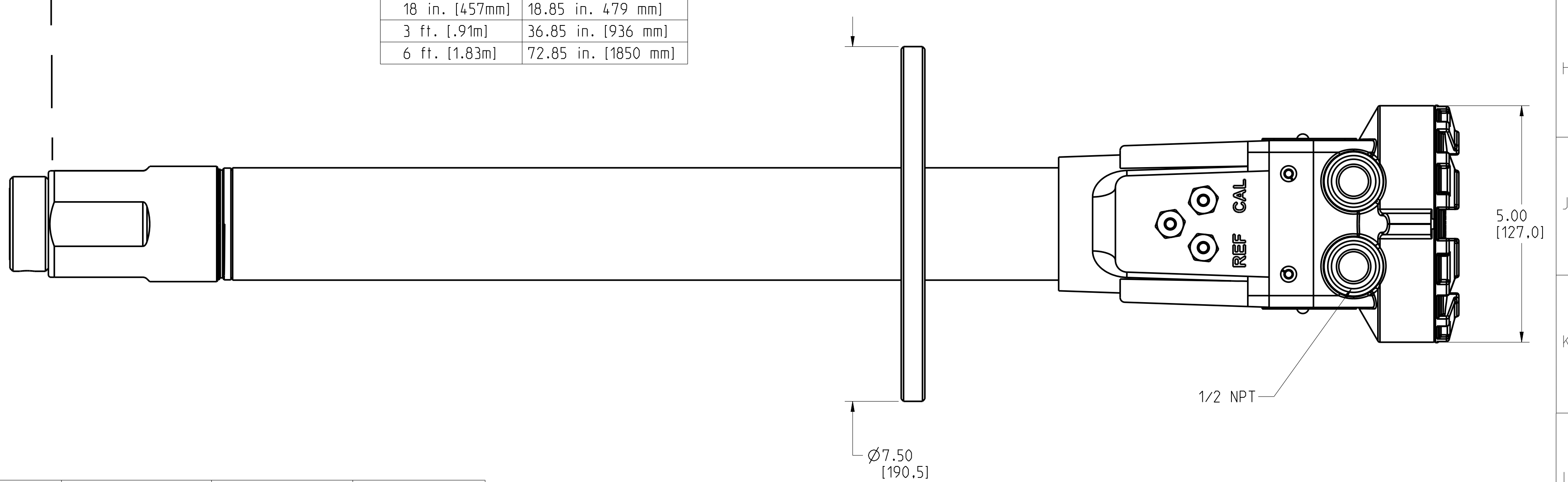


Probe Length	Dim A Insertion Depth
18 in. [457mm]	18.85 in. [479 mm]
3 ft. [91m]	36.85 in. [936 mm]
6 ft. [1.83m]	72.85 in. [1850 mm]

PROBE FLANGE (FITS 3" ANSI AND DN FLANGE)



PART NO.	DIA "A"	DIA "B"	DIA "C"
ANSI	7.50 [190.5]	6.00 [152.4]	0.75 [19.05]
DIN	8.25 [209.55]	6.70 [170.18]	0.71 [18.03]



©2015 ROSEMOUNT, INC. ROSEMOUNT AND CERAMIC are trademarks of Rosemount Engineering. ALL RIGHTS RESERVED. THIS DRAWING IS THE PROPERTY OF ROSEMOUNT ENGINEERING. UNLESS OTHERWISE SPECIFIED, DIMENSIONS ARE IN INCHES (MILLIMETERS). REFER TO THE ROSEMOUNT WEBSITE FOR THE LATEST PRODUCT SPECIFICATIONS. CLICK HERE

**EMERSON**

TITLE: ROSEMOUNT 6888C TYPE I DRAWING

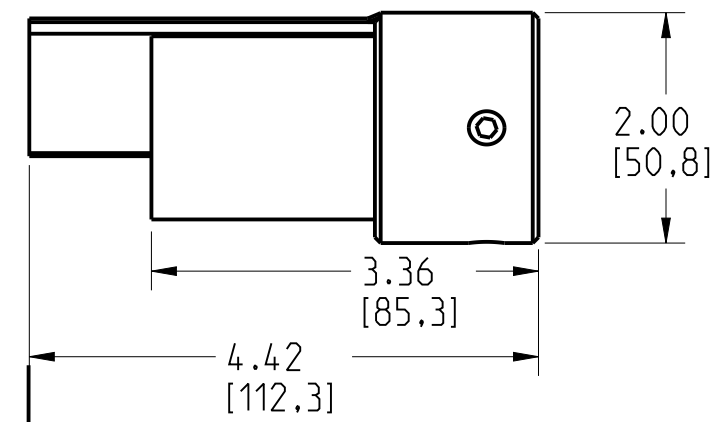
DR. J. ARMSTRONG 8/16/18 DRAWING NO. 06888-7001

APP'D J SUMSTED 8/16/18

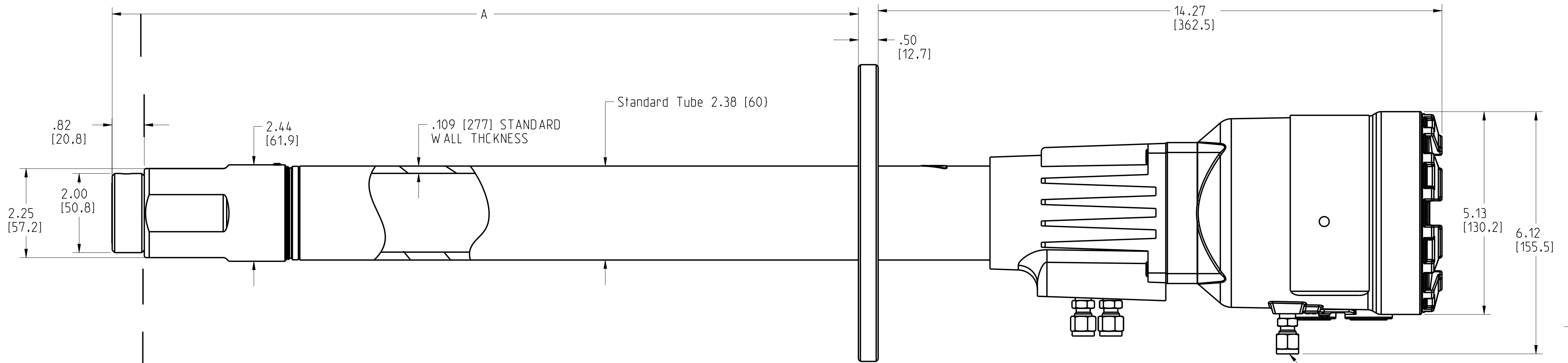
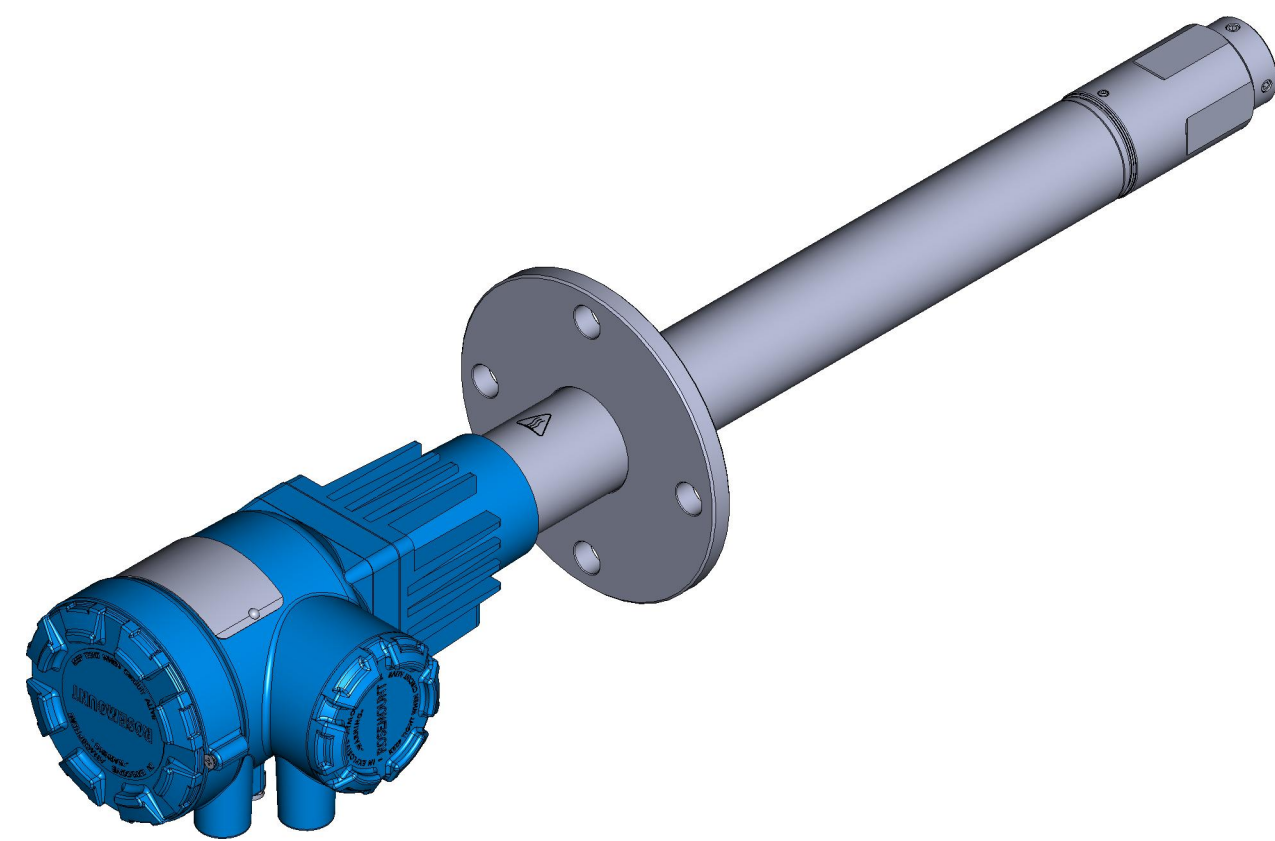
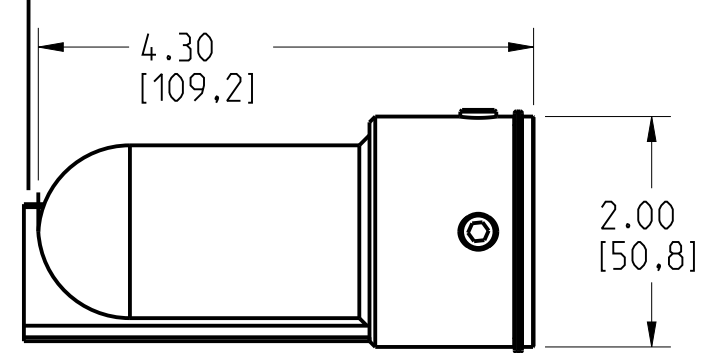
CAD MAINTAINED (PRO/E) SHEET 1 OF 3

# ROSEMOUNT MODEL 6888C OXYGEN PROBE AUTOCAL HOUSING

HASTELLOY DIFFUSER

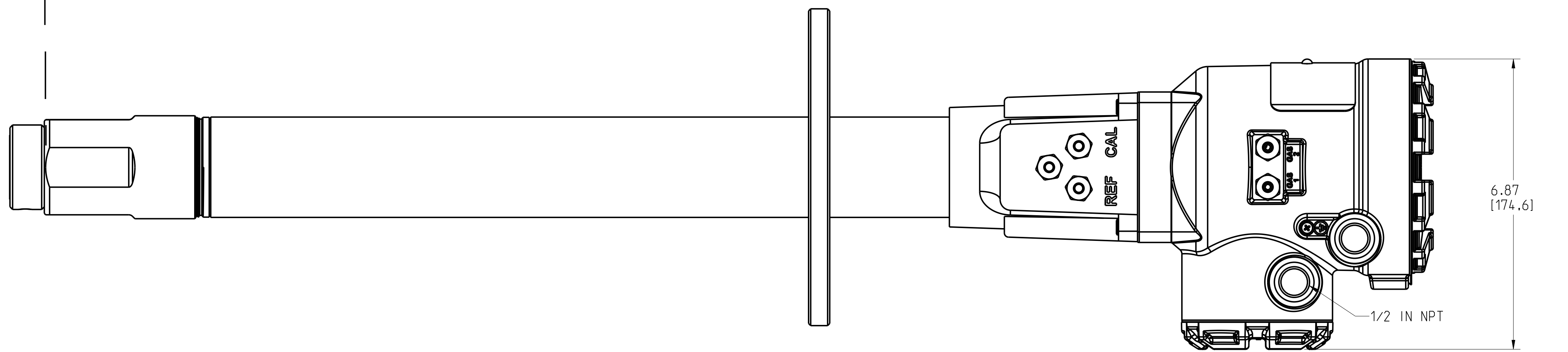
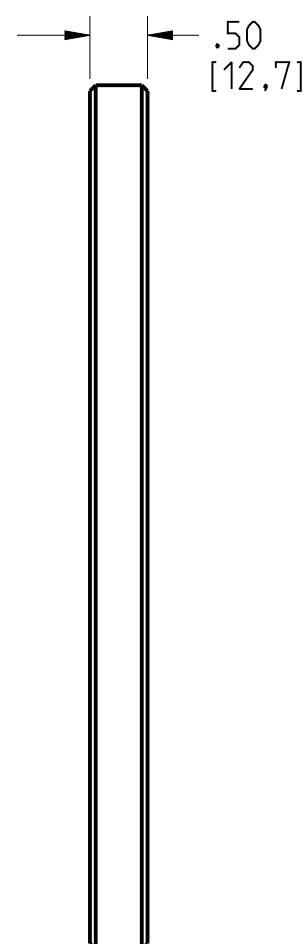
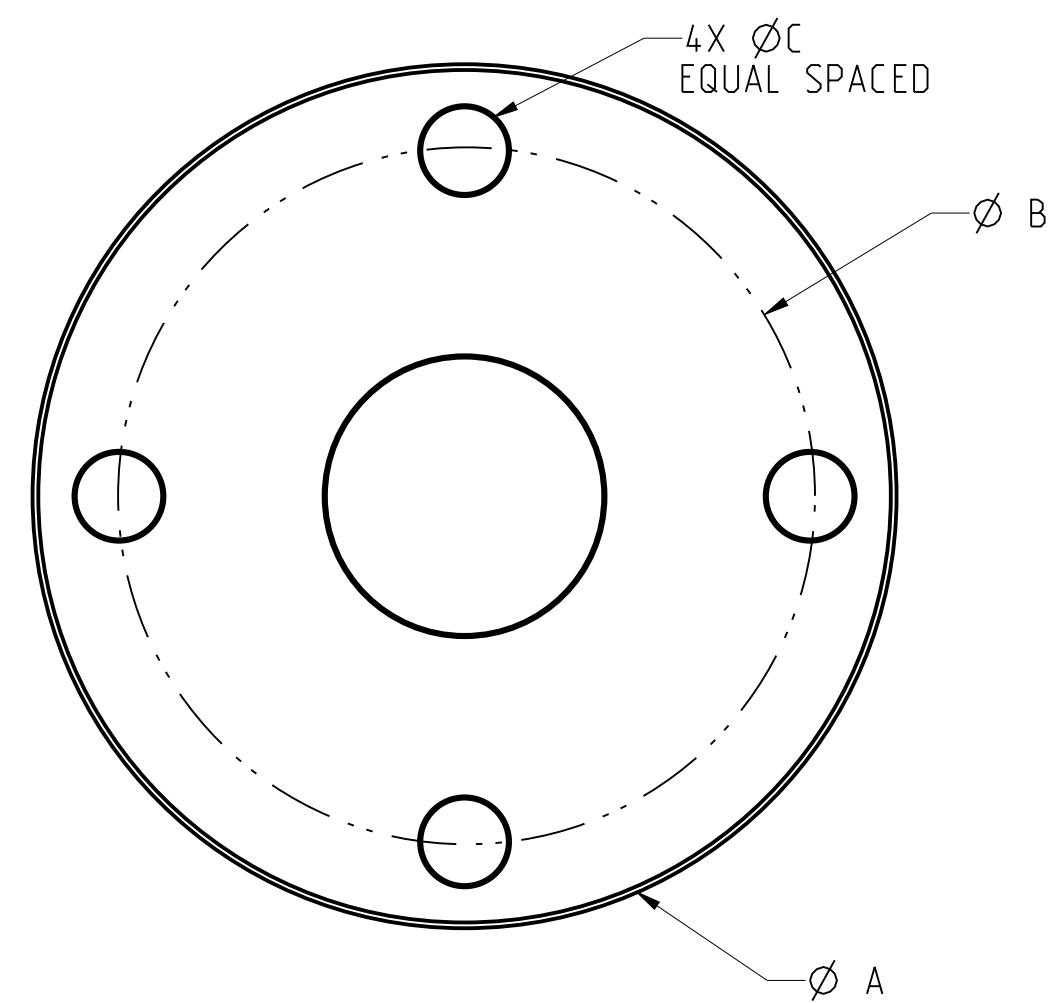


CERAMIC DIFFUSER



Probe Length	Dim A Insertion Depth
18 in. [457mm]	18.85 in. [479 mm]
3 ft. [91m]	36.85 in. [936 mm]
6 ft. [1.83m]	72.85 in. [1850 mm]

PROBE FLANGE (FITS 3" ANSI AND DN FLANGE)



PART NO.	DIA "A"	DIA "B"	DIA "C"
ANSI	7.50 [190.5]	6.00 [152.4]	0.75 [19.05]
DIN	8.25 [209.55]	6.70 [170.18]	0.71 [18.03]

©2015 ROSEMOUNT, INC. ROSEMOUNT, INC. ACCEPTS THE ACCURACY OF THIS DRAWING IN ACCORDANCE WITH ROSEMOUNT ENGINEERING SPECIFICATIONS. UNIT NOTES IN INCHES (mm).

REFERENCE ROSEMOUNT PRODUCT SPECIFICATIONS. CLICK HERE

EMERSON

TITLE ROSEMOUNT 6888C TYPE I DRAWING

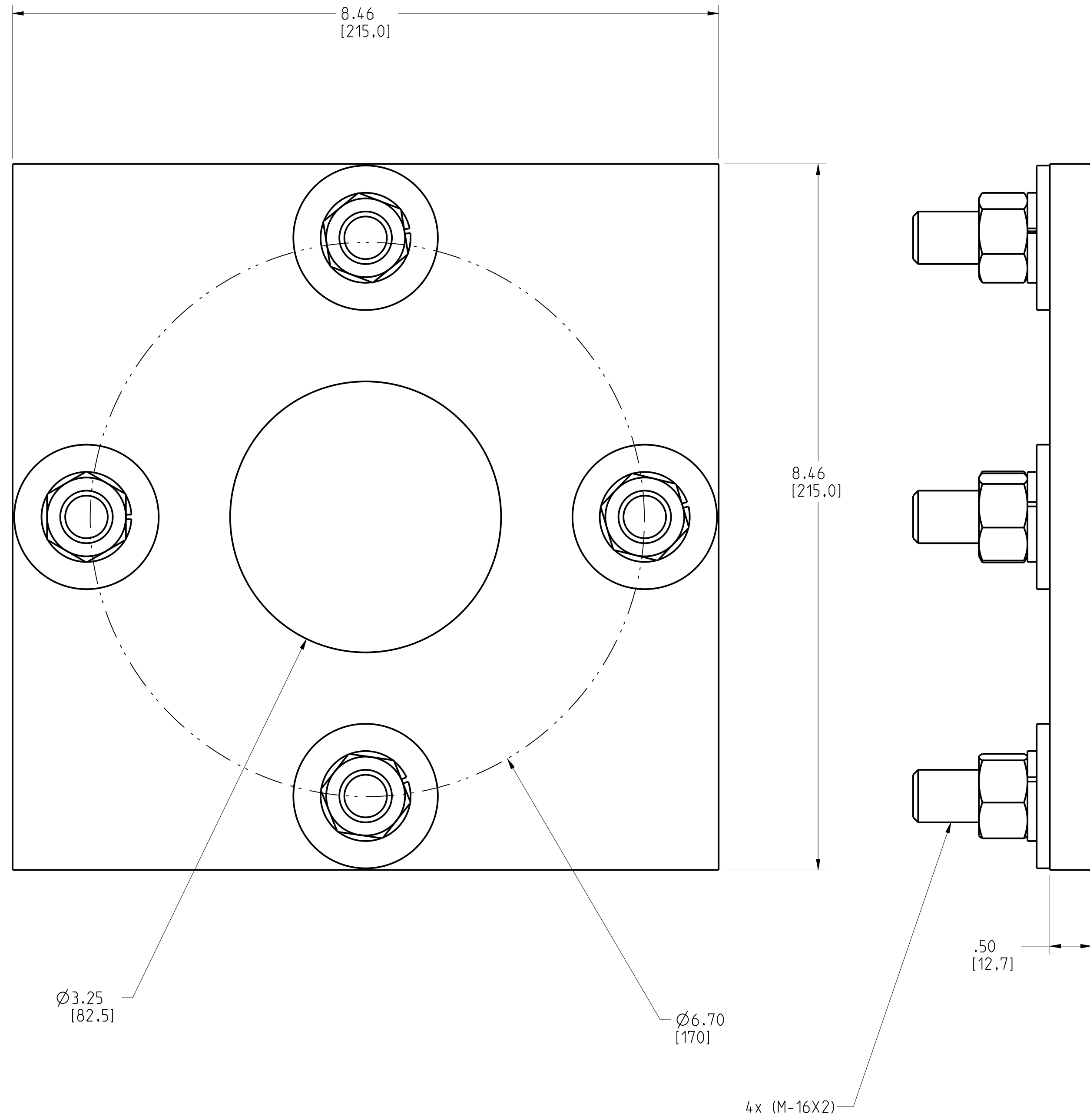
DR. J. ARMSTRONG 8/16/18 DRAWING NO. 06888-7001

APP'D J. SUMSTED 8/16/18

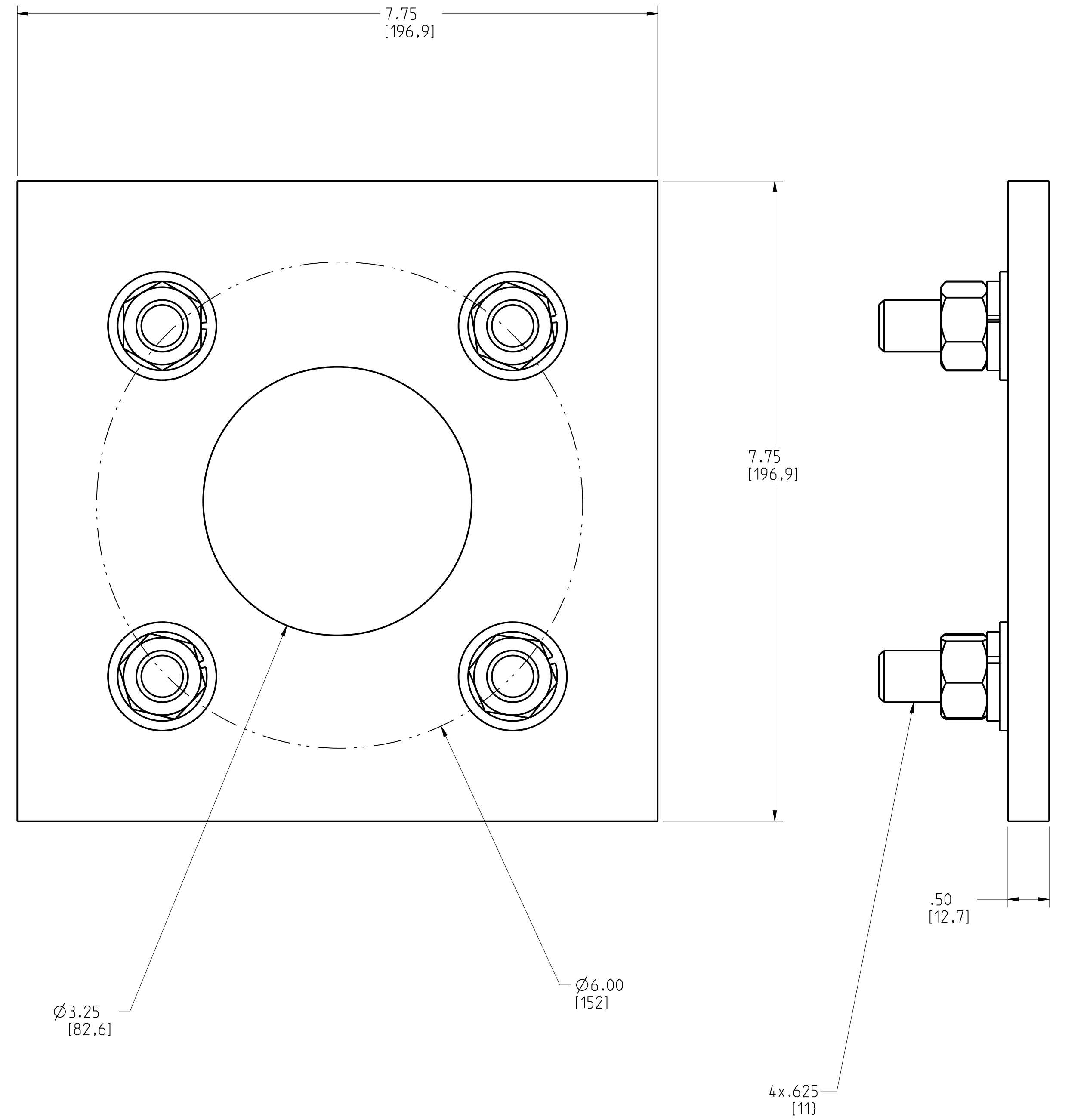
CAD MAINTAINED (PRO/E) SHEET 2 OF 3

ROSEMOUNT MODEL 6888C DIN WELD PLATE AND ANSI WELD PLATE

WELD PLATE FOR 3" DN FLANGE



WELD PLATE FOR 3" ANSI FLANGE



©2015 ROSEMOUNT, INC.  
ROSEMOUNT AND ALL OTHER  
TRADEMARKS ARE REGISTERED IN  
THESE DRAWINGS AND SHALL BE  
USED IN ACCORDANCE WITH  
ROSEMOUNT ENGINEERING  
PRODUCT SPECIFICATIONS.  
UNIT NOTES IN INCHES (mm).

REFERENCE ROSEMOUNT  
PRODUCT SPECIFICATIONS FOR  
PRODUCT SPECIFICATIONS.  
CLICK HERE

3RD ANGLE

EMERSON

TITLE  
ROSEMOUNT 6888C  
TYPE I DRAWING

DR. J. ARMSTRONG 8/16/18 DRAWING NO.  
APP'D J. SUMSTED 8/16/18

06888-7001

CAD MAINTAINED (PRO/E) SHEET 3 OF 3