

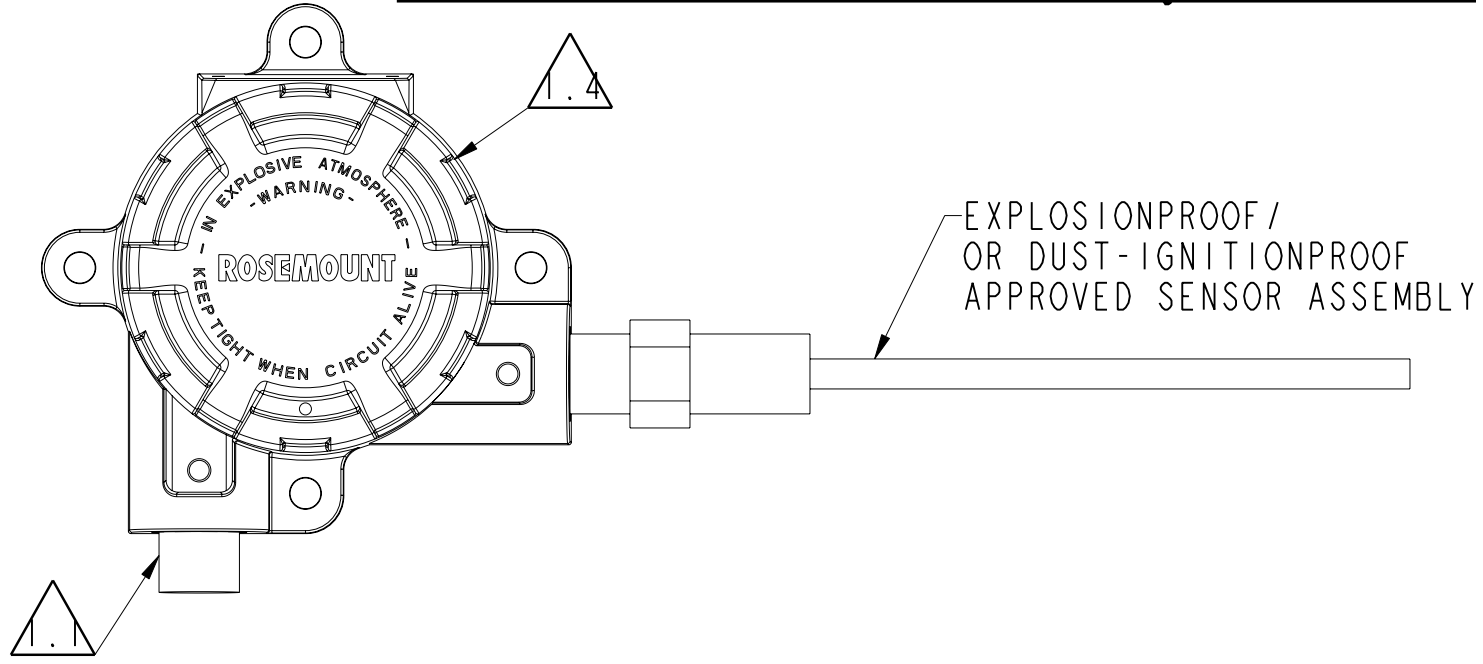
FOR INSTALLATION IN CANADA

HAZARDOUS (CLASSIFIED) LOCATION

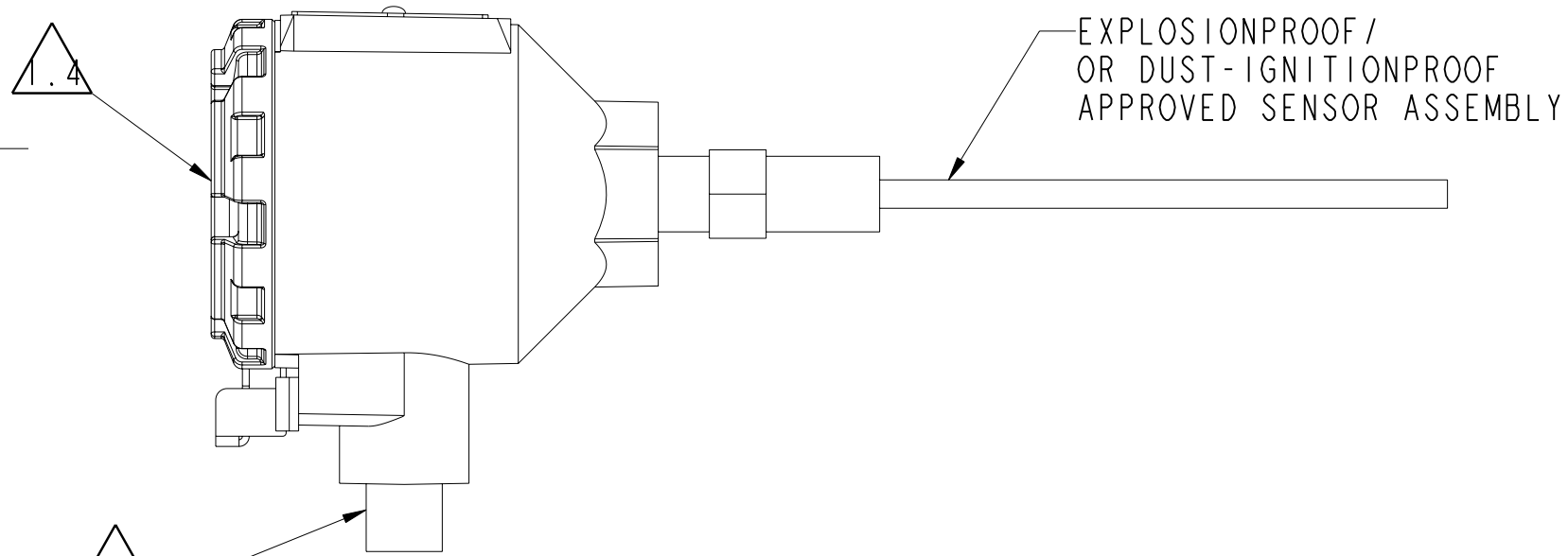
EXPLOSION PROOF FOR CLASS I, DIV. 1, GROUPS B, C, D \triangle .4
 CLASS I, ZONE 1, (IIB + H2), T5
 DUST-IGNITION PROOF FOR CLASS III/ IIII, DIV. 1, GROUPS E, F, G:
 SUITABLE FOR CLASS I, DIV. 2, GROUPS A, B, C, D; TEMP CODE T5 OR T4
 AMBIENT TEMPERATURE LIMITS: -50°C TO +85°C.

| REVISION TABLE | | | |
|--|------------|-------|--------|
| REVISION | ECO NO. | APP'D | DATE |
| AL | RTC1071216 | MK | 8/9/18 |
| DESCRIPTION | | | |
| Update flag notes. Combined several drawings for agency. | | | |

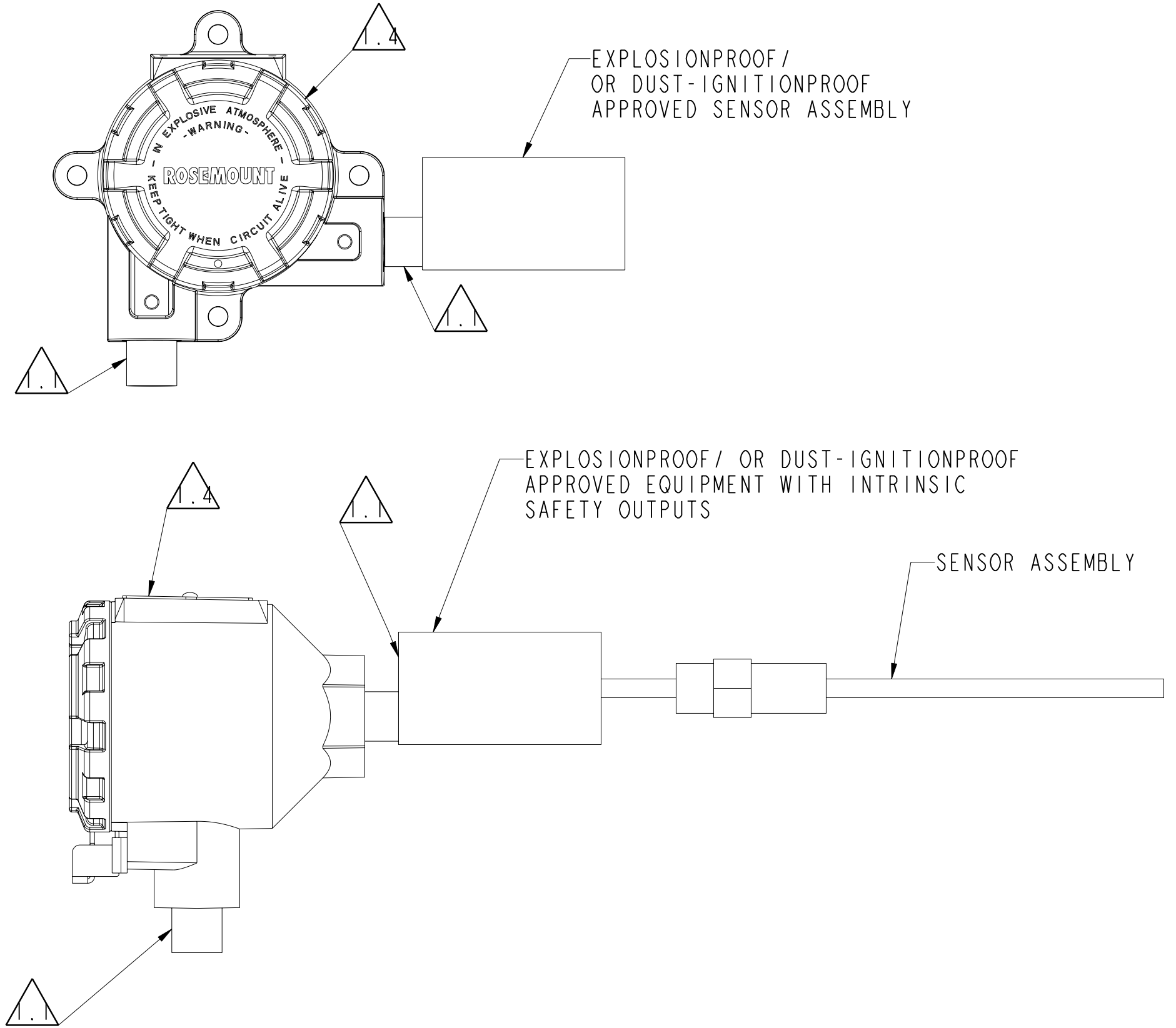
UNIVERSAL JUNCTION BOX, 2 ENTRY



ROSEMOUNT CONNECTION HEAD, 2 ENTRY



DIRECT MOUNT SENSOR CONFIGURATION



- 1.6 SPRING LOADED TEMPERATURE SENSORS MUST USE A THERMOWELL ASSEMBLY.
- 1.5 TEMPERATURE SENSOR ASSEMBLY MUST BE CSA APPROVED FOR APPROPRIATE AREA CLASSIFICATION.
- \triangle .4 CSA EXPLOSIONPROOF ENCLOSURE OPTIONS:
 GROUPS B, C, D1, D2: J2, J4, J6, J8, R2 OR R4 FOR 644; A, G, H, J, K OR U FOR 148 AND 248.
- 1.3 FOR FIELD WIRING CONNECTIONS IN AMBIENT TEMPERATURES ABOVE 60° USE WIRING RATED TO AT LEAST 90°C.
- 1.2 ALL CONDUIT THREADS MUST BE ASSEMBLED WITH A MINIMUM OF FIVE FULL THREADS ENGAGEMENT.
- \triangle .1 INSTALL PER CANADIAN ELECTRICAL CODE CEC. CONDUIT SEAL NOT REQUIRED.

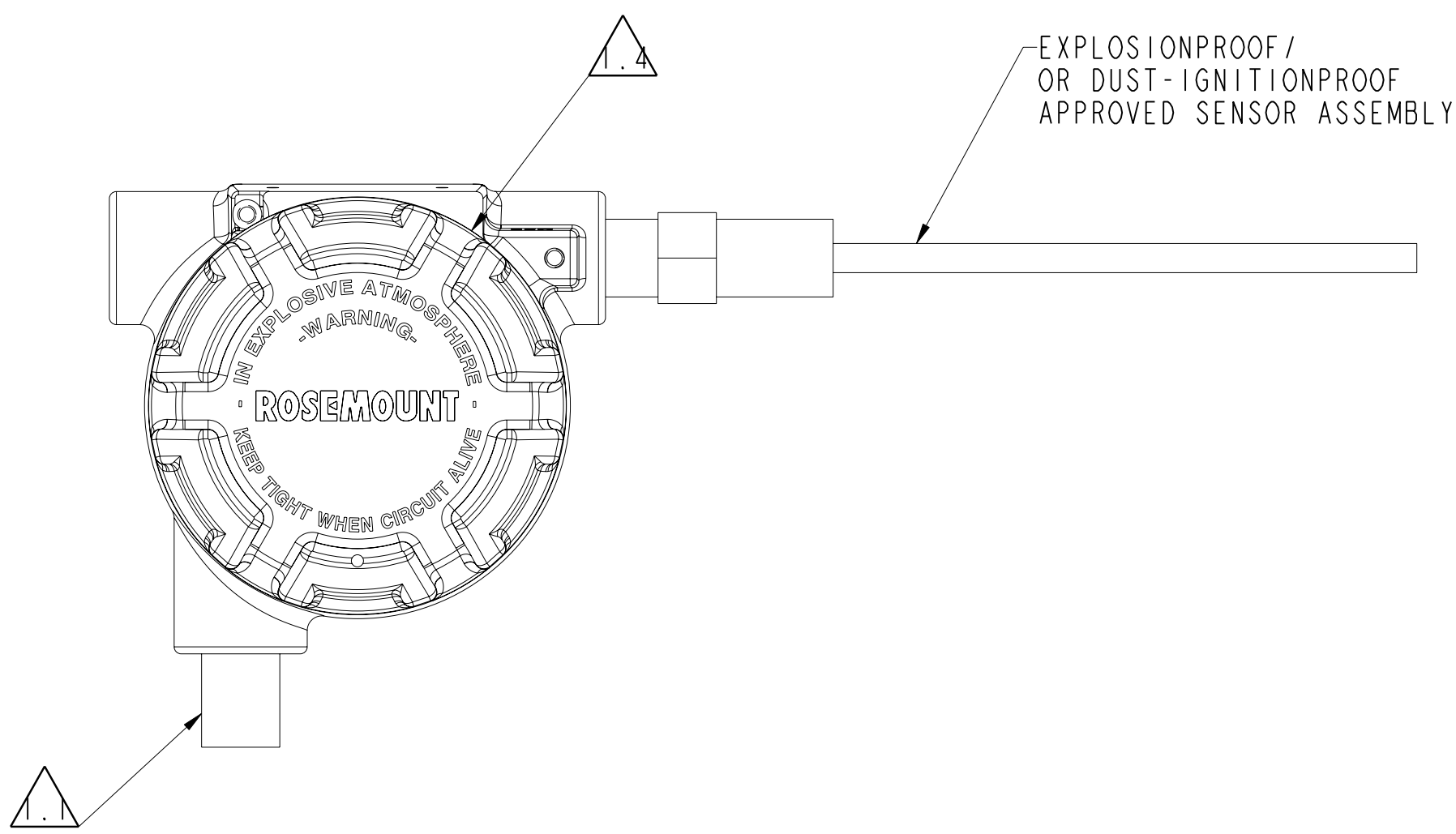
NOTES:

REMOTE MOUNT SENSOR CONFIGURATIONS

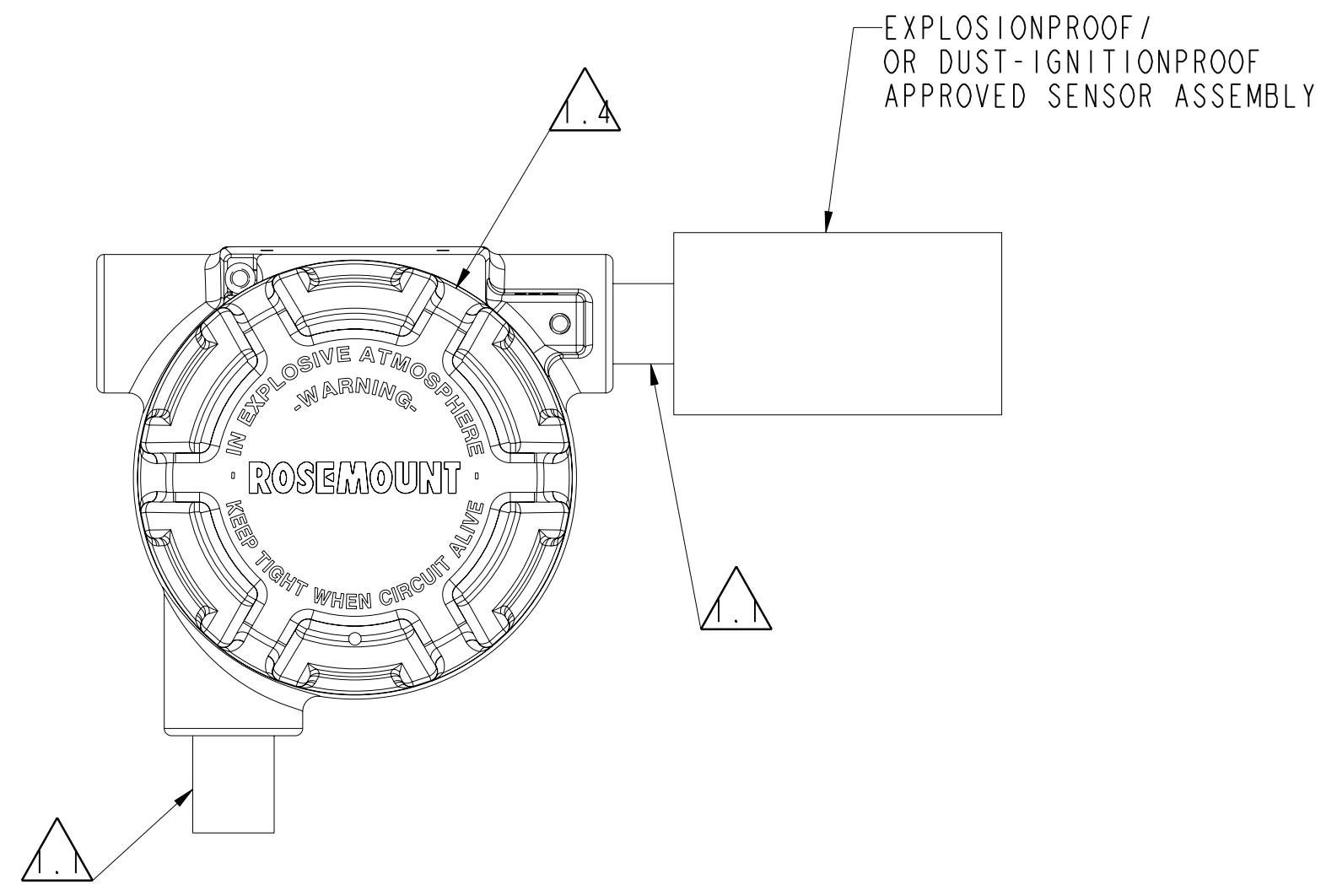
| | | | | | |
|---|---|---|-------------------------------|---------------|--------|
| CONFIDENTIAL AND PROPRIETARY INFORMATION IS CONTAINED HEREIN AND MUST BE HANDLED ACCORDINGLY. | SURFACE FINISH UNLESS OTHERWISE SPECIFIED <input checked="" type="checkbox"/> | 3RD ANGLE <input checked="" type="checkbox"/> | SIZE C | SCALE 3:4 | REV AL |
| UNLESS OTHERWISE SPECIFIED DIMENSIONS IN INCHES (mm). REMOVE ALL BURRS AND SHARP EDGES. | | EMERSON | | | |
| -DEC TOLERANCES- | | ROSEMOUNT | | | |
| .X ± .1 [2.5] | .XX ± .02 [0.5] | TITLE INSTAL. DRW: 644, 148, 248 | | | |
| .XXX ± .010 [0.25] | FRACTIONS ± 1/32 | CSA EXPLOSIONPROOF | | | |
| ANGLES ± 2° | APP'D D. BAUSCHKE 1/16/03 | DR. PAUL BEDNEY 4/12/00 | DRAWING NO. 00644-1059 | | |
| DO NOT SCALE PRINT | CAD MAINTAINED. (PRO/E) | PRODUCT CODE | DOC TYPE | SHEET 1 OF 10 | |

DRAWING NO. 00644-1059

UNIVERSAL JUNCTION BOX, 3 ENTRY



DIRECT MOUNT SENSOR CONFIGURATION



REMOTE MOUNT SENSOR CONFIGURATIONS

DRAWING NO. 00644-1059

| | | | | | |
|---|---|--|------------------------|-----------|---------------|
| CONFIDENTIAL AND PROPRIETARY INFORMATION IS CONTAINED HEREIN AND MUST BE HANDLED ACCORDINGLY. | SURFACE FINISH UNLESS OTHERWISE SPECIFIED <input checked="" type="checkbox"/> | 3RD ANGLE | SIZE C | SCALE 3:4 | REV AL |
| UNLESS OTHERWISE SPECIFIED DIMENSIONS IN INCHES (mm). REMOVE ALL BURRS AND SHARP EDGES. | | EMERSON ROSEMOUNT | | | |
| -DEC TOLERANCES- .X ± .1 [2.5] .XX ± .02 [0.5] .XXX ± .010 [0.25] | | TITLE INSTAL. DRW: 644, 148, 248 CSA EXPLOSIONPROOF | | | |
| FRACTIONS ± 1/32 | ANGLES ± 2° | DR. PAUL BEDNEY 4/12/00 | DRAWING NO. 00644-1059 | | |
| DO NOT SCALE PRINT | | CAD MAINTAINED. (PRO/E) | PRODUCT CODE | DOC TYPE | SHEET 2 OF 10 |

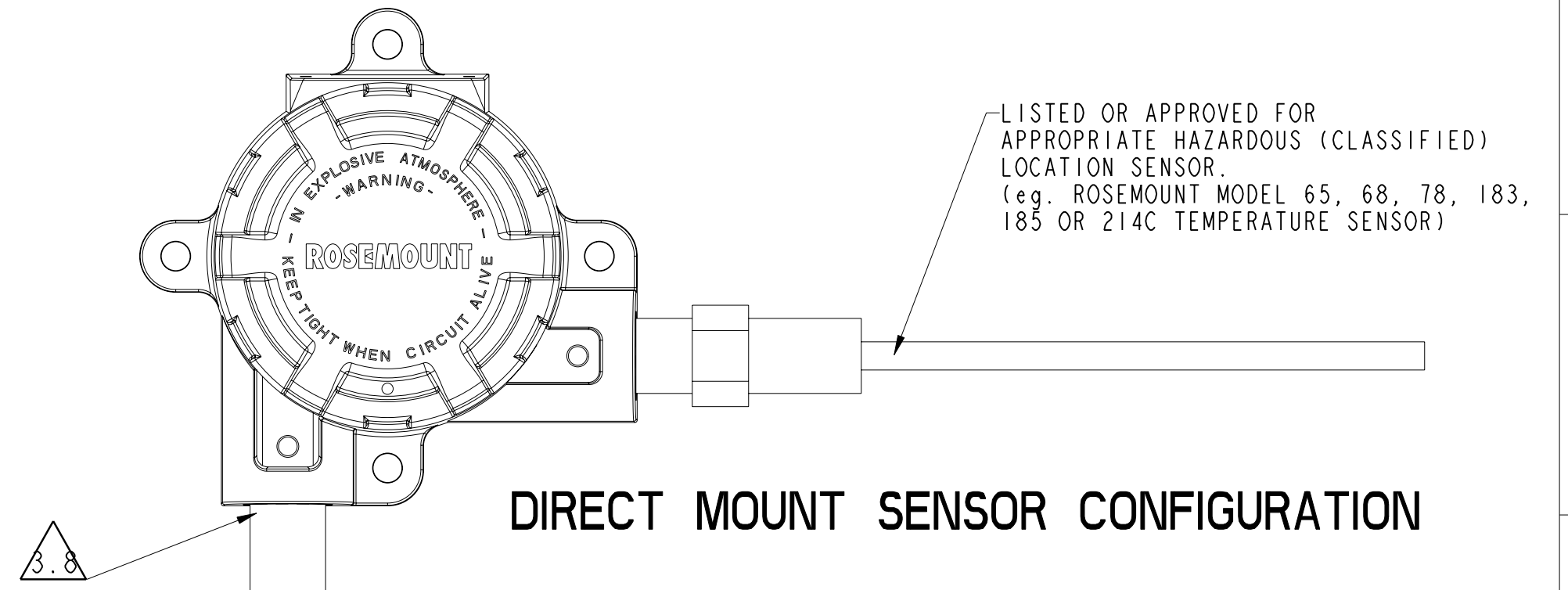
FOR INSTALLATION IN THE UNITED STATES

HAZARDOUS (CLASSIFIED) LOCATION

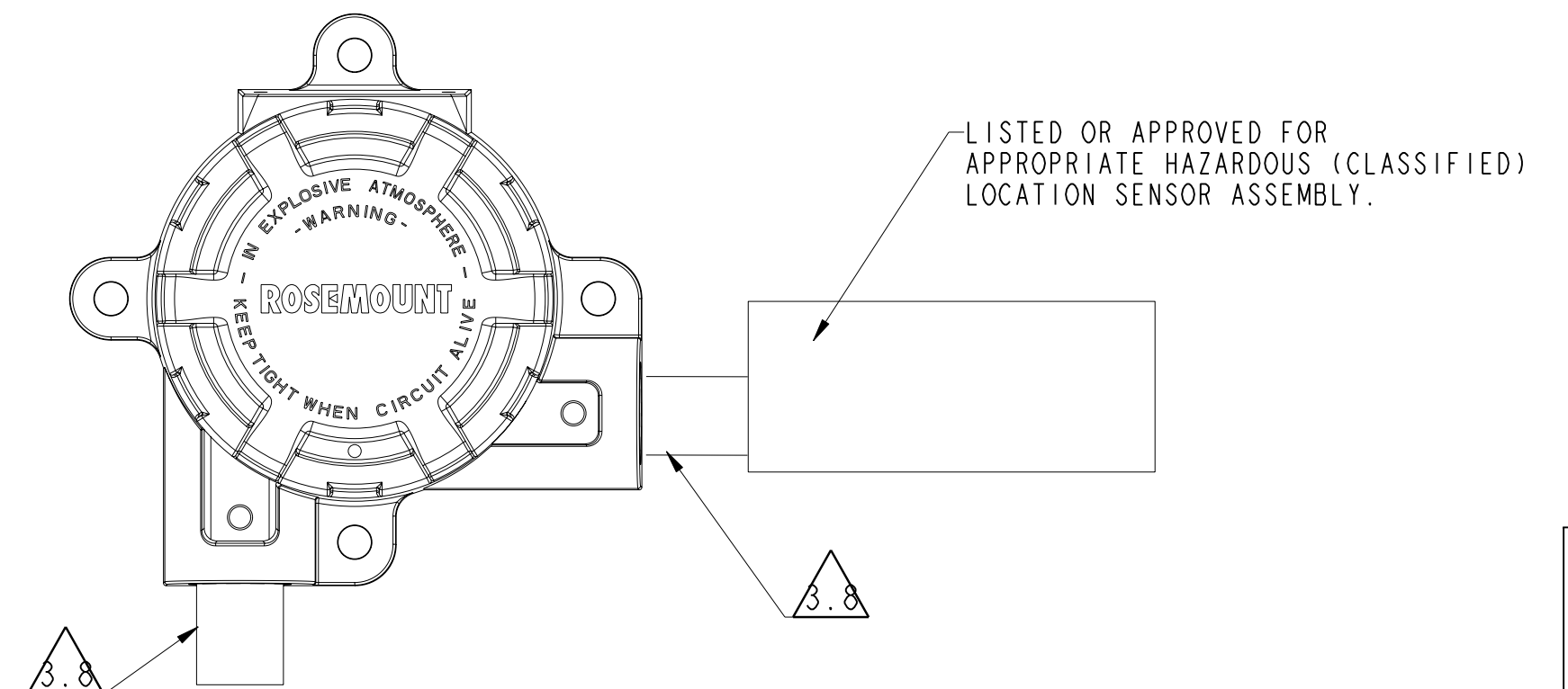
EXPLOSION PROOF FOR CLASS I, DIV. 1, GROUPS B, C, D
 DUST-IGNITION PROOF FOR CLASS II/ III, DIV. 1, GROUPS E, F, G:
 NONINCENDIVE FOR CLASS I, DIV 2, GROUPS A, B, C, D.
 AMBIENT TEMPERATURE LIMITS: -50°C TO +85°C.

UNIVERSAL JUNCTION BOX,
 2 ENTRIES

(ENCLOSURE OPTIONS J5, J6, J7, OR J8)
 CONDUIT SEAL NOT REQUIRED IN AMBIENT TEMPERATURE ABOVE -40°C



DIRECT MOUNT SENSOR CONFIGURATION



REMOTE MOUNT SENSOR CONFIGURATION

- 3.8 WIRING METHOD SUITABLE FOR CLASS I, DIV 1.
- 3.7 UNUSED CONDUIT ENTRY MUST BE CLOSED WITH LISTED BLANKING ELEMENT.
- 3.6 WHEN SUPPLIED WITH ROSEMOUNT MODEL 68, 78 OR 183 TEMPERATURE SENSOR, THE AMBIENT TEMPERATURE RATING IS DERATED TO -40°C TO -85°C.
- 3.5 SPRING LOADED TEMPERATURE SENSORS MUST BE PLACED IN A THERMOWELL.
- 3.4 CONDUIT AND SENSOR MUST BE ASSEMBLED TO UNIVERSAL JUNCTION BOX OR ROSEMOUNT CONNECTION HEAD USING THREAD SEALANT OR TAPE.
- 3.3 FOR FIELD WIRING CONNECTIONS IN AMBIENT TEMPERATURES ABOVE 60°C USE WIRING RATED TO AT LEAST 90°C.
- 3.2 ALL NPT CONDUIT THREADS MUST BE ASSEMBLED WITH A MINIMUM 4-1/2 THREADS FULLY ENGAGED. STRAIGHT THREADS MUST BE ASSEMBLED WITH A MINIMUM 5 THREADS FULLY ENGAGED.
- 3.1 INSTALLATION MUST BE IN ACCORDANCE WITH LATEST EDITION OF NATIONAL ELECTRICAL CODE (NFPA 70).

NOTES:

DRAWING NO. 00644-1059

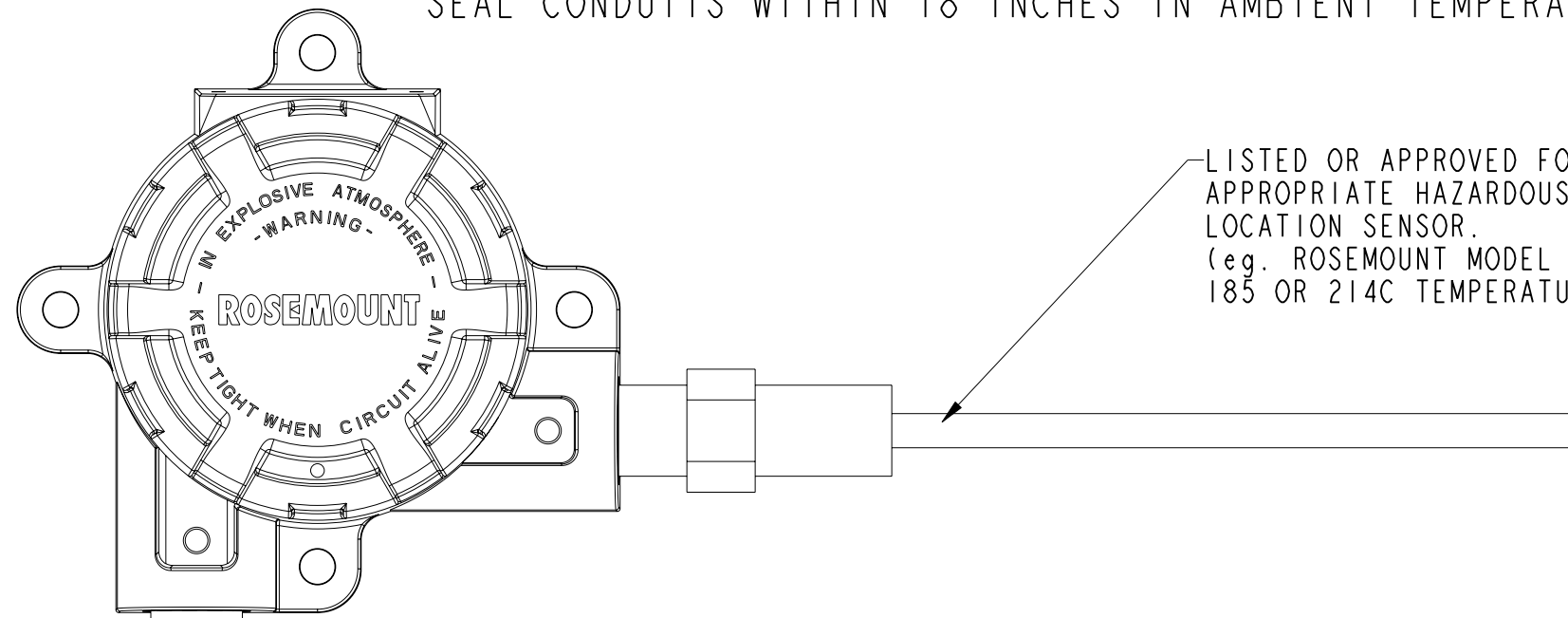
| | | | | | |
|---|---|---|----------|---------------|--------|
| CONFIDENTIAL AND PROPRIETARY INFORMATION IS CONTAINED HEREIN AND MUST BE HANDLED ACCORDINGLY. | SURFACE FINISH UNLESS OTHERWISE SPECIFIED <input checked="" type="checkbox"/> | 3RD ANGLE <input checked="" type="checkbox"/> | SIZE C | SCALE 3:4 | REV AL |
| UNLESS OTHERWISE SPECIFIED DIMENSIONS IN INCHES (mm). REMOVE ALL BURRS AND SHARP EDGES. | ROSEMOUNT | | | | |
| EMERSON | | | | | |
| TITLE INSTAL. DRW: 644, 148, 248 CSA EXPLOSIONPROOF | | | | | |
| DR. PAUL BEDNEY 4/12/00 | | DRAWING NO. 00644-1059 | | | |
| APP'D D. BAUSCHKE 1/16/03 | | | | | |
| DO NOT SCALE PRINT | CAD MAINTAINED. (PRO/E) | PRODUCT CODE | DOC TYPE | SHEET 3 OF 10 | |

UNIVERSAL JUNCTION BOX, 2 ENTRIES

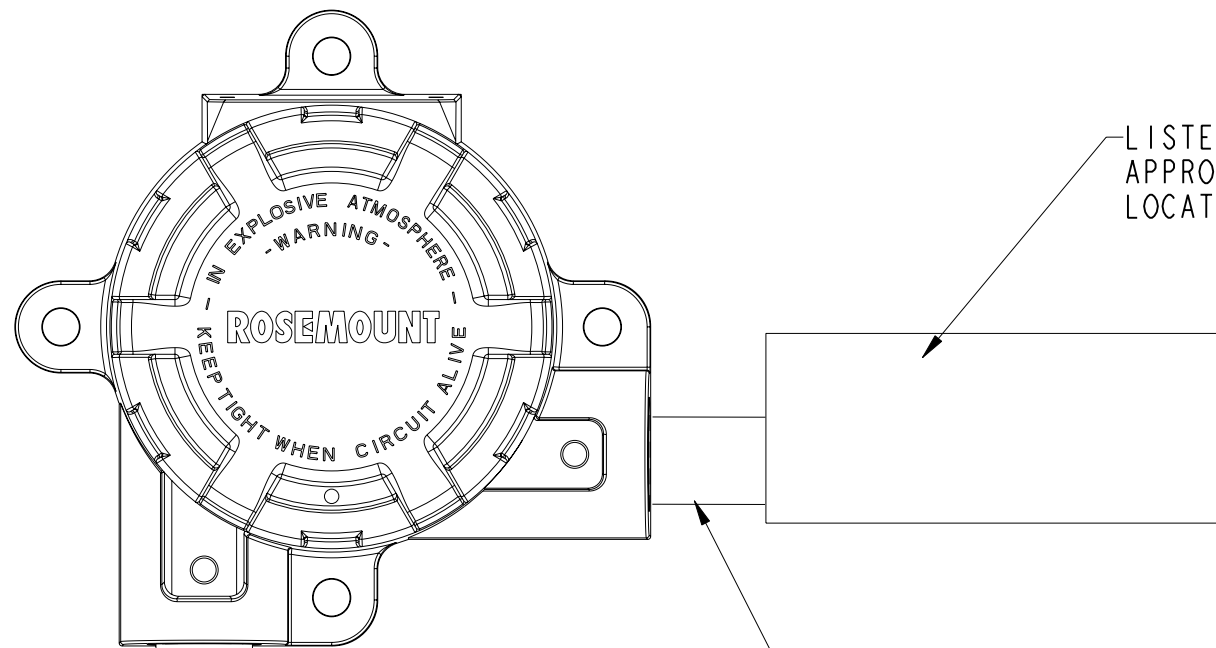
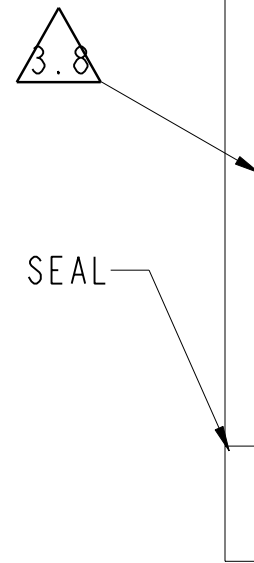
(ENCLOSURE OPTIONS J5, J6, J7, OR J8)
SEAL CONDUITS WITHIN 18 INCHES IN AMBIENT TEMPERATURE BELOW -40°C

HAZARDOUS (CLASSIFIED) LOCATION

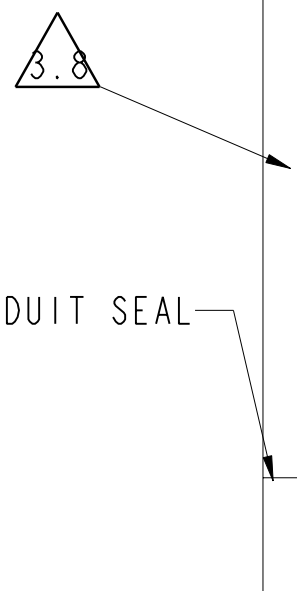
EXPLOSION PROOF FOR CLASS I, DIV. 1, GROUPS B, C, D
DUST-IGNITION PROOF FOR CLASS II/ III, DIV. 1, GROUPS E, F, G:
NONINCENDIVE FOR CLASS I, DIV 2, GROUPS A, B, C, D.
AMBIENT TEMPERATURE LIMITS: -50°C TO +85°C.



DIRECT MOUNT SENSOR CONFIGURATION



REMOTE MOUNT SENSOR CONFIGURATION



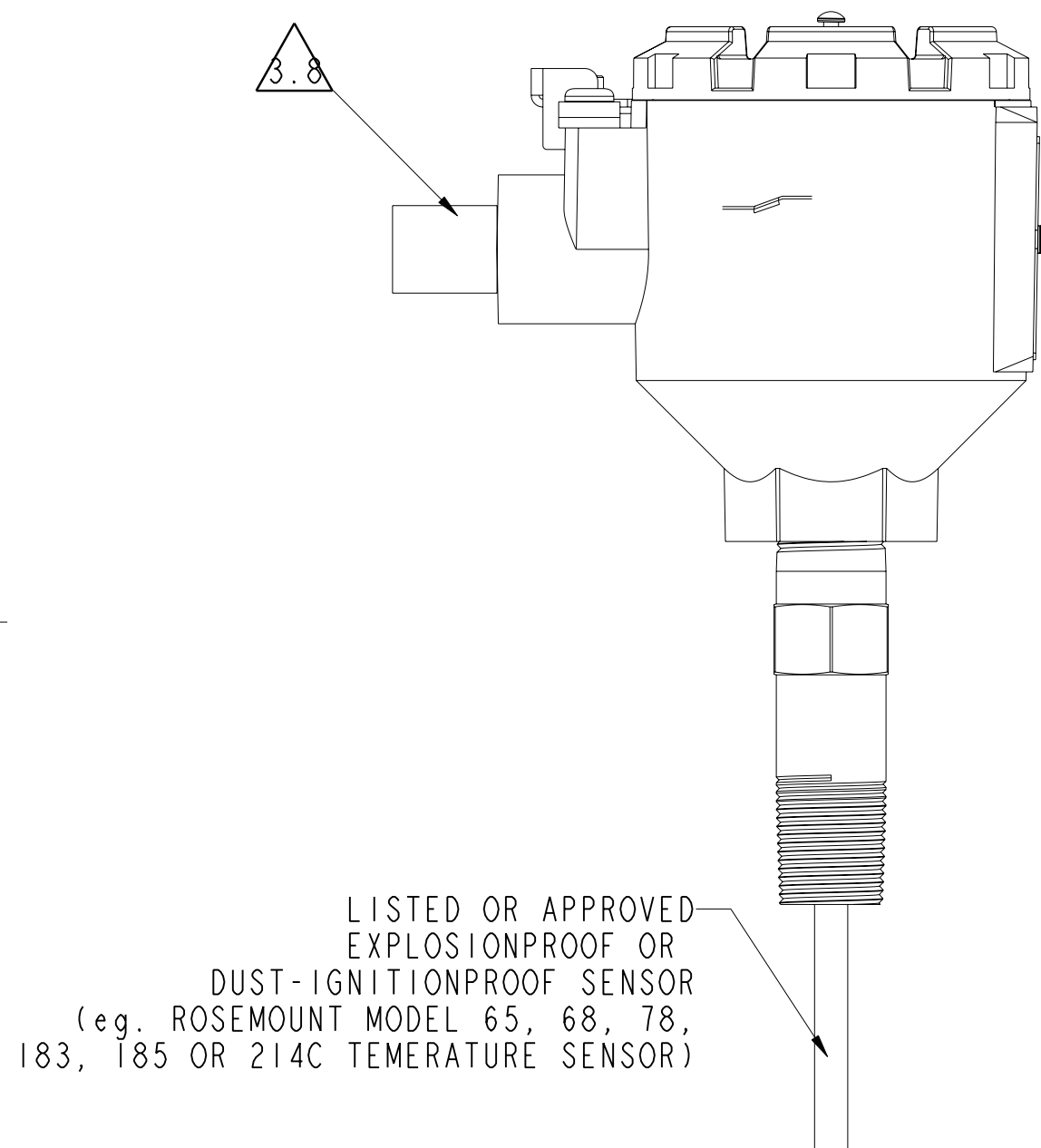
DRAWING NO. 00644-1059

| | | | | | | |
|---|------------------|--|-----------|-------------------------|--------------|------------------------|
| CONFIDENTIAL AND PROPRIETARY INFORMATION IS CONTAINED HEREIN AND MUST BE HANDLED ACCORDINGLY. | | SURFACE FINISH UNLESS OTHERWISE SPECIFIED | 3RD ANGLE | SIZE C | SCALE 3:4 | REV AL |
| UNLESS OTHERWISE SPECIFIED DIMENSIONS IN INCHES (mm). REMOVE ALL BURRS AND SHARP EDGES. | | EMERSON ROSEMOUNT | | | | |
| -DEC TOLERANCES- | | TITLE INSTAL. DRW: 644, 148, 248 CSA EXPLOSIONPROOF | | | | |
| .X ± .1 [2.5] | .XX ± .02 [0.5] | DR. PAUL BEDNEY 4/12/00 | | DRAWING NO. 00644-1059 | | |
| .XXX ± .010 [0.25] | FRACTIONS ± 1/32 | APP'D D. BAUSCHKE 1/16/03 | | | | |
| ANGLES ± 2° | | DO NOT SCALE PRINT | | CAD MAINTAINED. (PRO/E) | PRODUCT CODE | DOC TYPE SHEET 4 OF 10 |

HAZARDOUS (CLASSIFIED) LOCATION

EXPLOSION PROOF FOR CLASS I, DIV. 1, GROUPS B, C, D
 DUST-IGNITION PROOF FOR CLASS II/ III, DIV. 1, GROUPS E, F, G:
 NONINCENDIVE FOR CLASS I, DIV 2, GROUPS A, B, C, D.
 AMBIENT TEMPERATURE LIMITS: -50°C TO +85°C.

CONDUIT SEAL NOT REQUIRED IN
 AMBIENT TEMPERATURE ABOVE -40°C

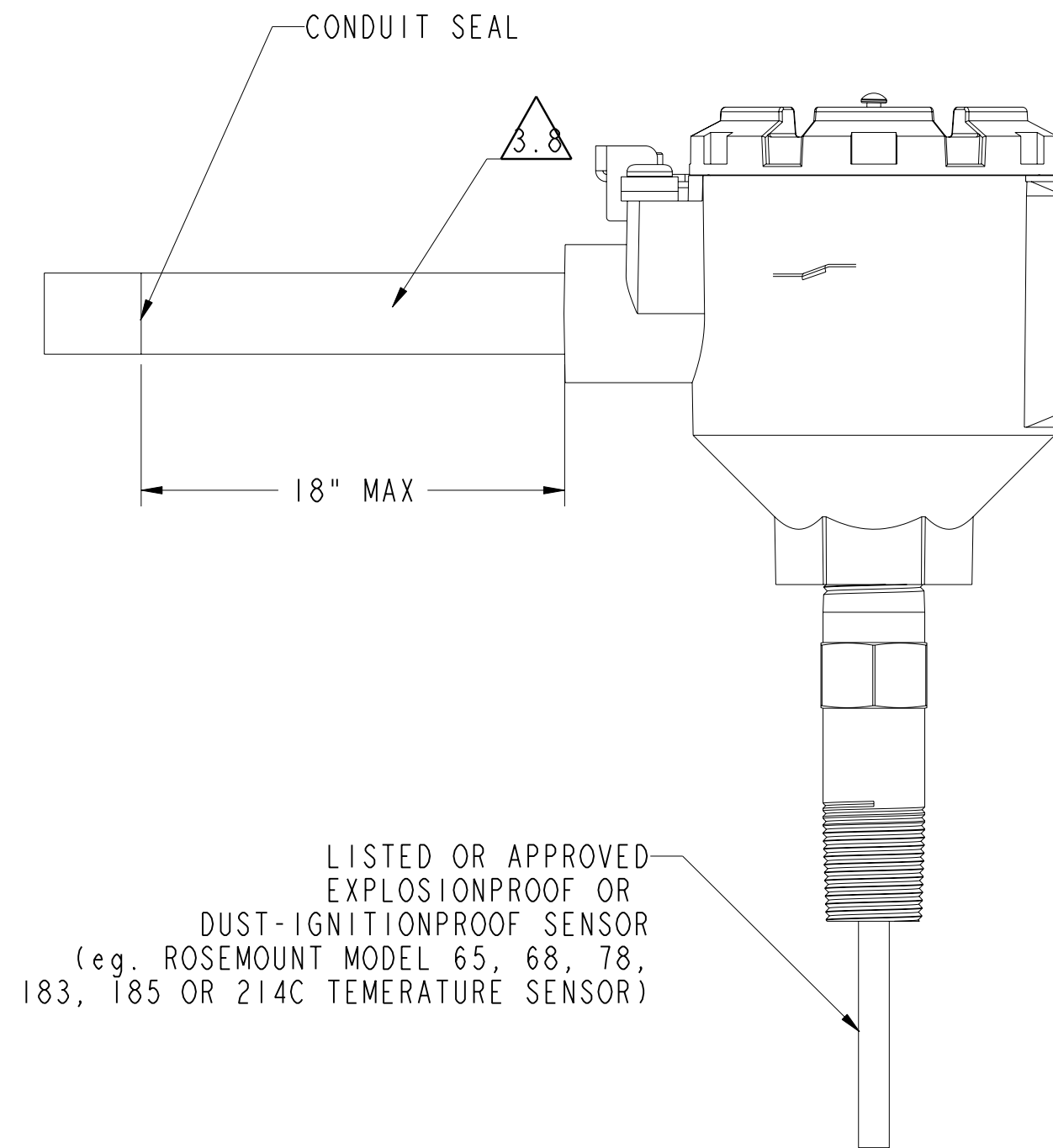


ROSEMOUNT CONNECTION HEAD

(ENCLOSURE OPTIONS R1, R2, R3, OR R4)

THREADED STYLE DIRECT MOUNT SENSOR CONFIGURATION

SEAL CONDUITS WITHIN 18 INCHES IN
 AMBIENT TEMPERATURE BELOW -40°C



DRAWING NO. 00644-1059

| | | | | | | | | |
|---|------------------|--|--|-------------------------|--------------|------------|---------------|--------|
| CONFIDENTIAL AND PROPRIETARY INFORMATION IS CONTAINED HEREIN AND MUST BE HANDLED ACCORDINGLY. | | SURFACE FINISH UNLESS OTHERWISE SPECIFIED | | 3RD ANGLE | | SIZE C | SCALE 3:4 | REV AL |
| UNLESS OTHERWISE SPECIFIED DIMENSIONS IN INCHES (mm). REMOVE ALL BURRS AND SHARP EDGES. | | EMERSON ROSEMOUNT | | | | | | |
| -DEC TOLERANCES- | | TITLE INSTAL. DRW: 644, 148, 248 CSA EXPLOSIONPROOF | | | | | | |
| .X ± .1 [2.5] | .XX ± .02 [0.5] | DR. PAUL BEDNEY 4/12/00 | | DRAWING NO. | | 00644-1059 | | |
| .XXX ± .010 [0.25] | FRACTIONS ± 1/32 | APP'D D. BAUSCHKE 1/16/03 | | | | | | |
| ANGLES ± 2° | | DO NOT SCALE PRINT | | CAD MAINTAINED. (PRO/E) | PRODUCT CODE | DOC TYPE | SHEET 5 OF 10 | |

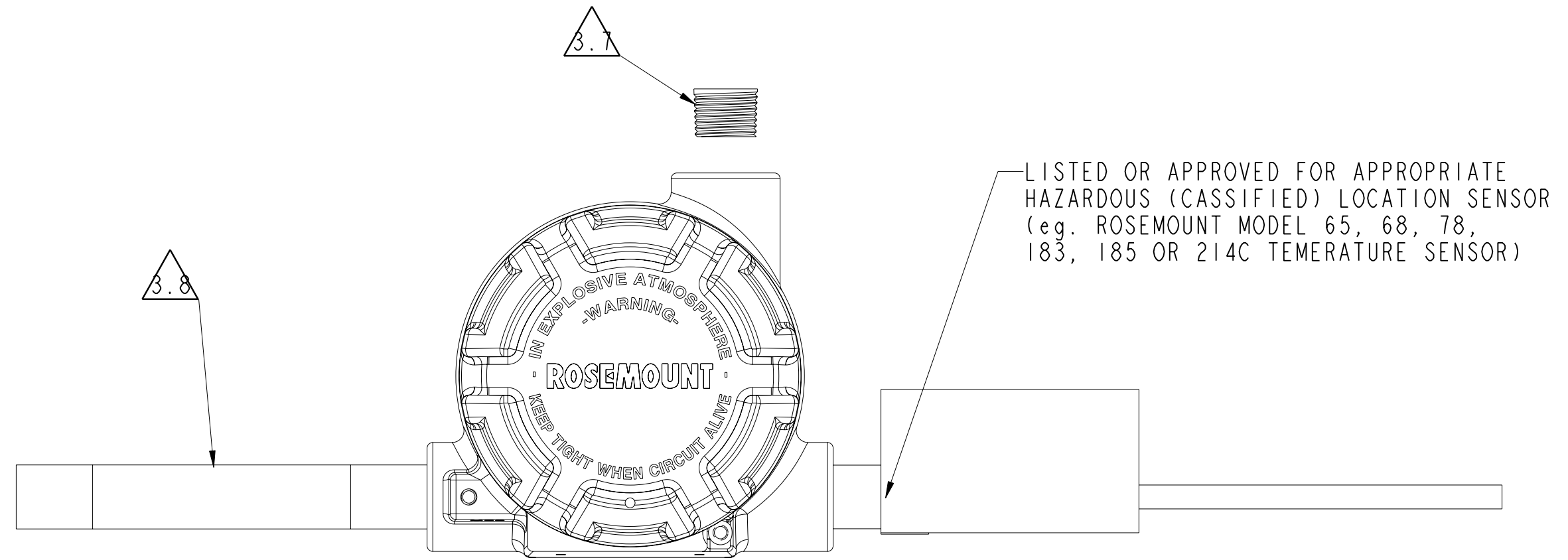
HAZARDOUS (CLASSIFIED) LOCATION

EXPLOSION PROOF FOR CLASS I, DIV. 1, GROUPS B, C, D
 DUST-IGNITION PROOF FOR CLASS II/ III, DIV. 1, GROUPS E, F, G:
 NONINCENDIVE FOR CLASS I, DIV 2, GROUPS A, B, C, D.
 AMBIENT TEMPERATURE LIMITS: -50°C TO +85°C.

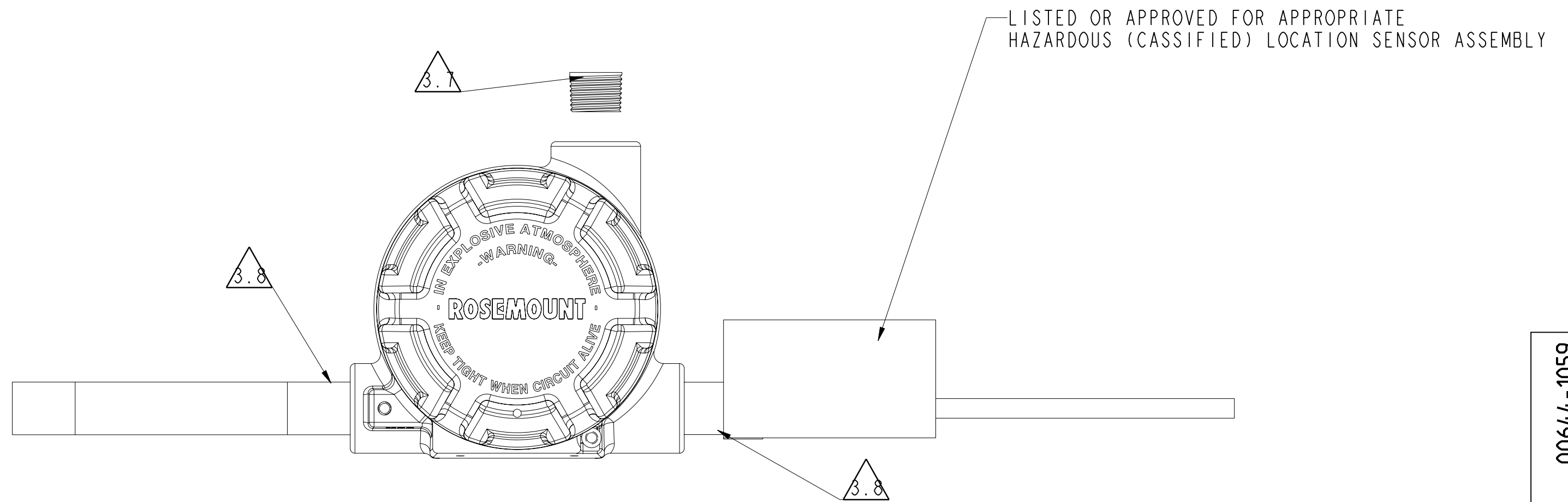
UNIVERSAL HEAD JUNCTION BOX, 3 ENTRIES

(ENCLOSURE OPTIONS J1, J2, J3, OR J4)

CONDUIT SEAL NOT REQUIRED IN AMBIENT TEMPERATURE ABOVE -40 °C



DIRECT MOUNT SENSOR CONFIGURATION



REMOTE MOUNT SENSOR CONFIGURATION

DRAWING NO. 00644-1059

| | | | | | | | | |
|---|-------------|---|--|-------------------------|--------------|------------|---------------|--------|
| CONFIDENTIAL AND PROPRIETARY INFORMATION IS CONTAINED HEREIN AND MUST BE HANDLED ACCORDINGLY. | | SURFACE FINISH UNLESS OTHERWISE SPECIFIED | | 3RD ANGLE | | SIZE C | SCALE 3:4 | REV AL |
| UNLESS OTHERWISE SPECIFIED DIMENSIONS IN INCHES (mm). REMOVE ALL BURRS AND SHARP EDGES. | | EMERSON ROSEMOUNT | | | | | | |
| -DEC TOLERANCES- | | TITLE INSTAL. DRW: 644, 148, 248 | | | | | | |
| .X ± .1 [2.5] | | CSA EXPLOSIONPROOF | | | | | | |
| .XX ± .02 [0.5] | | DR. PAUL BEDNEY 4/12/00 | | DRAWING NO. | | 00644-1059 | | |
| .XXX ± .010 [0.25] | | APP'D D. BAUSCHKE 1/16/03 | | | | | | |
| FRACTIONS ± 1/32 | ANGLES ± 2° | DO NOT SCALE PRINT | | CAD MAINTAINED. (PRO/ε) | PRODUCT CODE | DOC TYPE | SHEET 6 OF 10 | |

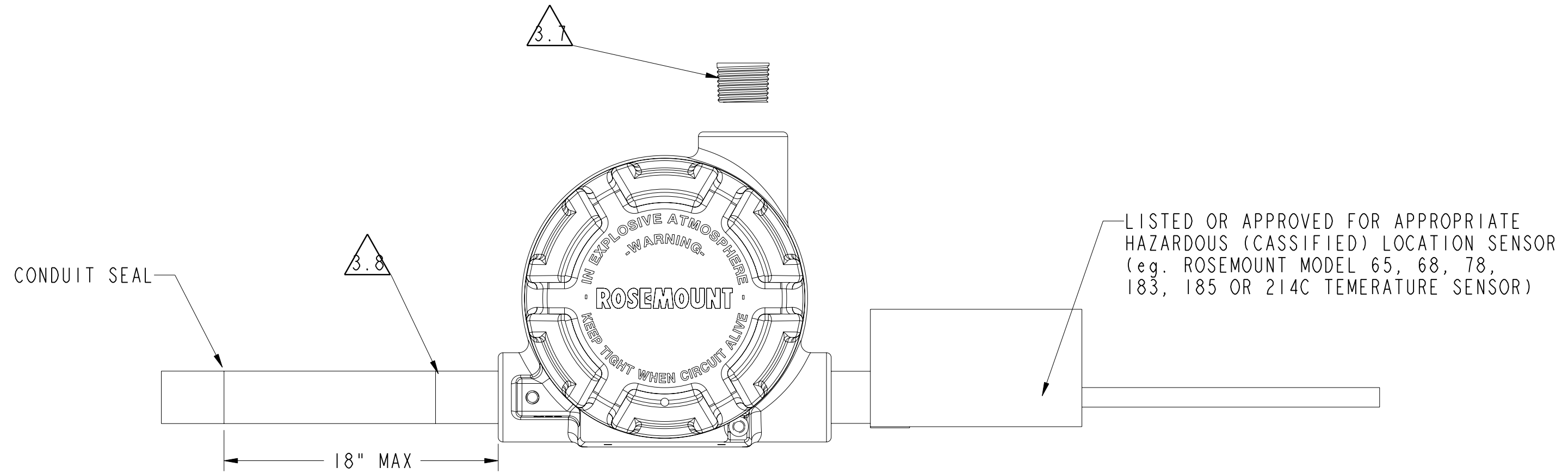
HAZARDOUS (CLASSIFIED) LOCATION

EXPLOSION PROOF FOR CLASS I, DIV. 1, GROUPS B, C, D
 DUST-IGNITION PROOF FOR CLASS II/ III, DIV. 1, GROUPS E, F, G:
 NONINCENDIVE FOR CLASS I, DIV 2, GROUPS A, B, C, D.
 AMBIENT TEMPERATURE LIMITS: -50°C TO +85°C.

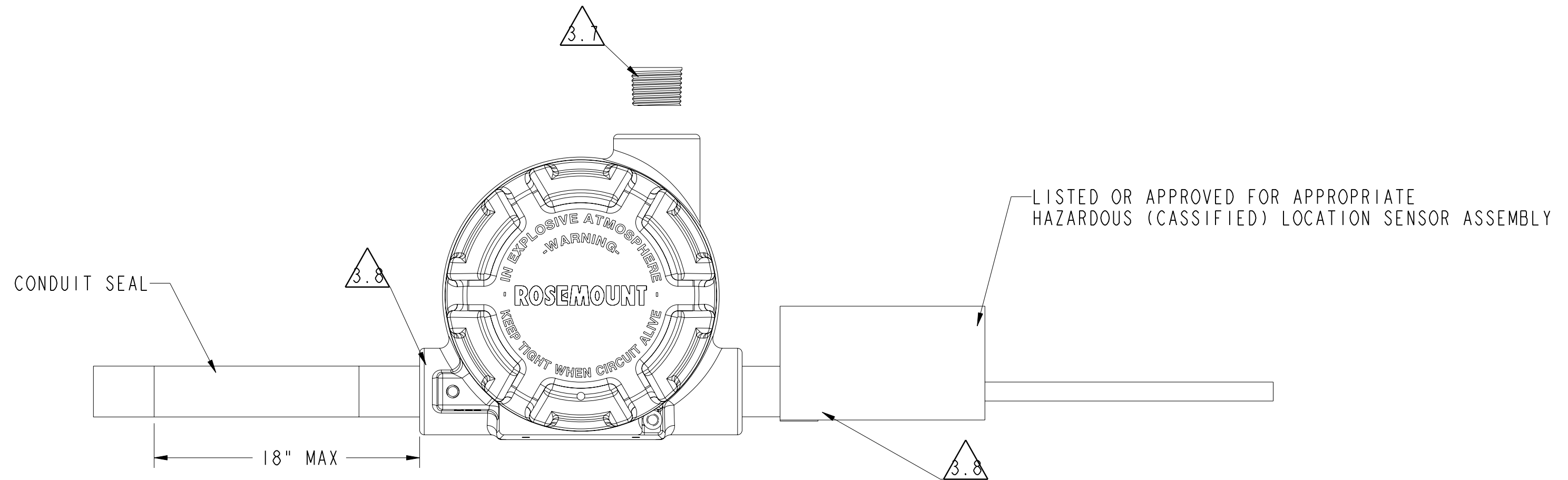
UNIVERSAL HEAD JUNCTION BOX, 3 ENTRIES

(ENCLOSURE OPTIONS J1, J2, J3, OR J4)

SEAL CONDUITS WITHIN 18 INCHES IN AMBIENT TEMPERATURE BELOW -40 °C



DIRECT MOUNT SENSOR CONFIGURATION



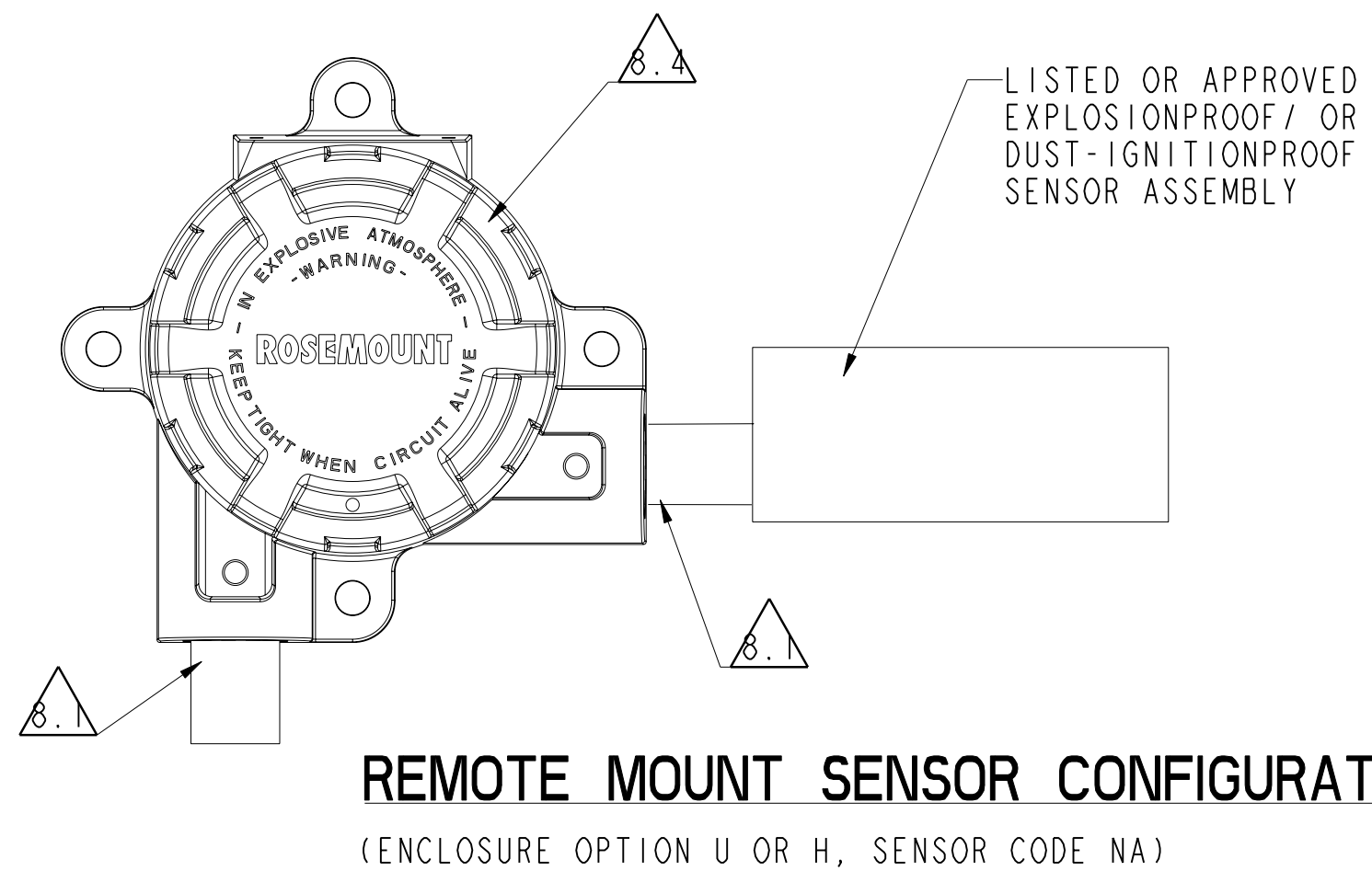
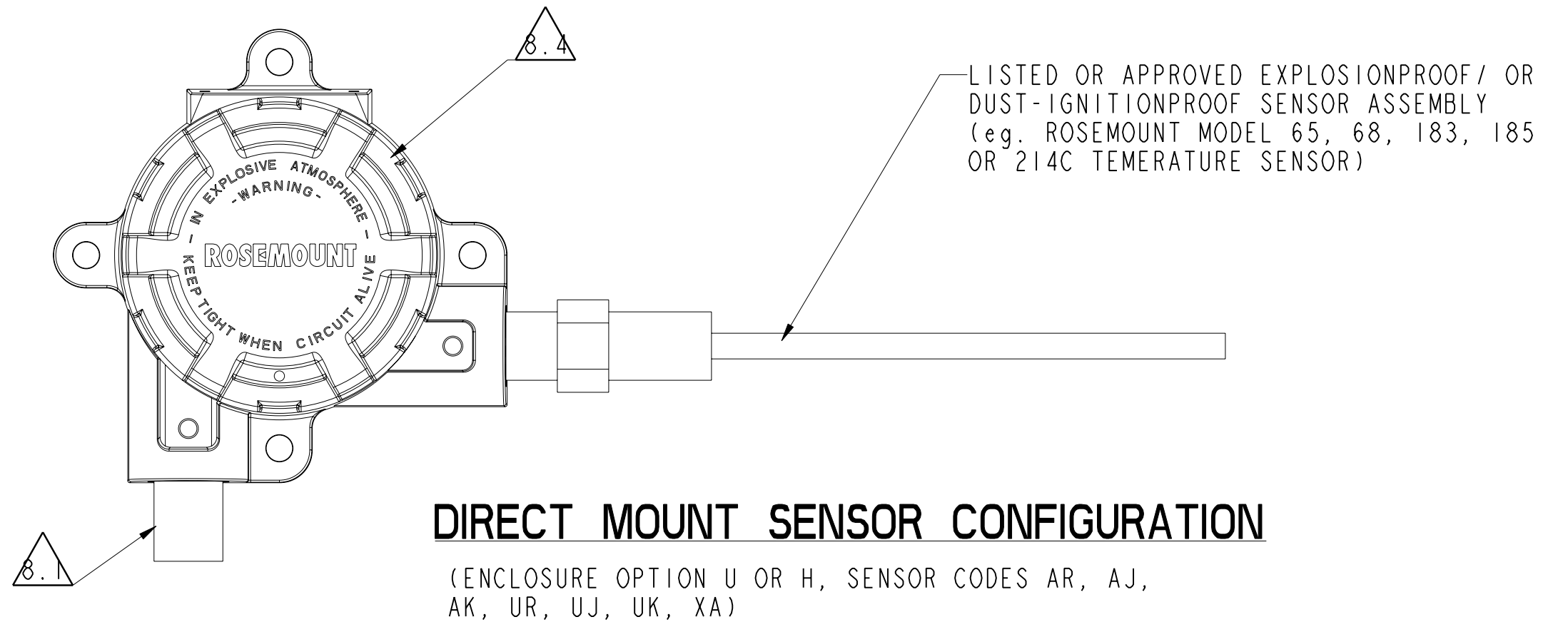
REMOTE MOUNT SENSOR CONFIGURATION

DRAWING NO. 00644-1059

| | | | | | |
|---|--|-----------------|----------|------------------------|--------|
| CONFIDENTIAL AND PROPRIETARY INFORMATION IS CONTAINED HEREIN AND MUST BE HANDLED ACCORDINGLY. | SURFACE FINISH UNLESS OTHERWISE SPECIFIED | 3RD ANGLE | SIZE C | SCALE 3:4 | REV AL |
| UNLESS OTHERWISE SPECIFIED DIMENSIONS IN INCHES (mm). REMOVE ALL BURRS AND SHARP EDGES. | EMERSON ROSEMOUNT | | | | |
| -DEC TOLERANCES- .X ± .1 [2.5] .XX ± .02 [0.5] .XXX ± .010 [0.25] | TITLE INSTAL. DRW: 644, 148, 248 CSA EXPLOSIONPROOF | | | | |
| FRACTIONS ± 1/32 | ANGLES ± 2° | DR. PAUL BEDNEY | 4/12/00 | DRAWING NO. 00644-1059 | |
| DO NOT SCALE PRINT | CAD MAINTAINED. (PRO/E) | PRODUCT CODE | DOC TYPE | SHEET 7 OF 10 | |

HAZARDOUS (CLASSIFIED) LOCATION

EXPLOSION PROOF FOR CLASS I, DIV. 1, GROUPS B, C, D
 DUST-IGNITION PROOF FOR CLASS II/ III, DIV. 1, GROUPS E, F, G:
 NONINCENDIVE FOR CLASS I, DIV 2, GROUPS A, B, C, D.
 AMBIENT TEMPERATURE LIMITS: -50°C TO +85°C.



8.8 WHEN SUPPLIED WITH ROSEMOUNT MODEL 65 (SENSOR CODES AR, DR OR ZR, 68 (SENSOR CODE UR), 183 (SENSOR CODES UJ, UK) OR 185 (SENSOR CODES AJ, AK, DJ, DK, ZJ, ZK) TEMPERATURE SENSOR, THE AMBIENT TEMPERATURE RATING IS DERATED TO -40°C TO 85°C.

8.7 SPRING LOADED TEMPERATURE SENSORS MUST BE PLACED IN A LISTED OR APPROVED THERMOWELL RATED FOR APPROPRIATE AREA CLASSIFICATION TO PROVIDE A SEAL FROM THE PROCESS.

8.6 TEMPERATURE SENSOR ASSEMBLY MUST BE CSA APPROVED FOR APPROPRIATE AREA CLASSIFICATION.

8.5 CONDUIT AND SENSOR MUST BE ASSEMBLED TO UNIVERSAL HEAD AND ROSEMOUNT CONNECTION HEAD USING THREAD SEALANT OR TAPE.

8.4 CSA EXPLOSIONPROOF ENCLOSURE OPTIONS: A, U, G, J, K, OR H.

8.3 FOR FIELD WIRING CONNECTIONS IN AMBIENT TEMPERATURES ABOVE 60° USE WIRING RATED TO AT LEAST 90°C.

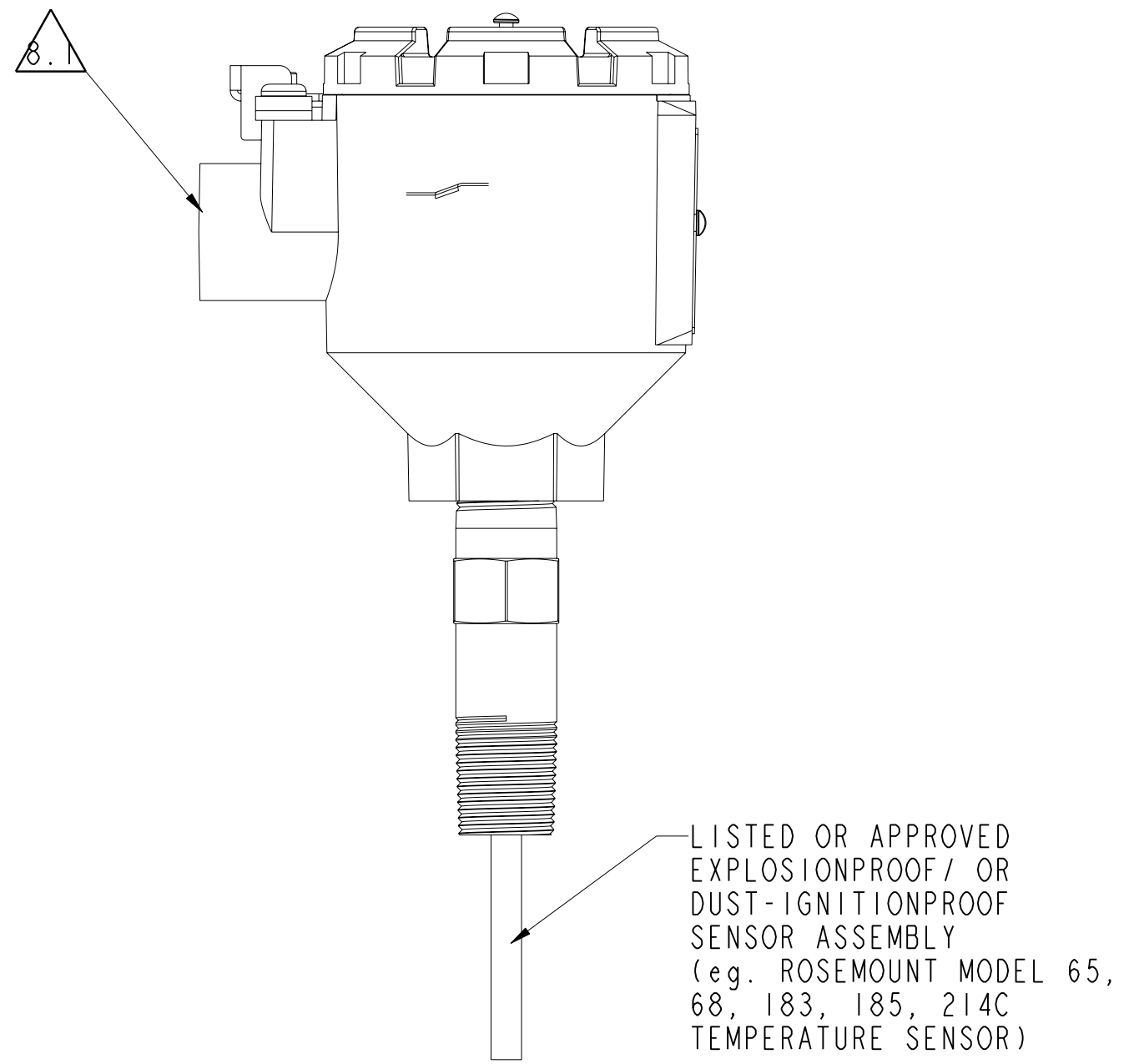
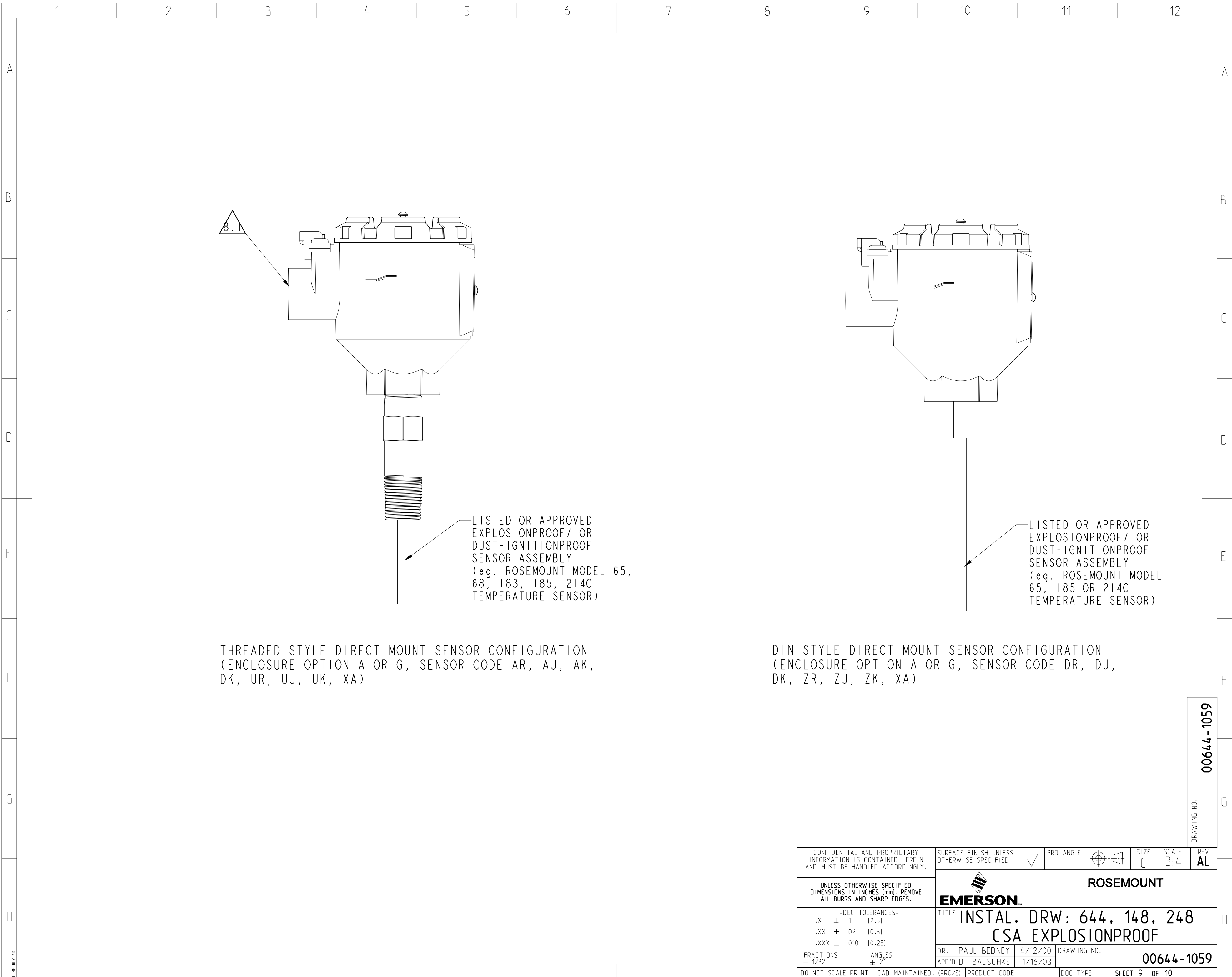
8.2 ALL CONDUIT THREADS MUST BE ASSEMBLED WITH A MINIMUM OF FIVE FULL THREADS ENGAGEMENT.

8.1 INSTALL PER NATIONAL ELECTRICAL CODE (NEC). CONDUIT SEAL NOT REQUIRED FOR COMPLIANCE WITH NEC 501-5a(1).

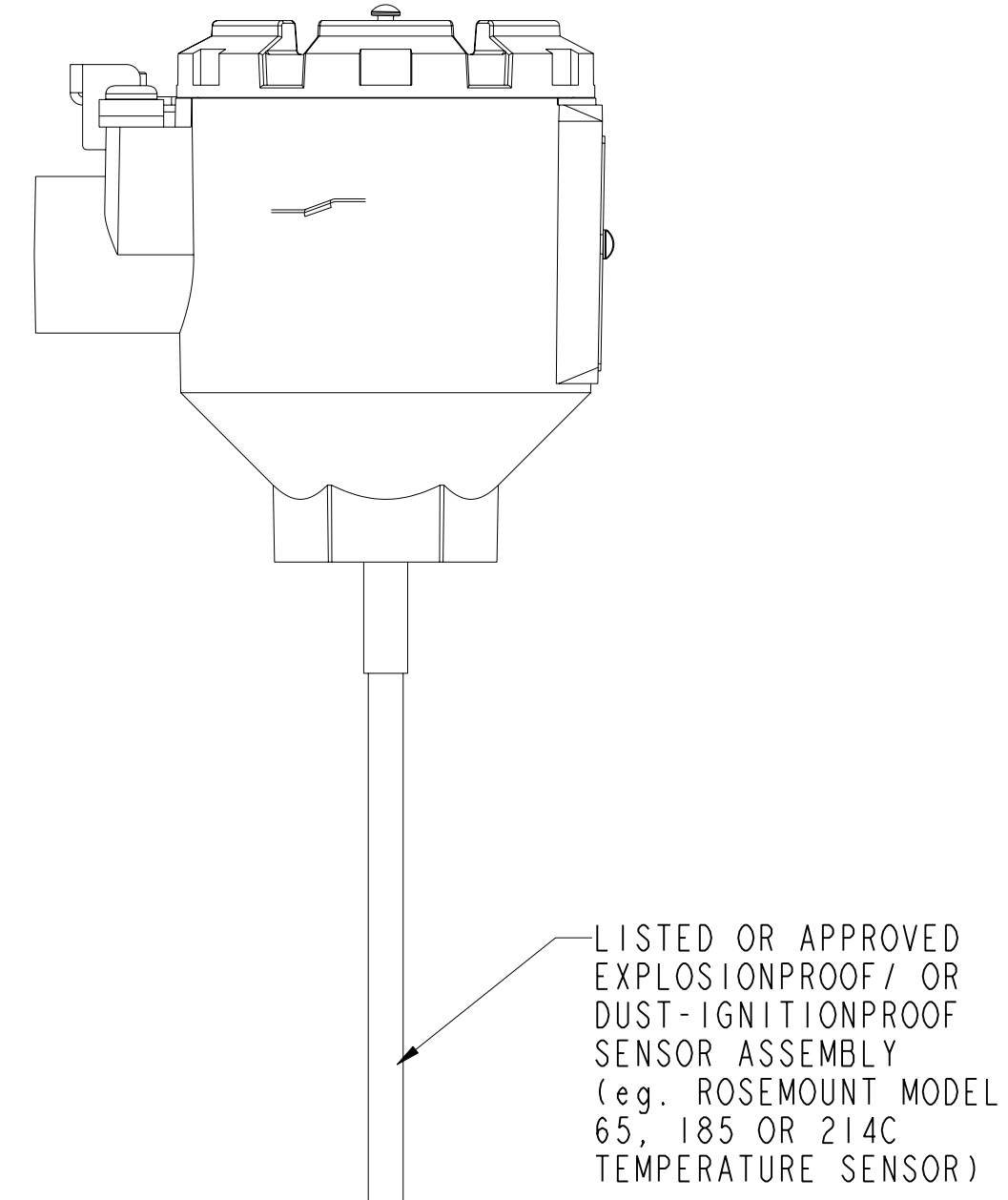
NOTES:

DRAWING NO. 00644-1059

| | | | | | | | |
|---|------------------|---|--|-------------------------|--------------|-----------|---------------|
| CONFIDENTIAL AND PROPRIETARY INFORMATION IS CONTAINED HEREIN AND MUST BE HANDLED ACCORDINGLY. | | SURFACE FINISH UNLESS OTHERWISE SPECIFIED <input checked="" type="checkbox"/> | | 3RD ANGLE | SIZE C | SCALE 3:4 | REV AL |
| UNLESS OTHERWISE SPECIFIED DIMENSIONS IN INCHES (mm). REMOVE ALL BURRS AND SHARP EDGES. | | EMERSON ROSEMOUNT | | | | | |
| -DEC TOLERANCES- | | TITLE INSTAL. DRW: 644, 148, 248 CSA EXPLOSIONPROOF | | | | | |
| .X ± .1 [2.5] | .XX ± .02 [0.5] | DR. PAUL BEDNEY 4/12/00 | | DRAWING NO. 00644-1059 | | | |
| .XXX ± .010 [0.25] | FRACTIONS ± 1/32 | APP'D D. BAUSCHKE 1/16/03 | | | | | |
| ANGLES ± 2° | | DO NOT SCALE PRINT | | CAD MAINTAINED. (PRO/E) | PRODUCT CODE | DOC TYPE | SHEET 8 OF 10 |



THREADED STYLE DIRECT MOUNT SENSOR CONFIGURATION
(ENCLOSURE OPTION A OR G, SENSOR CODE AR, AJ, AK, DK, UR, UJ, UK, XA)



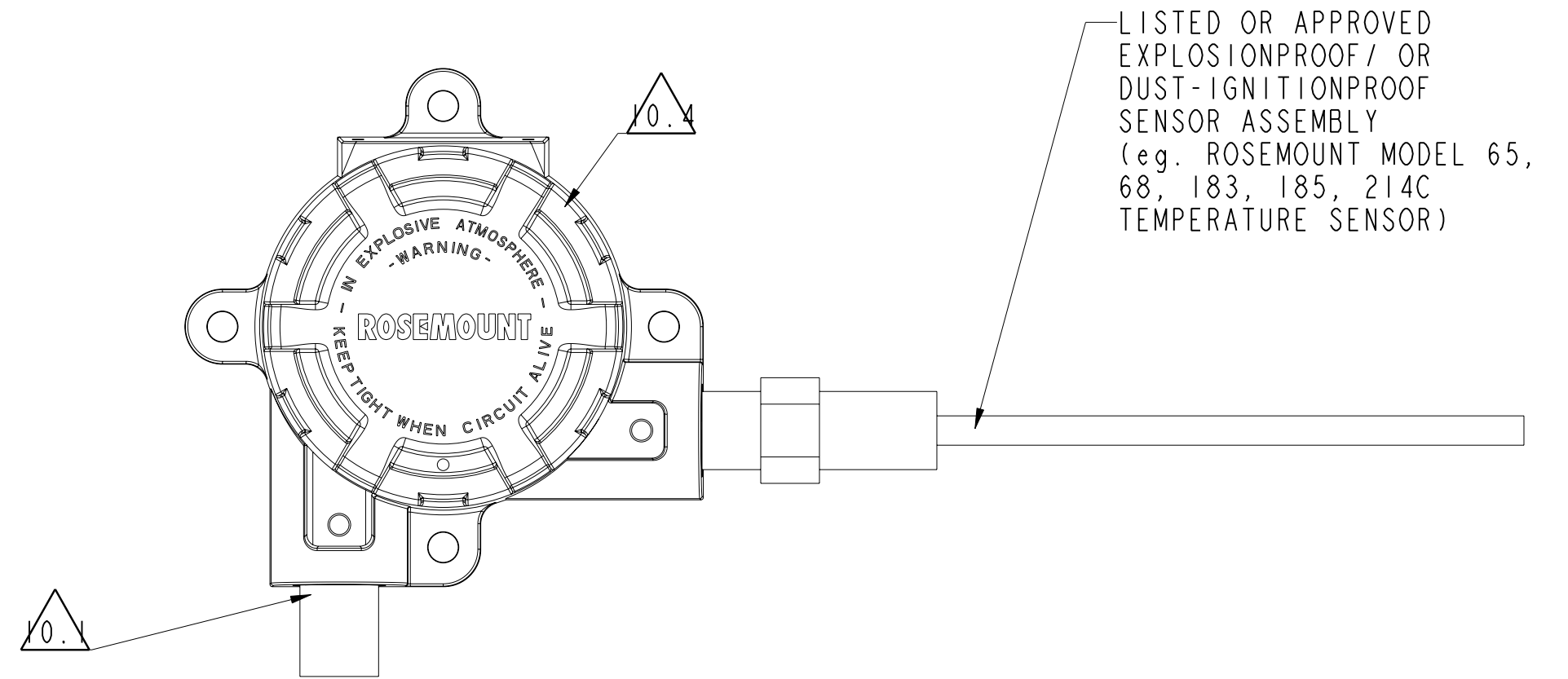
DIN STYLE DIRECT MOUNT SENSOR CONFIGURATION
(ENCLOSURE OPTION A OR G, SENSOR CODE DR, DJ, DK, ZR, ZJ, ZK, XA)

DRAWING NO. 00644-1059

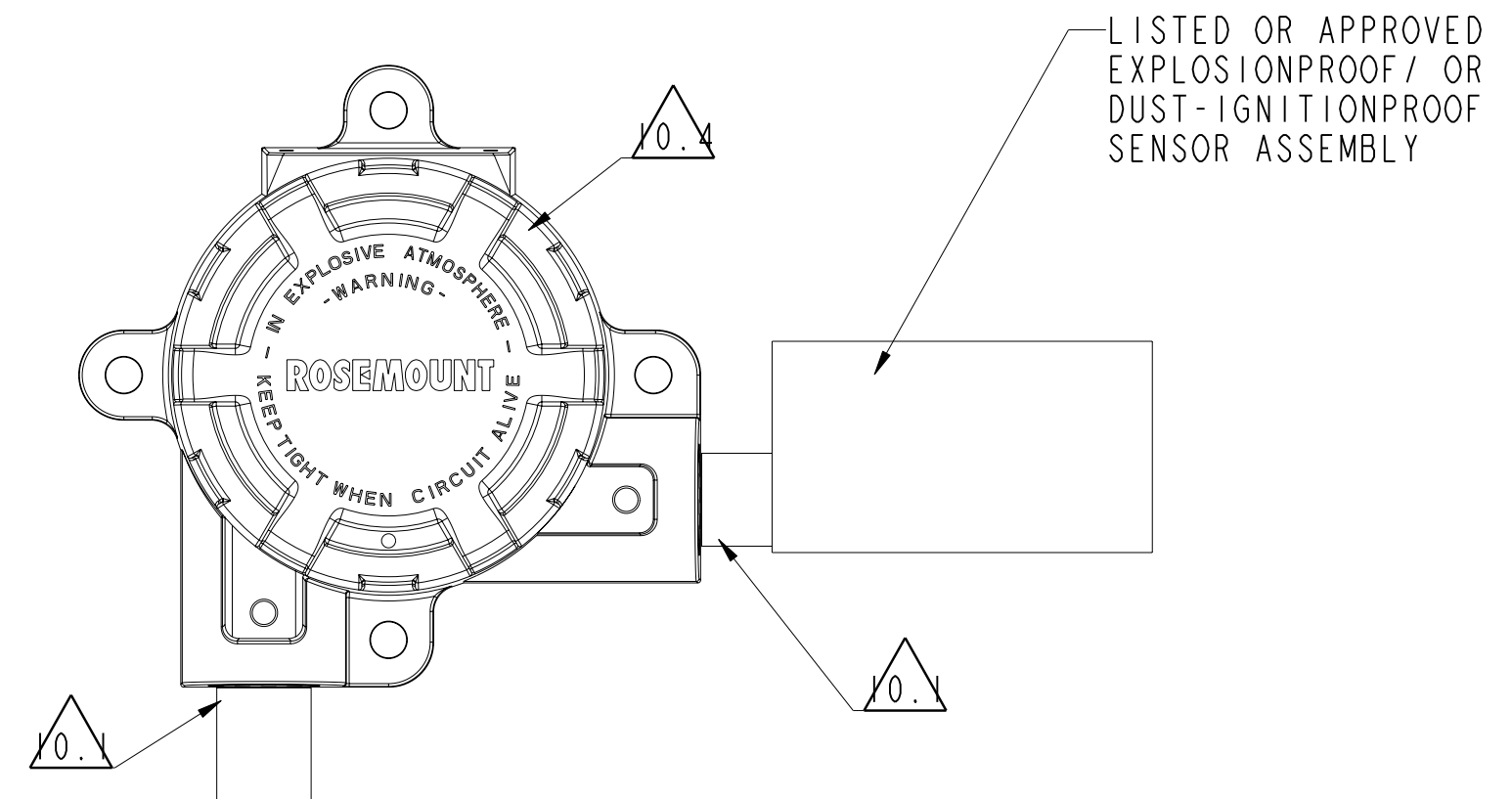
| | | | | | | | |
|---|------------------|---|--|-------------------------|--------------|-----------|---------------|
| CONFIDENTIAL AND PROPRIETARY INFORMATION IS CONTAINED HEREIN AND MUST BE HANDLED ACCORDINGLY. | | SURFACE FINISH UNLESS OTHERWISE SPECIFIED <input checked="" type="checkbox"/> | | 3RD ANGLE | SIZE C | SCALE 3:4 | REV AL |
| UNLESS OTHERWISE SPECIFIED DIMENSIONS IN INCHES (mm). REMOVE ALL BURRS AND SHARP EDGES. | | EMERSON ROSEMOUNT | | | | | |
| -DEC TOLERANCES- | | TITLE INSTAL. DRW: 644, 148, 248 CSA EXPLOSIONPROOF | | | | | |
| .X ± .1 [2.5] | .XX ± .02 [0.5] | DR. PAUL BEDNEY 4/12/00 | | DRAWING NO. 00644-1059 | | | |
| .XXX ± .010 [0.25] | FRACTIONS ± 1/32 | APP'D D. BAUSCHKE 1/16/03 | | | | | |
| ANGLES ± 2° | | DO NOT SCALE PRINT | | CAD MAINTAINED. (PRO/E) | PRODUCT CODE | DOC TYPE | SHEET 9 OF 10 |

HAZARDOUS (CLASSIFIED) LOCATION

EXPLOSION PROOF FOR CLASS I, DIV. 1, GROUPS B, C, D
 DUST-IGNITION PROOF FOR CLASS II/ III, DIV. 1, GROUPS E, F, G:
 NONINCENDIVE FOR CLASS I, DIV 2, GROUPS A, B, C, D.
 AMBIENT TEMPERATURE LIMITS: -50°C TO +85°C.



DIRECT MOUNT SENSOR CONFIGURATION
 (ENCLOSURE OPTION U OR H)



REMOTE MOUNT SENSOR CONFIGURATION
 (ENCLOSURE OPTION U OR H)

10.8 WHEN SUPPLIED WITH ROSEMOUNT MODEL 65, 68, 183 OR 185 TEMPERATURE SENSOR, THE AMBIENT TEMPERATURE RATING IS DERATED TO -40°C TO 85°C.

10.7 SPRING LOADED TEMPERATURE SENSORS MUST BE PLACED IN A LISTED OR APPROVED THERMOWELL RATED FOR APPROPRIATE AREA CLASIFICATION TO PROVIDE A SEAL FOR THE PROCESS.

10.6 TEMPERATURE SENSOR ASSEMBLY MUST BE CSA APPROVED FOR APPROPRIATE AREA CLASSIFICATION.

10.5 CONDUIT AND SENSOR MUST BE ASSEMBLED TO UNIVERSAL HEAD AND ROSEMOUNT CONNECTION HEAD USING THREAD SEALANT OR TAPE.

 CSA EXPLOSIONPROOF ENCLOSURE OPTIONS: A, U, G, J, K, OR H.

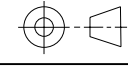
10.3 FOR FIELD WIRING CONNECTIONS IN AMBIENT TEMPERATURES ABOVE 60° USE WIRING RATED TO AT LEAST 90°C.

10.2 ALL CONDUIT THREADS MUST BE ASSEMBLED WITH A MINIMUM OF FIVE FULL THREADS ENGAGEMENT.

 INSTALL PER NATIONAL ELECTRICAL CODE (NEC). CONDUIT SEAL NOT REQUIRED FOR COMPLIANCE WITH NEC 501-5a(1).

NOTES:

DRAWING NO. 00644-1059

| | | | | | | | |
|---|-------------|---|--|---|--------------|------------|----------------|
| CONFIDENTIAL AND PROPRIETARY INFORMATION IS CONTAINED HEREIN AND MUST BE HANDLED ACCORDINGLY. | | SURFACE FINISH UNLESS OTHERWISE SPECIFIED <input checked="" type="checkbox"/> | | 3RD ANGLE  | SIZE C | SCALE 3:4 | REV AL |
| UNLESS OTHERWISE SPECIFIED DIMENSIONS IN INCHES (mm). REMOVE ALL BURRS AND SHARP EDGES. | | EMERSON ROSEMOUNT | | | | | |
| -DEC TOLERANCES- | | TITLE INSTAL. DRW: 644, 148, 248 | | | | | |
| .X ± .1 [2.5] | | CSA EXPLOSIONPROOF | | | | | |
| .XX ± .02 [0.5] | | DR. PAUL BEDNEY 4/12/00 | | DRAWING NO. | | 00644-1059 | |
| .XXX ± .010 [0.25] | | APP'D D. BAUSCHKE 1/16/03 | | | | | |
| FRACTIONS ± 1/32 | ANGLES ± 2° | DO NOT SCALE PRINT | | CAD MAINTAINED. (PRO/ε) | PRODUCT CODE | DOC TYPE | SHEET 10 OF 10 |