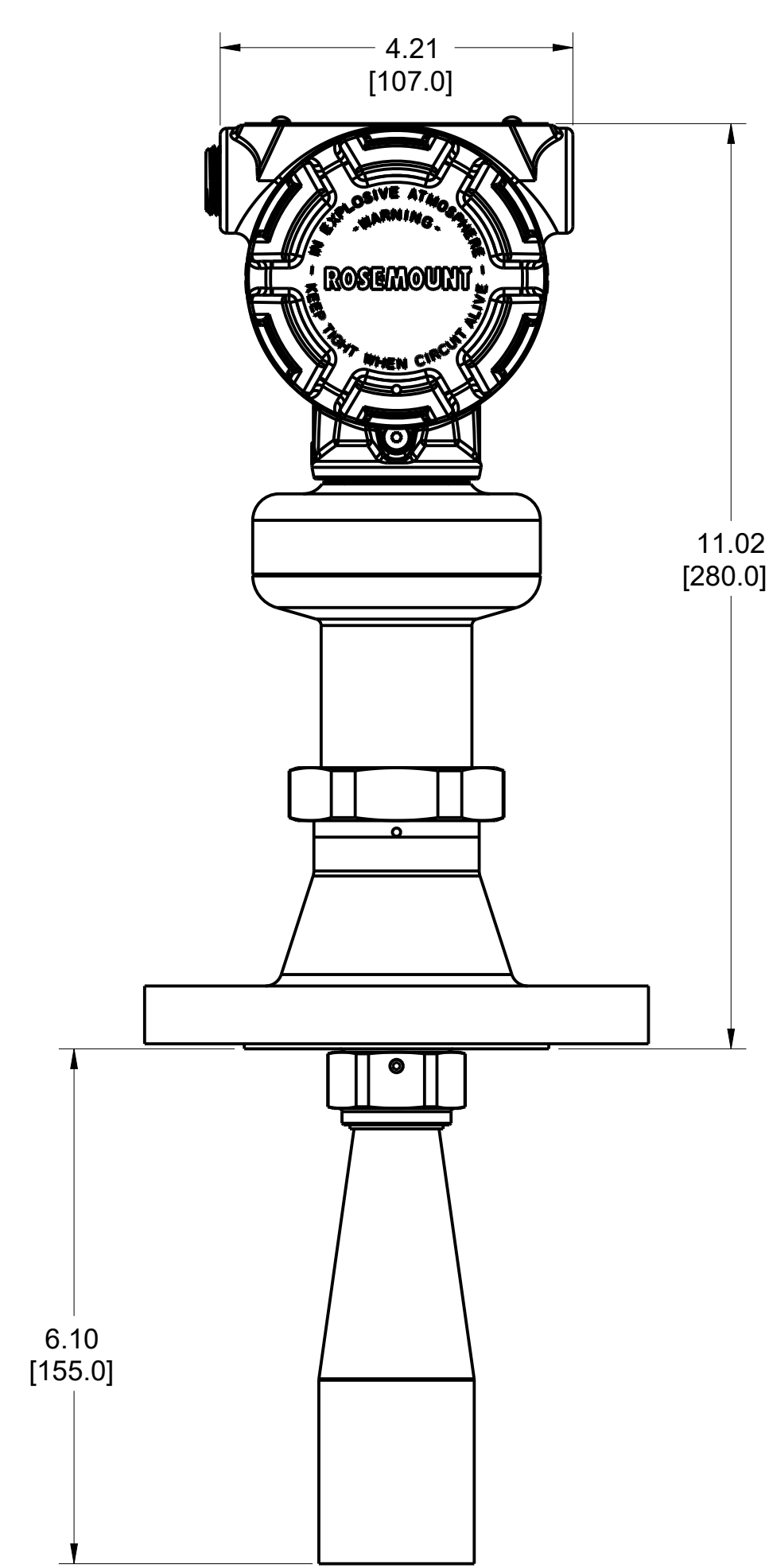


ROSEMOUNT 5408 RADAR LEVEL TRANSMITTER

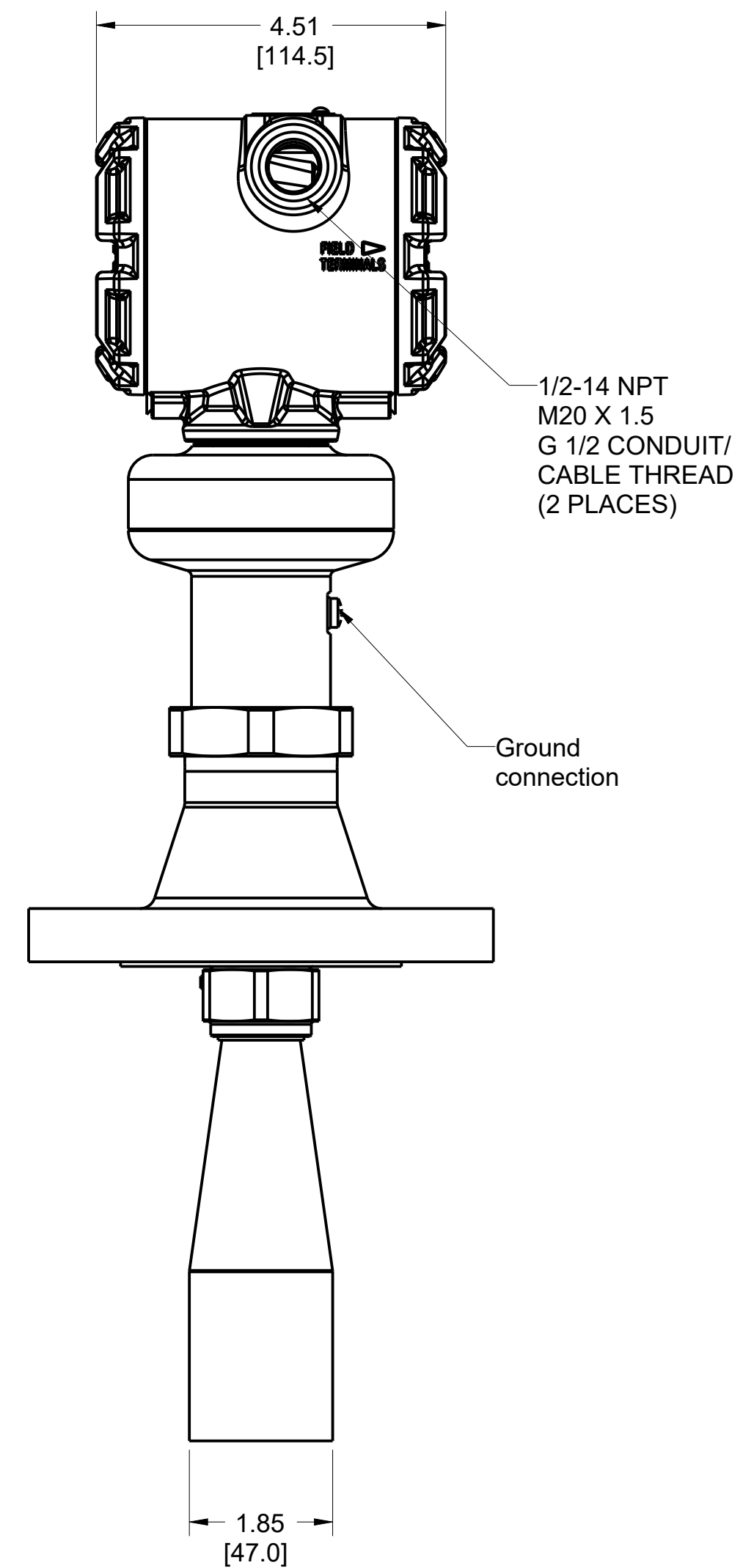
REVISION TABLE			
REVISION	ECO NO.	APP'D	DATE
AC	RTC1072845	M. RASTAS	4/15/19
DESCRIPTION			
ADD 4" TRI-CLAMP			

2" CONE ANTENNA W/ HOUSING

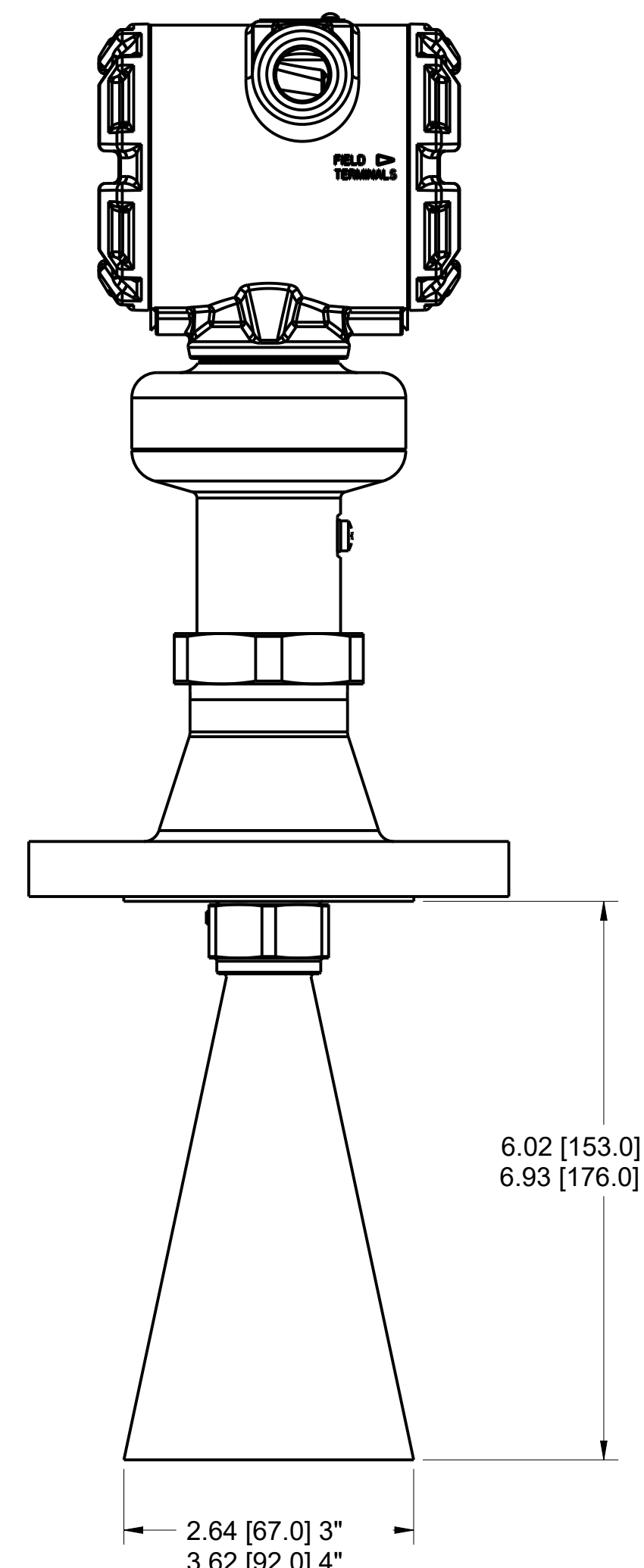


CONE ANTENNA 2" LENGTH

3" AND 4" CONE ANTENNA W/ HOUSING

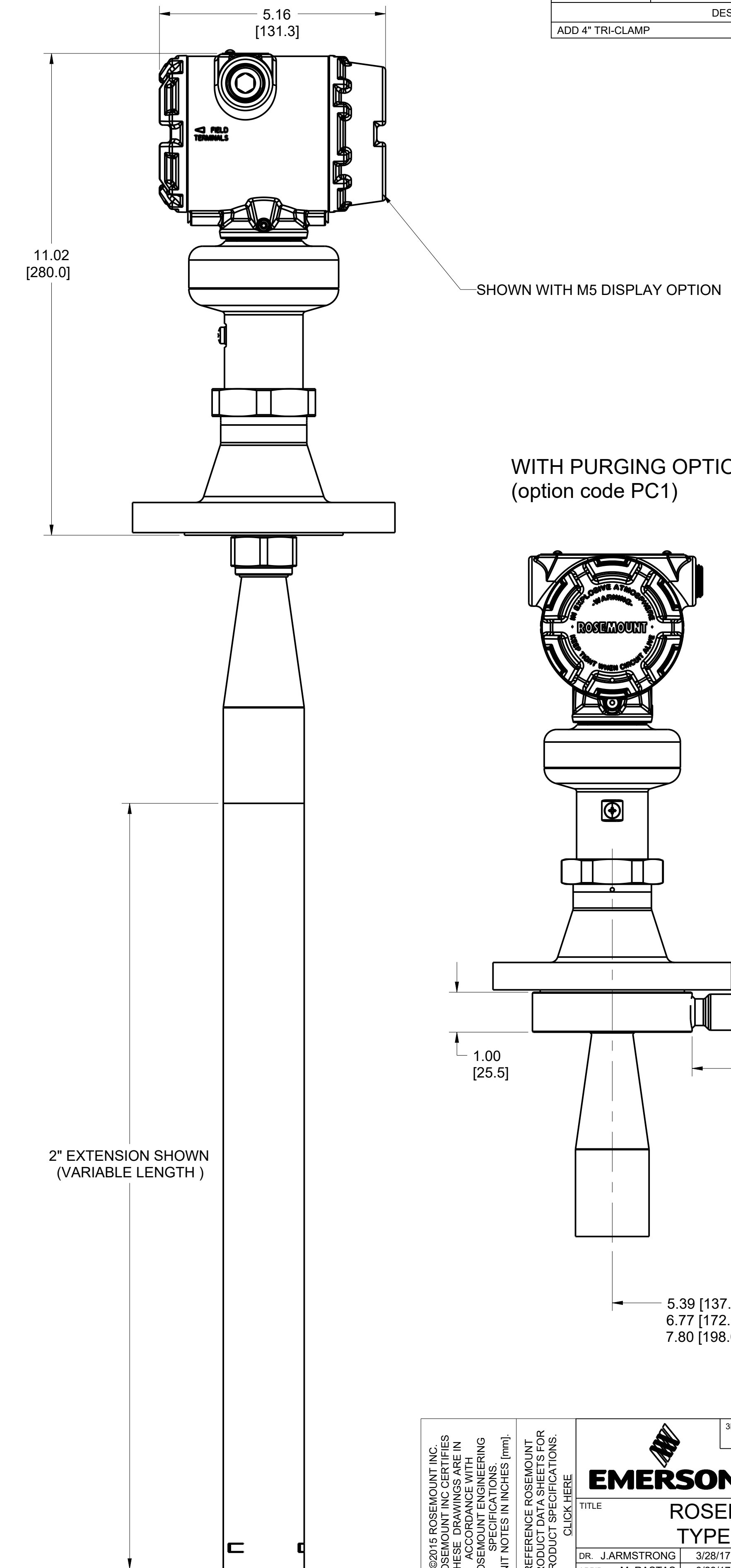


CONE DIAMETER FOR 2" ANTENNA

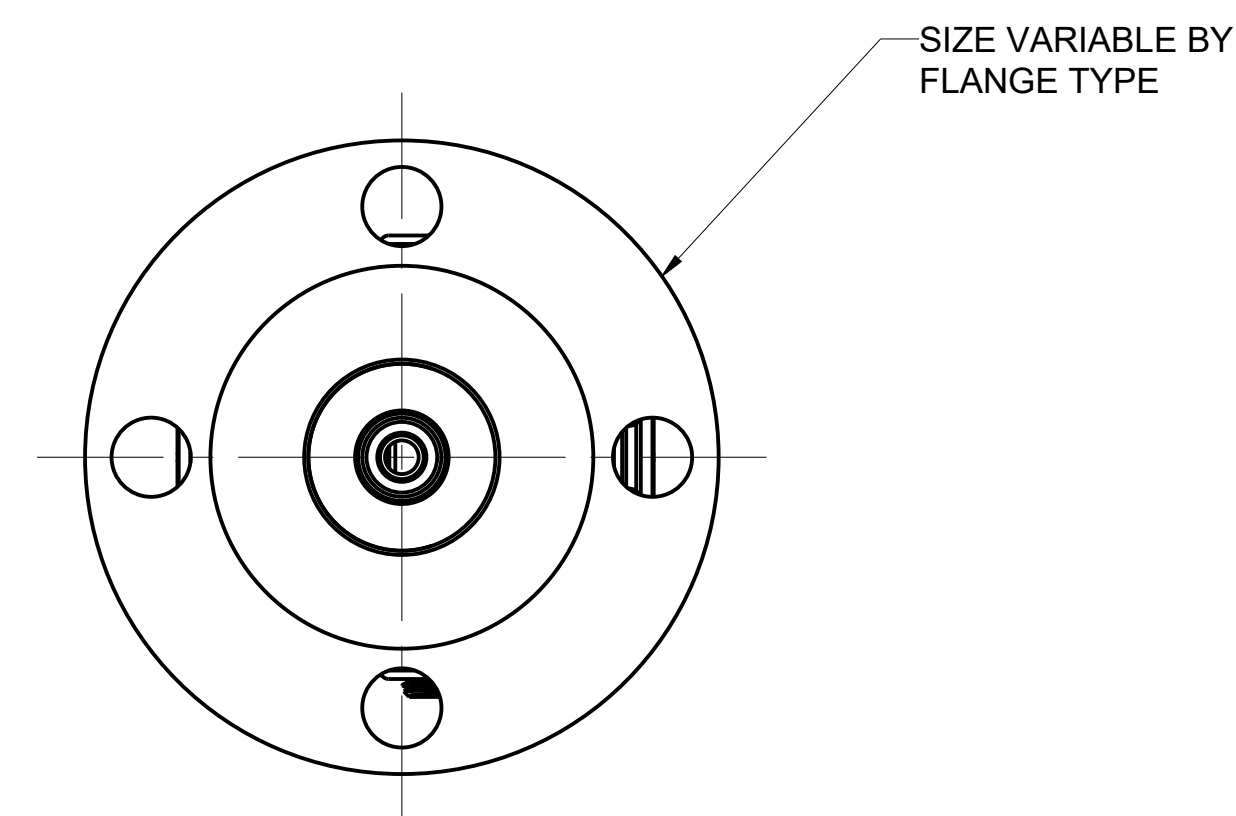
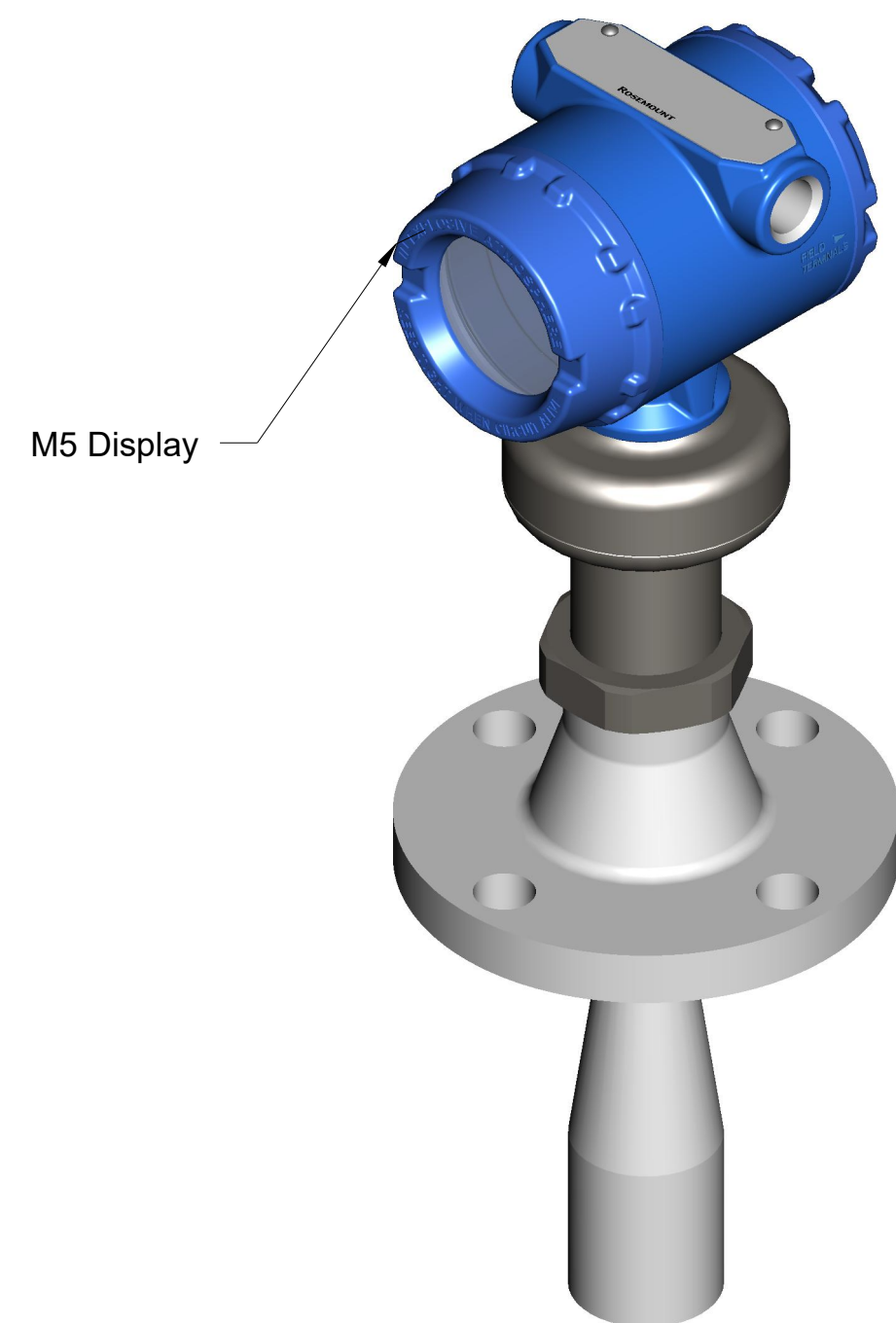


CONE ANTENNA FOR 3" AND 4" ANTENNA

WITH EXTENDED ANTENNA



WITH PURGING OPTION
(option code PC1)



©2015 ROSEMOUNT INC.
ROSEMOUNT INC. CERTIFIES
THIS DRAWING IS IN
ACCORDANCE WITH
ROSEMOUNT ENGINEERING
SPECIFICATIONS.
UNIT NOTES IN INCHES (mm).
REFERENCE ROSEMOUNT
PRODUCT SPECIFICATIONS.
CLICK HERE

3RD ANGLE

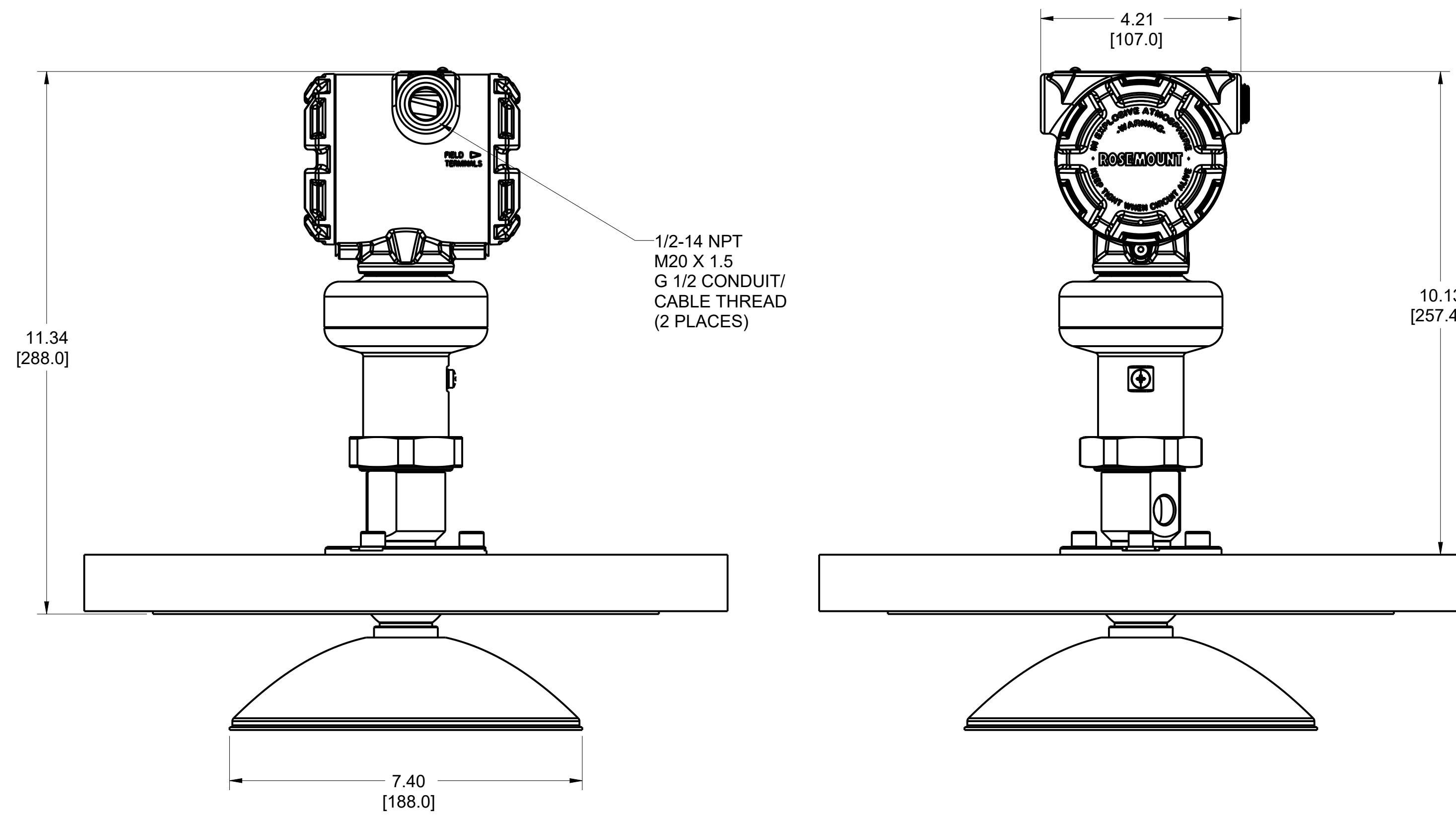
EMERSON

TITLE
**ROSEMOUNT 5408
TYPE I DRAWING**

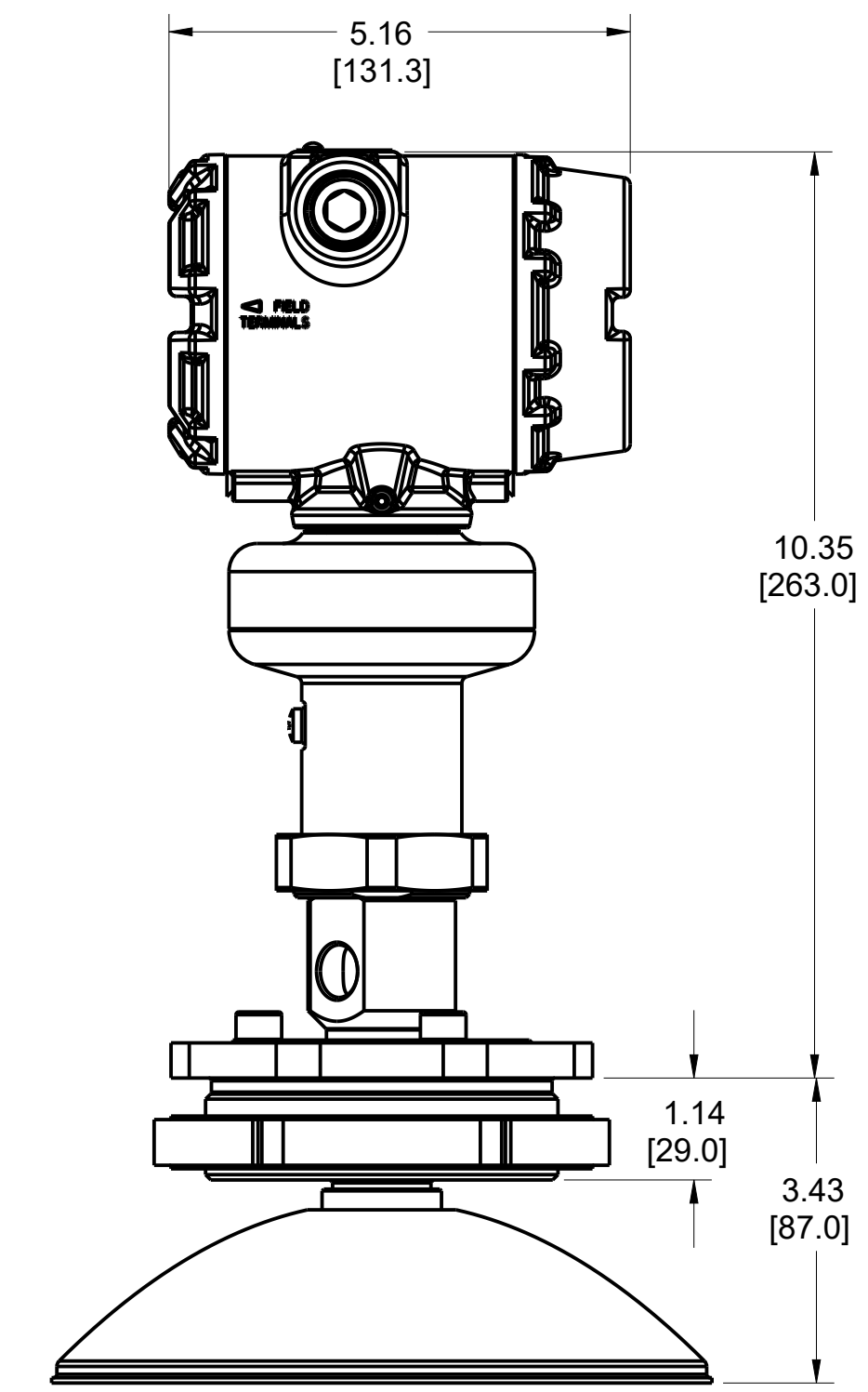
DR. J. ARMSTRONG	3/28/17	DRAWING NO.	
APP'D M. RASTAS	3/28/17		05408-7000
CAD MAINTAINED, (PROE)			SHEET 1 OF 5

ROSEMOUNT 5408 RADAR LEVEL TRANSMITTER

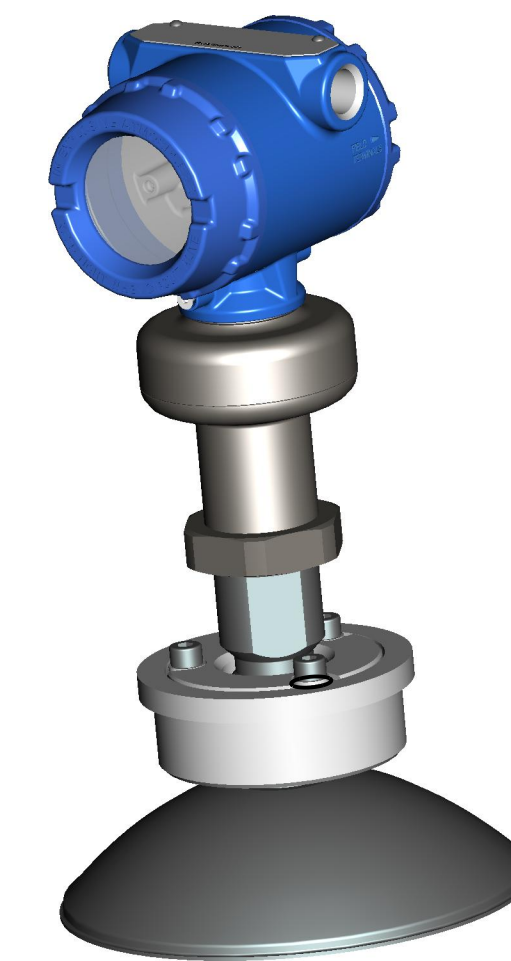
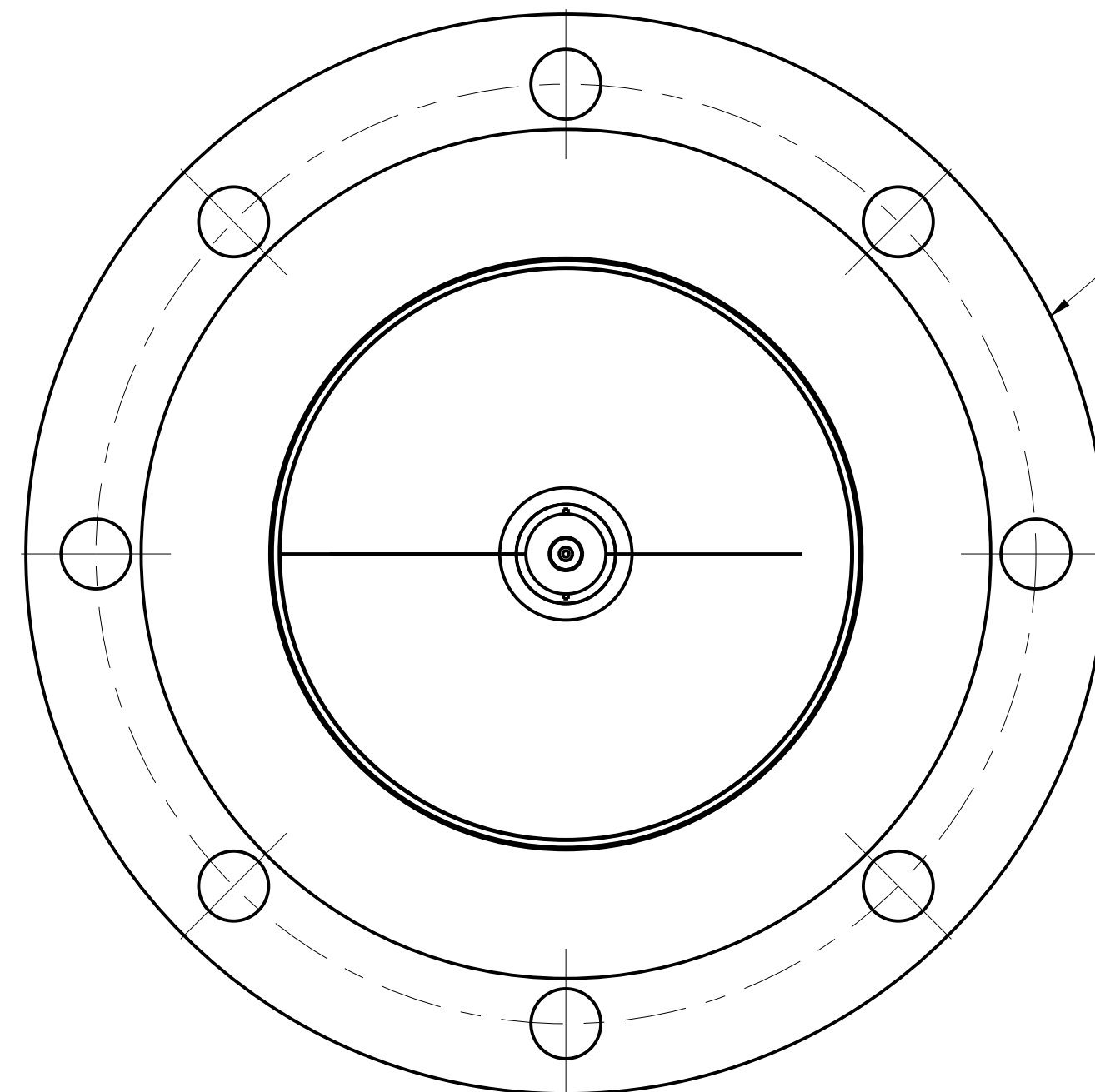
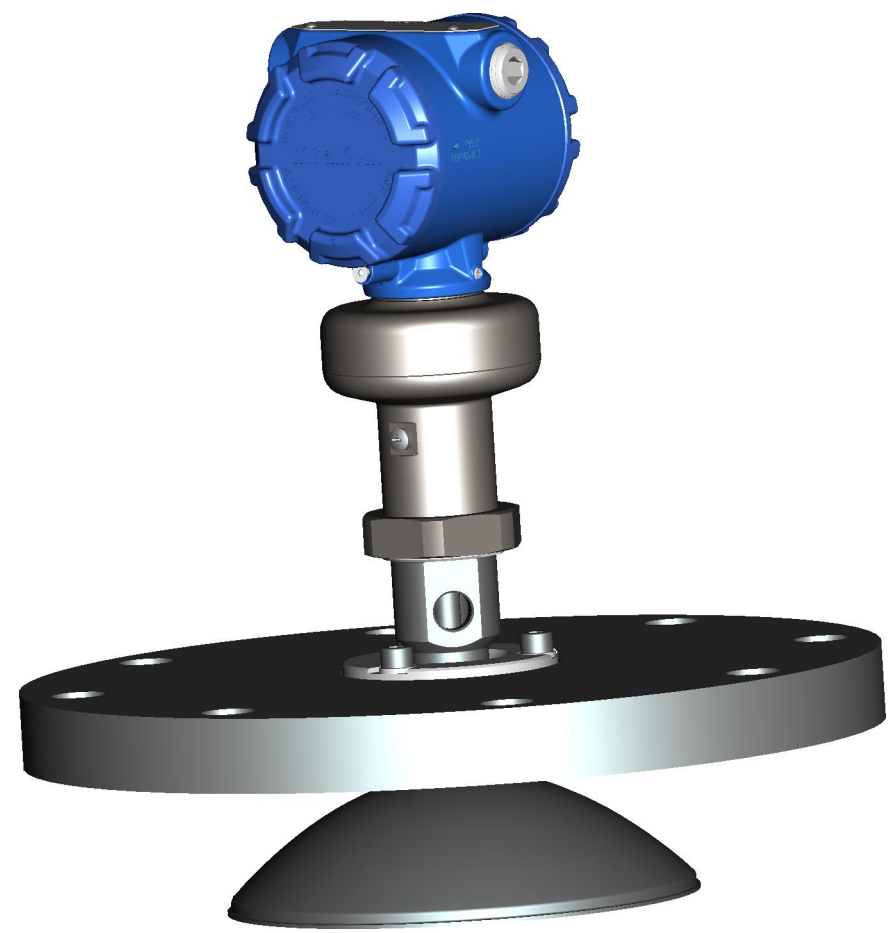
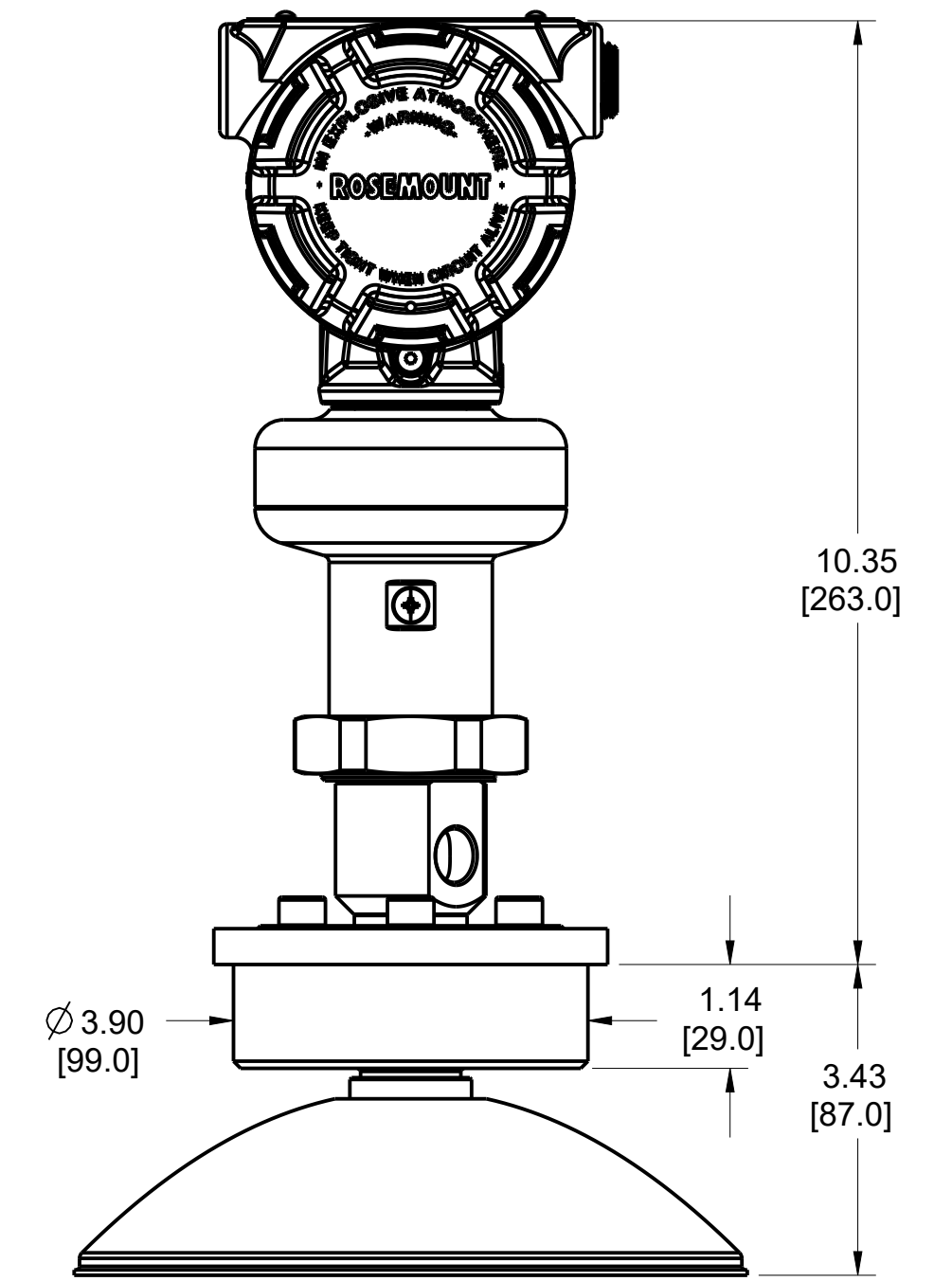
SHOWN WITH PARABOLIC ANTENNA
FLANGE CONNECTION



SHOWN WITH PARABOLIC ANTENNA
THREAD CONNECTION



SHOWN WITH PARABOLIC ANTENNA
WELD CONNECTION



©2015 ROSEMOUNT INC.
ROSEMOUNT INC. CERTIFIES
THIS DRAWING IS IN
ACCORDANCE WITH
ROSEMOUNT ENGINEERING
SPECIFICATIONS.
UNIT NOTES IN INCHES (mm).
REFERENCE ROSEMOUNT
PRODUCT SPECIFICATIONS.
CLICK HERE

EMERSON

TITLE
**ROSEMOUNT 5408
TYPE I DRAWING**

DR. J.ARMSTRONG	3/28/17	DRAWING NO.	
APP'D M.RASTAS	3/28/17		05408-7000
CAD MAINTAINED, (PRO/E)			SHEET 2 OF 5

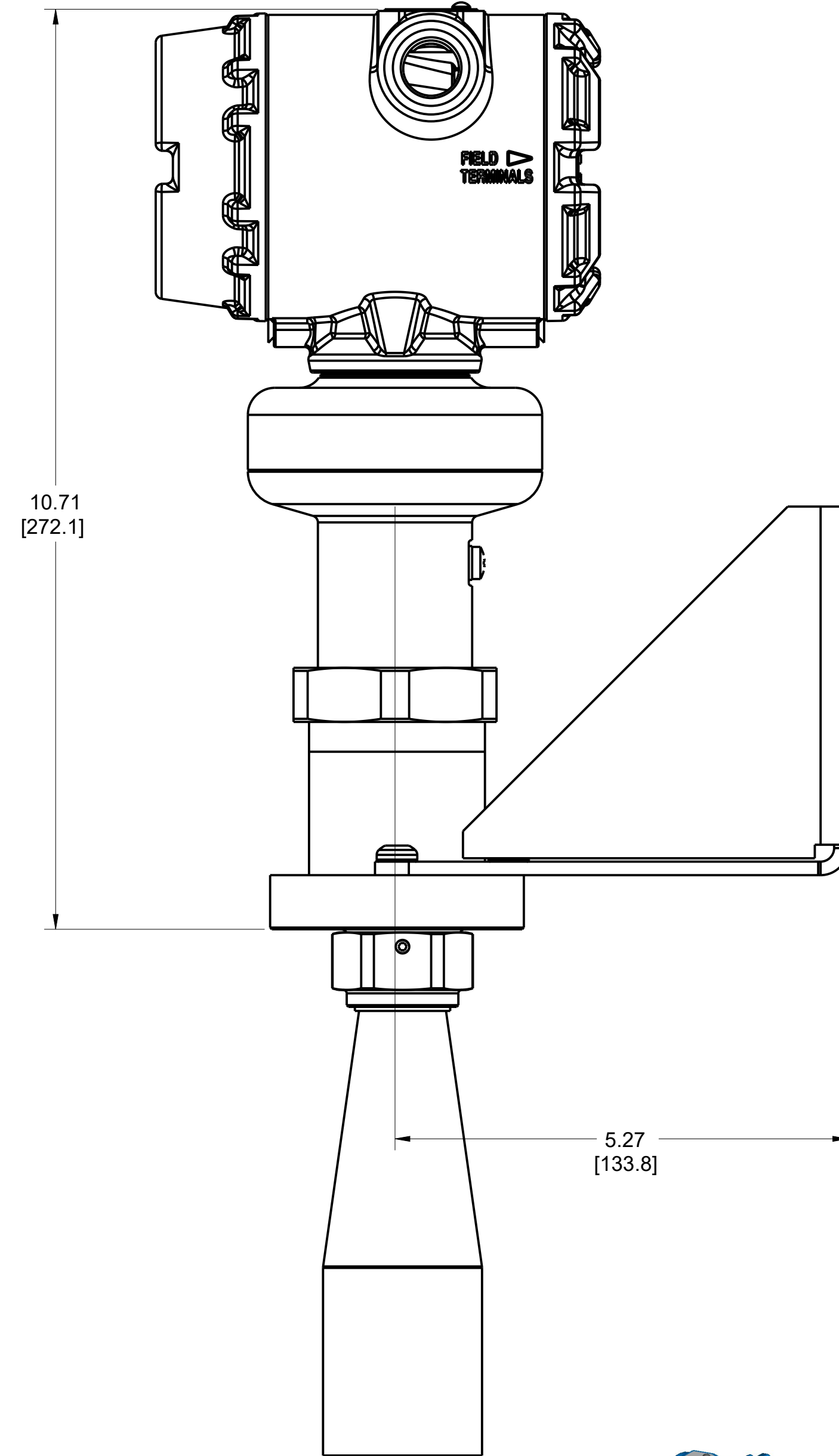
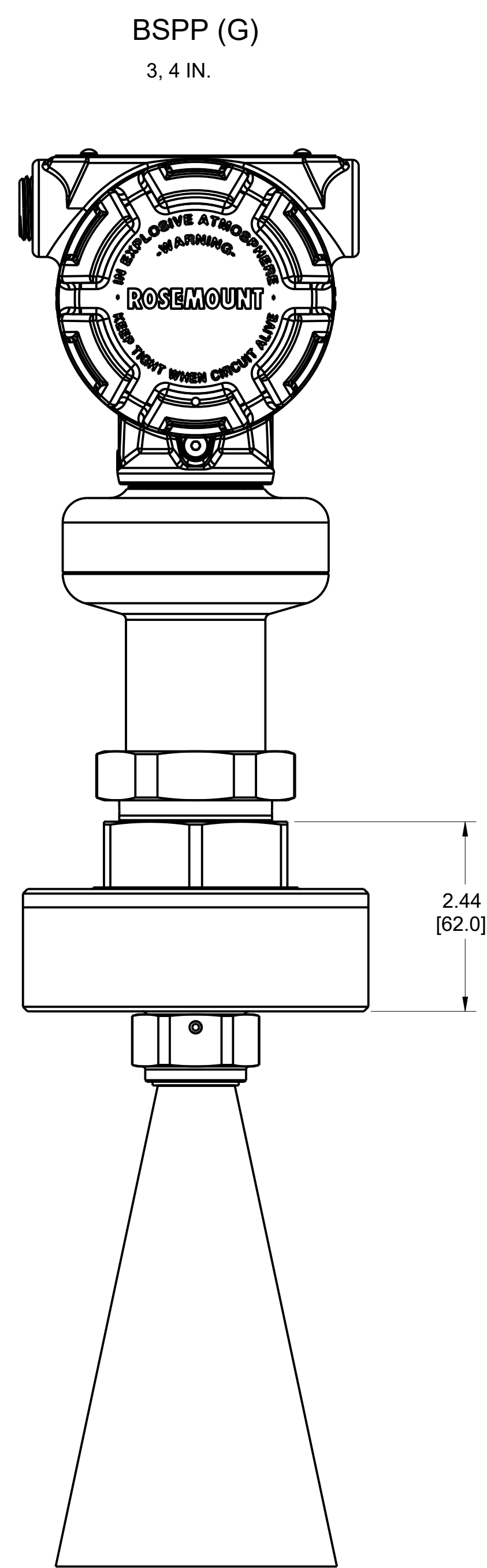
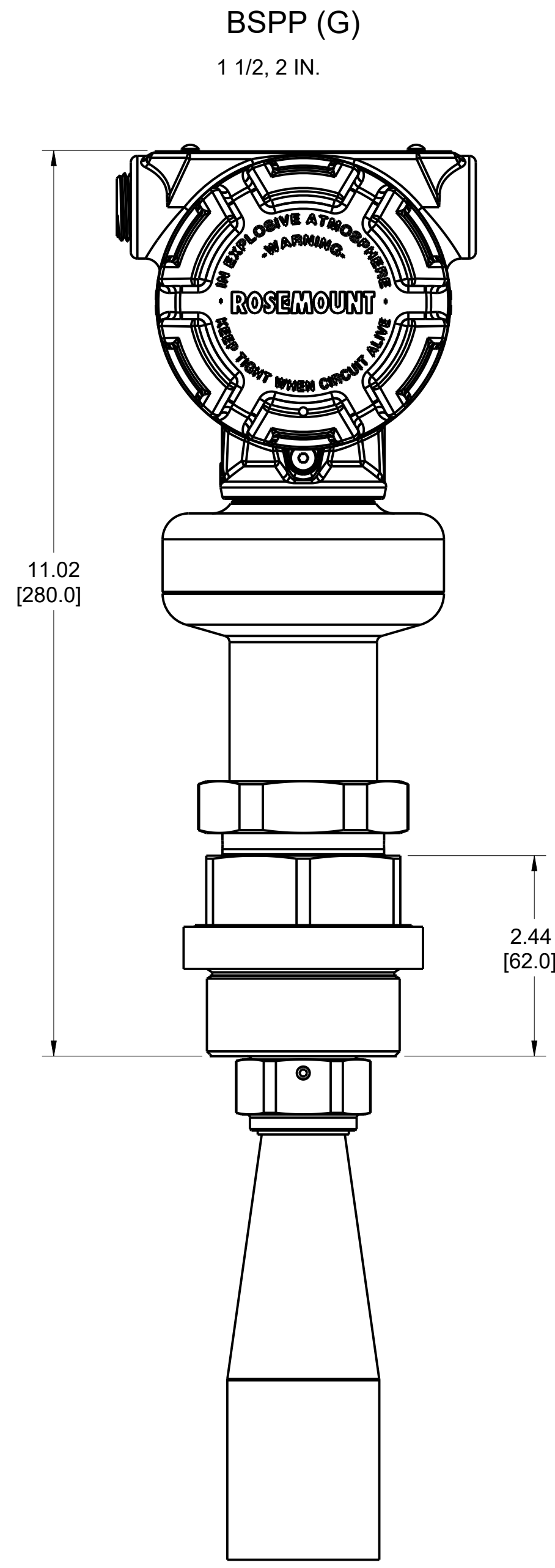
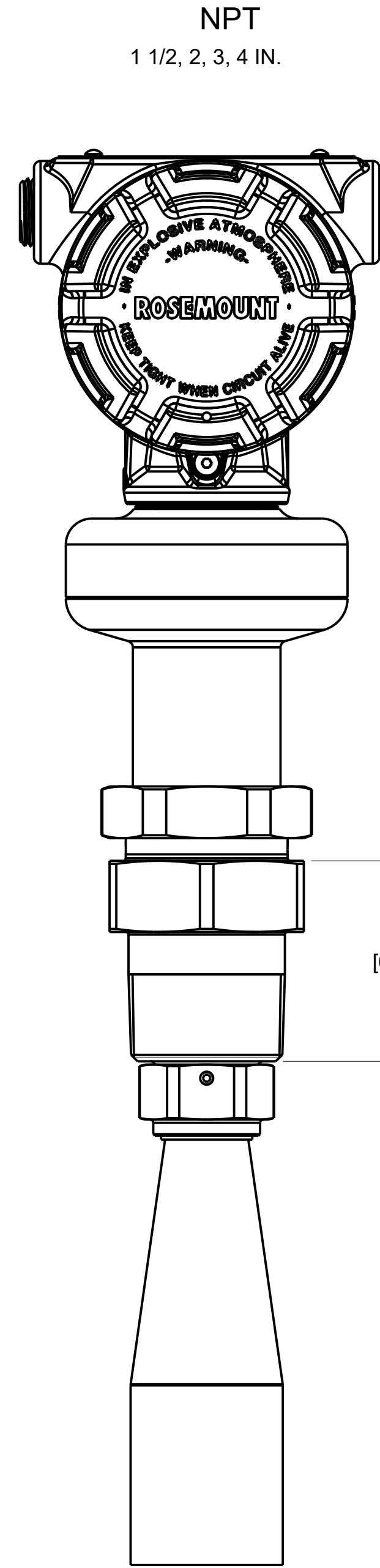
3RD ANGLE

SIZE D

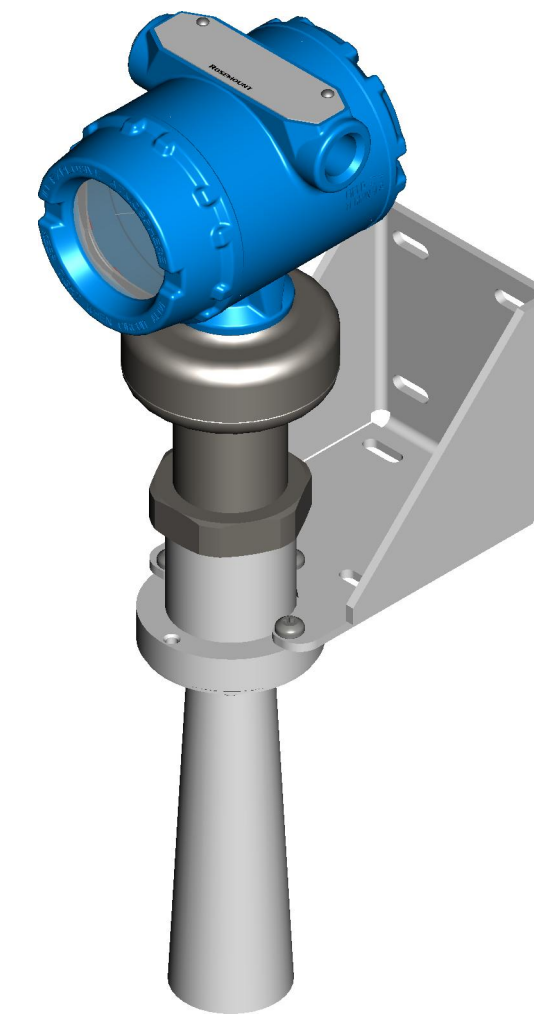
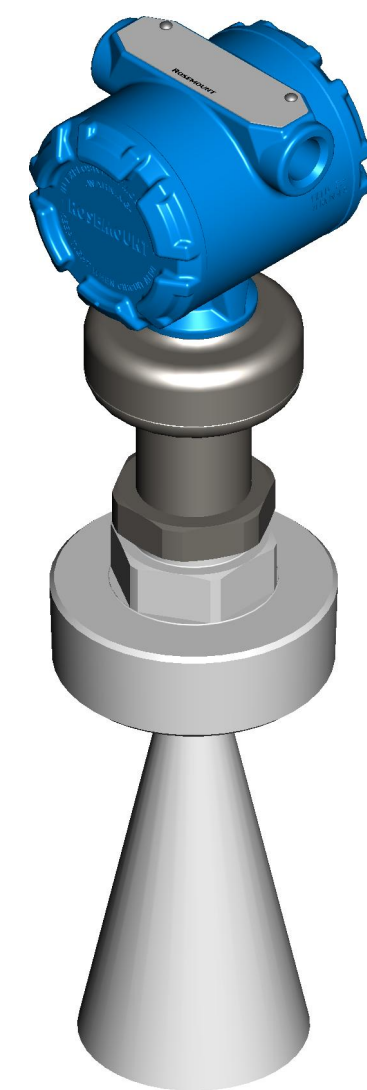
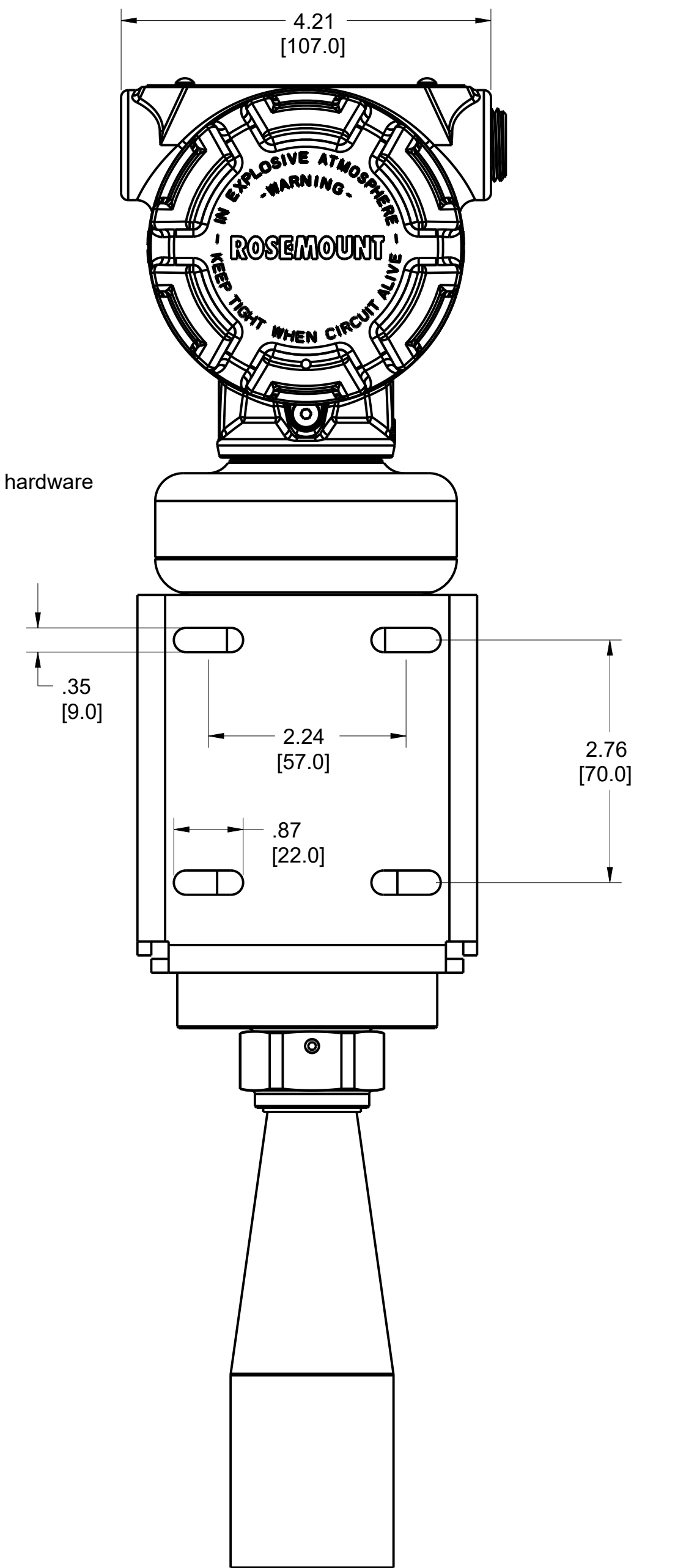
SCALE NTS

ROSEMOUNT 5408 RADAR LEVEL TRANSMITTER

BRACKET MOUNTING



BRACKET
(other included hardware
not shown)



©2015 ROSEMOUNT INC.
ROSEMOUNT INC. CERTIFIES
THIS DRAWING IS MADE
IN ACCORDANCE WITH
ROSEMOUNT ENGINEERING
SPECIFICATIONS.
UNIT NOTES IN INCHES (mm).
REFERENCE ROSEMOUNT
PRODUCT SPECIFICATIONS.
CLICK HERE

3RD ANGLE

EMERSON

TITLE
**ROSEMOUNT 5408
TYPE I DRAWING**

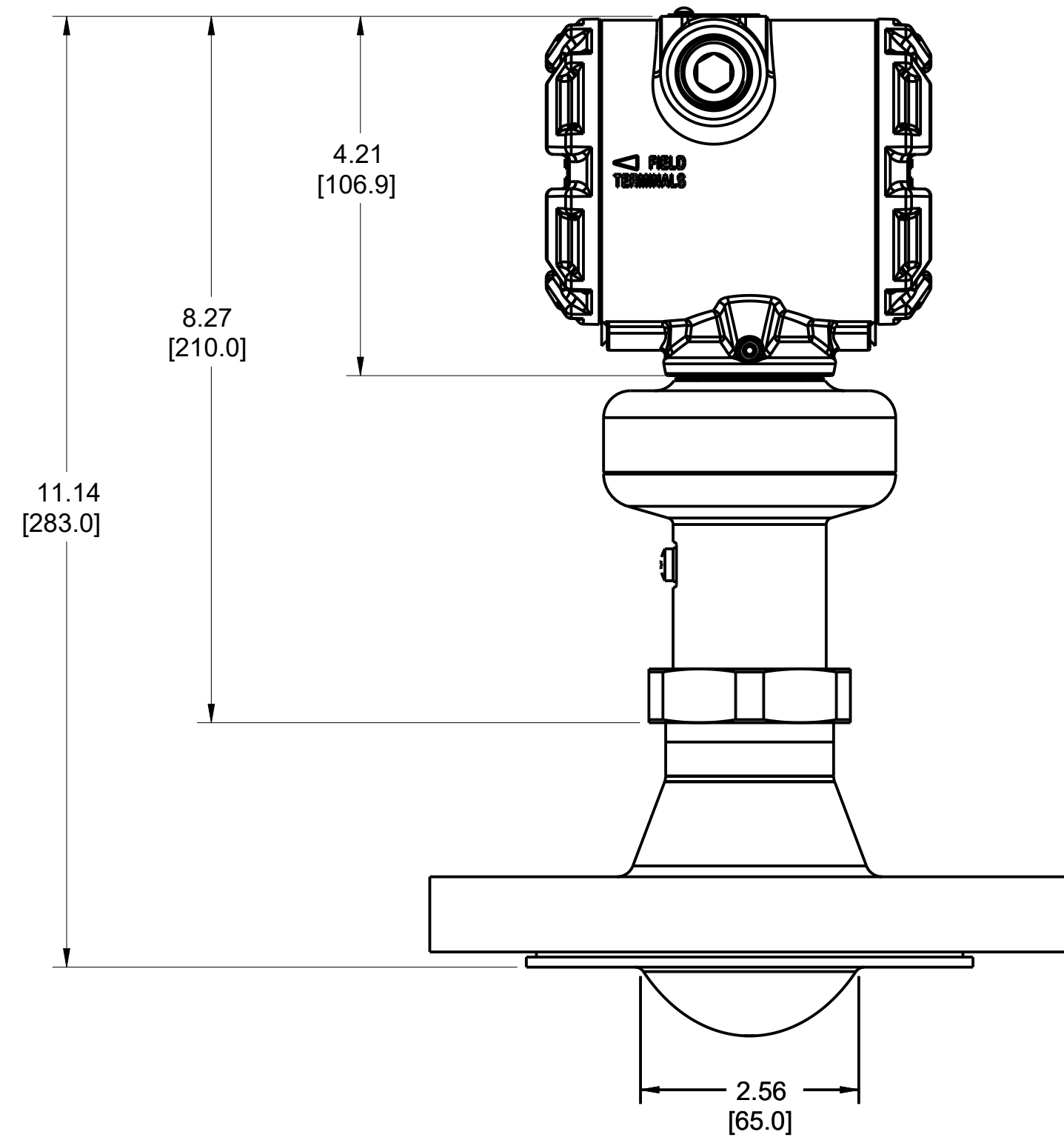
DR. J.ARMSTRONG	3/28/17	DRAWING NO.	
APP'D M.RASTAS	3/28/17		05408-7000
CAD MAINTAINED, (PRO/E)			SHEET 3 OF 5

SIZE D SCALE NTS

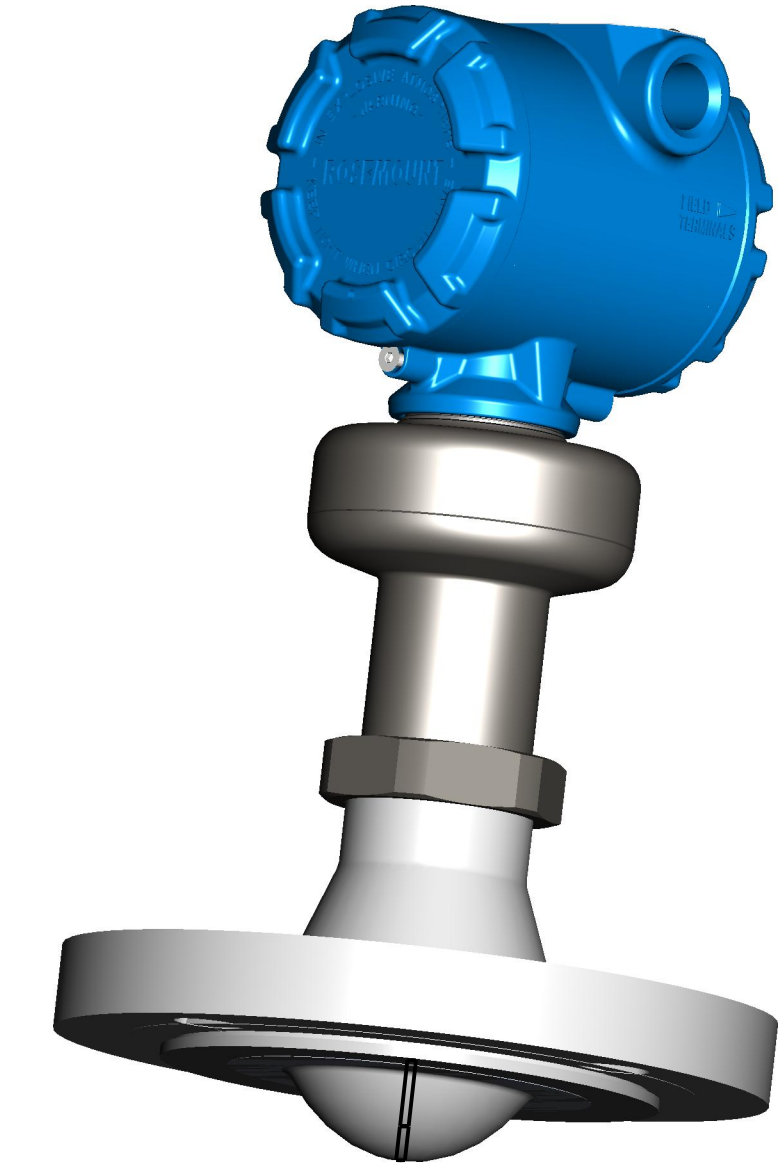
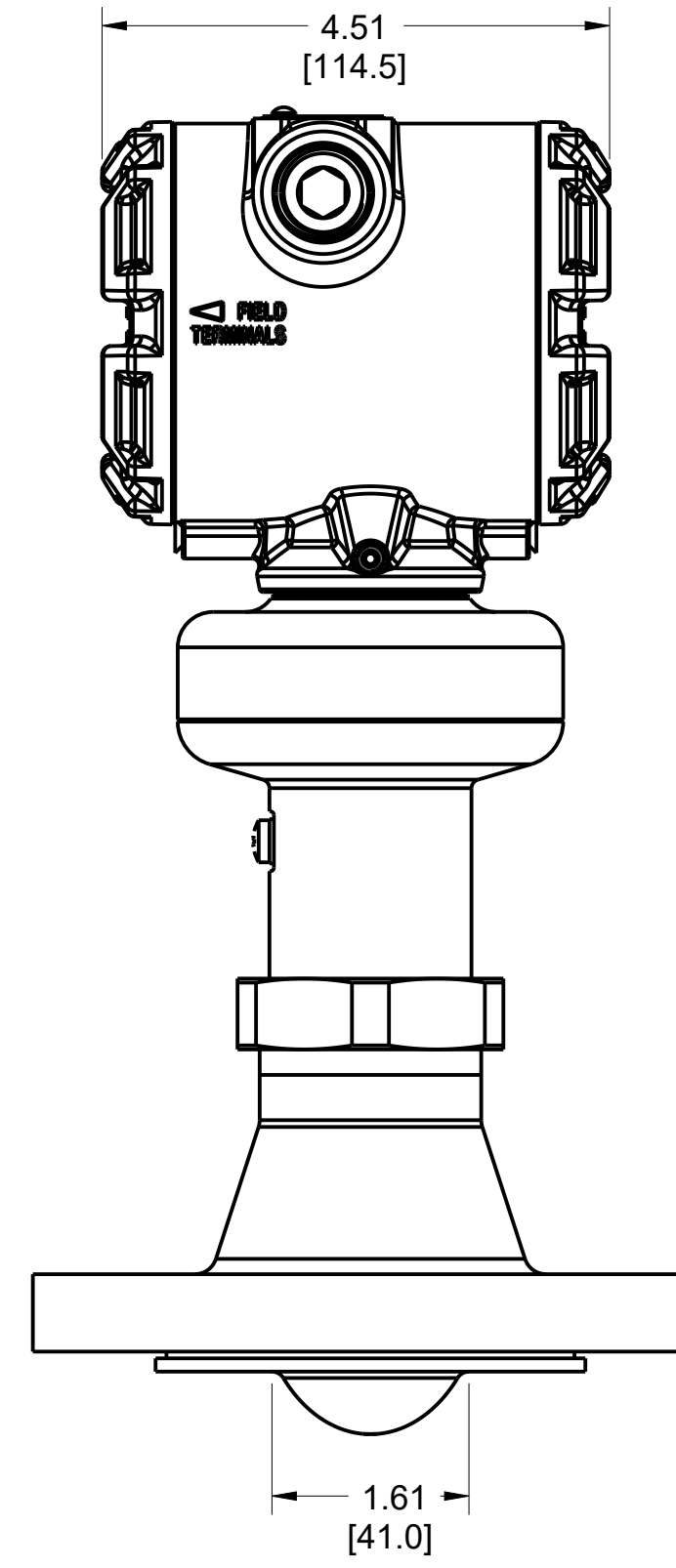
ROSEMOUNT 5408 RADAR LEVEL TRANSMITTER

PROCESS SEAL CONNECTION

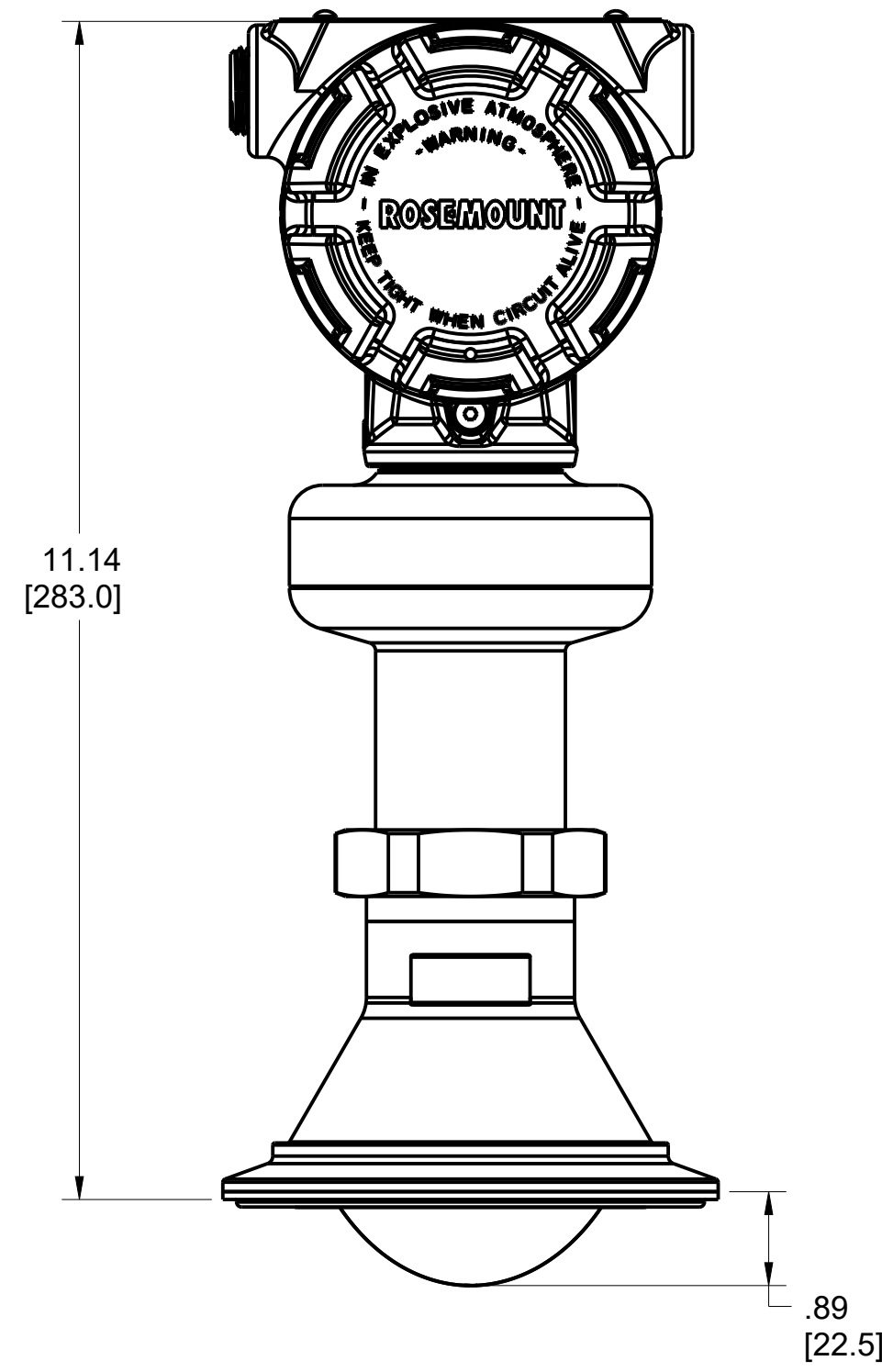
FLANGE TYPE
3" & 4"



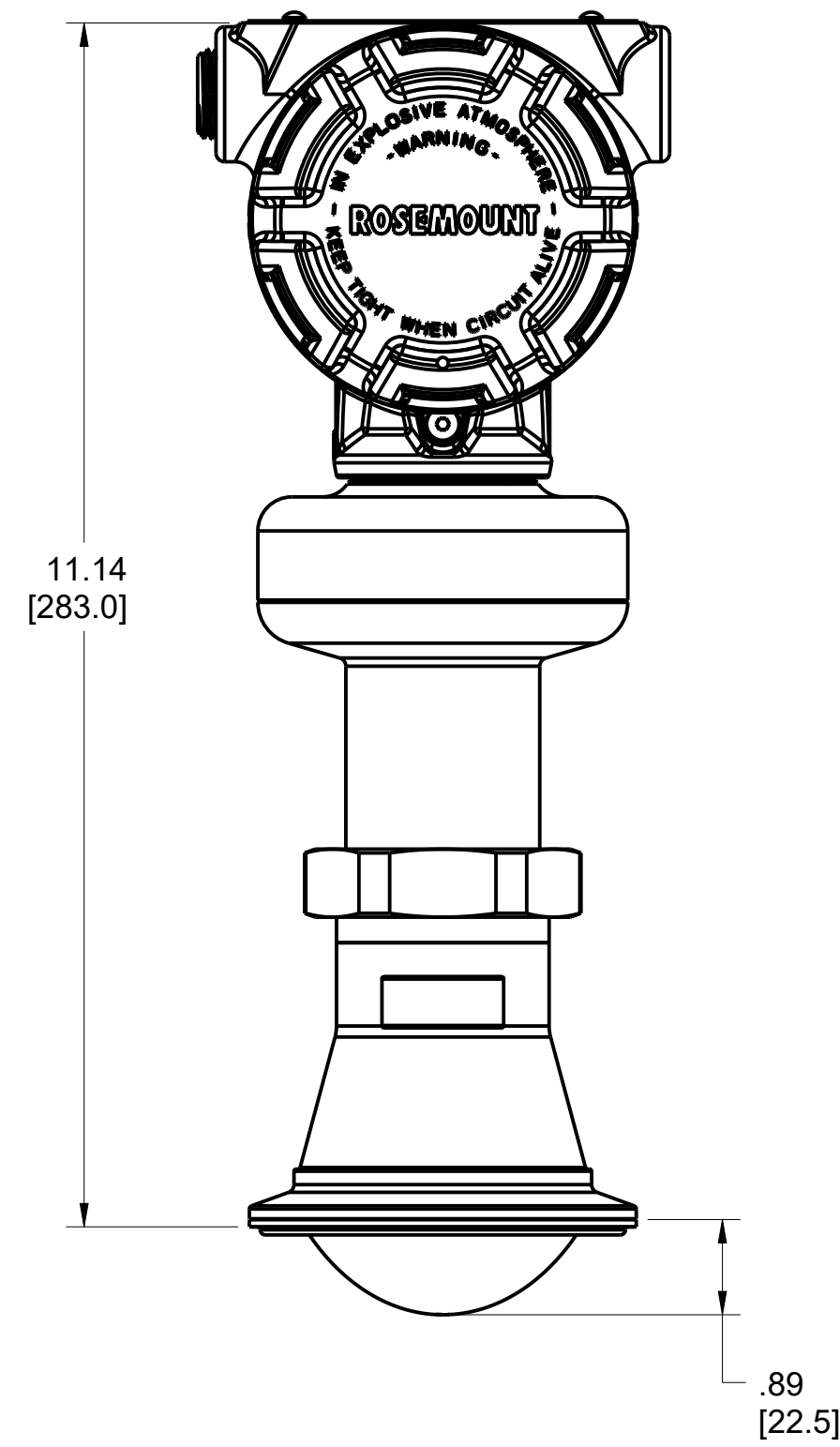
FLANGE TYPE
2"



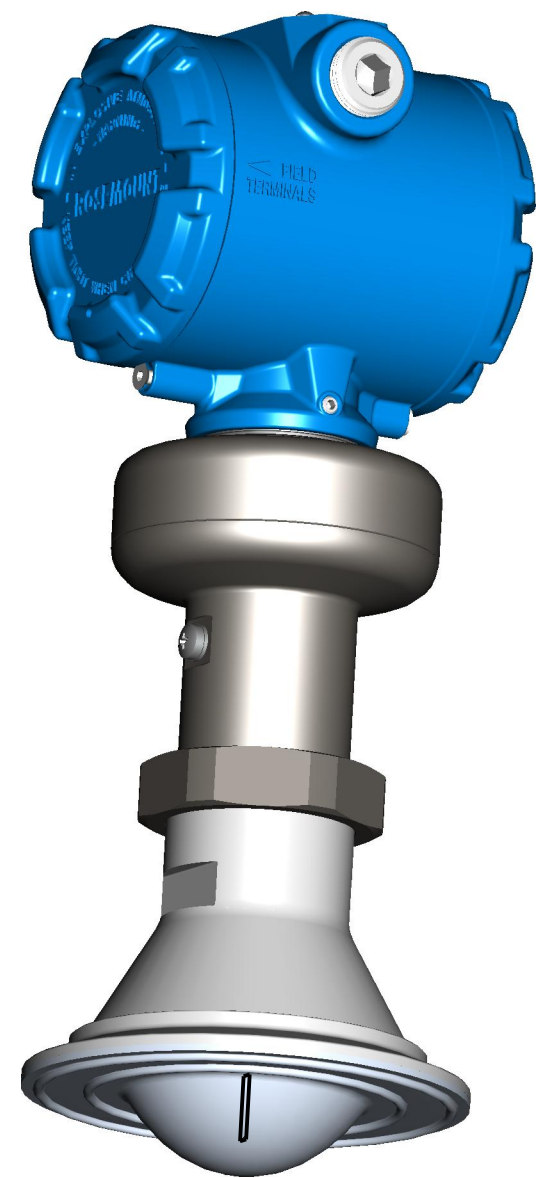
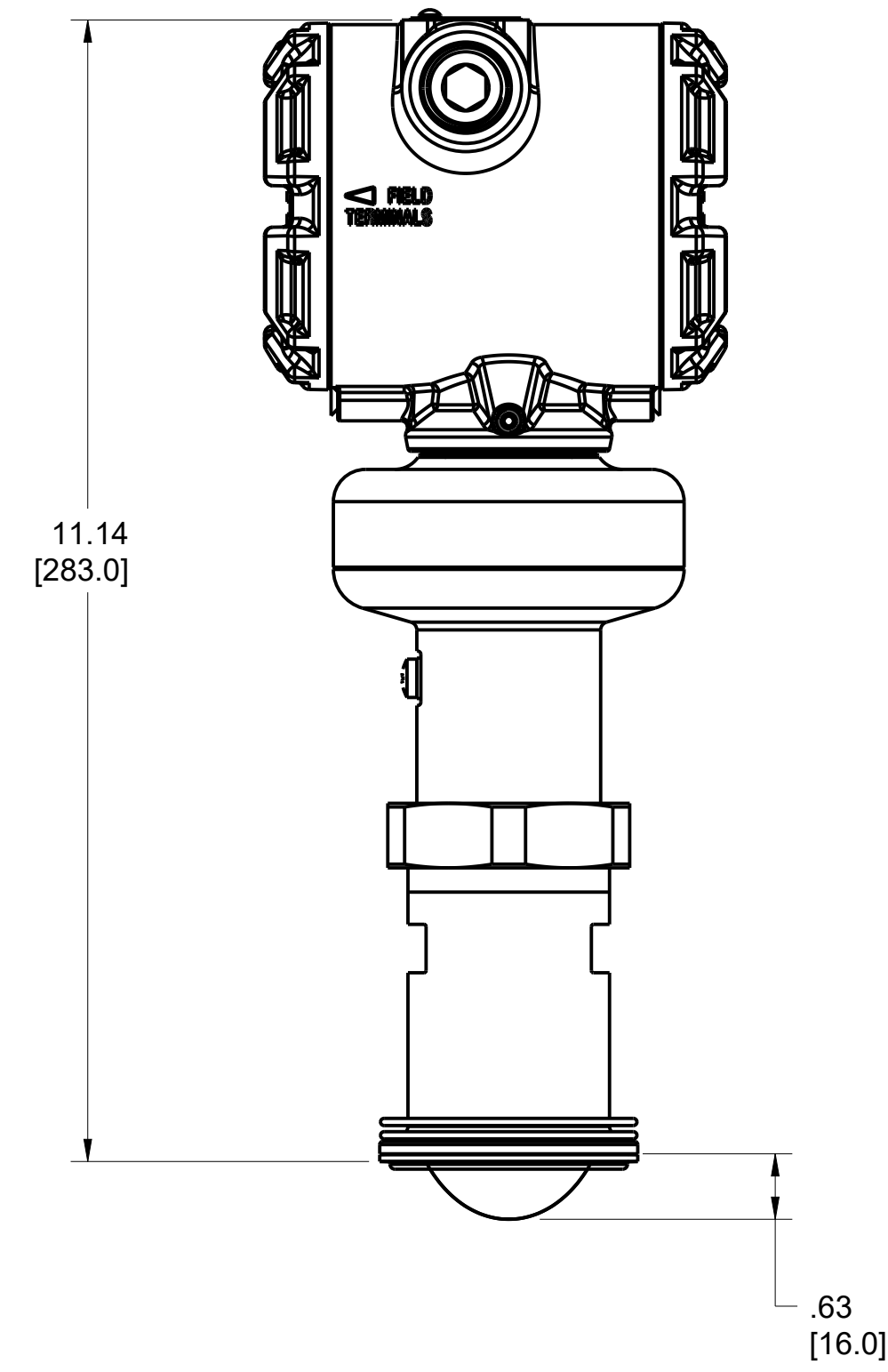
TRI CLAMP
4"



TRI CLAMP
3"



TRI CLAMP
2"



<small>©2015 ROSEMOUNT INC. ROSEMOUNT INC. CERTIFIES THIS DRAWING TO BE IN ACCORDANCE WITH ROSEMOUNT ENGINEERING SPECIFICATIONS. UNIT NOTES IN INCHES (mm). REFERENCE ROSEMOUNT PRODUCT SPECIFICATIONS. CLICK HERE</small>		<small>3RD ANGLE</small> 	<small>SIZE</small> D	<small>SCALE</small> NTS	
	TITLE ROSEMOUNT 5408 TYPE I DRAWING				
	<small>DR.</small> J.ARMSTRONG	<small>DATE</small> 3/28/17	<small>DRAWING NO.</small>	05408-7000	
	<small>APP'D</small> M.RASTAS	<small>DATE</small> 3/28/17	<small>CAD MAINTAINED, (PROE)</small>		

ROSEMOUNT 5408 RADAR LEVEL TRANSMITTER

PLATE DESIGN CONNECTION

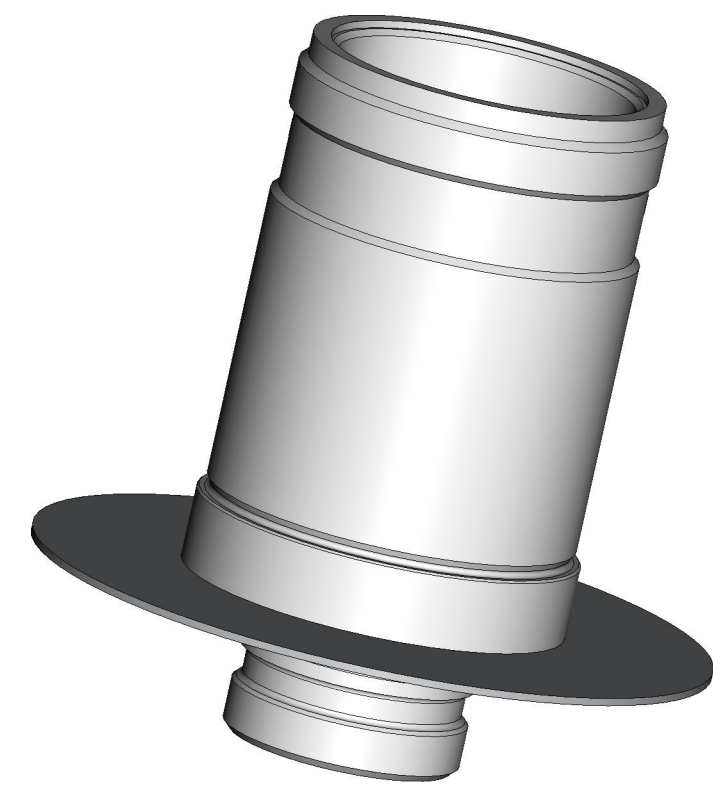
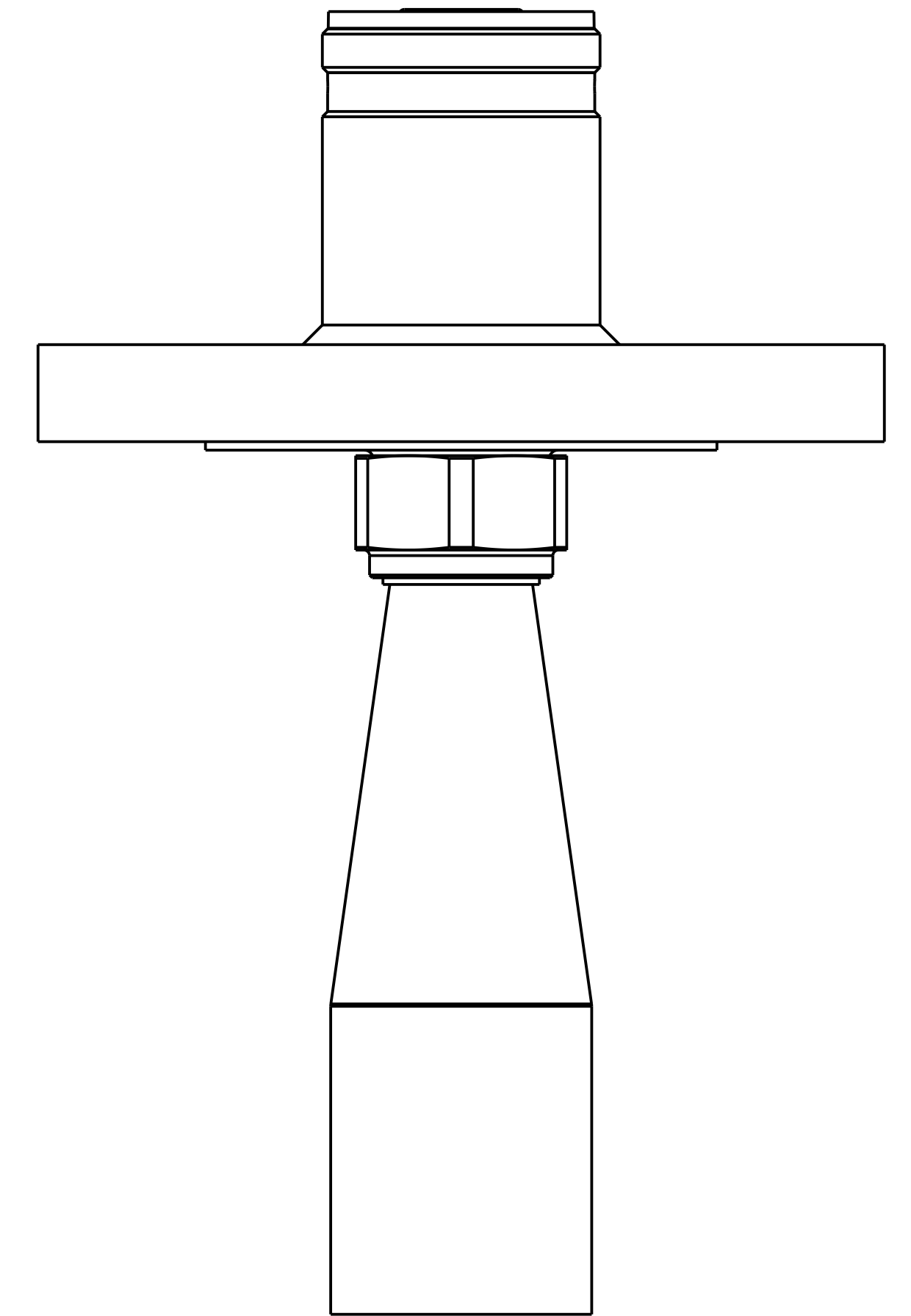
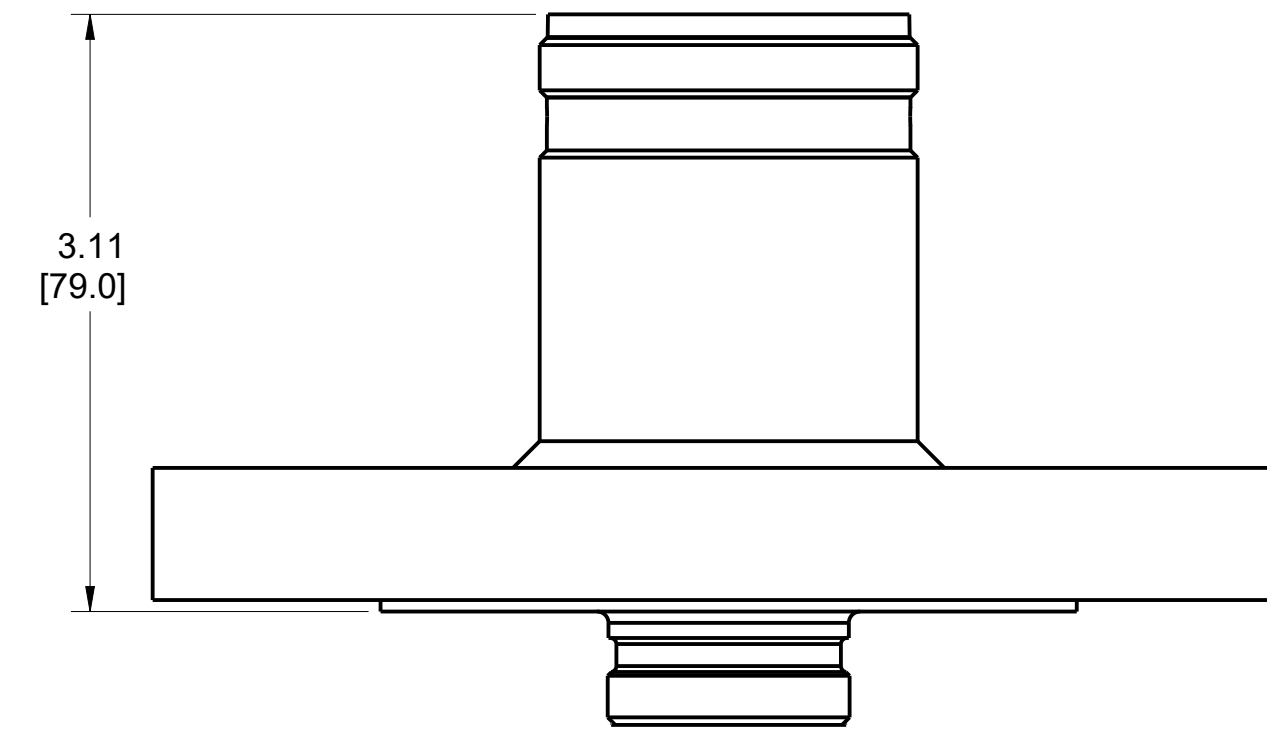
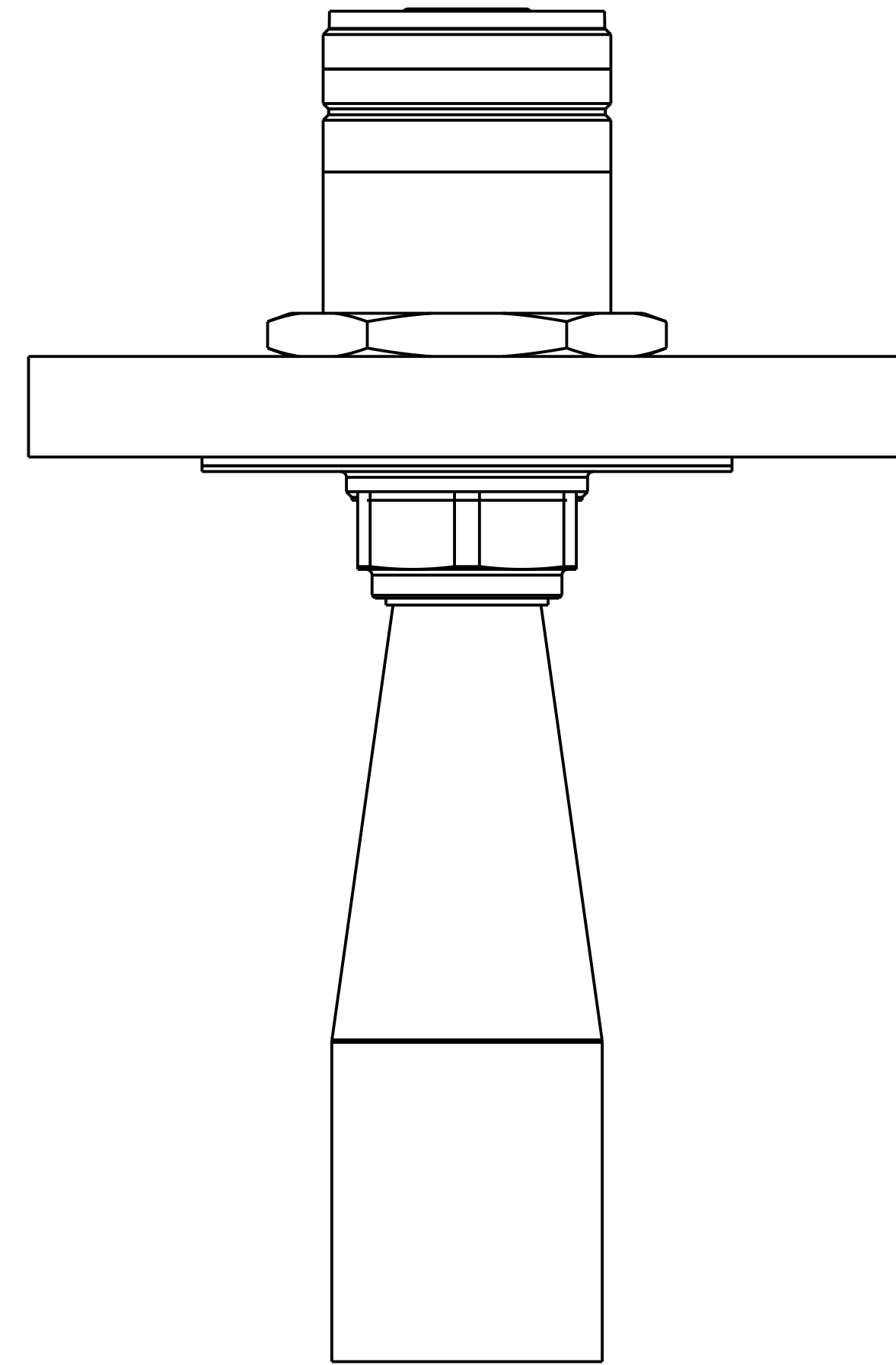
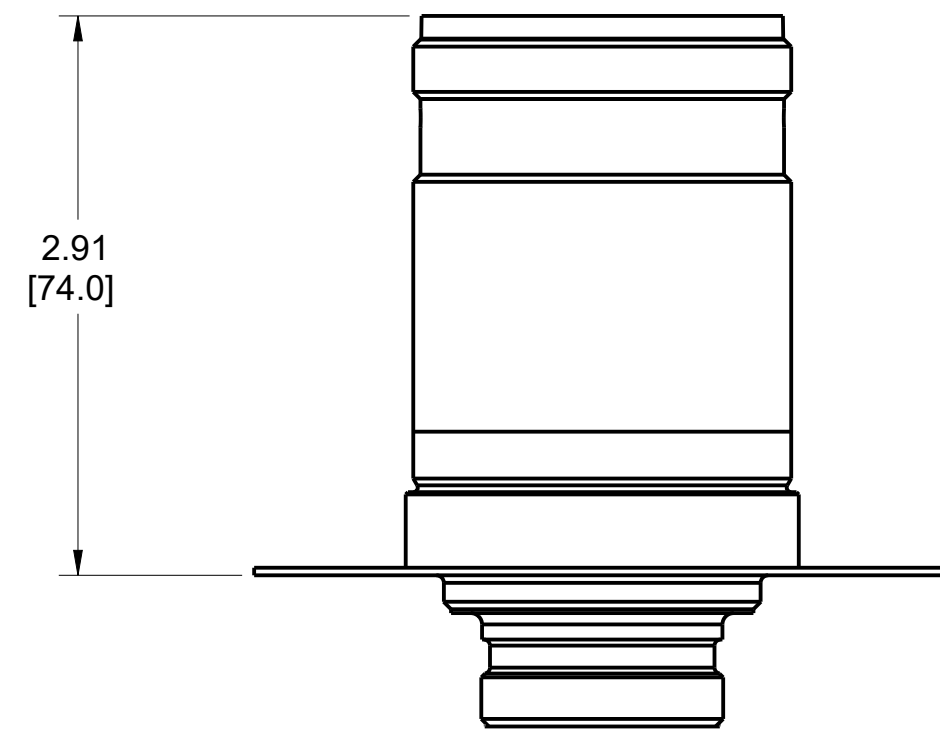
WELDED CONSTRUCTION

SHOWN WITHOUT BACKING FLANGE AND ANTENNA

SHOWN WITH BACKING FLANGE AND ANTENNA

SHOWN WITHOUT ANTENNA

SHOWN WITH ANTENNA



©2015 ROSEMOUNT INC.
ROSEMOUNT INC. CERTIFIES
THIS DRAWING IS MADE
IN ACCORDANCE WITH
ROSEMOUNT ENGINEERING
SPECIFICATIONS.
UNIT NOTES IN INCHES (mm).

REFERENCE ROSEMOUNT
PRODUCT SPECIFICATIONS.
CLICK HERE

EMERSON

TITLE
**ROSEMOUNT 5408
TYPE I DRAWING**

DR. J.ARMSTRONG	3/28/17	DRAWING NO.	
APP'D M.RASTAS	3/28/17		05408-7000
CAD MAINTAINED, (PRO/E)			SHEET 5 OF 5

3RD ANGLE

SIZE D

SCALE NTS