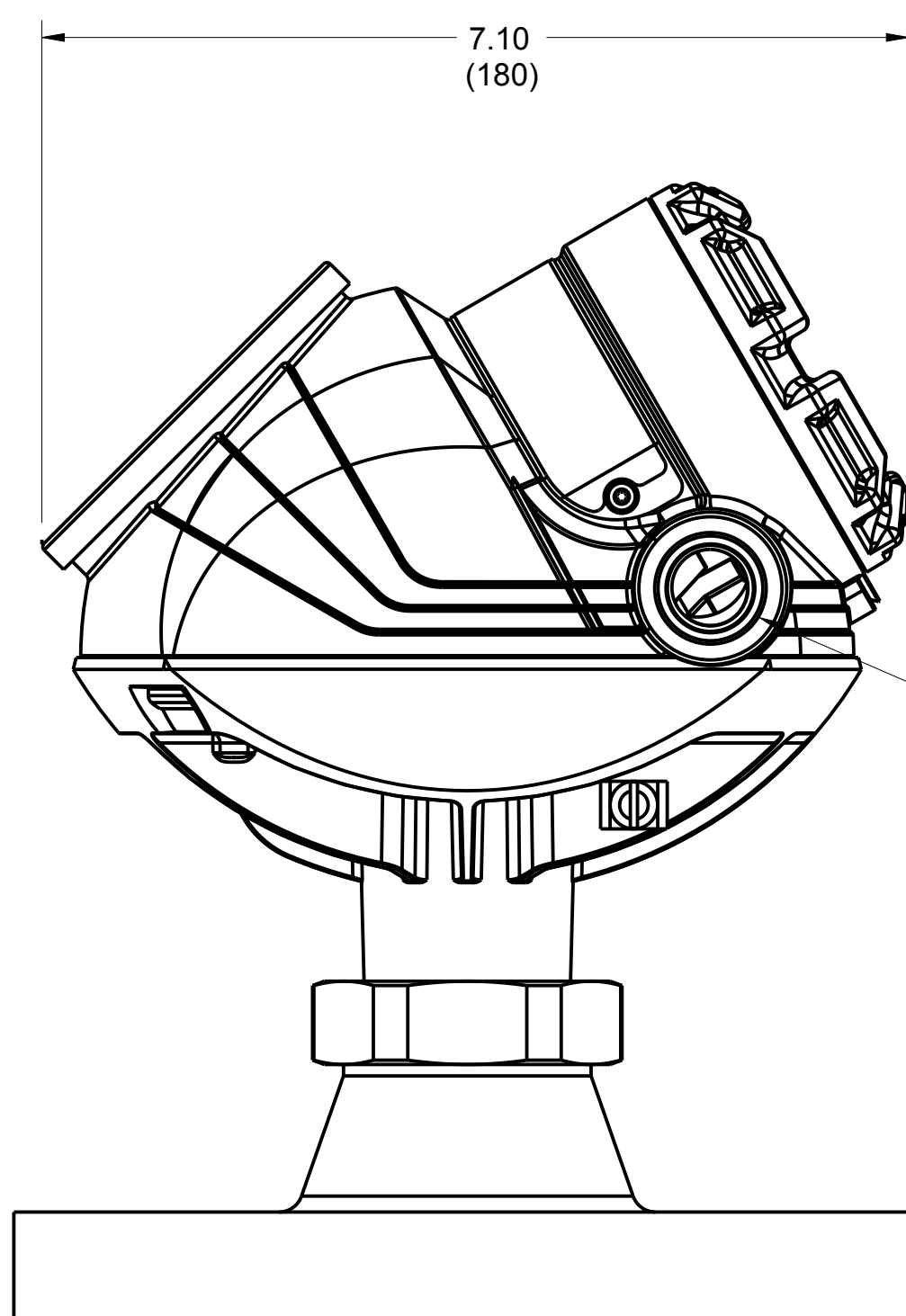
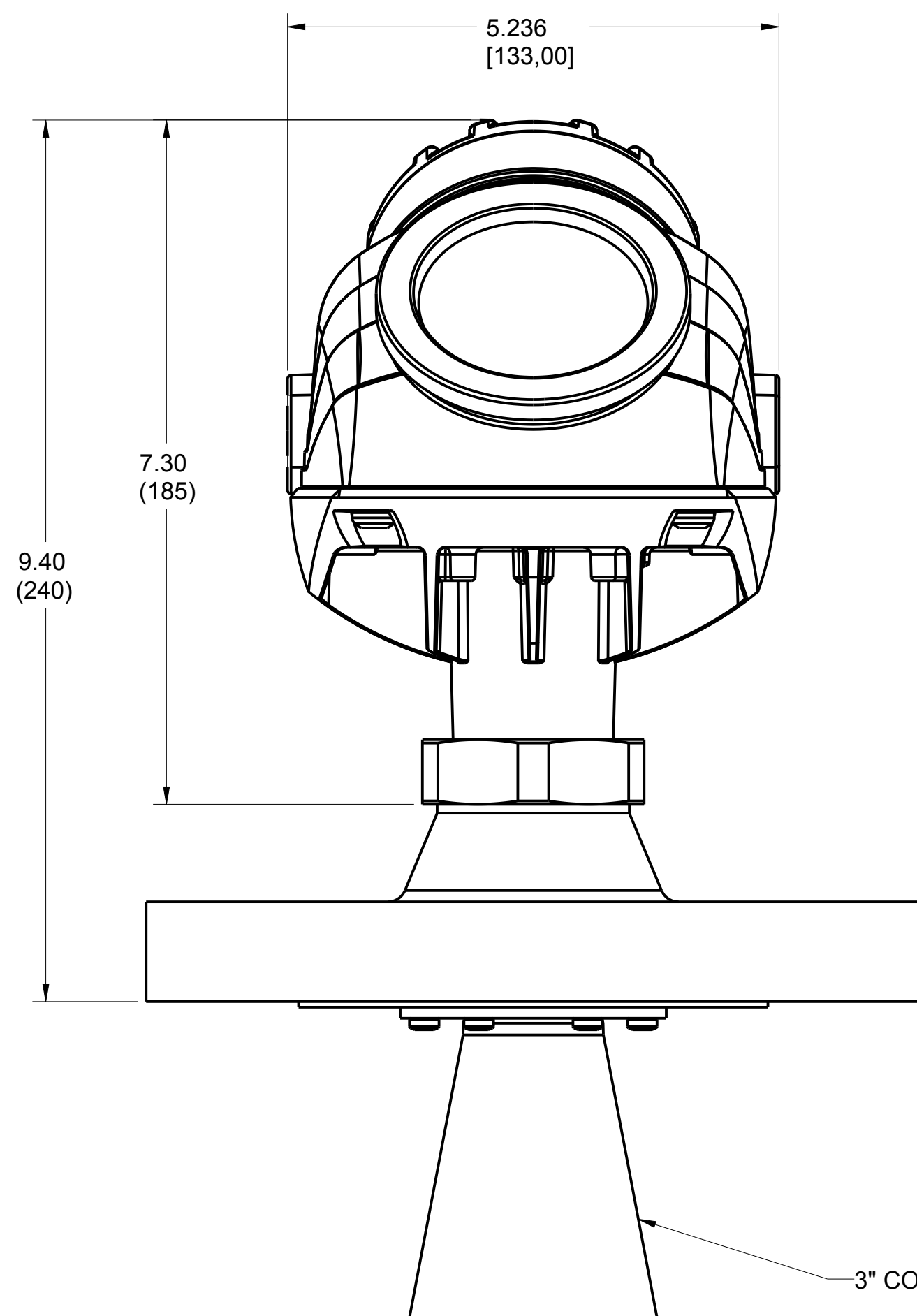


# ROSEMOUNT 5401 LOW FREQUENCY RADAR LEVEL TRANSMITTER

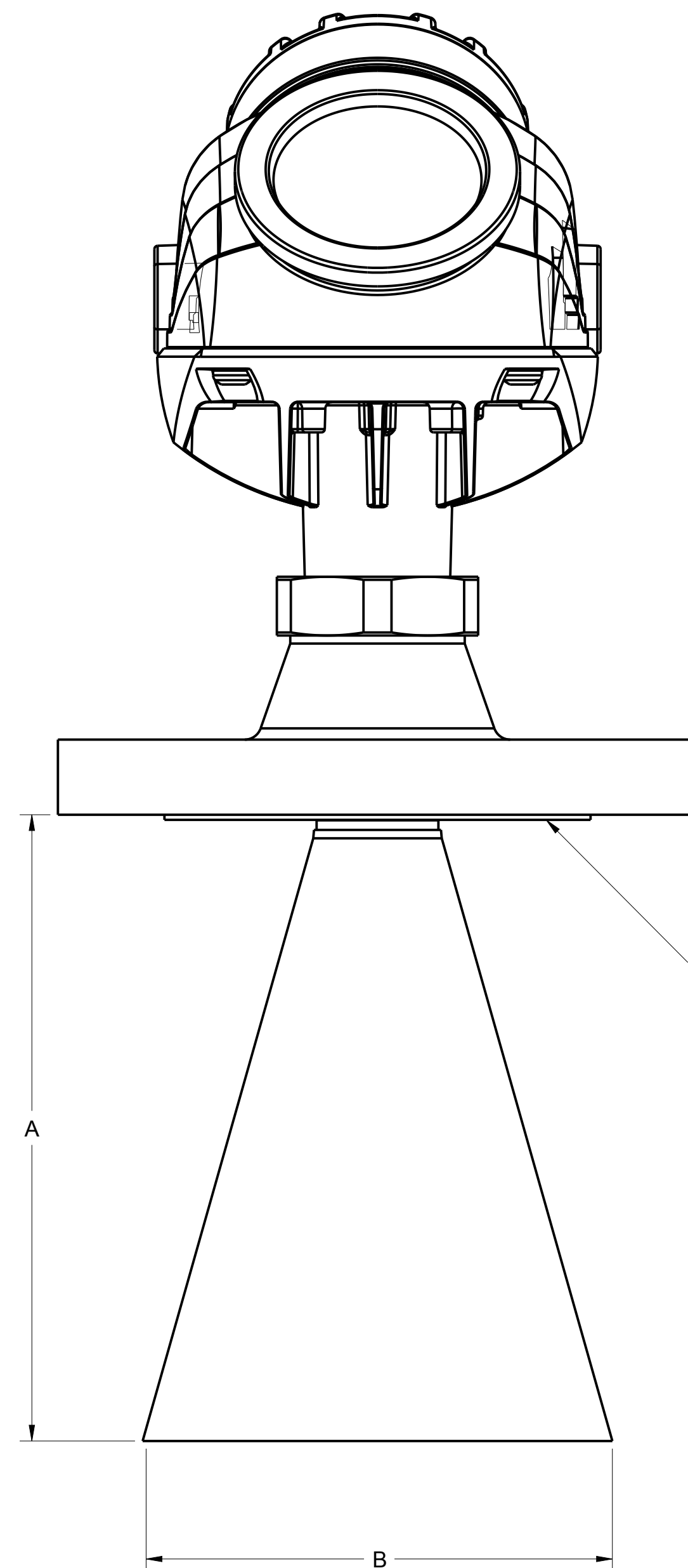
REVISION TABLE			
REVISION	ECO NO.	APP'D	DATE
AA	RTC1064297	T. Soderman	1/5/16
DESCRIPTION			
NEW RELEASE			

SST CONE ANTENNA W/ HOUSING  
(OPTIONS 3S-8S)

WITH PROTECTIVE PLATE ANTENNA  
(OPTIONS 3H-8H,3M-8M,3N-8N)



1/2-14NPT  
OR M20 X 1.5 (2)  
  
(AVAILABLE WITH EUROFAST  
OR MINIFAST CONNECTORS)



EXTENDED SST CONE  
MAX 20.4 (518)

EXTENDED LENGTH

OPTIONAL EXTENSION

CONE EXT. MAX	A	OPTION CODE
20 (500)	20.4 (518)	S3

5401 STANDARD SST CONE

CONE SIZE	A	B	ANTENNA CODE
3	3.3 (84)	2.6 (67)	3S
4	5.9 (150)	3.6 (92)	4S
6	7.3 (185)	5.5 (140)	6S
8	10.6 (270)	7.4 (188)	8S

©2016 ROSEMOUNT INC.  
ROSEMOUNT INC. THESE  
DRAWINGS ARE IN ACCORDANCE WITH  
ROSEMOUNT ENGINEERING  
STANDARDS. UNLESS OTHERWISE  
SPECIFIED, ALL DIMENSIONS SHALL  
REPRESENT THE EQUIPMENT  
FURNISHED AGAINST THE NOTED P.O.  
UNIT NOTES IN INCHES (mm).  
REFER TO ROSEMOUNT PRODUCT  
DATA SHEETS FOR PRODUCT  
SPECIFICATIONS.  
CLICK HERE

3RD ANGLE SIZE D SCALE NTS

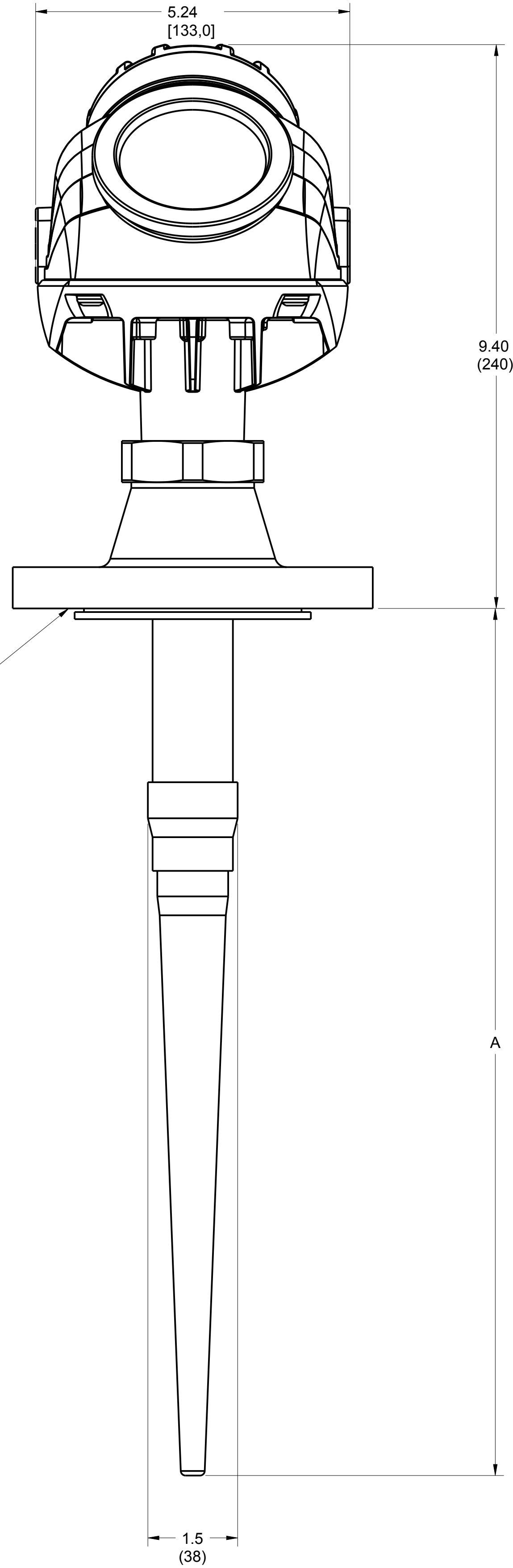
**EMERSON**  
Process Management

TITLE  
**ROSEMOUNT 5401  
TYPE I DRAWING**

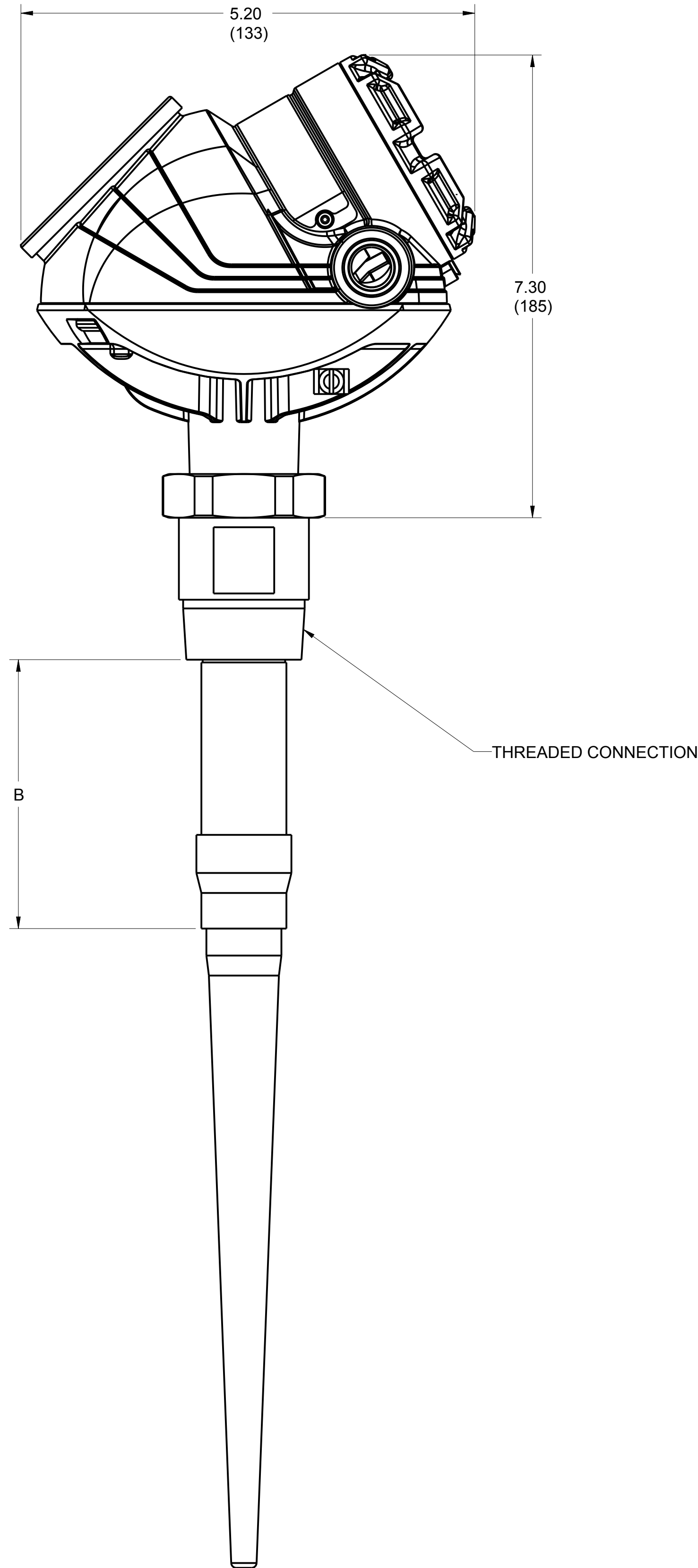
DR. J. Armstrong 1/4/16 DRAWING NO. 05401-7000  
APP'D T. Soderman 1/5/16  
CAD MAINTAINED, (PROE) SHEET 1 OF 3

# ROSEMOUNT 5401 LOW FREQUENCY RADAR LEVEL TRANSMITTER

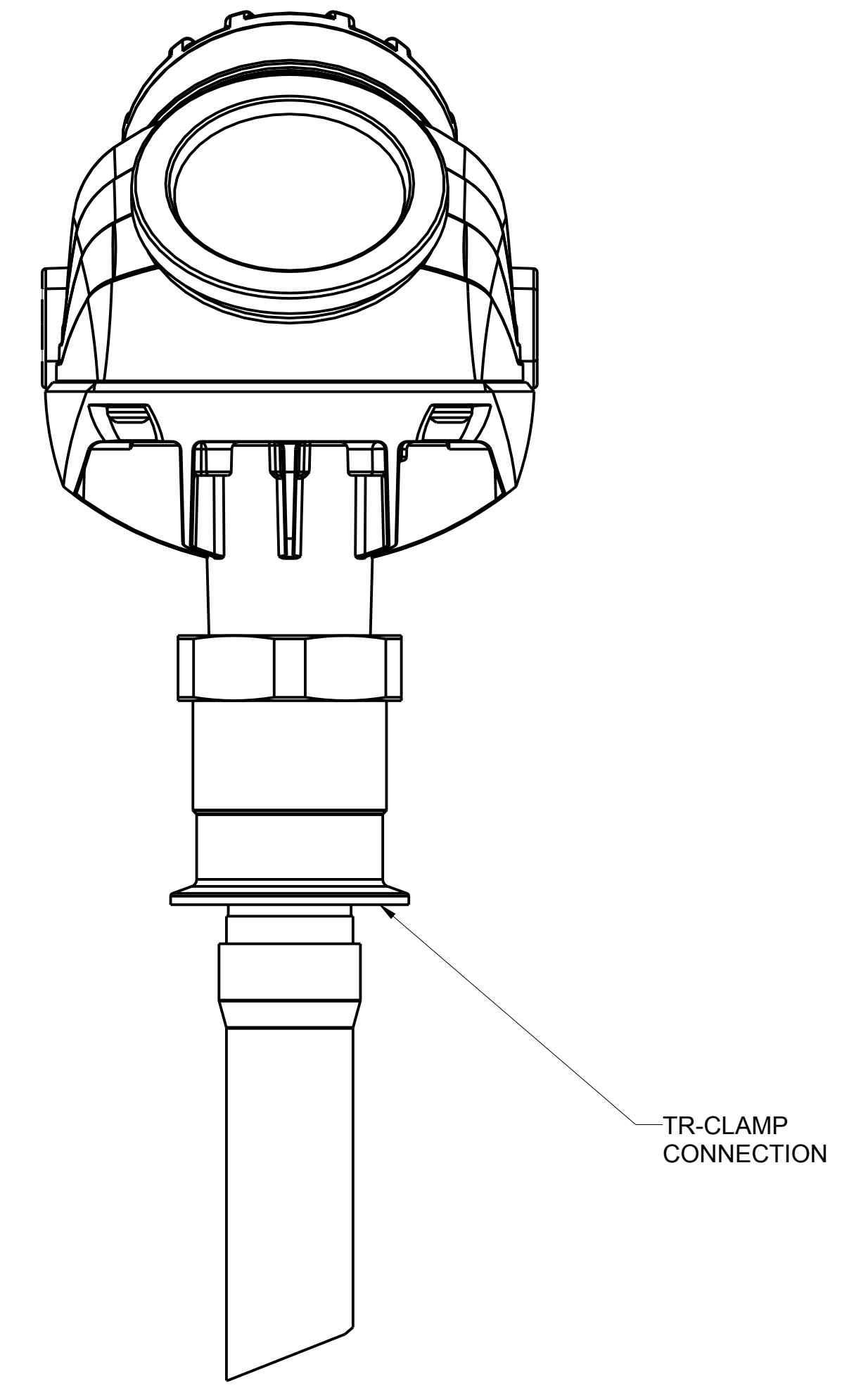
ROD ANTENNA  
 With protective plate = 1R/2R OPTIONS  
 Without protective plate = 3R/4R OPTIONS



ROD ANTENNA WITH  
 THREADED CONNECTION  
 (OPTIONS RA) WITH (3R,4R)



ROD ANTENNA TRI-CLAMP  
 CONNECTION  
 (OPTIONS AT,BT,CT) WITH (3R,4R)



SCALE 7/10

ROD SIZE	A	B	ANTENNA CODE
SHORT	14.4 (365)	4 (100)	1R,3R
LONG	20.3 (515)	10 (250)	2R,4R

©2016 ROSEMOUNT INC.  
 THESE DRAWINGS ARE IN ACCORDANCE WITH ROSEMOUNT ENGINEERING SPECIFICATIONS. ALL DIMENSIONS UNLESS OTHERWISE SPECIFIED REPRESENT THE EQUIPMENT AS FURNISHED AGAINST THE NOTED P.O. UNIT NOTES IN INCHES (mm).  
 REFER TO ROSEMOUNT PRODUCT DATA SHEETS FOR PRODUCT SPECIFICATIONS.  
 CLICK HERE

3RD ANGLE

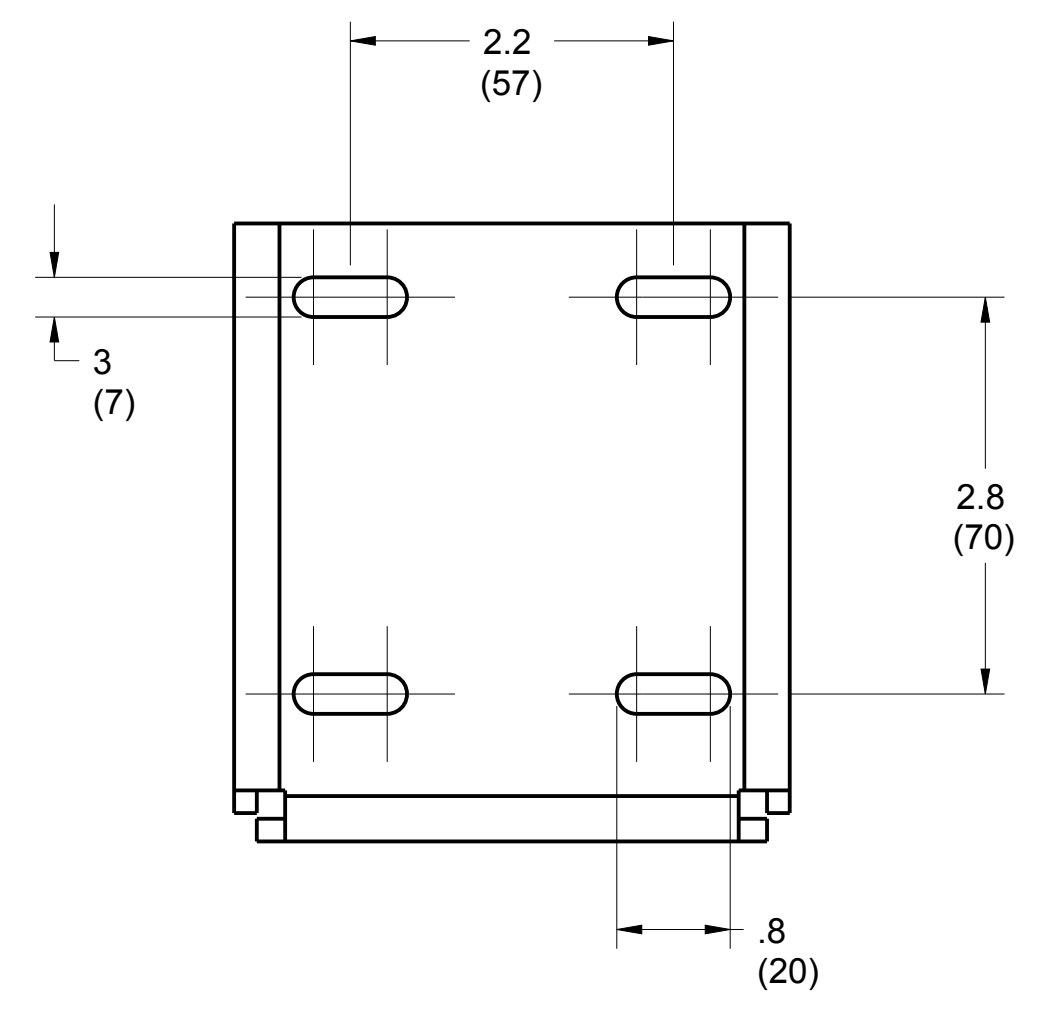
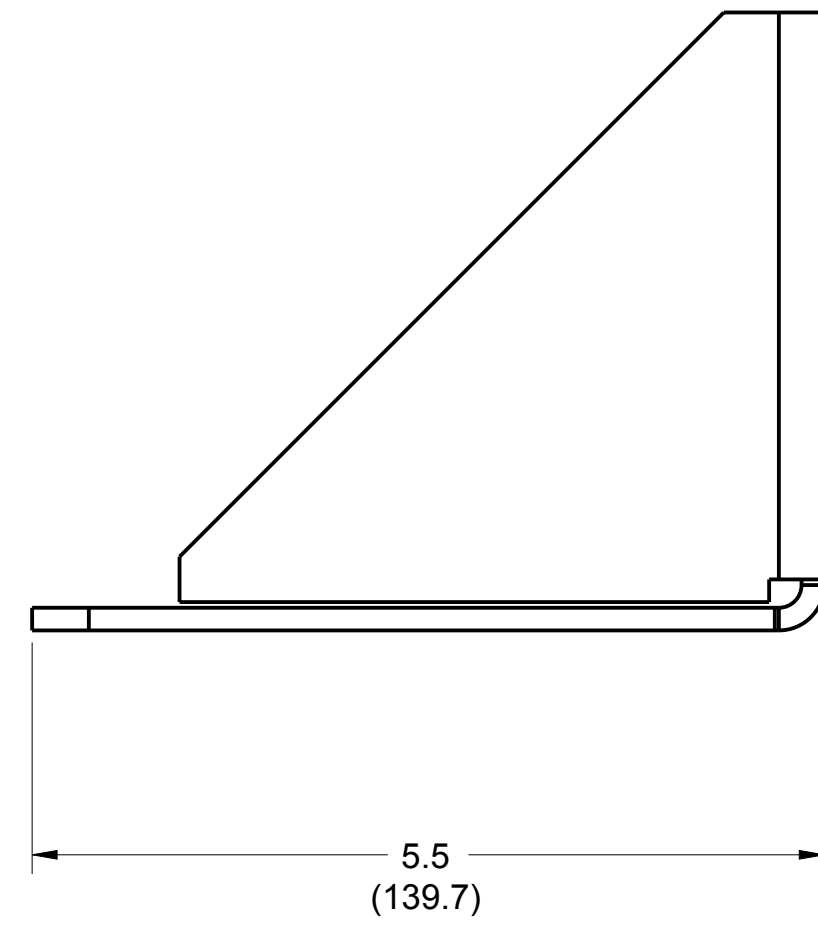
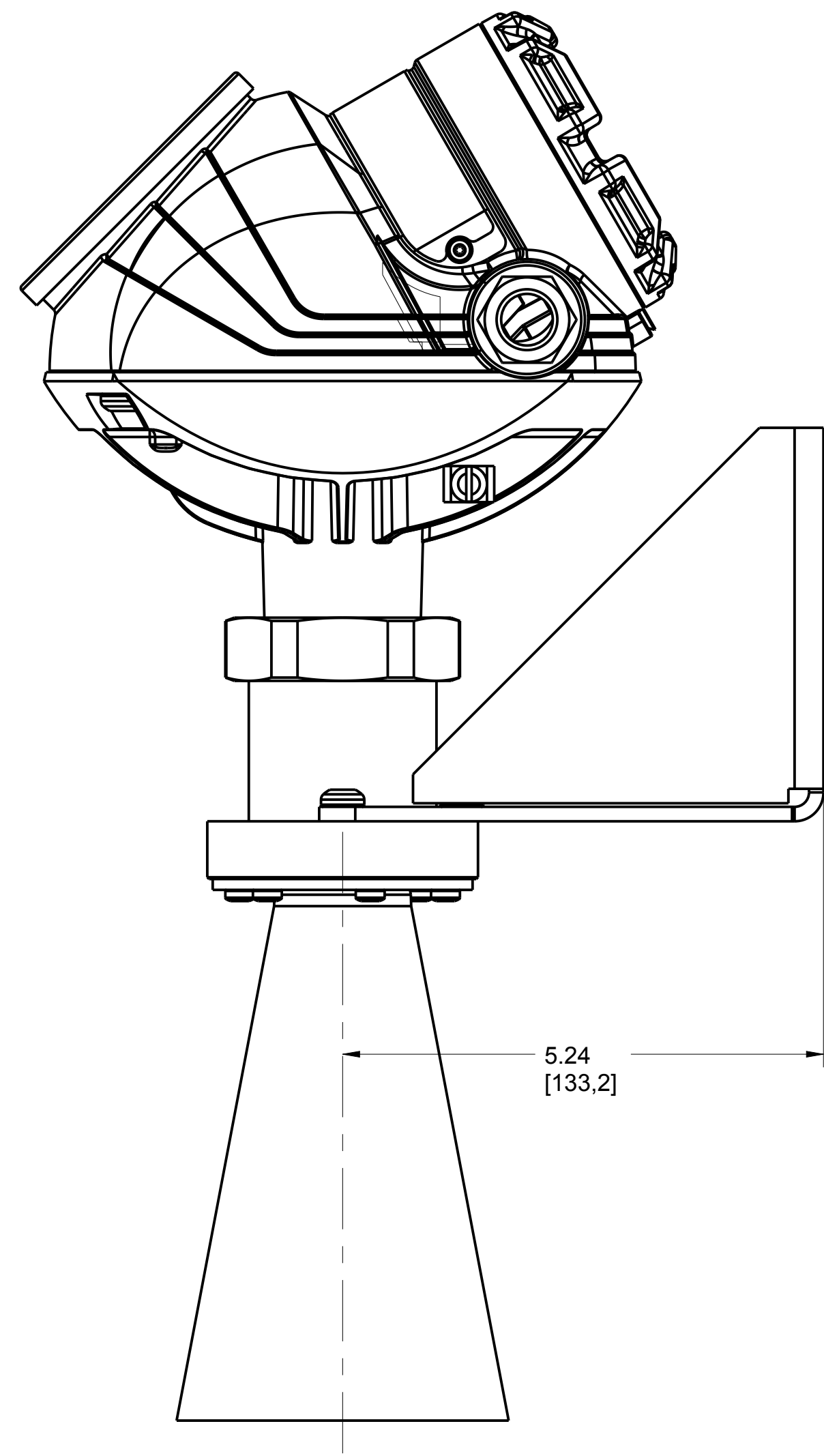
EMERSON  
 Process Management

TITLE  
**ROSEMOUNT 5401  
 TYPE I DRAWING**

DR. J. Armstrong 1/4/16 DRAWING NO. 05401-7000  
 APP'D T. Soderman 1/5/16  
 CAD MAINTAINED, (PRO/E) SHEET 2 OF 3

ROSEMOUNT 5401 LOW FREQUENCY RADAR LEVEL TRANSMITTER  
MOUNTING CONFIGURATION (CODE BR)

BRACKET MOUNTING  
(OPTIONS BR)



©2016 ROSEMOUNT INC.  
ROSEMOUNT INC. IS THE  
REGISTERED TRADE NAME OF  
ROSEMOUNT ENGINEERING  
CORPORATION. ALL RIGHTS  
RESERVED. THIS DRAWING  
REPRESENTS THE EQUIPMENT  
FURNISHED AGAINST THE NOTED P.O.  
UNIT NOTES IN INCHES (mm).

REFER TO ROSEMOUNT PRODUCT  
DATA SHEETS FOR PRODUCT  
SPECIFICATIONS.  
CLICK HERE

EMERSON  
Process Management

3RD ANGLE SIZE D SCALE NTS

TITLE  
**ROSEMOUNT 5401  
TYPE I DRAWING**

DR. J. Armstrong	14/16	DRAWING NO.	05401-7000
APPD T. Soderman	15/16		

CAD MAINTAINED, (PRO/E) SHEET 3 OF 3