
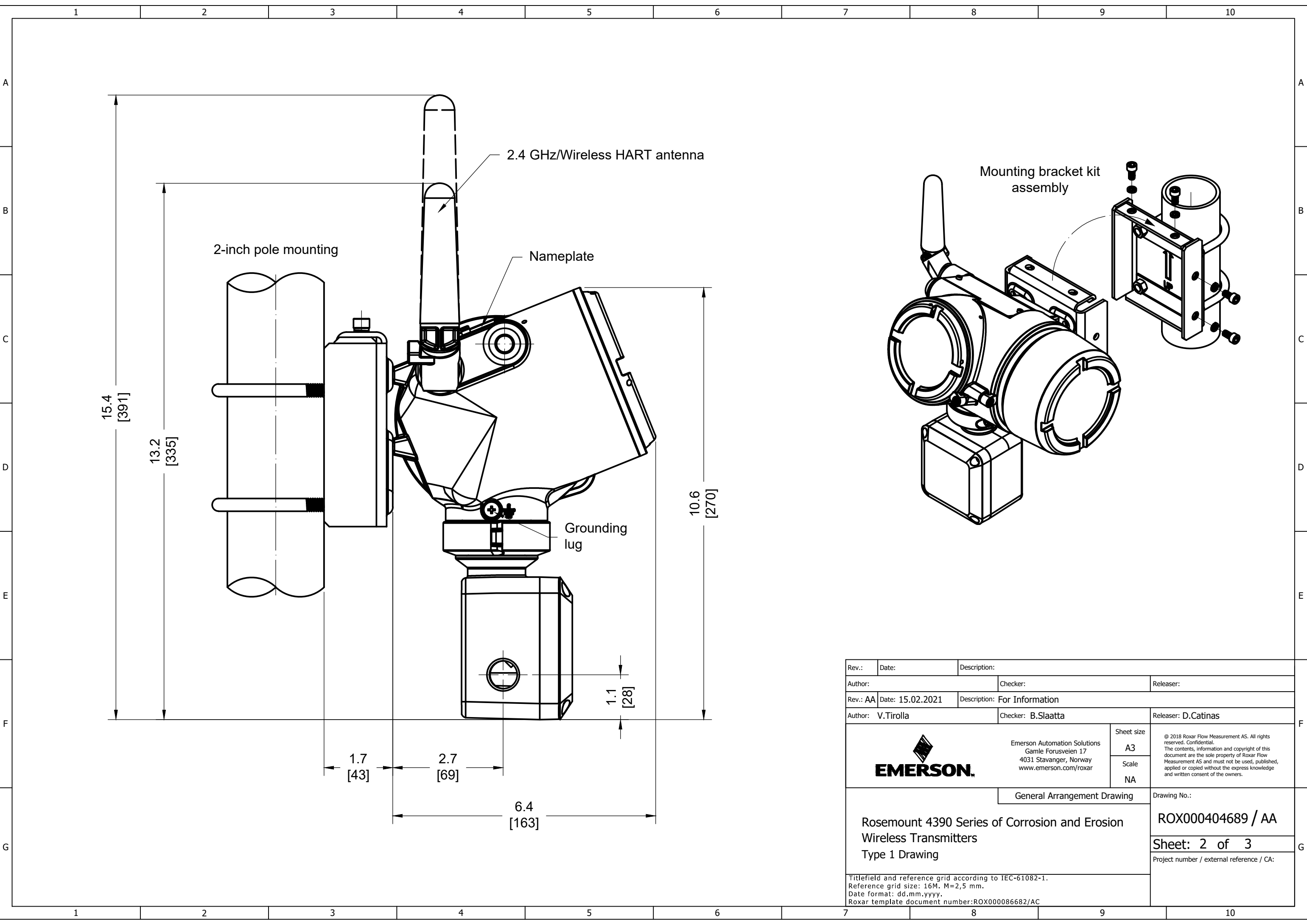

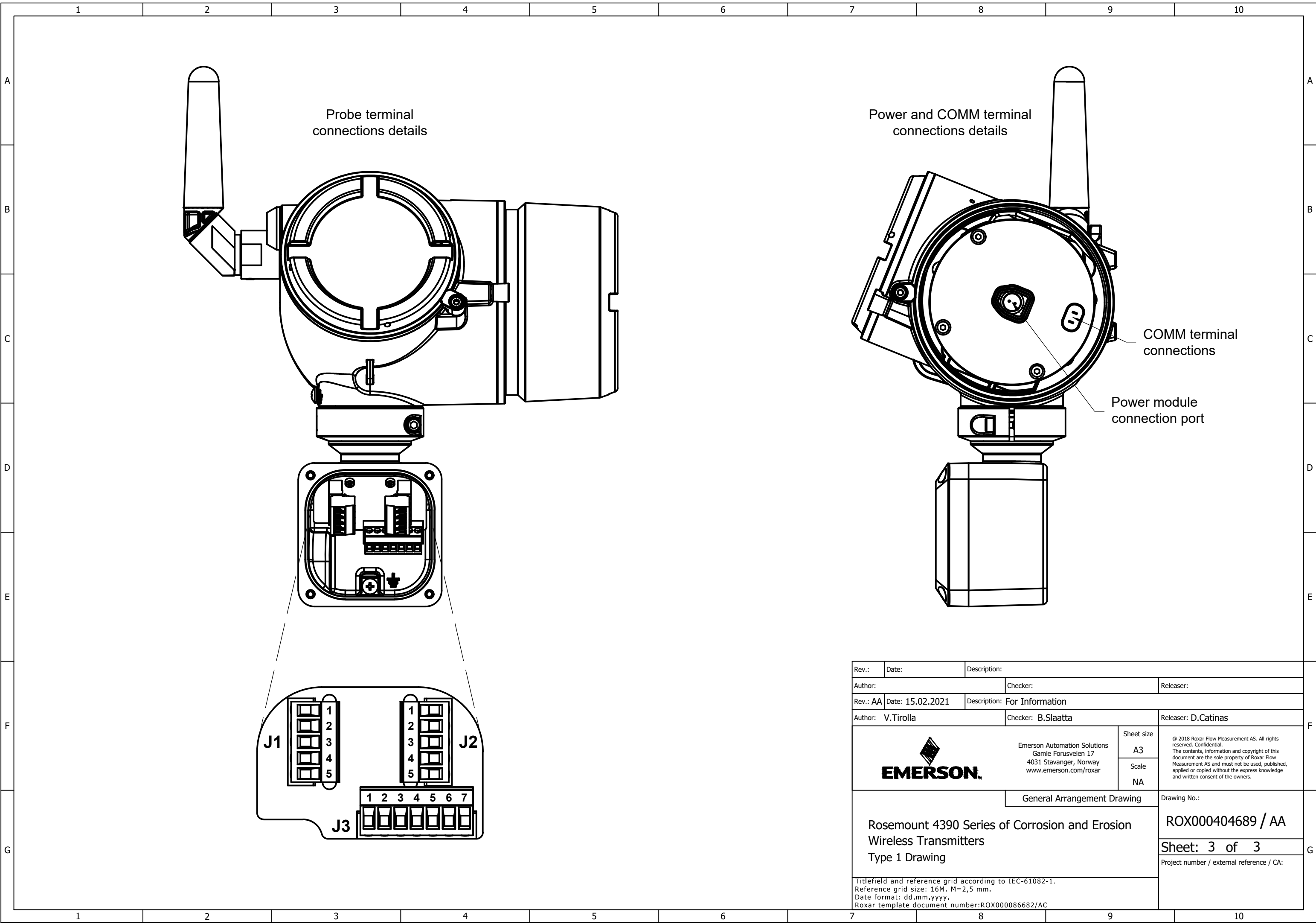



Dimensions in inches [millimeters]

Rev.:	Date:	Description:		
Author:	Checker:	Releaser:		
Rev.: AA	Date: 15.02.2021	Description: For Information		
Author: V.Tirolla	Checker: B.Slaatta	Releaser: D.Catinas		
	Emerson Automation Solutions Gamle Forusveien 17 4031 Stavanger, Norway www.emerson.com/roxar	Sheet size A3	© 2018 Roxar Flow Measurement AS. All rights reserved. Confidential. The contents, information and copyright of this document are the sole property of Roxar Flow Measurement AS and must not be used, published, applied or copied without the express knowledge and written consent of the owners.	
		Scale NA		
Rosemount 4390 Series of Corrosion and Erosion Wireless Transmitters Type 1 Drawing		General Arrangement Drawing Drawing No.: ROX000404689 / AA Sheet: 1 of 3 Project number / external reference / CA:		
<small> Titlefield and reference grid according to IEC-61082-1. Reference grid size: 16M. M=2,5 mm. Date format: dd.mm.yyyy. Roxar template document number:ROX000086682/AC </small>				



Rev.:	Date:	Description:		
Author:	Checker:	Releaser:		
Rev.: AA	Date: 15.02.2021	Description: For Information		
Author: V.Tirolla	Checker: B.Slaatta	Releaser: D.Catinas		
 Emerson Automation Solutions Gamle Forusveien 17 4031 Stavanger, Norway www.emerson.com/roxar	Sheet size	© 2018 Roxar Flow Measurement AS. All rights reserved. Confidential. The contents, information and copyright of this document are the sole property of Roxar Flow Measurement AS and must not be used, published, applied or copied without the express knowledge and written consent of the owners.		
	Scale			
	NA			
General Arrangement Drawing		Drawing No.:		
Rosemount 4390 Series of Corrosion and Erosion Wireless Transmitters Type 1 Drawing		ROX000404689 / AA		
		Sheet: 2 of 3		
		Project number / external reference / CA:		
Titlefield and reference grid according to IEC-61082-1. Reference grid size: 16M. M=2,5 mm. Date format: dd.mm.yyyy. Roxar template document number: ROX000086682/AC				



Rev.:	Date:	Description:		
Author:	Checker:	Releaser:		
Rev.: AA	Date: 15.02.2021	Description: For Information		
Author: V.Tirolla	Checker: B.Slaatta	Releaser: D.Catinas		
 Emerson Automation Solutions Gamle Forusveien 17 4031 Stavanger, Norway www.emerson.com/roxar	Sheet size	© 2018 Roxar Flow Measurement AS. All rights reserved. Confidential. The contents, information and copyright of this document are the sole property of Roxar Flow Measurement AS and must not be used, published, applied or copied without the express knowledge and written consent of the owners.		
	Scale			
	A3			
	NA			
General Arrangement Drawing		Drawing No.:		
Rosemount 4390 Series of Corrosion and Erosion Wireless Transmitters		ROX000404689 / AA		
Type 1 Drawing		Sheet: 3 of 3		
		Project number / external reference / CA:		
Titlefield and reference grid according to IEC-61082-1. Reference grid size: 16M. M=2,5 mm. Date format: dd.mm.yyyy. Roxar template document number: ROX000086682/AC				