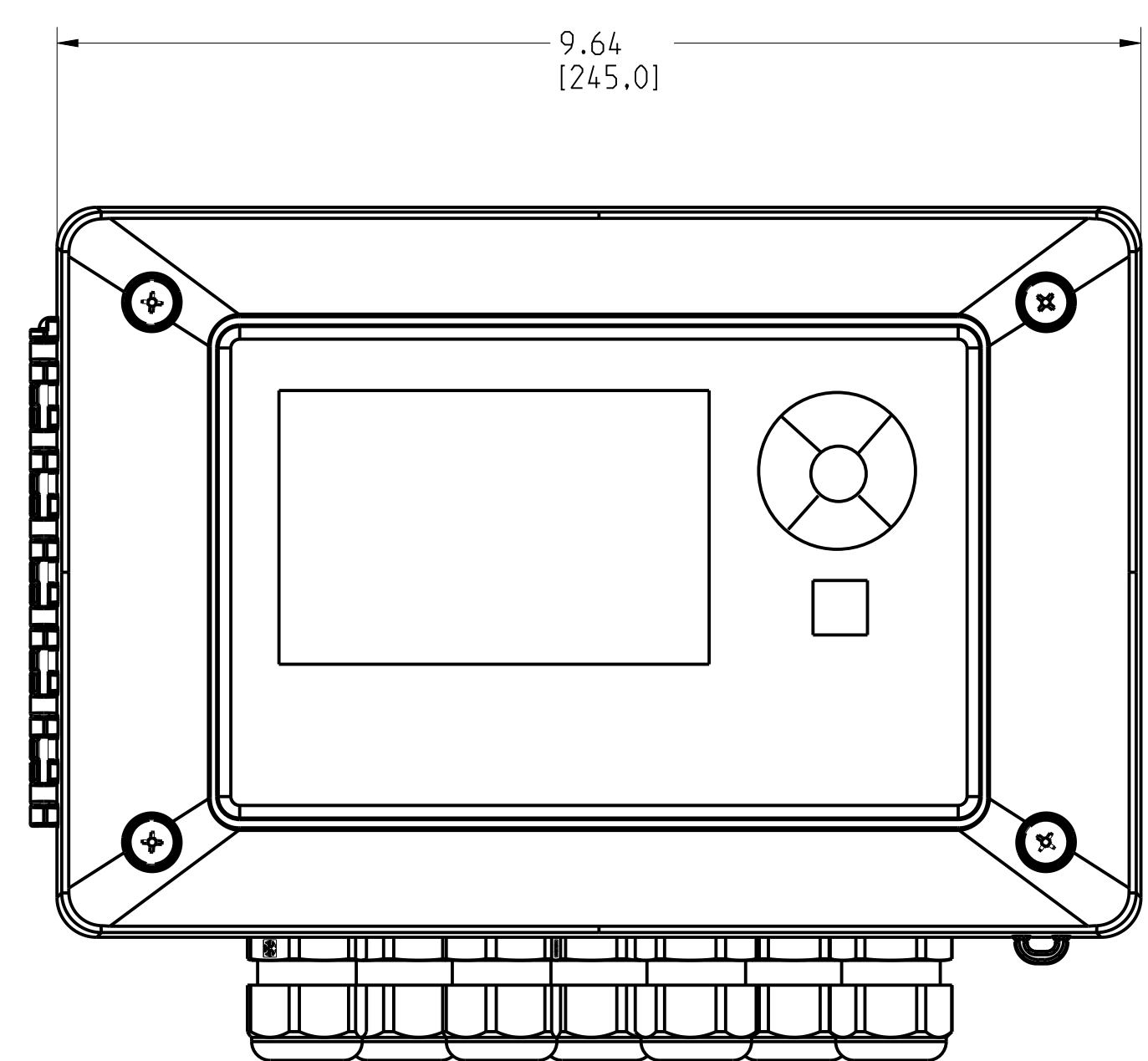
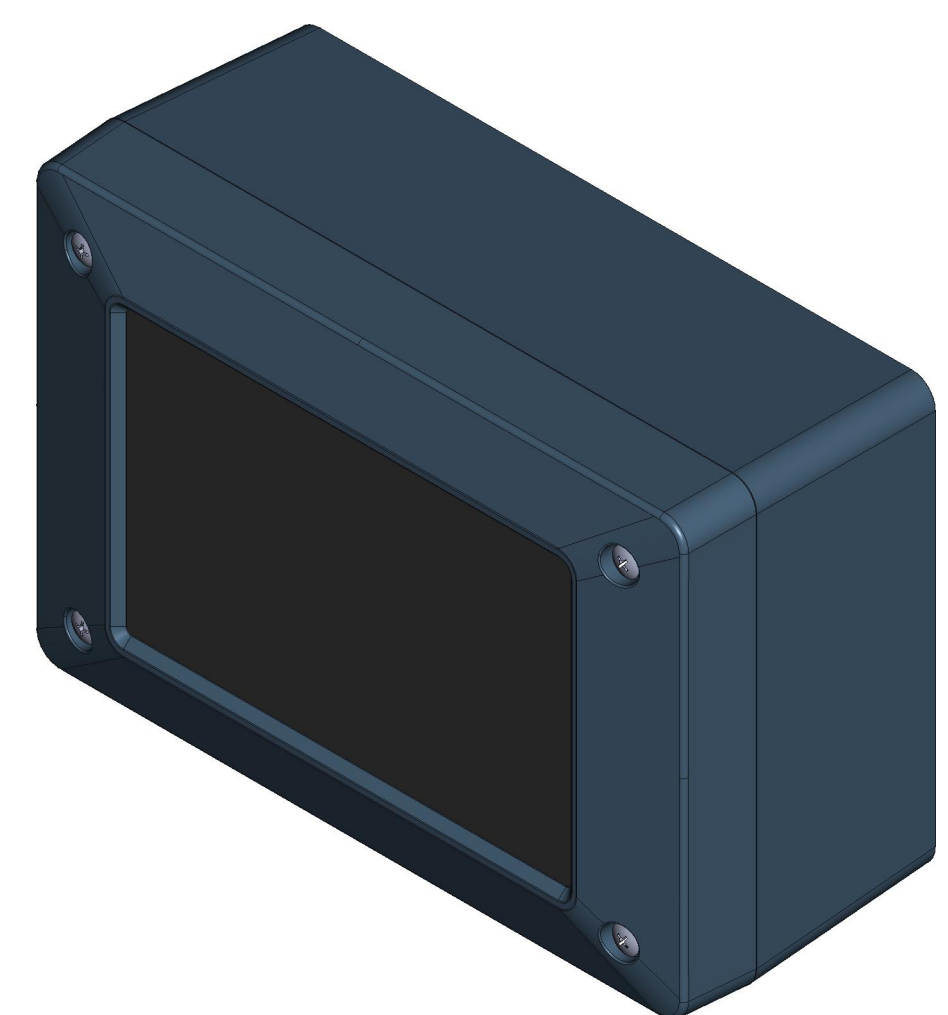
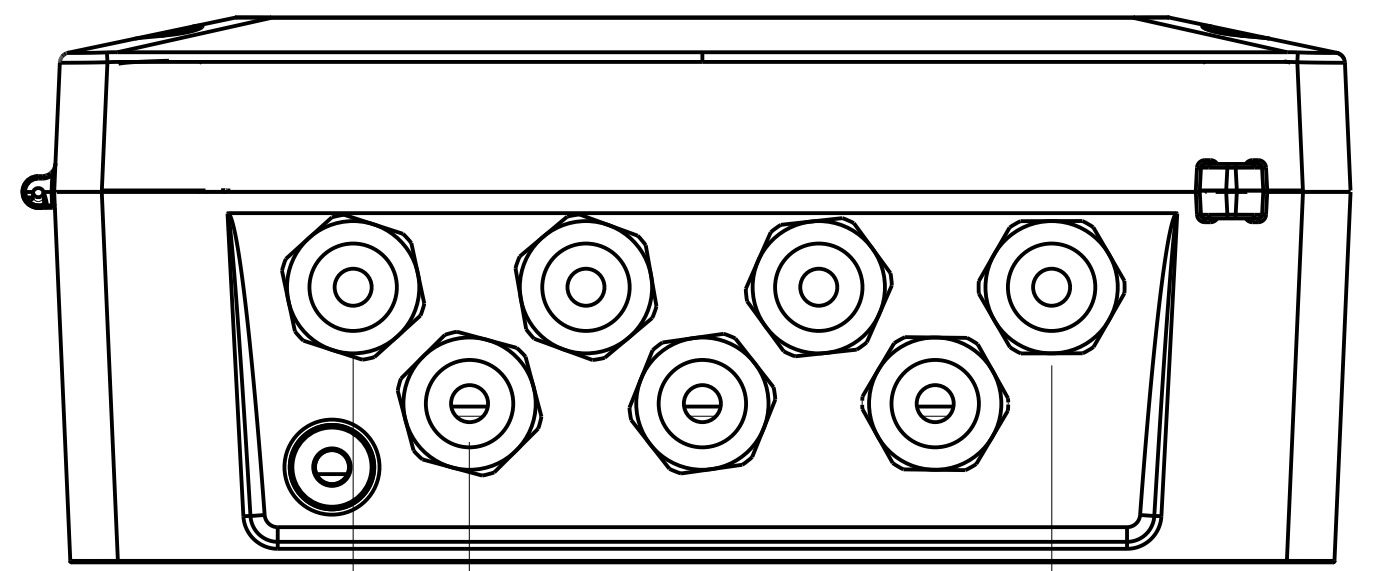
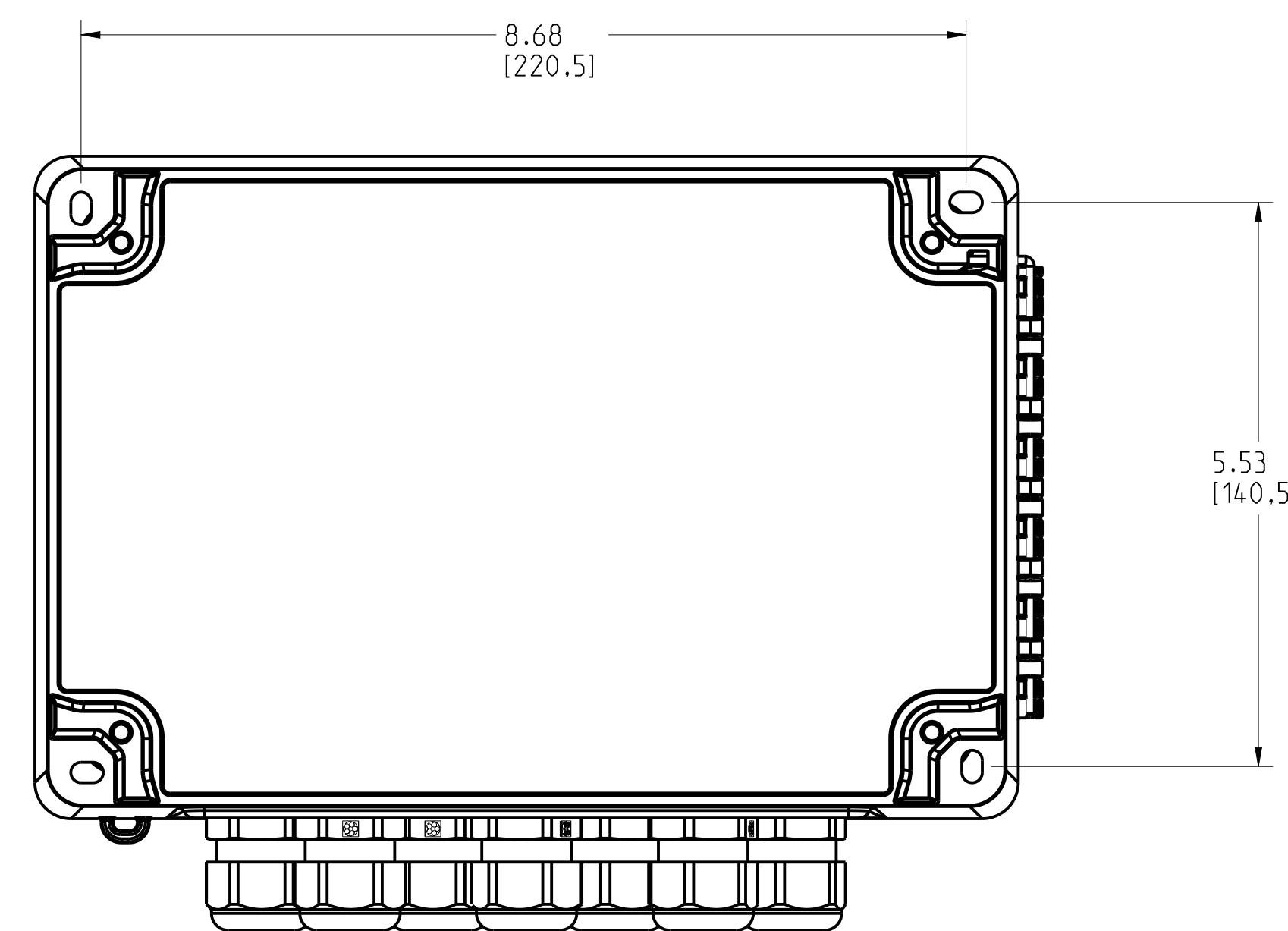
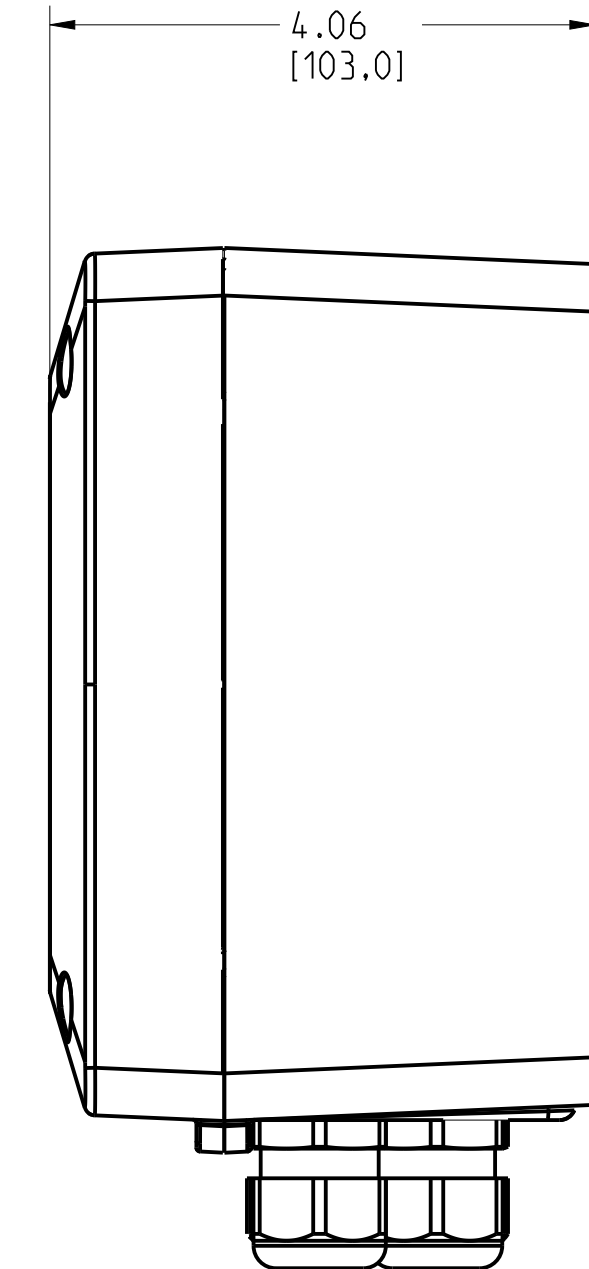


EMERSON 3490 DIGITAL CONTROLLER

REVISION TABLE			
REVISION	ECO NO.	APP'D	DATE
AA	RTC1079318	S.NILSSON	6/15/22
DESCRIPTION			
NEW RELEASE			



CABLE CONNECTION



©2015 ROSEMOUNT, INC.
ROSEMOUNT INC. EXPRESSLY
DISCLAIMS LIABILITY FOR
THIS DRAWING. THIS DRAWING IS
TO BE USED IN CONFORMANCE WITH
ROSEMOUNT ENGINEERING
SPECIFICATIONS.
UNIT NOTES IN INCHES (mm).

REFERENCE ROSEMOUNT
PRODUCT SHEETS FOR
PRODUCT SPECIFICATIONS.
CLICK HERE

3RD ANGLE

EMERSON

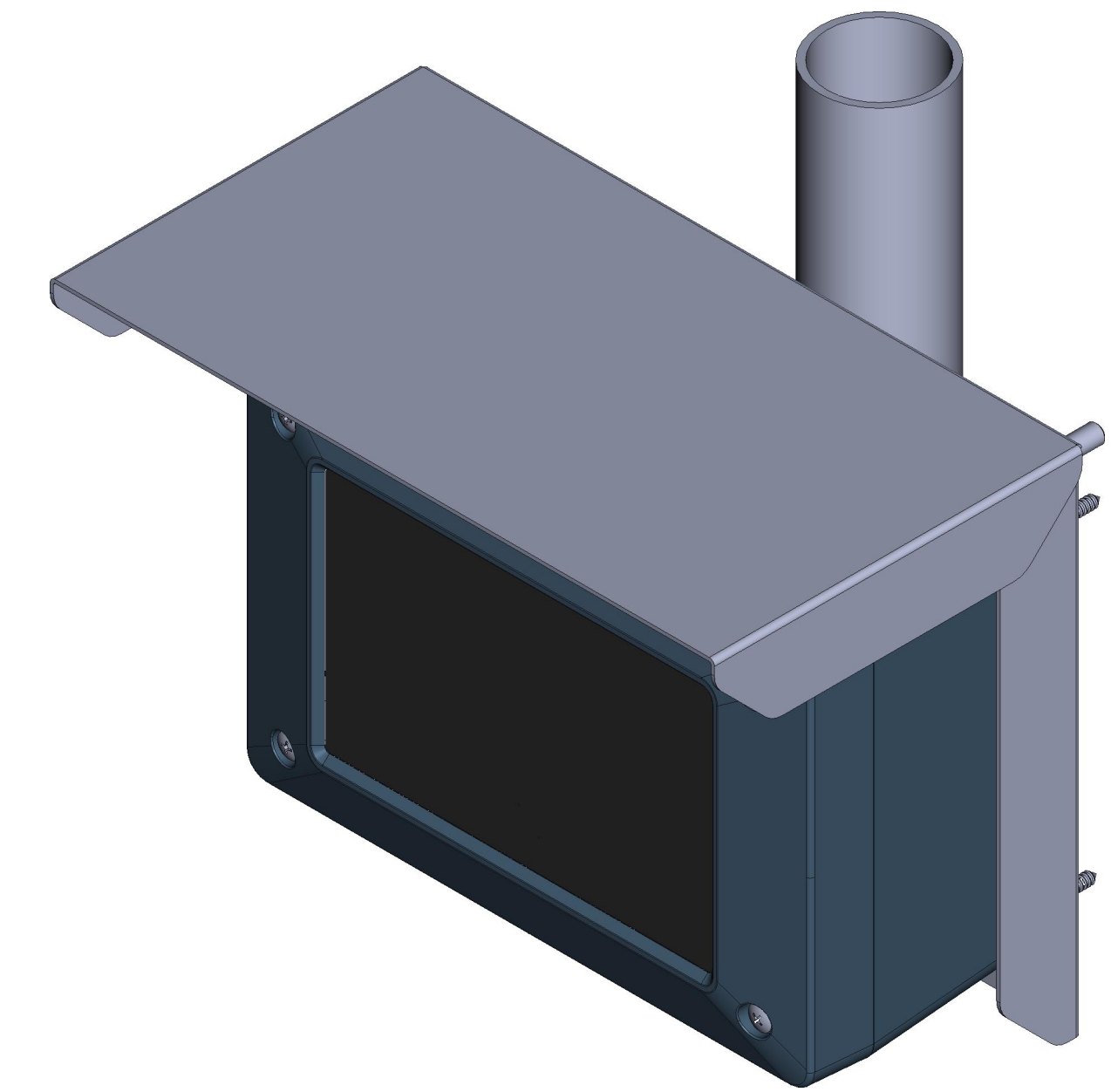
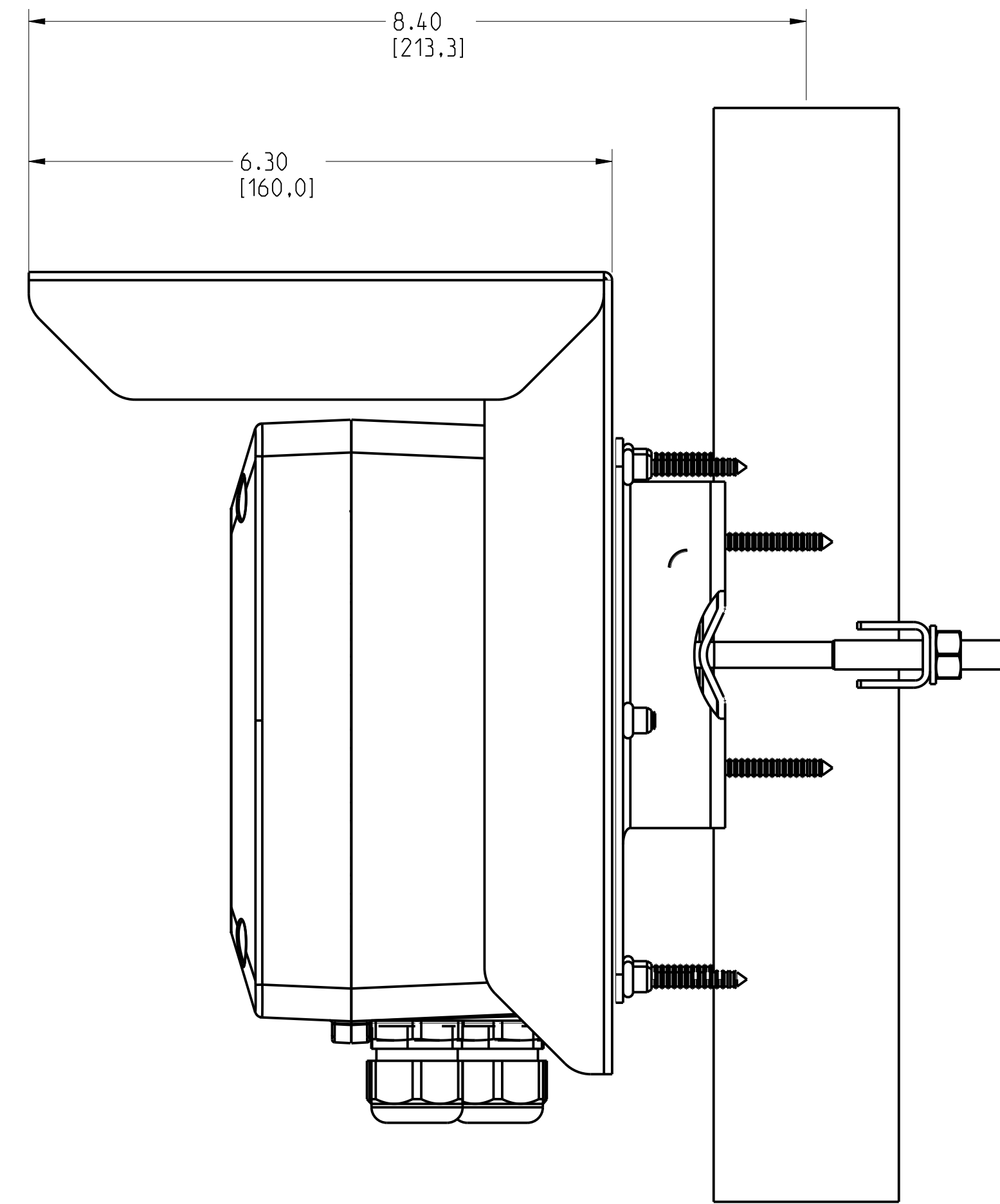
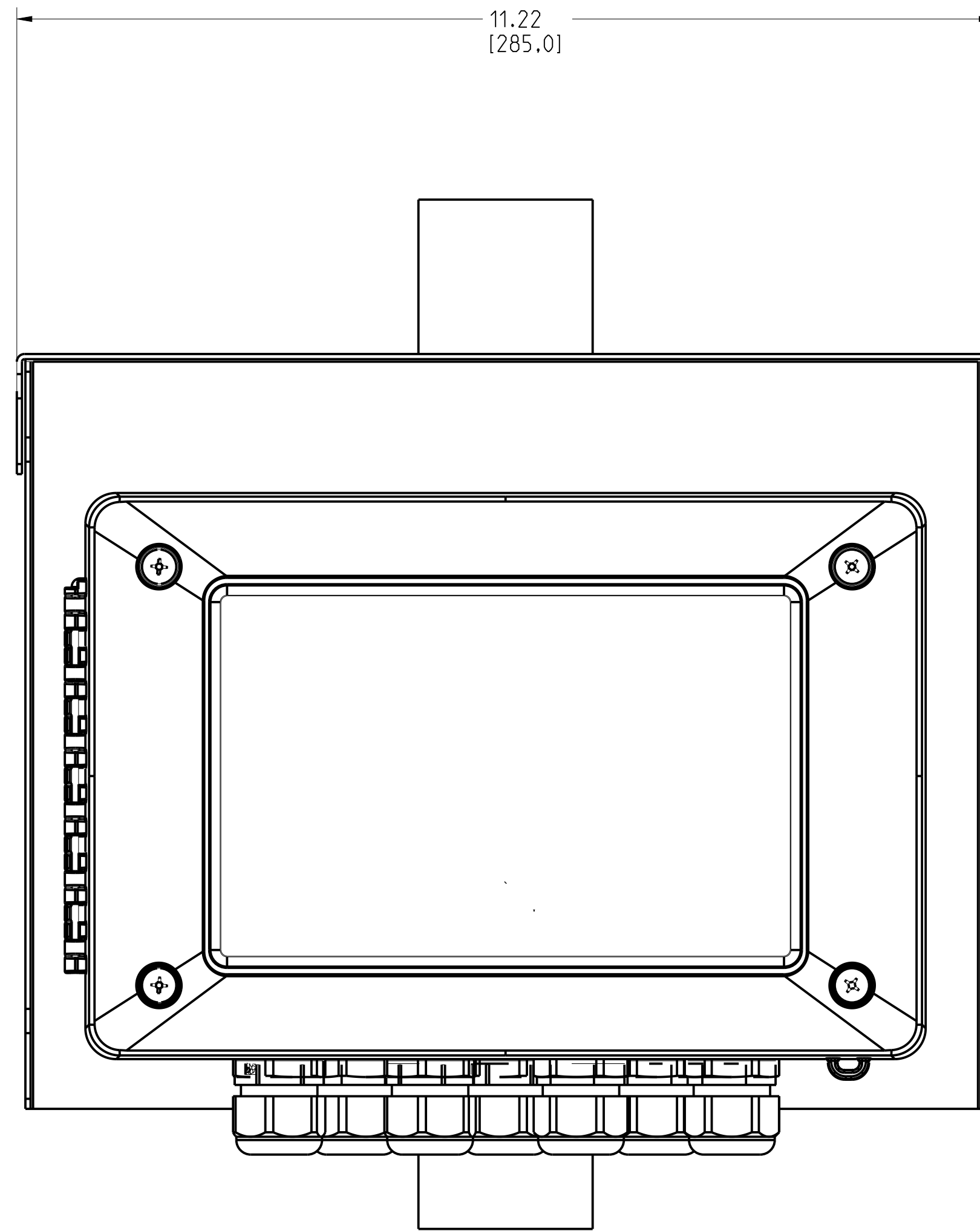
TITLE ROSEMOUNT 3490 CONTROLLER
TYPE I DRAWING

DR. J. ARMSTRONG 6/15/225 DRAWING NO. 03490-7000

APP'D S. NILSSON 6/15/22

CAD MAINTAINED. (PRO/EI) SHEET 1 OF 2

EMERSON 3490 DIGITAL CONTROLLER WITH MOUNTING BRACKET



©2015 ROSEMOUNT, INC.
 ROSEMOUNT INCORPORATES
 THIS INFORMATION IN
 ACCORDANCE WITH
 ROSEMOUNT ENGINEERING
 SPECIFICATIONS.
 UNIT NOTES IN INCHES (mm).

REFERENCE ROSEMOUNT
 PRODUCT SHEETS FOR
 PRODUCT SPECIFICATIONS.
 CLICK HERE

3RD ANGLE

EMERSON

TITLE ROSEMOUNT 3490 CONTROLLER
 TYPE I DRAWING

DR. J. ARMSTRONG 6/15/225 DRAWING NO. 03490-7000

APP'D S. NILSSON 6/15/22

CAD MAINTAINED. (PRO/E) SHEET 2 OF 2