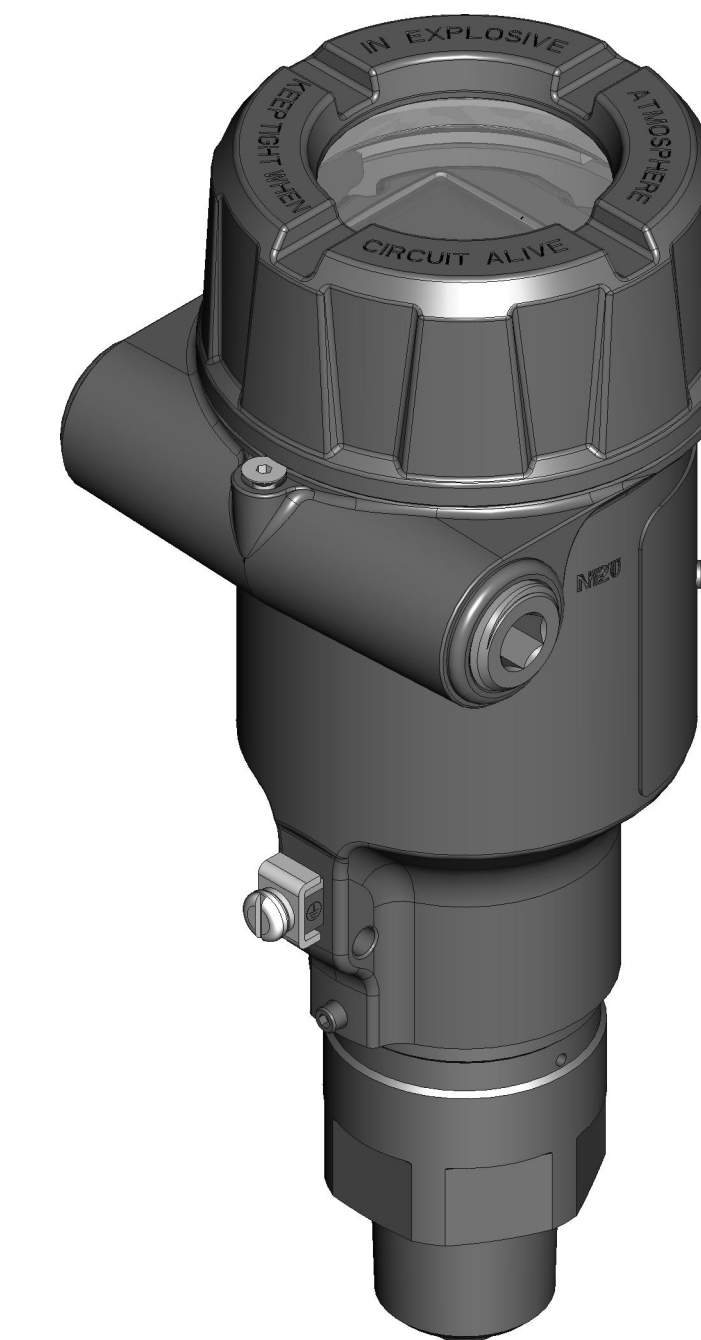
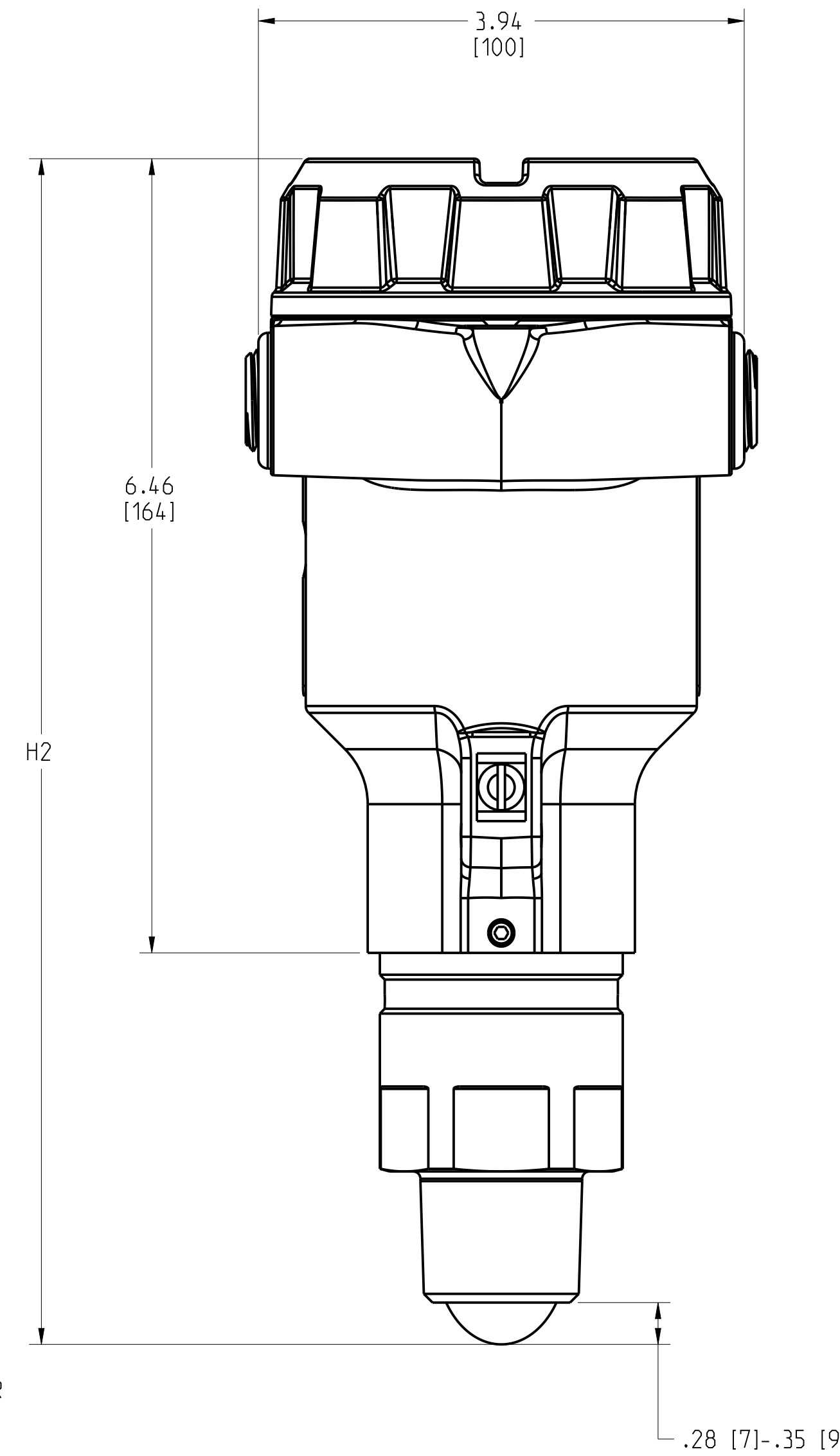
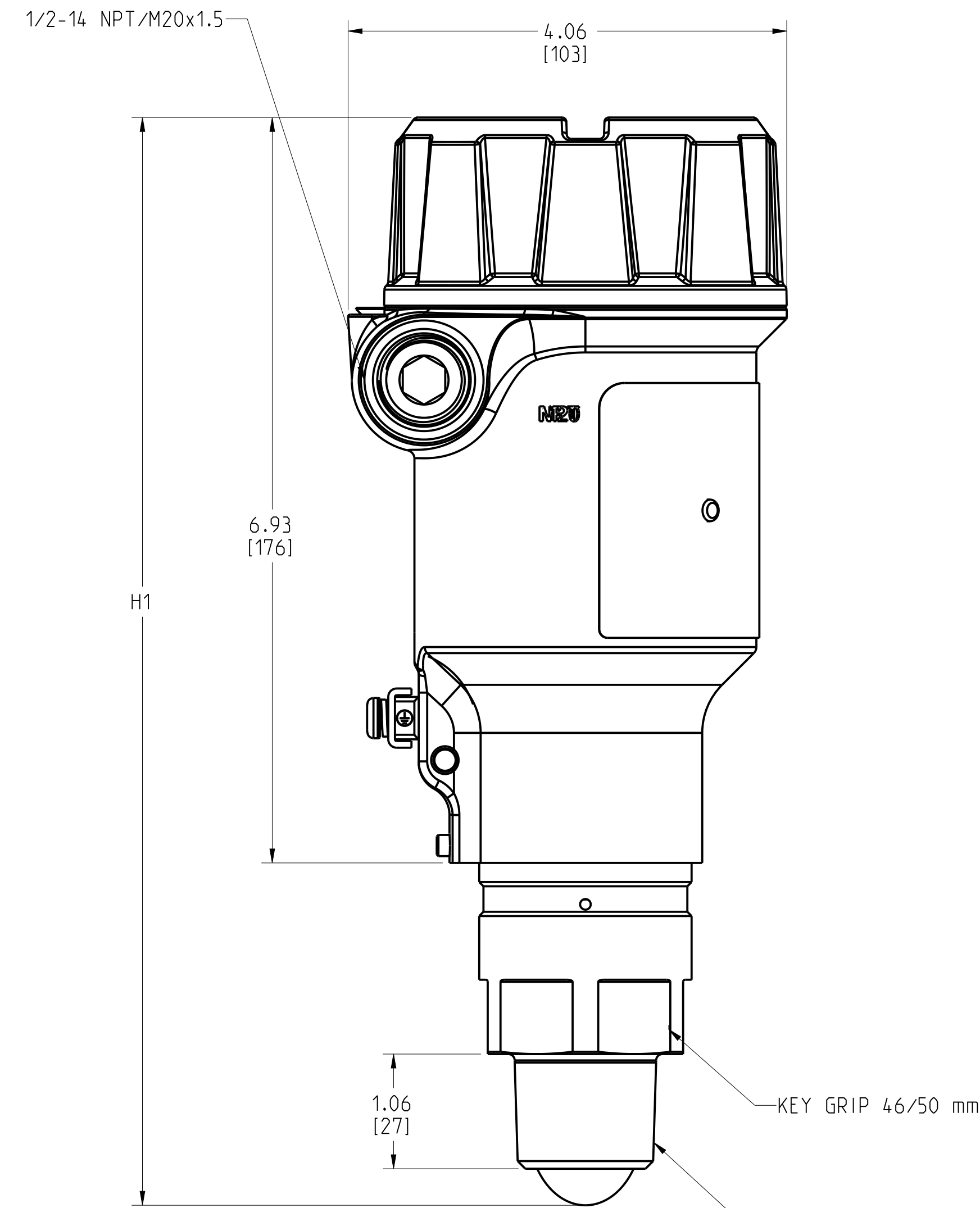


ROSEMOUNT 3408 LEVEL TRANSMITTER - NON-CONTACTING RADAR LENS ANTENNA THREADED CONNECTION

REVISION TABLE			
REVISION	ECO NO.	APP'D	DATE
AA	RTC1079733	B. LINDBLAD	9/5/22
DESCRIPTION			
NEW RELEASE			

LCD DISPLAY OPTION

NO LCD DISPLAY



THREADED CONNECTION	H1	H2
3/4" NPT/G	10.00 (254)	9.53 (242)
1", 1.5" NPT/G	10.12 (257)	9.65 (245)

AVAILABLE THREAD SIZE G 3/4", G 1", G 1.5" OR
3/4" NPT, 1" NPT, 1.5" NPT

©2015 ROSEMOUNT, INC. ROSEMOUNT INCORPORATES THIS INFORMATION IN THIS DOCUMENT IN ACCORDANCE WITH ROSEMOUNT ENGINEERING SPECIFICATIONS. UNIT NOTES IN INCHES (mm).

REFERENCE ROSEMOUNT PRODUCT SHEETS FOR PRODUCT SPECIFICATIONS. CLICK HERE

EMERSON

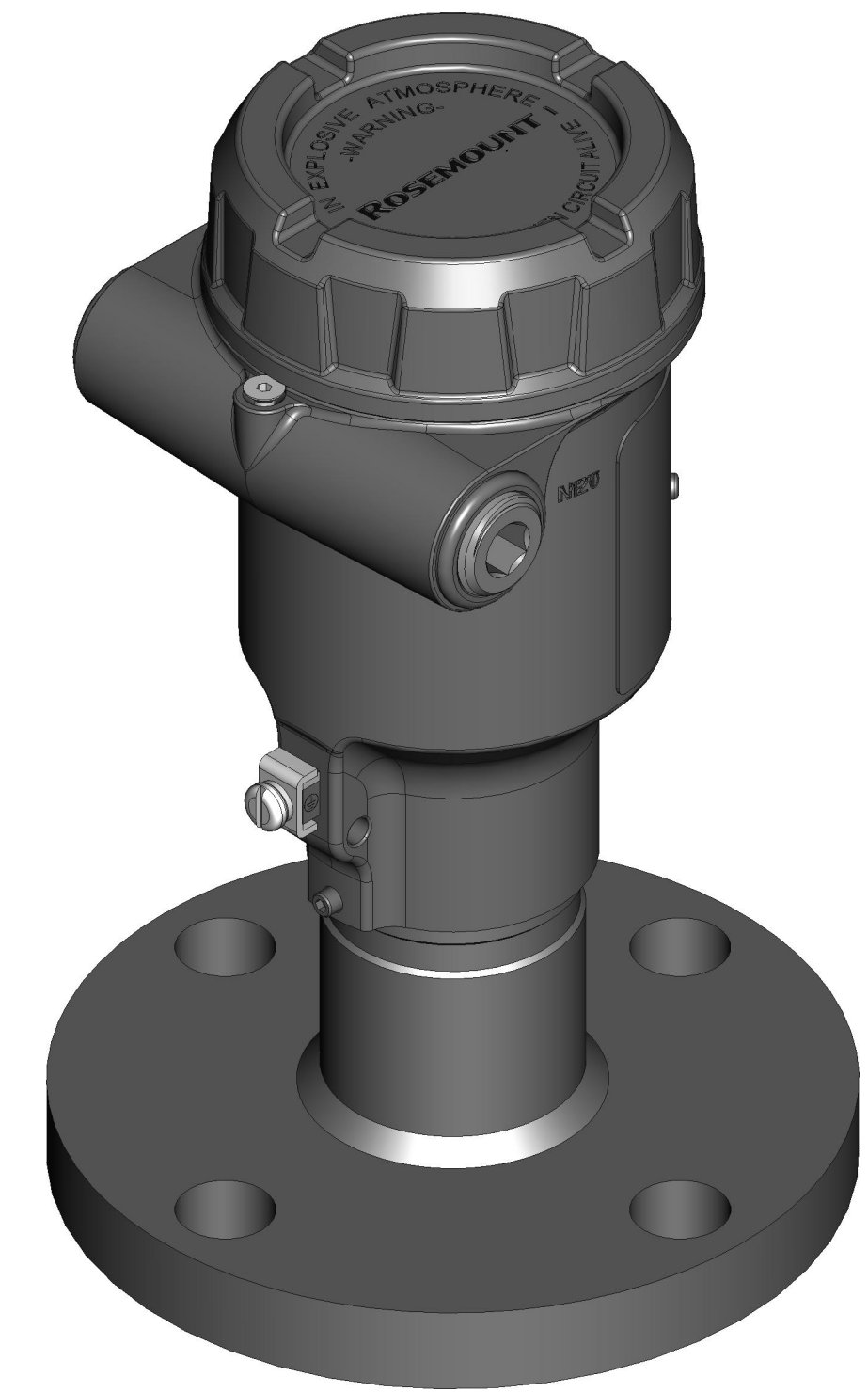
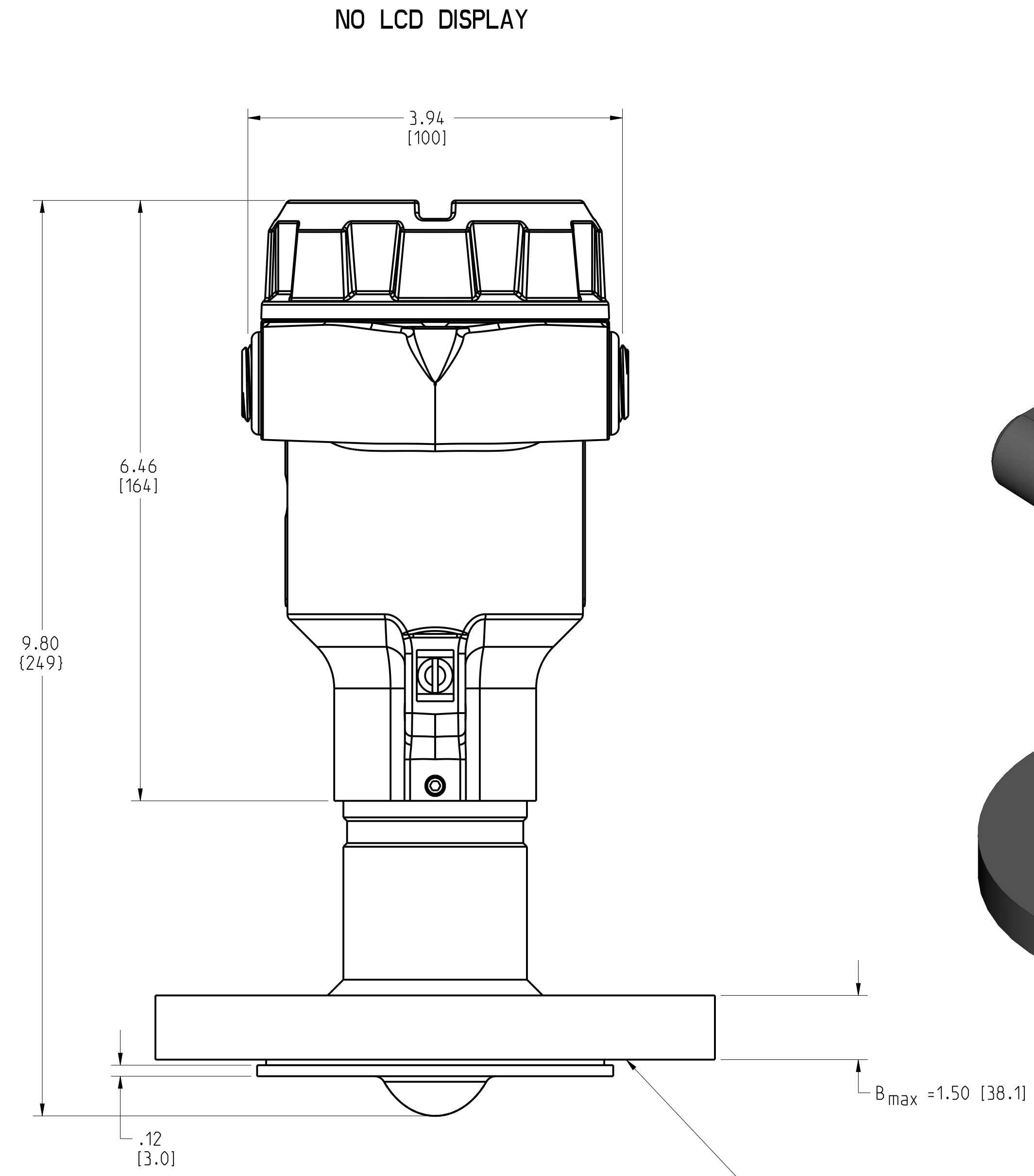
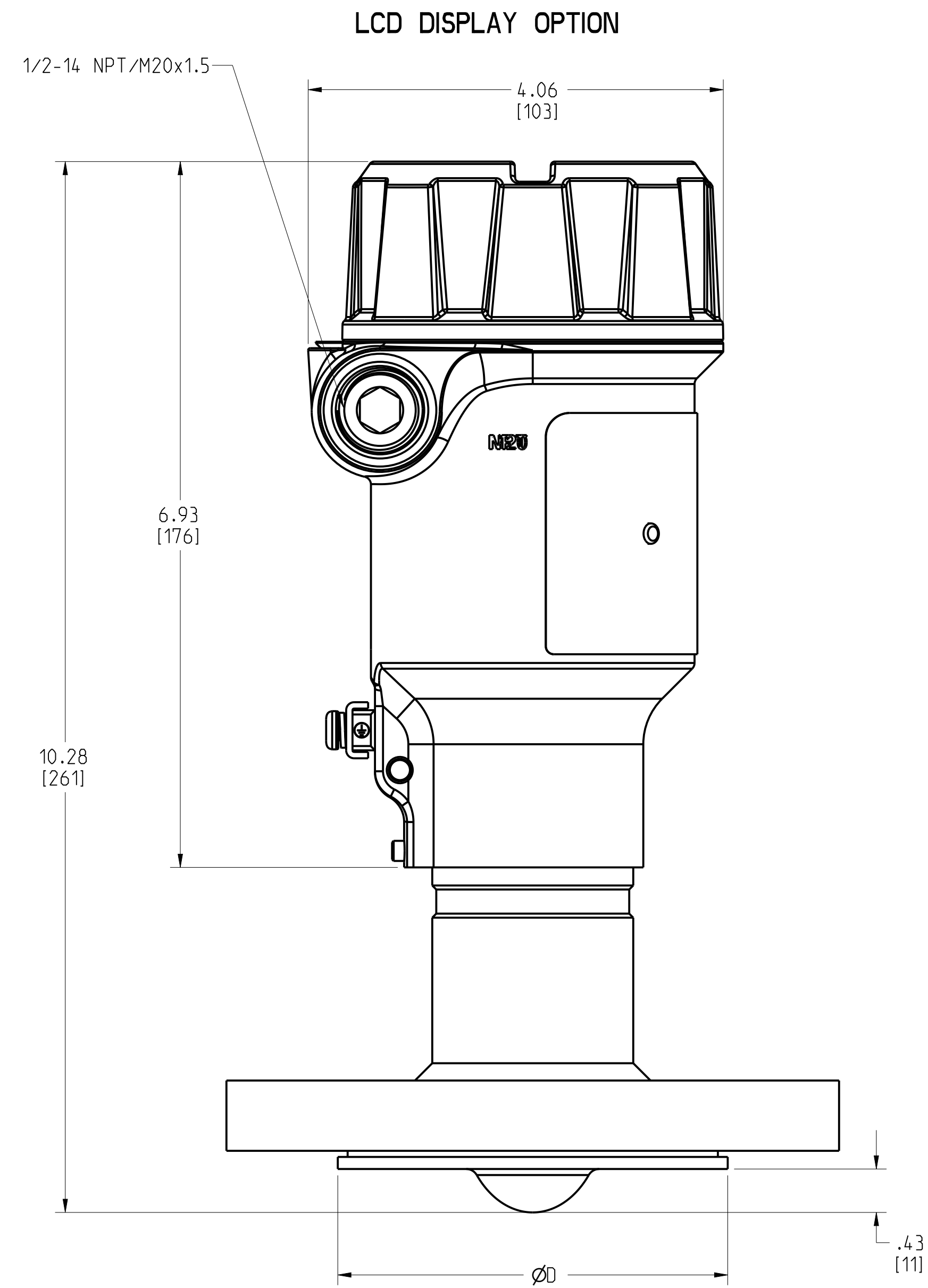
TITLE ROSEMOUNT 3408 RADAR TYPE I DRAWING

DR. J. ARMSTRONG 9/5/22 DRAWING NO. 03408-7000

APP'D B. LINDBLAD 9/5/22

CAD MAINTAINED (PRO/E) SHEET 1 OF 4

ROSEMOUNT 3408 LEVEL TRANSMITTER - NON-CONTACTING RADAR PROCESS SEAL ANTENNA



PROCESS CONNECTION SIZE	ØD
2-in./DN50/50A	3.82 (97)
3-in./DN80/80A	5.24 (133)
4-in./DN100/100A	6.02 (153)
6-in./DN150/150A	8.46 (215)

OUTER DIAMETER AND HOLE PATTERN ARE ACCORDING TO A SPECIFIC SELECTION OF FLANGES IN THE ASME, EN-, OR JIS-STANDARD

©2015 ROSEMOUNT, INC.
ROSEMOUNT INCORPORATES
THIS INFORMATION IN
THIS DRAWING IN ACCORDANCE WITH
ROSEMOUNT ENGINEERING
SPECIFICATIONS.
UNIT NOTES IN INCHES (mm).

REFERENCE ROSEMOUNT
PRODUCT SPECIFICATIONS FOR
PRODUCT SPECIFICATIONS.
CLICK HERE

EMERSON

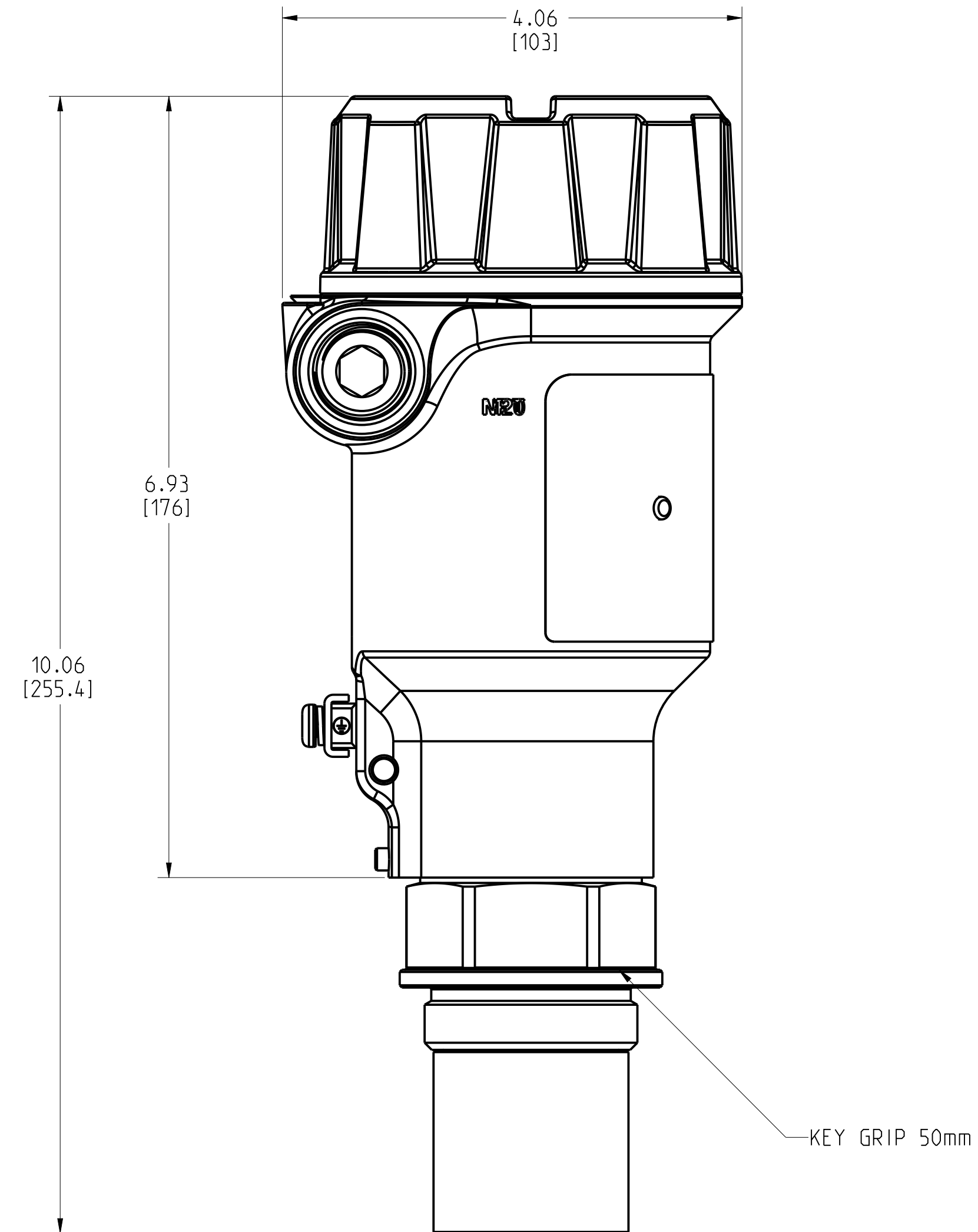
TITLE ROSEMOUNT 3408 RADAR
TYPE I DRAWING

DR. J. ARMSTRONG 9/5/22 DRAWING NO. 03408-7000
APP'D B. LINDBLAD 9/5/22

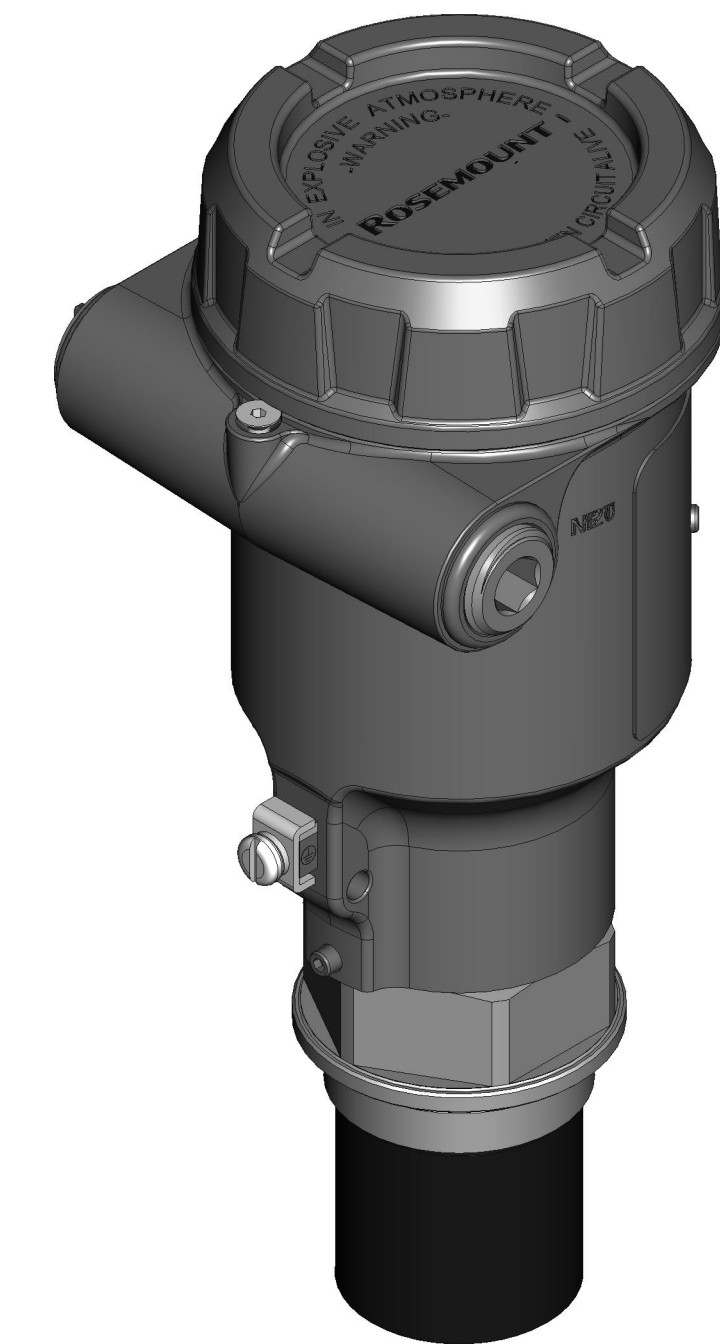
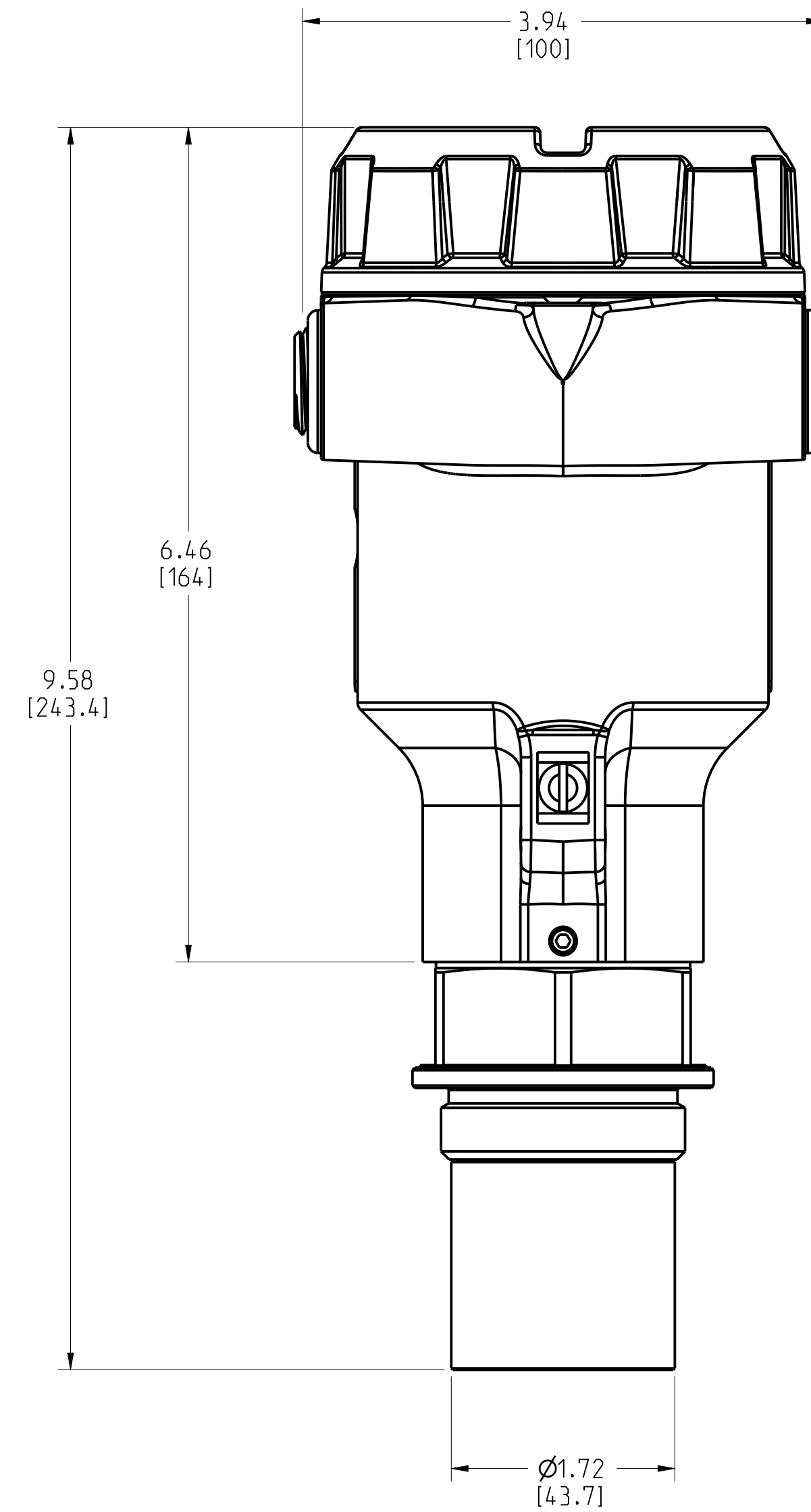
CAD MAINTAINED (PRO/EI) SHEET 2 OF 4

ROSEMOUNT 3408 LEVEL TRANSMITTER - NON-CONTACTING RADAR
 ATAP LENS ANTENNA

LCD DISPLAY OPTION

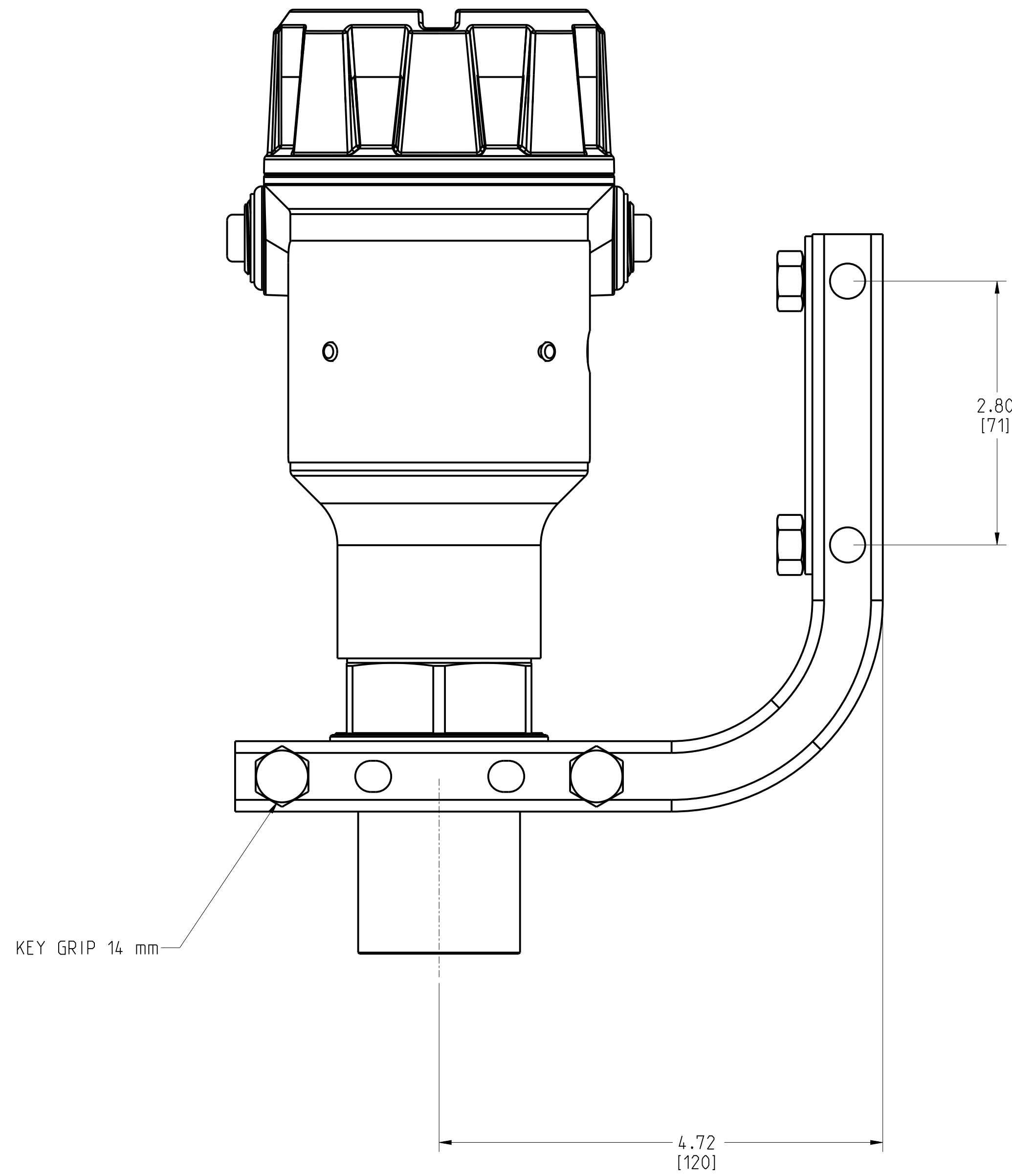
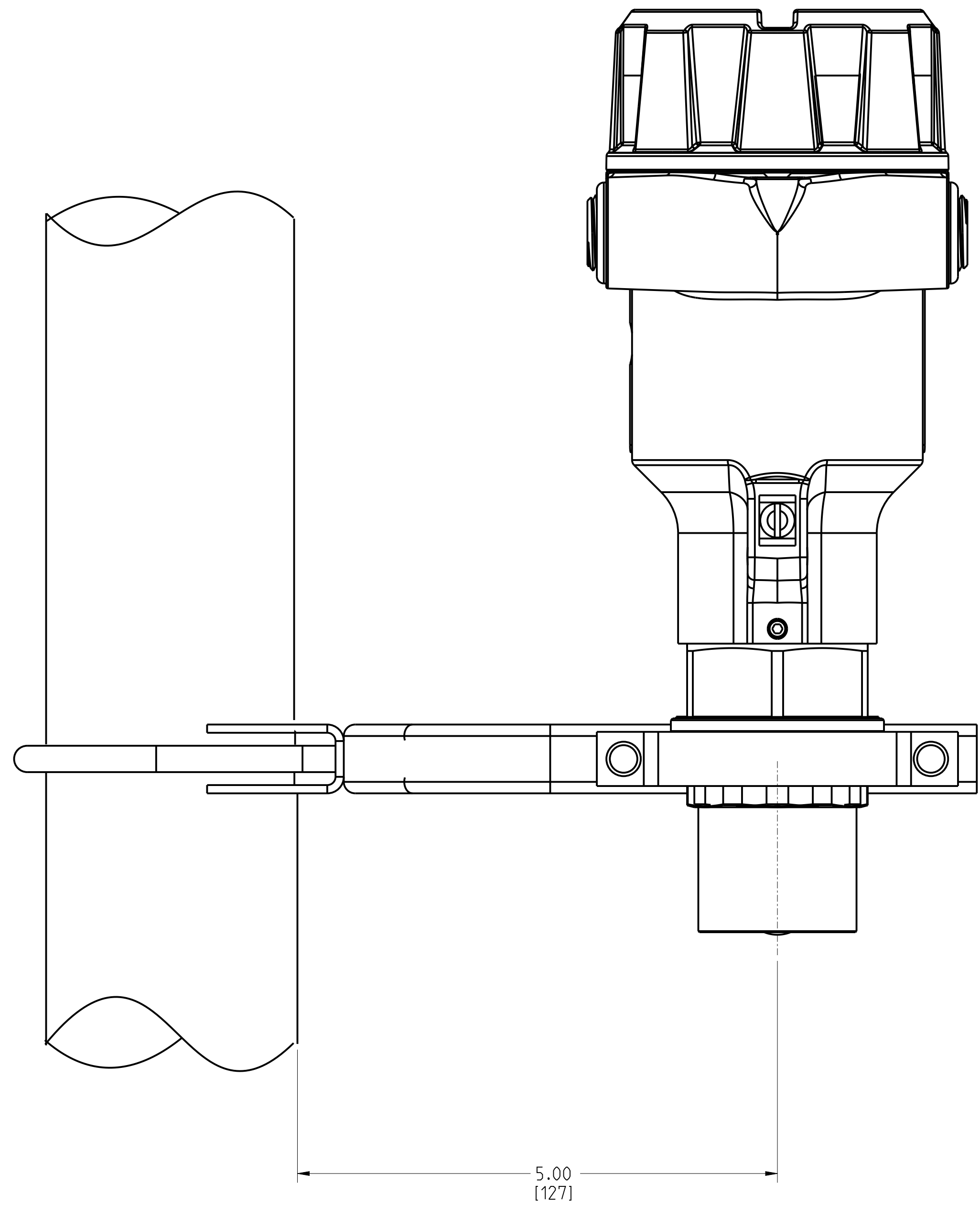
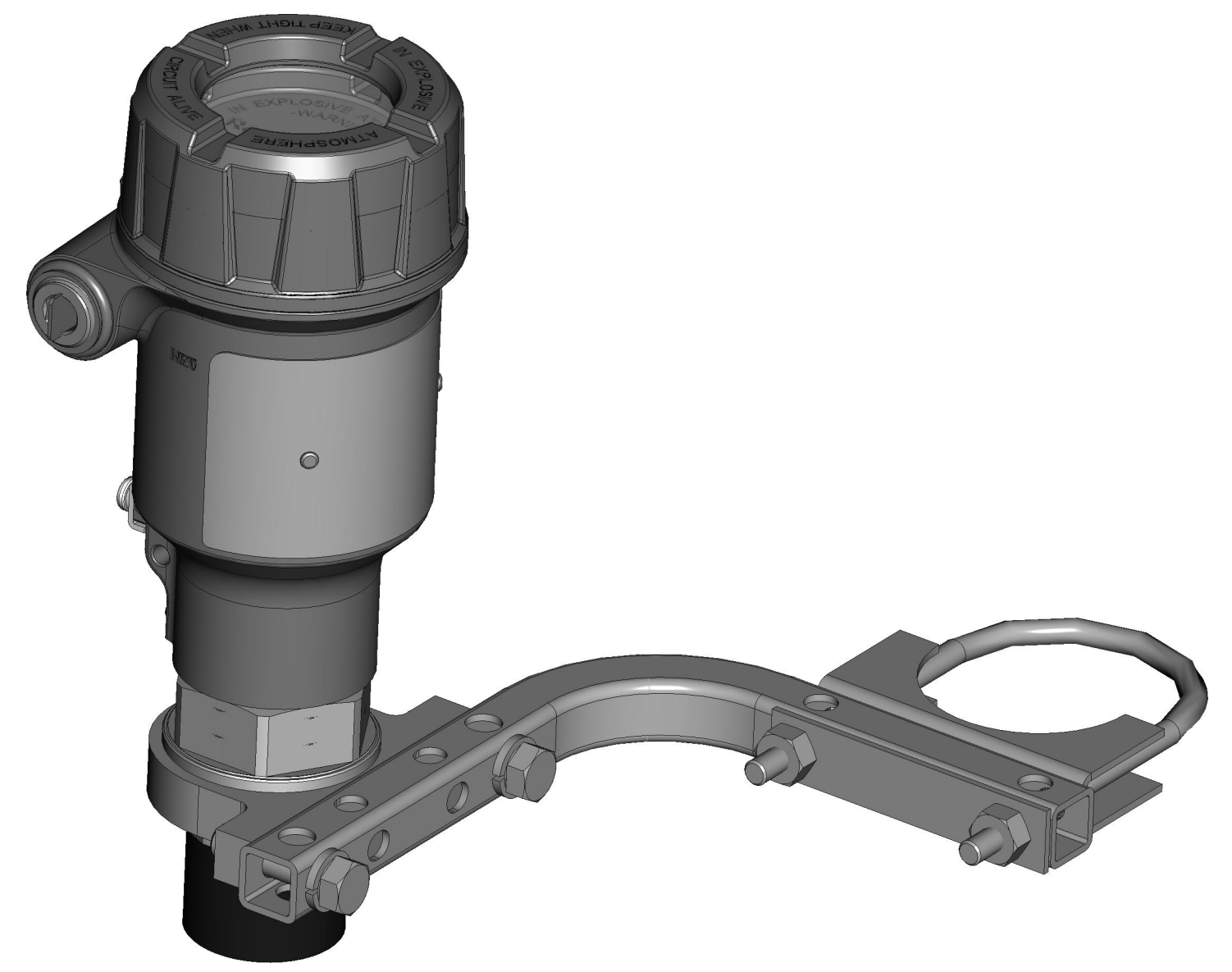


NO LCD DISPLAY



©2015 ROSEMOUNT, INC. ROSEMOUNT INC. ACCEPTS LIABILITY FOR THE INFORMATION PROVIDED HEREIN. THIS INFORMATION IS PROVIDED IN ACCORDANCE WITH ROSEMOUNT ENGINEERING SPECIFICATIONS. UNIT NOTES IN INCHES (mm). REFERENCE ROSEMOUNT PRODUCT SPECIFICATIONS FOR PRODUCT SPECIFICATIONS. CLICK HERE	3RD ANGLE	SIZE D	SCALE NTS
	TITLE ROSEMOUNT 3408 RADAR TYPE I DRAWING		
	DR. J. ARMSTRONG 9/5/22	DRAWING NO.	03408-7000
APP'D B. LINDBLAD 9/5/22	CAD MAINTAINED (PRO/EI) SHEET 3 OF 4		

ROSEMOUNT 3408 LEVEL TRANSMITTER - NON-CONTACTING RADAR
 ATAP LENS ANTENNA WITH MOUNTING BRACKET



©2015 ROSEMOUNT, INC. ROSEMOUNT INC. EXPRESSLY DISCLAIMS LIABILITY FOR THIS ACCORDANCE WITH ROSEMOUNT ENGINEERING SPECIFICATIONS. UNIT NOTES IN INCHES (mm). REFERENCE ROSEMOUNT PRODUCT SHEETS FOR PRODUCT SPECIFICATIONS. CLICK HERE	3RD ANGLE	SIZE D	SCALE NTS
	TITLE ROSEMOUNT 3408 RADAR TYPE I DRAWING		
	DR. J. ARMSTRONG 9/5/22	DRAWING NO.	03408-7000
APP'D B. LINDBLAD 9/5/22			SHEET 4 OF 4
CAD MAINTAINED: (PRO/EI)			