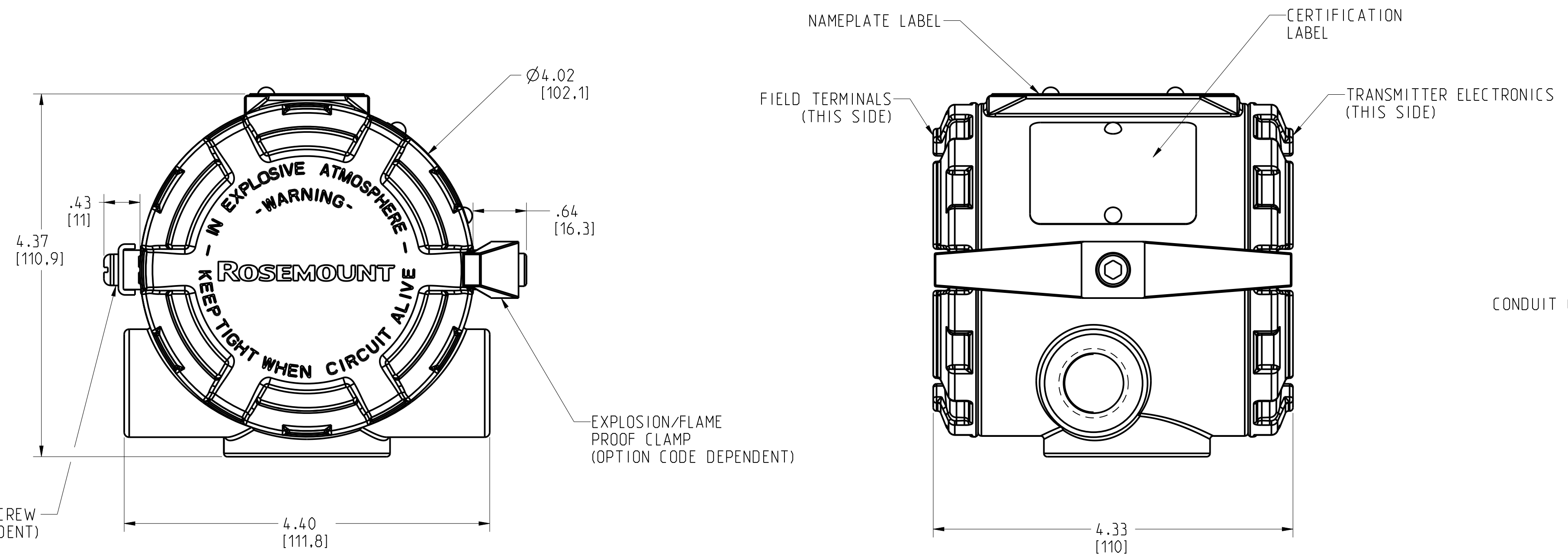
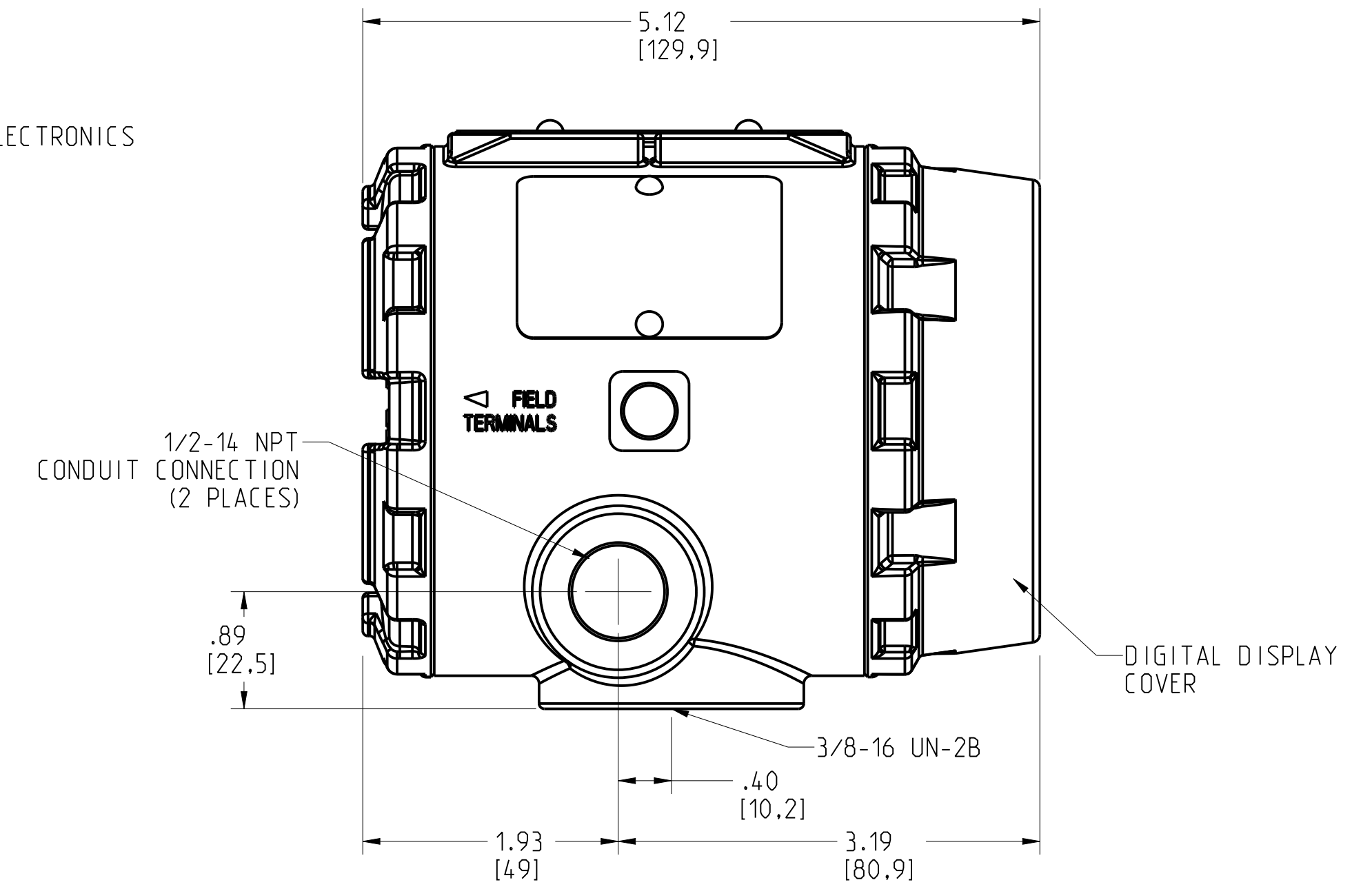


ROSEMOUNT 3144P TEMPERATURE TRANSMITTER

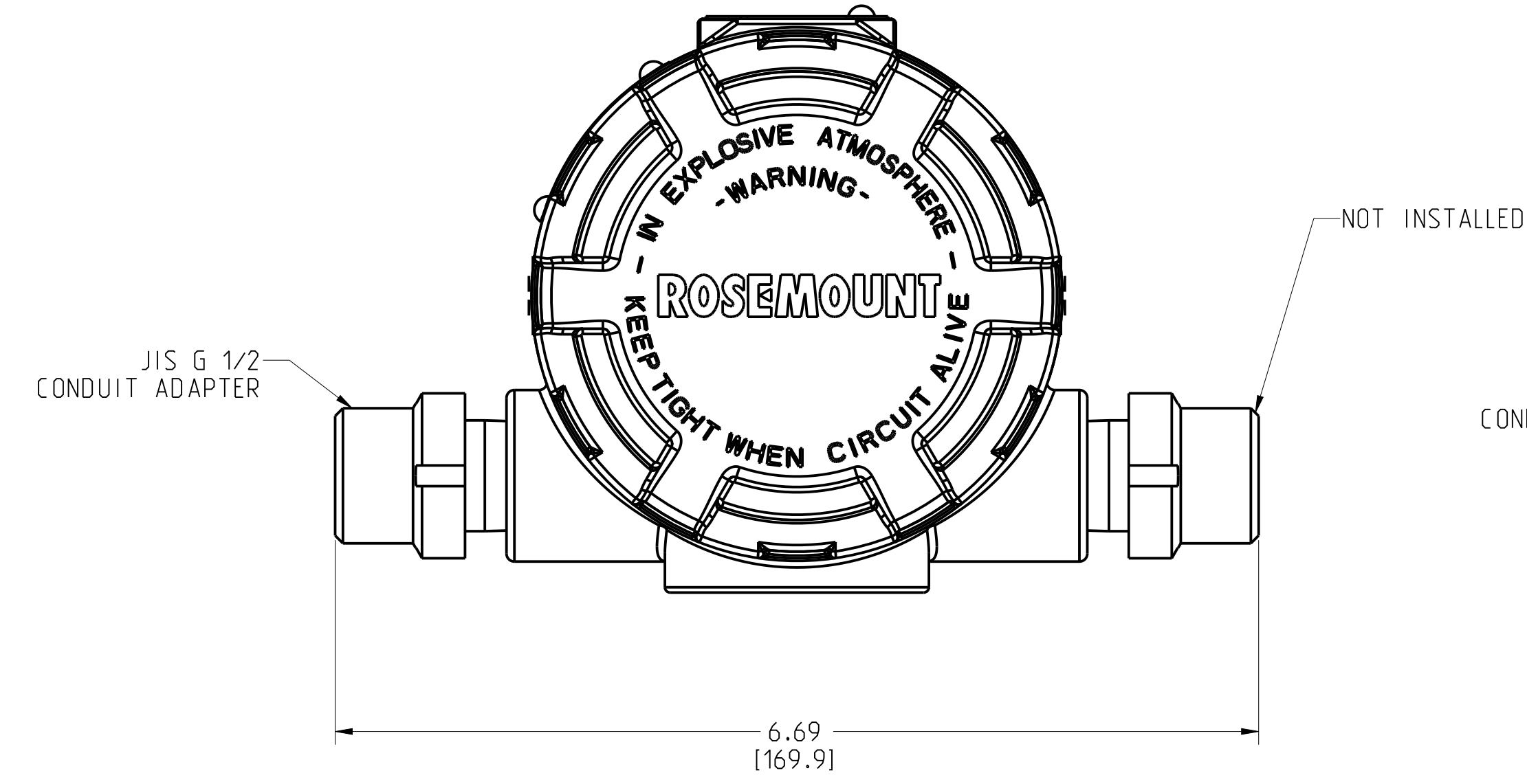
REVISION TABLE			
REVISION	ECO NO.	APP'D	DATE
AF	RTC1080161	N. LOYA	1/14/23
DESCRIPTION			
UPDATE WITH UNIVERSAL MOUNTING PAGE.			



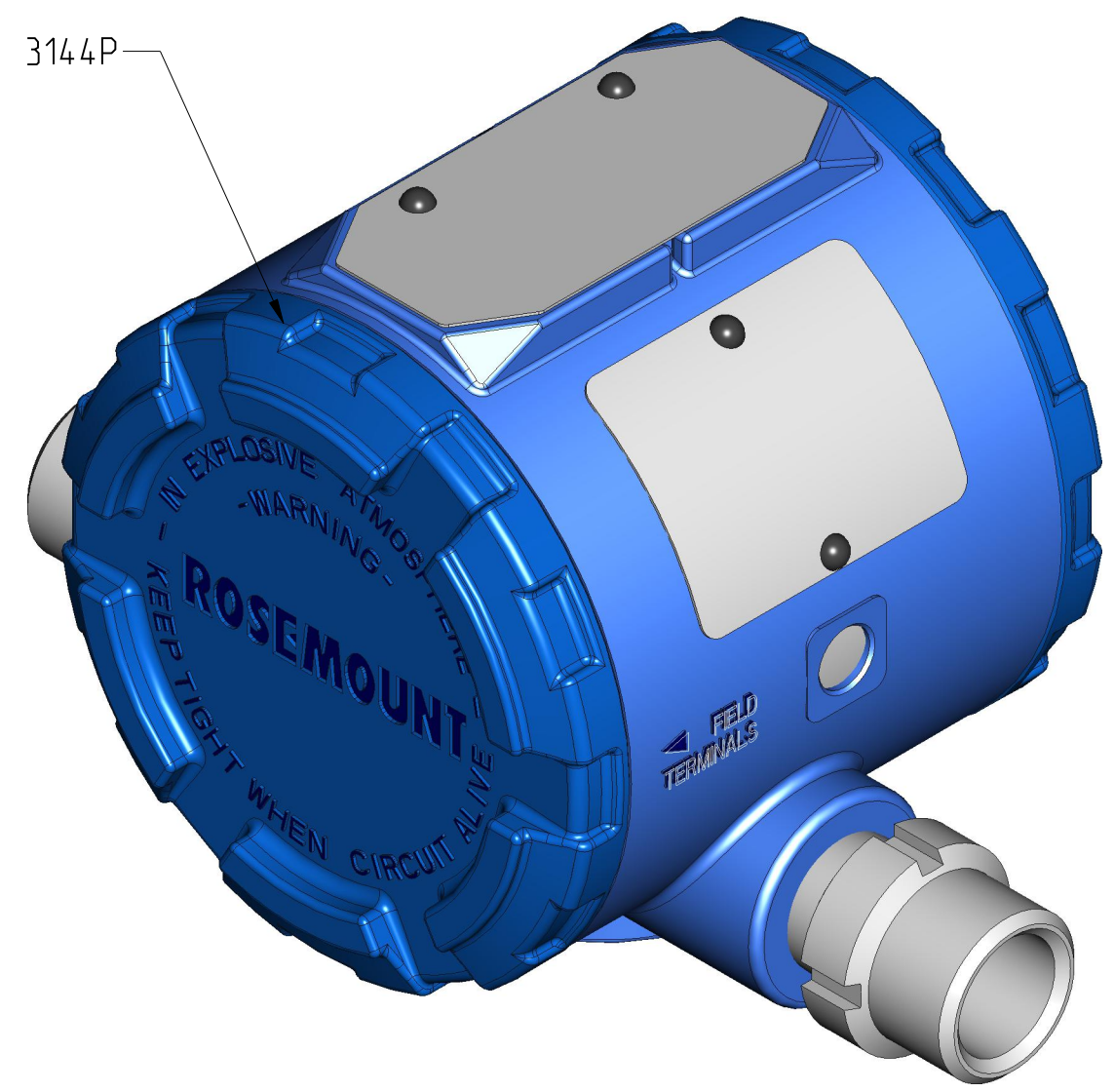
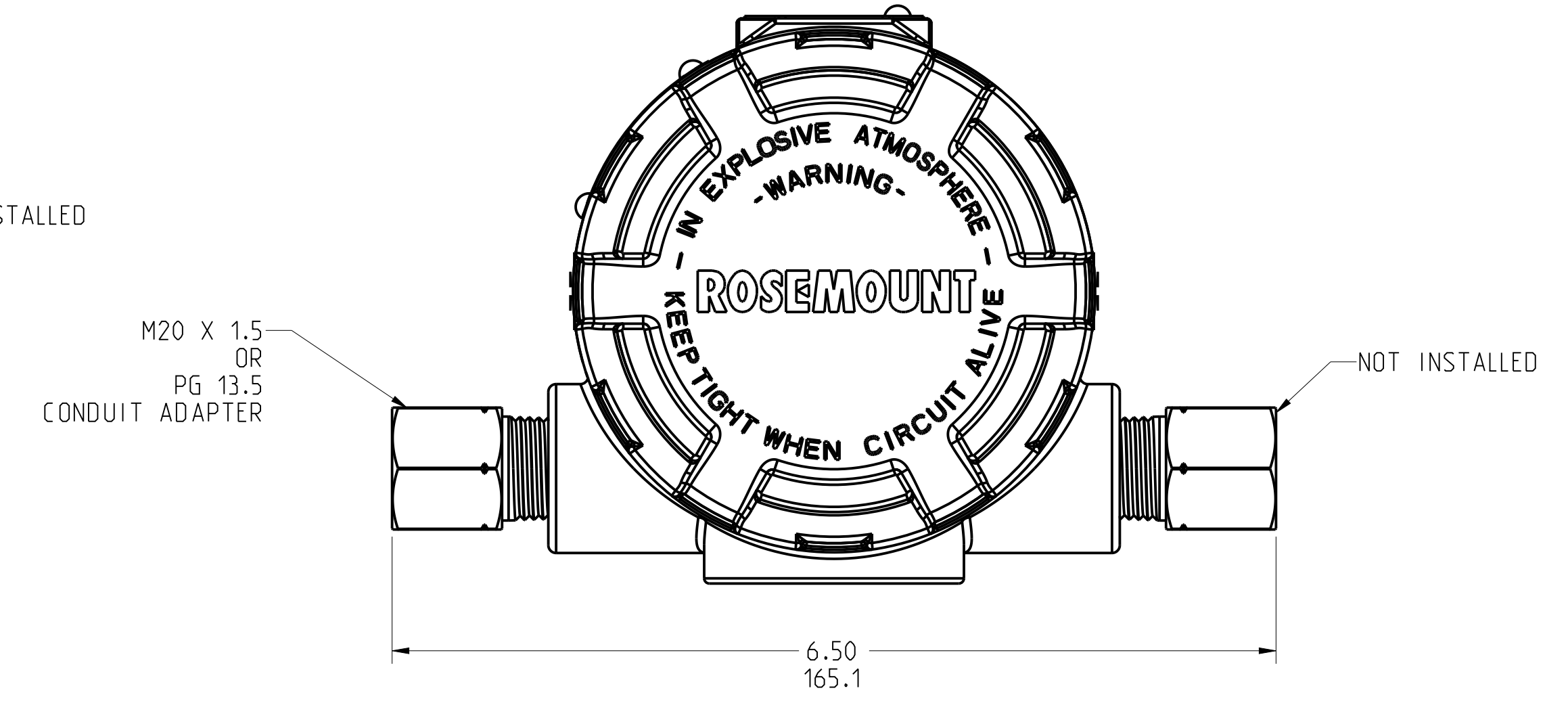
SHOWN WITH OPTIONAL DIGITAL DISPLAY



SHOWN WITH OPTIONAL JIS G 1/2 CONDUIT ADAPTER



SHOWN WITH OPTIONAL M20 X 1.5 OR PG 13.5 CONDUIT ADAPTER



1. 1.00 IN. [25.4] CLEARANCE REQUIRED TO REMOVE COVERS.

NOTES:

©2015 ROSEMOUNT INC. ROSEMOUNT INC. ACCEPTS THIS LIABILITY IN THIS ACCORDANCE WITH ROSEMOUNT ENGINEERING SPECIFICATIONS. UNIT NOTES IN INCHES (mm).

REFERENCE ROSEMOUNT PRODUCT SHEETS FOR PRODUCT SPECIFICATIONS. CLICK HERE

EMERSON

TITLE ROSEMOUNT 3144P TRANSMITTER TYPE I DRAWING

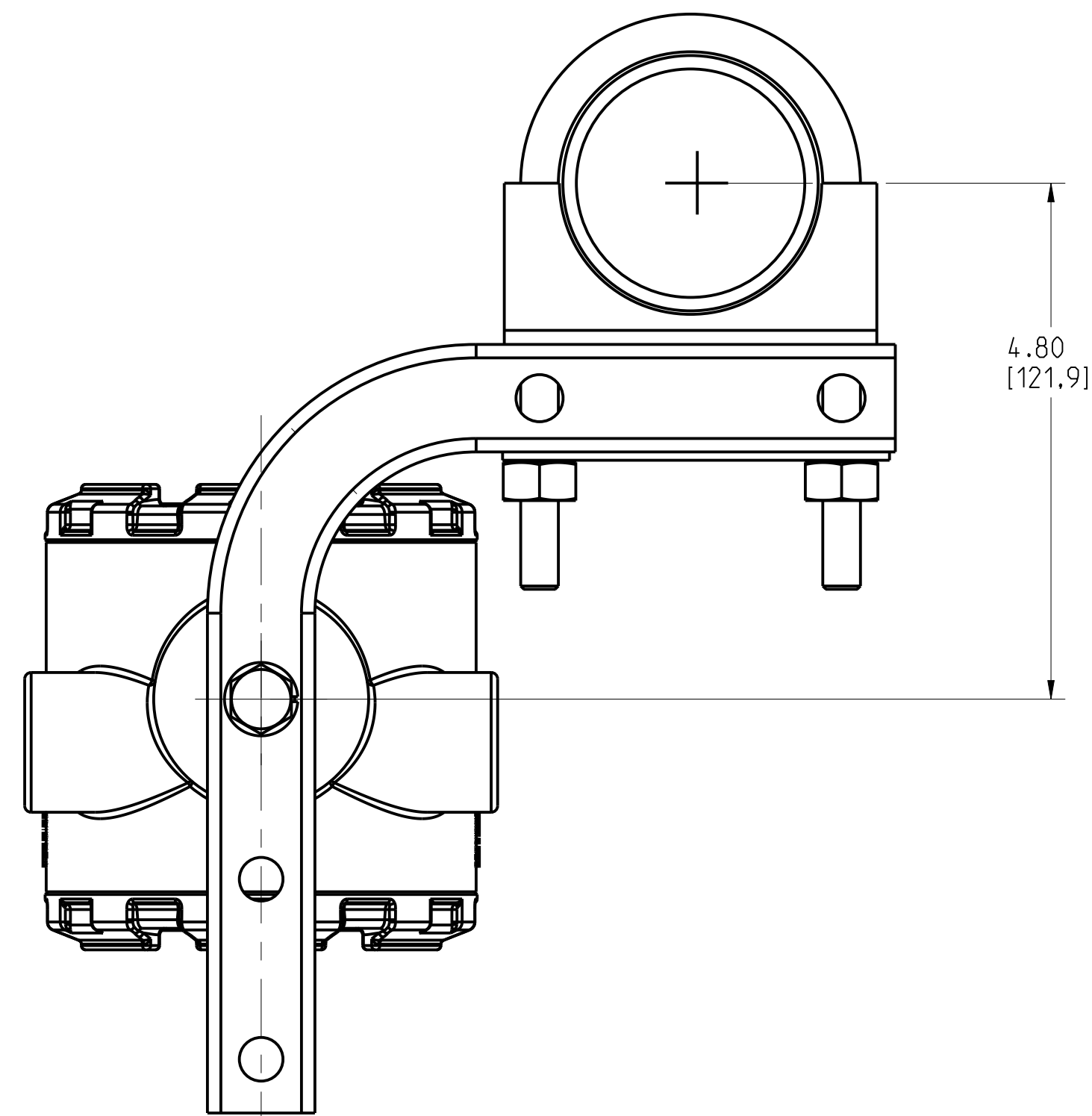
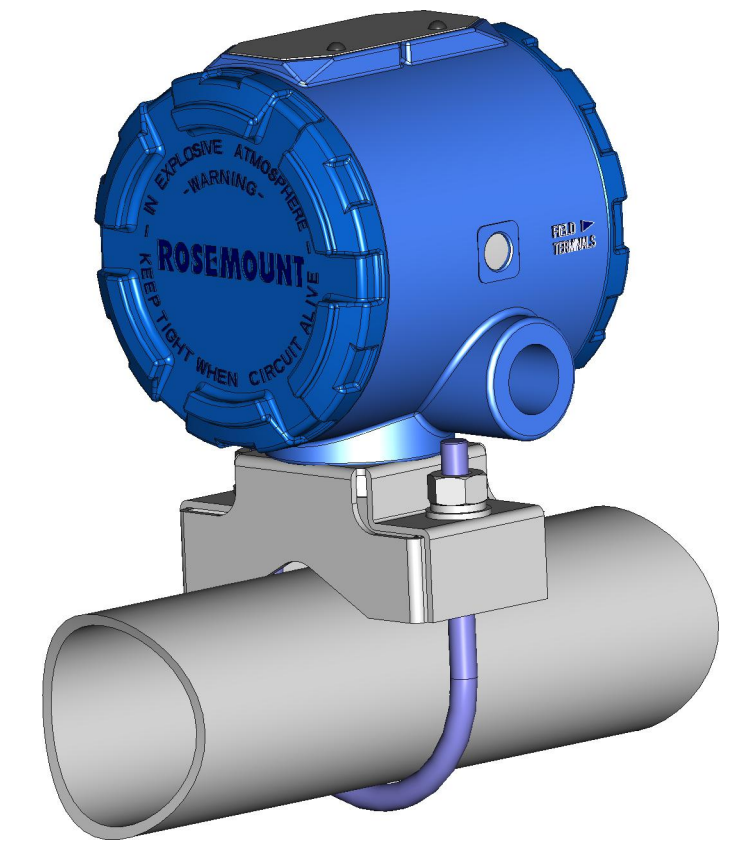
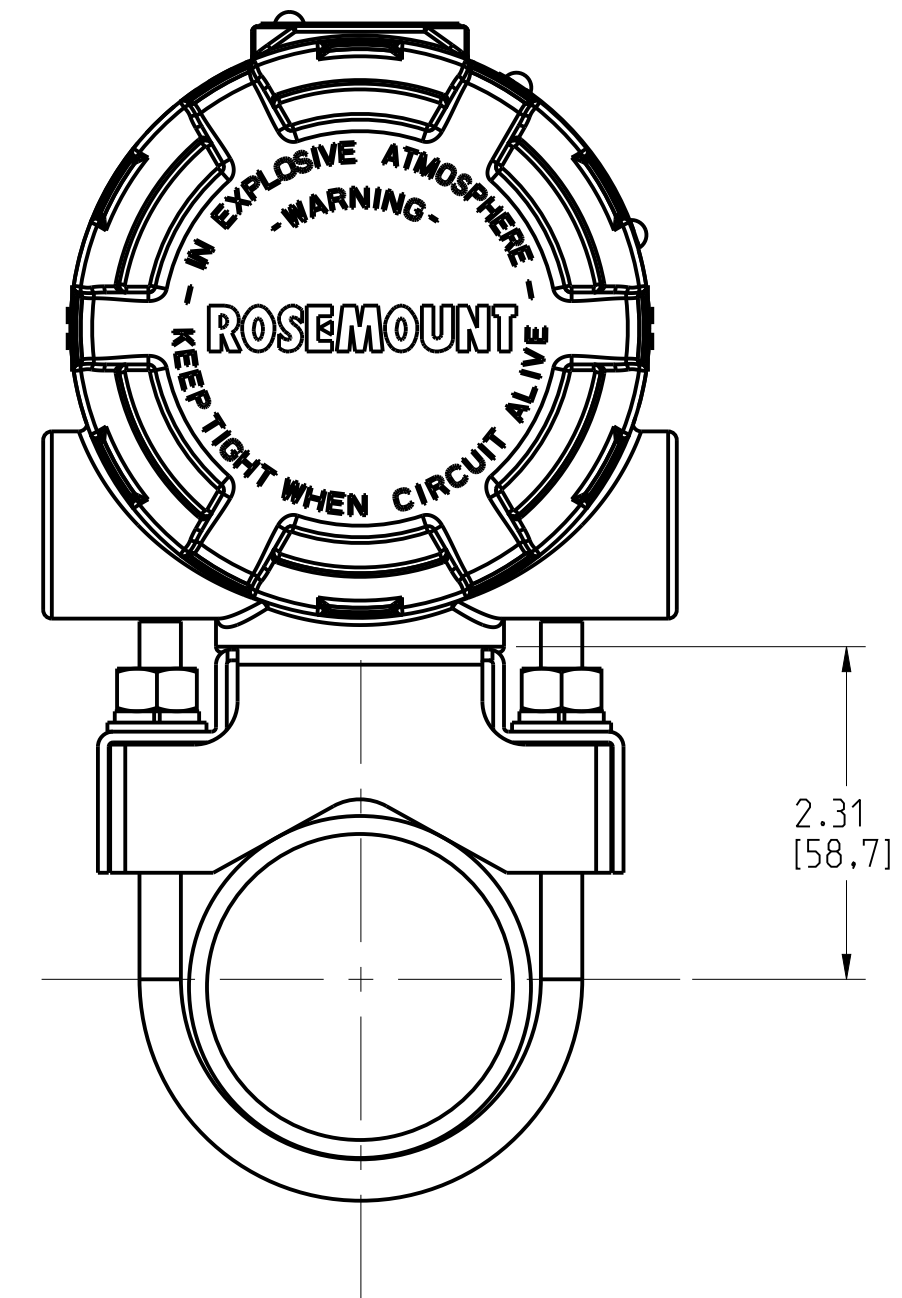
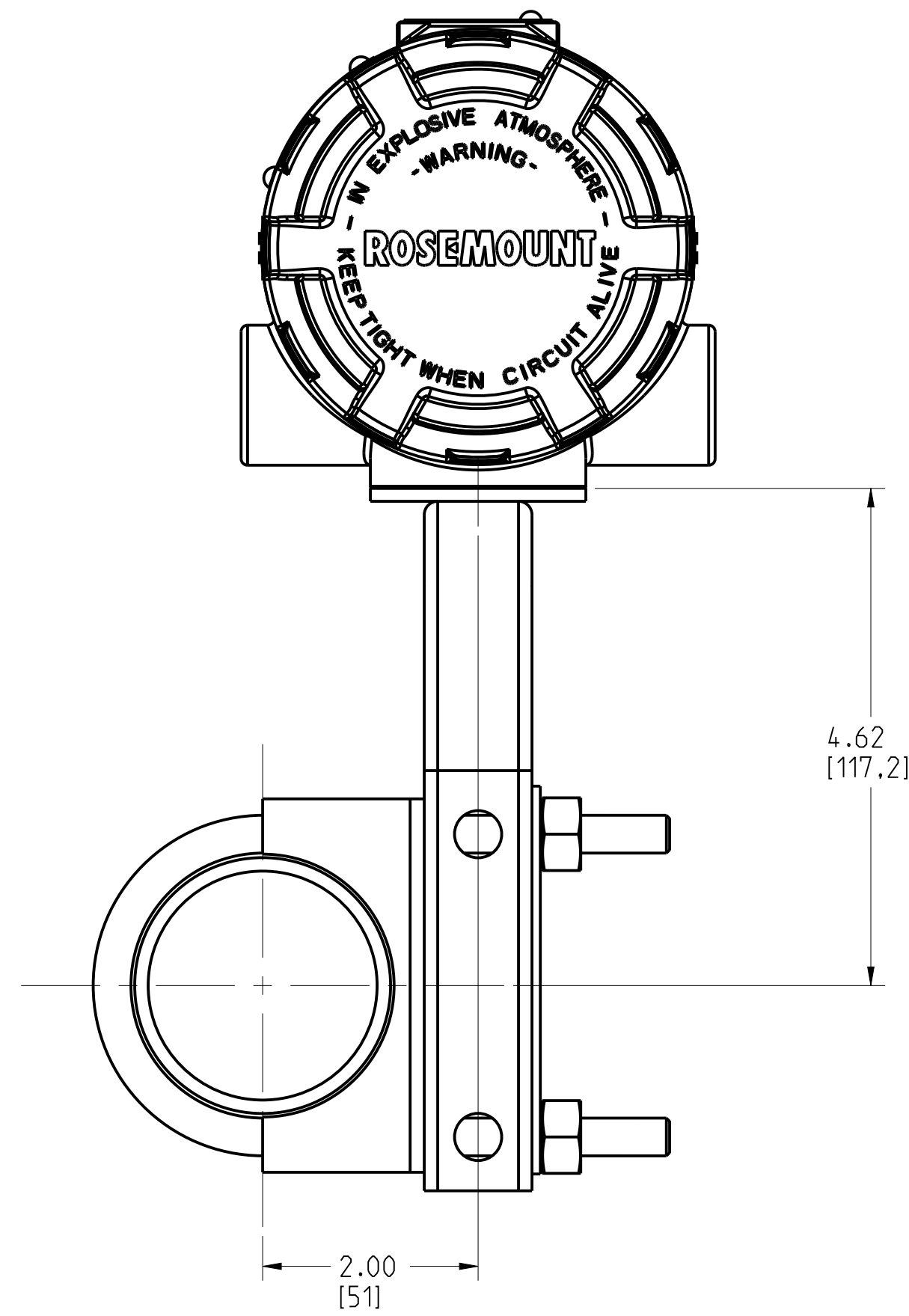
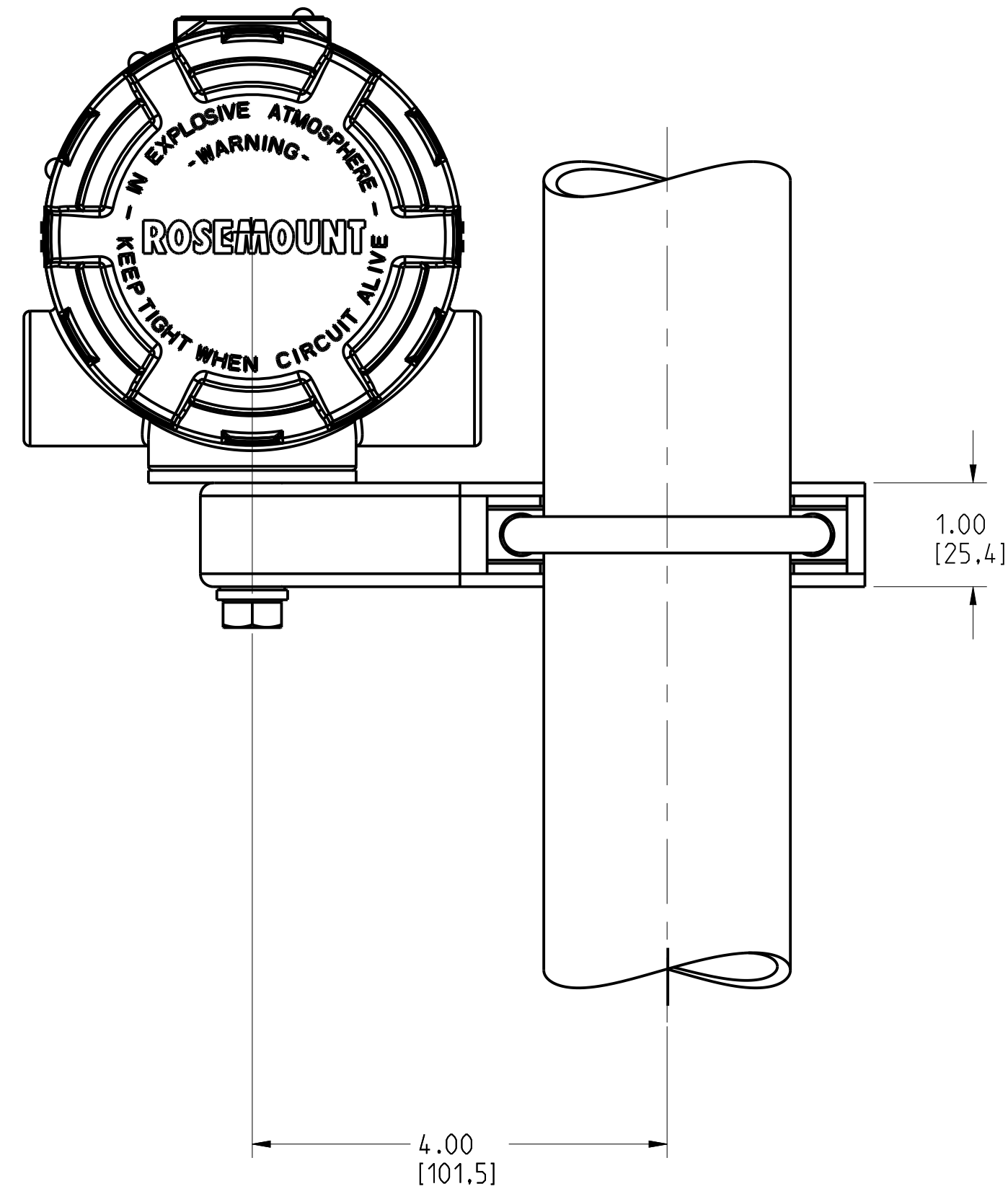
DR. JLA 4/3/13 DRAWING NO. 03144-0111

APP'D A. DIERKER 8/24/16

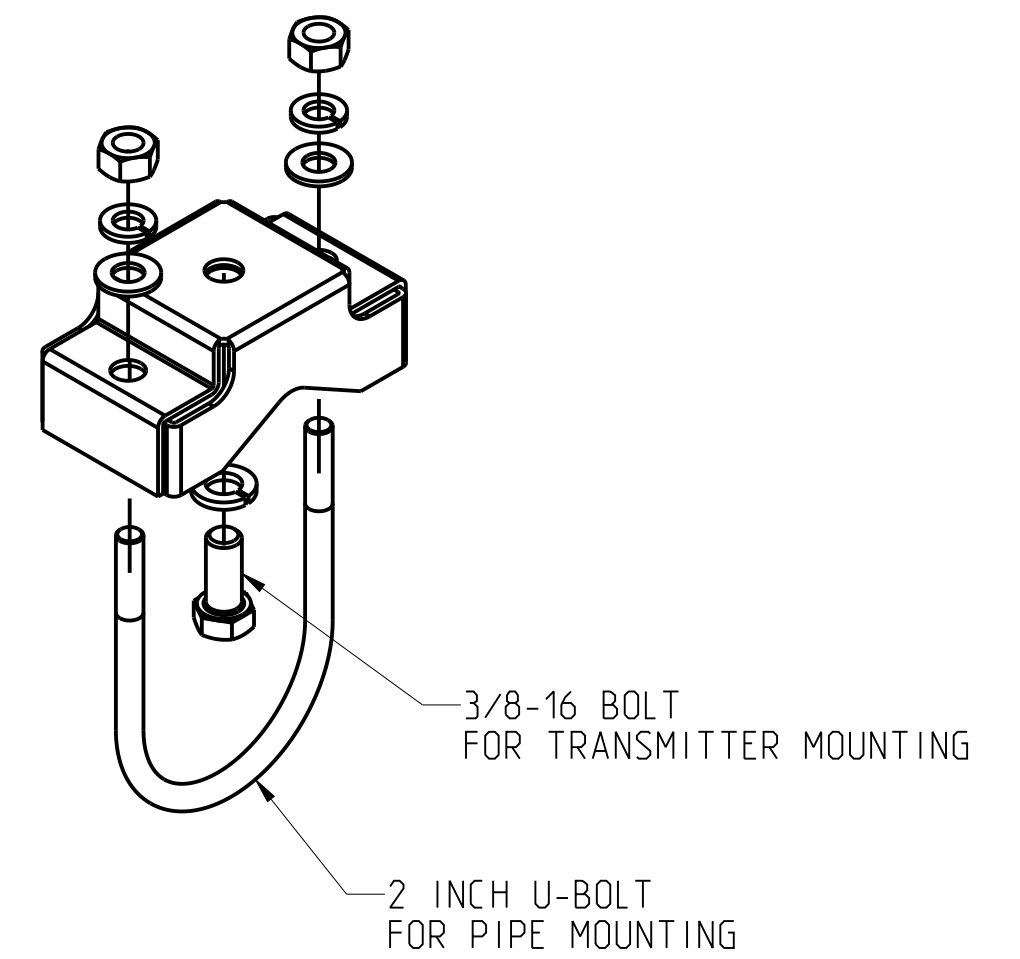
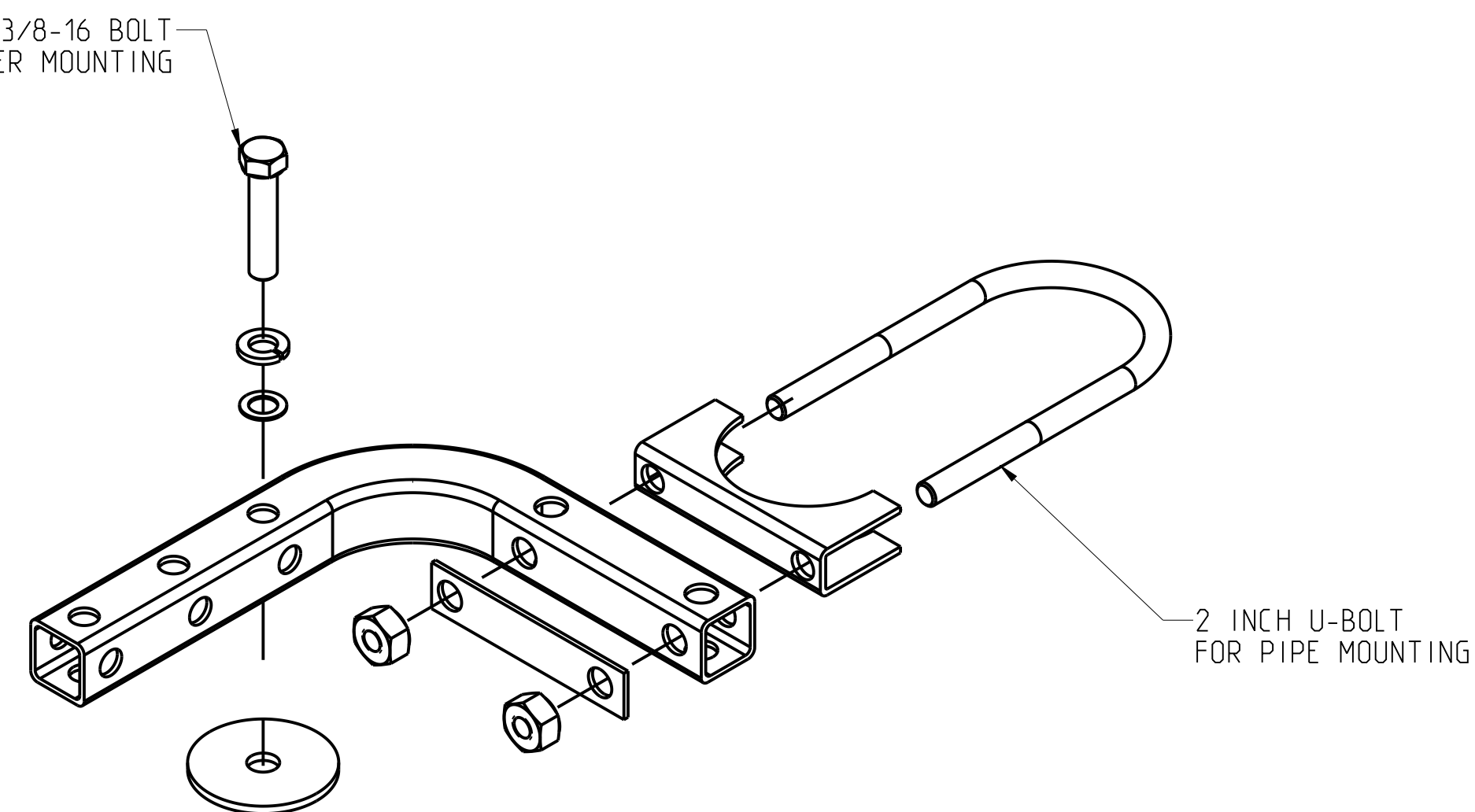
CAD MAINTAINED (PRO/EI) SHEET 1 OF 4

ROSEMOUNT 3144P TEMPERATURE TRANSMITTER
MOUNTING CONFIGURATIONS WITH OPTIONAL MOUNTING BRACKET

PIPE MOUNTING



3/8-16 BOLT
FOR TRANSMITTER MOUNTING



©2015 ROSEMOUNT, INC.
ROSEMOUNT INCORPORATES
THIS INFORMATION IN
THE ACCORDANCE WITH
ROSEMOUNT ENGINEERING
SPECIFICATIONS.
UNIT NOTES IN INCHES (mm).

REFERENCE ROSEMOUNT
PRODUCT SHEETS FOR
PRODUCT SPECIFICATIONS.
CLICK HERE

3RD ANGLE

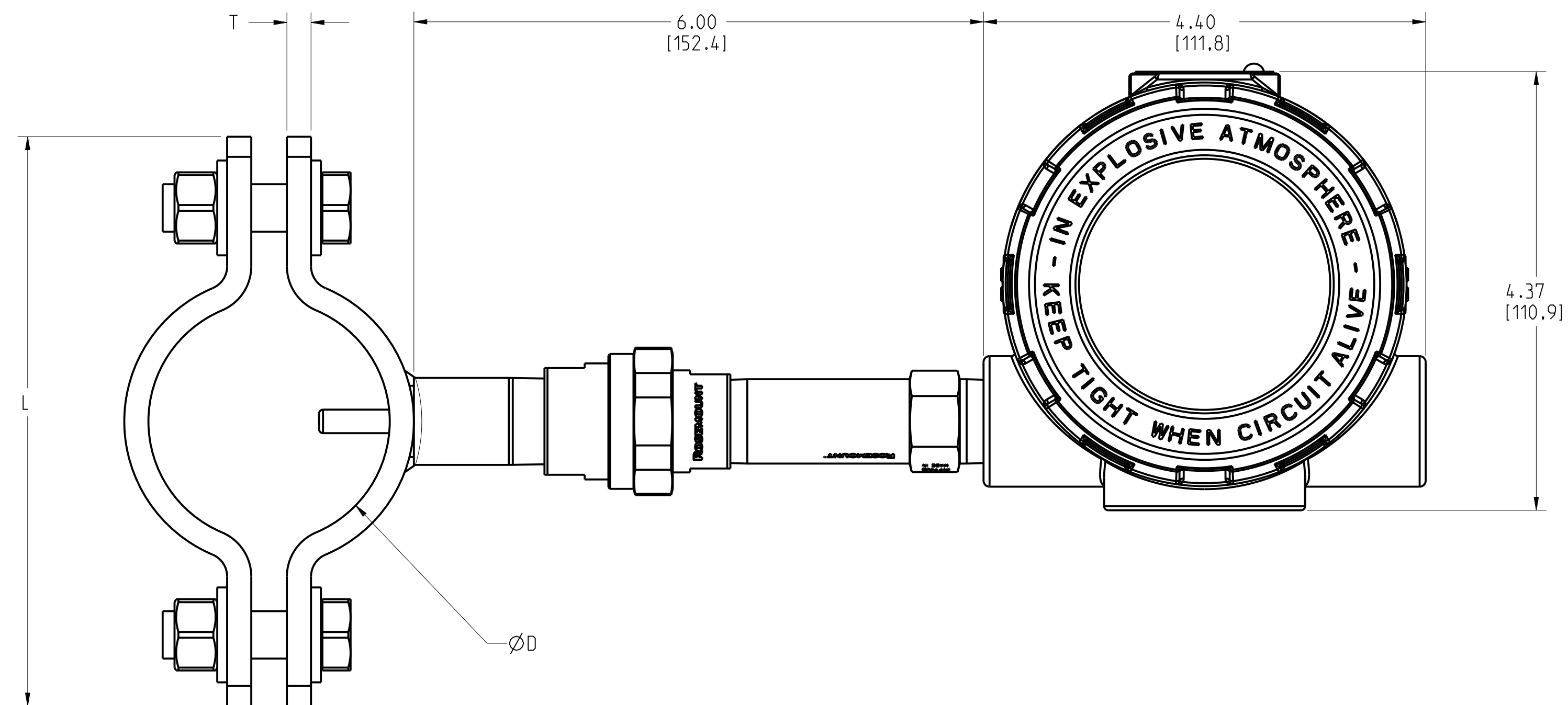
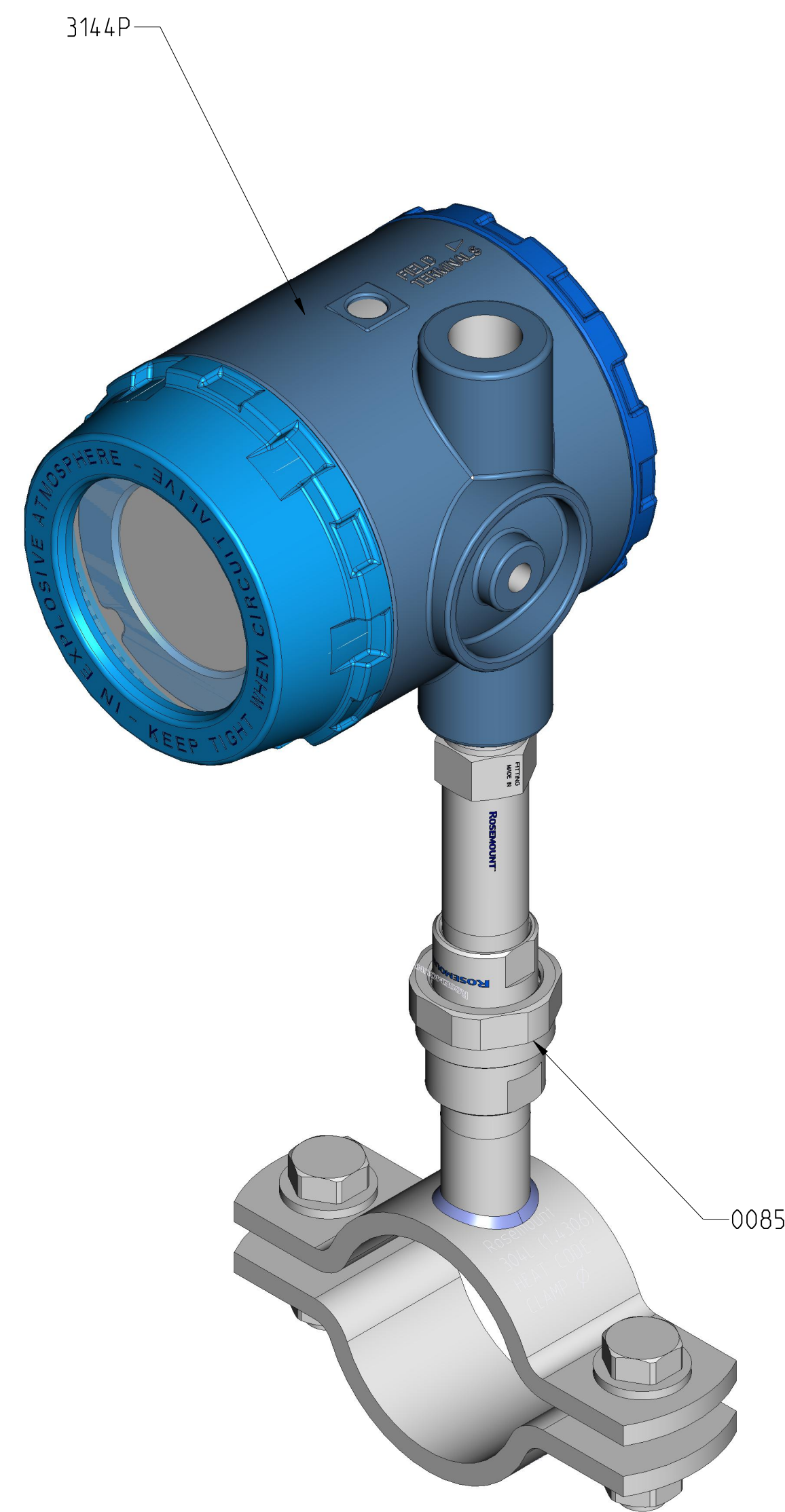
EMERSON

TITLE ROSEMOUNT 3144P TRANSMITTER
TYPE I DRAWING

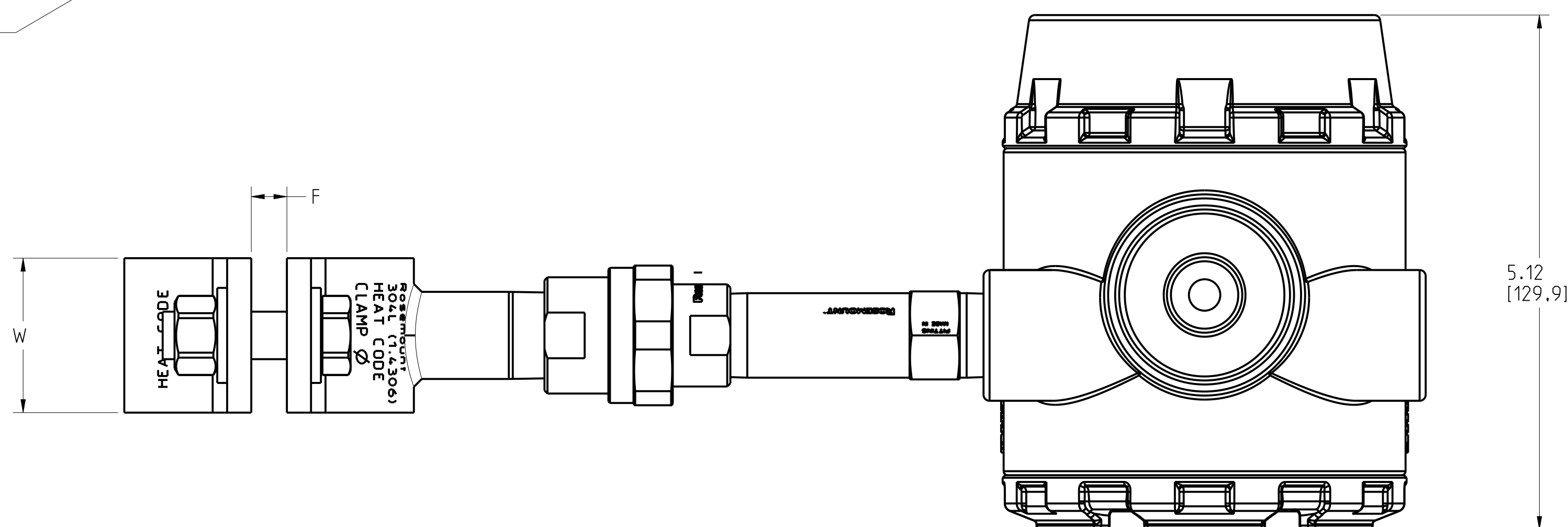
DR. JLA 4/3/13 DRAWING NO. 03144-0111
APP'D JR 4/3/13

CAD MAINTAINED. (PRO/E) SHEET 2 OF 4

ROSEMOUNT 3144P TEMPERATURE TRANSMITTER
 MOUNTING CONFIGURATIONS WITH OPTION CODE PT
 ASSEMBLED TO 0085 SENSOR WITH PIPE CLAMP STYLE (P, B, C, S)



CLAMP & FASTENER
 MATERIALS OF CONSTRUCTION 316SST,
 CARBON STEEL, 304SST, OR DUPLEX

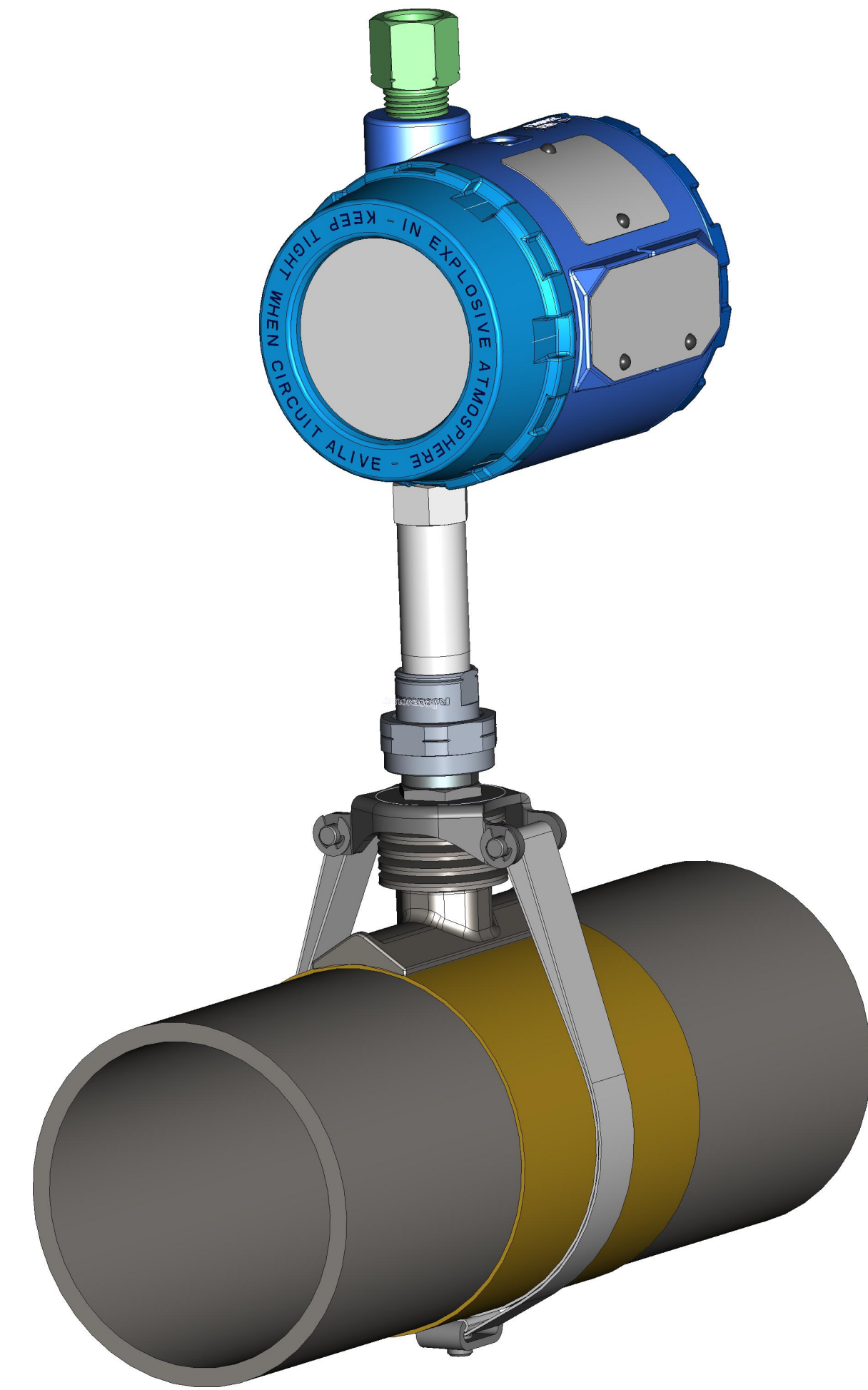
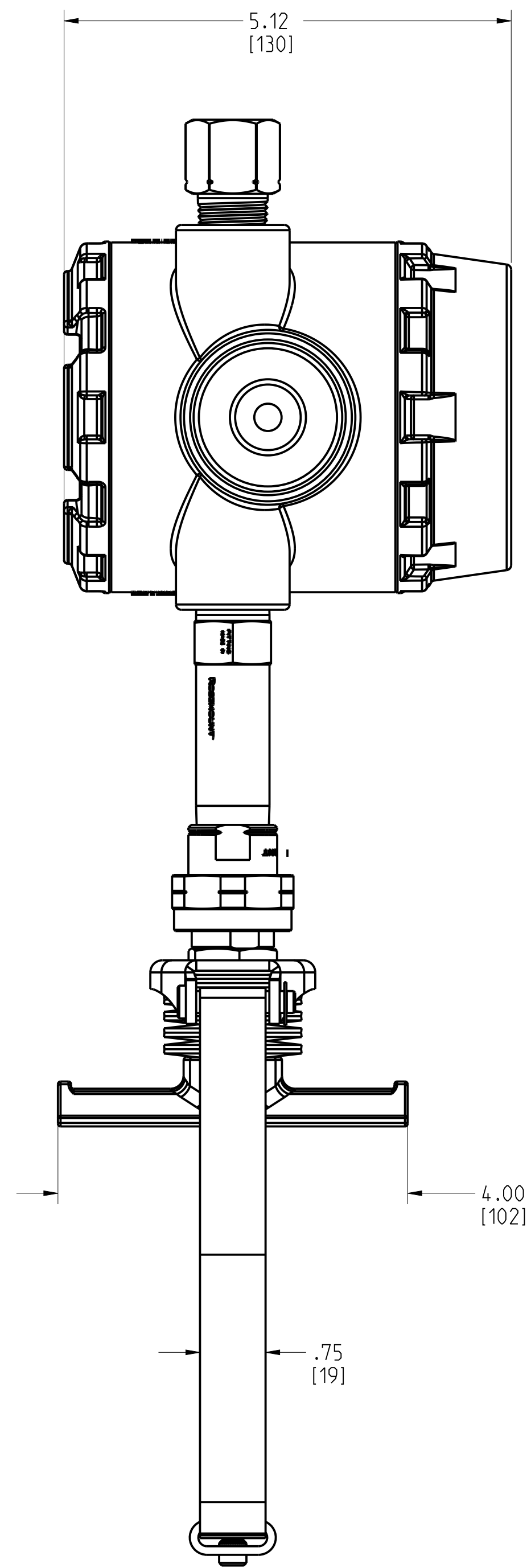
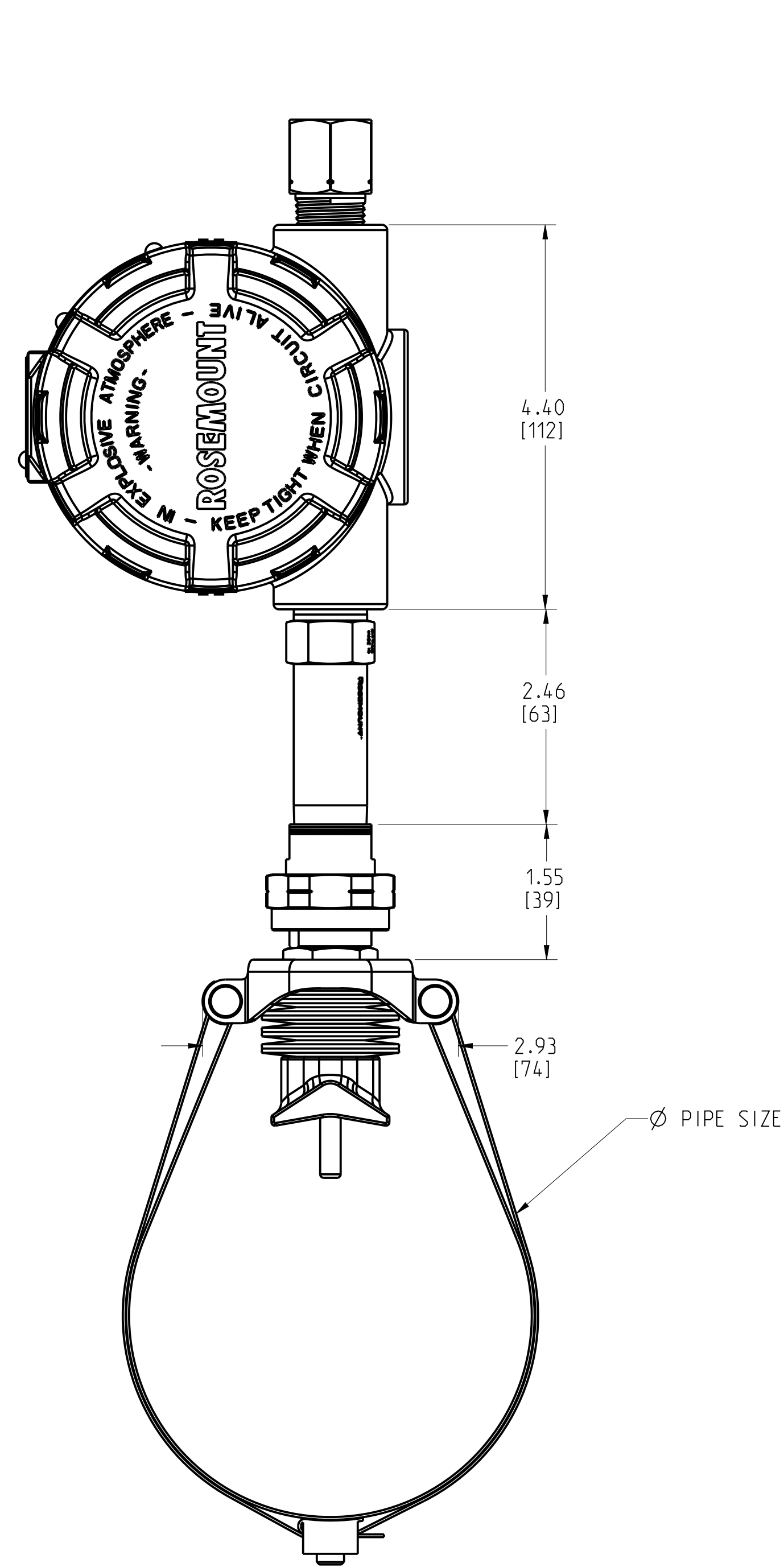


- PLEASE REFER TO DRAWING NUMBER 00085-7000 FOR MORE INFORMATION IN REGARDS TO DIMENSIONS D,L,T, F AND W ON THE 0085 SENSOR ASSEMBLY.
- 0085 SENSOR ASSEMBLY IS REQUIRED WITH OPTION CODE PT.

NOTES:

©2015 ROSEMOUNT, INC. ROSEMOUNT INC. ACCEPTS THIS DRAWING AS THE ACCURATE REPRESENTATION OF THE PRODUCT AS SHOWN IN THE DRAWING. ROSEMOUNT ENGINEERING SPECIFICATIONS. UNIT NOTES IN INCHES (mm). REFERENCE ROSEMOUNT PRODUCT SPECIFICATIONS FOR PRODUCT SPECIFICATIONS. CLICK HERE	3RD ANGLE 	SIZE D	SCALE NTS
	TITLE ROSEMOUNT 3144P TRANSMITTER TYPE I DRAWING		
	DR. JLA 4/3/13 APP'D JR 4/3/13	DRAWING NO. 03144-0111	
CAD MAINTAINED. (PRO/E)		SHEET 3 OF 4	

ROSEMOUNT 3144P TEMPERATURE TRANSMITTER
 UNIVERSAL MOUNTING CONFIGURATIONS WITH OPTION CODE (PT)
 ASSEMBLED TO 0085 SENSOR WITH PIPE CLAMP STYLE (U)



©2015 ROSEMOUNT, INC.
 ROSEMOUNT INCORPORATES
 THIS DOCUMENT INTO ITS
 PRODUCT SPECIFICATIONS.
 REFERENCE ROSEMOUNT
 PRODUCT SPECIFICATIONS FOR
 PRODUCT SPECIFICATIONS.
 UNIT NOTES IN INCHES (mm).

EMERSON
 ROSEMOUNT 3144P TRANSMITTER
 TYPE I DRAWING

DR. JLA 4/3/13 DRAWING NO. 03144-0111
 APP'D JR 4/3/13
 CAD MAINTAINED (PRO/EI) SHEET 4 OF 4

3RD ANGLE
 SIZE D SCALE NTS
 CLICK HERE