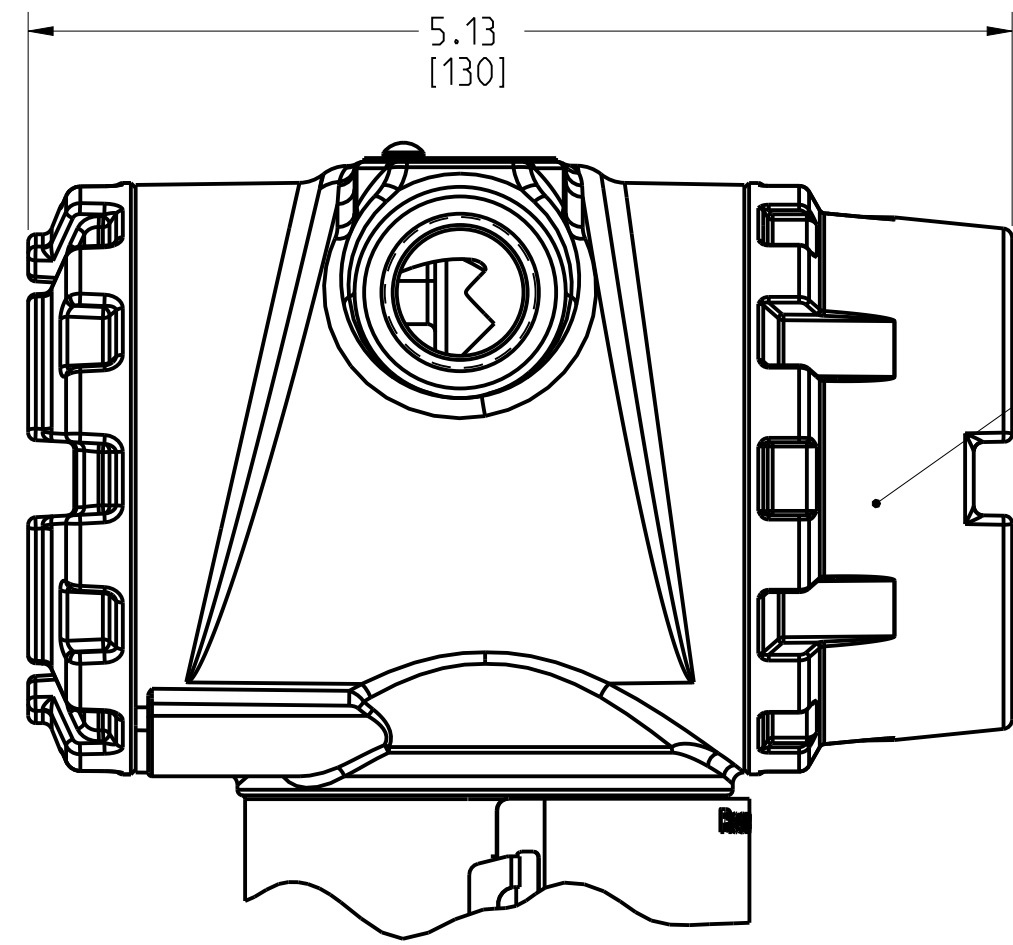


ROSEMOUNT 3051T IN-LINE PRESSURE TRANSMITTER

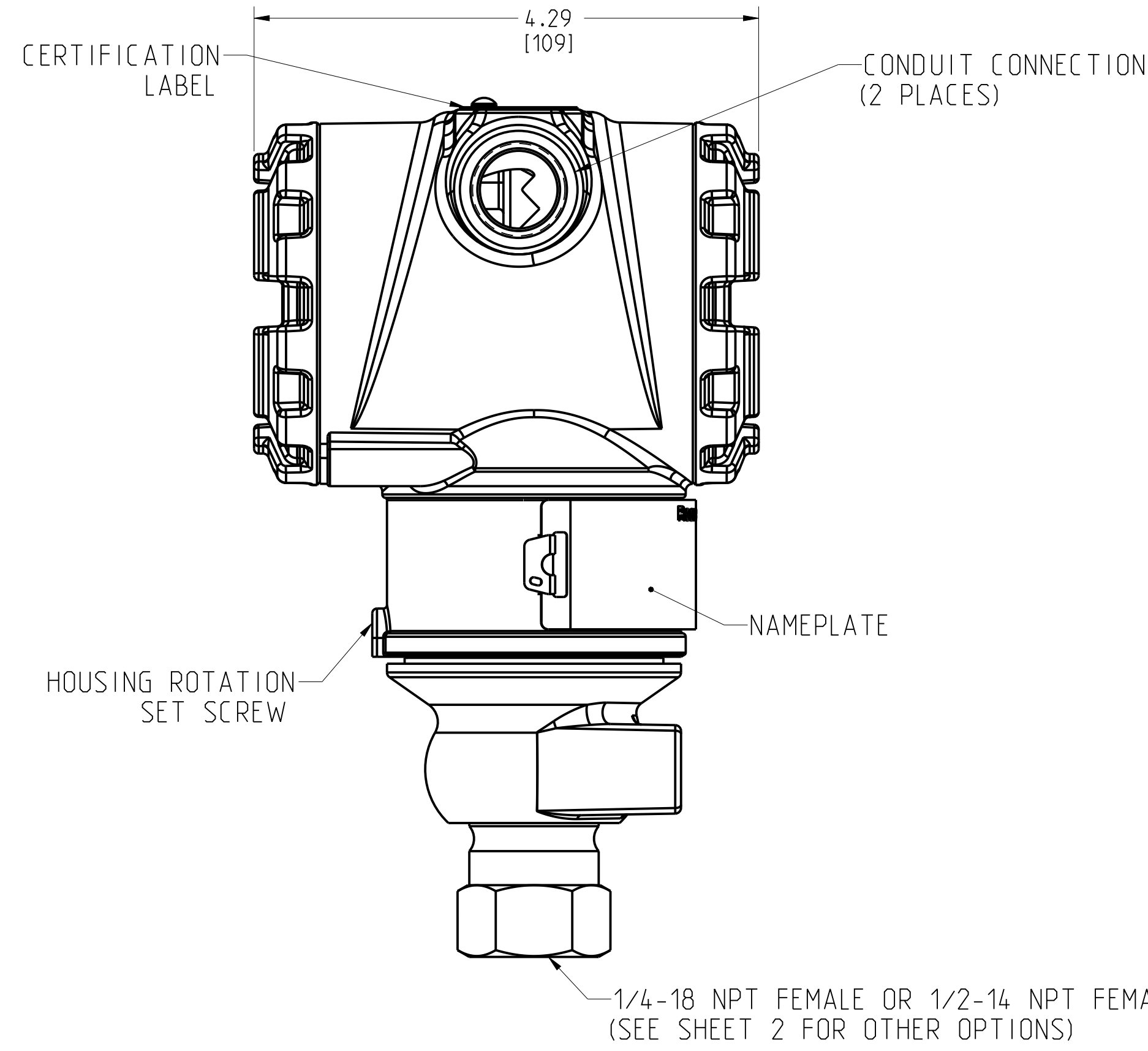
REVISION TABLE			
REVISION	ECO NO.	APP'D	DATE
AD	RTC107	V.OBERLE	4/20/21
DESCRIPTION			
ADD HS OPTION TO WIRELESS			

SHOWN WITH OPTIONAL DIGITAL DISPLAY



DIGITAL DISPLAY COVER

OUTPUT CODE (A), (F), (M), AND (W)
ALUMINUM/SST HOUSING



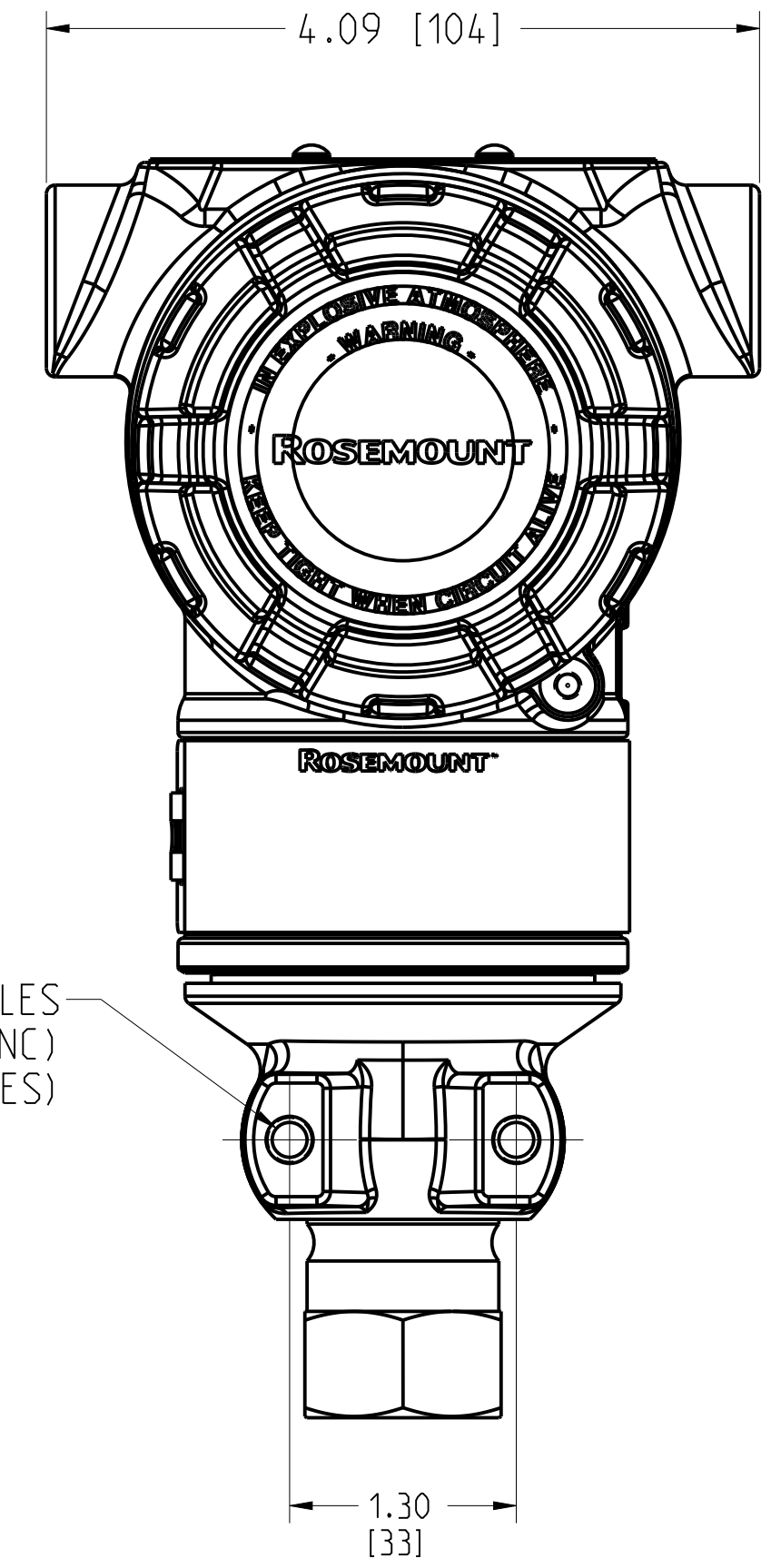
CERTIFICATION LABEL

CONDUIT CONNECTION (2 PLACES)

NAMEPLATE

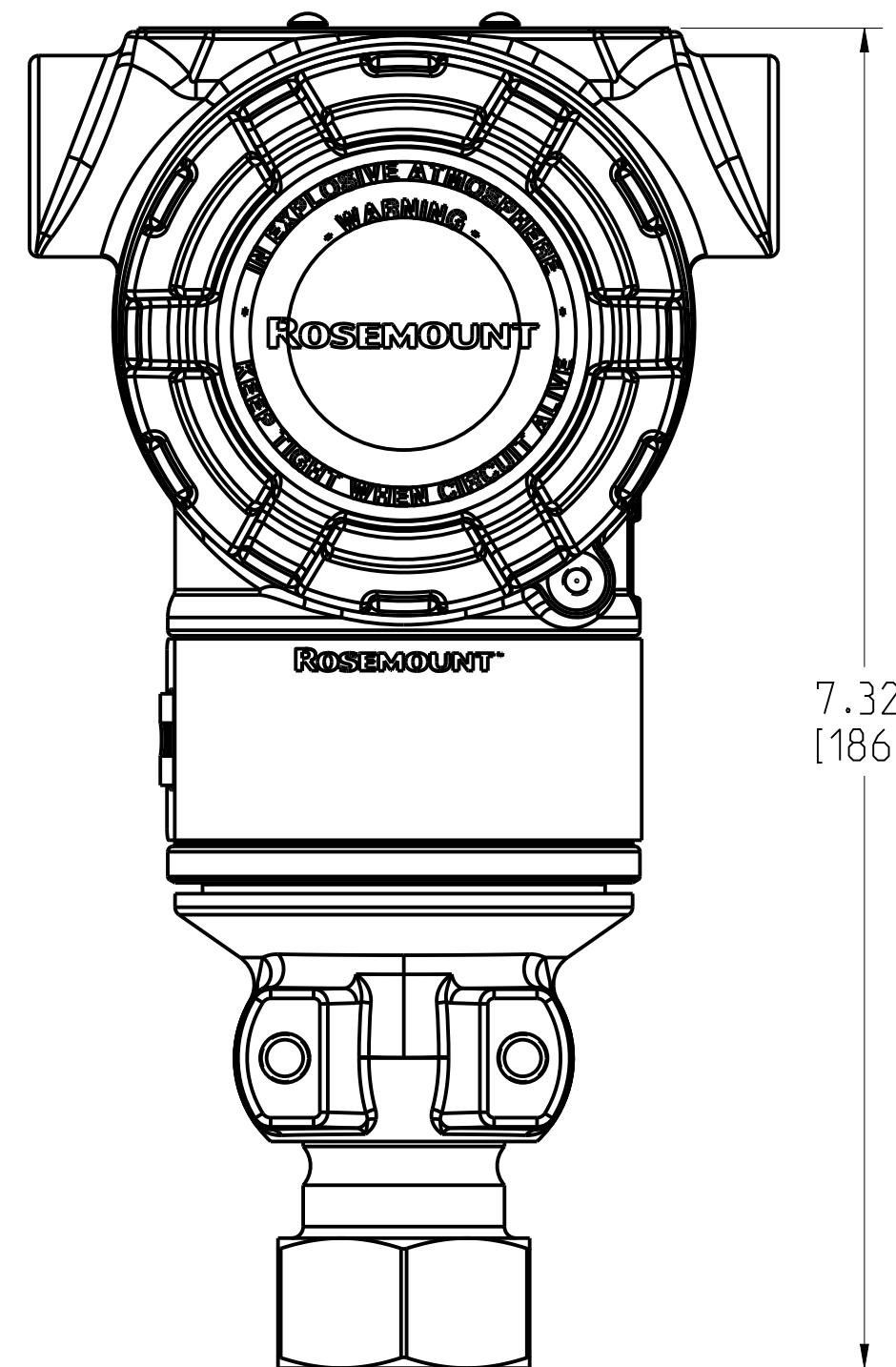
HOUSING ROTATION SET SCREW

1/4-18 NPT FEMALE OR 1/2-14 NPT FEMALE
(SEE SHEET 2 FOR OTHER OPTIONS)



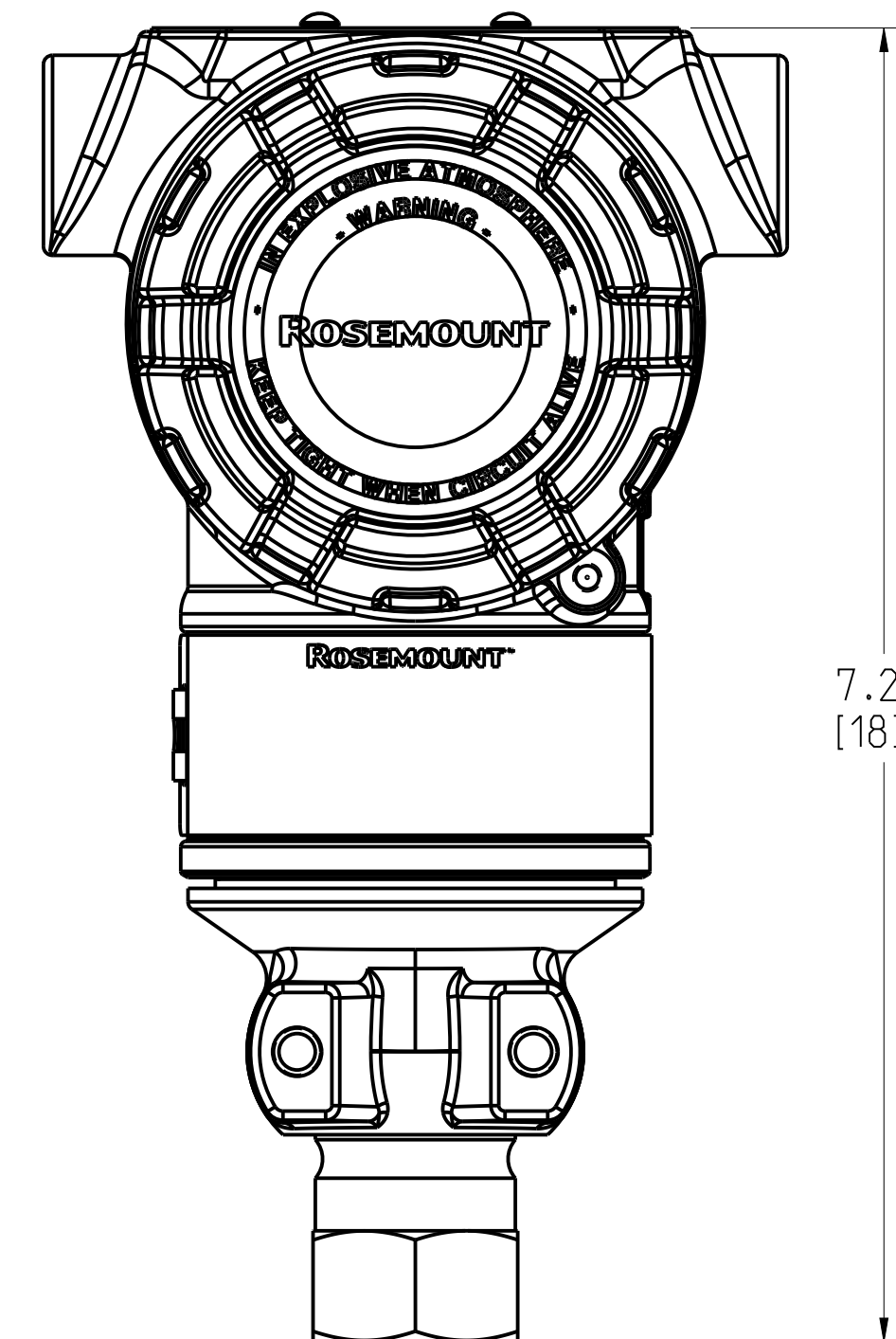
BRACKET MOUNTING HOLES
(1/4-20 UNC)
(2 PLACES)

PRESSURE RANGE OPTION 5

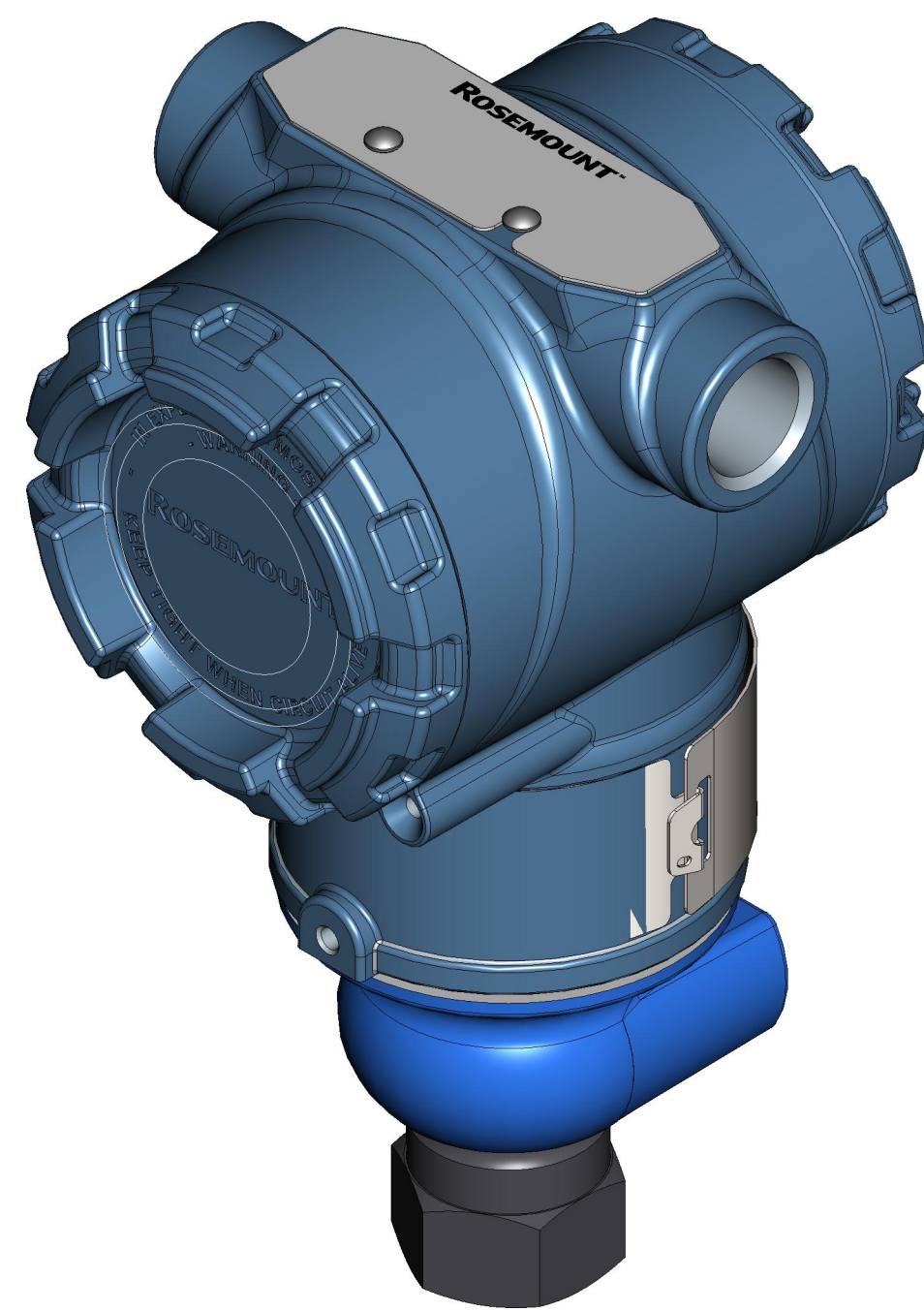


7.32
[186]

PRESSURE RANGE OPTION 0-4



7.22
[183]



©2015 ROSEMOUNT, INC.
ROSEMOUNT AND LOGO ARE TRADEMARKS OF ROSEMOUNT ENGINEERING SPECIFICATIONS.
UNIT NOTES IN INCHES (mm).

REFERENCE ROSEMOUNT FOR PRODUCT SPECIFICATIONS.
CLICK HERE

DR. JLA 7/23/14 DRAWING NO. 03031-2097

APP'D TOM WALLACE 7/23/14

CAD MAINTAINED (PRO/E)

3RD ANGLE

EMERSON

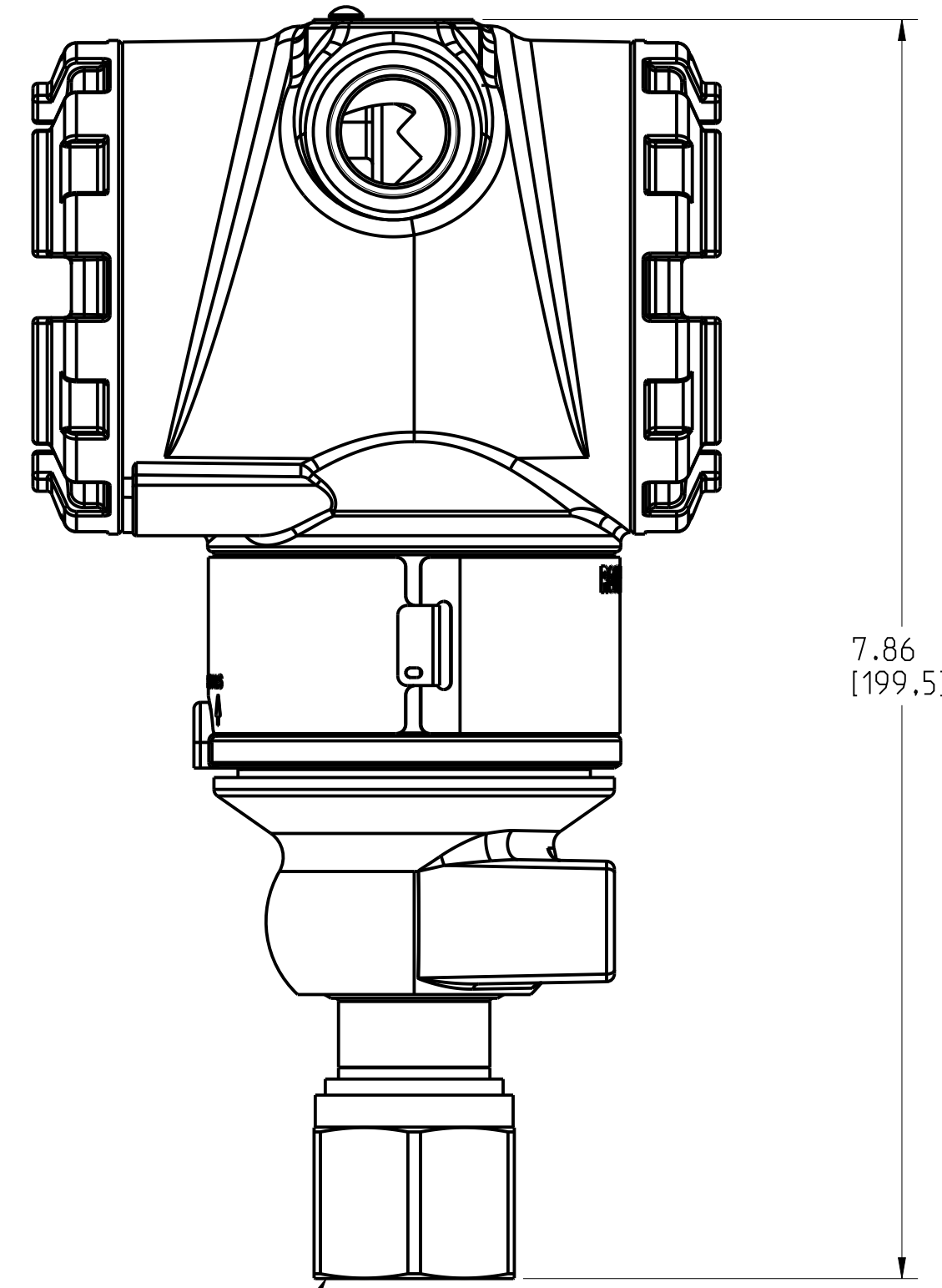
TITLE ROSEMOUNT 3051T IN-LINE
TYPE I DRAWING

SIZE D SCALE NTS

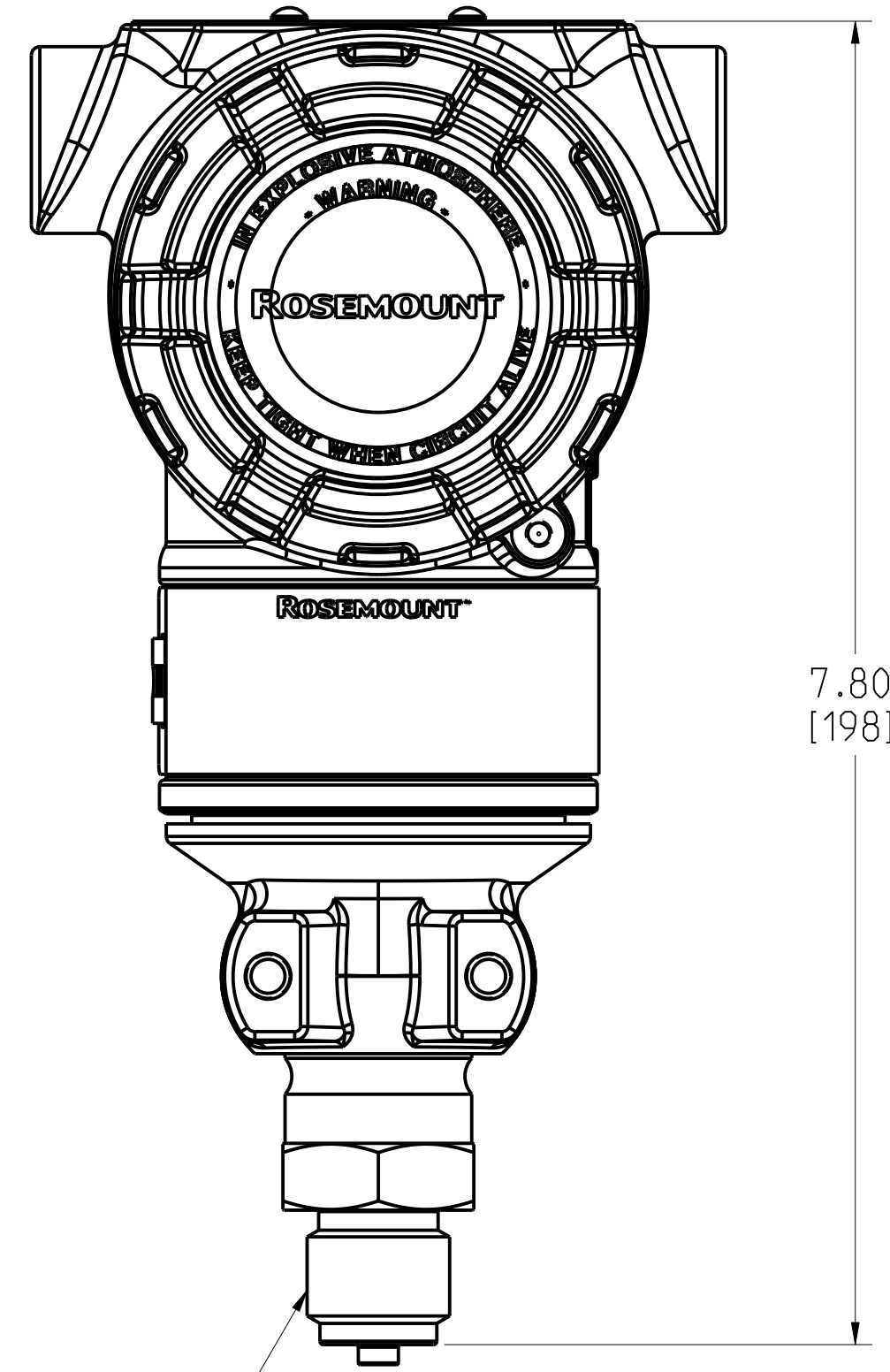
SHEET 1 OF 6

ROSEMOUNT 3051T IN-LINE PRESSURE TRANSMITTER

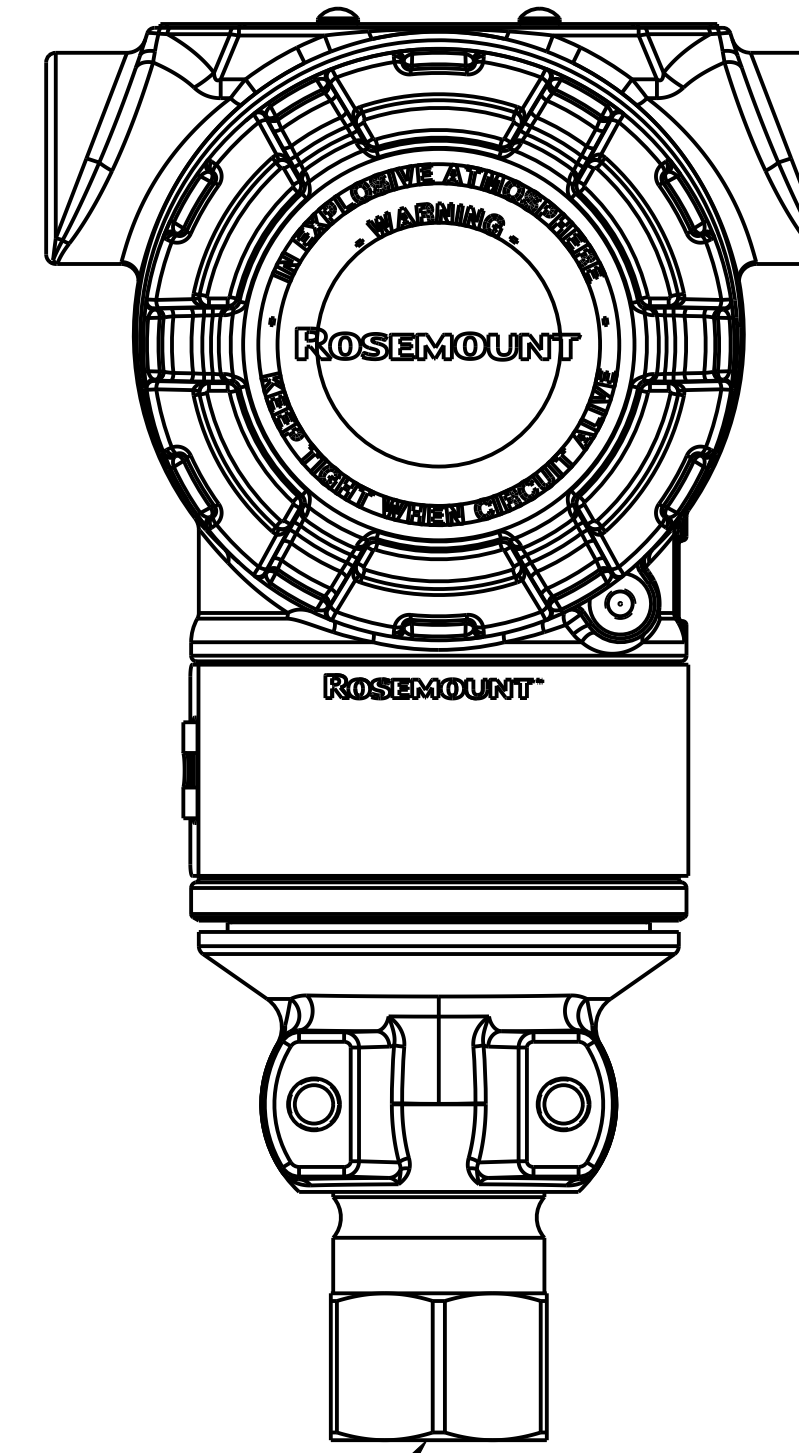
PRESSURE RANGE OPTION 6



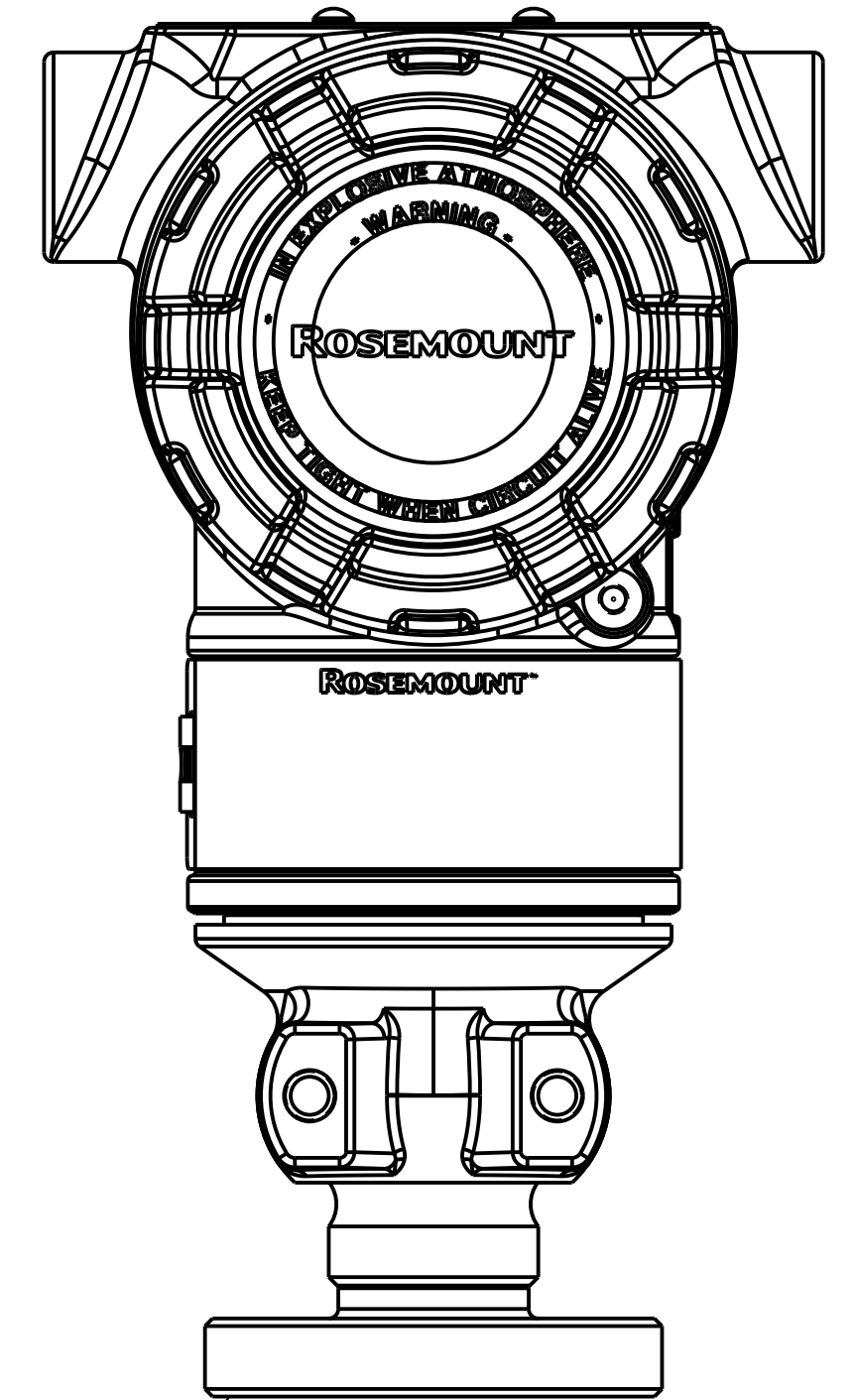
G 1/2 A DIN 16288 MALE
PROCESS CONNECTION



AUTOCLAVE TYPE F-250-C
PROCESS CONNECTION



NON-THREADED INSTRUMENT FLANGE
PROCESS CONNECTION

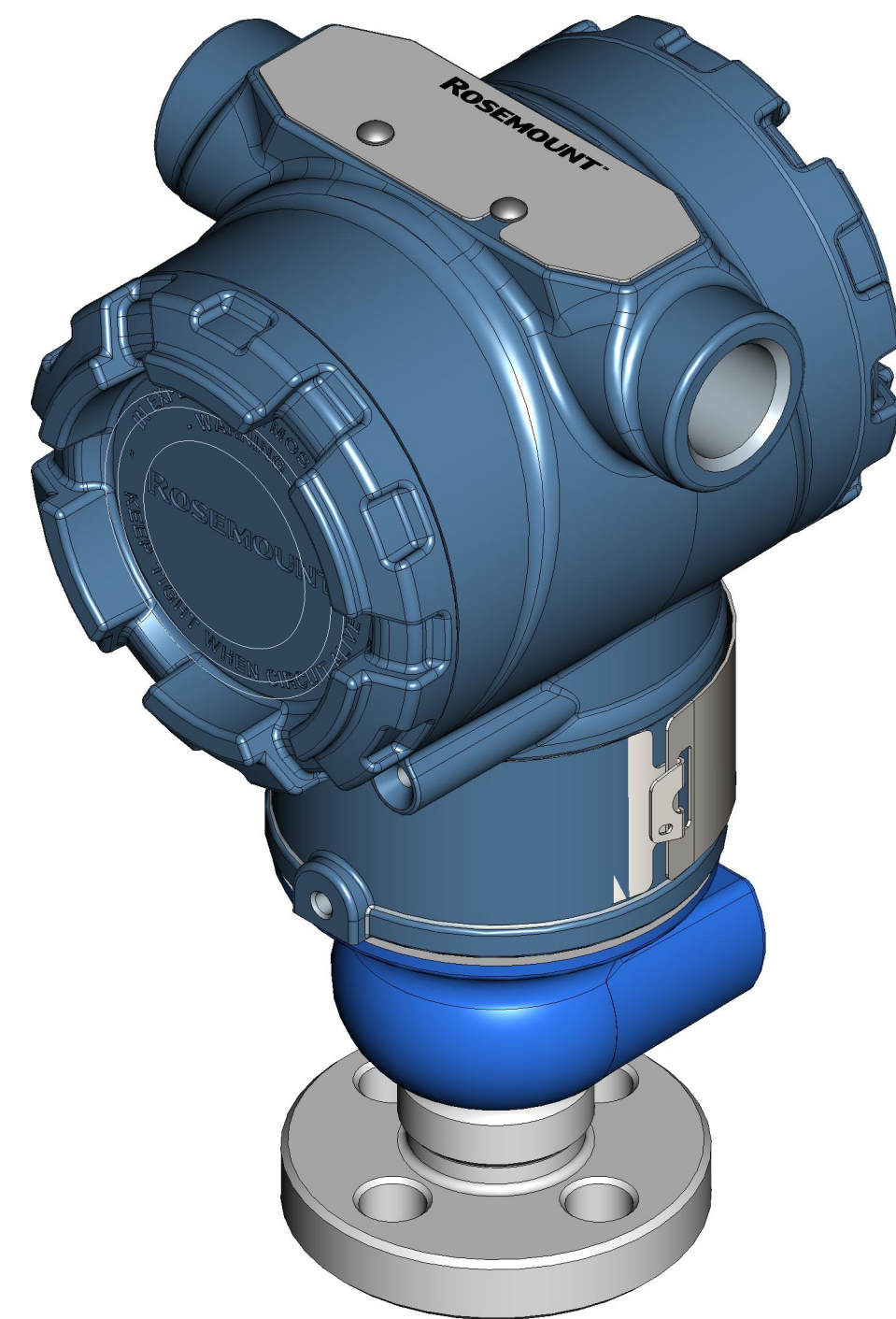


AUTOCLAVE TYPE F-250-C

G 1/2 A DIN 16288 MALE

AUTOCLAVE TYPE F-250-C
(RANGE 5 ONLY)

NON-THREADED INSTRUMENT FLANGE

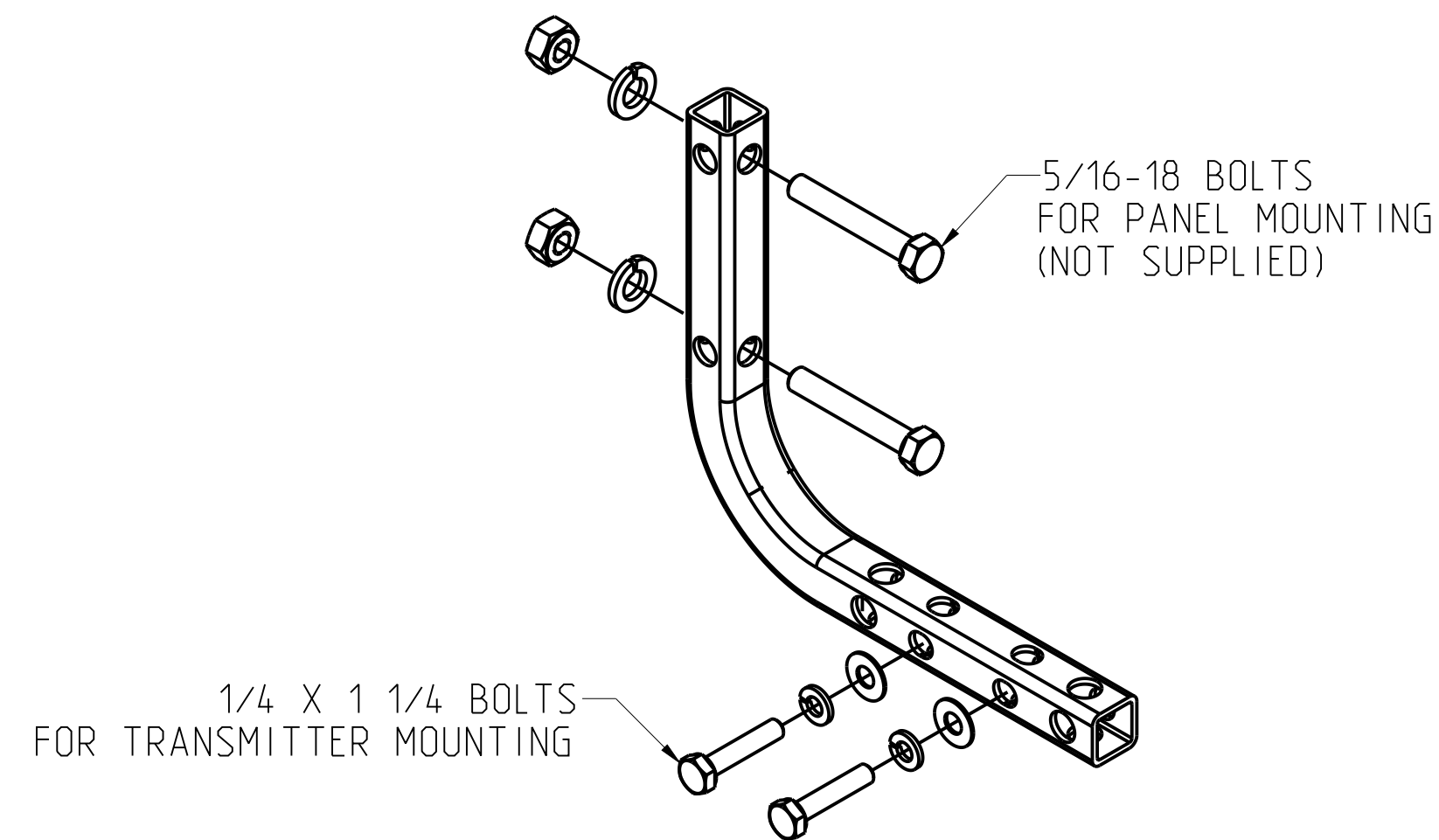
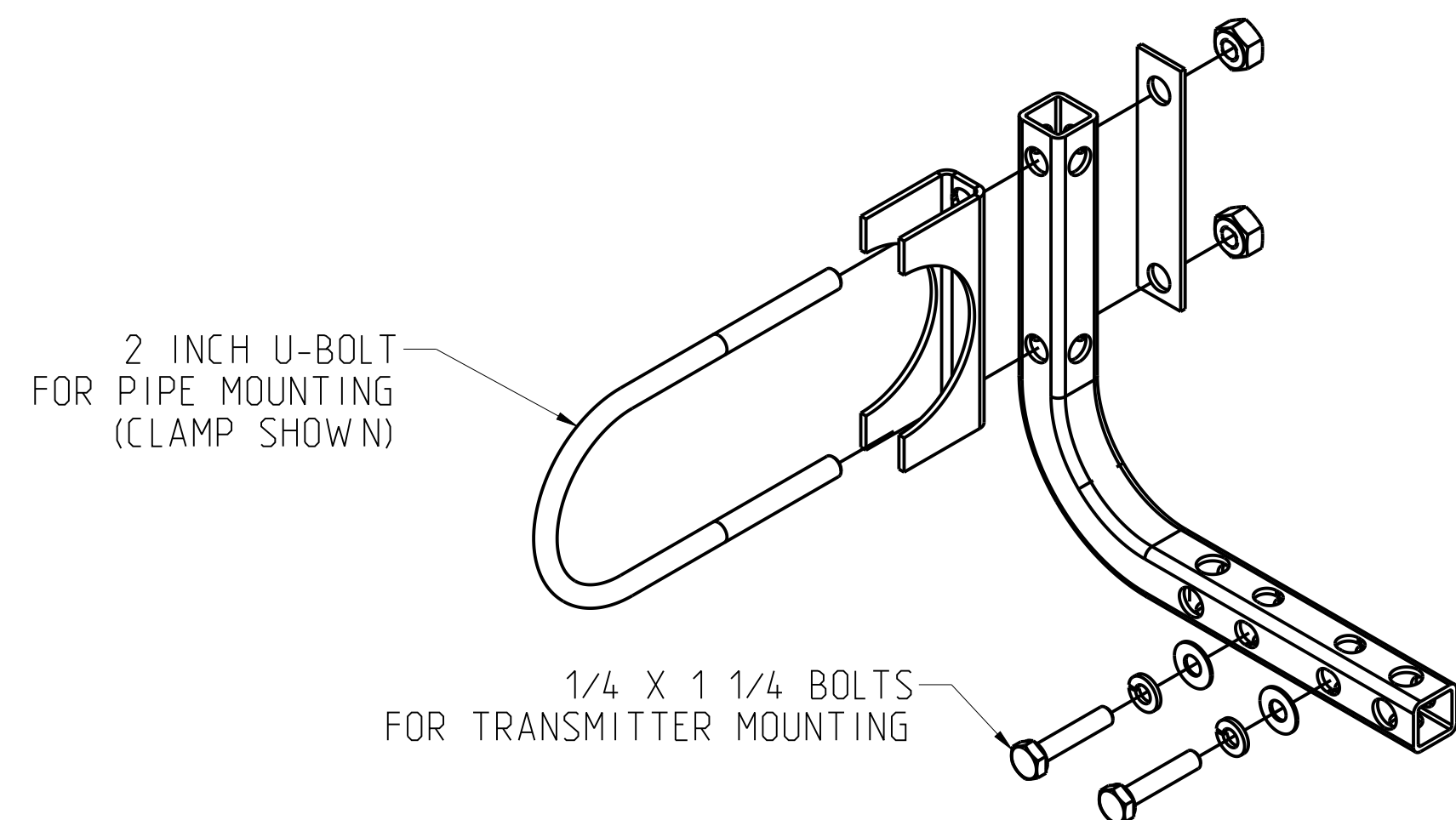
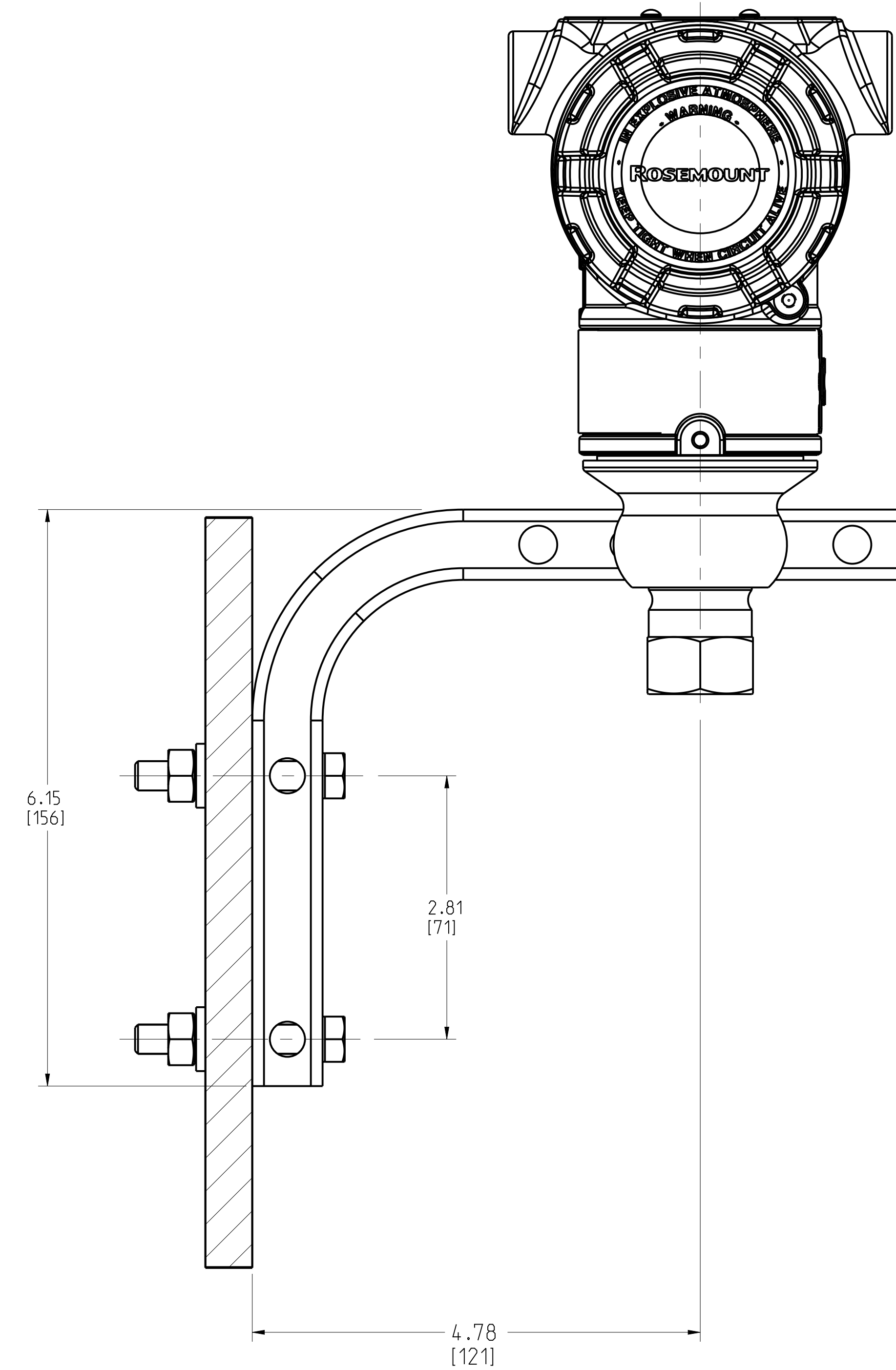
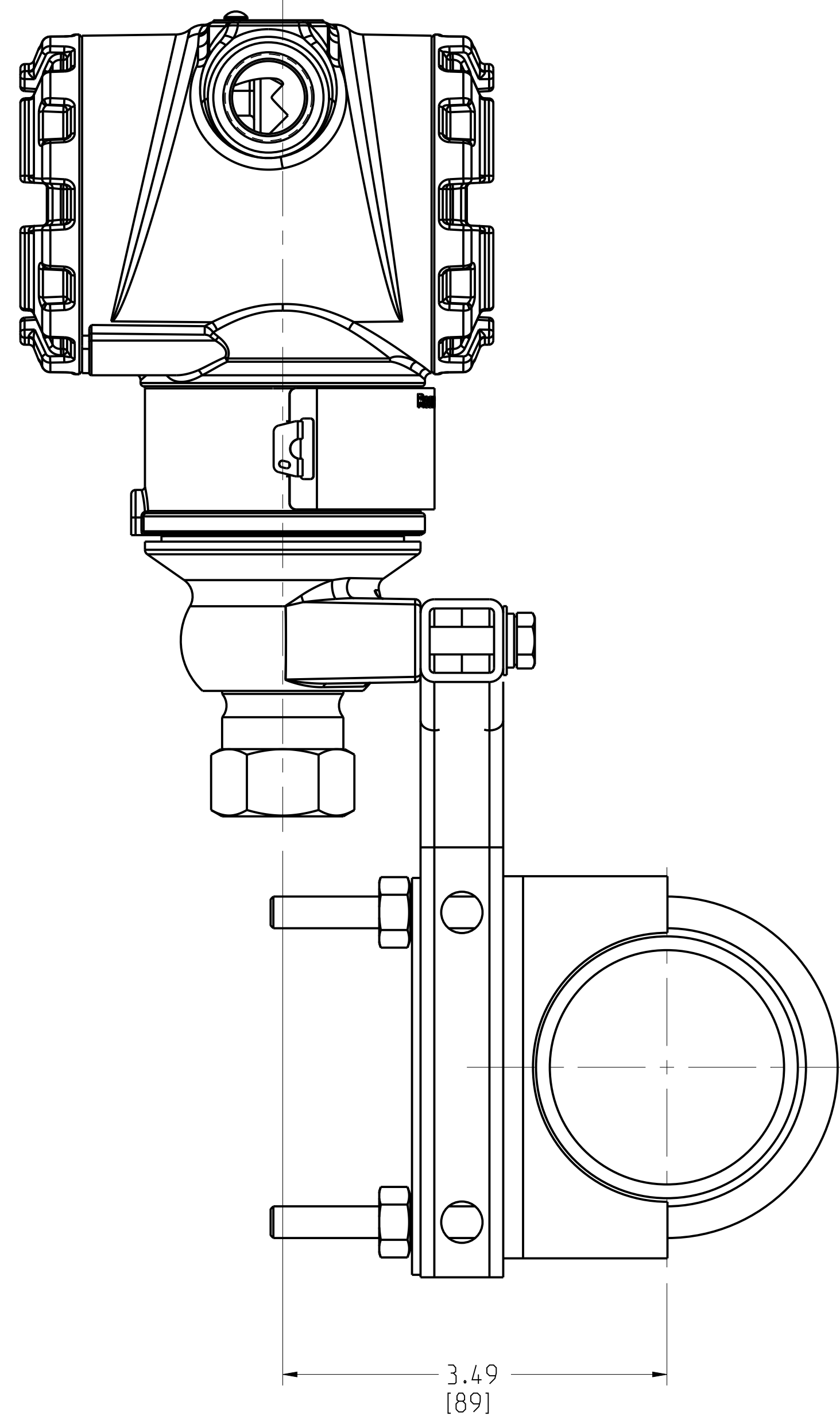
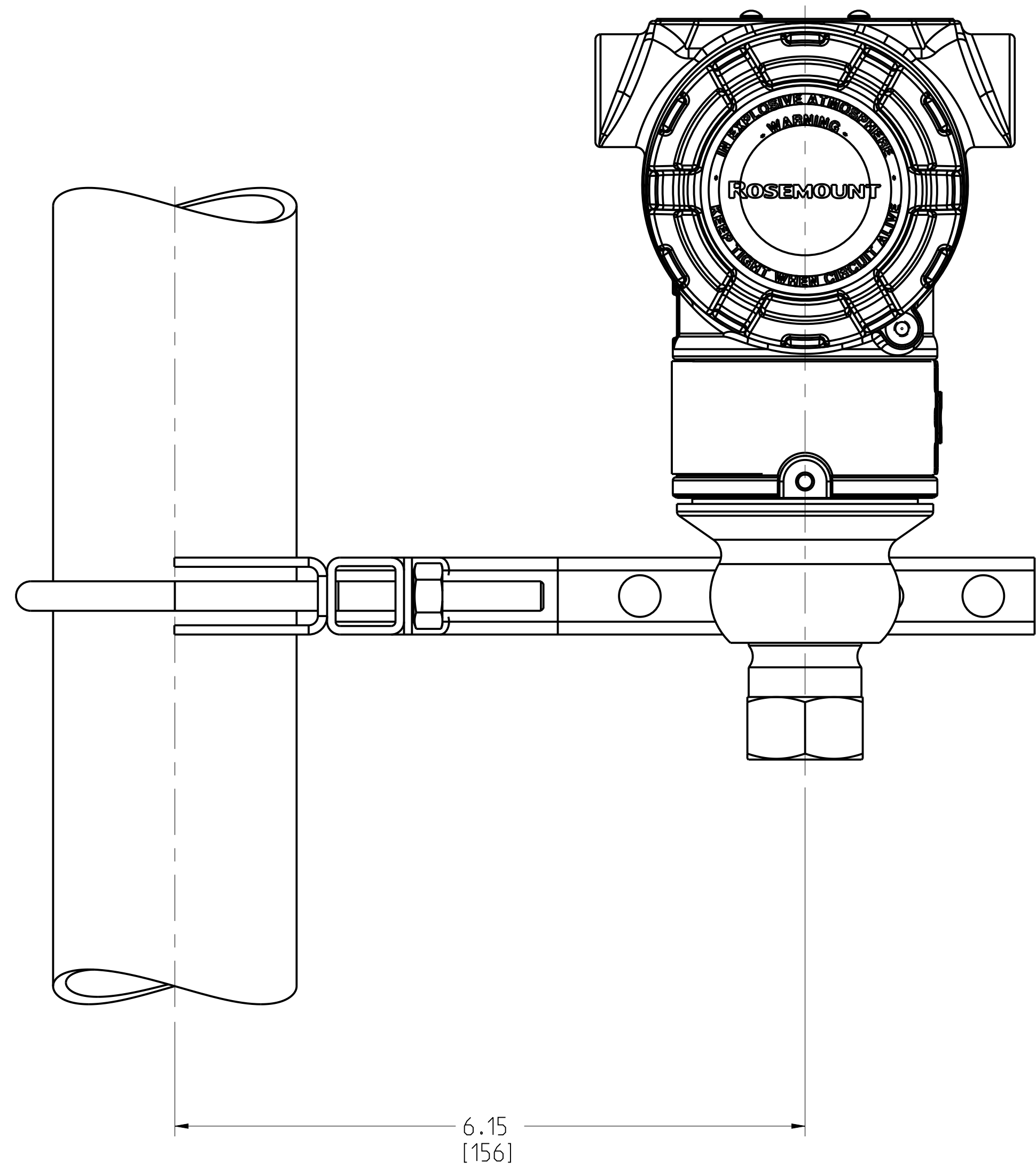


<p>©2015 ROSEMOUNT, INC. ROSEMOUNT AND ALL RIGHTS RESERVED. THIS DRAWING IS THE PROPERTY OF ROSEMOUNT AND IS TO BE USED ONLY IN CONFORMANCE WITH THE ROSEMOUNT ENGINEERING SPECIFICATIONS. UNIT NOTES IN INCHES (mm).</p> <p>REFERENCE ROSEMOUNT PRODUCT SPECIFICATIONS. CLICK HERE</p>	<p>3RD ANGLE</p>	<p>SIZE D</p>	<p>SCALE NTS</p>
	<p>EMERSON</p>		
	<p>TITLE ROSEMOUNT 3051T IN-LINE TYPE I DRAWING</p>		
	<p>DR. JLA 7/23/14</p>	<p>APP'D TOM WALLACE 7/23/14</p>	<p>DRAWING NO. 03031-2097</p>

ROSEMOUNT 3051T IN-LINE PRESSURE TRANSMITTER
MOUNTING CONFIGURATIONS WITH OPTIONAL MOUNTING BRACKET

PIPE MOUNTING

PANEL MOUNTING



©2015 ROSEMOUNT, INC.
ROSEMOUNT, INC. DISCLAIMS
THESE DRAWINGS AS IS
IN ACCORDANCE WITH
ROSEMOUNT ENGINEERING
SPECIFICATIONS.
UNIT NOTES IN INCHES (mm).

REFERENCE ROSEMOUNT
PRODUCT SPECIFICATIONS.
CLICK HERE

DR. JLA 7/23/14 DRAWING NO. 03031-2097

APP'D/TOM WALLACE 7/23/14

CAD MAINTAINED (PRO/E)

3RD ANGLE

SIZE D

SCALE NTS

EMERSON

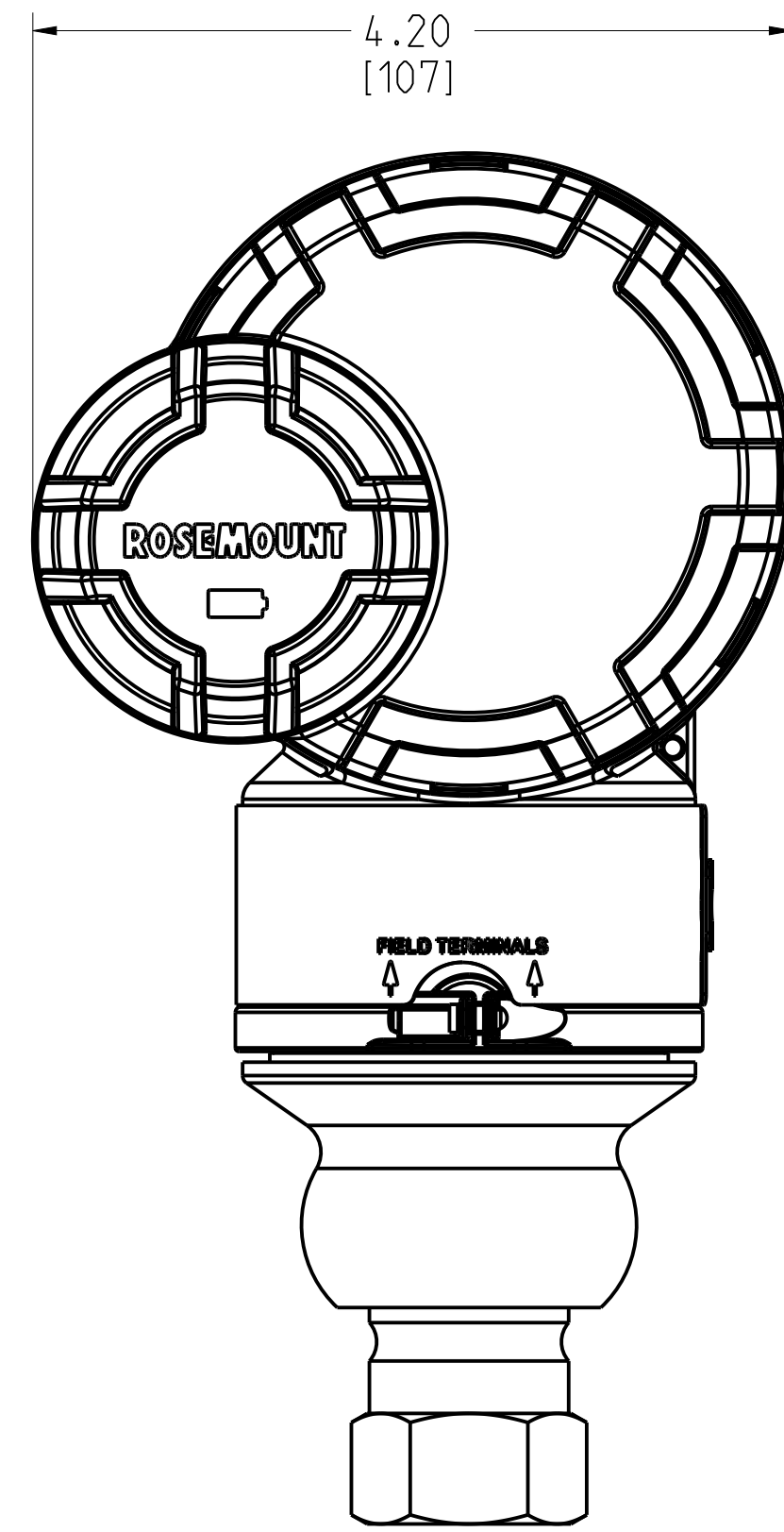
TITLE ROSEMOUNT 3051T IN-LINE
TYPE I DRAWING

SHEET 3 OF 6

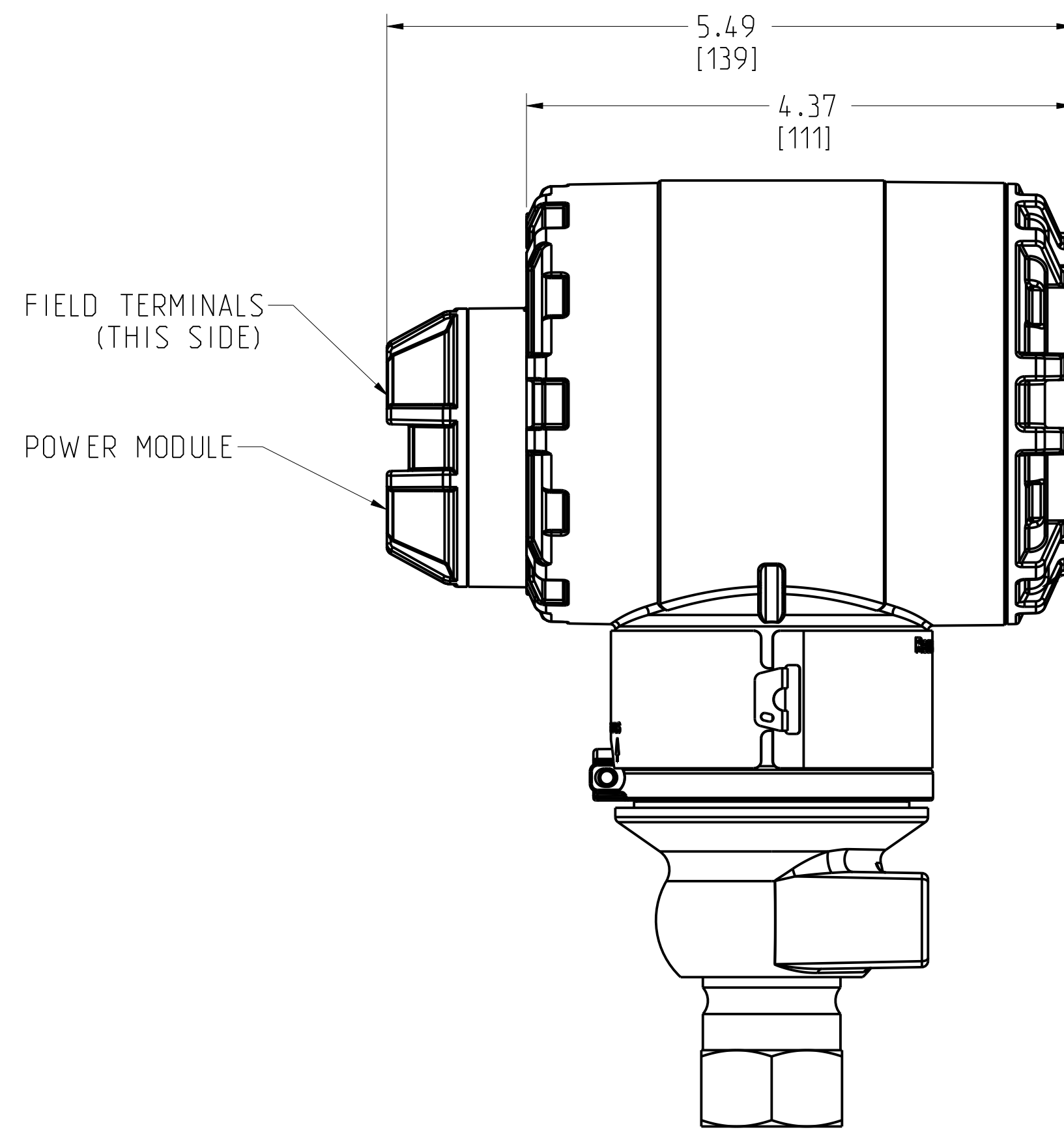
ROSEMOUNT 3051T WIRELESS IN-LINE PRESSURE TRANSMITTER

OUTPUT CODE X
POLYMER HOUSING

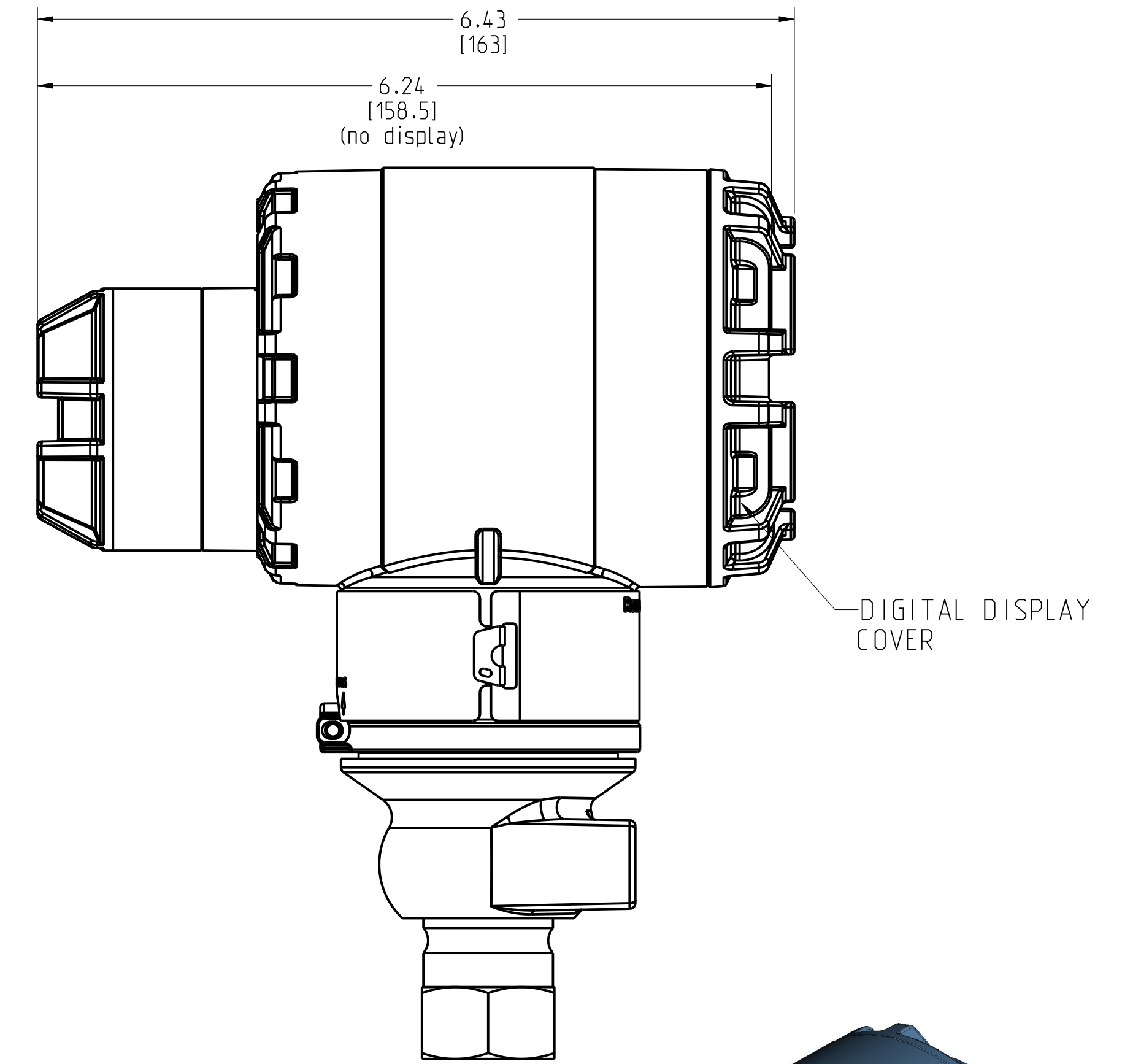
SHOWN WITH HS OPTION



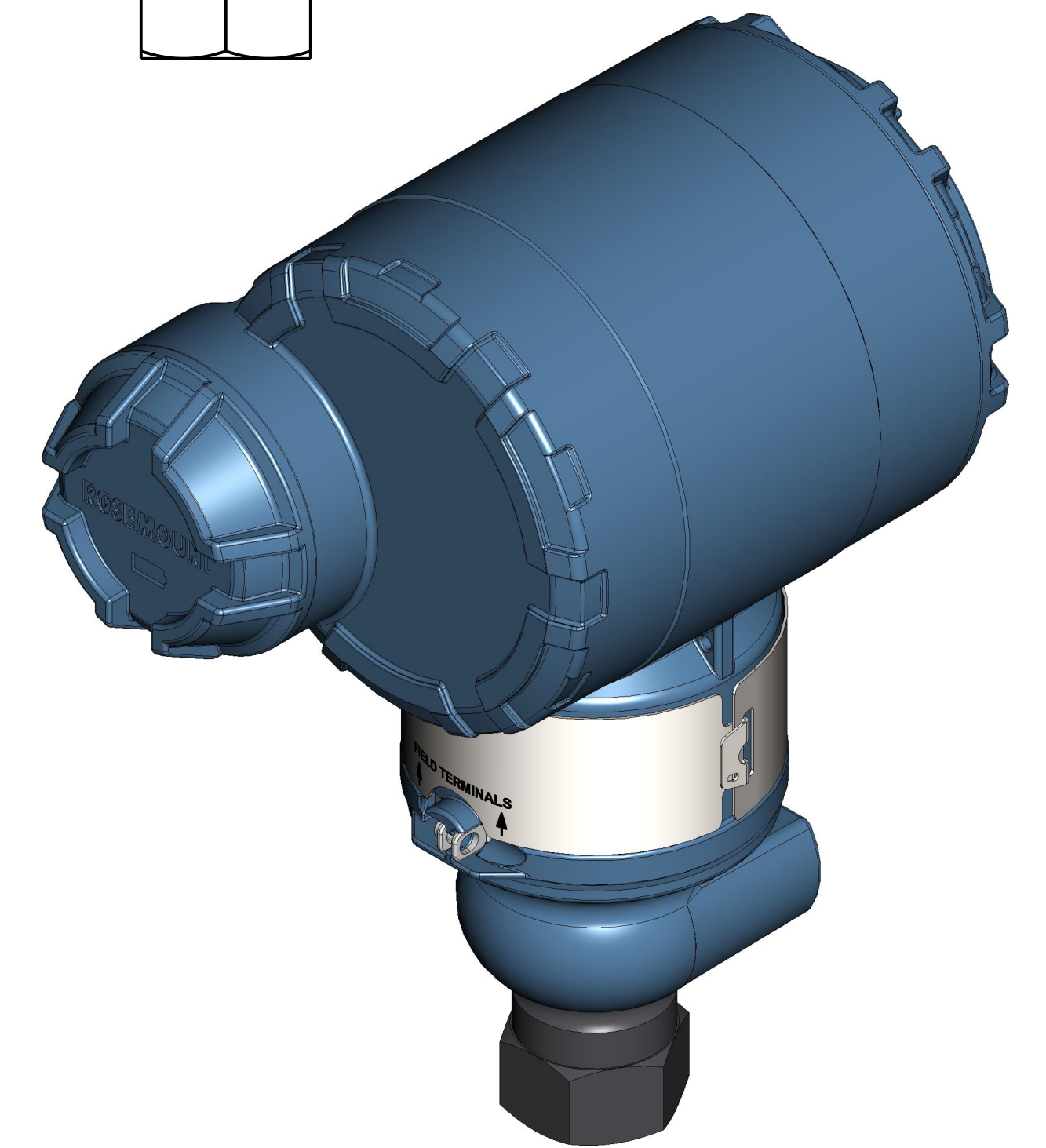
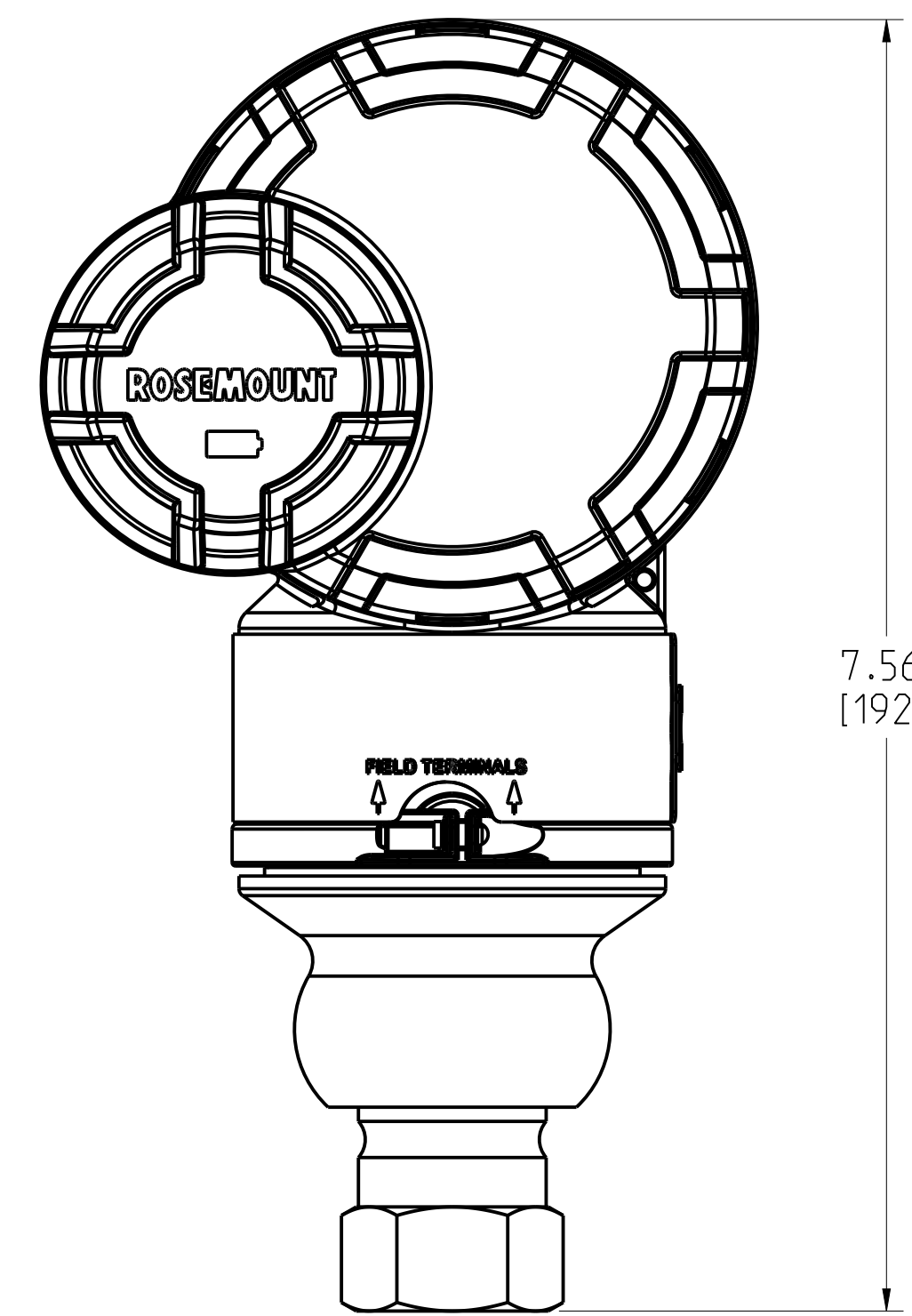
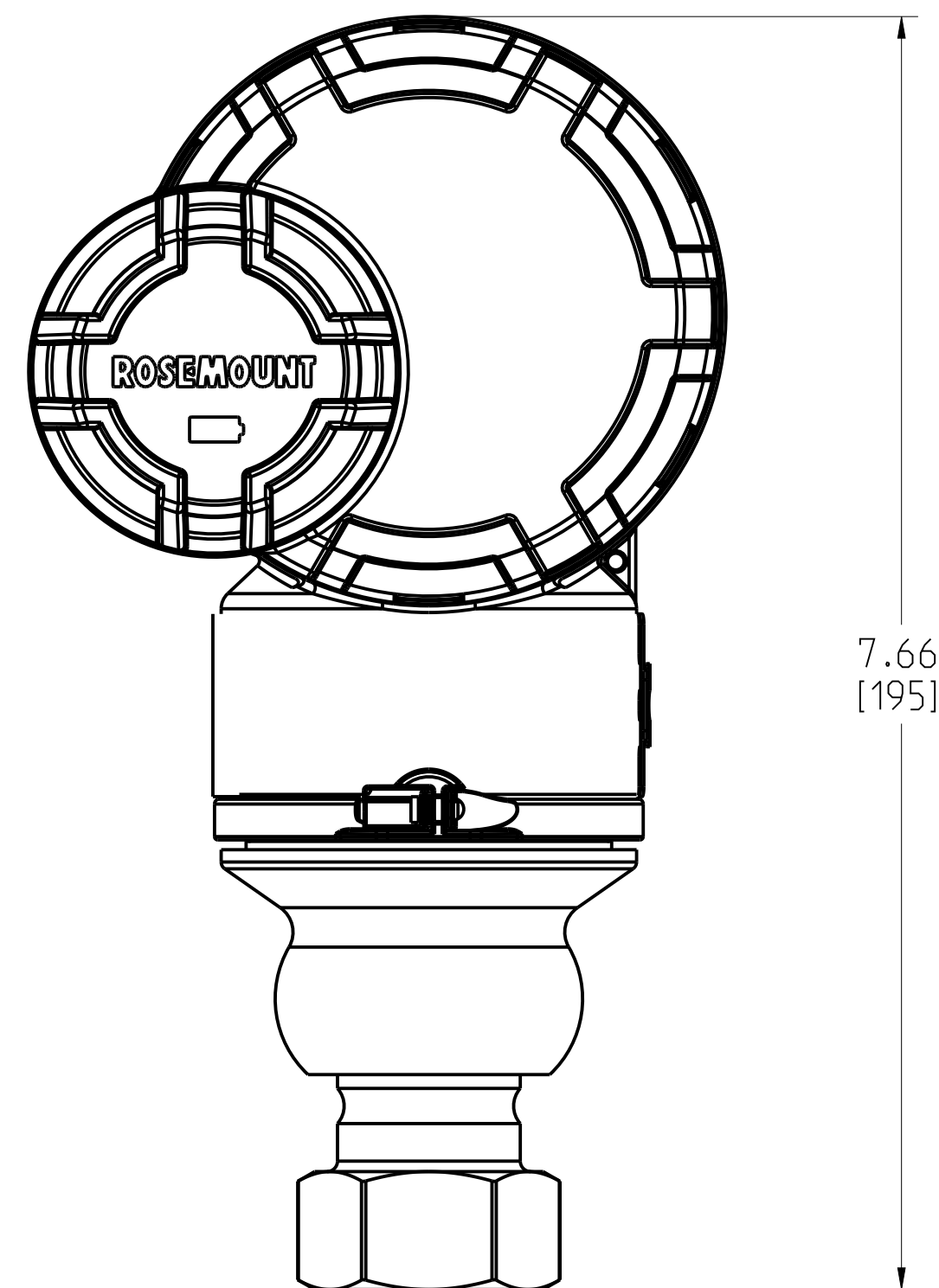
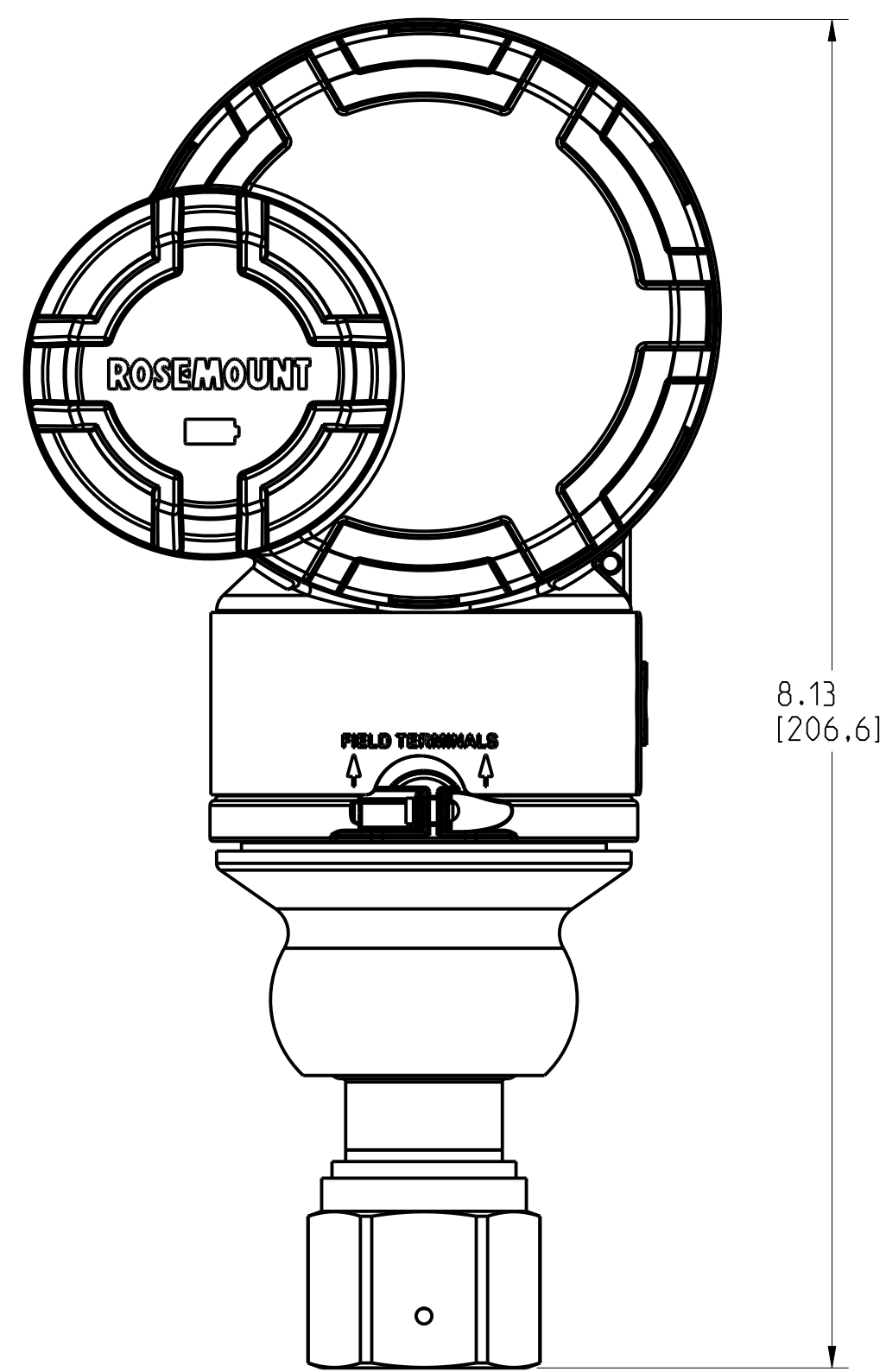
PRESSURE RANGE OPTION 6



PRESSURE RANGE OPTION 5

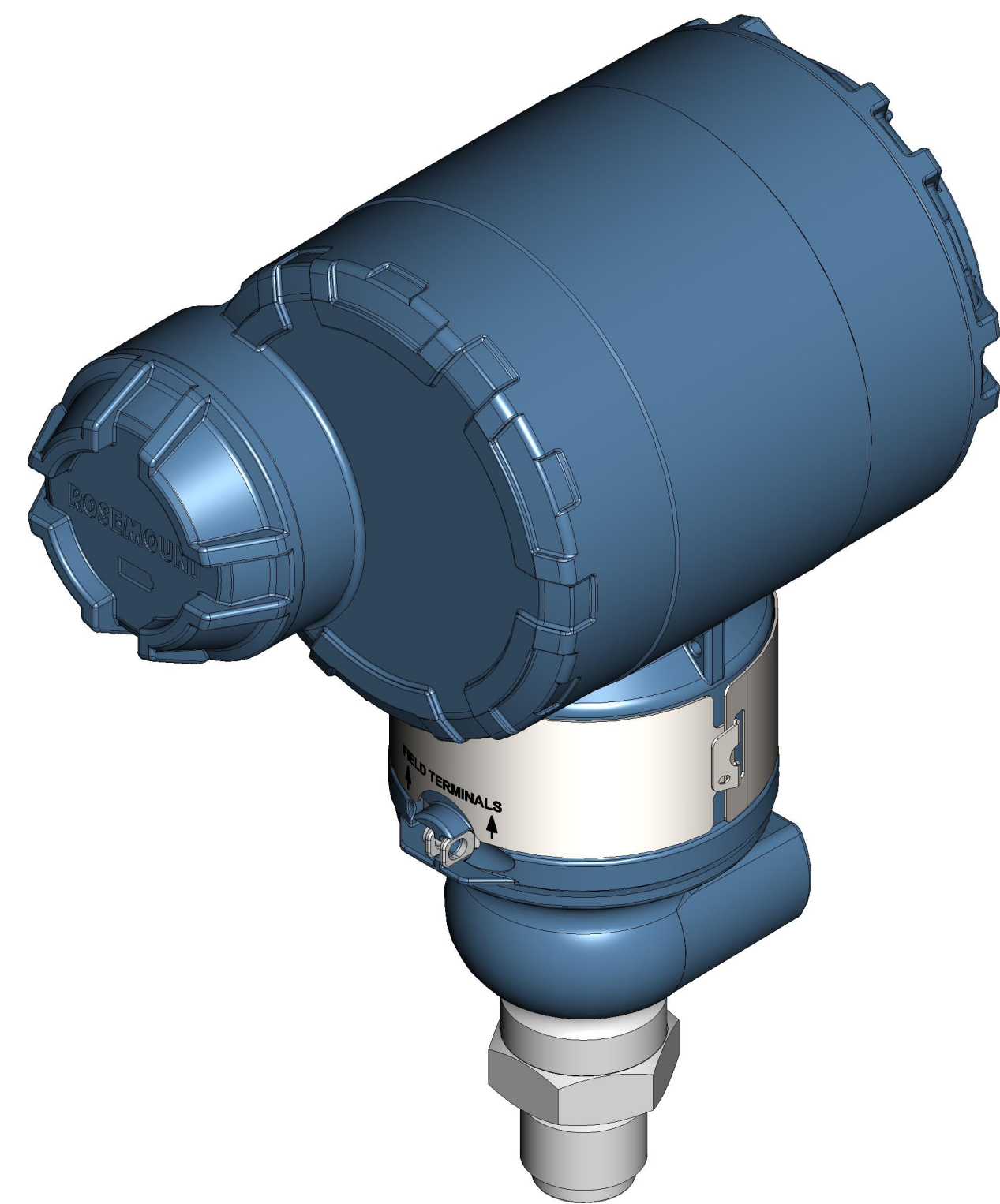


PRESSURE RANGE OPTION 1-4

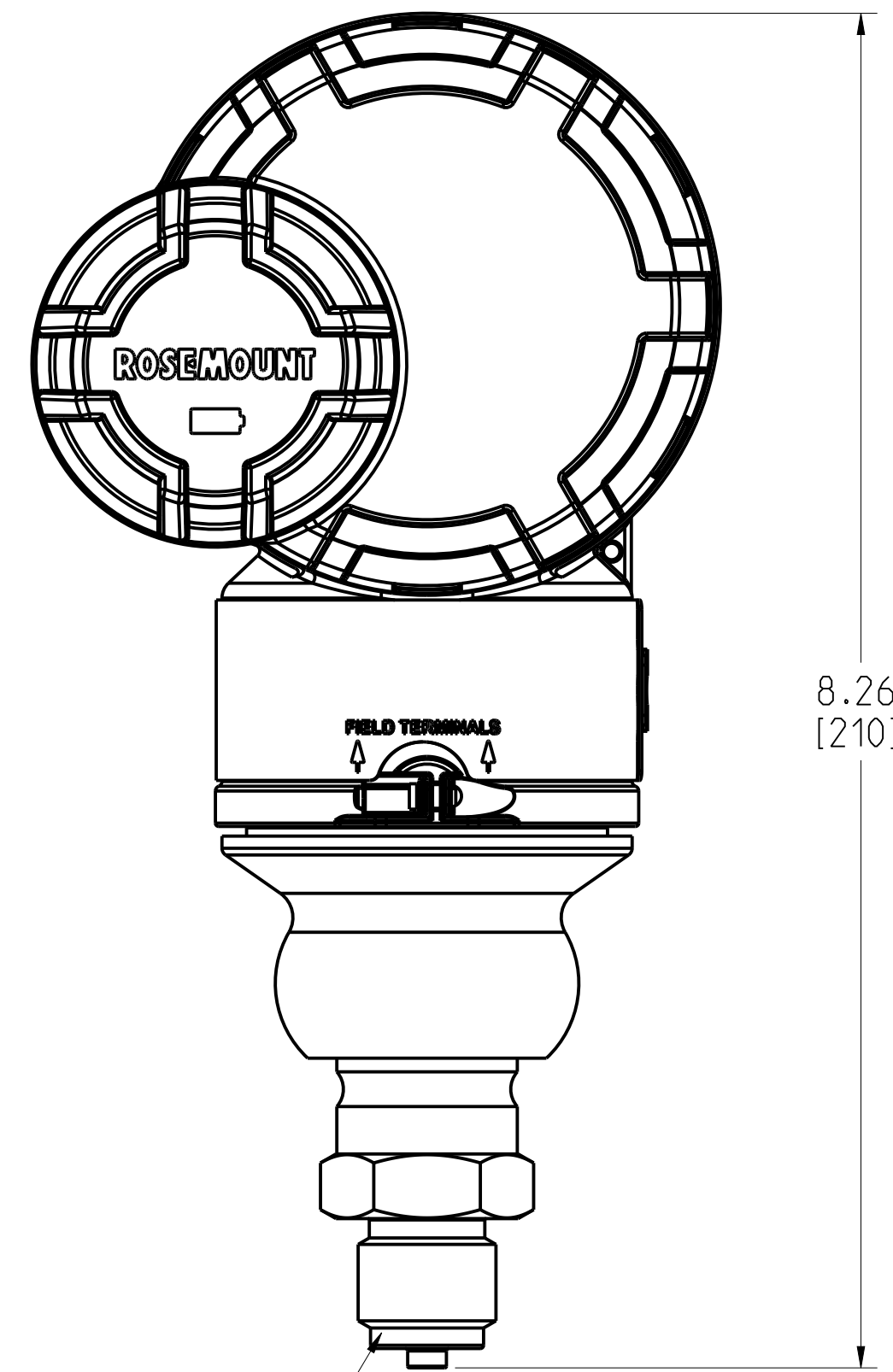


<small>©2015 ROSEMOUNT, INC. ROSEMOUNT AND CLEARVIEW IN THIS DRAWING ARE TRADEMARKS OF ROSEMOUNT ENGINEERING SPECIFICATIONS. UNIT NOTES IN INCHES (mm). REFERENCE ROSEMOUNT PRODUCT SPECIFICATIONS. CLICK HERE</small>	<small>3RD ANGLE</small> 	<small>SIZE</small> 	<small>SCALE</small>
	TITLE ROSEMOUNT 3051T IN-LINE TYPE I DRAWING		
	<small>DR.</small> JLA 7/23/14	<small>DRAWING NO.</small>	03031-2097
<small>APP'D</small> TOM WALLACE 7/23/14	<small>CAD MAINTAINED (PRO/E)</small>		
<small>SHEET 4 OF 6</small>			

ROSEMOUNT 3051T WIRELESS IN-LINE PRESSURE TRANSMITTER



G 1/2 A DIN 16288 MALE
PROCESS CONNECTION

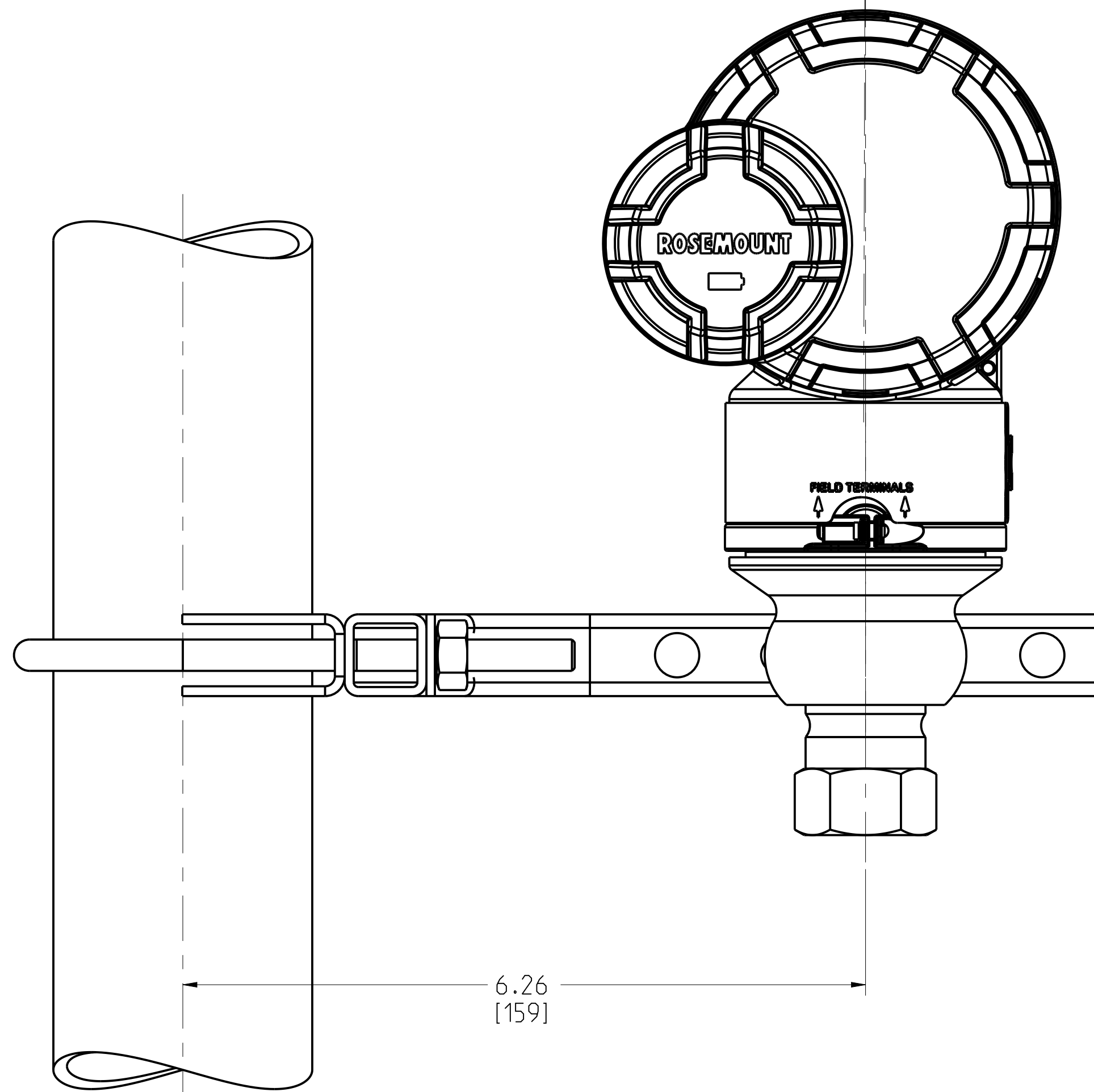


G 1/2 A DIN 16288 MALE

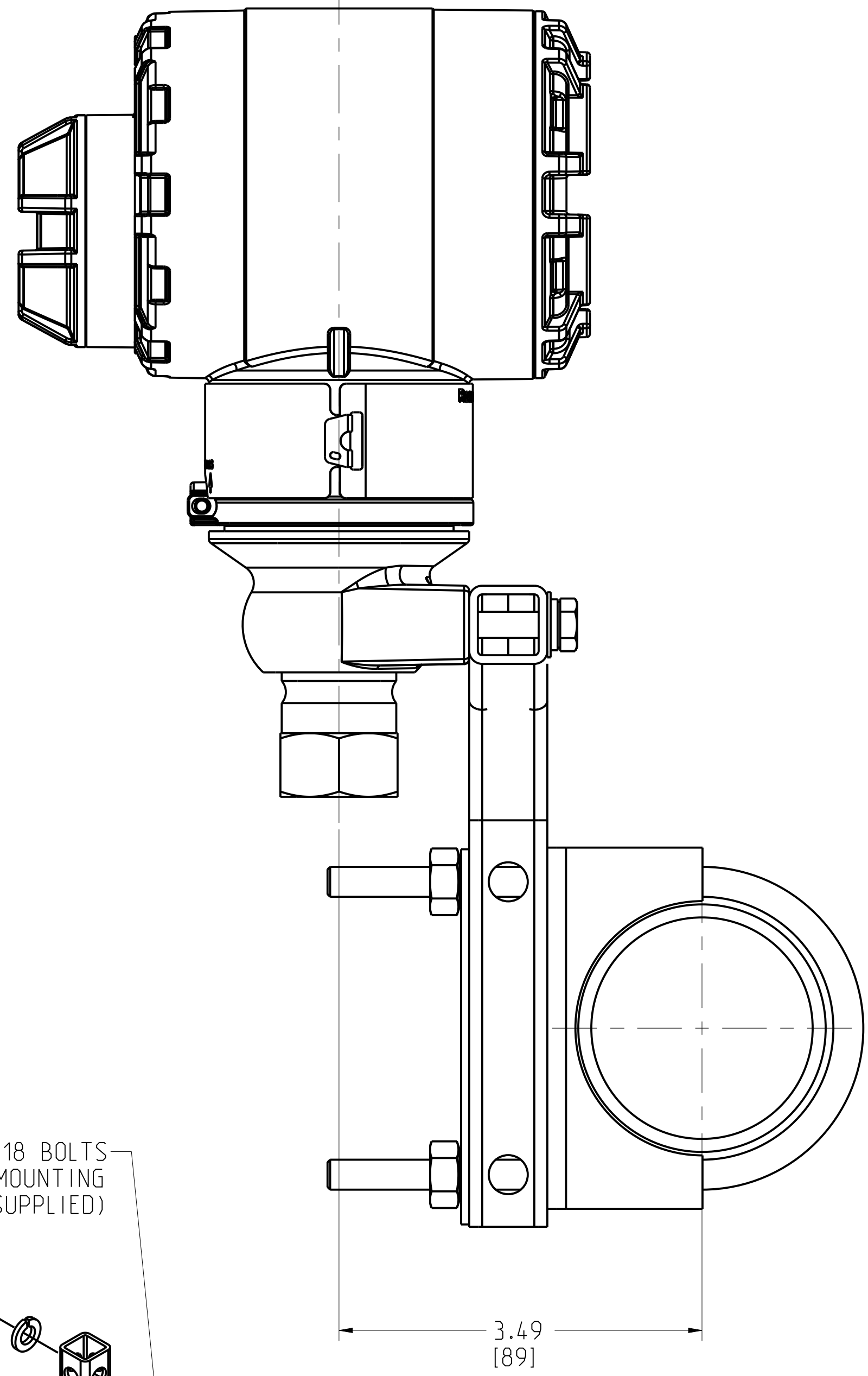
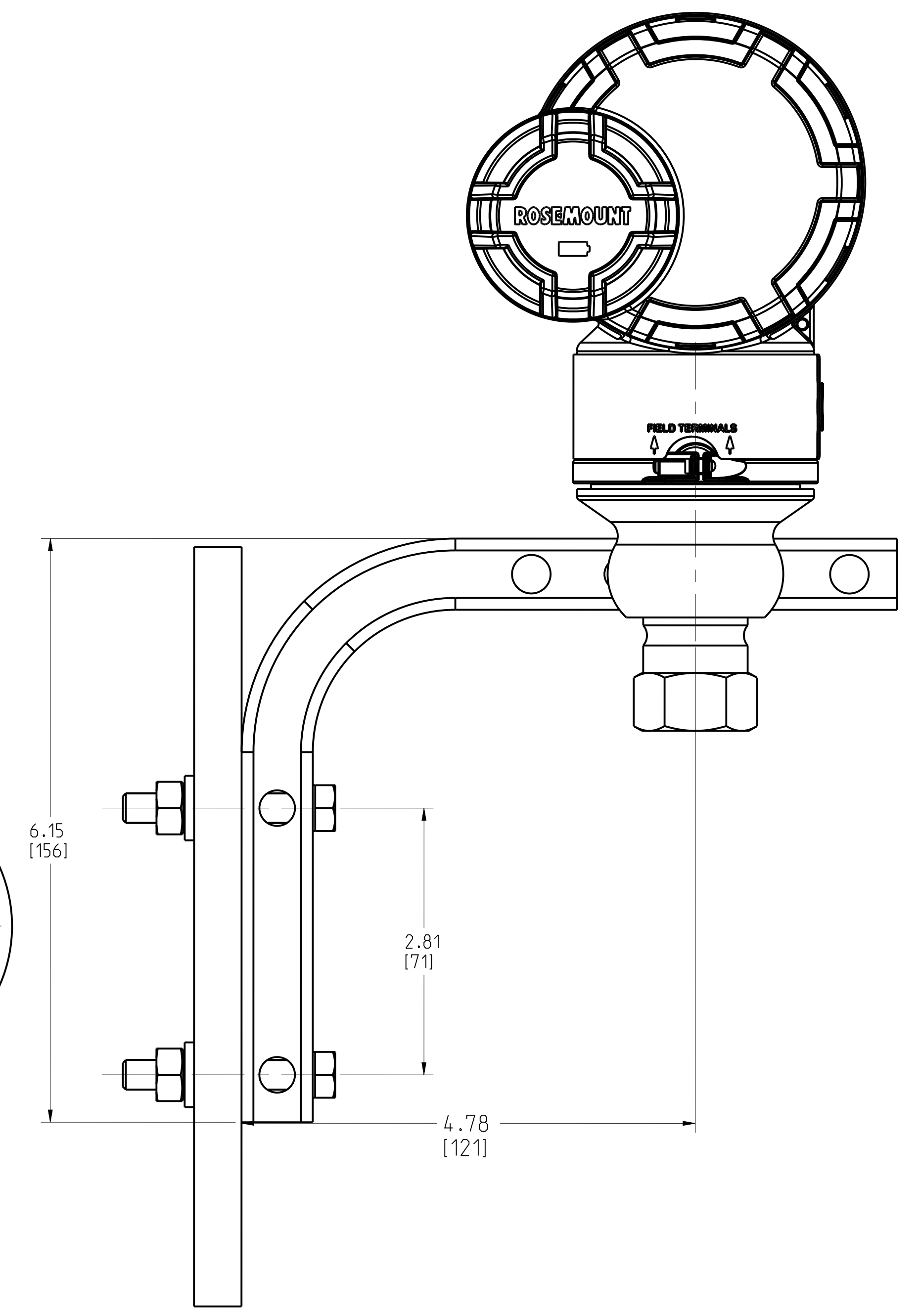
©2015 ROSEMOUNT, INC. ROSEMOUNT AND ALL OTHER TRADENAMES ARE REGISTERED IN THE U.S. PATENT AND TRADEMARK OFFICE. ALL RIGHTS RESERVED. ROSEMOUNT ENGINEERING SPECIFICATIONS. UNIT NOTES IN INCHES (mm). REFERENCE ROSEMOUNT PRODUCT SPECIFICATIONS. CLICK HERE	3RD ANGLE	SIZE D	SCALE NTS
	TITLE ROSEMOUNT 3051T IN-LINE TYPE I DRAWING		
	DR. JLA 7/23/14	DRAWING NO. 03031-2097	
APP'D TOM WALLACE 7/23/14			
CAD MAINTAINED (PRO/EI)	SHEET 5 OF 6		

ROSEMOUNT 3051T WIRELESS IN-LINE PRESSURE TRANSMITTER
MOUNTING CONFIGURATIONS WITH OPTIONAL MOUNTING BRACKET

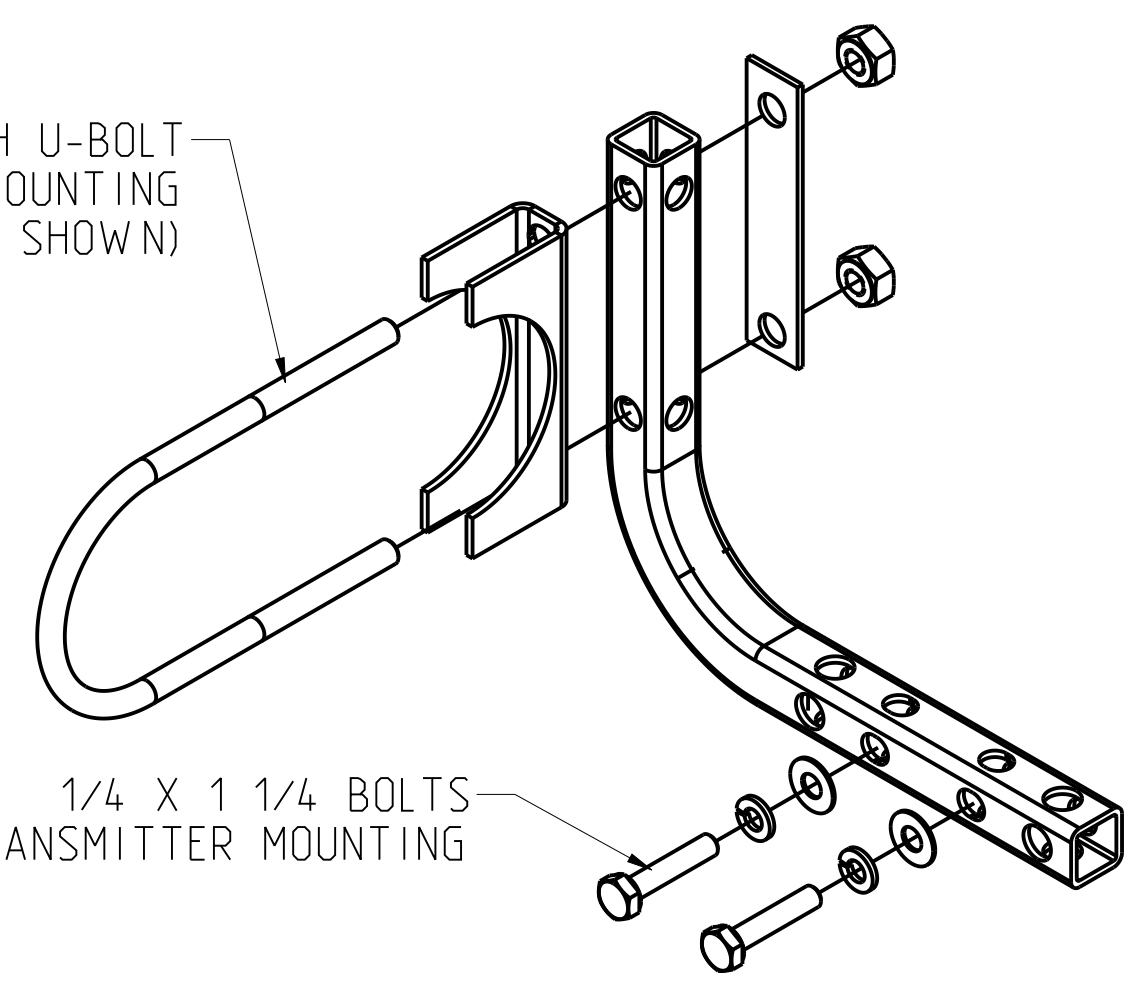
PIPE MOUNTING



PANEL MOUNTING

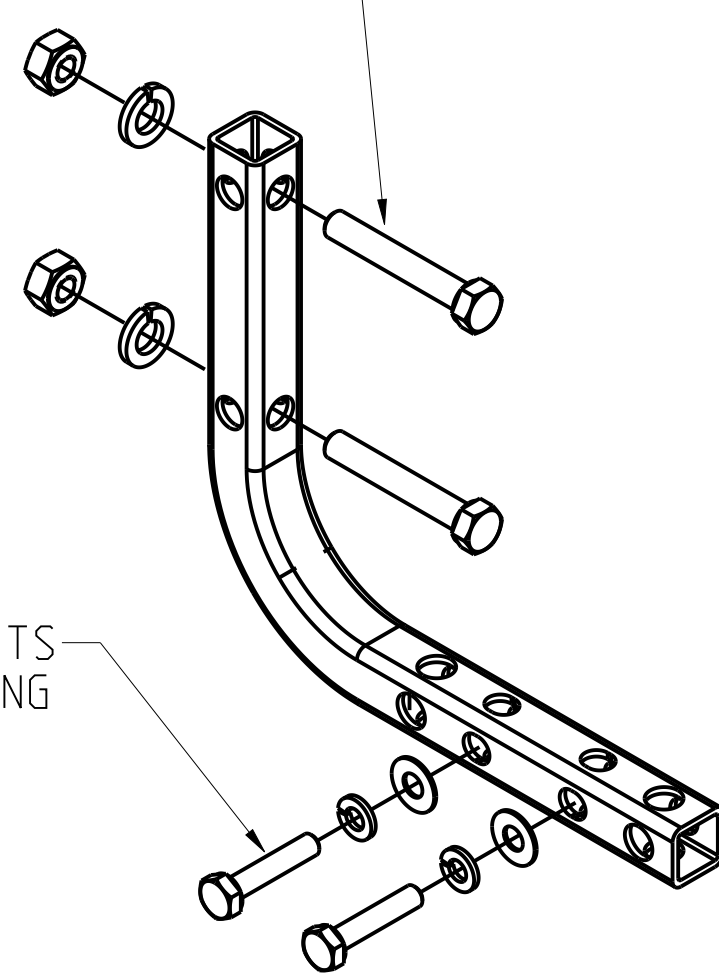


2 INCH U-BOLT
FOR PIPE MOUNTING
(CLAMP SHOWN)



1/4 X 1 1/4 BOLTS
FOR TRANSMITTER MOUNTING

5/16-18 BOLTS
FOR PANEL MOUNTING
(NOT SUPPLIED)



1/4 X 1 1/4 BOLTS
FOR TRANSMITTER MOUNTING

©2015 ROSEMOUNT, INC. ALL RIGHTS RESERVED. THIS DRAWING IS THE PROPERTY OF ROSEMOUNT ENGINEERING. UNLESS OTHERWISE SPECIFIED, DIMENSIONS ARE IN INCHES (MILLIMETERS).

EMERSON

TITLE ROSEMOUNT 3051T IN-LINE
TYPE I DRAWING

DR. JLA 7/23/14 DRAWING NO. 03031-2097

APP'D TOM WALLACE 7/23/14

CAD MAINTAINED (PRO/EI) SHEET 6 OF 6

3RD ANGLE

SIZE D

SCALE NTS