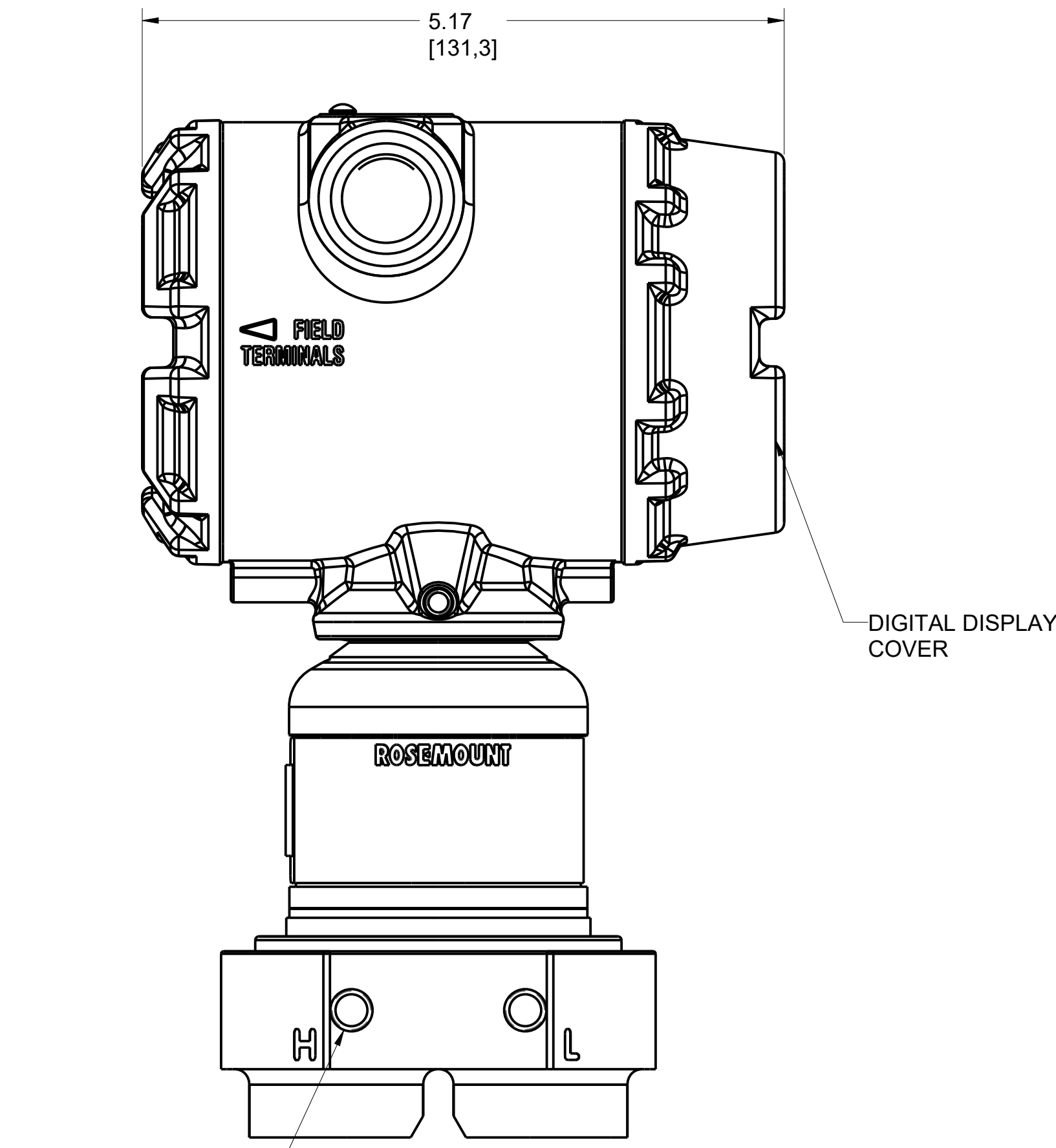


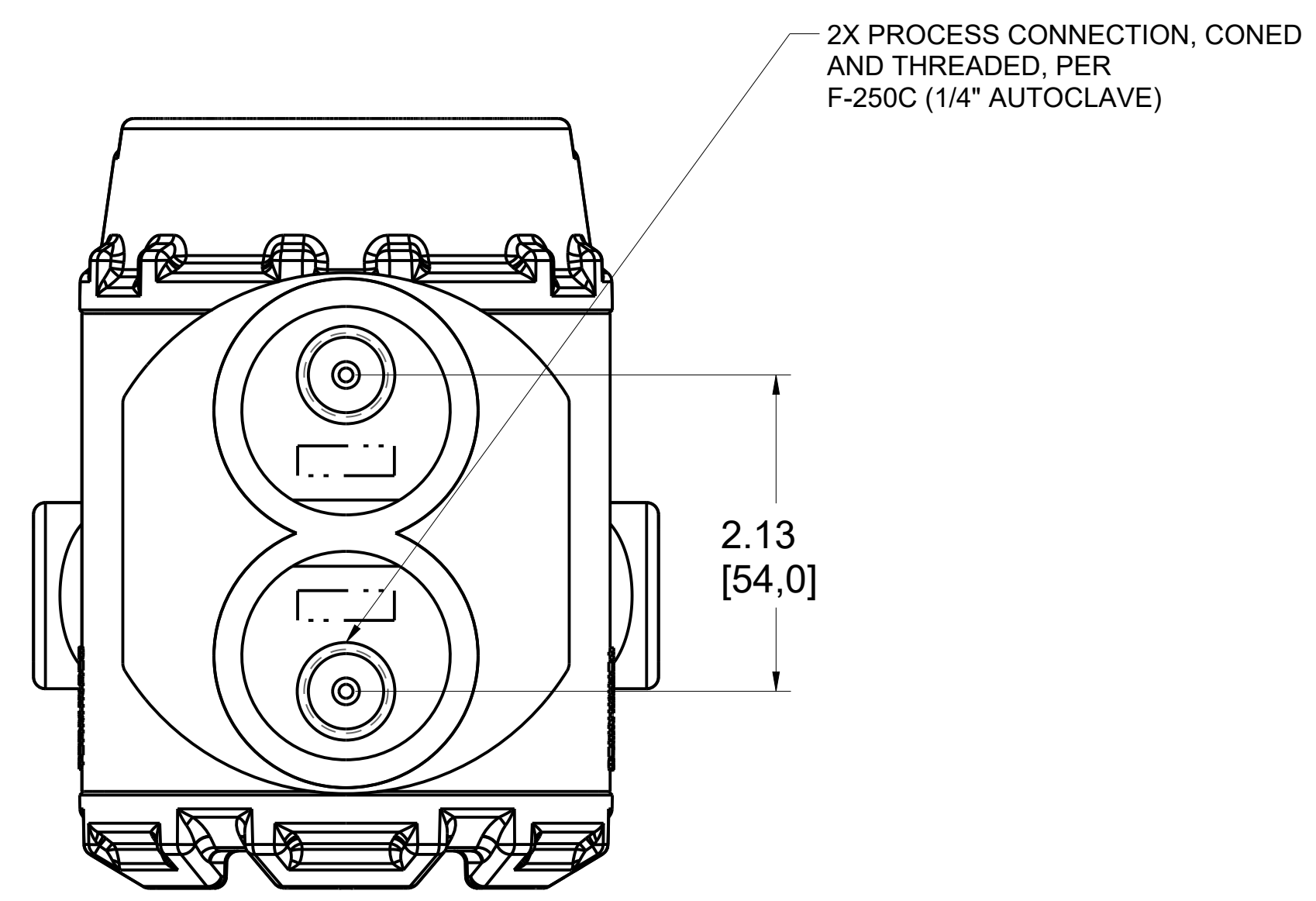
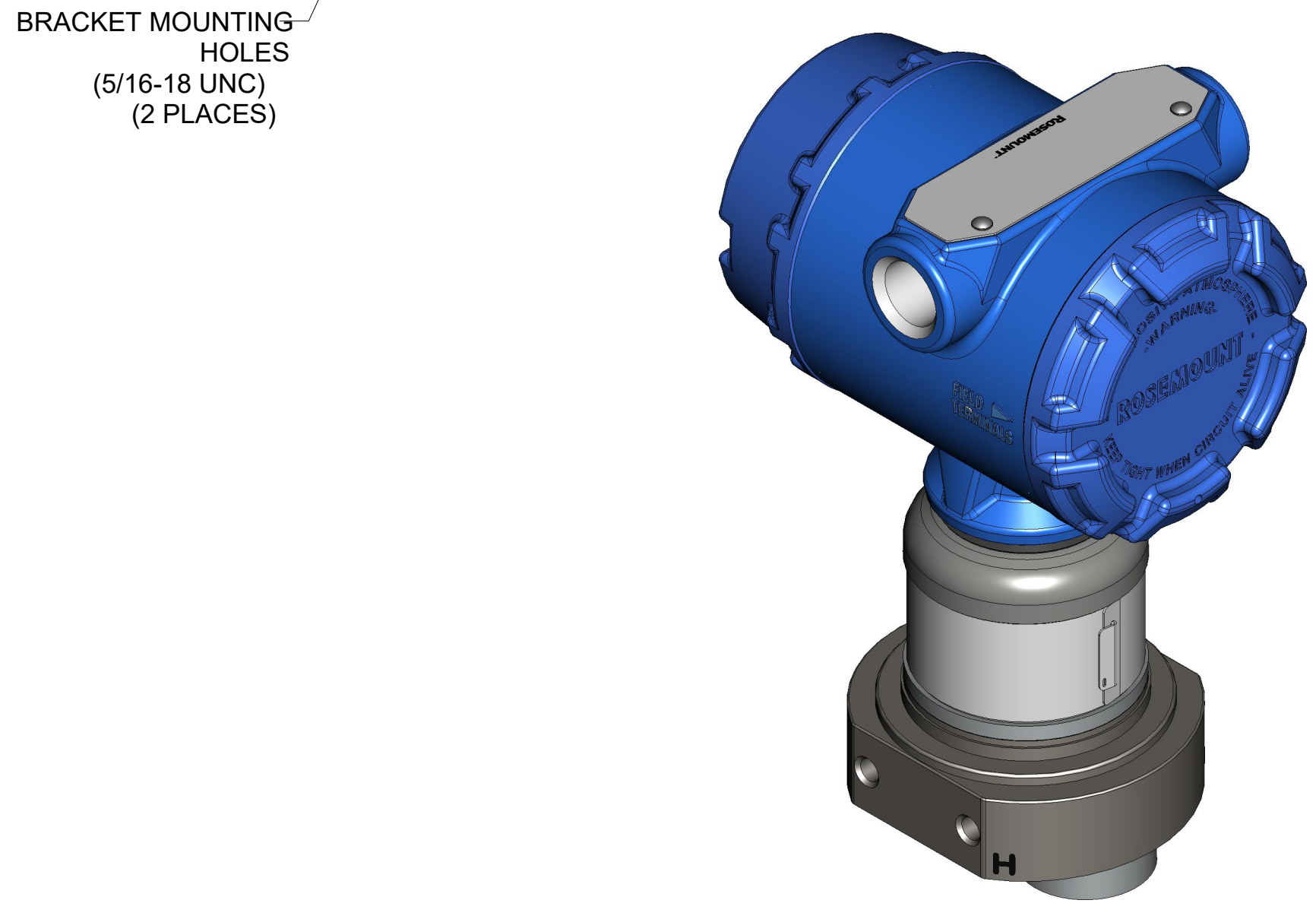
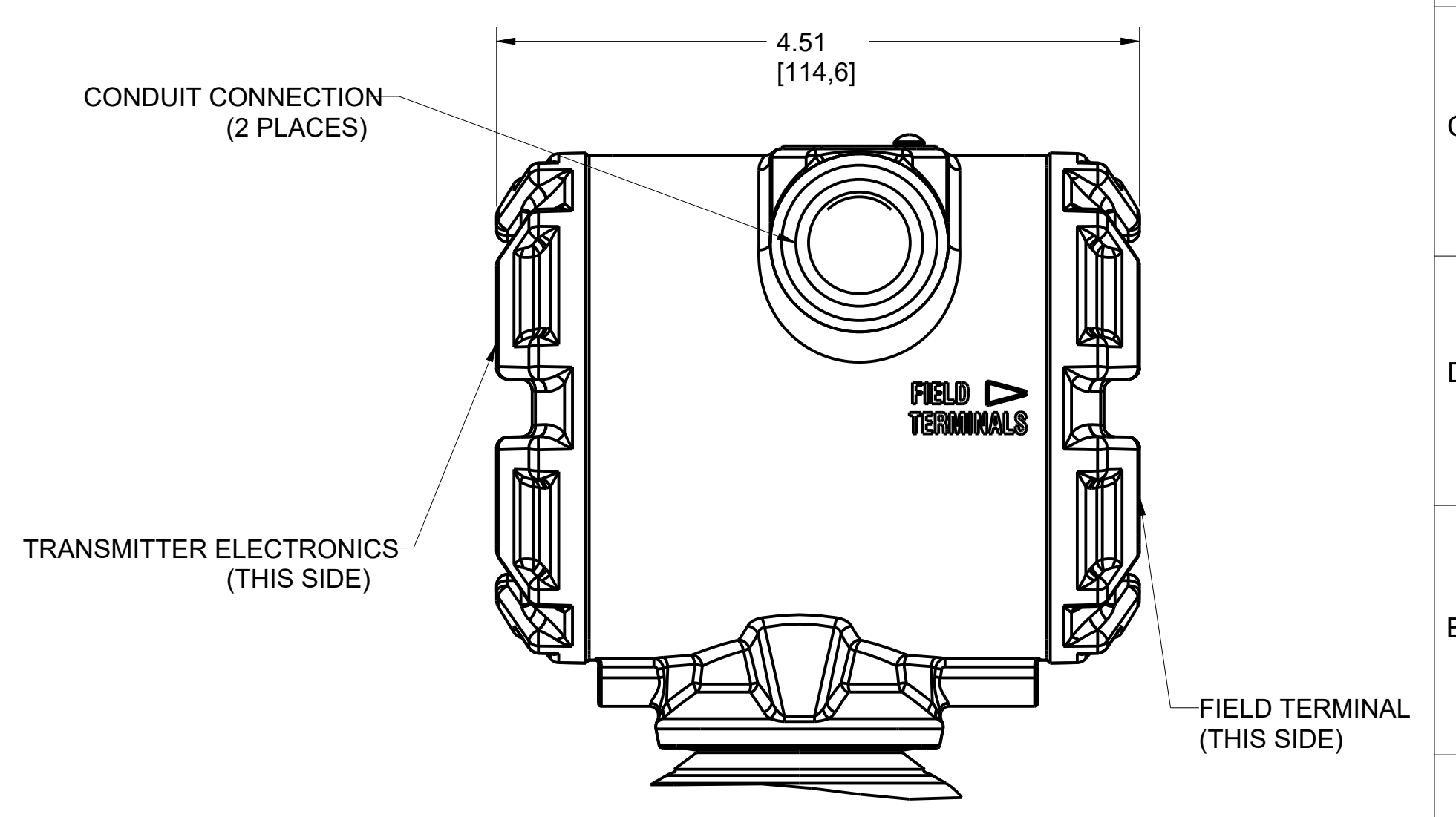
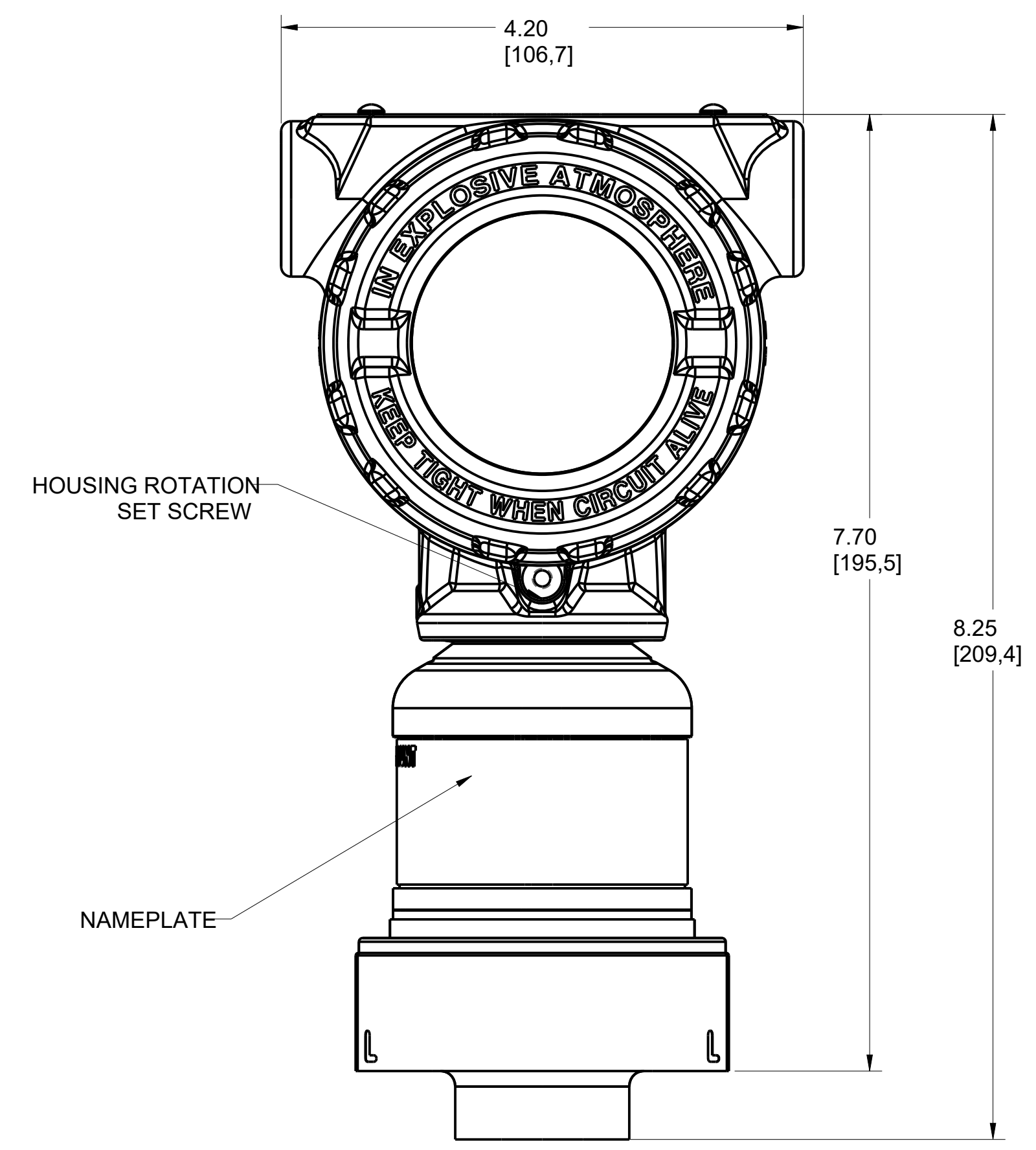
3051SHP PRESSURE TRANSMITTER

REVISION TABLE			
REVISION	ECO NO.	APP'D	DATE
AB	RTC1072643	D. STREI	3/19/19
DESCRIPTION			
UPDATE CALL-OUTS			

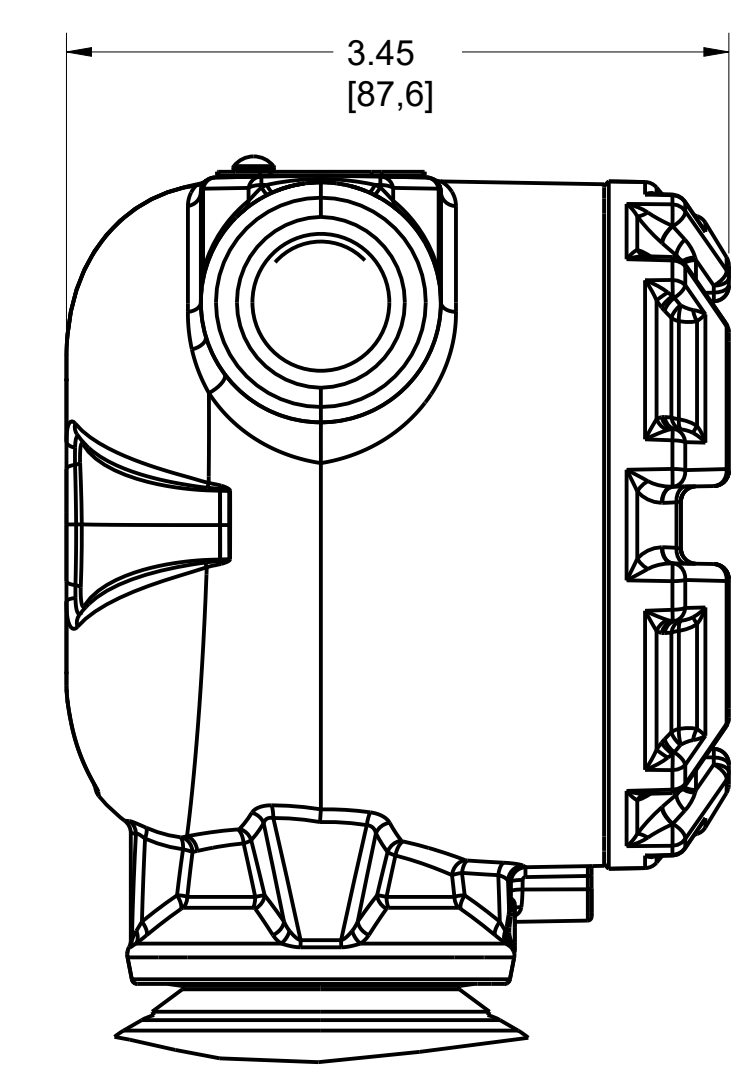
PLANTWEB HOUSING
SHOWN WITH OPTIONAL DIGITAL DISPLAY



PLANTWEB HOUSING



JUNCTION BOX HOUSING

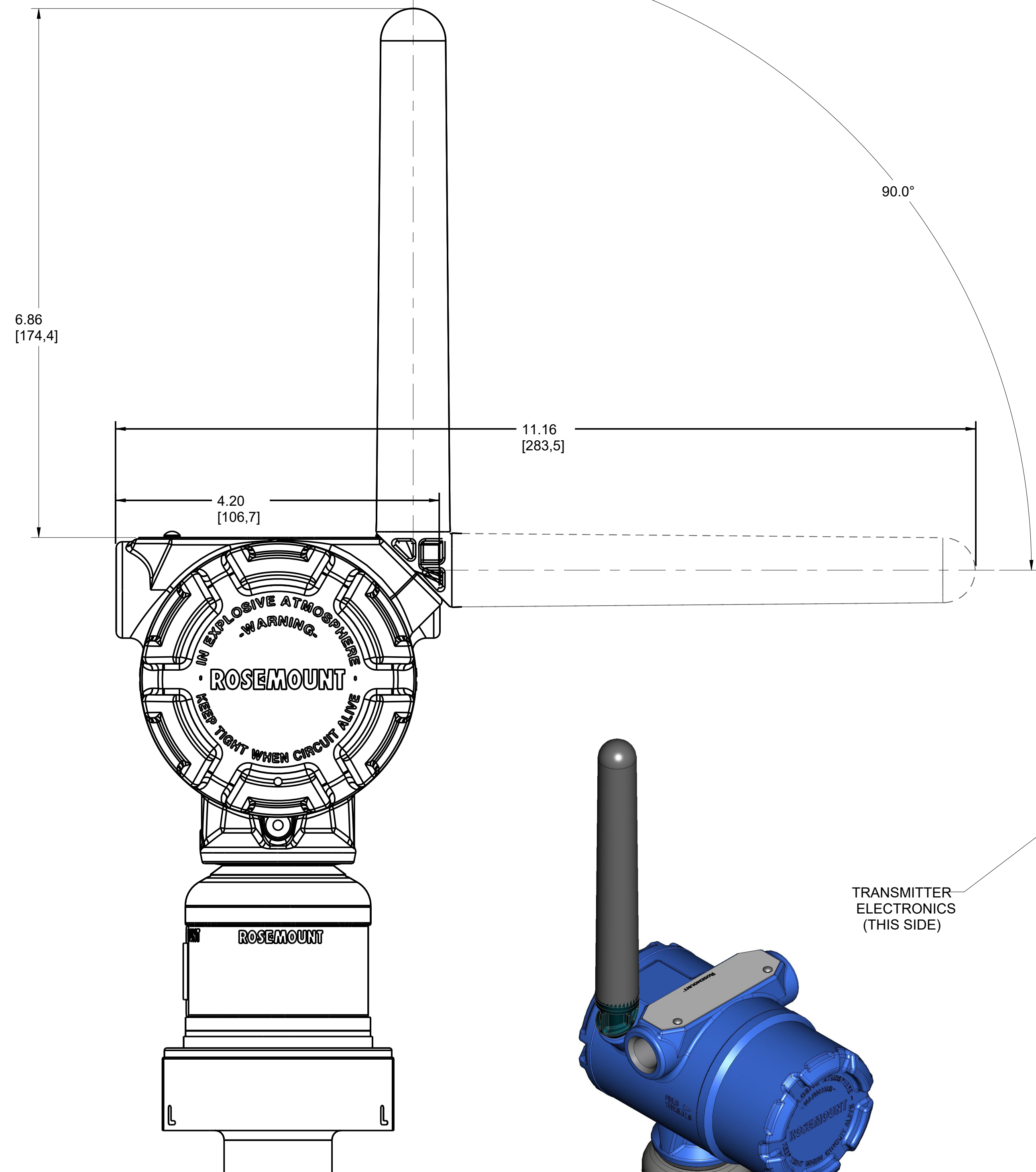


2. .75 [19] CLEARANCE REQUIRED TO REMOVE COVERS

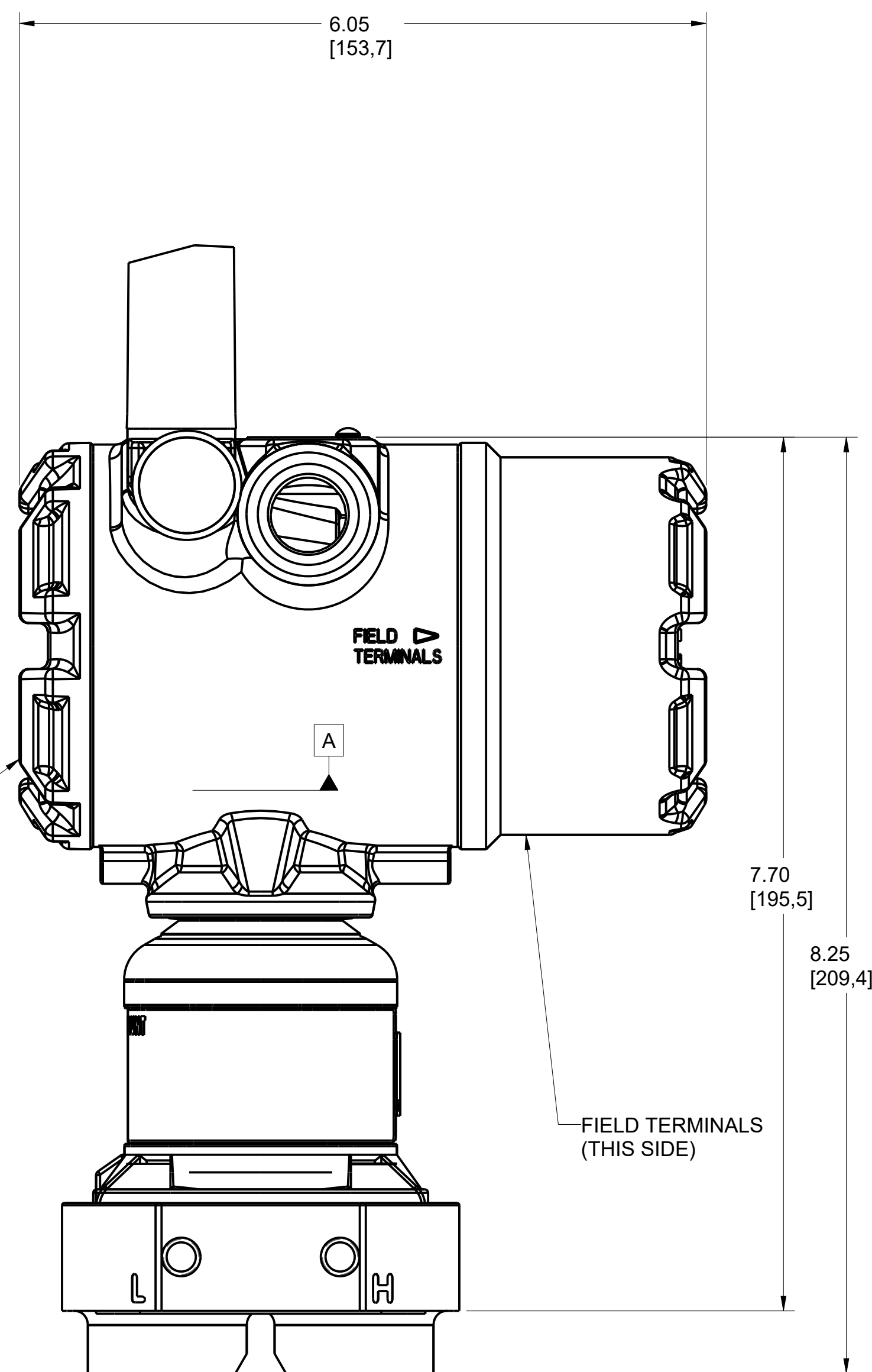
©2015 ROSEMOUNT INC. ROSEMOUNT INC. CERTIFIES THIS DRAWING IS MADE IN ACCORDANCE WITH ROSEMOUNT ENGINEERING SPECIFICATIONS. UNIT NOTES IN INCHES (mm). REFERENCE ROSEMOUNT PRODUCT SPECIFICATIONS. CLICK HERE	3RD ANGLE	SIZE D	SCALE NTS
	TITLE ROSEMOUNT 3051SHP TYPE I DRAWING		
	DR. J. ARMSTRONG APP'D D BEAL	9/3/15 9/3/15	DRAWING NO. 03151-7002

3051SHP WIRELESS PRESSURE TRANSMITTER

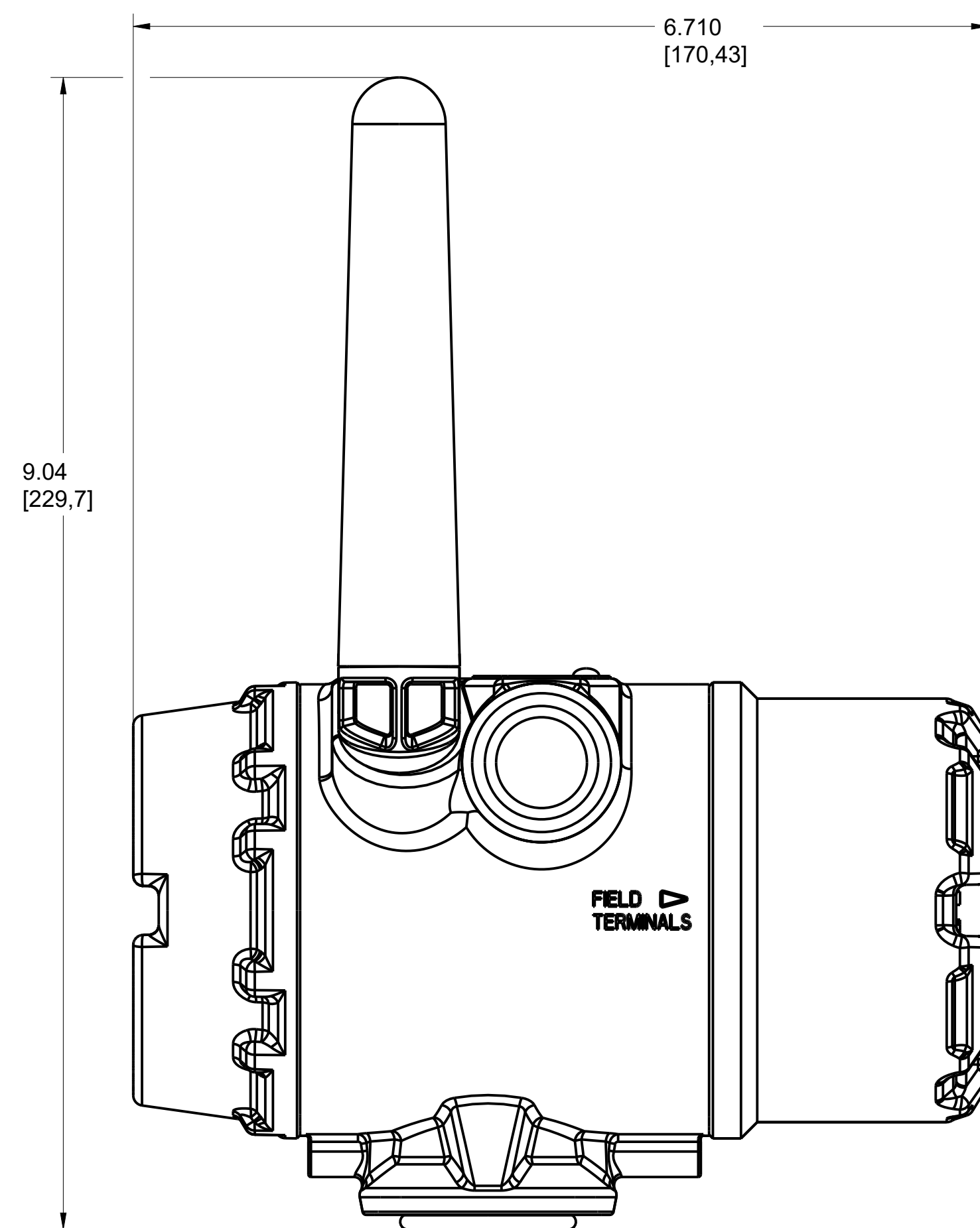
WIRELESS PLANTWEB HOUSING
SHOWN WITH 2.4 GHz EXTENDED RANGE ANTENNA



WIRELESS PLANTWEB HOUSING
SHOWN WITHOUT DIGITAL DISPLAY



WIRELESS PLANTWEB HOUSING
SHOWN WITH OPTIONAL DIGITAL DISPLAY



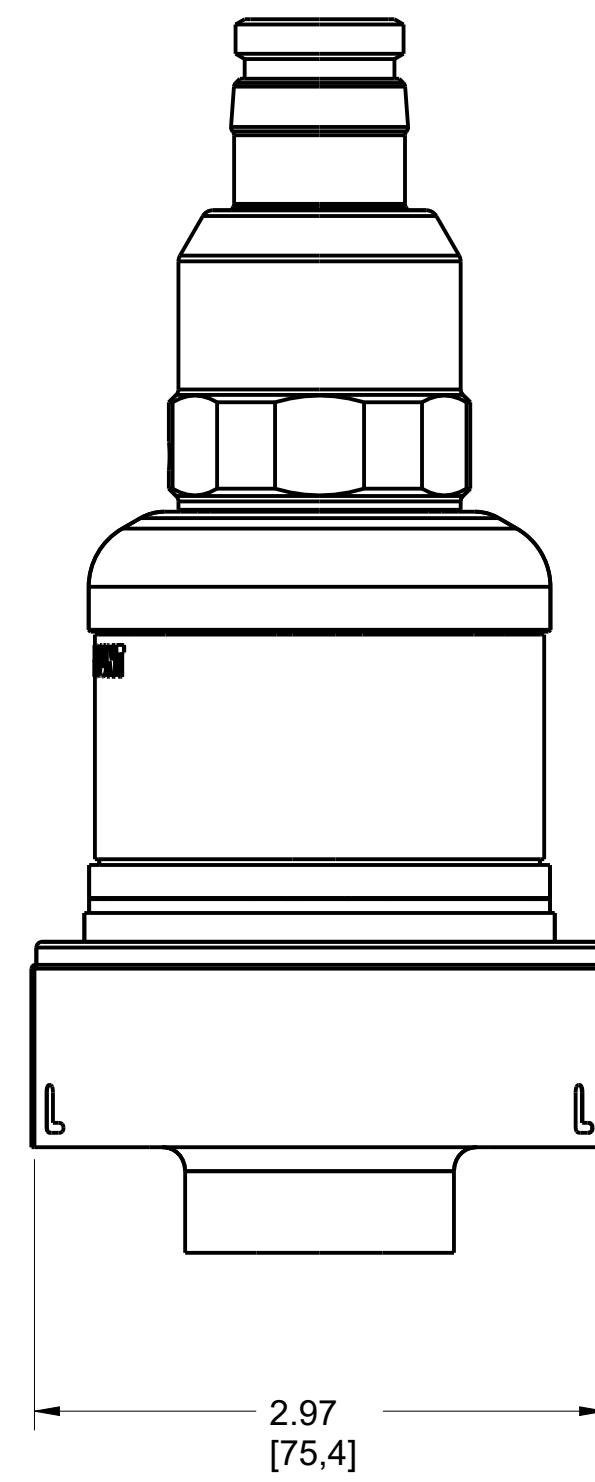
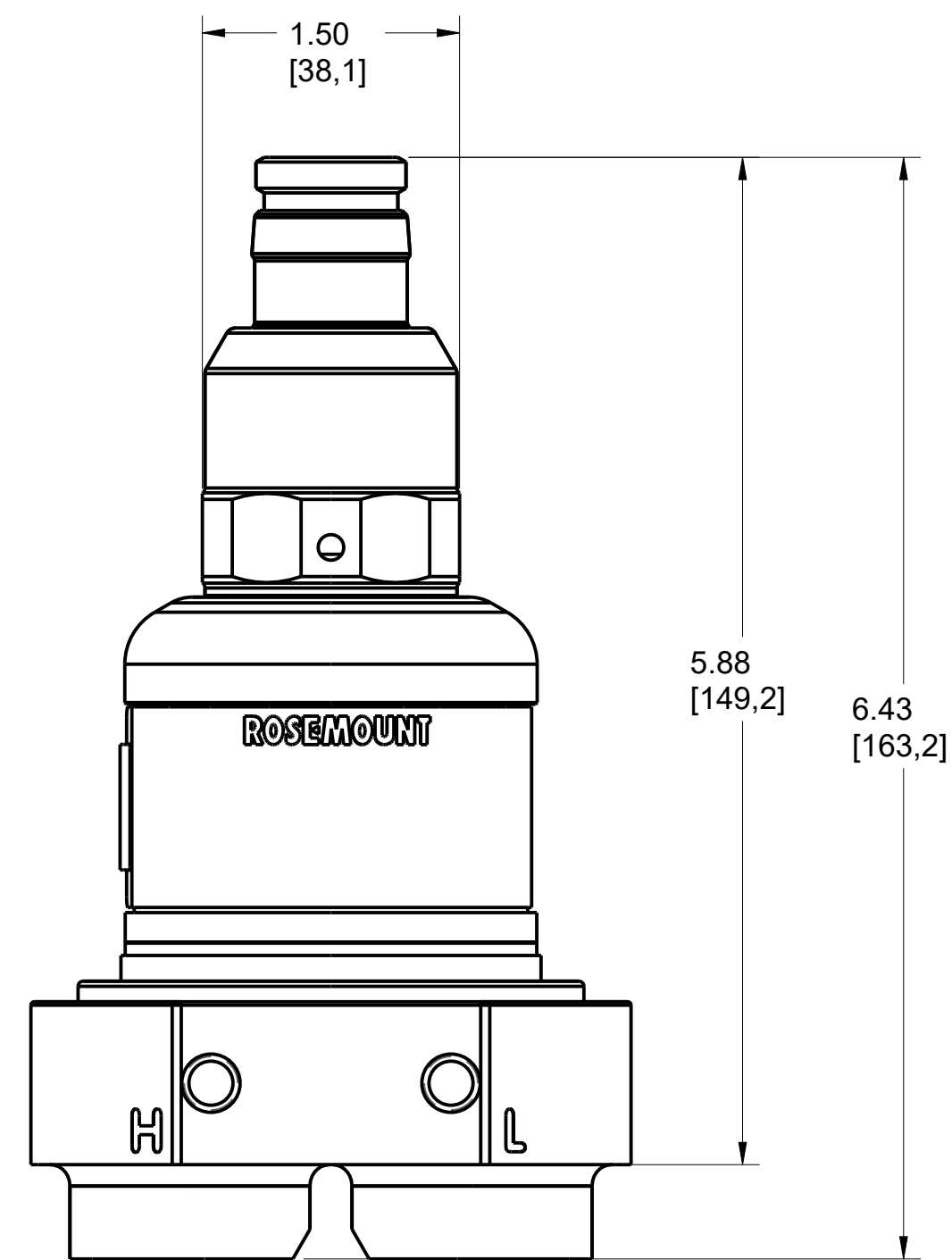
TRANSMITTER
ELECTRONICS
(THIS SIDE)

FIELD TERMINALS
(THIS SIDE)

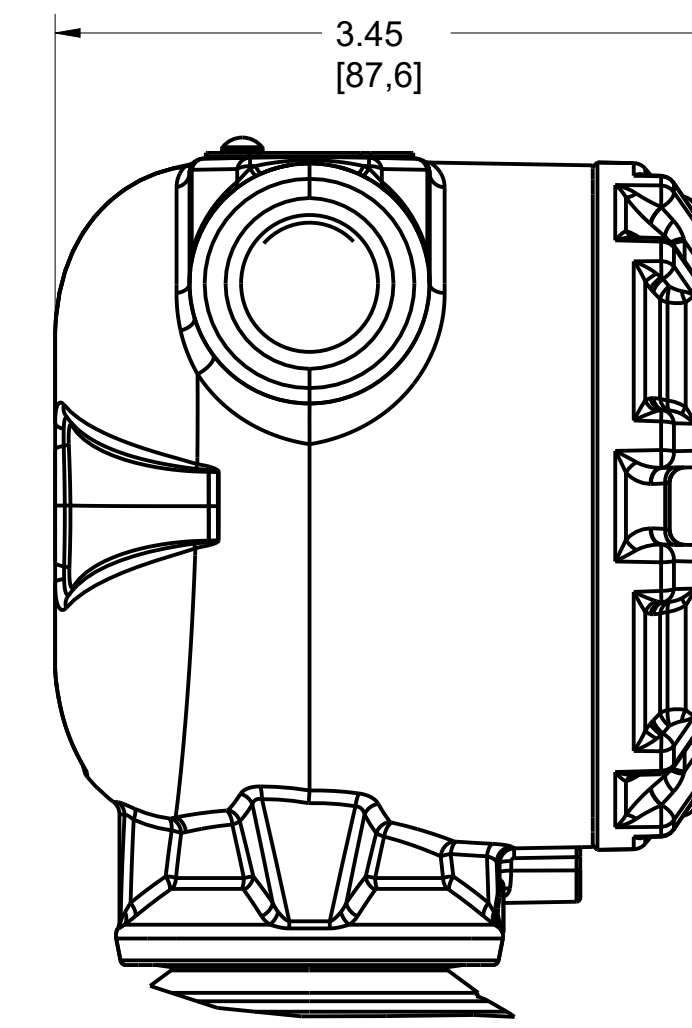
©2015 ROSEMOUNT INC. ROSEMOUNT INC. CERTIFIES THIS DRAWING AS BEING ACCORDANCE WITH ROSEMOUNT ENGINEERING SPECIFICATIONS. UNIT NOTES IN INCHES (mm). REFERENCE ROSEMOUNT PRODUCT SPECIFICATIONS. CLICK HERE		3RD ANGLE	SIZE D	SCALE NTS	
	ROSEMOUNT 3051SHP TYPE I DRAWING				
	DR. J. ARMSTRONG	9/3/15	DRAWING NO.	03151-7002	
	APP'D D BEAL	9/3/15	SHEET 2 OF 5		

3051SHP PRESSURE TRANSMITTER (ONLY)

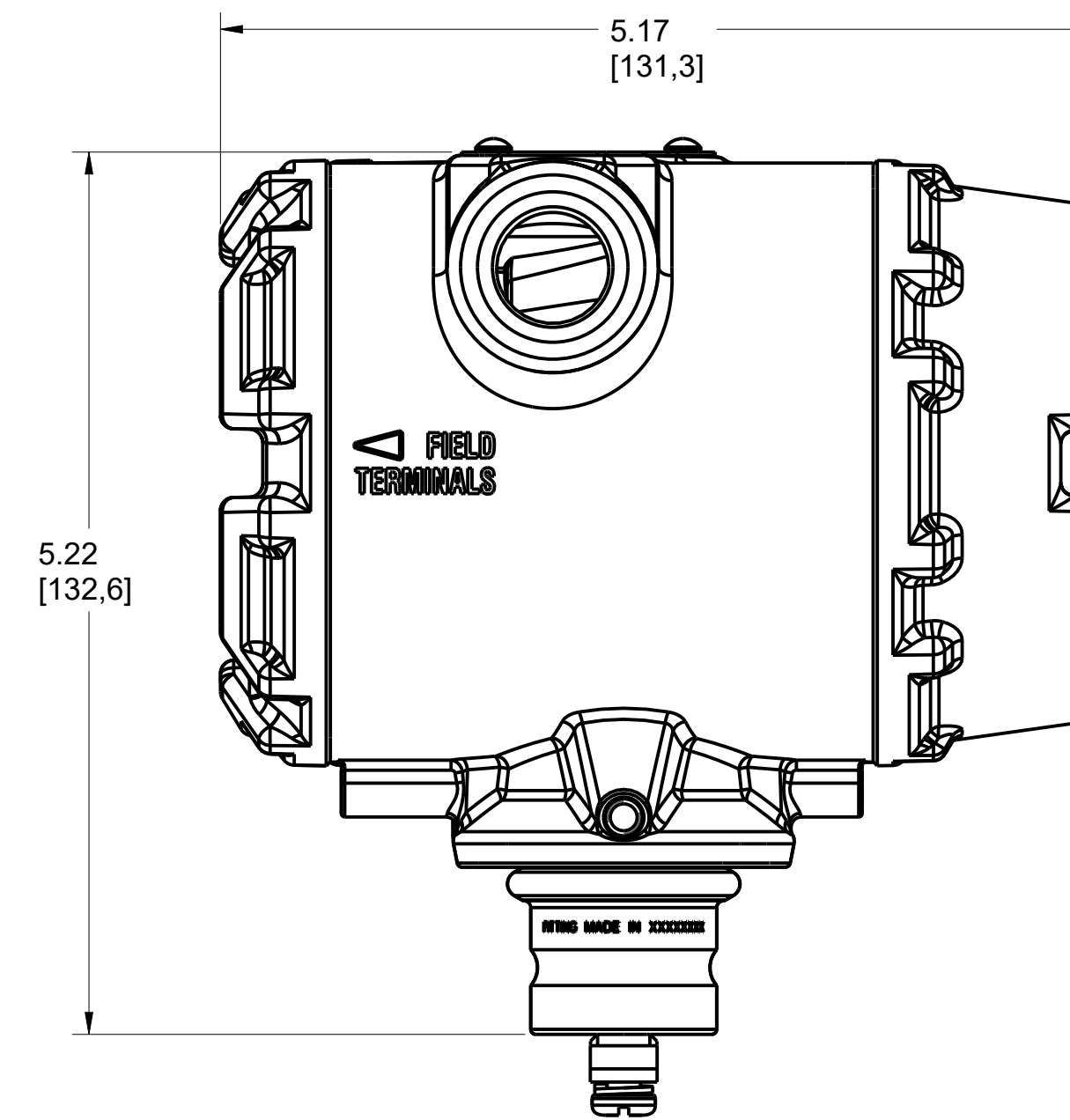
QUICK CONNECT HOUSING



JUNCTION BOX HOUSING



REMOTE METER OPTION

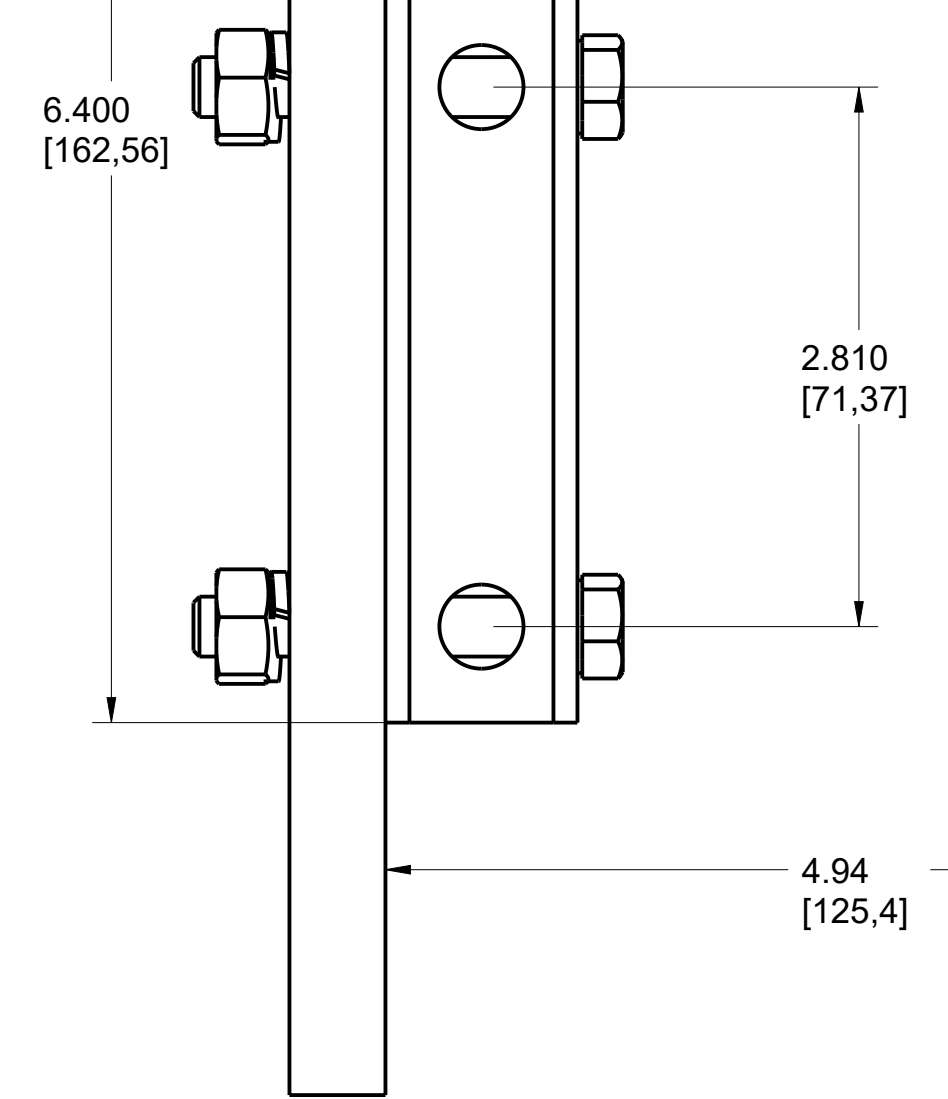
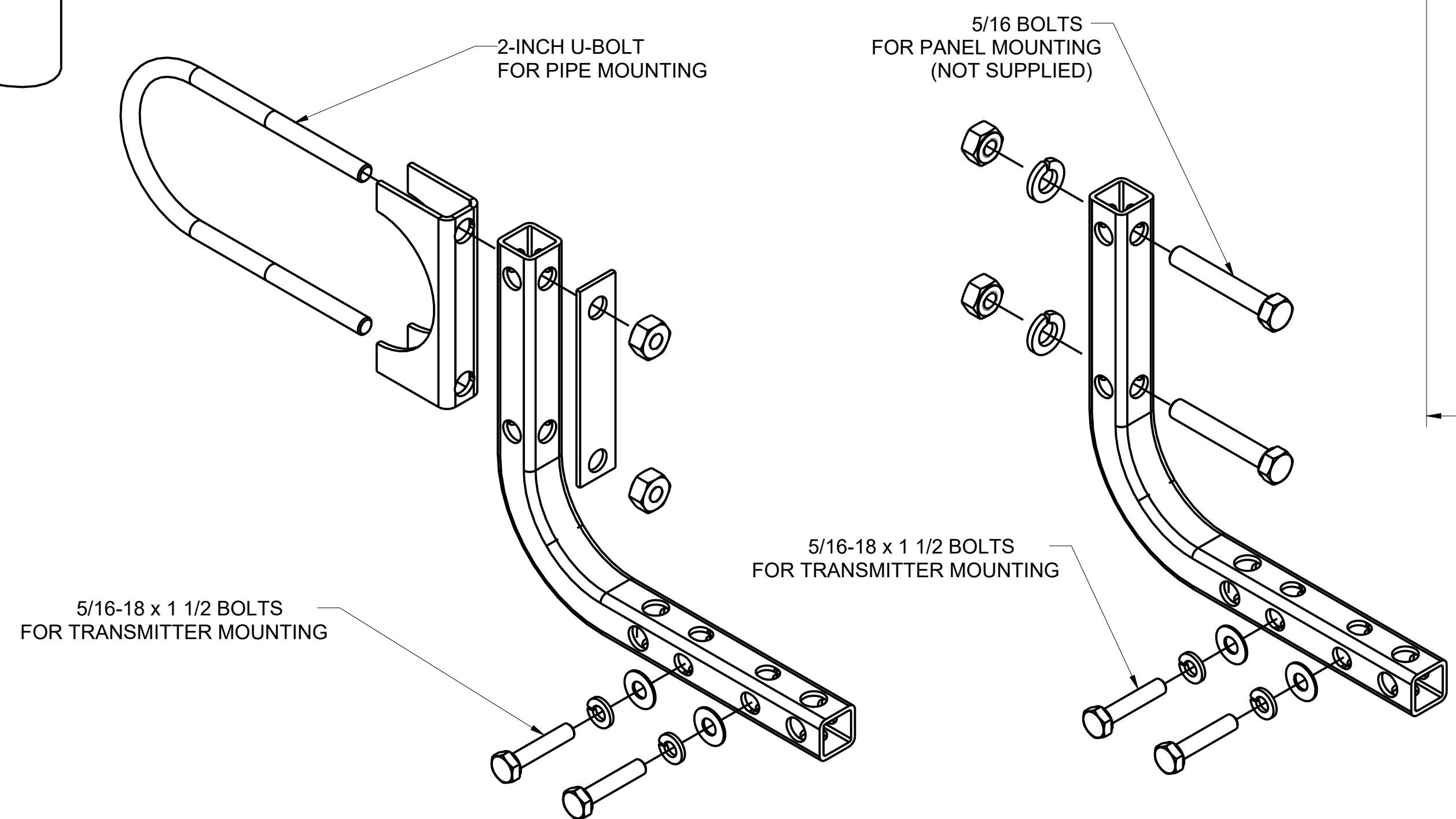
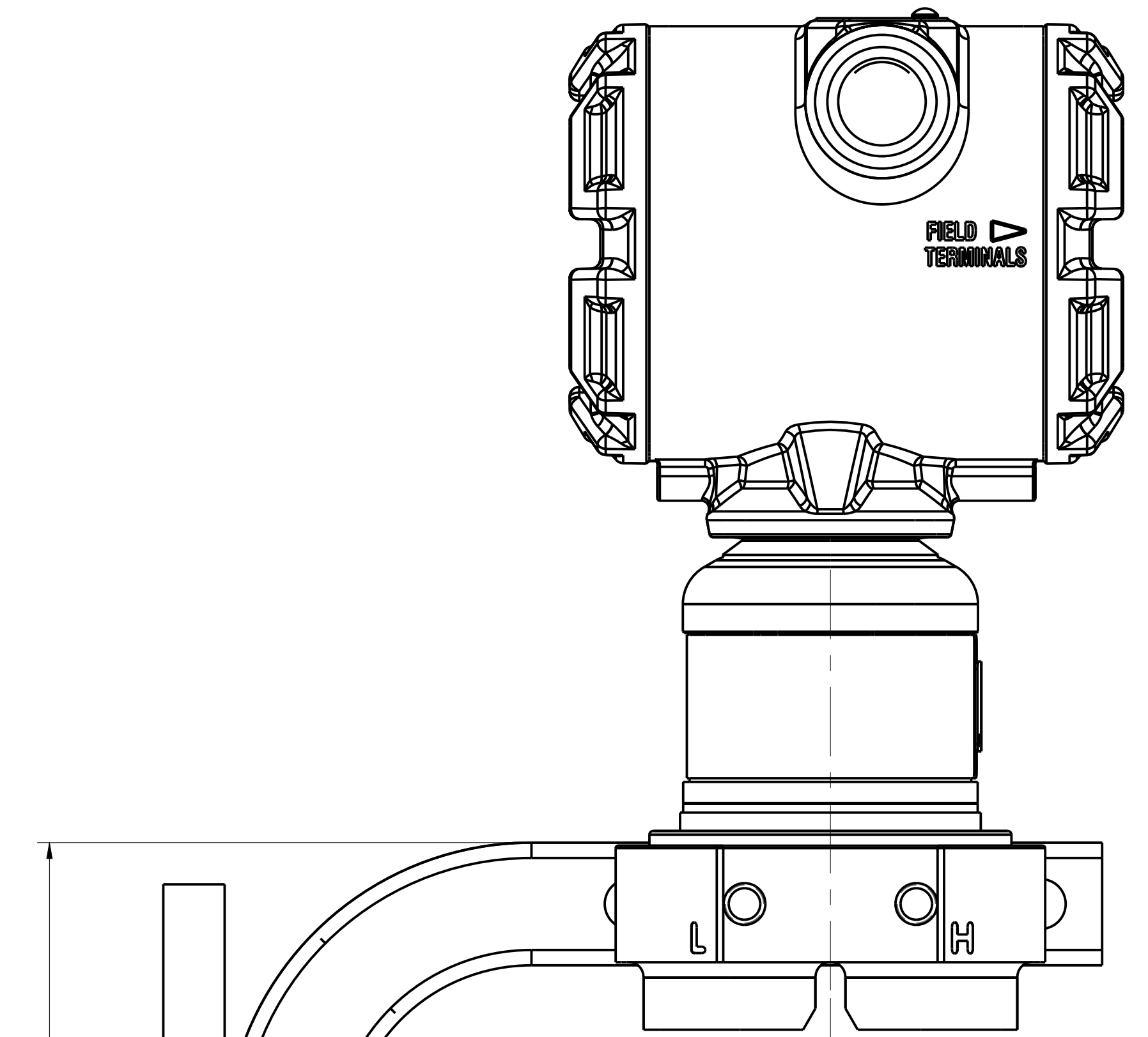
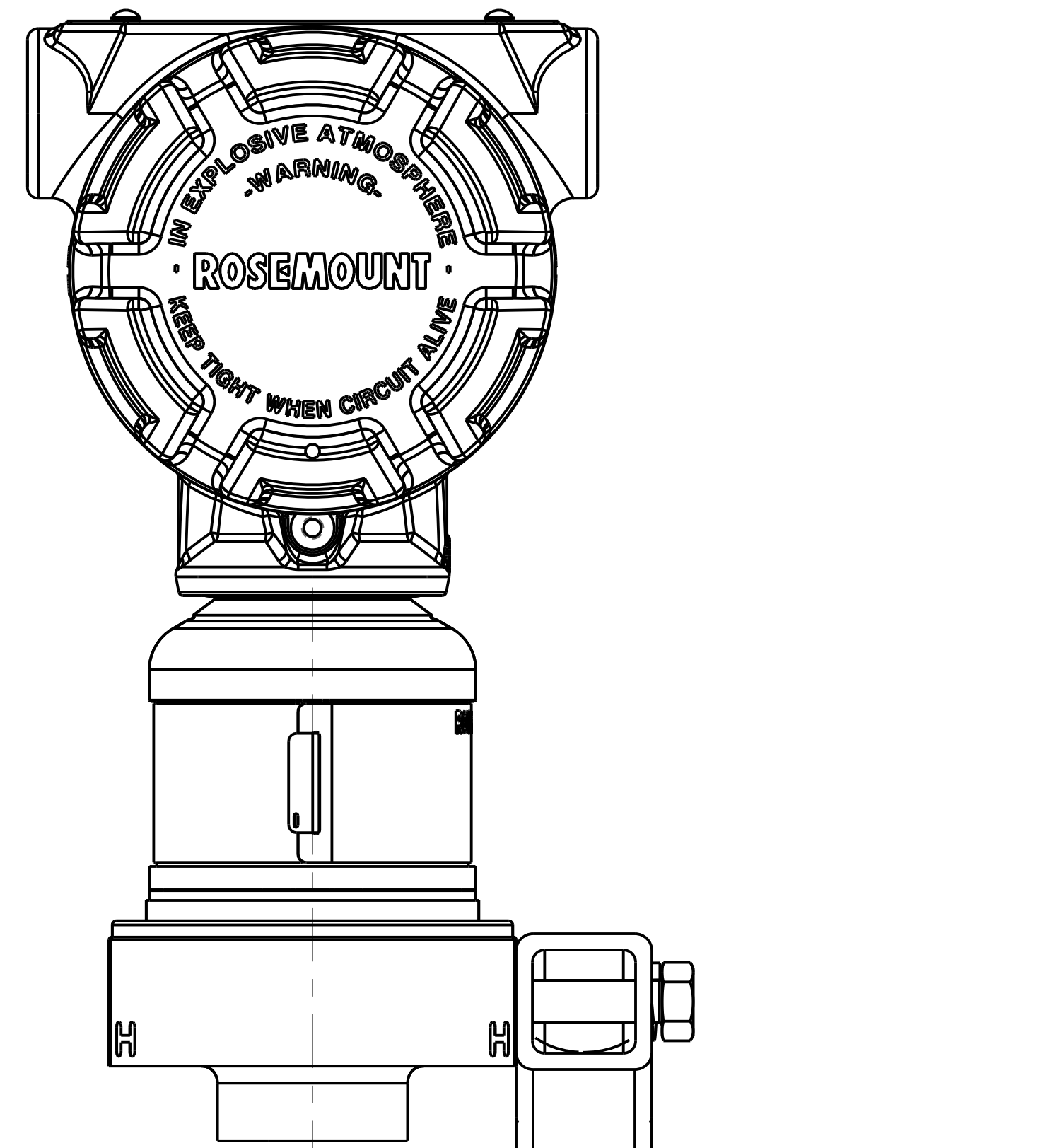
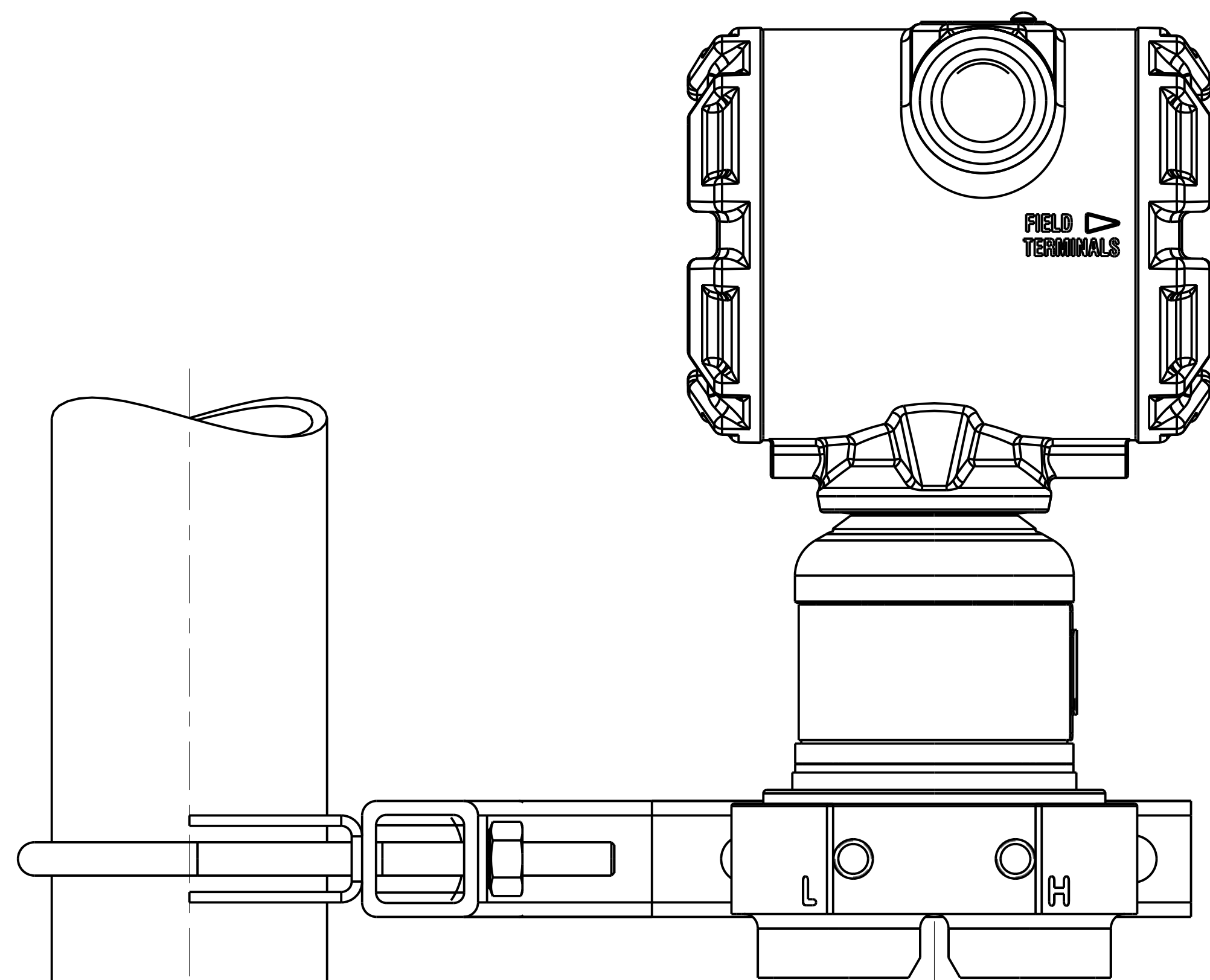


©2015 ROSEMOUNT INC. ROSEMOUNT INC. CERTIFIES THIS DRAWING IS MADE IN ACCORDANCE WITH ROSEMOUNT ENGINEERING SPECIFICATIONS. UNIT NOTES IN INCHES (mm). REFERENCE ROSEMOUNT PRODUCT SPECIFICATIONS. CLICK HERE	3RD ANGLE	SIZE D	SCALE NTS
	TITLE ROSEMOUNT 3051SHP TYPE I DRAWING		
	DR. J. ARMSTRONG APP'D	9/3/15 D BEAL	DRAWING NO. 9/3/15
CAD MAINTAINED, (PROE)		SHEET 3 OF 5	

3051SHP PRESSURE TRANSMITTER WITH MOUNTING CONFIGURATIONS

PIPE MOUNTING

PANEL MOUNTING



©2015 ROSEMOUNT INC.
ROSEMOUNT INC. CERTIFIES
THIS DRAWING IS MADE IN
ACCORDANCE WITH THE
ROSEMOUNT ENGINEERING
SPECIFICATIONS.
UNIT NOTES IN INCHES (mm).
REFERENCE ROSEMOUNT
PRODUCT SPECIFICATIONS.
CLICK HERE

3RD ANGLE

SIZE D SCALE NTS

EMERSON

TITLE ROSEMOUNT 3051SHP
TYPE I DRAWING

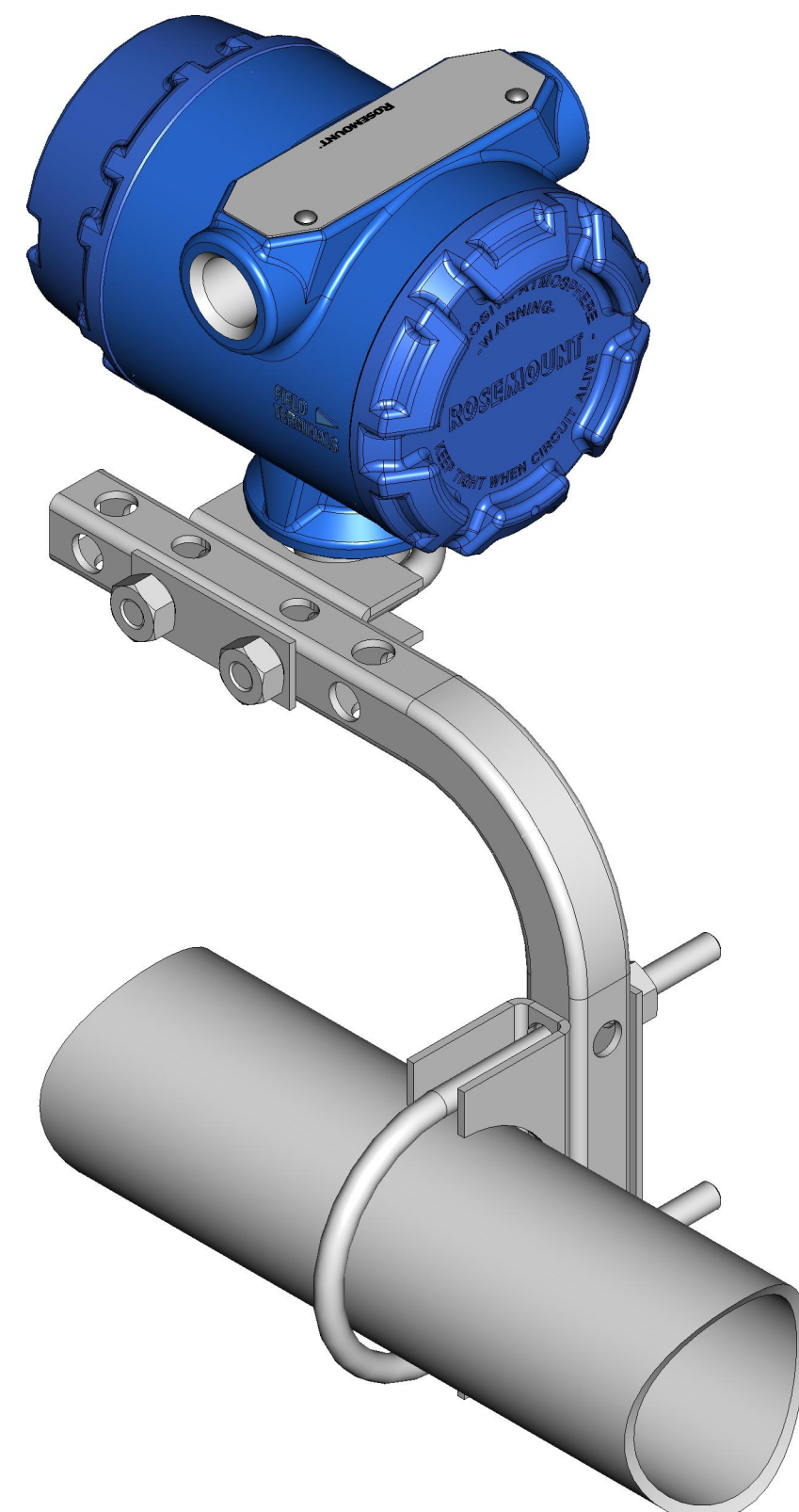
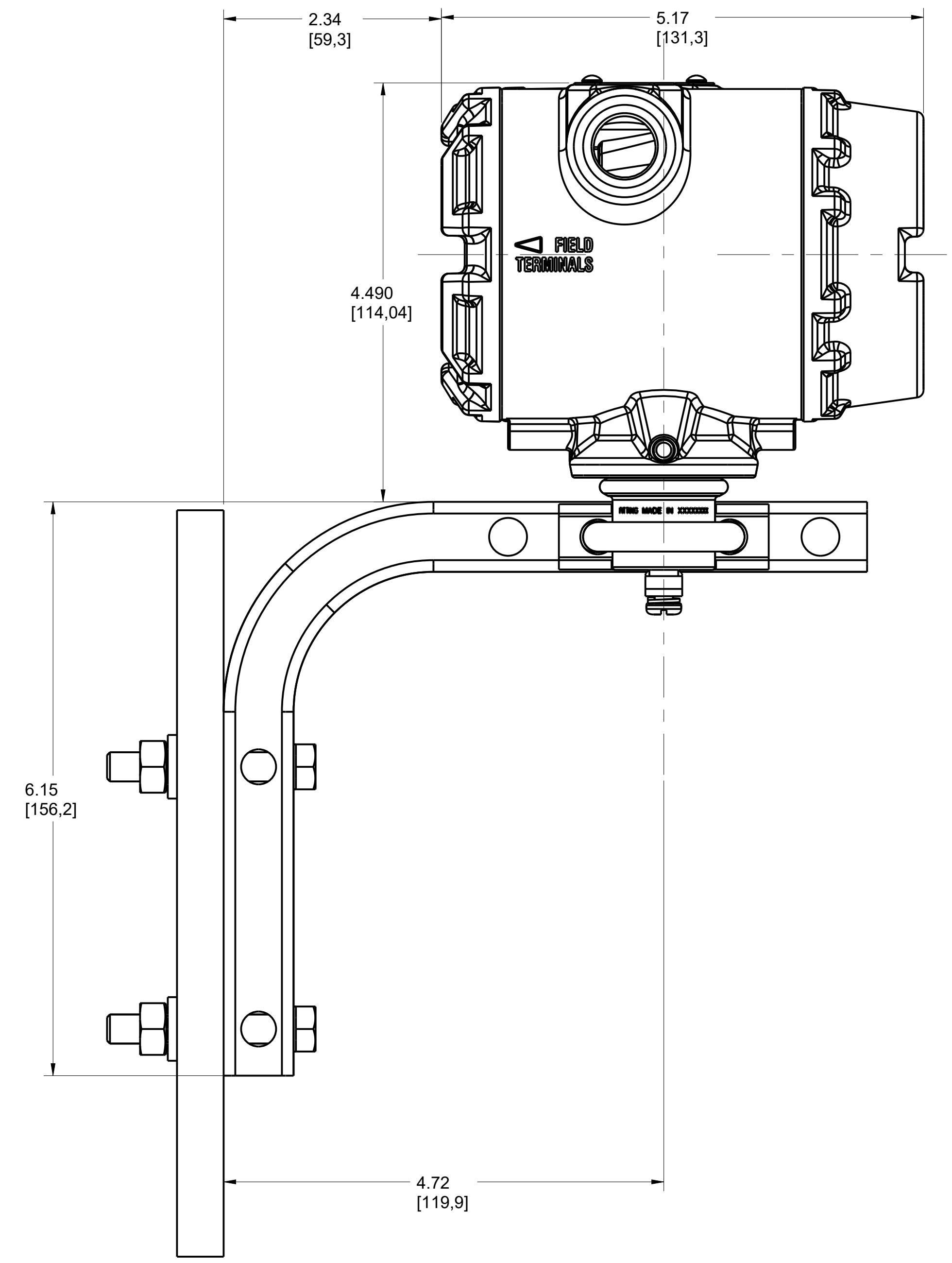
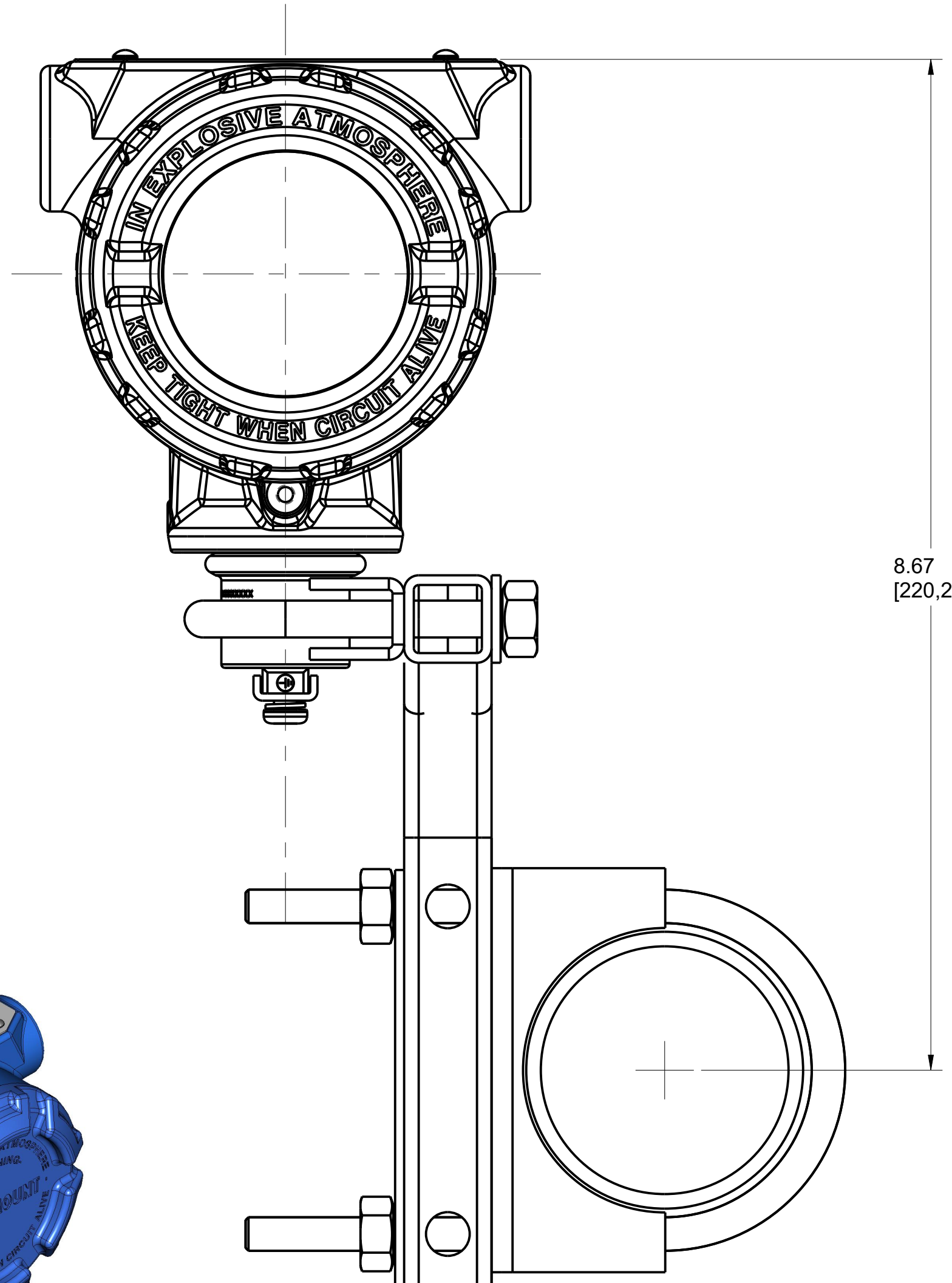
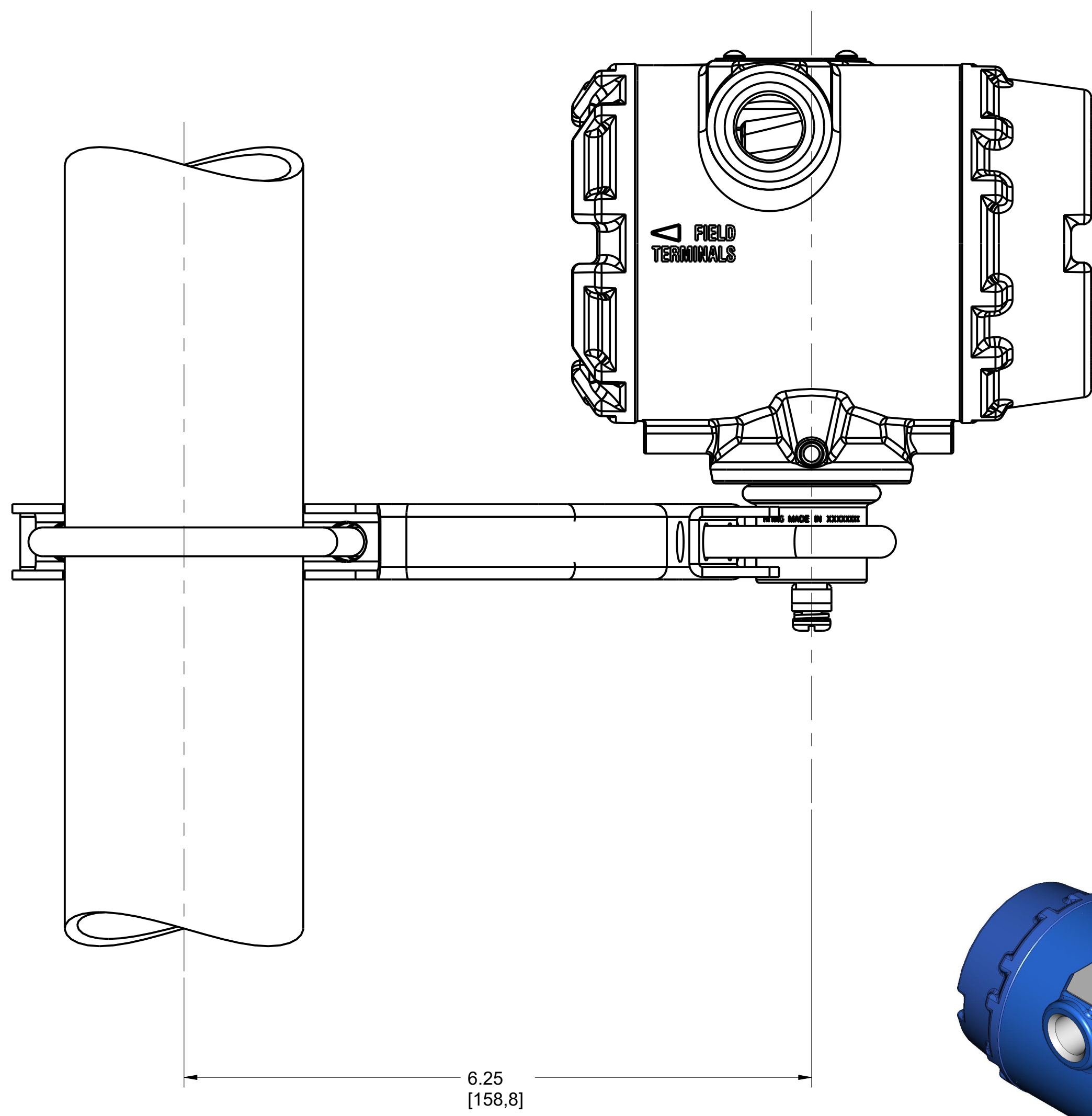
DR. J. ARMSTRONG	9/3/15	DRAWING NO.	03151-7002
APPD D BEAL	9/3/15		

CAD MAINTAINED, (PROE) SHEET 4 OF 5

REMOTE DISPLAY MOUNTING CONFIGURATIONS (B4 MOUNTING BRACKET)

PIPE MOUNTING

PANEL MOUNTING



©2015 ROSEMOUNT INC.
ROSEMOUNT INC. CERTIFIES
THIS DRAWING IS MADE
IN ACCORDANCE WITH
ROSEMOUNT ENGINEERING
SPECIFICATIONS.
UNIT NOTES IN INCHES (mm).
REFERENCE ROSEMOUNT
PRODUCT SPECIFICATIONS.
CLICK HERE

EMERSON

TITLE
**ROSEMOUNT 3051SHP
TYPE I DRAWING**

DR. J. ARMSTRONG	9/3/15	DRAWING NO.	
APPD D BEAL	9/3/15		03151-7002
CAD MAINTAINED, (PROE)			SHEET 5 OF 5

3RD ANGLE

SIZE D

SCALE NTS