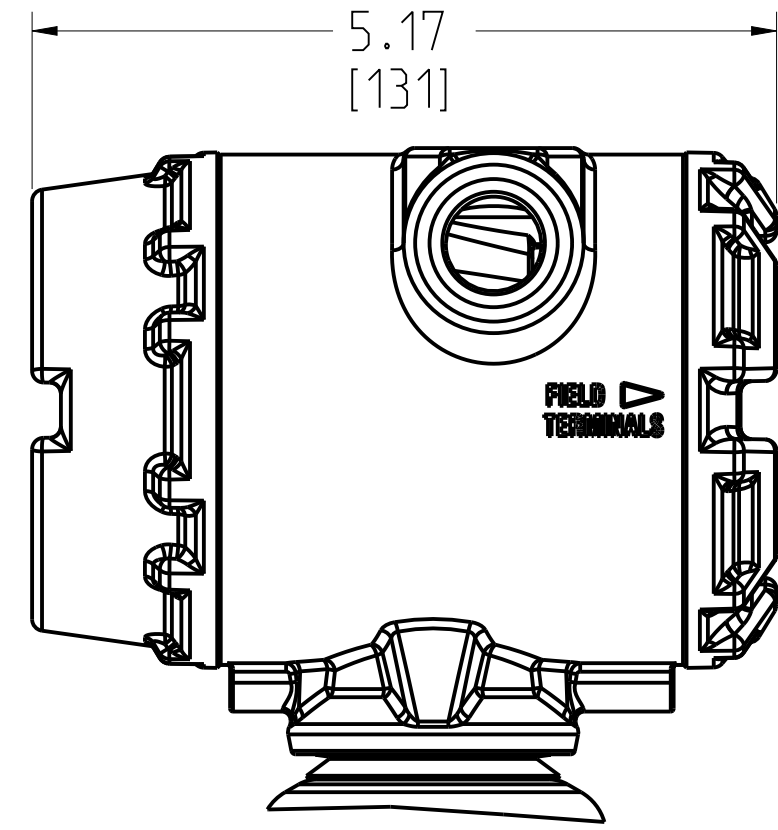


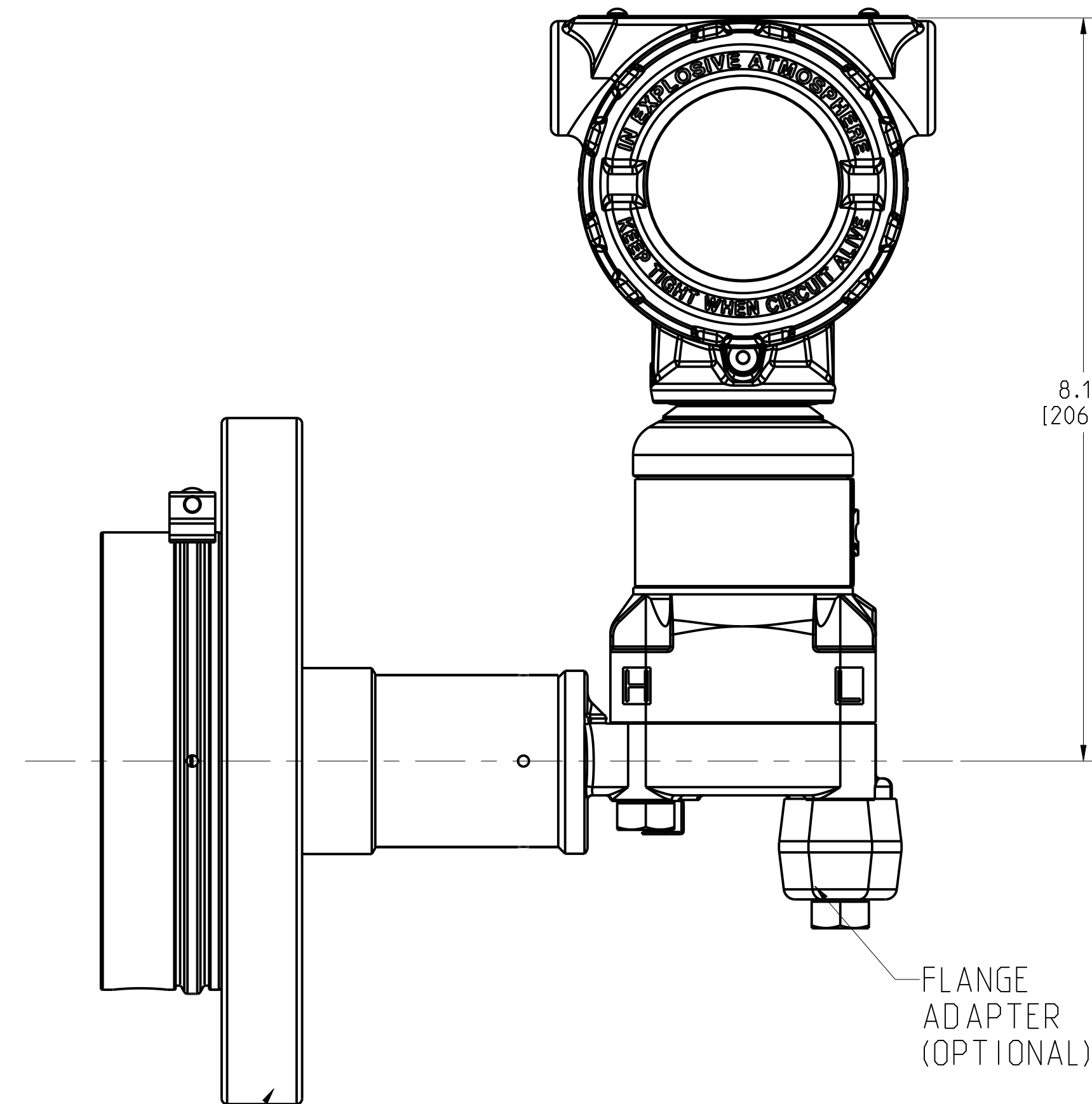
ROSEMOUNT 3051SAL LIQUID LEVEL PRESSURE TRANSMITTER COPLANAR FLANGE PROCESS CONNECTION

REVISION TABLE			
REVISION	ECO NO.	APP'D	DATE
AH	RTC10B1453	N. MEIDL	9/1/23
DESCRIPTION			
ADD SHEET 7 COPLANAR ALL-WELDED DESIGNS. ADD 4.1 SEALS/TABLES.			

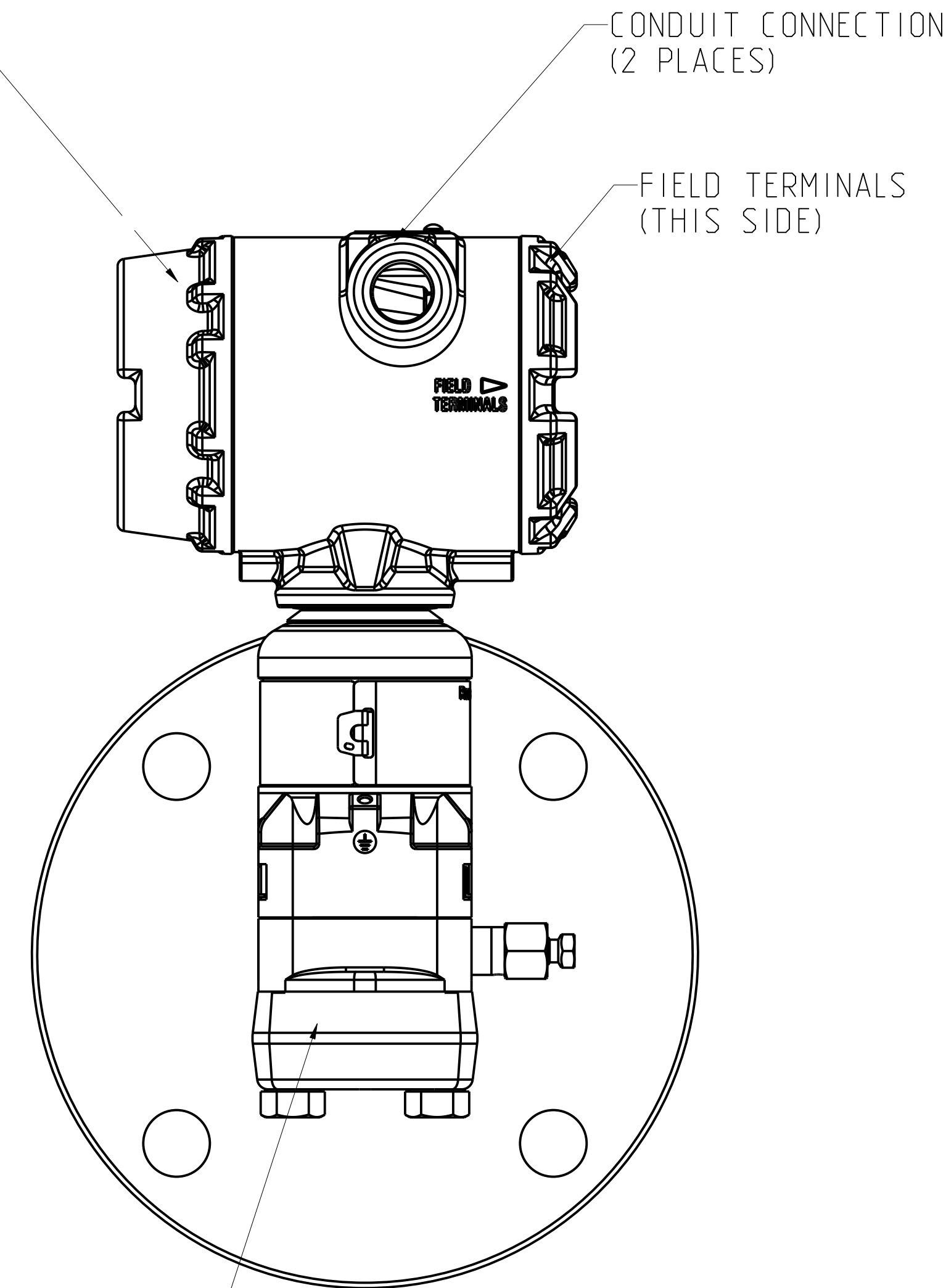
PLANTWEB HOUSING
SHOWN WITH OPTIONAL DIGITAL DISPLAY



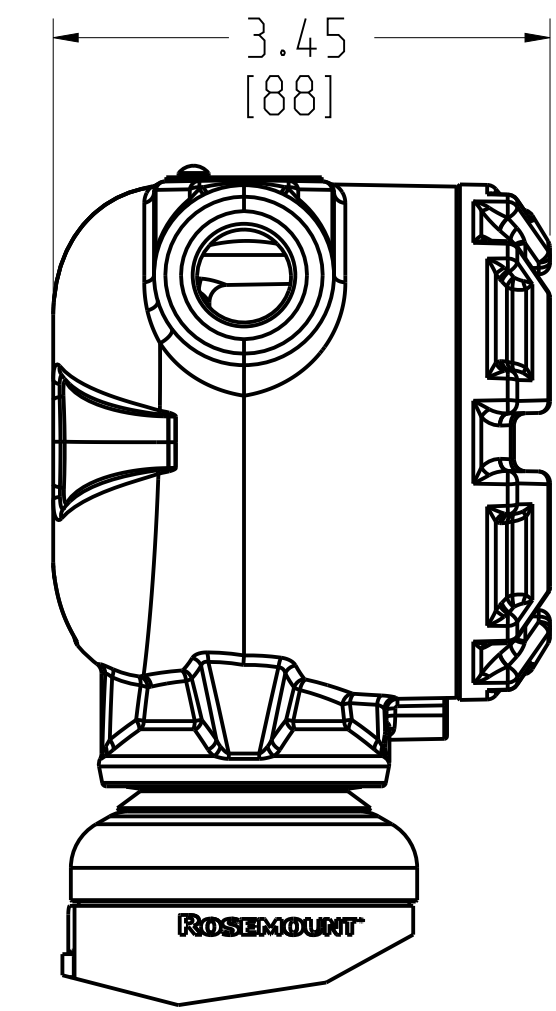
PLANTWEB OR JUNCTION BOX HOUSING



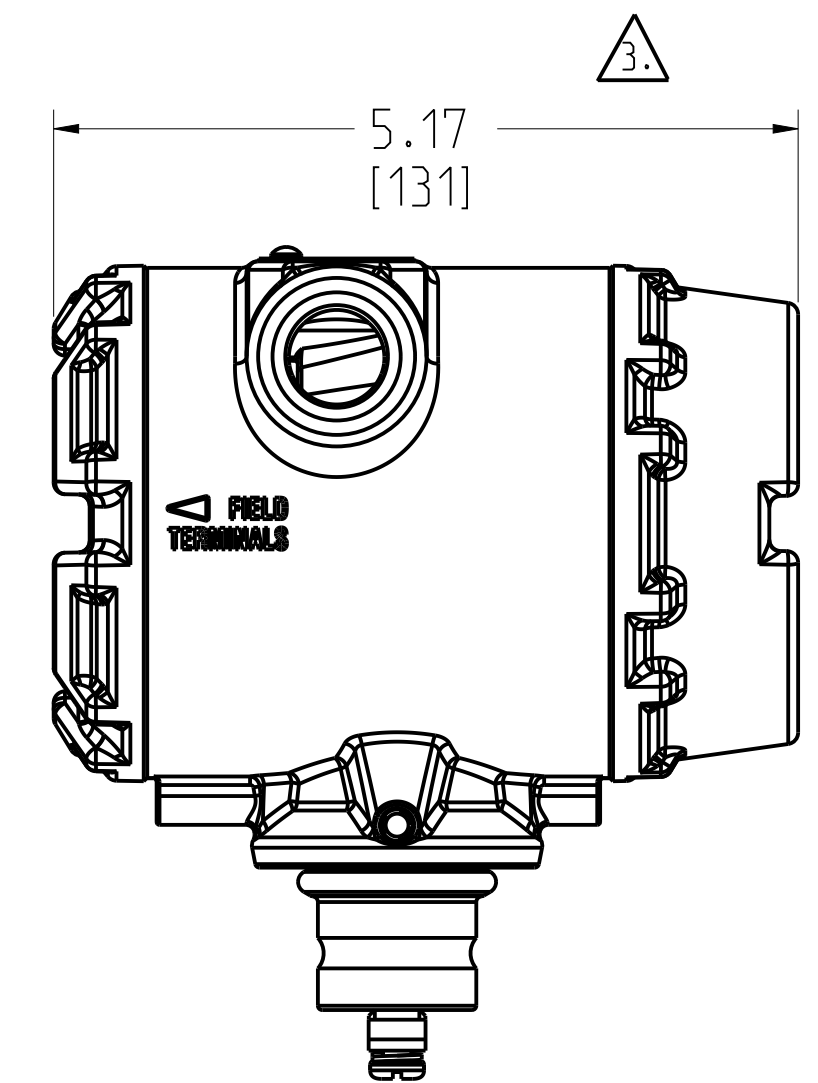
PLANTWEB HOUSING



JUNCTION BOX HOUSING



REMOTE METER HOUSING



POSSIBLE SEAL TYPES ARE INCLUDED IN THIS DRAWING

1/4-18 NPT PROCESS CONNECTION OR
1/2-18 NPT PROCESS CONNECTION w/ OPTIONAL FLANGE ADAPTERS
(DIFFERENTIAL CONFIGURATION ONLY)

WHEN 3051SAL ERS OPTIONS ARE INCLUDED:

- ① THE 3051SAL ERS PRIMARY TRANSMITTER WILL HAVE PLANTWEB HOUSING UNLESS REMOTE DISPLAY IS INCLUDED. WHEN A REMOTE DISPLAY IS INCLUDED THE PRIMARY WILL HAVE A JUNCTION BOX HOUSING.
- ② THE 3051SAL ERS SECONDARY TRANSMITTER WILL ALWAYS HAVE A JUNCTION BOX HOUSING.
- ③ THE 3051SAL REMOTE DISPLAY (WHEN APPLICABLE) WILL ALWAYS HAVE PLANTWEB HOUSING.

NOTES:

- 1. .75 (19) IS REQUIRED TO REMOVE COVERS (EACH SIDE)

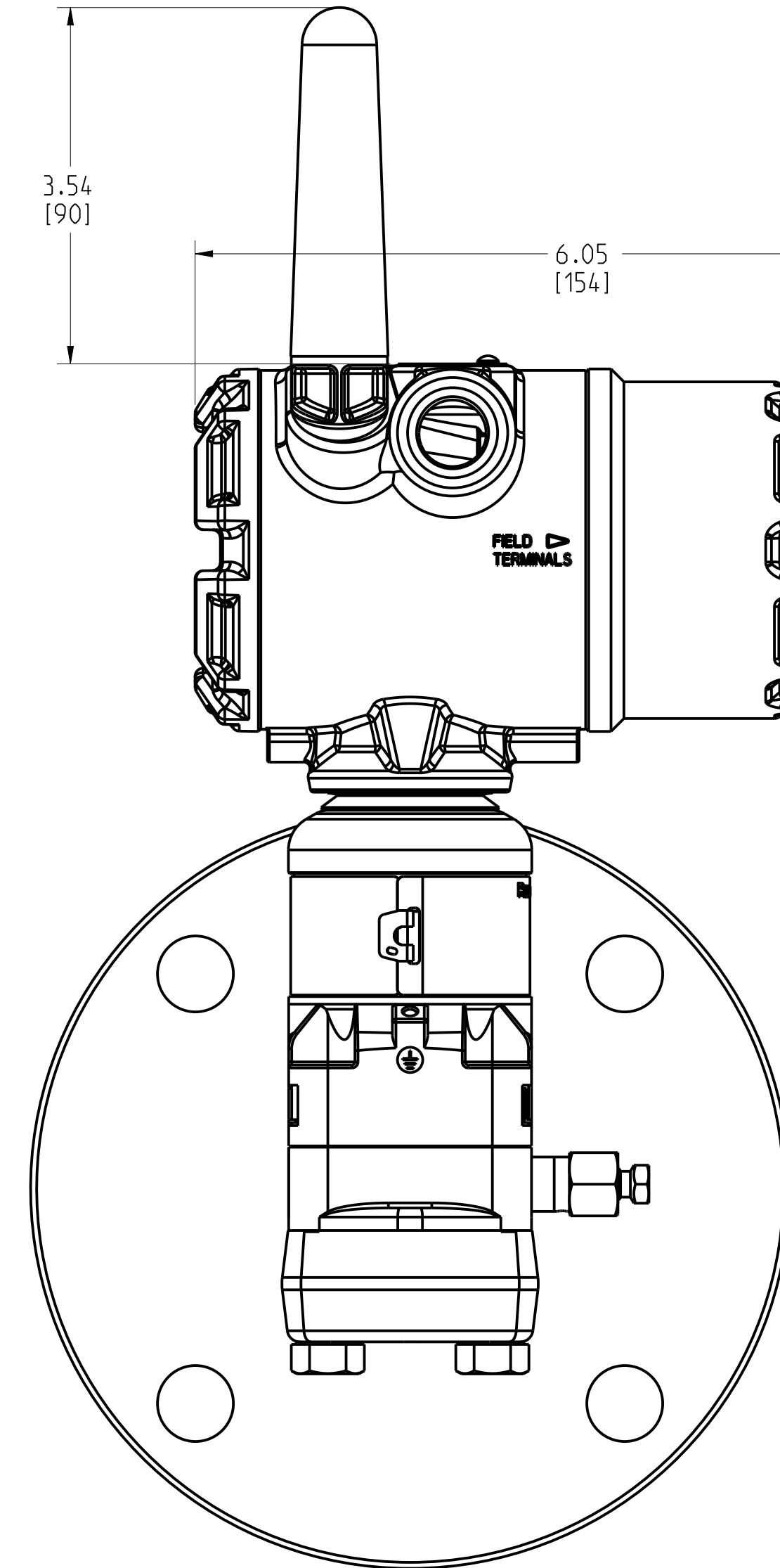
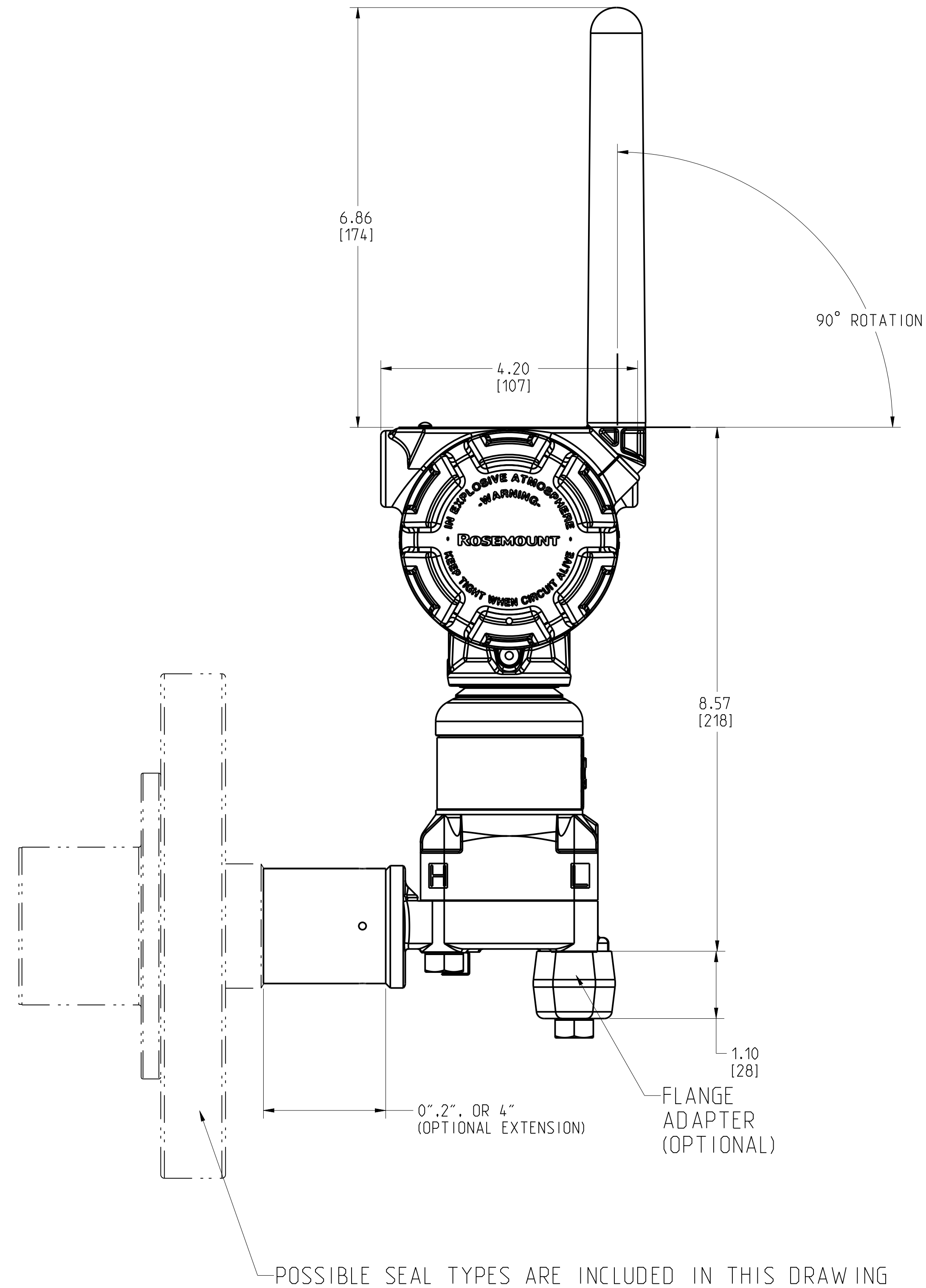
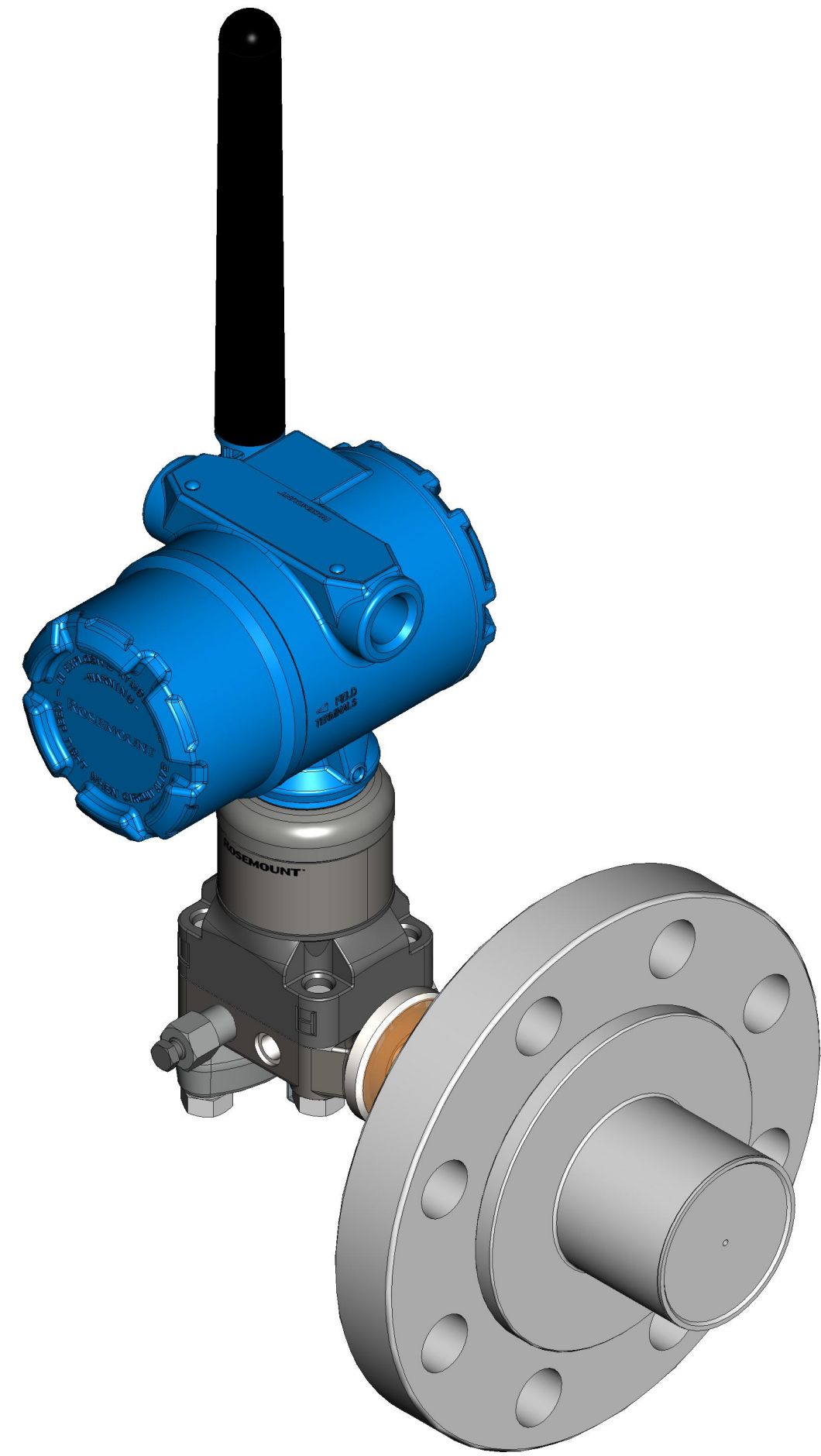
DRAWING NO. 03151-7000

UNLESS OTHERWISE SPECIFIED DIMENSIONS IN INCHES (mm). EMERSON CONFIDENTIAL AND PROPRIETARY INFORMATION. THIS DOCUMENT IS UNCLASSIFIED AND MUST BE HANDLED ACCORDINGLY. EMERSON INFORMATION WITHIN THIS DOCUMENT MAY CHANGE WITHOUT NOTICE. FOR THE LATEST INFORMATION, REFER TO THE ROSEMOUNT PRODUCT DATA SHEETS OR VISIT US ONLINE AT WWW.ROSEMOUNT.COM. EMERSON ENGINEERING CORPORATION.	3RD ANGLE	SIZE D	SCALE 1/3	REV AG
	EMERSON Process Management ROSEMOUNT®			
	TITLE ROSEMOUNT 3051SAL LIQUID LEVEL PRESSURE TRANSMITTER			
	DR. J. ARMSTRONG 2/21/15	DRAWING NO. 03151-7000		
APP'D P. FADELL 3/10/15				CAD MAINTAINED (PRO/E) DOC TYPE D SHEET 1 OF 24

ROSEMOUNT 3051SAL LIQUID LEVEL PRESSURE TRANSMITTER
 WIRELESS COPLANAR FLANGE PROCESS CONNECTION

WIRELESS PLANTWEB HOUSING
 SHOWN WITH 2.4 GHz EXTENDED RANGE ANTENNA
 PLANTWEB HOUSING

WIRELESS PLANTWEB HOUSING
 SHOWN WITH 2.4 GHz STANDARD RANGE ANTENNA

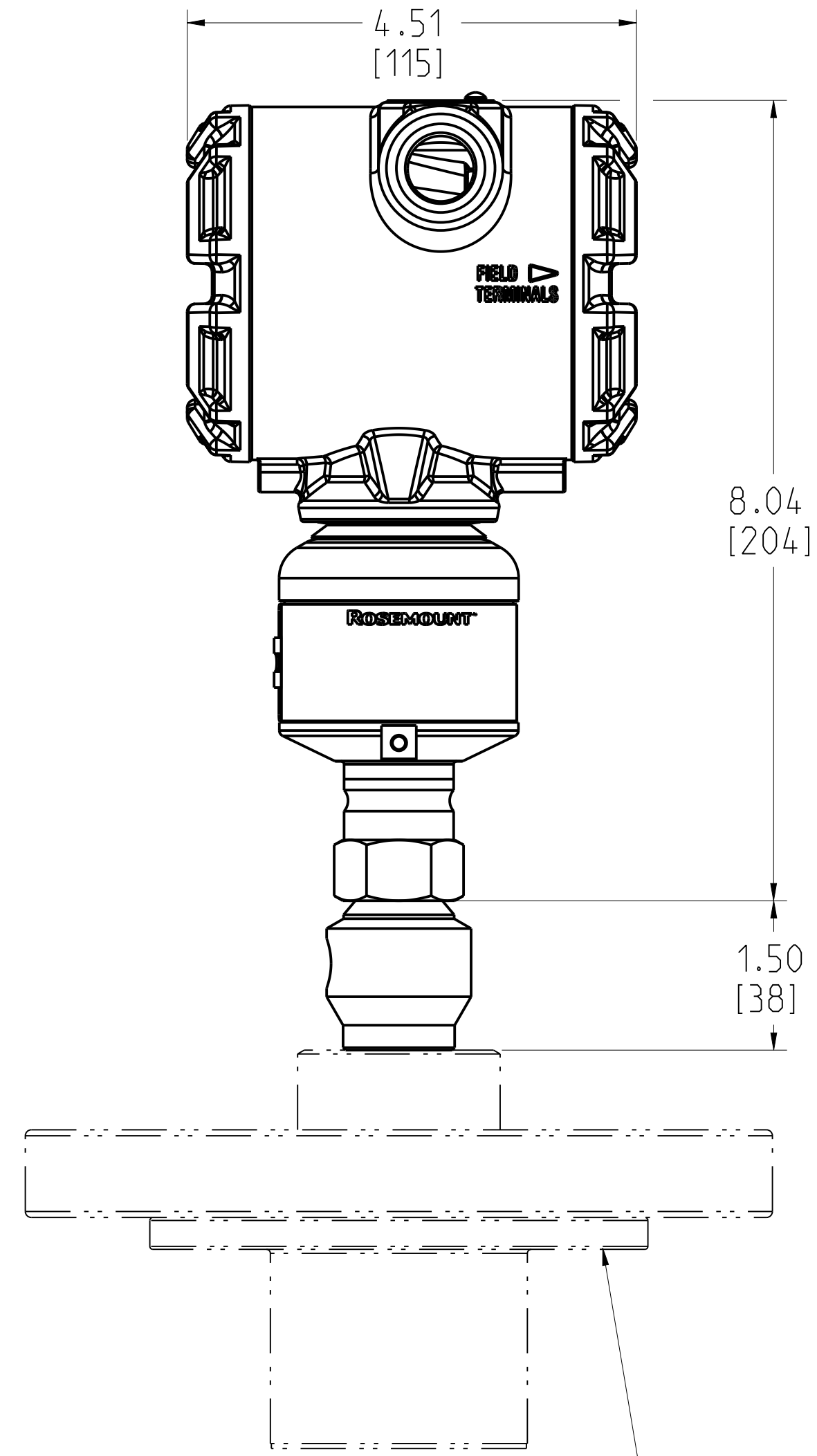


<small>UNLESS OTHERWISE SPECIFIED DIMENSIONS IN INCHES (mm). CONFIDENTIAL AND PROPRIETARY INFORMATION. DO NOT CHANGE WITHOUT EMERSON'S APPROVAL. EMERSON INFORMATION WITHIN THIS DOCUMENT MAY CHANGE WITHOUT NOTICE. FOR THE LATEST INFORMATION, REFER TO THE ROSEMOUNT PRODUCT DATA SHEETS OR VISIT US ONLINE AT WWW.ROSEMOUNT.COM/ENGINEERING INFORMATION.</small>	<small>3RD ANGLE</small> 	<small>SIZE</small> D	<small>SCALE</small> 1/4	<small>REV</small> AG
	EMERSON Process Management ROSEMOUNT			
	TITLE ROSEMOUNT 3051SAL LIQUID LEVEL PRESSURE TRANSMITTER			
	DR. J. ARMSTRONG 2/21/15 APP'D P. FADELL 3/10/15	DRAWING NO. 03151-7000		
<small>CAD MAINTAINED. (PRO/EI)</small>		<small>DOC TYPE</small> D	<small>SHEET 2 OF 24</small>	

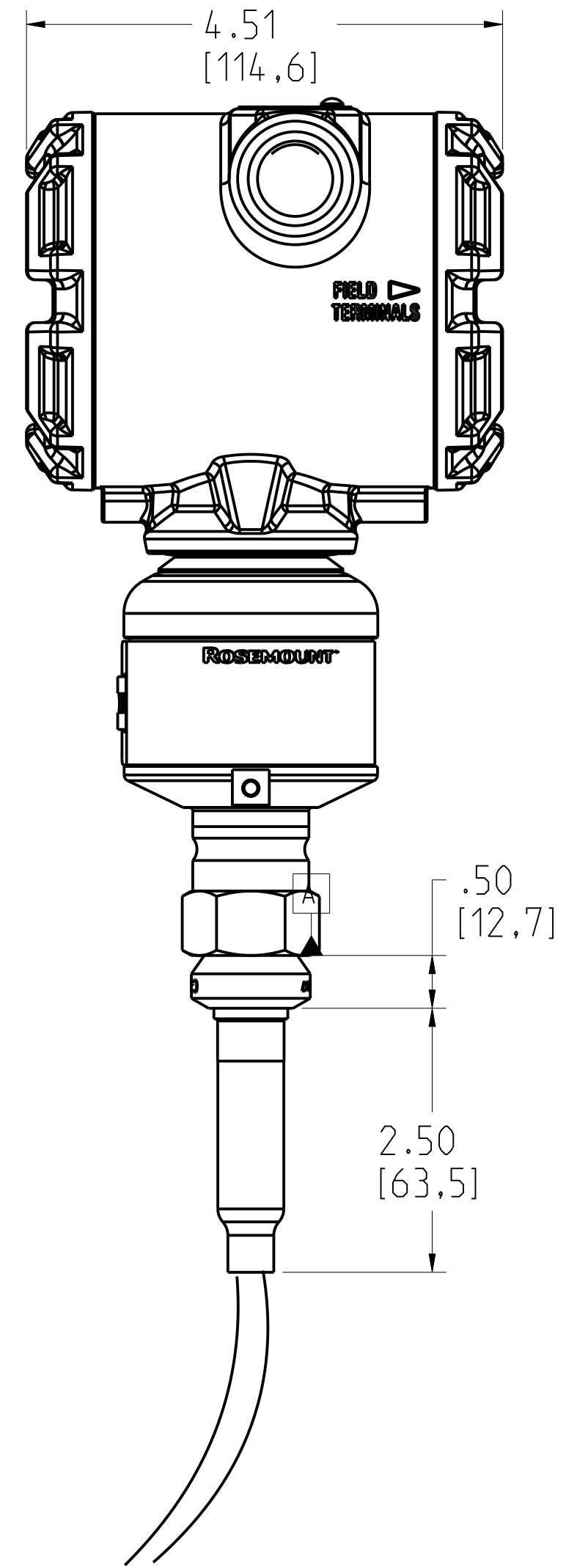
DRAWING NO. 03151-7000

ROSEMOUNT 3051SAL IN-LINE LIQUID LEVEL PRESSURE TRANSMITTER
 IN-LINE PROCESS CONNECTION

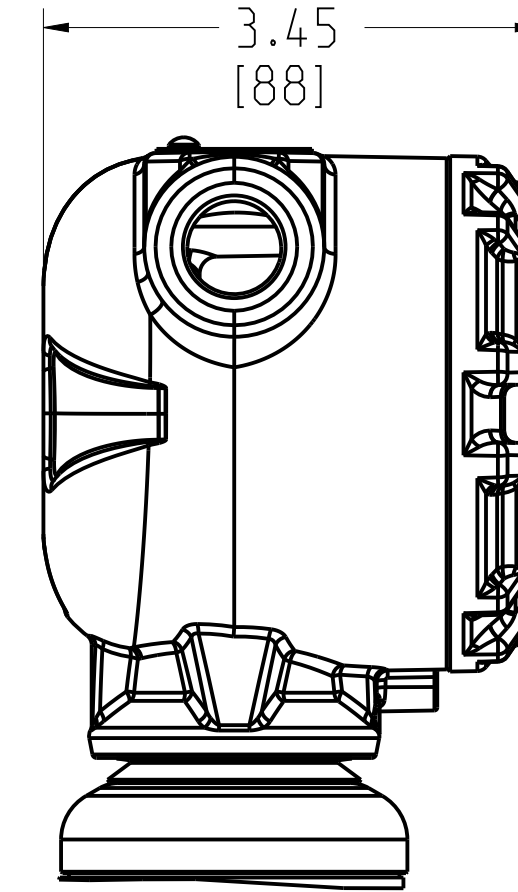
DIRECT CONNECTION SHOWN
 WITH 3051ST IN-LINE



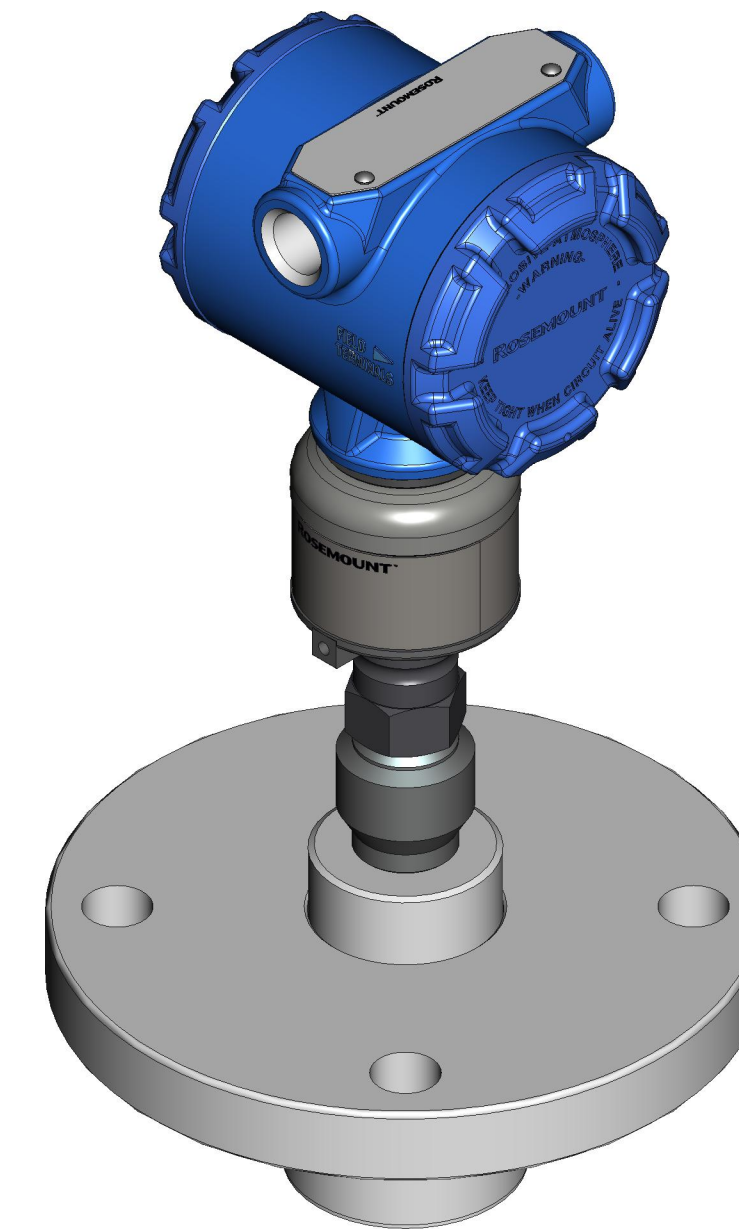
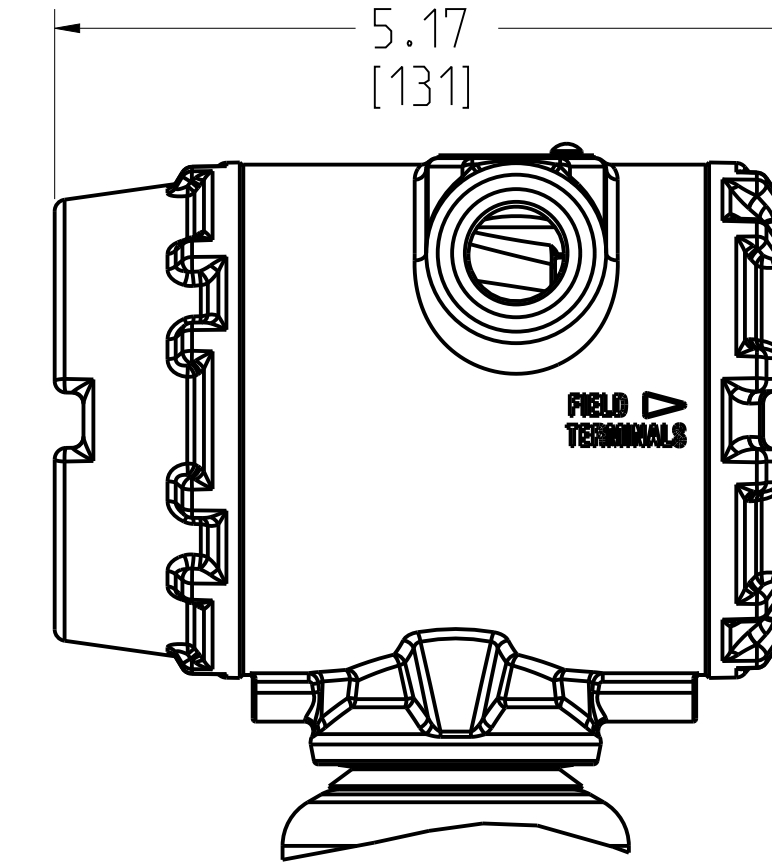
CAPILLARY CONNECTION SHOWN
 WITH 3051ST IN-LINE



JUNCTION BOX HOUSING



PLANTWEB HOUSING

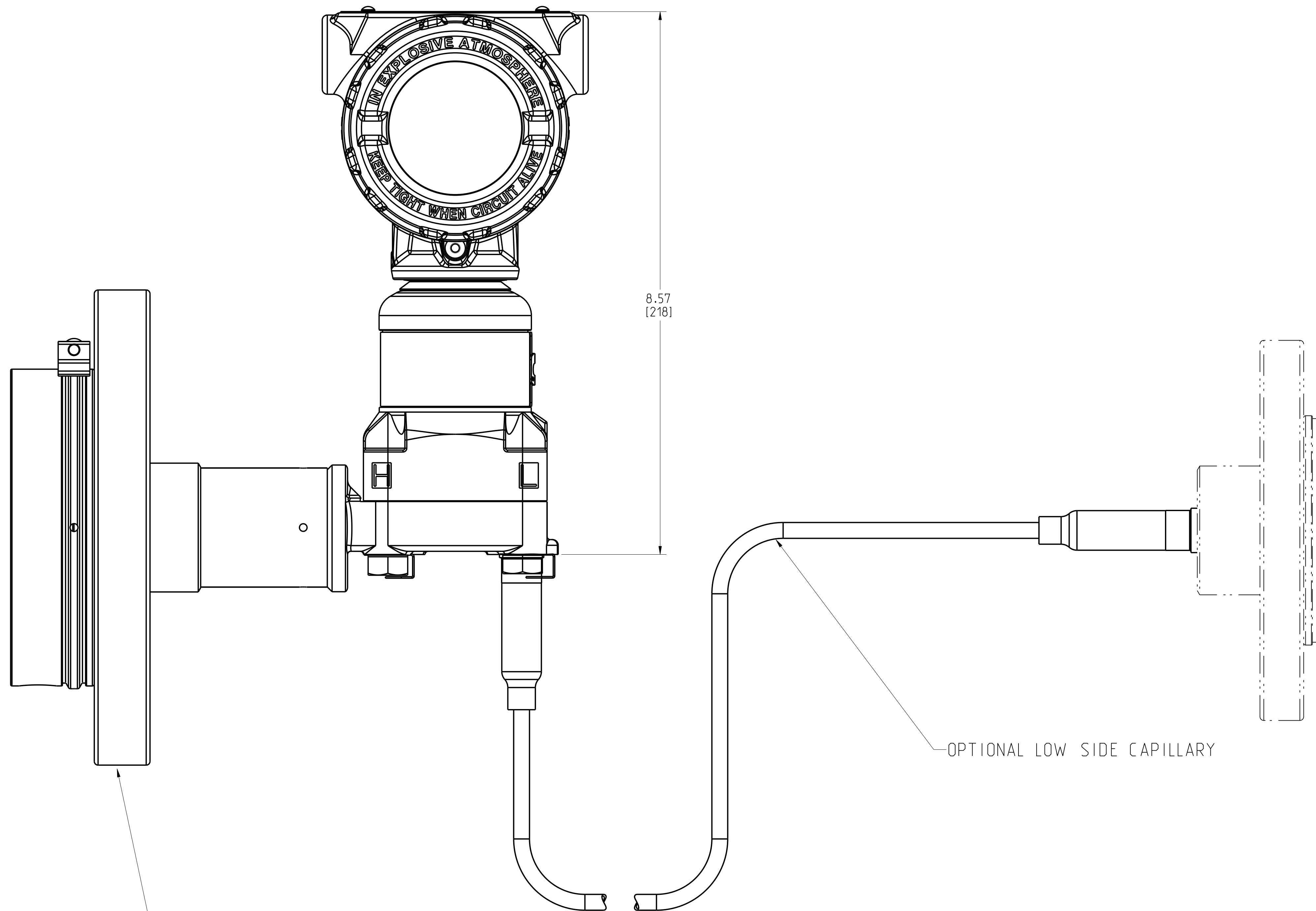


POSSIBLE SEAL TYPES ARE
 INCLUDED IN THIS DRAWING

DRAWING NO. 03151-7000

UNLESS OTHERWISE SPECIFIED DIMENSIONS IN INCHES (mm). CONFIDENTIAL AND PROPRIETARY INFORMATION. REPRODUCTION AND MUST BE HANDLED ACCORDINGLY. EMERSON	3RD ANGLE	SIZE D	SCALE 1/3	REV AG
	EMERSON Process Management ROSEMOUNT®			
	TITLE ROSEMOUNT 3051SAL LIQUID LEVEL PRESSURE TRANSMITTER			
	DR. J. ARMSTRONG	2/21/15	DRAWING NO. 03151-7000	
APP'D P. FADELL	3/10/15			
CAD MAINTAINED (PRO/E)		DOC TYPE D	SHEET 3 OF 24	

ROSEMOUNT 3051SAL LIQUID LEVEL PRESSURE TRANSMITTER
 COPLANAR FLANGE PROCESS CONNECTION WITH LOW SIDE CAPILLARY
 CONNECTION



8.57
 (218)

OPTIONAL LOW SIDE CAPILLARY

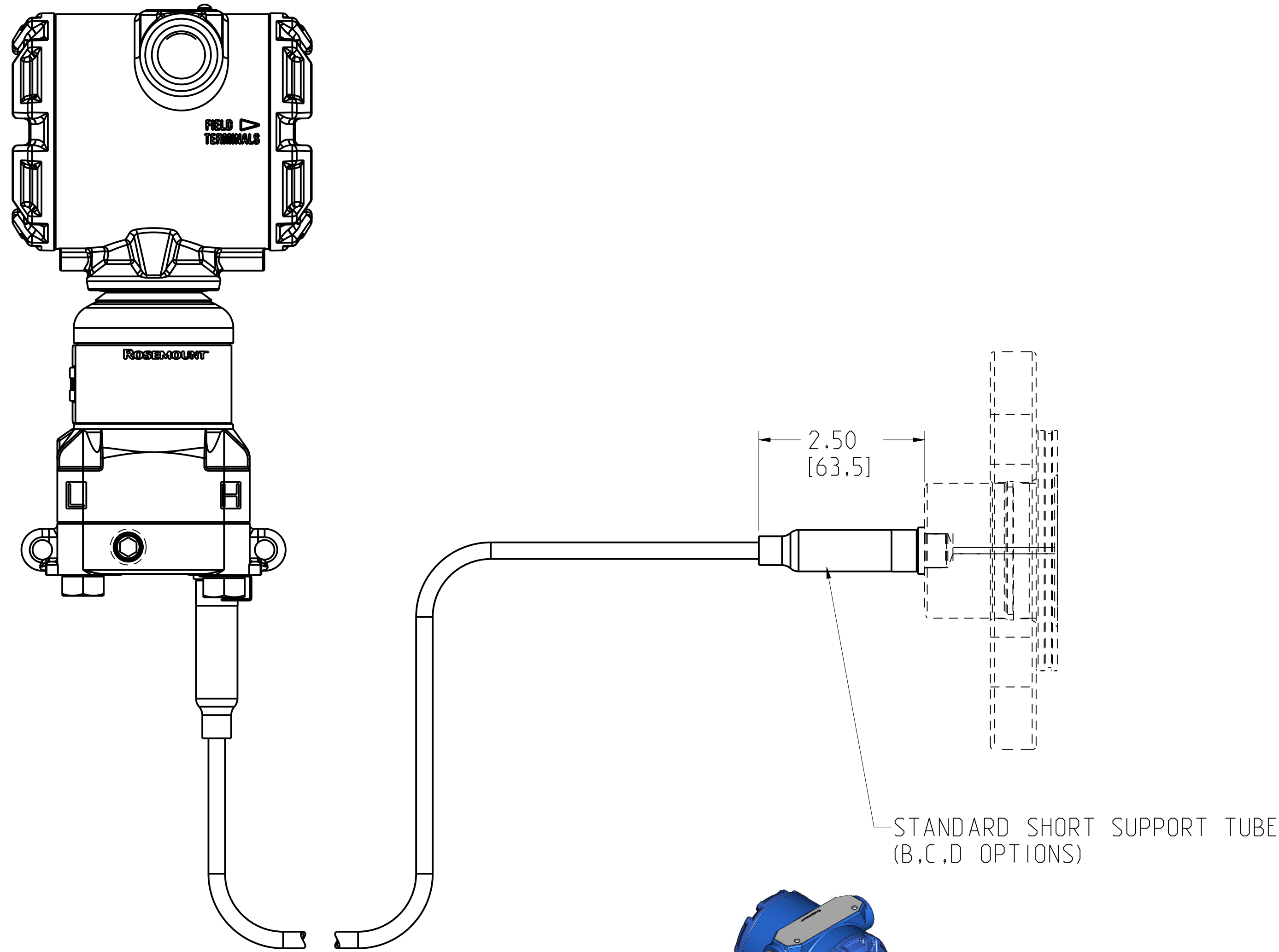
POSSIBLE SEAL TYPES ARE
 INCLUDED IN THIS DRAWING

UNLESS OTHERWISE SPECIFIED DIMENSIONS IN INCHES (mm). CONFIDENTIAL AND PROPRIETARY INFORMATION. NOT TO BE REPRODUCED OR TRANSMITTED IN ANY FORM OR BY ANY MEANS, ELECTRONIC OR MECHANICAL, INCLUDING PHOTOCOPYING, RECORDING, AND MUST BE HANDLED ACCORDINGLY. EMERSON	3RD ANGLE		SIZE D	SCALE 1/3	REV AG
	EMERSON Process Management ROSEMOUNT®				
	TITLE ROSEMOUNT 3051SAL LIQUID LEVEL PRESSURE TRANSMITTER				
	DR. J. ARMSTRONG	2/21/15	DRAWING NO.		03151-7000
APP'D P. FADELL	3/10/15	DOC TYPE D		SHEET 4 OF 24	

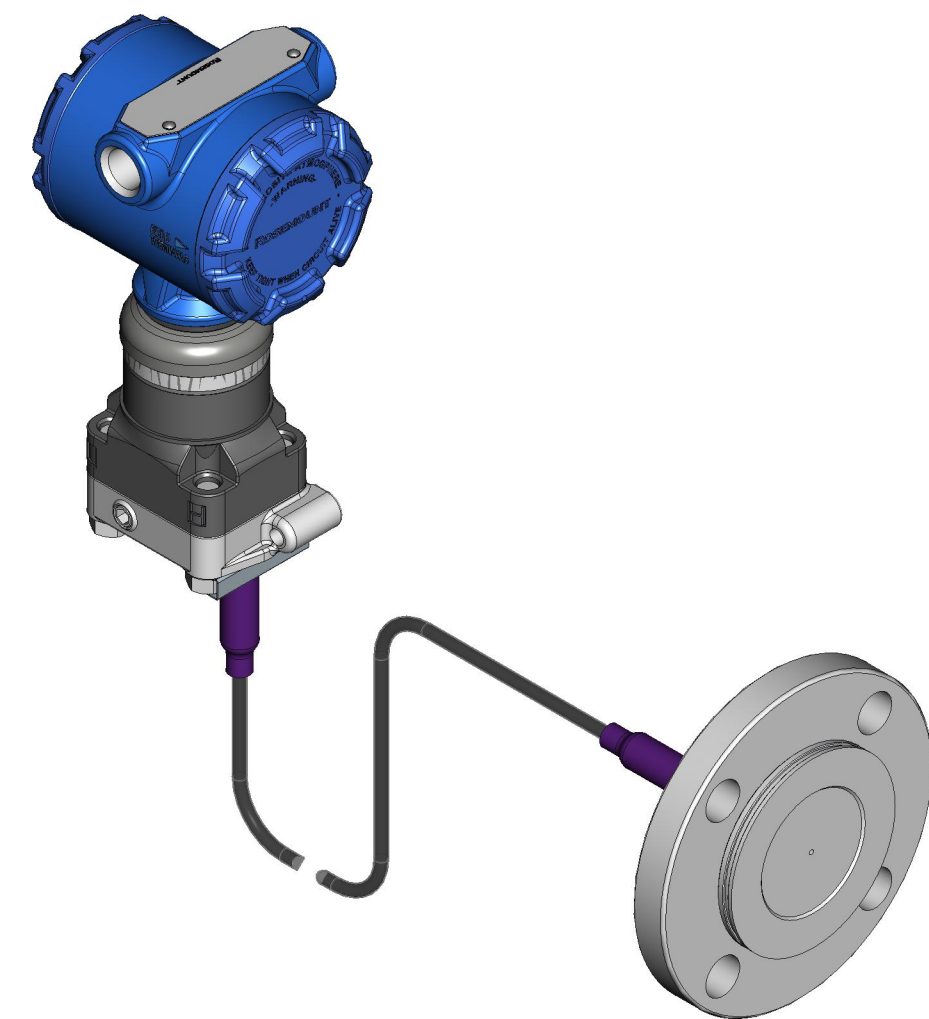
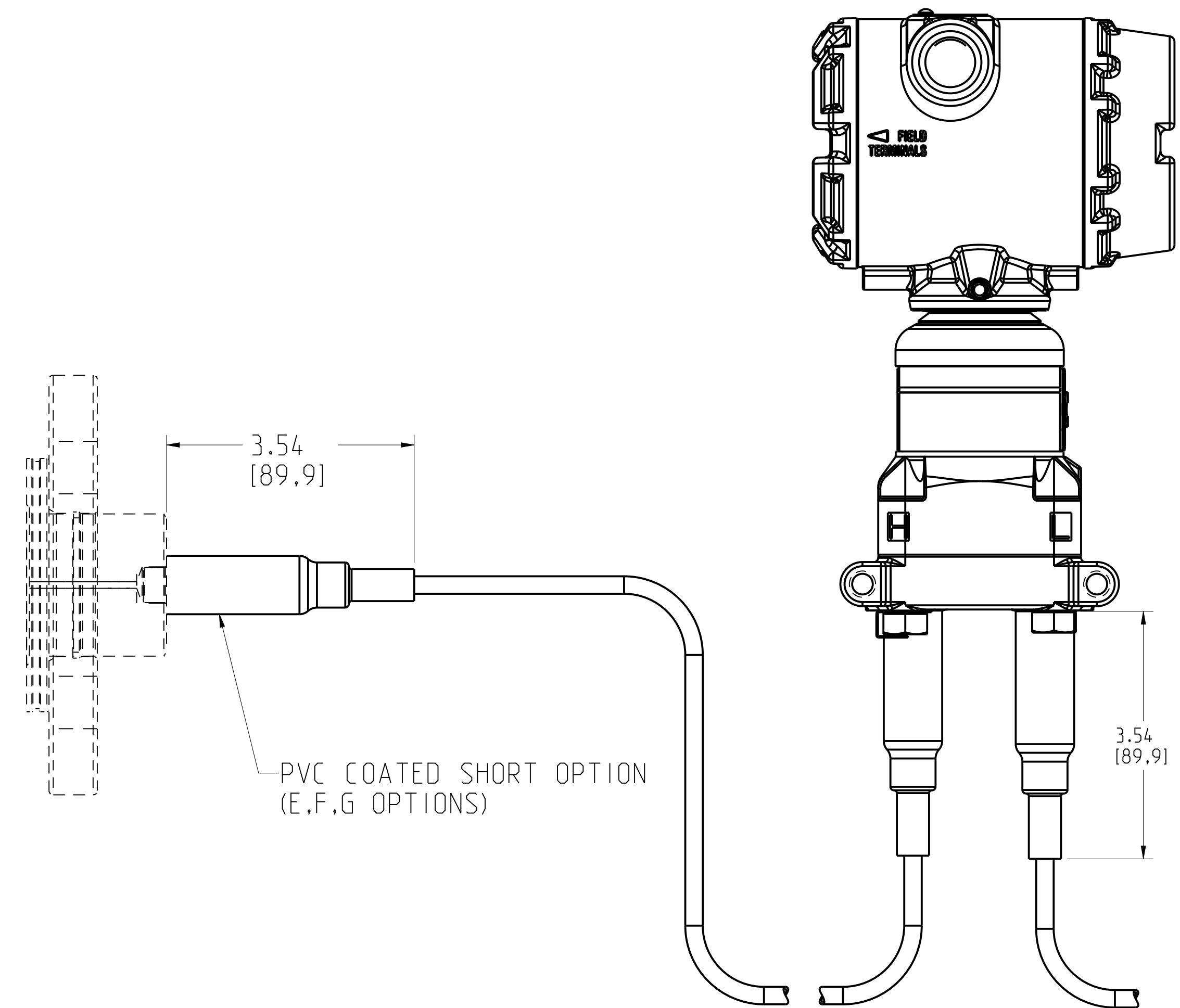
DRAWING NO.
 03151-7000

ROSEMOUNT 3051SAL LIQUID LEVEL PRESSURE TRANSMITTER
 COPLANAR FLANGE PROCESS CONNECTION WITH CAPILLARY CONNECTIONS

CAPILLARY CONNECTION SHOWN
 ON HIGH SIDE WITH 3051SC
 STANDARD CONNECTION



DUAL CAPILLARY CONNECTION SHOWN
 WITH 3051SC STANDARD CONNECTION

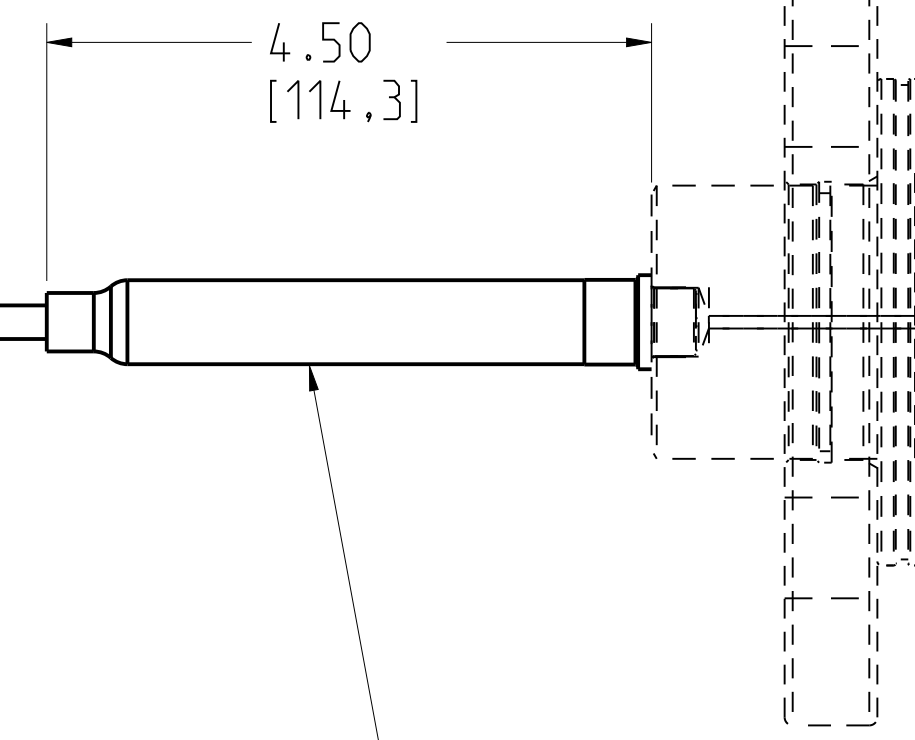
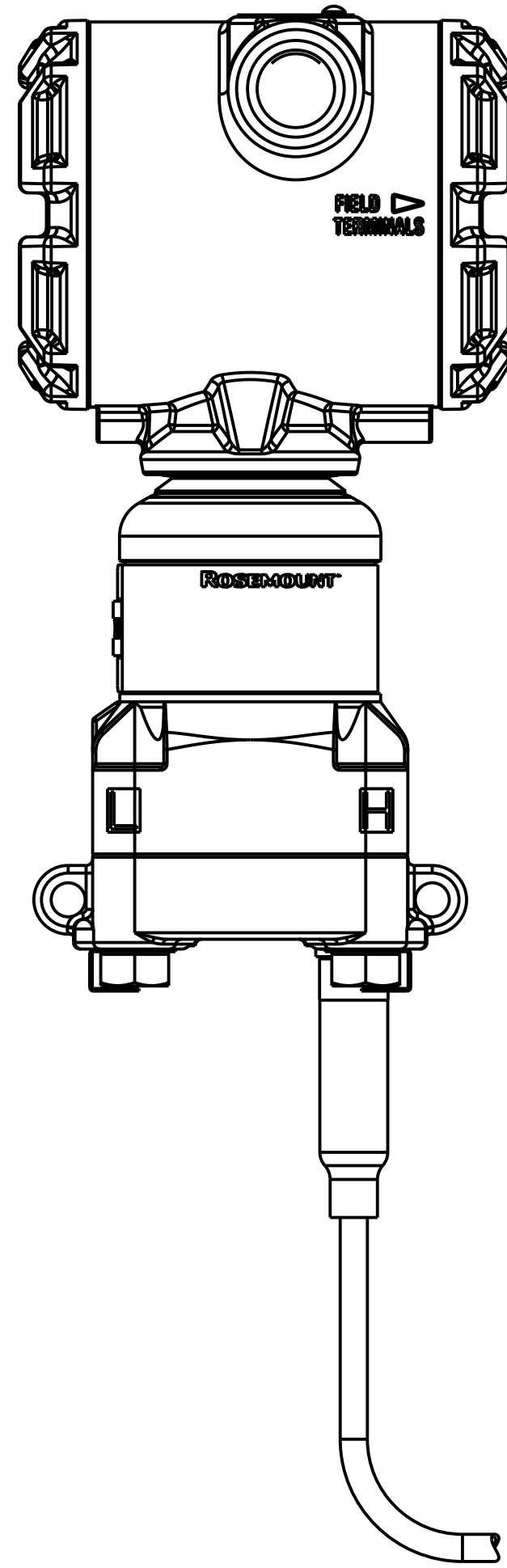


UNLESS OTHERWISE SPECIFIED DIMENSIONS IN INCHES (mm). CONFIDENTIAL AND PROPRIETARY INFORMATION. REUSE, REPRODUCTION AND DISTRIBUTION IS PROHIBITED. EMERSON INFORMATION WITHIN THIS DOCUMENT IS UNCLASSIFIED UNLESS INDICATED OTHERWISE. ENGINEERING USE - REFERENCE ROSEMOUNT PRODUCT DATA SHEETS FOR COMPLETE INFORMATION.	3RD ANGLE	SIZE D	SCALE 1/3	REV AG
	EMERSON Process Management ROSEMOUNT®			
	TITLE ROSEMOUNT 3051SAL LIQUID LEVEL PRESSURE TRANSMITTER			
	DR. J. ARMSTRONG	2/21/15	DRAWING NO.	03151-7000
APP'D P. FADELL	3/10/15			
CAD MAINTAINED: (PRO/E)		DOC TYPE D	SHEET 5 OF 24	

DRAWING NO. 03151-7000

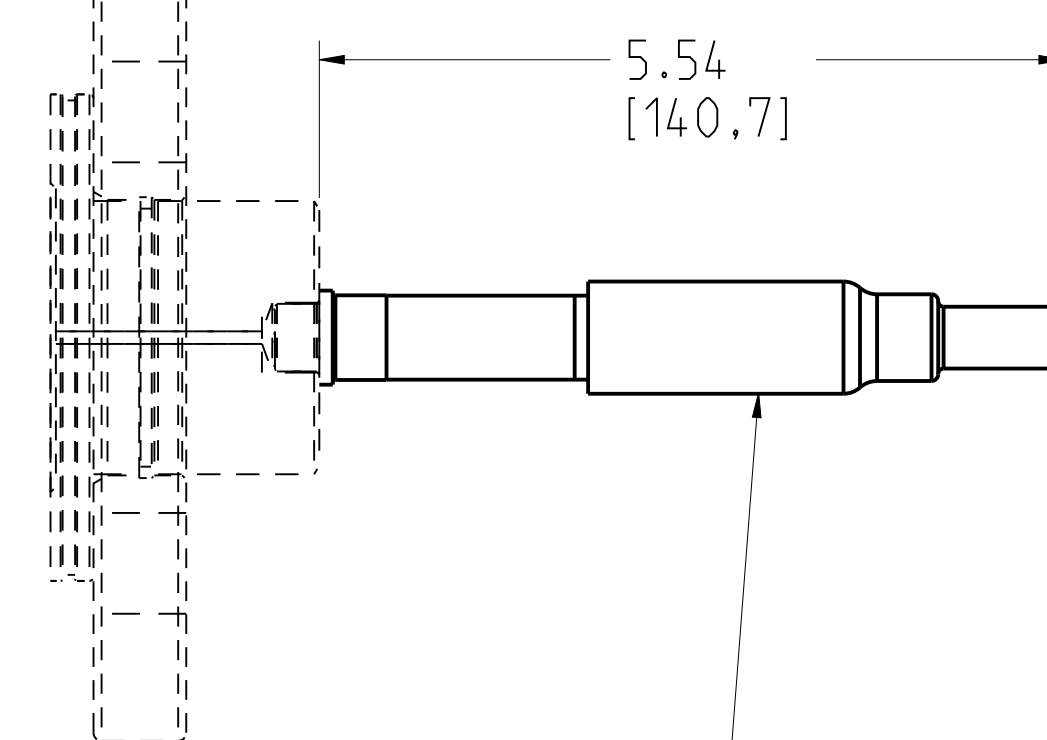
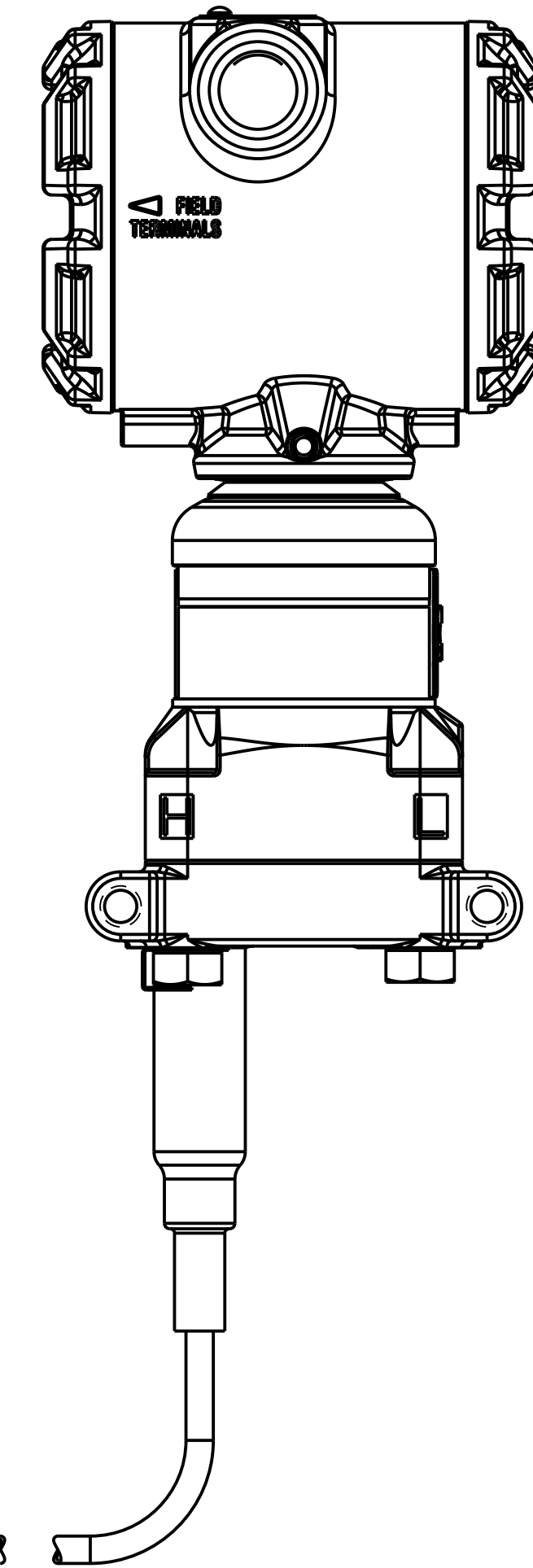
ROSEMOUNT 3051SAL LIQUID LEVEL PRESSURE TRANSMITTER
 COPLANAR FLANGE PROCESS CONNECTION WITH HIGH SIDE CAPILLARY
 CONNECTION

CAPILLARY CONNECTION SHOWN
 ON HIGH SIDE WITH 3051SC
 STANDARD CONNECTION

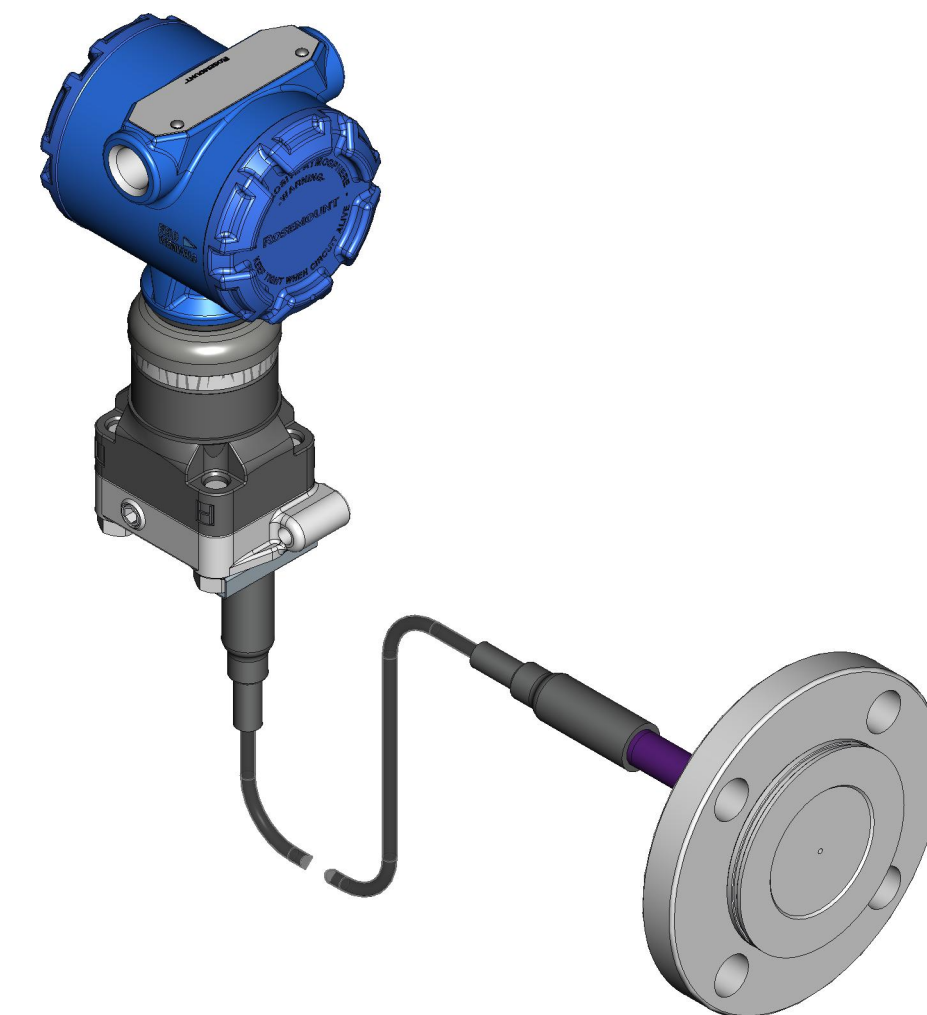


STANDARD LONG SUPPORT TUBE
 (H,J,K OPTIONS)

CAPILLARY CONNECTION SHOWN
 ON HIGH SIDE WITH 3051SC
 STANDARD CONNECTION



PVC COATED LONG OPTION
 (M,N,P OPTIONS)

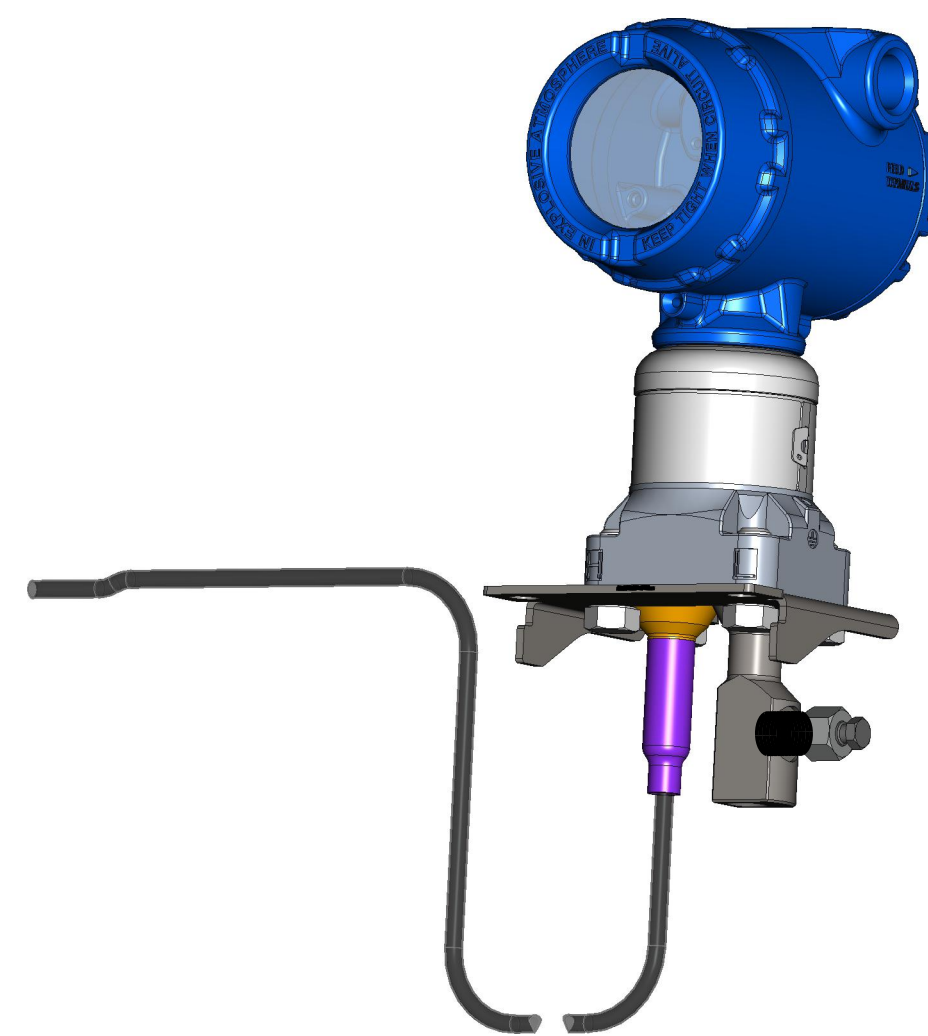
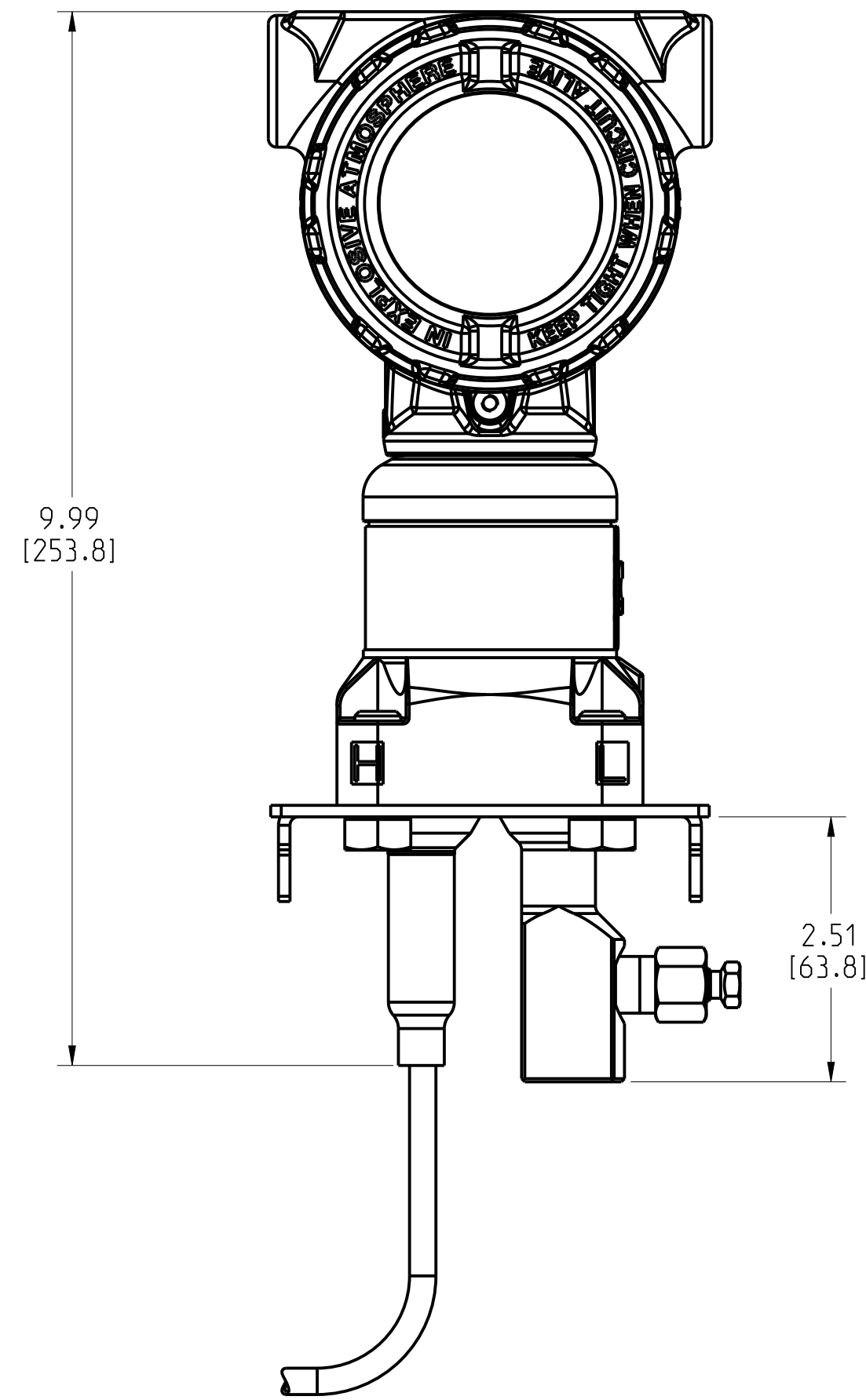


DRAWING NO. 03151-7000

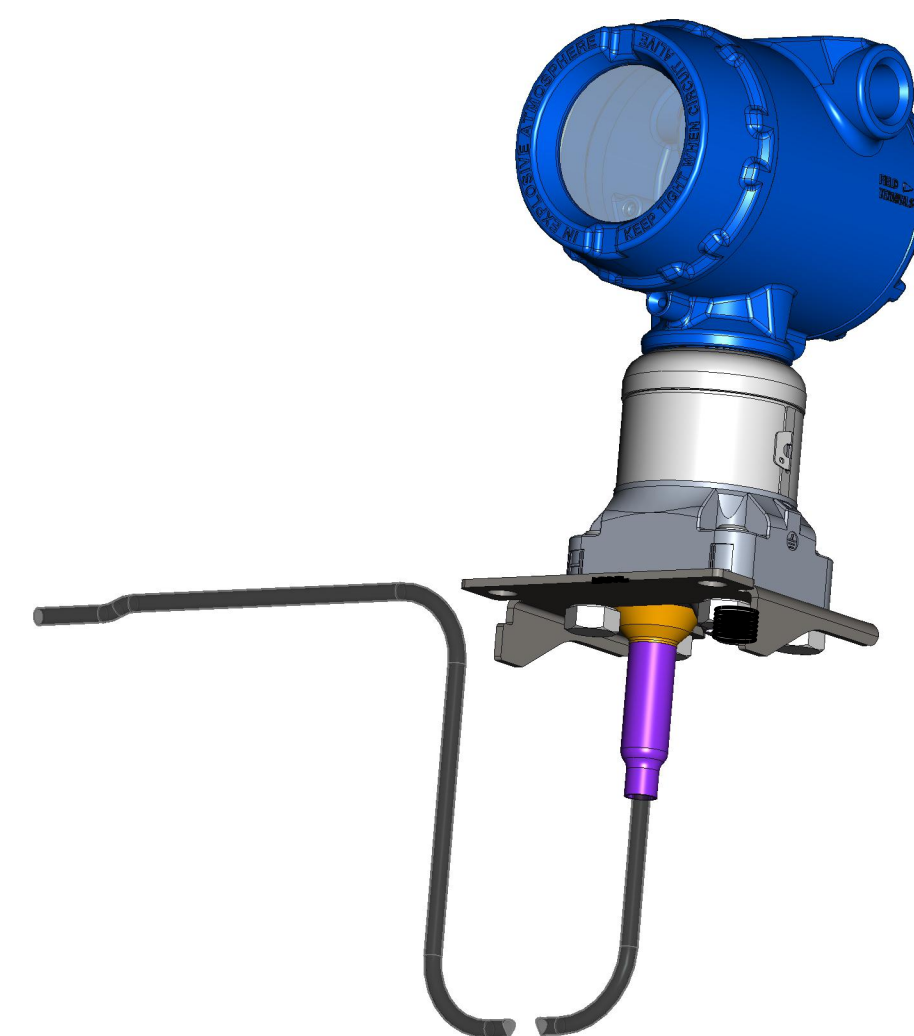
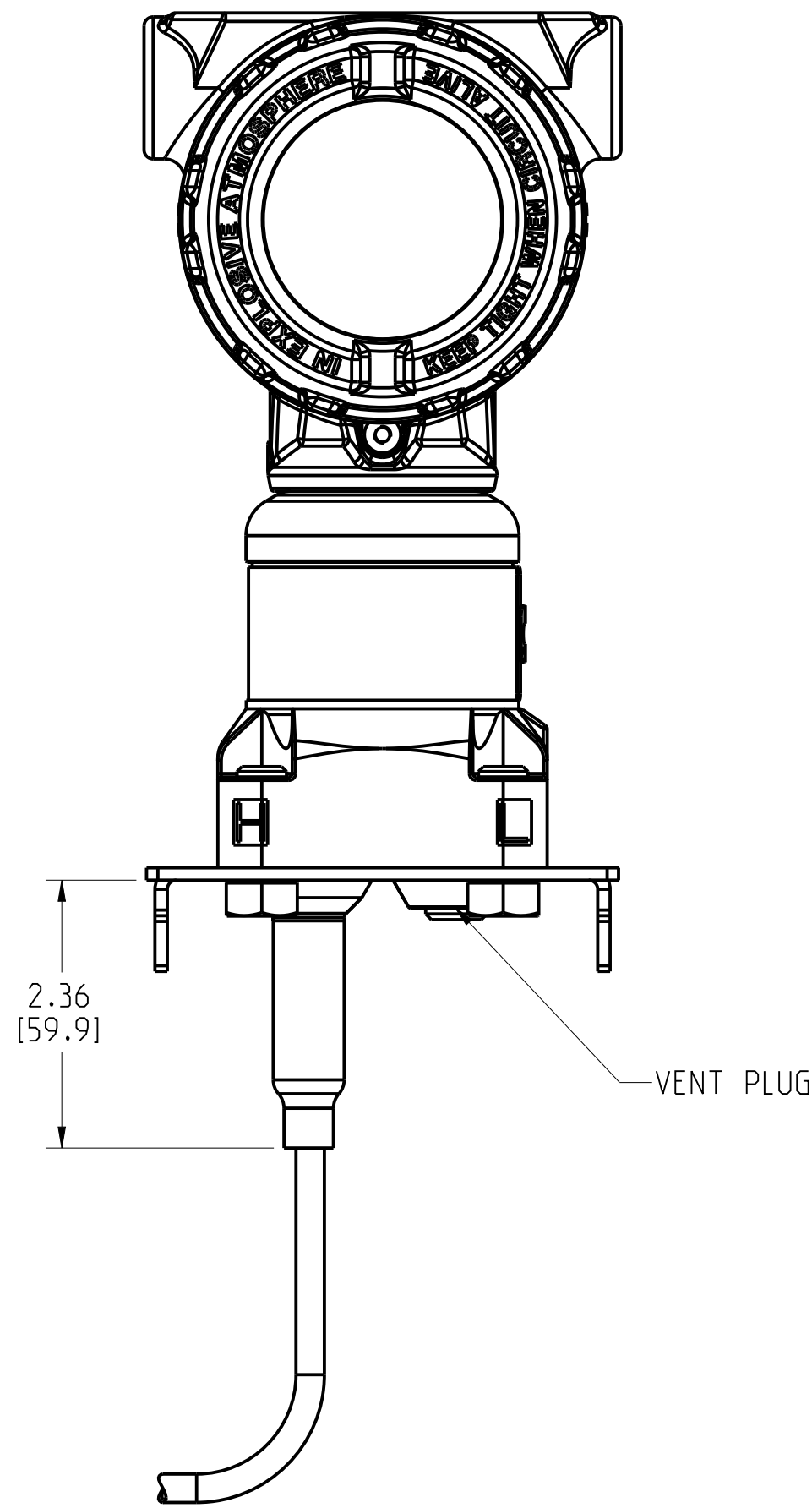
UNLESS OTHERWISE SPECIFIED DIMENSIONS IN INCHES (mm). CONFIDENTIAL AND PROPRIETARY INFORMATION. REPRODUCTION AND USE IS PROHIBITED. EMERSON	3RD ANGLE	SIZE D	SCALE 1/4	REV AG
	EMERSON Process Management ROSEMOUNT®			
	TITLE ROSEMOUNT 3051SAL LIQUID LEVEL PRESSURE TRANSMITTER			
	DR. J. ARMSTRONG	2/21/15	DRAWING NO.	03151-7000
APP'D P. FADELL	3/10/15			
CAD MAINTAINED. (PRO/EI)		DOC TYPE D	SHEET 6 OF 24	

ROSEMOUNT 3051SAL LIQUID LEVEL PRESSURE TRANSMITTER
 COPLANAR PROCESS CONNECTION WITH ALL-WELDED CAPILLARY
 CONNECTION TYPE (TRANSMITTER END)

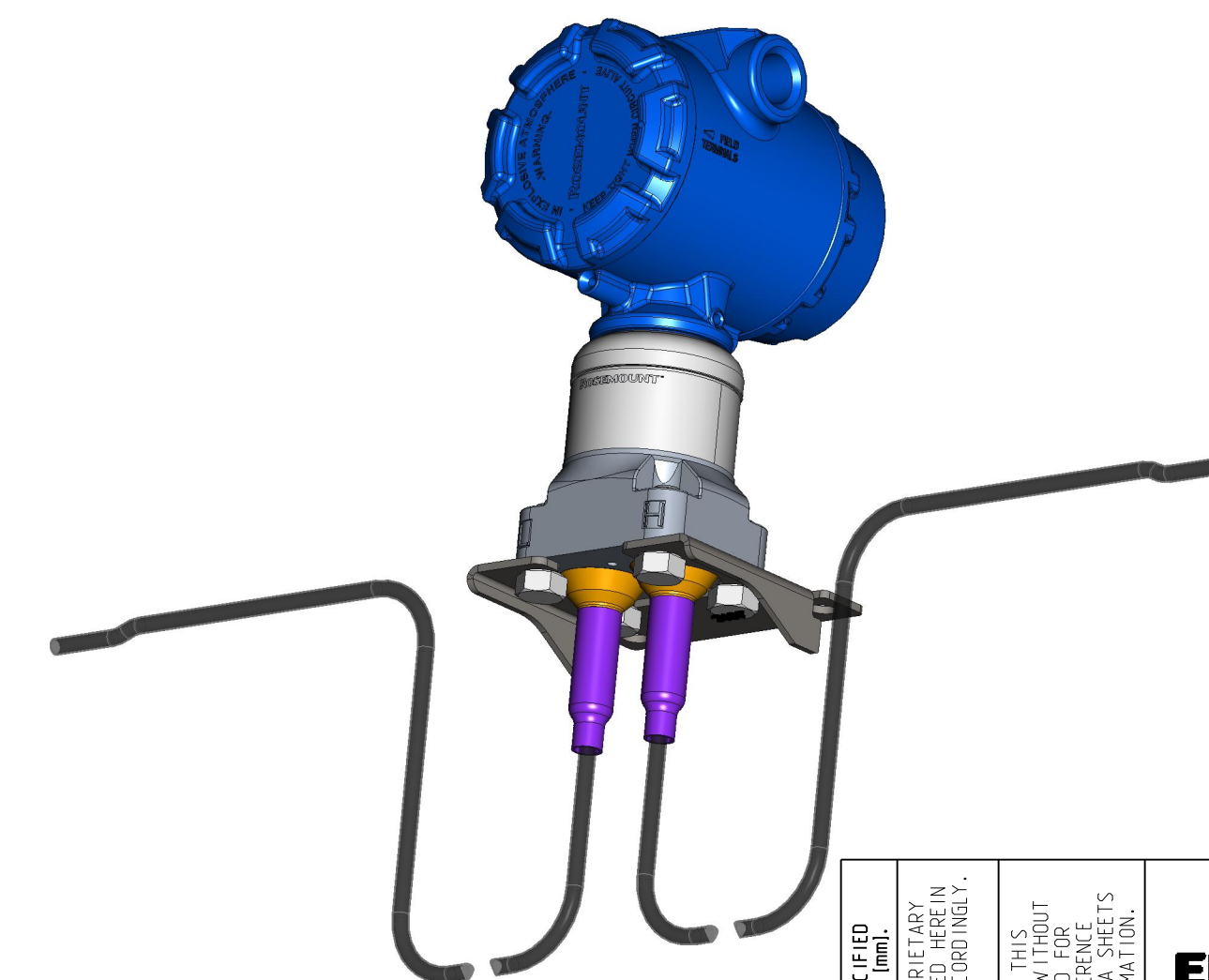
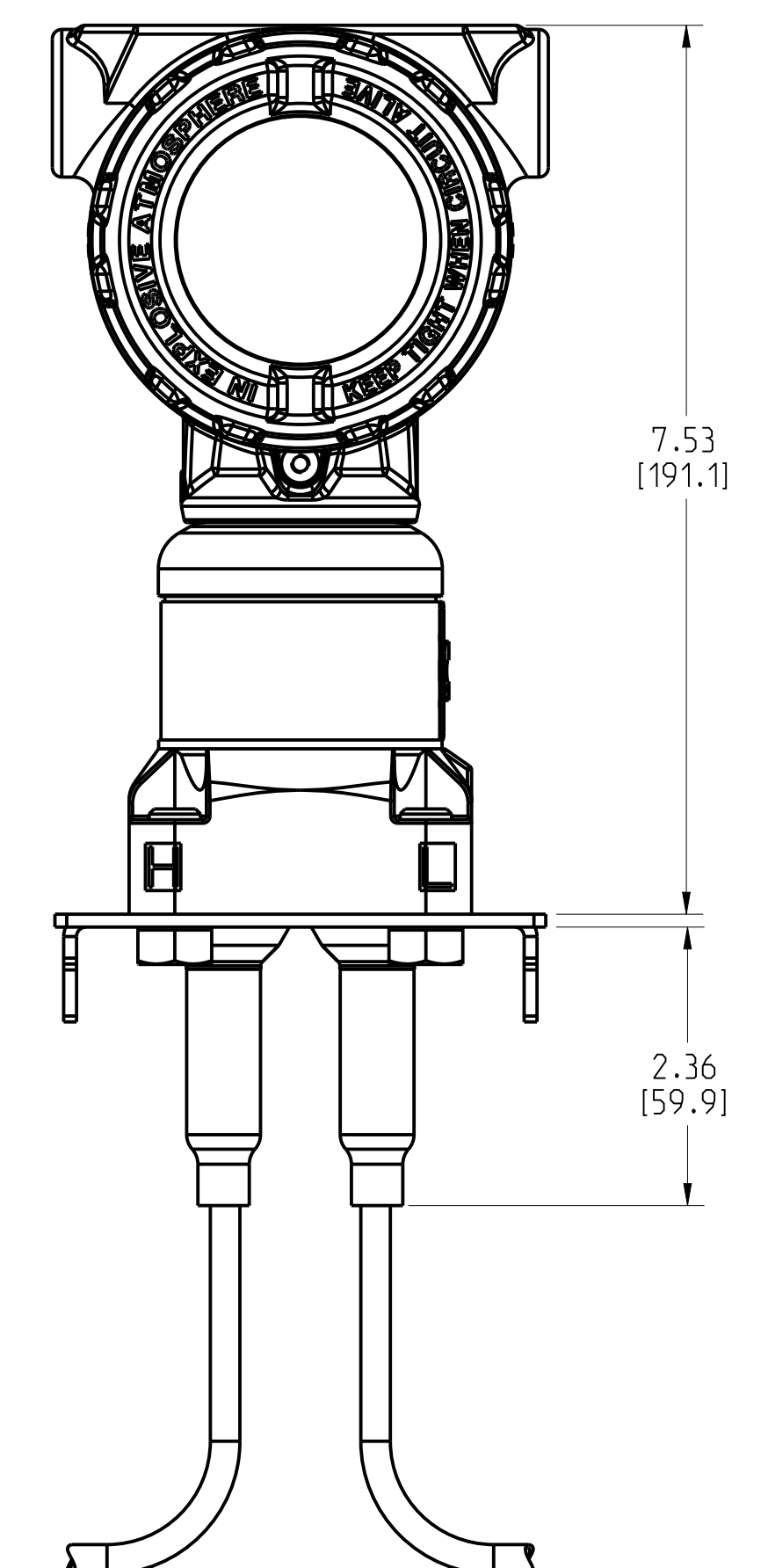
CAPILLARY CONNECTION SHOWN ON
 TRANSMITTER HIGH SIDE
 (DRAIN/VENT VALVE DESIGN FOR DP
 MEASUREMENT)



CAPILLARY CONNECTION SHOWN ON
 TRANSMITTER HIGH SIDE
 (GP/AP MEASUREMENT)



CAPILLARY CONNECTION SHOWN ON
 TRANSMITTER HIGH SIDE AND
 LOW SIDE



UNLESS OTHERWISE SPECIFIED
 DIMENSIONS IN INCHES (mm).

CONFIDENTIAL AND PROPRIETARY
 INFORMATION. IT IS THE PROPERTY OF
 EMERSON. IT IS TO BE USED ONLY FOR THE
 PROJECT AND SITE SPECIFIC FOR WHICH
 IT WAS PREPARED. IT IS NOT TO BE
 REPRODUCED, COPIED, OR
 TRANSMITTED IN ANY FORM OR BY
 ANY MEANS, ELECTRONIC OR
 MECHANICAL, INCLUDING PHOTOCOPYING,
 RECORDING, OR BY ANY INFORMATION
 STORAGE AND RETRIEVAL SYSTEM.

3RD ANGLE

EMERSON
 Process Management

ROSEMOUNT®

TITLE ROSEMOUNT 3051SAL LIQUID
 LEVEL PRESSURE TRANSMITTER

DR. J. ARMSTRONG 2/21/15 DRAWING NO. 03151-7000

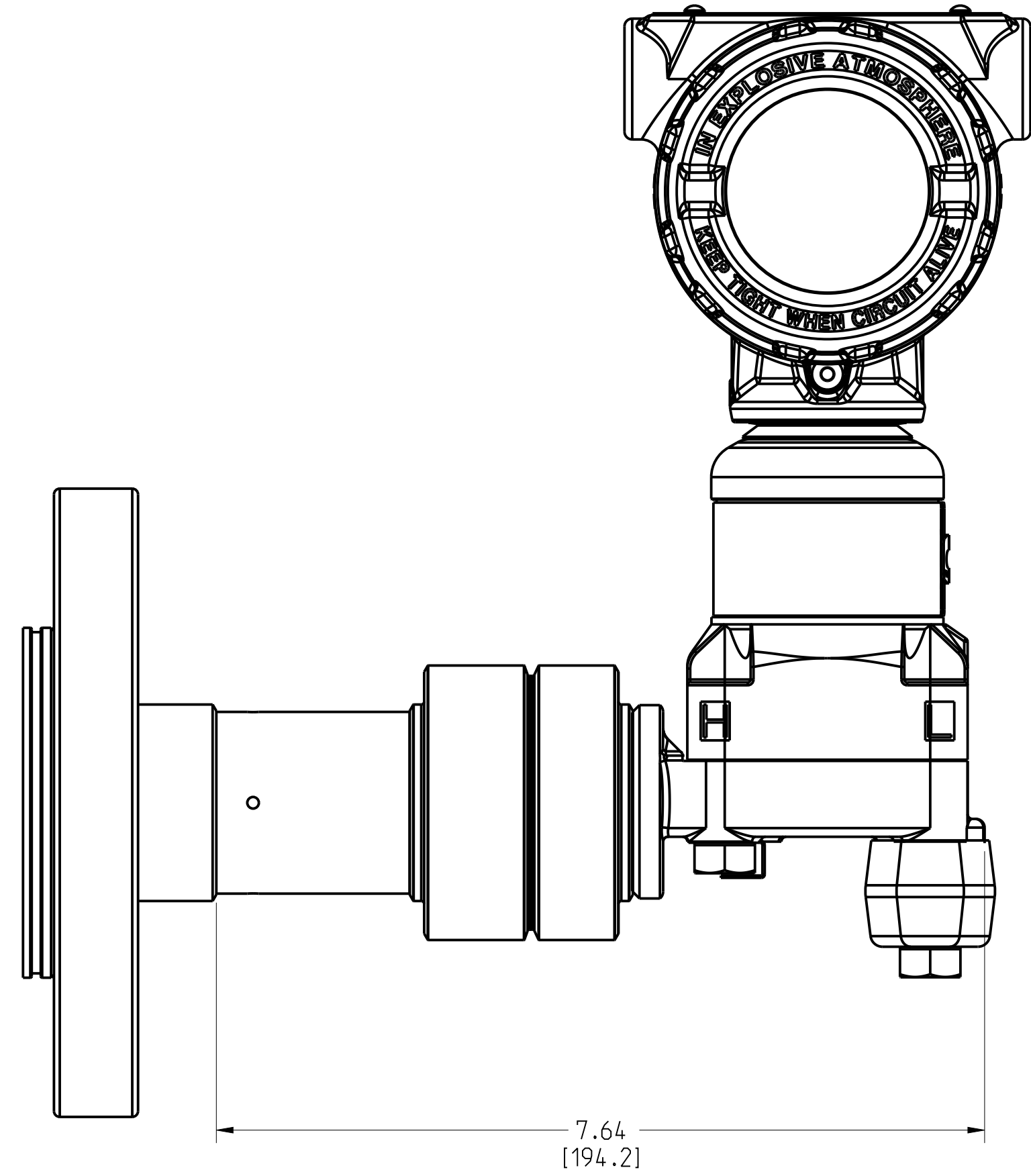
APP'D P. FADELL 3/10/15

CAD MAINTAINED (PRO/EI) DOC TYPE D SHEET 7 OF 24

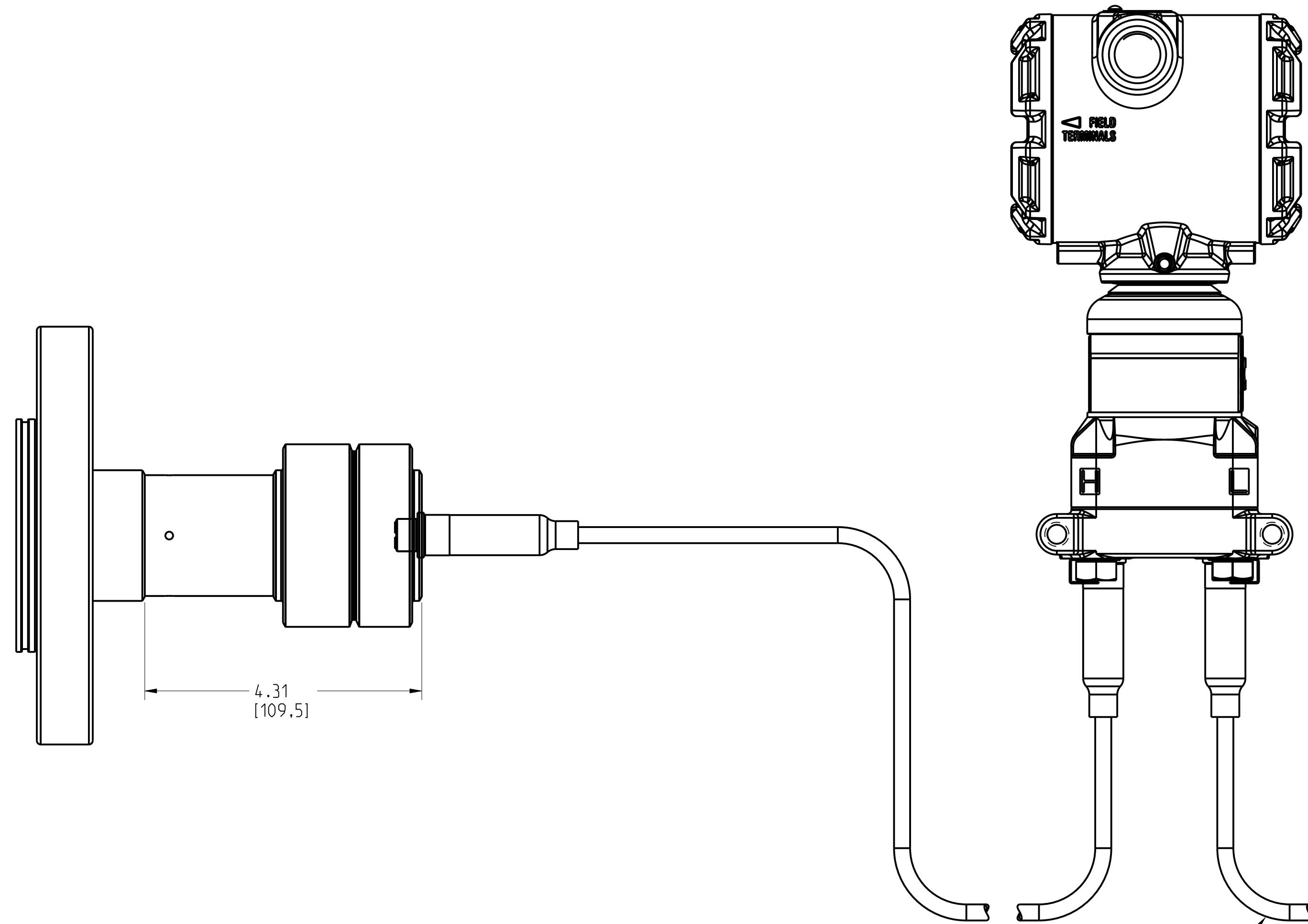
DRAWING NO. 03151-7000

ROSEMOUNT 3051SAL LIQUID LEVEL PRESSURE TRANSMITTER
 COPLANAR PROCESS CONNECTION WITH THERMAL RANGE EXPANDER

COPLANER TRANSMITTER AND DIRECT MOUNT
 CONNECTION WITH THERMAL RANGE EXPANDER



COPLANER TRANSMITTER AND CAPILLARY
 CONNECTION WITH THERMAL RANGE EXPANDER



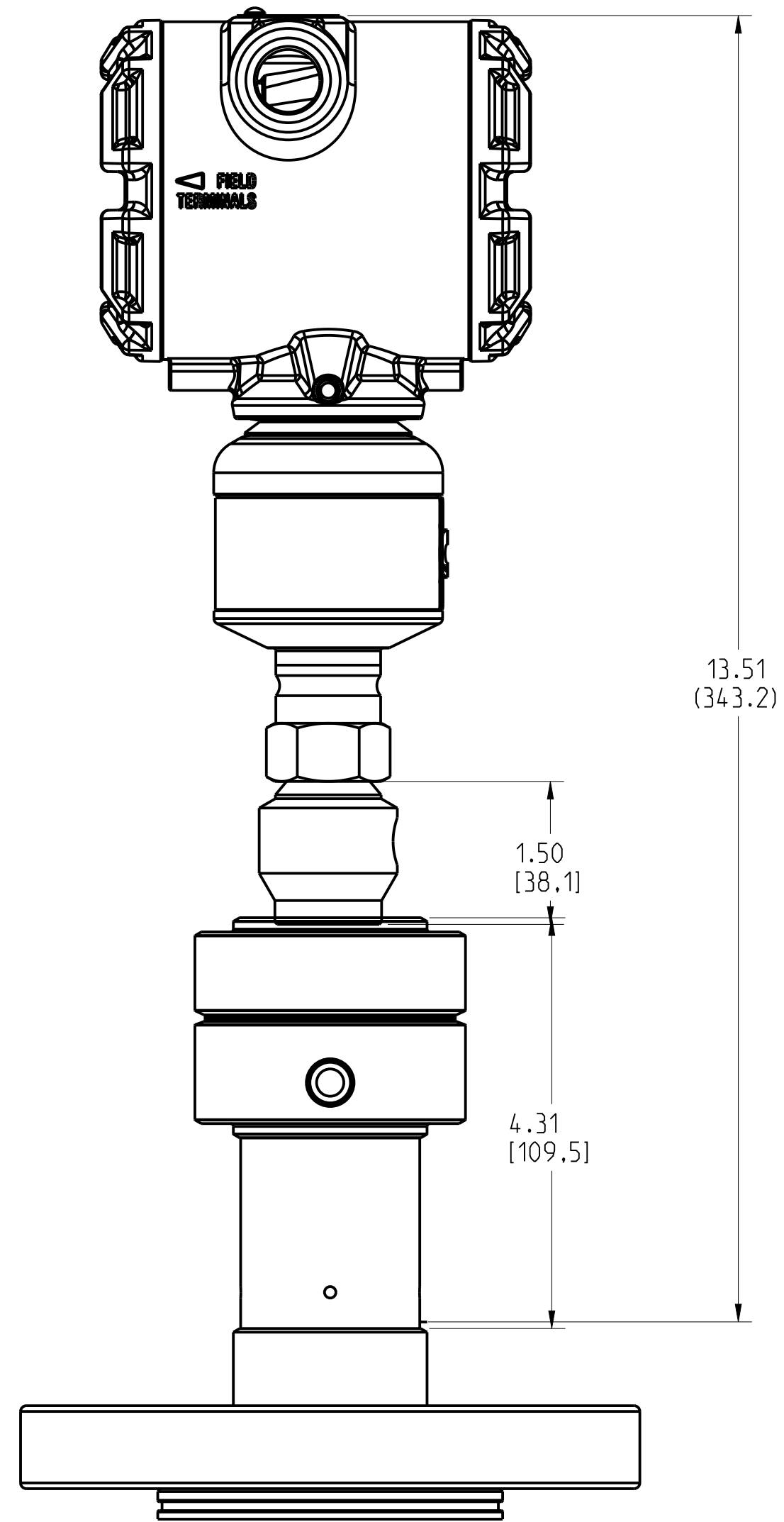
OPTIONAL LOW SIDE CAPILLARY

DRAWING NO. 03151-7000

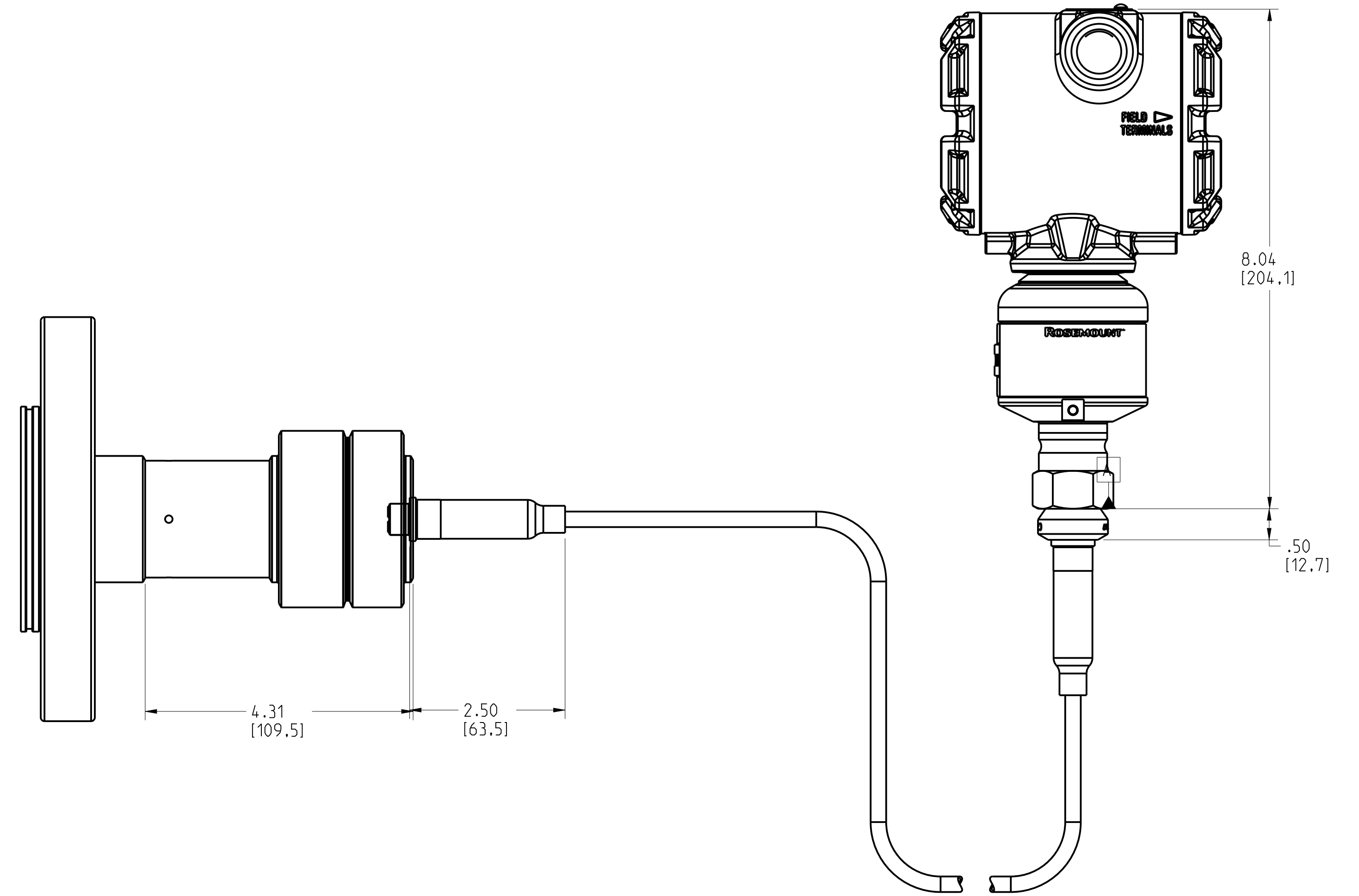
UNLESS OTHERWISE SPECIFIED DIMENSIONS IN INCHES (mm). CONFIDENTIAL AND PROPRIETARY INFORMATION. REPRODUCTION AND MUST BE HANDLED ACCORDINGLY. EMERSON	3RD ANGLE	SIZE D	SCALE 1/3	REV AG
	EMERSON Process Management ROSEMOUNT®			
	TITLE ROSEMOUNT 3051SAL LIQUID LEVEL PRESSURE TRANSMITTER			
	DR. J. ARMSTRONG 2/21/15	DRAWING NO. 03151-7000		
APP'D P. FADELL 3/10/15	SHEET 8 OF 24			
CAD MAINTAINED. (PRO/EI)				DOC TYPE D

ROSEMOUNT 3051SAL LIQUID LEVEL PRESSURE TRANSMITTER
 IN-LINE PROCESS CONNECTION WITH THERMAL RANGE EXPANDER

IN-LINE TRANSMITTER AND DIRECT MOUNT
 CONNECTION WITH THERMAL RANGE EXPANDER



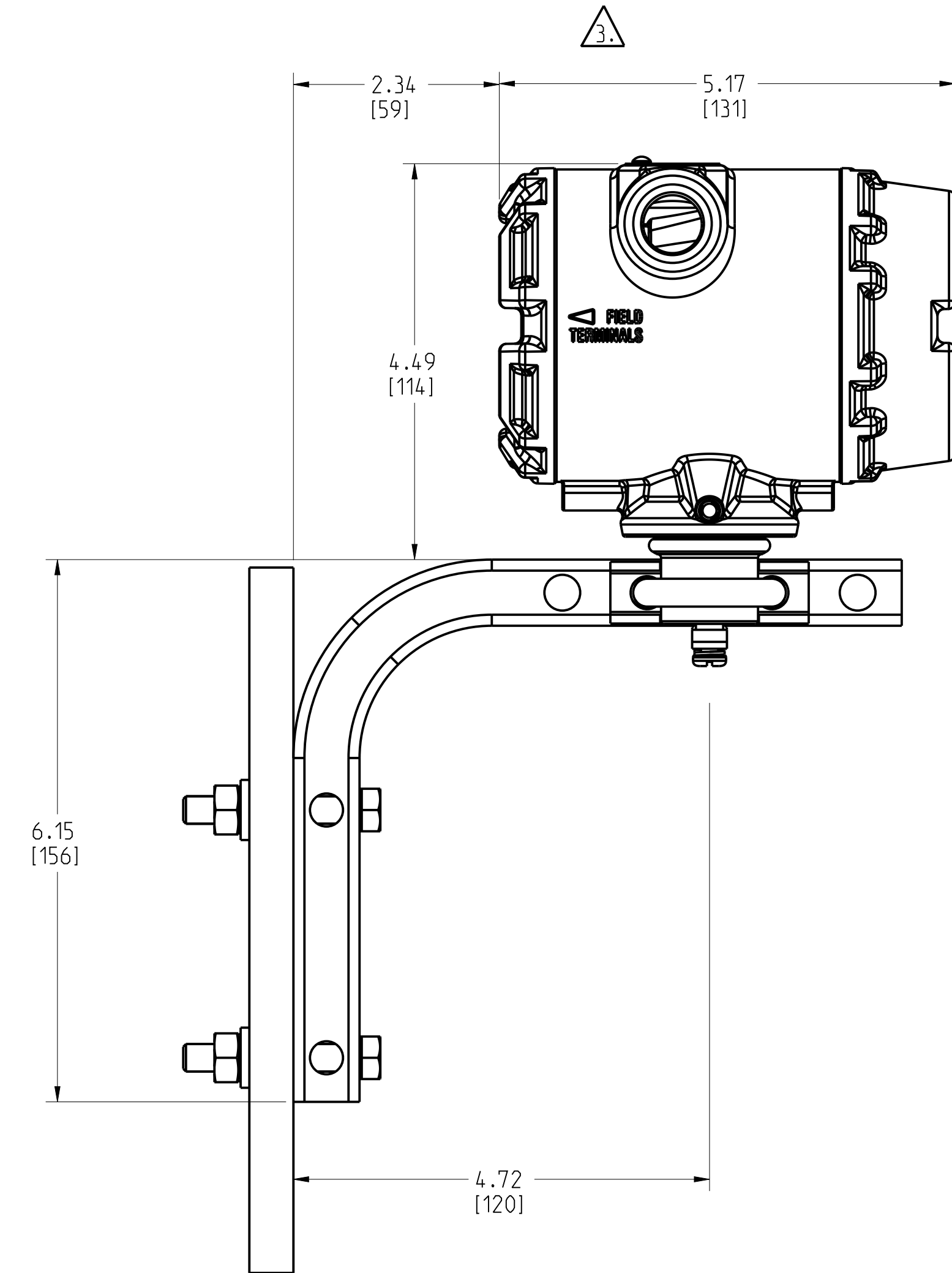
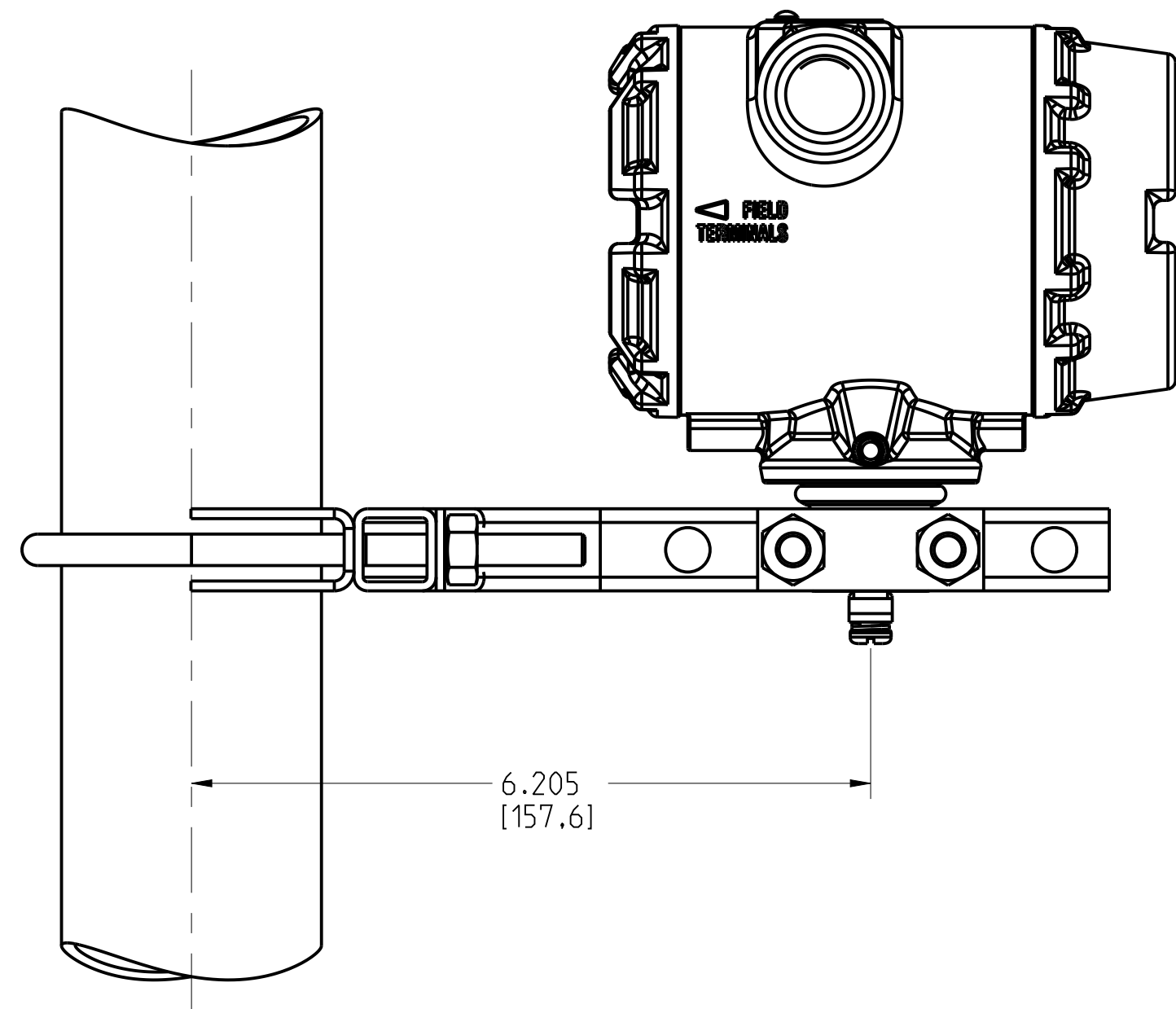
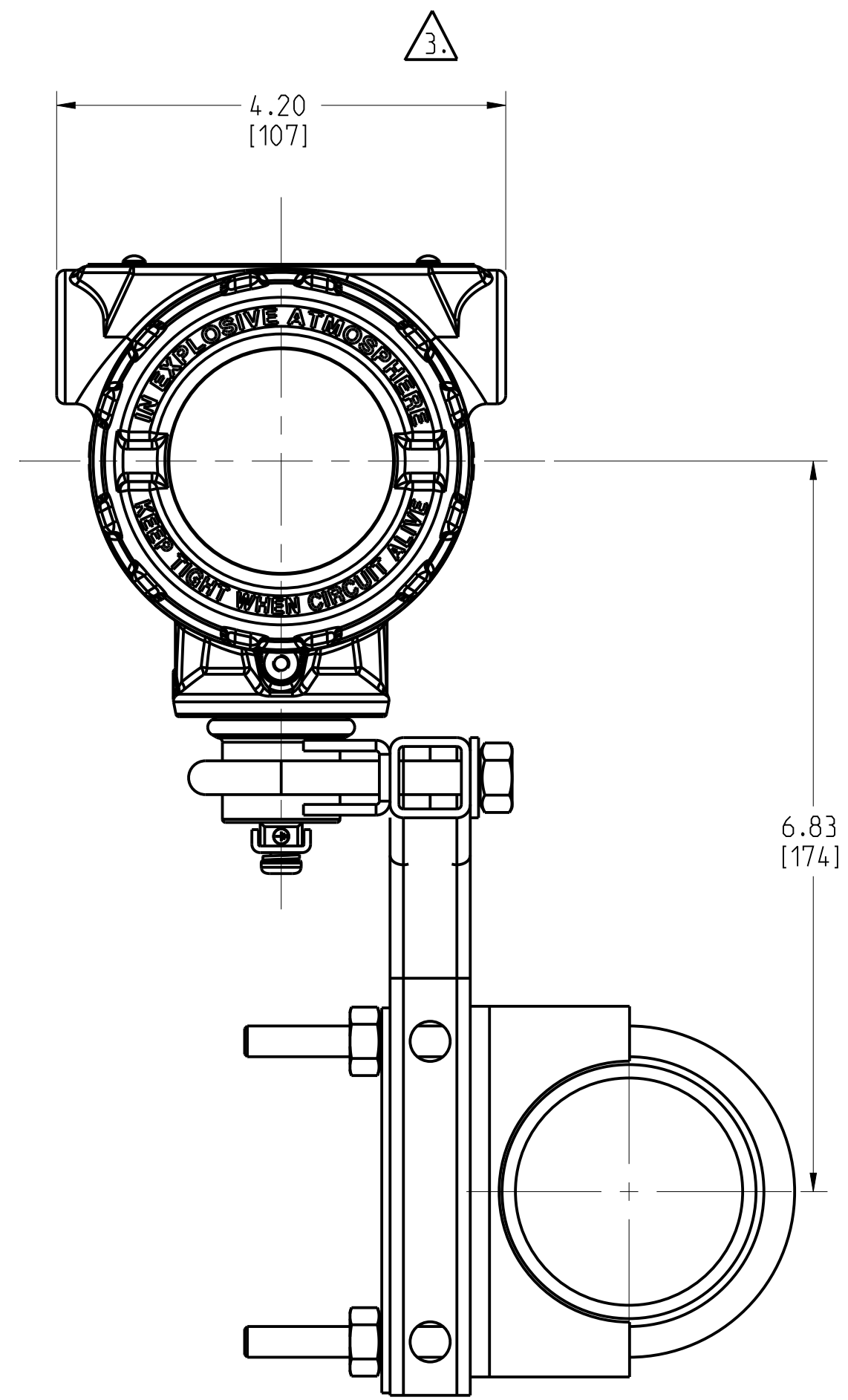
IN-LINE TRANSMITTER AND CAPILLARY
 CONNECTION WITH THERMAL RANGE EXPANDER



<small>UNLESS OTHERWISE SPECIFIED DIMENSIONS IN INCHES (mm).</small> <small>CONFIDENTIAL AND PROPRIETARY INFORMATION. REPRODUCTION, AND MUST BE HANDLED ACCORDINGLY. EMERSON</small>	<small>3RD ANGLE</small> 	<small>SIZE</small> D	<small>SCALE</small> 1/1	<small>REV</small> AG
	<small>INFORMATION WITHIN THIS DOCUMENT IS PROPRIETARY AND CONFIDENTIAL. IT IS TO BE USED ONLY FOR THE PROJECT AND ENGINEERING USE. REFERENCE TO THIS DOCUMENT IN ANY OTHER PROJECT OR SHEET WITHOUT THE WRITTEN PERMISSION OF EMERSON ENGINEERING CORPORATION.</small>			
	<small>TITLE</small> ROSEMOUNT 3051SAL LIQUID LEVEL PRESSURE TRANSMITTER		<small>DRAWING NO.</small> 03151-7000	
<small>APP'D</small> P. FADELL	<small>DATE</small> 3/10/15	<small>DOC TYPE</small> D		<small>SHEET</small> 9 OF 24

DRAWING NO. 03151-7000

REMOTE DISPLAY MOUNTING CONFIGURATIONS (B4 MOUNTING BRACKET)

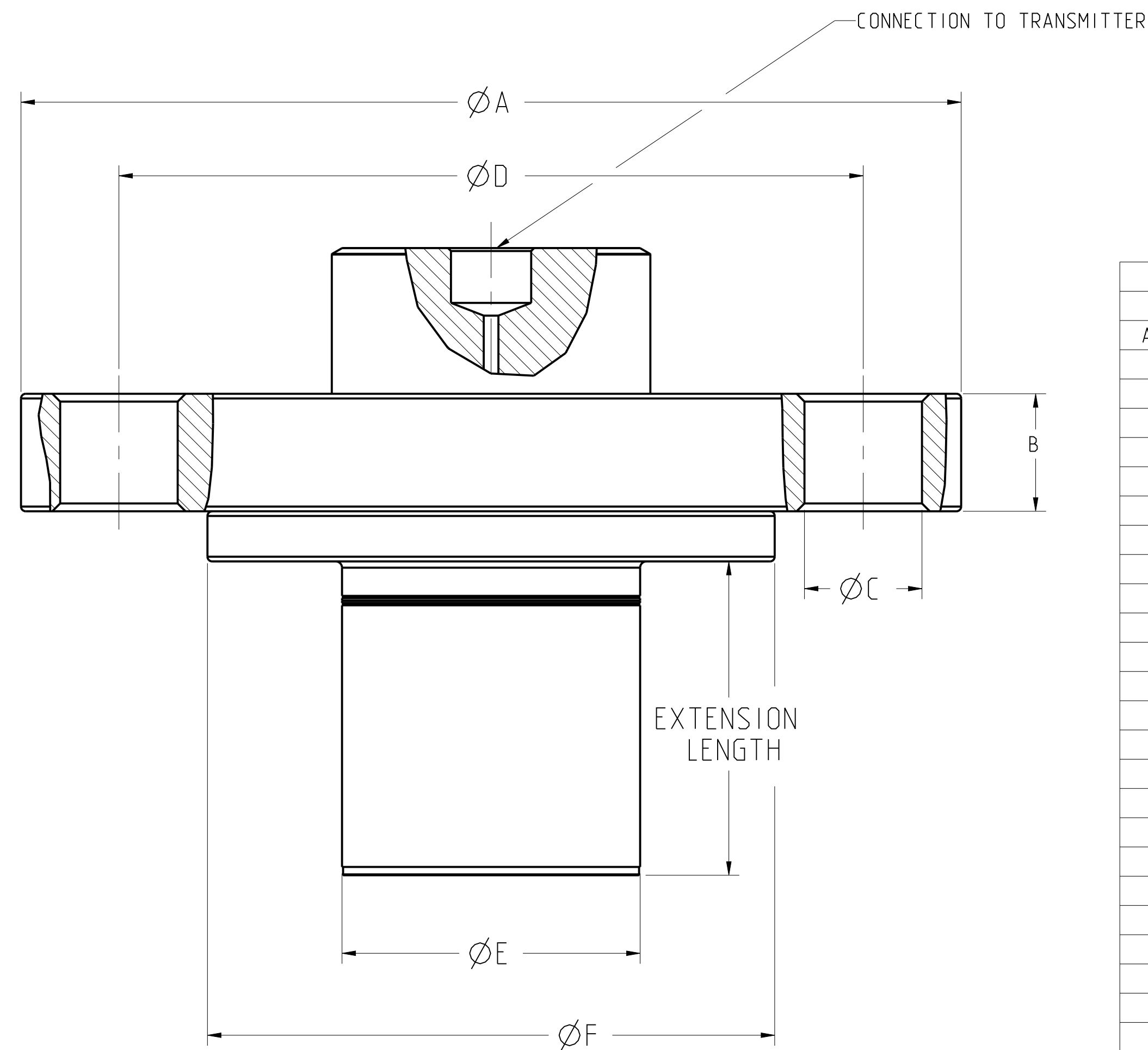


⚠ THE 3051SAL REMOTE DISPLAY (WHEN APPLICABLE) WILL ALWAYS HAVE PLANTWEB HOUSING.

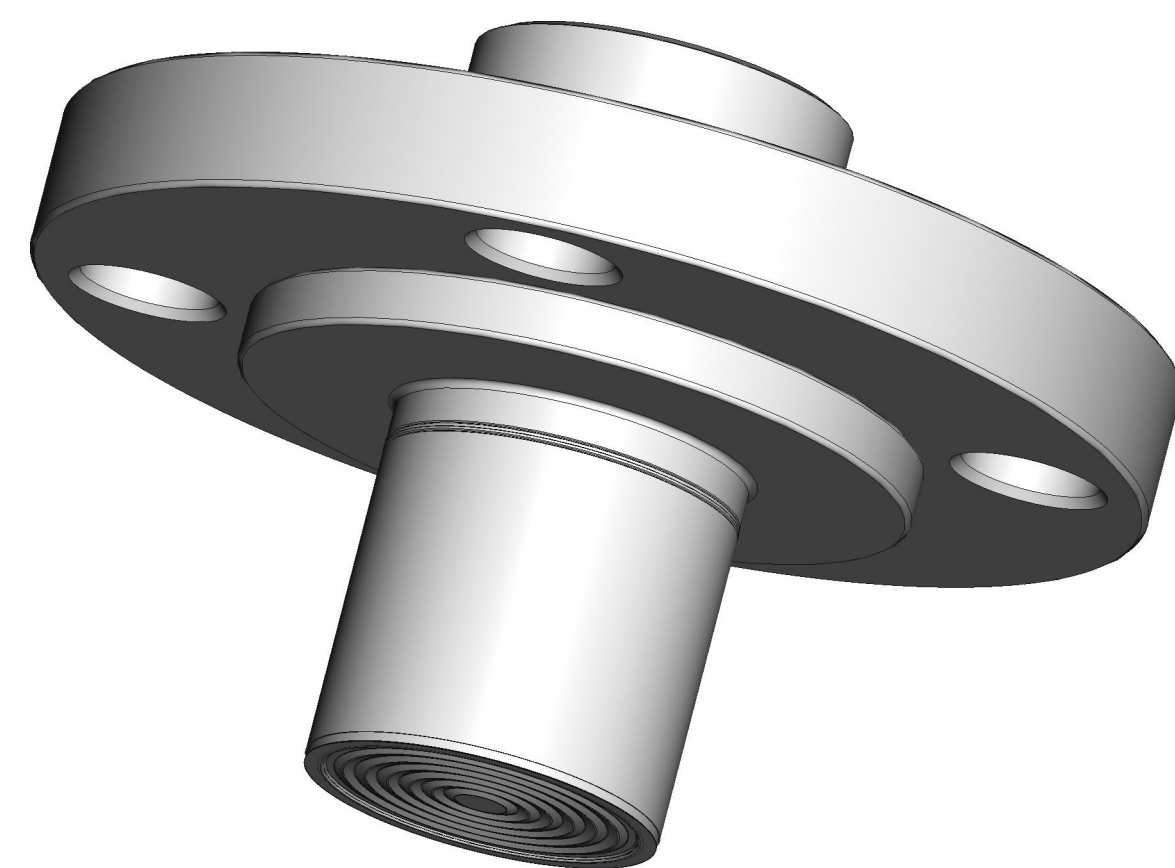
<small>UNLESS OTHERWISE SPECIFIED DIMENSIONS IN INCHES (mm).</small> <small>CONFIDENTIAL AND PROPRIETARY INFORMATION. DO NOT DISCLOSE OR REPRODUCE WITHOUT WRITTEN PERMISSION FROM EMERSON.</small> <small>EMERSON</small> <small>INFORMATION WITHIN THIS DOCUMENT IS UNCLASSIFIED. IT IS THE POLICY OF EMERSON TO MAKE ALL INFORMATION CONTAINED HEREIN AVAILABLE TO THE PUBLIC. ANY CHANGES TO THIS DOCUMENT WILL BE REFLECTED IN THE NEXT REVISION. FOR MORE INFORMATION, CONTACT YOUR EMERSON REPRESENTATIVE.</small>	<small>3RD ANGLE</small>	<small>SIZE</small> D	<small>SCALE</small> 1/2	<small>REV</small> AG
	TITLE ROSEMOUNT 3051SAL LIQUID LEVEL PRESSURE TRANSMITTER			
	DR. J. ARMSTRONG 2/21/15	DRAWING NO.		03151-7000
APP'D P. FADELL 3/10/15	DOC TYPE D		SHEET 10 OF 24	

DRAWING NO. 03151-7000

EXTENDED FLANGED SEAL (EF)



	PIPE SIZE	CLASS	FLANGE DIAMETER "A"	FLANGE THICKNESS "B"	BOLT HOLE DIAMETER "C"	BOLT CIRCLE "D"	# OF BOLTS	RAISED FACE DIAMETER "F"	
ASME B16.5	1-1/2"	150#	5.00 (127)	0.62 (16)	0.63 (16)	3.88 (99)	4	2.88 (73)	
		300#	6.12 (156)	0.75 (19)	0.88 (22)	4.50 (114)	4	2.88 (73)	
		600#	6.12 (156)	0.88 (22)	0.88 (22)	4.50 (114)	4	2.88 (73)	
	2"	150#	6.00 (152)	0.69 (18)	0.75 (19)	4.75 (121)	4	3.62 (92)	
		300#	6.50 (165)	0.82 (21)	0.75 (19)	5.00 (127)	8	3.62 (92)	
	600#	6.50 (165)	1.00 (25)	0.75 (19)	5.00 (127)	8	3.62 (92)		
3"	150#	7.50 (191)	0.88 (22)	0.75 (19)	6.00 (152)	4	5.00 (127)		
	300#	8.25 (210)	1.06 (27)	0.88 (22)	6.62 (168)	8	5.00 (127)		
	600#	8.25 (210)	1.25 (32)	0.88 (22)	6.62 (168)	8	5.00 (127)		
	4"	150#	9.00 (229)	0.88 (22)	0.75 (19)	7.50 (191)	8	6.20 (158)	
		300#	10.0 (254)	1.19 (30)	0.88 (22)	7.88 (200)	8	6.20 (158)	
		600#	10.75 (273)	1.50 (38)	1.00 (25)	8.50 (216)	8	6.20 (158)	
EN1092-1	DN50	PN40	6.50 (165)	0.79 (20)	0.71 (18)	4.92 (125)	4	4.02 (102)	
		PN63	7.08 (180)	1.02 (26)	0.87 (22)	5.31 (135)	4	4.02 (102)	
		PN100	7.68 (195)	1.10 (28)	1.02 (26)	5.71 (145)	4	4.02 (102)	
	DN80	PN40	7.87 (200)	0.94 (24)	0.71 (18)	6.30 (160)	8	5.43 (138)	
		PN63	8.46 (215)	1.10 (28)	0.88 (22)	6.69 (170)	8	5.43 (138)	
		PN100	9.06 (230)	1.26 (32)	1.02 (26)	7.09 (180)	8	5.43 (138)	
	DN100	PN16	8.66 (220)	0.79 (20)	0.71 (18)	7.09 (180)	8	6.20 (158)	
		PN40	9.25 (235)	0.94 (24)	0.87 (22)	7.48 (190)	8	6.20 (158)	
		PN63	9.84 (250)	1.18 (30)	1.02 (26)	7.87 (200)	8	6.20 (158)	
JIS 2220	50A	10K	6.10 (155)	0.63 (16)	0.75 (19)	4.72 (120)	4	3.62 (92)	
		20K	6.10 (155)	0.71 (18)	0.75 (19)	4.72 (120)	8	3.62 (92)	
		40K	6.50 (165)	1.02 (26)	0.75 (19)	5.12 (130)	8	4.00 (102)	
		80A	10K	7.28 (185)	0.71 (18)	0.75 (19)	5.91 (150)	8	5.00 (127)
	80A	20K	7.87 (200)	0.87 (22)	0.91 (23)	6.30 (160)	8	5.00 (127)	
		40K	8.27 (210)	1.26 (32)	0.91 (23)	6.69 (170)	8	5.43 (138)	
		100A	10K	8.27 (210)	0.71 (18)	0.75 (19)	6.89 (175)	8	6.20 (158)
		20K	8.86 (225)	0.94 (24)	0.91 (23)	7.28 (185)	8	6.20 (158)	
	40K	9.84 (250)	1.42 (36)	0.98 (25)	8.07 (205)	8	6.20 (158)		



PROCESS CONNECTION SIZE	EN 1092-1	JIS B2238	JIS B2238	DIAMETER "E"
ANSI B16.5				
3"	DN 80	80A	80 A	2.58 (66)
4"	DN 100	100A	100 A	3.50 (89)
1-1/2"	DN 40	40A	40 A	1.45 (37)
2"	DN 50	50A	50 A	1.90 (48)
3" Headbox	DN 80 Headbox	-	-	2.88 (73)
4" Headbox	DN100 Headbox	-	-	3.78 (96)

DIMENSIONS IN INCHES (MILLIMETERS)

UNLESS OTHERWISE SPECIFIED DIMENSIONS IN INCHES (mm).

CONFIDENTIAL AND PROPRIETARY INFORMATION. NOT TO BE REPRODUCED OR TRANSMITTED IN ANY FORM OR BY ANY MEANS, ELECTRONIC OR MECHANICAL, INCLUDING PHOTOCOPYING, RECORDING, OR BY ANY INFORMATION STORAGE AND RETRIEVAL SYSTEM, WITHOUT THE WRITTEN PERMISSION OF EMERSON.

INFORMATION WITHIN THIS DOCUMENT IS UNCLASSIFIED. IT IS THE POLICY OF EMERSON TO MAKE THIS INFORMATION AVAILABLE TO THE PUBLIC. FOR MORE INFORMATION, CONTACT: EMERSON ENGINEERING INFORMATION, 100 WEST 26TH AVENUE, SUITE 100, DENVER, CO 80202, USA. TEL: 303.755.4700. WWW.EMERSON.COM

EMERSON
Process Management
ROSEMOUNT®

TITLE ROSEMOUNT 3051SAL LIQUID LEVEL PRESSURE TRANSMITTER

DR. J. ARMSTRONG 2/21/15 DRAWING NO. 03151-7000

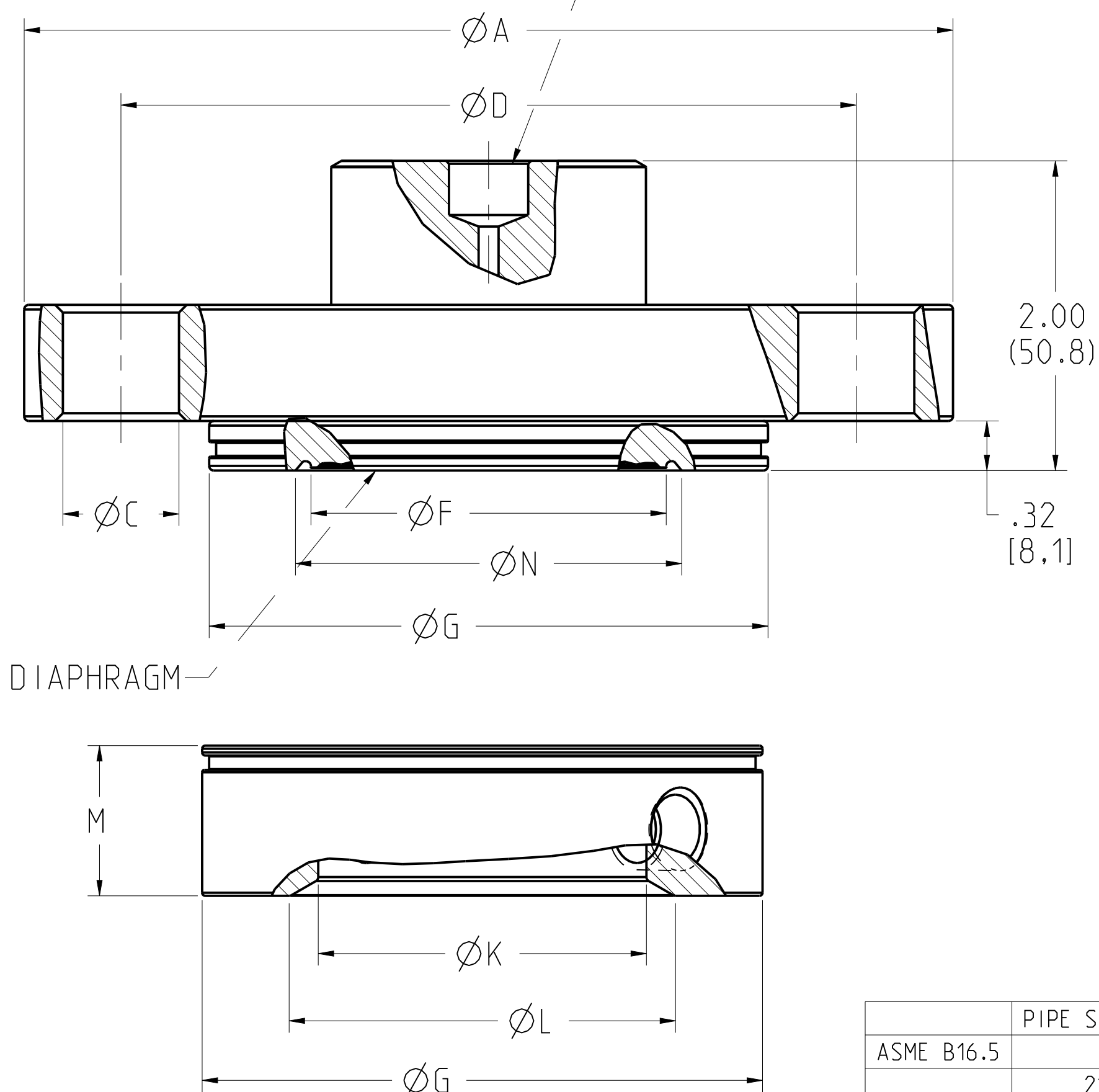
APP'D P. FADELL 3/10/15

CAD MAINTAINED: (PRO/EI) DOC TYPE: D SHEET 11 OF 24

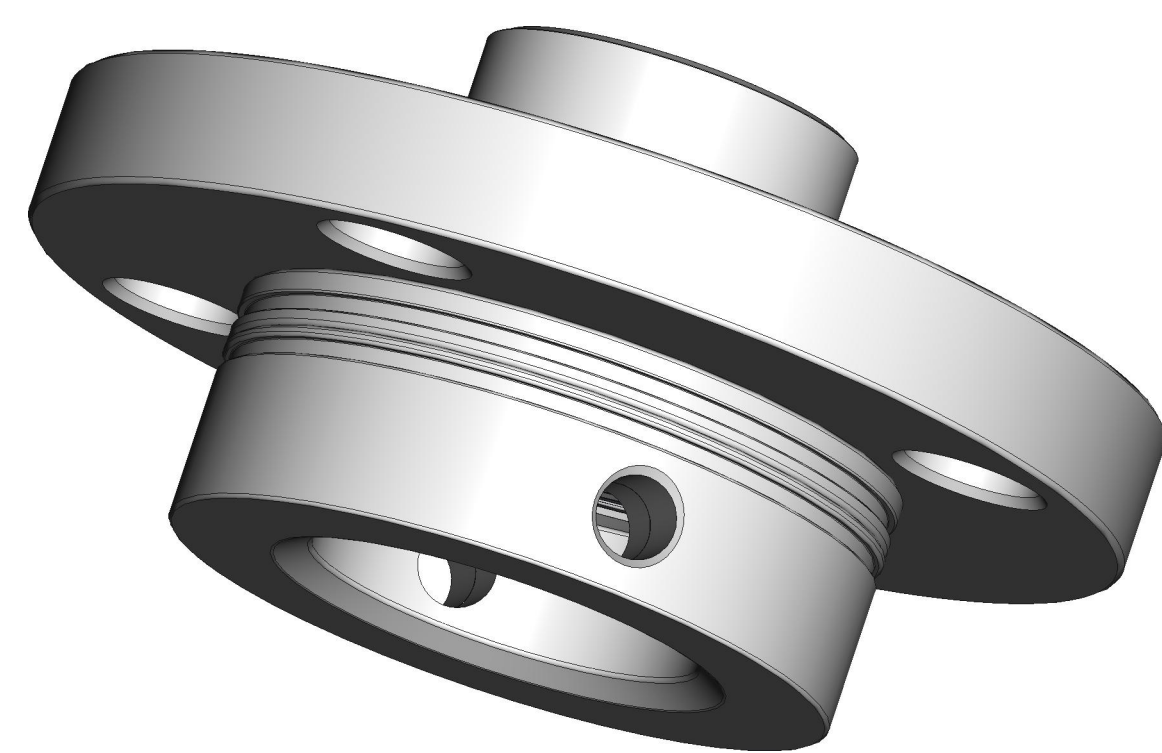
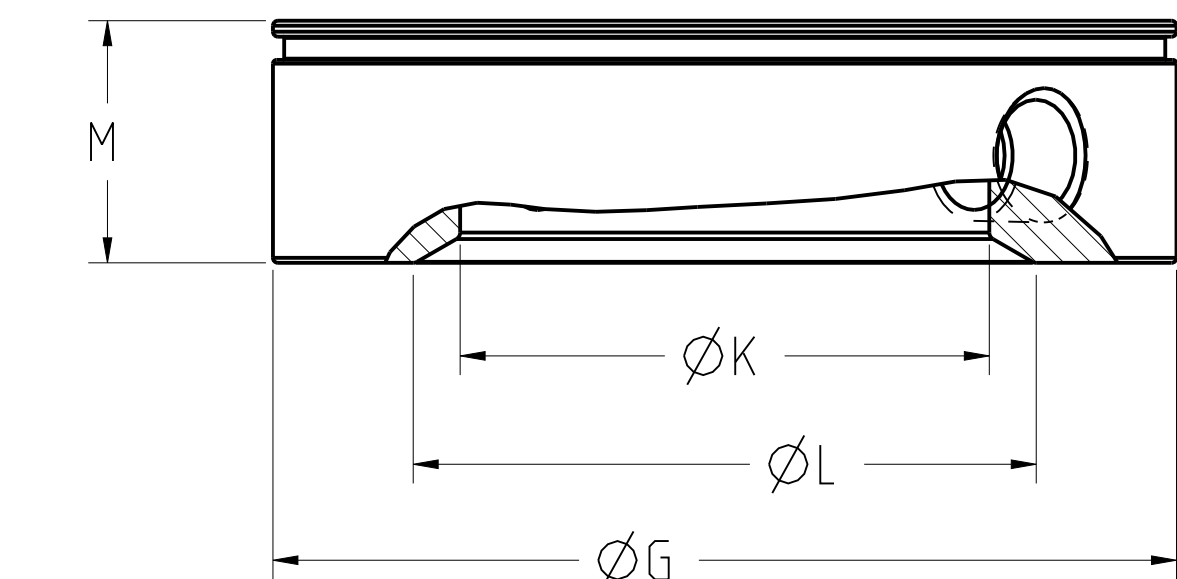
DRAWING NO. 03151-7000

FLUSH FLANGED SEAL (FF)

CONNECTION TO TRANSMITTER



DIAPHRAGM



	PIPE SIZE	CLASS	FLANGE DIAMETER "A"	FLANGE THICKNESS "B"	BOLT HOLE DIAMETER "C"	BOLT CIRCLE "D"	# OF BOLTS	STANDARD DIAPHRAGM DIAMETER "F"	
ASME B16.5	2"	150#	6.00 (152)	0.69 (18)	0.75 (19)	4.75 (121)	4	2.30 (58)	
		300#	6.50 (165)	0.81 (21)	0.75 (19)	5.00 (127)	8	2.30 (58)	
		600#	6.50 (165)	1.00 (25)	0.75 (19)	5.00 (127)	8	2.30 (58)	
	3"	150#	7.50 (191)	0.88 (22)	0.75 (19)	6.00 (152)	4	3.50 (89)	
		300#	8.25 (210)	1.06 (27)	0.88 (22)	6.62 (168)	8	3.50 (89)	
		600#	8.25 (210)	1.25 (32)	0.88 (22)	6.62 (168)	8	3.50 (89)	
	4"	150#	9.00 (229)	0.88 (22)	0.75 (19)	7.50 (191)	8	3.50 (89)	
		300#	10.0 (254)	1.19 (30)	0.88 (22)	7.88 (200)	8	3.50 (89)	
		600#	10.75 (273)	1.50 (38)	1.00 (25)	8.50 (216)	8	3.50 (89)	
EN1092-1	DN50	PN40	6.50 (165)	0.79 (20)	0.71 (18)	4.92 (125)	4	2.30 (58)	
		PN63	7.09 (180)	1.02 (26)	0.87 (22)	5.31 (135)	4	2.30 (58)	
		PN100	7.68 (195)	1.10 (28)	1.02 (26)	5.71 (145)	4	2.30 (58)	
	DN80	PN40	7.87 (200)	0.94 (24)	0.71 (18)	6.30 (160)	8	3.50 (89)	
		PN63	8.46 (215)	1.10 (28)	0.88 (22)	6.69 (170)	8	3.50 (89)	
		PN100	9.06 (230)	1.26 (32)	1.02 (26)	7.09 (180)	8	3.50 (89)	
	DN100	PN16	8.66 (220)	0.79 (20)	0.71 (18)	7.09 (180)	8	3.50 (89)	
		PN40	9.25 (235)	0.94 (24)	0.87 (22)	7.48 (190)	8	3.50 (89)	
		PN63	9.84 (250)	1.18 (30)	1.02 (26)	7.87 (200)	8	3.50 (89)	
	JIS 2220	50A	10K	6.10 (155)	0.63 (16)	0.75 (19)	4.72 (120)	4	2.30 (58)
			20K	6.10 (155)	0.71 (18)	0.75 (19)	4.72 (120)	8	2.30 (58)
			40K	6.50 (165)	1.02 (26)	0.75 (19)	5.12 (130)	8	2.30 (58)
80A		10K	7.28 (185)	0.71 (18)	0.75 (19)	5.91 (150)	8	3.50 (89)	
		20K	7.87 (200)	0.87 (22)	0.91 (23)	6.30 (160)	8	3.50 (89)	
		40K	8.27 (210)	1.26 (32)	0.91 (23)	6.69 (170)	8	3.50 (89)	
100A		10K	8.27 (210)	0.71 (18)	0.75 (19)	6.89 (175)	8	3.50 (89)	
		20K	8.86 (225)	0.95 (24)	0.91 (23)	7.28 (185)	8	3.50 (89)	
		40K	9.84 (250)	1.42 (36)	0.98 (25)	8.07 (205)	8	3.50 (89)	

	PIPE SIZE	CLASS	RAISED FACE DIAMETER "G"	INNER DIAMETER "K"	BEVELED EDGE "L"	THICKNESS WITH 1/4-NPT F.C. "M"	THICKNESS WITH 1/2-NPT F.C. "M"	GASKET SURFACE DIAMETER "N"	
ASME B16.5	2"	150"	3.62 (92)	2.12 (54)	2.48 (63)	0.97 (25)	1.30 (33)	2.50 (64)	
		300"	3.62 (92)	2.12 (54)	2.48 (63)	0.97 (25)	1.30 (33)	2.50 (64)	
		600"	3.62 (92)	2.12 (54)	2.48 (63)	0.97 (25)	1.30 (33)	2.50 (64)	
	3"	150"	5.00 (127)	3.60 (91)	-	0.97 (25)	1.30 (33)	3.70 (94)	
		300"	5.00 (127)	3.60 (91)	-	0.97 (25)	1.30 (33)	3.70 (94)	
		600"	5.00 (127)	3.60 (91)	-	0.97 (25)	1.30 (33)	3.70 (94)	
	4"	150"	6.20 (157)	3.60 (91)	-	0.97 (25)	1.30 (33)	3.70 (94)	
		300"	6.20 (157)	3.60 (91)	-	0.97 (25)	1.30 (33)	3.70 (94)	
		600"	6.20 (157)	3.60 (91)	-	0.97 (25)	1.30 (33)	3.70 (94)	
EN1092-1	DN50	PN40	4.00 (102)	2.40 (61)	-	0.97 (25)	1.30 (33)	2.50 (64)	
		PN63	4.00 (102)	2.40 (61)	-	0.97 (25)	1.30 (33)	2.50 (64)	
		PN100	4.00 (102)	2.40 (61)	-	0.97 (25)	1.30 (33)	2.50 (64)	
	DN80	PN40	5.43 (138)	3.60 (91)	-	0.97 (25)	1.30 (33)	3.70 (94)	
		PN63	5.43 (138)	3.60 (91)	-	0.97 (25)	1.30 (33)	3.70 (94)	
		PN100	5.43 (138)	3.60 (91)	-	0.97 (25)	1.30 (33)	3.70 (94)	
	DN100	PN16	6.20 (157)	3.60 (91)	-	0.97 (25)	1.30 (33)	3.70 (94)	
		PN40	6.20 (157)	3.60 (91)	-	0.97 (25)	1.30 (33)	3.70 (94)	
		PN63	6.20 (157)	3.60 (91)	-	0.97 (25)	1.30 (33)	3.70 (94)	
	JIS 2220	50A	10K	3.62 (92)	2.12 (54)	-	0.97 (25)	1.30 (33)	2.50 (64)
			20K	3.62 (92)	2.12 (54)	-	0.97 (25)	1.30 (33)	2.50 (64)
			40K	4.00 (102)	2.40 (61)	-	0.97 (25)	1.30 (33)	2.50 (64)
80A		10K	5.00 (127)	3.60 (91)	-	0.97 (25)	1.30 (33)	3.70 (94)	
		20K	5.00 (127)	3.60 (91)	-	0.97 (25)	1.30 (33)	3.70 (94)	
		40K	5.43 (138)	3.60 (91)	-	0.97 (25)	1.30 (33)	3.70 (94)	
100A		10K	6.20 (157)	3.60 (91)	-	0.97 (25)	1.30 (33)	3.70 (94)	
		20K	6.20 (157)	3.60 (91)	-	0.97 (25)	1.30 (33)	3.70 (94)	
		40K	6.20 (157)	3.60 (91)	-	0.97 (25)	1.30 (33)	3.70 (94)	

DIMENSIONS IN INCHES (MILLIMETERS)

UNLESS OTHERWISE SPECIFIED DIMENSIONS IN INCHES (mm).

CONFIDENTIAL AND PROPRIETARY INFORMATION. NOT TO BE REPRODUCED OR TRANSMITTED IN ANY FORM OR BY ANY MEANS, ELECTRONIC OR MECHANICAL, INCLUDING PHOTOCOPYING, RECORDING, OR BY ANY INFORMATION STORAGE AND RETRIEVAL SYSTEM, WITHOUT THE WRITTEN PERMISSION OF EMERSON.

EMERSON Process Management **ROSEMOUNT**

TITLE ROSEMOUNT 3051SAL LIQUID LEVEL PRESSURE TRANSMITTER

DR. J. ARMSTRONG 2/21/15 DRAWING NO. 03151-7000

APP'D P. FADELL 3/10/15

CAD MAINTAINED: (PRO/EI) DOC TYPE: D SHEET 12 OF 24

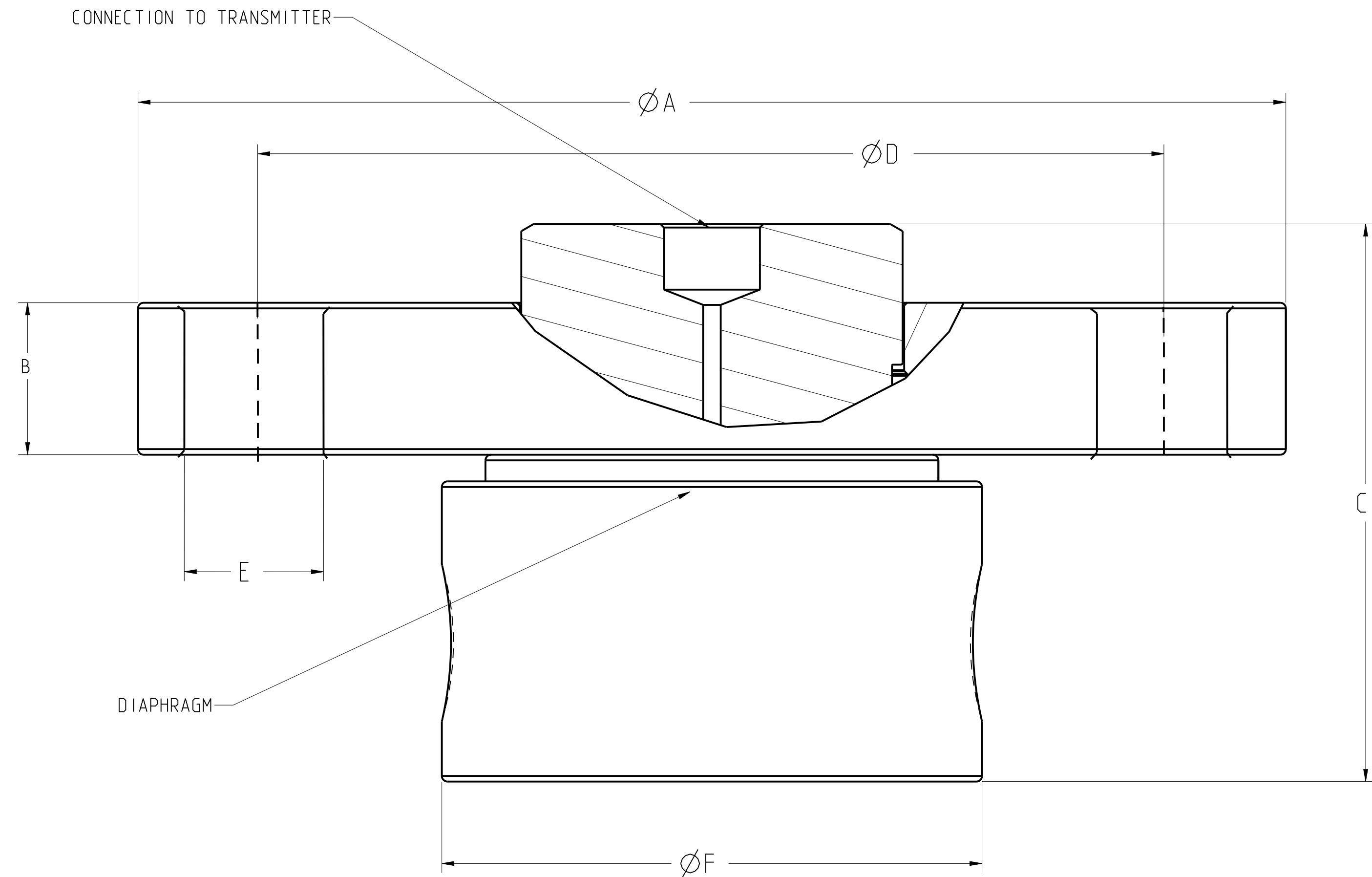
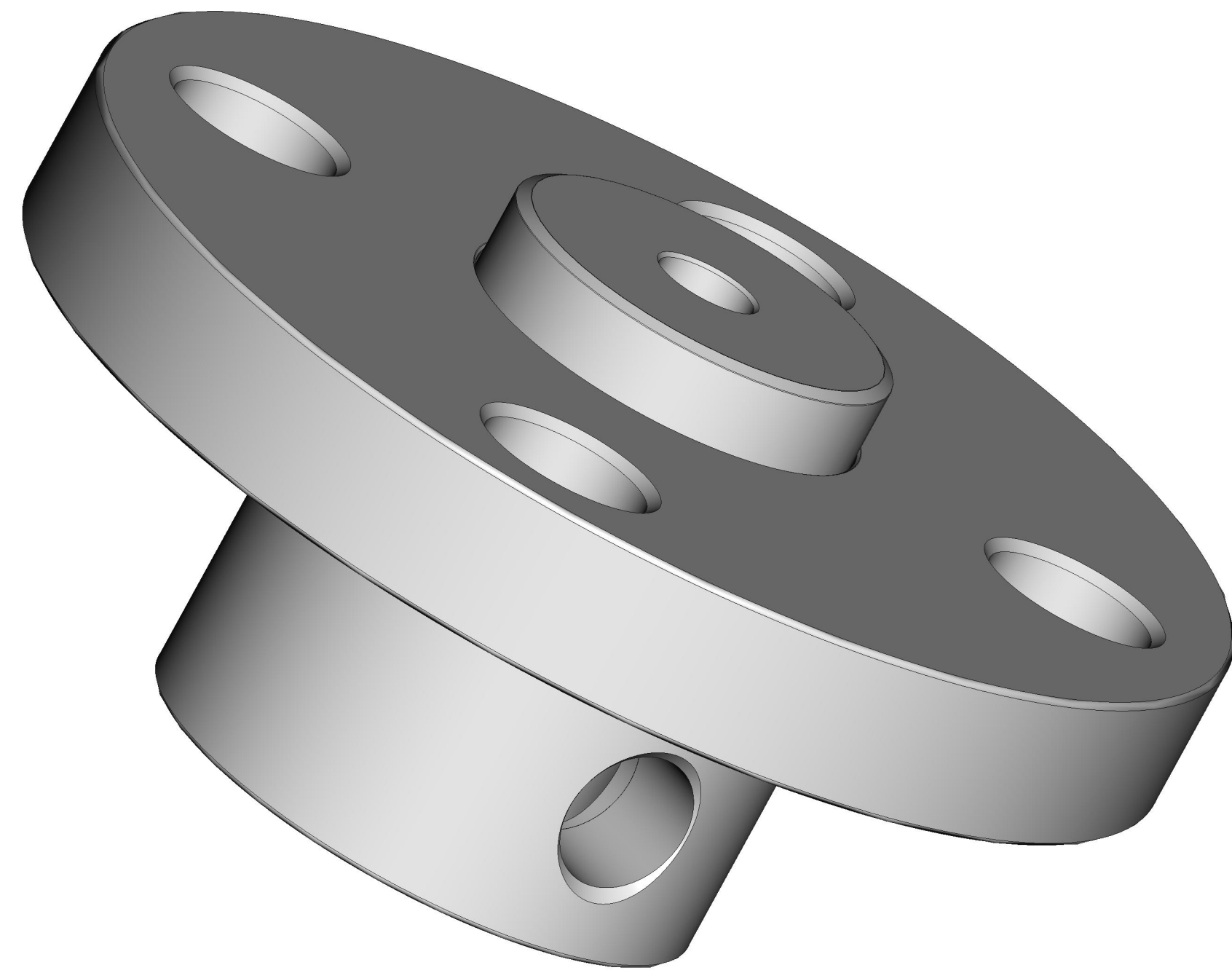
3RD ANGLE

SIZE D SCALE 1/1 REV AG

DRAWING NO. 03151-7000

REMOTE FLANGED SEAL (RF)
STANDARD (INSERT) DESIGN

	PIPE SIZE	CLASS	DIAMETER A	THICKNESS "B"	OVERALL HEIGHT "C"		BOLT CIRCLE DIA. "D"	BOLT HOLE DIA. "E"	LOWER HOUSING DIA. "F"	WEIGHT LBS (KG)	
					W/NO OR 1/4-IN NPT FLUSH CONN.	W/ 1/2-IN NPT FLUSH CONN.				W/NO OR 1/4-IN NPT FLUSH CONN.	W/ 1/2-IN NPT FLUSH CONN.
ASME B16.5											
	1/2"	2500#	5.25 (133.4)	1.25 (31.8)	3.28 (83.3)	3.64 (92.5)	3.50 (88.9)	0.88 (22.4)	2.62 (66.5)	9.26 (4.20)	9.63 (4.37)
	3/4"	300#	4.62 (117.3)	0.62 (15.7)	2.63 (66.8)	2.99 (75.9)	3.25 (82.6)	0.75 (19.1)	2.62 (66.5)	4.95 (2.25)	5.32 (2.41)
		600#	4.62 (117.3)	0.68 (17.3)	2.63 (66.8)	2.99 (75.9)	3.25 (82.6)	0.75 (19.1)	2.62 (66.5)	5.15 (2.34)	5.52 (2.51)
	1"	150#	4.25 (108.0)	0.56 (14.2)	2.63 (66.8)	2.99 (75.9)	3.12 (79.2)	0.63 (16.0)	2.62 (66.5)	4.34 (1.97)	4.69 (2.13)
		300#	4.88 (124.0)	0.68 (17.3)	2.63 (66.8)	2.99 (75.9)	3.50 (88.9)	0.75 (19.1)	2.62 (66.5)	5.45 (2.47)	5.81 (2.64)
		600#	4.88 (124.0)	0.75 (19.1)	2.63 (66.8)	2.99 (75.9)	3.50 (88.9)	0.75 (19.1)	2.62 (66.5)	5.73 (2.60)	6.08 (2.76)
	1 1/2"	150#	5.00 (127.0)	0.68 (17.3)	2.63 (66.8)	2.99 (75.9)	3.88 (98.6)	0.63 (16.0)	2.88 (73.2)	5.83 (2.65)	6.20 (2.81)
		300#	6.12 (155.4)	0.81 (20.6)	2.63 (66.8)	2.99 (75.9)	4.50 (114.3)	0.88 (22.4)	2.88 (73.2)	8.40 (3.81)	8.78 (3.98)
		600#	6.12 (155.4)	0.94 (23.9)	2.63 (66.8)	2.99 (75.9)	4.50 (114.3)	0.88 (22.4)	2.88 (73.2)	9.29 (4.22)	9.66 (4.38)
EN1092-1											
	DN25	PN40	4.53 (115.1)	0.71 (18.0)	2.63 (66.8)	2.99 (75.9)	3.35 (85.1)	0.55 (14.0)	2.68 (68.1)	5.27 (2.39)	5.64 (2.56)
	DN40	PN40	5.91 (150.1)	0.71 (18.0)	2.63 (66.8)	2.99 (75.9)	4.33 (110.0)	0.71 (18.0)	3.46 (87.9)	7.45 (3.38)	7.82 (3.55)
JIS 2220											
	40A	10K	5.51 (140.0)	0.65 (16.5)	2.63 (66.8)	2.99 (75.9)	4.13 (104.9)	0.75 (19.1)	3.15 (80.0)	6.59 (2.99)	7.01 (3.18)
		20K	5.51 (140.0)	0.73 (18.5)	2.63 (66.8)	2.99 (75.9)	4.13 (104.9)	0.75 (19.1)	3.15 (80.0)	7.02 (3.19)	7.44 (3.37)
		40K	6.30 (160.0)	0.97 (24.6)	2.63 (66.8)	2.99 (75.9)	4.72 (119.9)	0.91 (23.1)	3.15 (80.0)	10.14 (4.60)	10.55 (4.79)



DIMENSIONS IN INCHES (MILLIMETERS)

UNLESS OTHERWISE SPECIFIED DIMENSIONS IN INCHES (mm).

CONFIDENTIAL AND PROPRIETARY INFORMATION. THIS DOCUMENT IS THE PROPERTY OF EMERSON AND MUST BE HANDLED ACCORDINGLY.

EMERSON

INFORMATION WITHIN THIS DOCUMENT IS UNCLASSIFIED UNLESS INDICATED OTHERWISE. FOR MORE INFORMATION, CONTACT THE EMERSON ENGINEERING USE-REFERENCE ROSEMOUNT PRODUCT DATA SHEETS WEBSITE (WWW.EMERSON.COM/ROSEMOUNT-PRODUCT-DATA-SHEETS).

3RD ANGLE

EMERSON Process Management **ROSEMOUNT**

TITLE ROSEMOUNT 3051SAL LIQUID LEVEL PRESSURE TRANSMITTER

DR. J. ARMSTRONG 2/21/15 DRAWING NO. 03151-7000

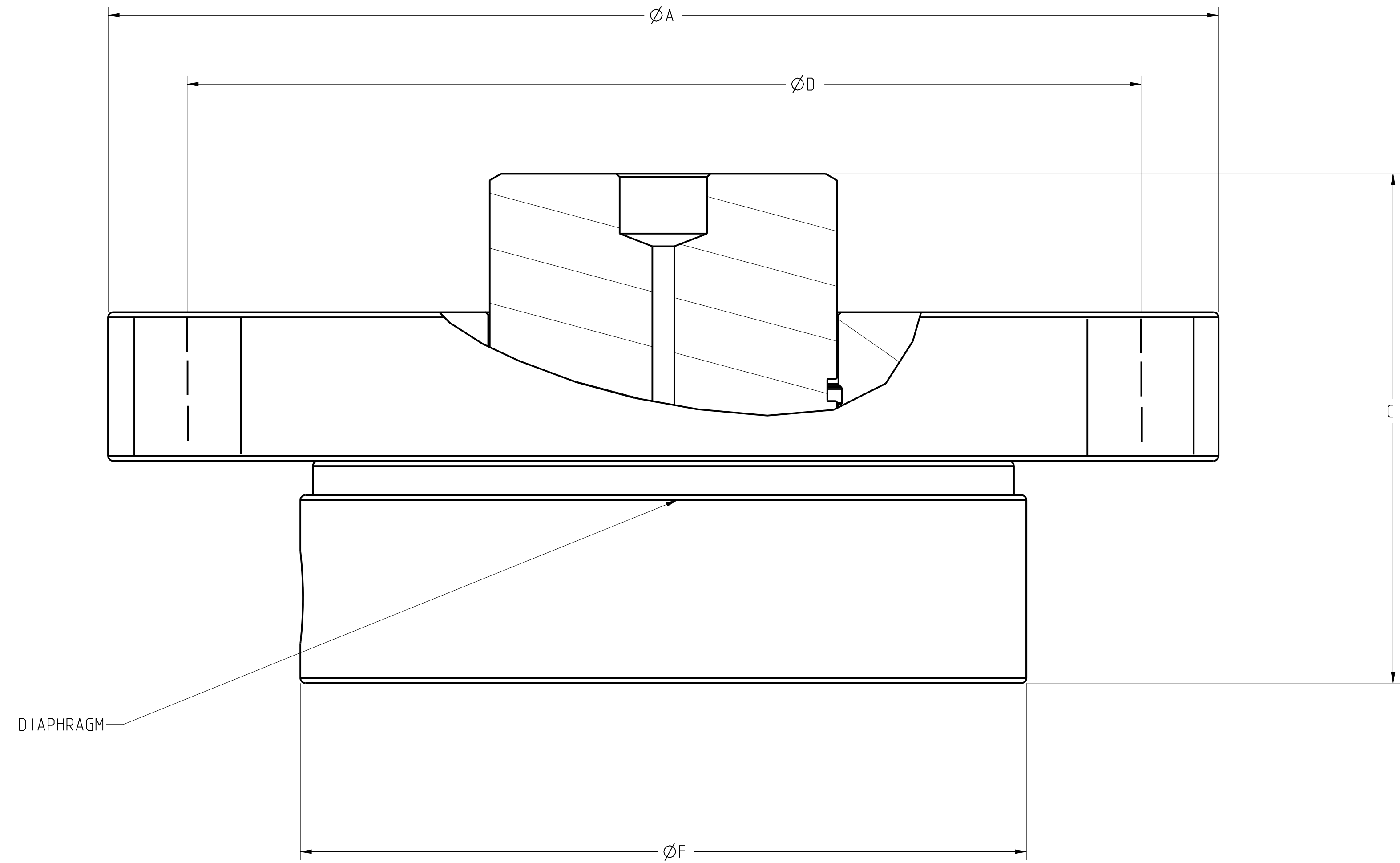
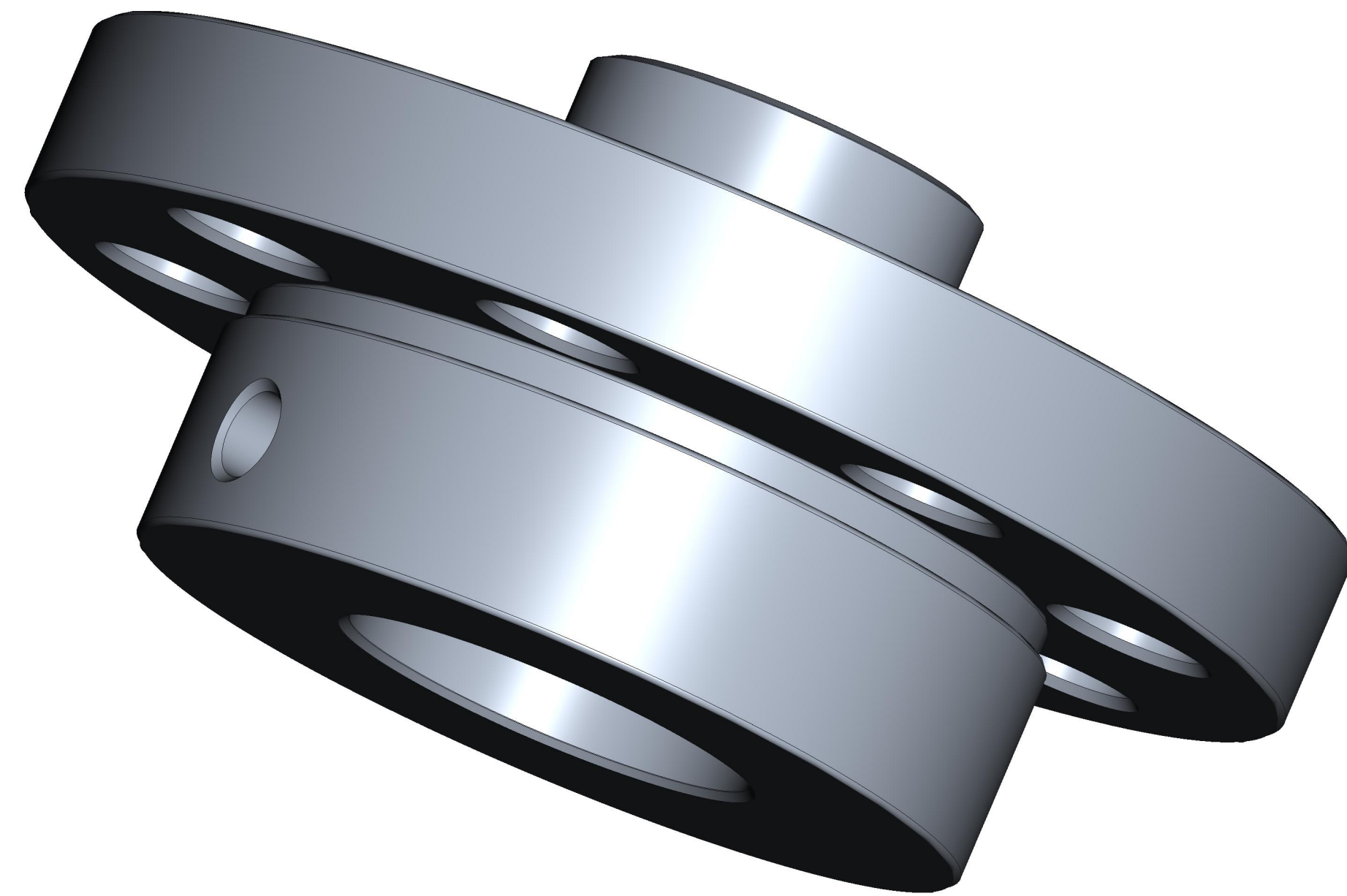
APP'D P. FADELL 3/10/15

CAD MAINTAINED (PRO/EI) DOC TYPE D SHEET 13 OF 24

DRAWING NO. 03151-7000

REMOTE FLANGED SEAL (RF)
STANDARD (INSERT) DESIGN w/ 4.1-in. OPTION

	PIPE SIZE	CLASS	DIAMETER A	THICKNESS B	OVERALL HEIGHT "C"		BOLT CIRCLE DIA. "D"	LOWER HOUSING DIA. "F"	WEIGHT LBS (KG)	
					W / NO OR 1/4-IN NPT FLUSH CONN	W / 1/2-IN NPT FLUSH CONN			W / NO OR 1/4-IN NPT FLUSH CONN	W / 1/2-IN NPT FLUSH CONN
ASME B16.5	2-in	300#	6.50 (165.1)	0.81 (20.6)	3.01 (76.6)	3.31 (84.2)	5.00 (127.0)	4.25 (108.0)	12.20 (5.54)	13.02 (5.91)
		600#	6.50 (165.1)	1.00 (25.4)	3.01 (76.6)	3.31 (84.2)	5.00 (127.0)	4.25 (108.0)	13.65 (6.19)	14.46 (6.56)
		900#	8.50 (215.9)	1.50 (38.1)	3.01 (76.6)	3.31 (84.2)	6.50 (165.1)	4.25 (108.0)	26.83 (12.18)	27.65 (12.55)
	3-in	150#	7.50 (190.5)	0.88 (22.4)	3.01 (76.6)	3.31 (84.2)	6.00 (152.4)	5.00 (127.0)	16.94 (7.69)	17.89 (8.12)
		300#	8.25 (209.6)	1.06 (26.9)	3.01 (76.6)	3.31 (84.2)	6.62 (168.1)	5.00 (127.0)	20.99 (9.53)	21.94 (9.96)
		600#	8.25 (209.6)	1.25 (31.8)	3.01 (76.6)	3.31 (84.2)	6.62 (168.1)	5.00 (127.0)	23.48 (10.66)	24.43 (11.09)
EN1092-1	DN50	PN40	6.50 (165.1)	0.79 (20.1)	3.01 (76.6)	3.31 (84.2)	4.92 (125.0)	4.25 (108.0)	11.98 (5.44)	12.78 (5.80)
		PN63	7.09 (180.1)	1.02 (25.9)	3.01 (76.6)	3.31 (84.2)	5.31 (134.9)	4.25 (108.0)	15.48 (7.03)	16.28 (7.39)
		PN100	7.68 (195.1)	1.10 (27.9)	3.01 (76.6)	3.31 (84.2)	5.71 (145.0)	4.25 (108.0)	18.16 (8.24)	18.95 (8.60)

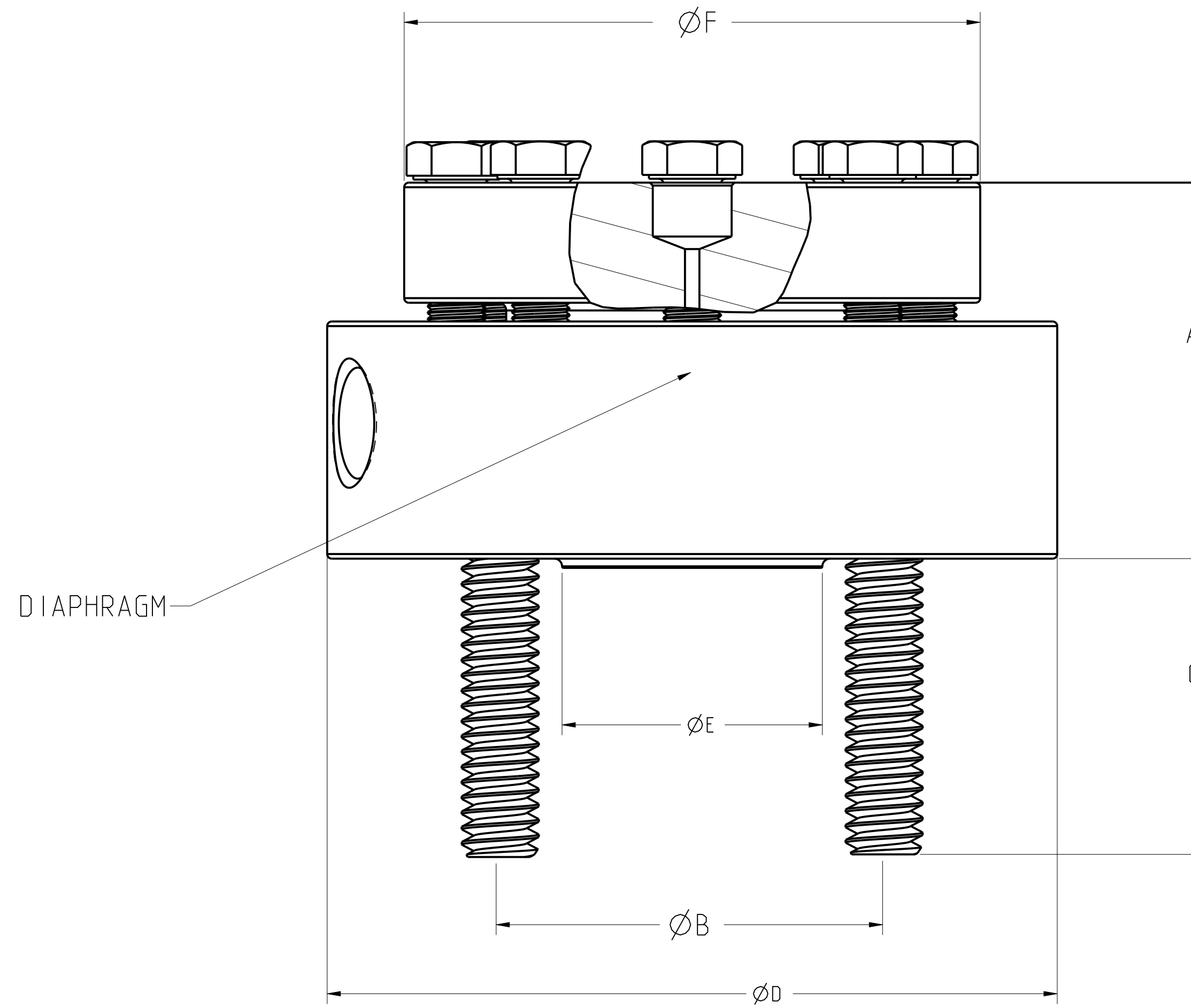
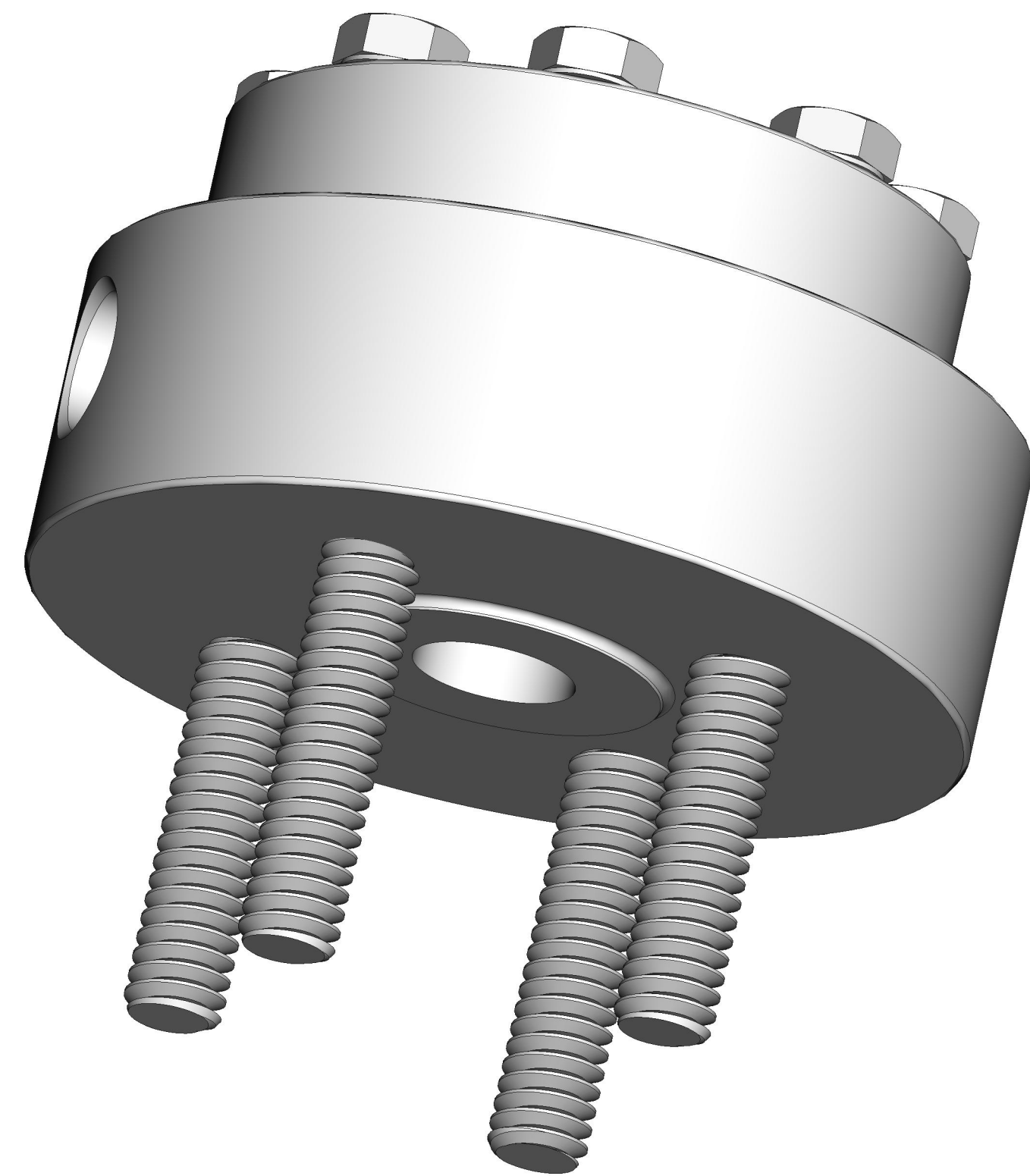


DRAWING NO. 03151-7000

UNLESS OTHERWISE SPECIFIED DIMENSIONS IN INCHES (mm). CONFIDENTIAL AND PROPRIETARY INFORMATION. REUSE, REPRODUCTION, AND DISSEMINATION OF THIS DOCUMENT IS PROHIBITED WITHOUT THE WRITTEN CONSENT OF EMERSON. INFORMATION WITHIN THIS DOCUMENT IS UNCLASSIFIED AND PUBLIC RELEASE IS AUTHORIZED. ENGINEERING USE - REFERENCE ROSEMOUNT PRODUCT DATA SHEETS FOR ENGINEERING INFORMATION.	3RD ANGLE		SIZE D	SCALE 1/1	REV AG
	EMERSON Process Management ROSEMOUNT®				
	TITLE ROSEMOUNT 3051SAL LIQUID LEVEL PRESSURE TRANSMITTER				
	DR. J. ARMSTRONG	2/21/15	DRAWING NO.		03151-7000
APP'D P. FADELL	3/10/15				
CAD MAINTAINED: (PRO/EI) DOC TYPE: D SHEET 14 OF 24					

REMOTE FLANGED SEAL (RF)
STUD BOLT DESIGN

	PIPE SIZE	CLASS	OVERALL HEIGHT "A"		STUD CIRCLE DIAMETER "B"	STUD (PROTRUDING "C" LENGTH)	LOWER HOUSING DIAMETER "D"	RAISED FACE DIAMETER "E"	UPPER DIAMETER "ØF"	WEIGHT LBS (KG)	
			W/NO OR 1/4-IN NPT FLUSH CONN.	W/ 1/2-IN NPT FLUSH CONN.						W/NO OR 1/4-IN NPT FLUSH CONN.	W/ 1/2-IN NPT FLUSH CONN.
ASME B16.5											
	1/2"	150#	2.11 (53.6)	2.47 (62.7)	2.38 (60.5)	1.94 (49.3)	3.74 (95.0)	1.38 (35.1)	3.74 (95.0)	6.20 (2.81)	10.01 (4.55)
	1/2"	300#	2.17 (55.1)	2.47 (62.7)	2.62 (66.5)	1.94 (49.3)	3.74 (95.0)	1.38 (35.1)	3.74 (95.0)	6.37 (2.89)	10.03 (4.55)
	1/2"	600#	2.37 (60.2)	2.52 (64)	2.62 (66.5)	1.75 (44.5)	3.74 (95.0)	1.38 (35.1)	3.74 (95.0)	6.46 (2.93)	9.41 (4.27)
	1/2"	900/1500#	2.79 (70.9)	3.29 (83.6)	3.25 (82.6)	2.99 (75.9)	4.74 (120.4)	1.38 (35.1)	4.00 (101.6)	11.70 (5.31)	14.94 (6.78)
	3/4"	150#	2.11 (53.6)	2.47 (62.7)	2.75 (69.9)	1.94 (49.3)	3.88 (98.6)	1.69 (42.9)	3.74 (95.0)	6.43 (2.92)	9.96 (4.52)



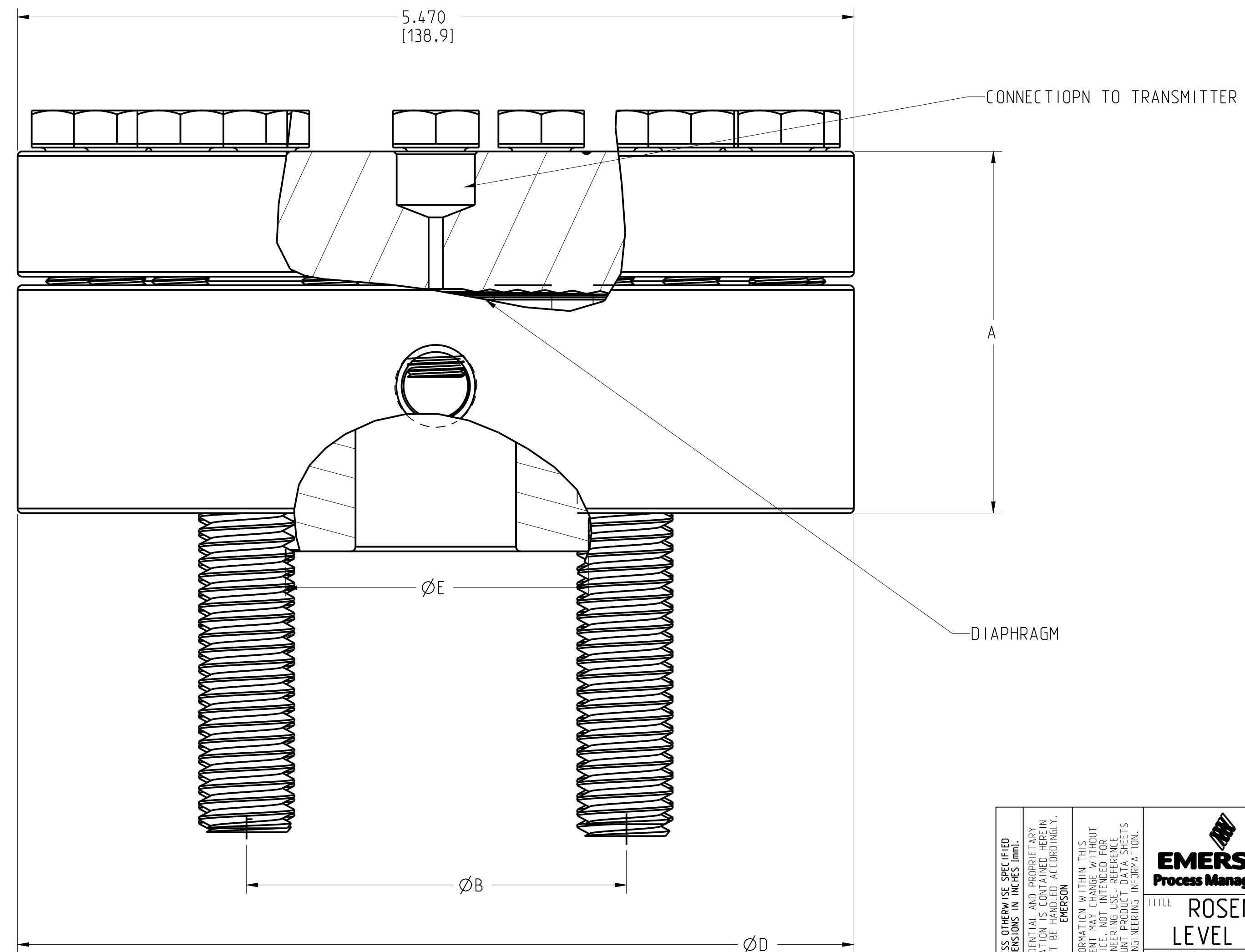
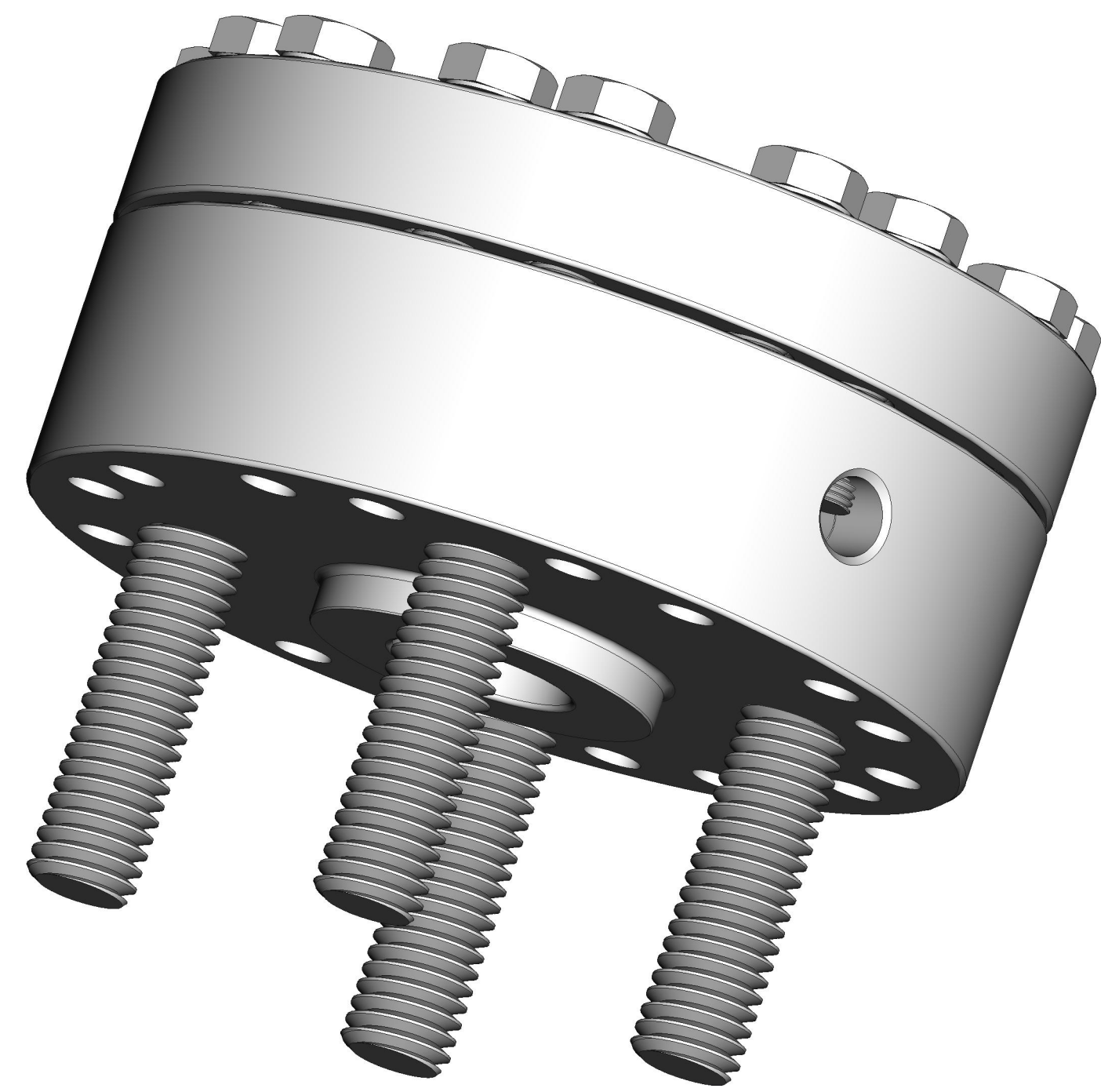
DIMENSIONS IN INCHES (MILLIMETERS)

<small>UNLESS OTHERWISE SPECIFIED DIMENSIONS IN INCHES (mm).</small> <small>CONFIDENTIAL AND PROPRIETARY INFORMATION. REPRODUCTION AND USE ARE PROHIBITED WITHOUT WRITTEN PERMISSION FROM EMERSON.</small>	<small>3RD ANGLE</small>	<small>SIZE D</small>	<small>SCALE 1/1</small>	<small>REV AG</small>
	TITLE ROSEMOUNT 3051SAL LIQUID LEVEL PRESSURE TRANSMITTER			
	<small>DR. J. ARMSTRONG</small>	<small>2/21/15</small>	<small>DRAWING NO.</small>	03151-7000
<small>APP'D P. FADELL</small>	<small>3/10/15</small>			<small>CAD MAINTAINED: (PRO/EI)</small>
				<small>SHEET 15 OF 24</small>

DRAWING NO. 03151-7000

REMOTE FLANGED SEAL (RF)
STUD BOLT DESIGN w/ 4.1-in. OPTION

	PIPE SIZE	CLASS	OVERALL HEIGHT "A"		STUD CIRCLE DIAMETER "B"	STUD PROTRUDING LENGTH "C"	LOWER HOUSING DIA. "D"		RAISE FACE DIA. "E"	UPPER OUTER DIA. "F"	WEIGHT LBS (KG)	
			W/ NO OR 1/4-IN NPT FLUSH CONN	W/ 1/2-IN NPT FLUSH CONN			W/ NO OR 1/4-IN NPT FLUSH CONN	W/ 1/2-IN NPT FLUSH CONN			W/ NO OR 1/4-IN NPT FLUSH CONN	W/ 1/2-IN NPT FLUSH CONN
ASME B16.5	1/2-in	150#	2.41 (61.3)	2.41 (61.3)	2.38 (60.5)	1.50 (38.1)	5.47 (138.9)	6.50 (165.1)	1.38 (35.1)	5.47 (138.9)	14.30 (6.49)	17.31 (7.86)
		300#	2.56 (65.1)	2.56 (65.1)	2.62 (66.5)	1.50 (38.1)	5.47 (138.9)	6.50 (165.1)	1.38 (35.1)	5.47 (138.9)	15.03 (6.82)	18.34 (8.33)
		600#	2.56 (65.1)	2.56 (65.1)	2.62 (66.5)	2.00 (50.8)	5.47 (138.9)	6.50 (165.1)	1.38 (35.1)	5.47 (138.9)	15.14 (6.87)	18.46 (8.38)
	3/4-in	150#	2.41 (61.3)	2.41 (61.3)	2.75 (69.9)	1.50 (38.1)	5.47 (138.9)	6.50 (165.1)	1.69 (42.9)	5.47 (138.9)	14.30 (6.49)	17.31 (7.86)
		300#	2.65 (67.4)	2.65 (67.4)	3.25 (82.6)	1.81 (46.0)	5.47 (138.9)	6.50 (165.1)	1.69 (42.9)	5.47 (138.9)	15.93 (7.23)	19.43 (8.82)
		600#	2.65 (67.4)	2.65 (67.4)	3.25 (82.6)	2.06 (52.4)	5.47 (138.9)	6.50 (165.1)	1.69 (42.9)	5.47 (138.9)	16.02 (7.27)	19.52 (8.86)
	1-in	150#	2.41 (61.3)	2.41 (61.3)	3.50 (88.9)	1.50 (38.1)	5.47 (138.9)	6.75 (171.5)	1.69 (42.9)	5.47 (138.9)	20.32 (9.22)	23.88 (10.84)
		300#	2.65 (67.4)	2.65 (67.4)	3.12 (79.2)	1.81 (46.0)	5.47 (138.9)	6.50 (165.1)	2.00 (50.8)	5.47 (138.9)	14.30 (6.49)	17.31 (7.86)
		600#	2.65 (67.4)	2.65 (67.4)	3.50 (88.9)	2.31 (58.7)	5.47 (138.9)	6.50 (165.1)	2.00 (50.8)	5.47 (138.9)	16.11 (7.31)	19.60 (8.90)
	1-1/2-in	150#	2.41 (61.3)	2.41 (61.3)	4.00 (101.6)	1.75 (44.5)	5.47 (138.9)	6.75 (171.5)	2.00 (50.8)	5.47 (138.9)	22.44 (10.19)	26.41 (11.99)
		300#	2.81 (71.5)	2.81 (71.5)	3.88 (98.6)	1.81 (46.0)	5.47 (138.9)	6.50 (165.1)	2.88 (73.2)	5.47 (138.9)	14.36 (6.52)	17.37 (7.88)
		600#	2.81 (71.5)	2.81 (71.5)	4.50 (114.3)	2.63 (66.7)	6.00 (152.4)	6.50 (165.1)	2.88 (73.2)	5.47 (138.9)	19.28 (8.75)	21.21 (9.63)
2-in	150#	2.41 (61.3)	2.41 (61.3)	4.88 (124.0)	1.81 (46.0)	7.00 (177.8)	7.00 (177.8)	2.88 (73.2)	5.75 (146.1)	30.85 (14.00)	30.85 (14.00)	
	300#	2.41 (61.3)	2.41 (61.3)	4.75 (120.7)	1.81 (46.0)	6.00 (152.4)	6.50 (165.1)	3.62 (91.9)	5.47 (138.9)	16.25 (7.38)	17.78 (8.07)	
	600#	2.41 (61.3)	2.41 (61.3)	4.75 (120.7)	1.81 (46.0)	6.00 (152.4)	6.50 (165.1)	3.62 (91.9)	5.47 (138.9)	16.25 (7.38)	17.78 (8.07)	
EN1092-1	DN25	PN40	2.41 (61.3)	2.41 (61.3)	3.35 (85.1)	1.65 (42.0)	5.47 (138.9)	6.50 (165.1)	2.68 (68.0)	5.47 (138.9)	14.27 (6.48)	17.28 (7.84)
		PN63	2.79 (71.0)	2.79 (71.0)	3.94 (100.1)	2.01 (51.0)	5.47 (138.9)	6.50 (165.1)	2.68 (68.0)	5.47 (138.9)	17.36 (7.88)	20.37 (9.25)
		PN100	2.79 (71.0)	2.79 (71.0)	3.94 (100.1)	2.01 (51.0)	5.75 (146.1)	6.75 (171.5)	2.68 (68.0)	5.75 (146.1)	19.09 (8.67)	22.51 (10.22)
	DN40	PN40	2.41 (61.3)	2.41 (61.3)	4.33 (110.0)	1.81 (46.0)	5.91 (150.1)	6.50 (165.1)	3.47 (88.0)	5.47 (138.9)	16.00 (7.26)	17.79 (8.08)
		PN63	2.79 (71.0)	2.79 (71.0)	4.92 (125.0)	1.81 (46.0)	6.69 (169.9)	6.75 (171.5)	3.47 (88.0)	5.47 (138.9)	21.91 (9.95)	22.11 (10.04)
		PN100	2.79 (71.0)	2.79 (71.0)	4.92 (125.0)	2.36 (60.0)	6.69 (169.9)	6.75 (171.5)	3.47 (88.0)	5.75 (146.1)	23.22 (10.54)	23.45 (10.64)



UNLESS OTHERWISE SPECIFIED DIMENSIONS IN INCHES (mm).

CONFIDENTIAL AND PROPRIETARY INFORMATION. NOT TO BE REPRODUCED OR TRANSMITTED IN ANY FORM OR BY ANY MEANS, ELECTRONIC OR MECHANICAL, INCLUDING PHOTOCOPYING, RECORDING, OR BY ANY INFORMATION STORAGE AND RETRIEVAL SYSTEM, WITHOUT THE WRITTEN PERMISSION OF EMERSON.

EMERSON
Process Management

ROSEMOUNT®

TITLE ROSEMOUNT 3051SAL LIQUID LEVEL PRESSURE TRANSMITTER

DR. J. ARMSTRONG 2/21/15 DRAWING NO. 03151-7000

APP'D P. FADELL 3/10/15

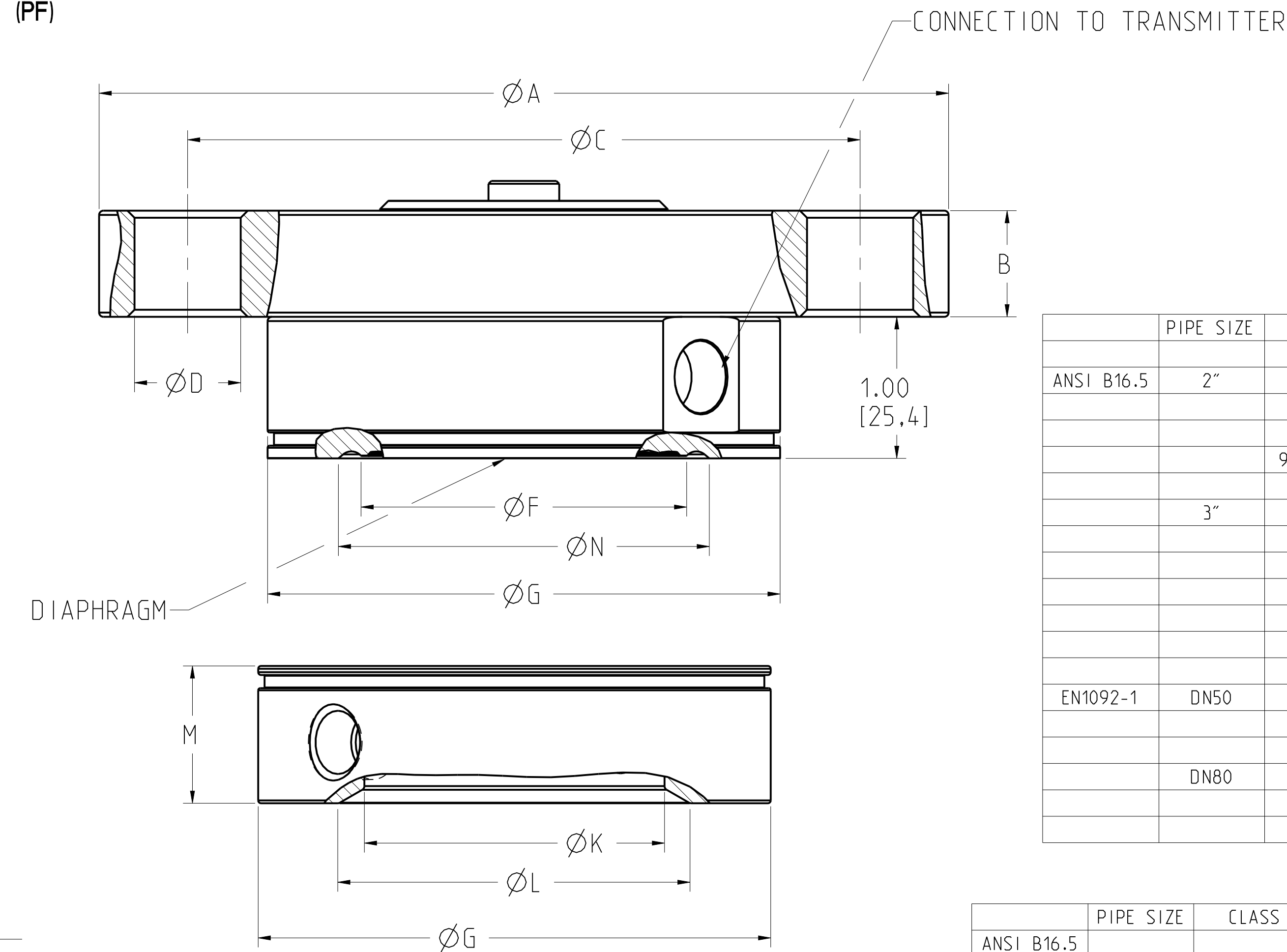
CAD MAINTAINED (PRO/EI) DOC TYPE D SHEET 16 OF 24

3RD ANGLE

SIZE D SCALE 1/1 REV AG

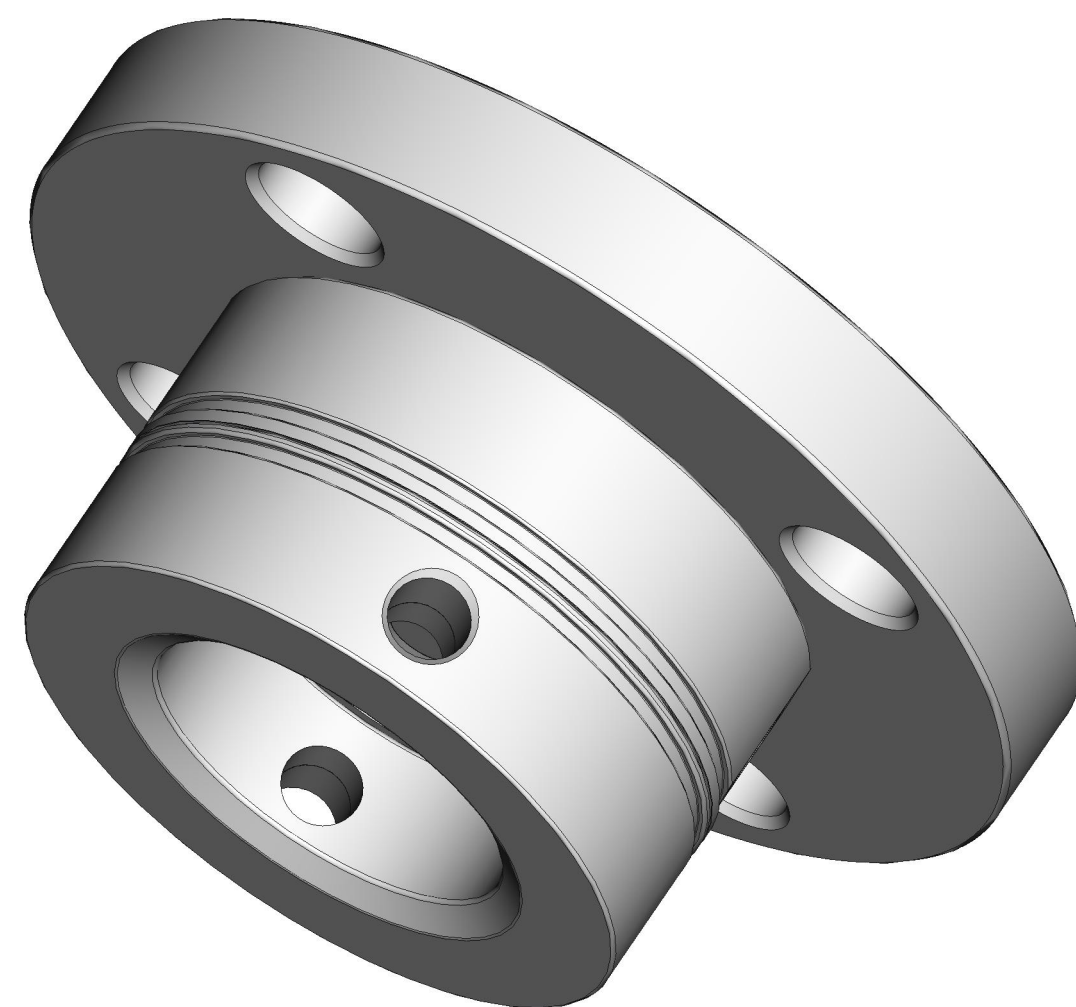
DRAWING NO. 03151-7000

FLANGED PANCAKE SEAL (PF)



	PIPE SIZE	CLASS	FLANGE DIAMETER "A"	FLANGE THICKNESS "B"	BOLT HOLE DIAMETER "C"	BOLT CIRCLE "D"	# OF BOLTS	STANDARD DIAPHRAGM DIAMETER "F"
ANSI B16.5	2"	150#	6.00 (152)	0.69 (18)	0.75 (19)	4.75 (121)	4	2.30 (58)
		300#	6.50 (165)	0.81 (21)	0.75 (19)	5.00 (127)	8	2.30 (58)
		600#	6.50 (165)	1.00 (25)	0.75 (19)	5.00 (127)	8	2.30 (58)
		900/1500#	8.50 (216)	1.50 (38)	1.00 (25)	6.50 (165)	8	2.30 (58)
		2500#	9.25 (235)	2.00 (51)	1.13 (29)	6.75 (172)	8	2.30 (58)
	3"	150#	7.50 (191)	0.88 (22)	0.75 (19)	6.00 (152)	4	3.50 (89)
		300#	8.25 (210)	1.06 (27)	0.88 (22)	6.62 (168)	8	3.50 (89)
		600#	8.25 (210)	1.25 (32)	0.88 (22)	6.62 (168)	8	3.50 (89)
		900#	10.50 (267)	1.50(38)	1.25 (32)	8.00 (203)	8	3.50 (89)
		1500#	10.50 (267)	1.88 (48)	1.25 (32)	8.00 (203)	8	3.50 (89)
		2500#	12.00 (305)	2.62 (67)	1.38 (35)	9.00 (229)	8	3.50 (89)
EN1092-1	DN50	PN40	6.50 (165)	0.67 (17)	0.79 (20)	4.92 (125)	4	2.30 (58)
		PN63	7.09 (180)	0.91 (23)	1.02 (26)	5.31 (135)	4	2.30 (58)
		PN100	7.68 (195)	0.98 (25)	1.10 (28)	5.71 (145)	4	2.30 (58)
	DN80	PN40	7.87 (200)	0.83 (21)	0.79 (20)	6.30 (160)	8	3.50 (89)
		PN63	8.46 (215)	0.98 (25)	1.02 (26)	6.69 (170)	8	3.50 (89)
		PN100	9.06 (230)	0.98 (25)	1.10 (28)	7.09 (180)	8	3.50 (89)

	PIPE SIZE	CLASS	DIAMETER "G"	INNER DIAMETER "K"	BEVELED DIAMETER "L"	THICKNESS WITH 1/4-NPT F.C. "M"	THICKNESS WITH 1/2-NPT F.C. "M"	GASKET SURFACE DIAMETER "N"	
ANSI B16.5	2"	150#	3.62 (92)	2.12 (54)	2.48 (63)	0.97 (25)	1.30 (33)	2.50 (64)	
		300#	3.62 (92)	2.12 (54)	2.48 (63)	0.97 (25)	1.30 (33)	2.50 (64)	
		600#	3.62 (92)	2.12 (54)	2.48 (63)	0.97 (25)	1.30 (33)	2.50 (64)	
		900/1500#	3.62 (92)	2.12 (54)	-	0.97 (25)	1.30 (33)	2.50 (64)	
		2500#	3.62 (92)	2.12 (54)	-	0.97 (25)	1.30 (33)	2.50 (64)	
		3"	150#	5.00 (127)	3.60 (91)	-	0.97 (25)	1.30 (33)	3.70 (94)
			300#	5.00 (127)	3.60 (91)	-	0.97 (25)	1.30 (33)	3.70 (94)
600#	5.00 (127)		3.60 (91)	-	0.97 (25)	1.30 (33)	3.70 (94)		
900#	5.00 (127)		3.60 (91)	-	0.97 (25)	1.30 (33)	3.70 (94)		
1500#	5.00 (127)		3.60 (91)	-	0.97 (25)	1.30 (33)	3.70 (94)		
2500#	5.00 (127)		3.60 (91)	-	0.97 (25)	1.30 (33)	3.70 (94)		
EN1092-1	DN50	PN40	4.00 (102)	2.40 (61)	-	0.97 (25)	1.30 (33)	2.50 (64)	
		PN63	4.00 (102)	2.40 (61)	-	0.97 (25)	1.30 (33)	2.50 (64)	
		PN100	4.00 (102)	2.40 (61)	-	0.97 (25)	1.30 (33)	2.50 (64)	
	DN80	PN40	5.43 (138)	3.60 (91)	-	0.97 (25)	1.30 (33)	3.70 (94)	
		PN63	5.43 (138)	3.60 (91)	-	0.97 (25)	1.30 (33)	3.70 (94)	
		PN100	5.43 (138)	3.60 (91)	-	0.97 (25)	1.30 (33)	3.70 (94)	



DIMENSIONS IN INCHES (MILLIMETERS)

DRAWING NO. 03151-7000

UNLESS OTHERWISE SPECIFIED DIMENSIONS IN INCHES (mm).

CONFIDENTIAL AND PROPRIETARY INFORMATION. NOT TO BE REPRODUCED OR TRANSMITTED IN ANY FORM OR BY ANY MEANS, ELECTRONIC OR MECHANICAL, INCLUDING PHOTOCOPYING, RECORDING, OR BY ANY INFORMATION STORAGE AND RETRIEVAL SYSTEM, WITHOUT THE WRITTEN PERMISSION OF EMERSON.

EMERSON
Process Management
ROSEMOUNT®

3RD ANGLE

SIZE D SCALE 1/1 REV AG

INFORMATION WITHIN THIS DOCUMENT IS UNCLASSIFIED FOR PUBLIC RELEASE. ANY USE OF THIS INFORMATION FOR ENGINEERING, REFERENCE, REPRODUCTION, OR FOR ANY OTHER PURPOSE WITHOUT THE WRITTEN PERMISSION OF EMERSON IS PROHIBITED.

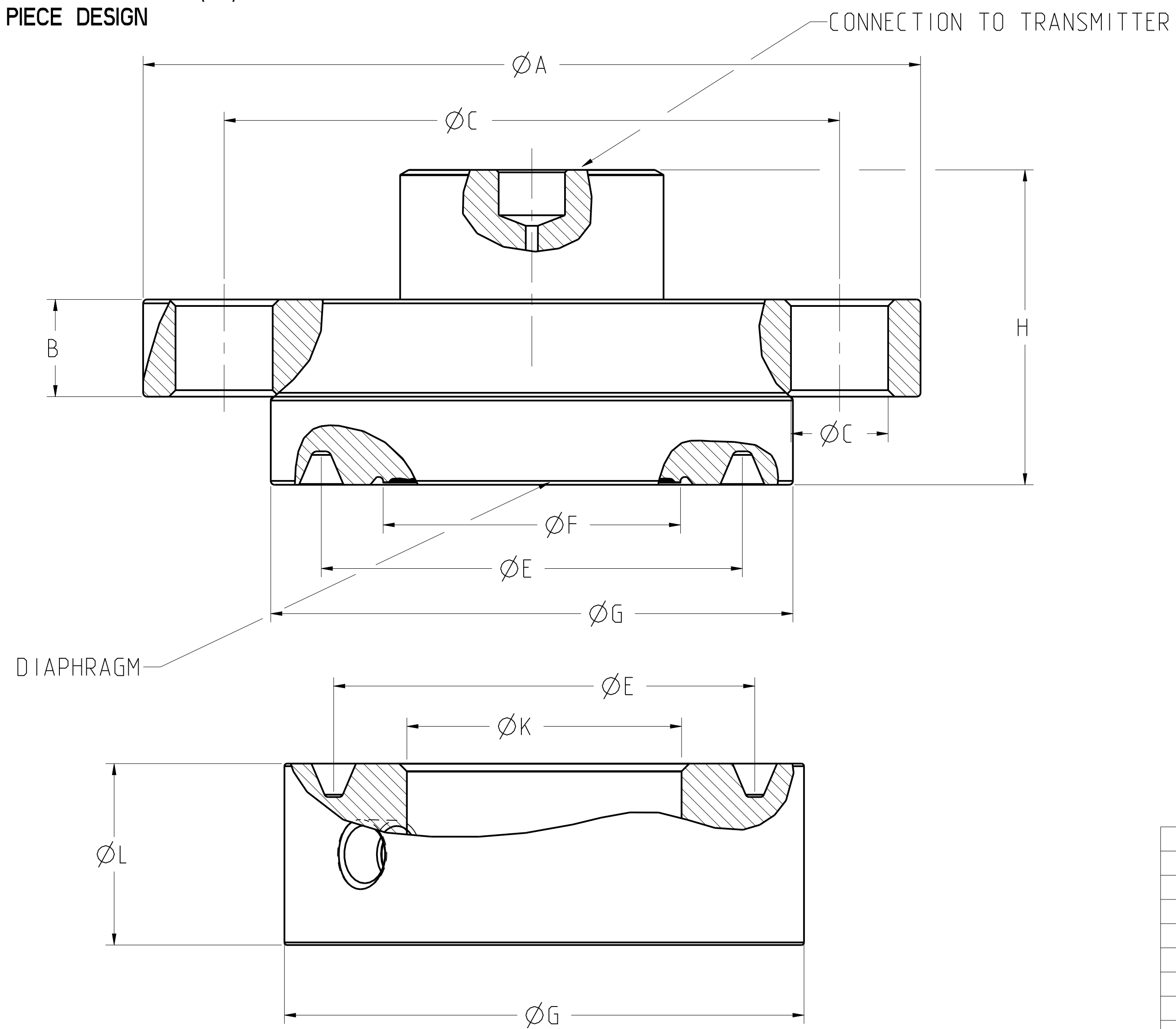
TITLE ROSEMOUNT 3051SAL LIQUID LEVEL PRESSURE TRANSMITTER

DR. J. ARMSTRONG 2/21/15 DRAWING NO. 03151-7000

APP'D P. FADELL 3/10/15

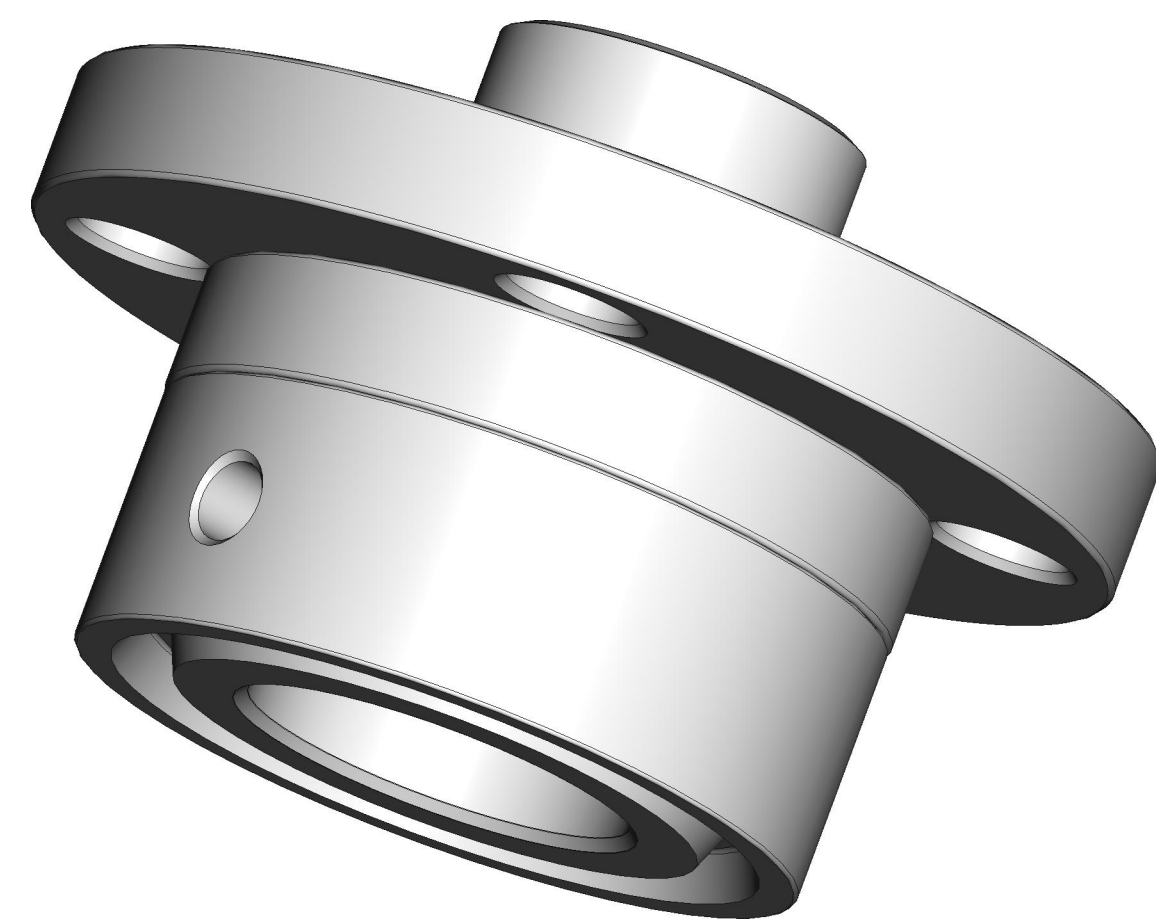
CAD MAINTAINED (PRO/EI) DOC TYPE D SHEET 17 OF 24

FLUSH FLANGED SEAL (FC)
TWO PIECE DESIGN



	PIPE SIZE	CLASS	FLANGE DIAMETER "A"	FLANGE THICKNESS "B"	BOLT HOLE DIAMETER "C"	BOLT CIRCLE "D"	RTJ DIAMETER "E"	DIAPHRAGM DIAMETER "F"
ANSI B16.5	2"	150#	6.00 (152)	0.69 (18)	0.75 (19)	4.75 (121)	3.25 (83)	2.30 (58)
		300#	6.50 (165)	0.82 (21)	0.75 (19)	5.00 (127)	3.25 (83)	2.30 (58)
		600#	6.50 (165)	1.00 (25)	0.75 (19)	5.00 (127)	3.25 (83)	2.30 (58)
		1500#	8.50 (216)	1.50 (38)	1.00 (25)	6.50 (165)	3.75 (95)	2.30 (58)
3"	150#	2500#	9.25 (235)	2.00 (51)	1.14 (29)	6.75 (171)	4.00 (102)	3.50 (89)
		150#	7.50 (191)	0.88 (22)	0.75 (19)	6.00 (152)	4.50 (114)	3.50 (89)
		300#	8.25 (210)	1.06 (27)	0.88 (22)	6.62 (168)	4.88 (124)	3.50 (89)
		600#	8.25 (210)	1.25 (32)	0.88 (22)	6.62 (168)	4.88 (124)	3.50 (89)
		900#	9.50 (241)	1.50 (38)	1.00 (25)	7.50 (191)	4.88 (124)	3.50 (89)
1500#	10.50 (267)	1.88 (48)	1.25 (32)	8.00 (203)	5.38 (137)	3.50 (89)		
	2500#	12.00 (305)	2.62 (67)	1.38 (35)	9.00 (229)	5.00 (127)	3.50 (89)	

	PIPE SIZE	CLASS	RAISED FACE DIAMETER "G"	OVERALL HEIGHT "H"	RAISED FACE HEIGHT "J"	INNER DIAMETER "K"	THICKNESS WITH 1/4-NPT F.C. "L"	THICKNESS WITH 1/2-NPT F.C. "L"
ANSI B16.5	2"	150#	4.00 (102)	2.43 (62)	0.68 (17)	2.12 (54)	1.4 (36)	1.7 (43)
		300#	4.25 (108)	2.43 (62)	0.68 (17)	2.12 (54)	1.4 (36)	1.7 (43)
		600#	4.25 (108)	2.43 (62)	0.68 (17)	2.12 (54)	1.4 (36)	1.7 (43)
		1500#	4.88 (124)	2.57 (65)	0.82 (21)	2.12 (54)	1.4 (36)	1.7 (43)
		2500#	5.25 (133)	3.07 (78)	0.82 (21)	2.12 (54)	1.4 (36)	1.7 (43)
3"	150#	150#	5.25 (133)	2.43 (62)	0.68 (17)	3.60 (91)	1.5 (38)	1.8 (46)
		300#	5.75 (146)	2.43 (62)	0.68 (17)	3.60 (91)	1.5 (38)	1.8 (46)
		600#	5.75 (146)	2.43 (62)	0.68 (17)	3.60 (91)	1.5 (38)	1.8 (46)
		900#	6.12 (155)	2.57 (65)	0.82 (21)	3.60 (91)	1.5 (38)	1.8 (46)
		1500#	6.62 (168)	3.07 (78)	0.82 (21)	3.60 (91)	1.5 (38)	1.8 (46)
		1500#	6.62 (168)	4.07 (103)	0.82 (21)	3.60 (91)	1.5 (38)	1.8 (46)
		2500#	6.62 (168)	4.07 (103)	0.82 (21)	3.60 (91)	1.5 (38)	1.8 (46)



DIMENSIONS IN INCHES (MILLIMETERS)

UNLESS OTHERWISE SPECIFIED DIMENSIONS IN INCHES (mm).

CONFIDENTIAL AND PROPRIETARY INFORMATION. THIS DOCUMENT IS THE PROPERTY OF EMERSON. IT IS TO BE USED ONLY FOR THE PURPOSES SPECIFIED IN THE ORDER AND MUST BE HANDLED ACCORDINGLY.

EMERSON

INFORMATION WITHIN THIS DOCUMENT IS CHANGED WITHOUT NOTICE. FOR THE LATEST INFORMATION, REFER TO THE EMERSON WEBSITE: www.emerson.com. ENGINEERING USE - REFERENCE ONLY. NOT TO BE USED FOR CONSTRUCTION OR FABRICATION.

ROSEMOUNT

EMERSON Process Management

3RD ANGLE

SIZE D

SCALE 1/1

REV AG

TITLE ROSEMOUNT 3051SAL LIQUID LEVEL PRESSURE TRANSMITTER

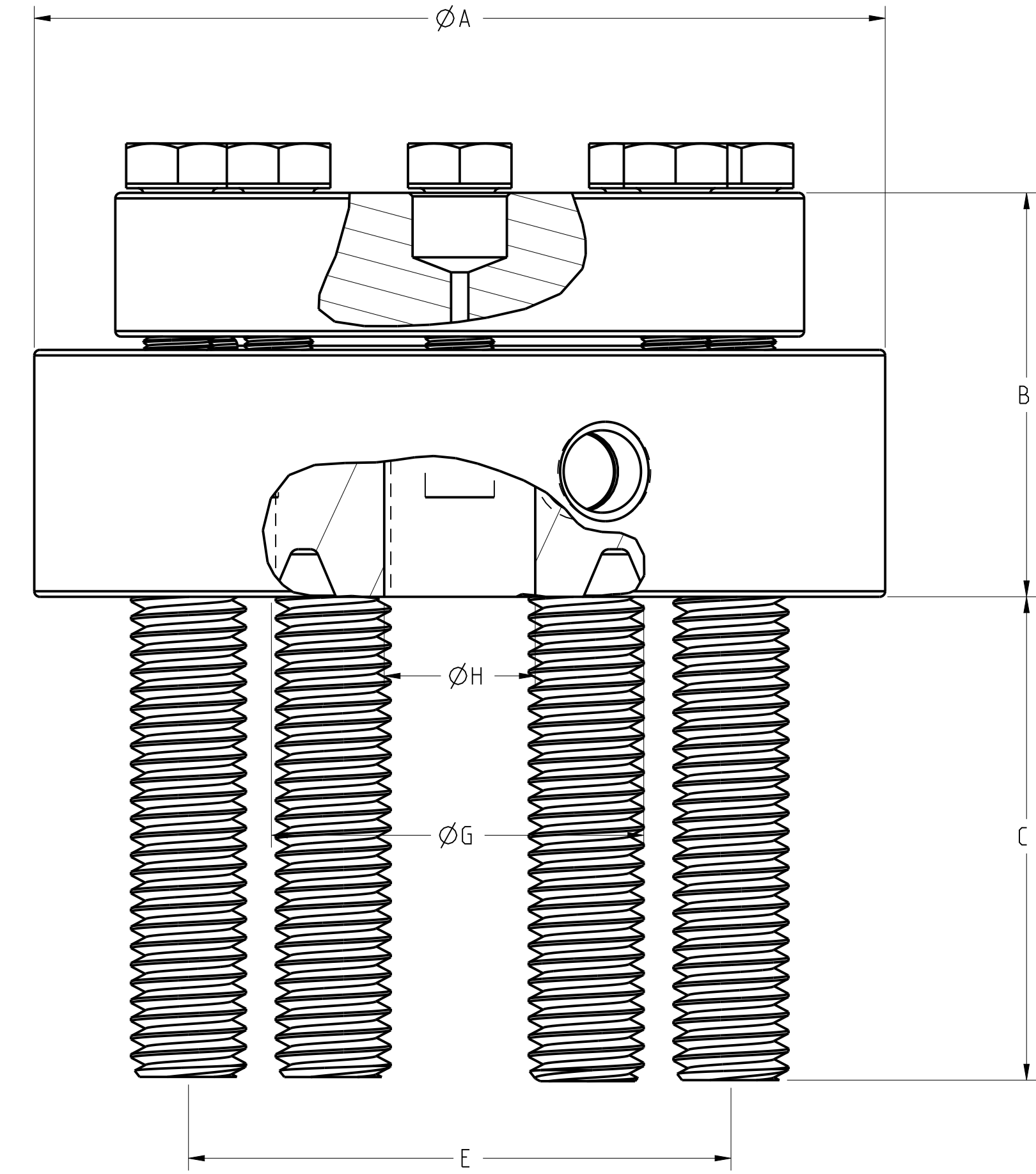
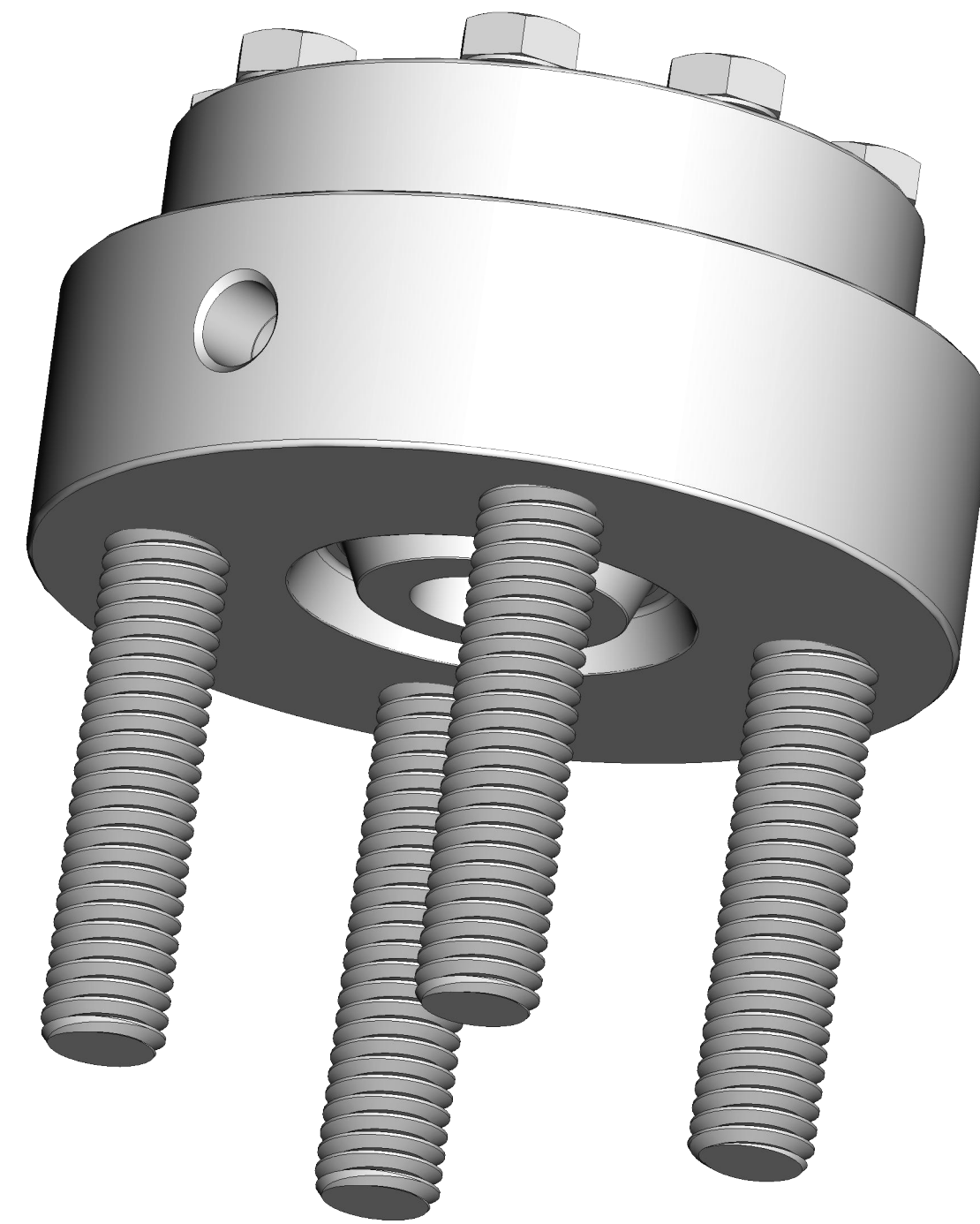
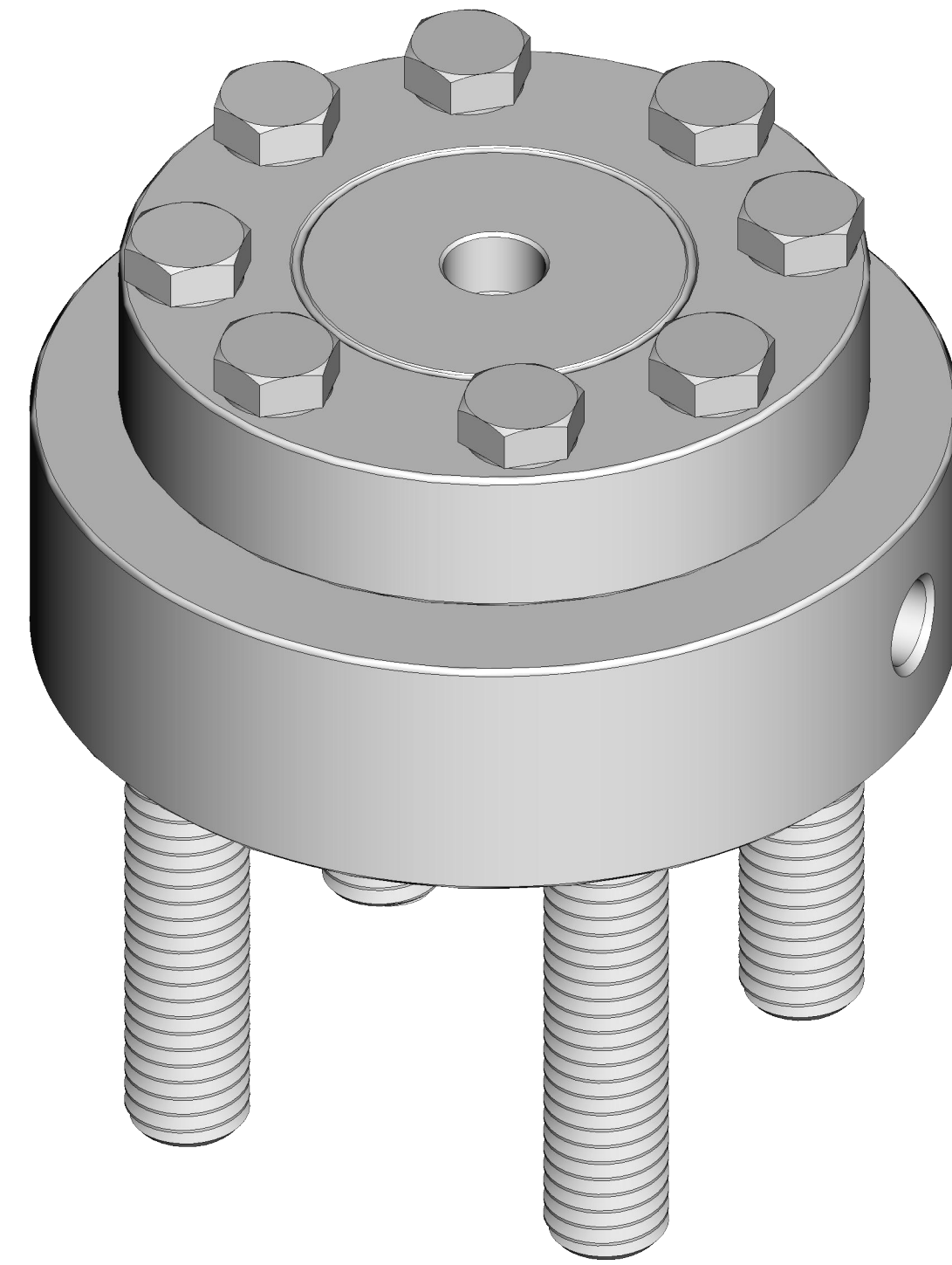
DR. J. ARMSTRONG 2/21/15 DRAWING NO. 03151-7000

APP'D P. FADELL 3/10/15

CAD MAINTAINED: (PRO/EI) DOC TYPE: D SHEET 18 OF 24

DRAWING NO. 03151-7000

REMOTE FLANGED SEAL-RING
TYPE JOINT GASKET SURFACE
(RC)
STUD BOLT DESIGN



	PIPE SIZE	ANSI CLASS	LOWER DIAMETER Ø"A"	OVERALL HEIGHT "B"	OVERALL HEIGHT "B"	PROTRUDING STUD LENGTH "C"	UPPER DIAMETER Ø"D"	STUD BOLT CIRCLE Ø"E"	STUD BOLT DIAMETER Ø"F"	RTJ GROOVE PITCH DIAMETER Ø"G"	PROCESS HOLE DIAMETER Ø"H"	WEIGHT LBS (KG)
				W/NO OR 1/4-IN NPT FLUSH CONN.	W/ 1/2-IN NPT FLUSH CONN.							
ASME B16.5	1/2"	300/600#	3.74 (95.0)	2.18 (55.4)	2.40 (61)	2.00 (50.8)	3.74 (95.0)	2.62 (66.5)	0.50 (12.7)	1.34 (34.0)	0.62 (15.7)	6.55 (2.97)
		900/1500#	4.74 (120.4)	2.74 (69.6)	3.00 (76.2)	3.25 (82.6)	4.00 (101.6)	3.25 (82.6)	0.75 (19.1)	1.56 (39.6)	0.62 (15.7)	12.51 (5.68)
		2500#	5.25 (133.4)	4.49 (114.0)	4.49 (114.0)	3.63 (92.2)	4.98 (126.5)	3.50 (88.9)	0.75 (19.1)	1.67 (42.4)	0.62 (15.7)	26.99 (12.25)
	3/4"	300/600#	4.62 (117.3)	2.21 (56.1)	2.43 (61.7)	2.37 (60.2)	3.74 (95.0)	3.25 (82.6)	0.63 (16.0)	1.69 (42.9)	0.82 (20.8)	8.96 (4.07)
		900/1500#	5.12 (130.0)	2.74 (69.6)	2.95 (74.9)	3.25 (82.6)	4.00 (101.6)	3.50 (88.9)	0.75 (19.1)	1.75 (44.5)	0.82 (20.8)	13.63 (6.19)
		2500#	5.74 (145.8)	4.49 (114.0)	4.49 (114.0)	3.63 (92.2)	4.98 (126.5)	3.75 (95.3)	0.75 (19.1)	2.00 (50.8)	0.82 (20.8)	29.49 (13.39)
	1"	150#	4.24 (107.7)	2.13 (54.1)	2.43 (61.7)	2.00 (50.8)	3.74 (95.0)	3.12 (79.2)	0.50 (12.7)	1.88 (47.8)	1.05 (26.7)	7.30 (3.31)
		300/600#	4.88 (124.0)	2.21 (56.1)	2.43 (61.7)	2.37 (60.2)	3.74 (95.0)	3.50 (88.9)	0.63 (16.0)	2.00 (50.8)	1.05 (26.7)	9.58 (4.35)
		900/1500#	5.88 (149.4)	2.74 (69.6)	2.97 (75.4)	3.62 (91.9)	4.00 (101.6)	4.00 (101.6)	0.88 (22.4)	2.00 (50.8)	1.05 (26.7)	17.05 (7.74)
		2500#	6.25 (158.8)	4.49 (114.0)	4.49 (114.0)	4.06 (103.1)	4.98 (126.5)	4.25 (108.0)	0.88 (22.4)	2.38 (60.5)	1.05 (26.7)	32.85 (14.91)
	1-1/2"	150#	4.99 (126.7)	2.43 (61.7)	2.43 (61.7)	2.00 (50.8)	3.74 (95.0)	3.88 (98.6)	0.50 (12.7)	2.56 (65.0)	1.61 (40.9)	10.43 (4.73)
		300/600#	6.12 (155.4)	2.43 (61.7)	2.43 (61.7)	3.25 (82.6)	3.74 (95.0)	4.50 (114.3)	0.75 (19.1)	2.69 (68.3)	1.61 (40.9)	15.67 (7.11)
		900/1500#	6.99 (177.5)	3.05 (77.5)	3.05 (77.5)	3.50 (88.9)	4.00 (101.6)	4.88 (124.0)	1.00 (25.4)	2.69 (68.3)	1.61 (40.9)	24.75 (11.24)

DIMENSIONS IN INCHES (MILLIMETERS)

UNLESS OTHERWISE SPECIFIED DIMENSIONS IN INCHES (MILLIMETERS).

CONFIDENTIAL AND PROPRIETARY INFORMATION. THIS DOCUMENT IS THE PROPERTY OF EMERSON AND MUST BE HANDLED ACCORDINGLY.

EMERSON
Process Management
ROSEMOUNT®

INFORMATION WITHIN THIS DOCUMENT IS UNCLASSIFIED AND IS NOT TO BE RELEASED TO THE PUBLIC WITHOUT THE WRITTEN PERMISSION OF EMERSON. ENGINEERING USE - REFERENCE TO THIS DOCUMENT FOR DATA SHEETS IS NOT PERMITTED.

3RD ANGLE

SIZE D

SCALE 1/1

REV AG

TITLE ROSEMOUNT 3051SAL LIQUID LEVEL PRESSURE TRANSMITTER

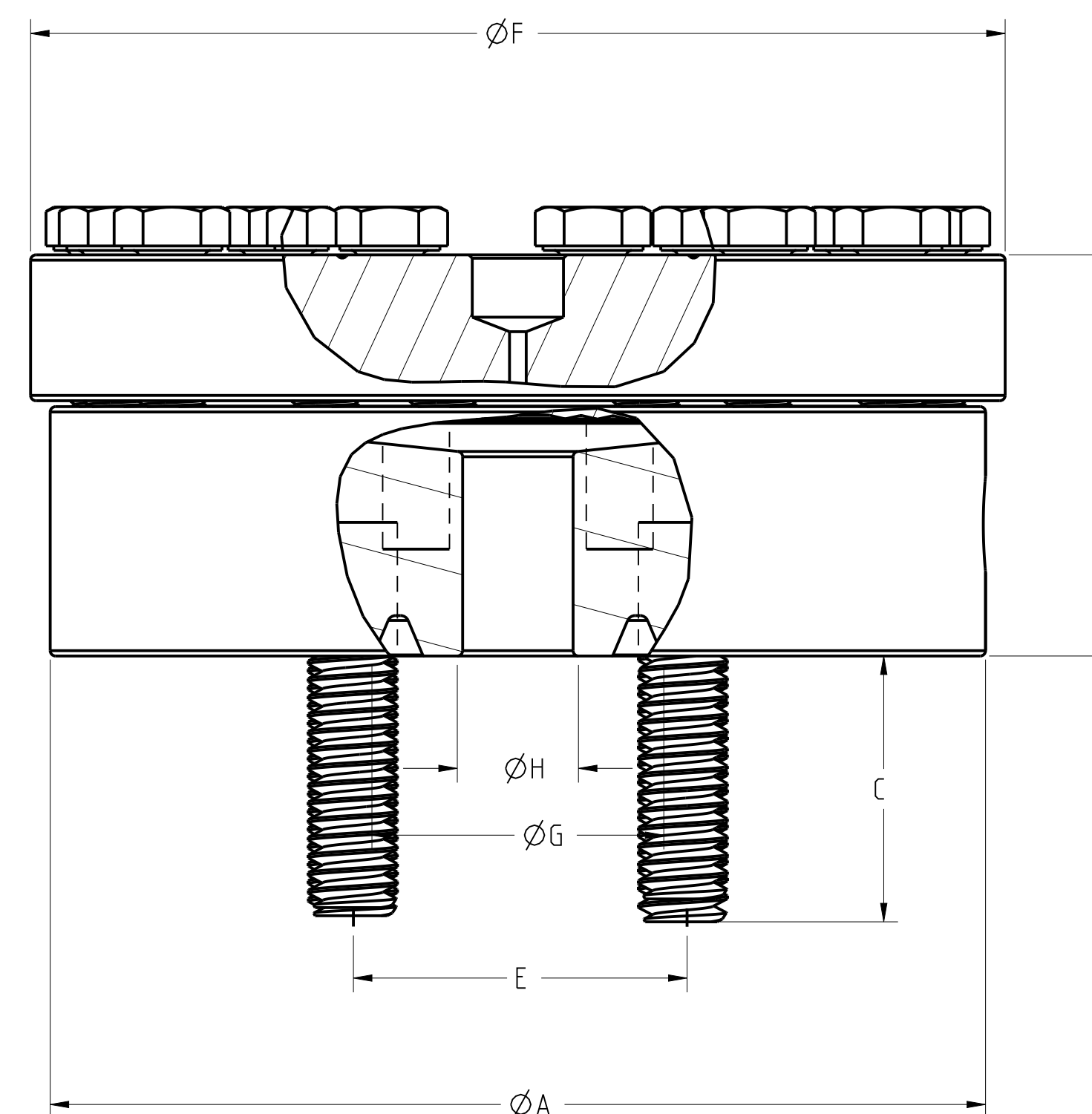
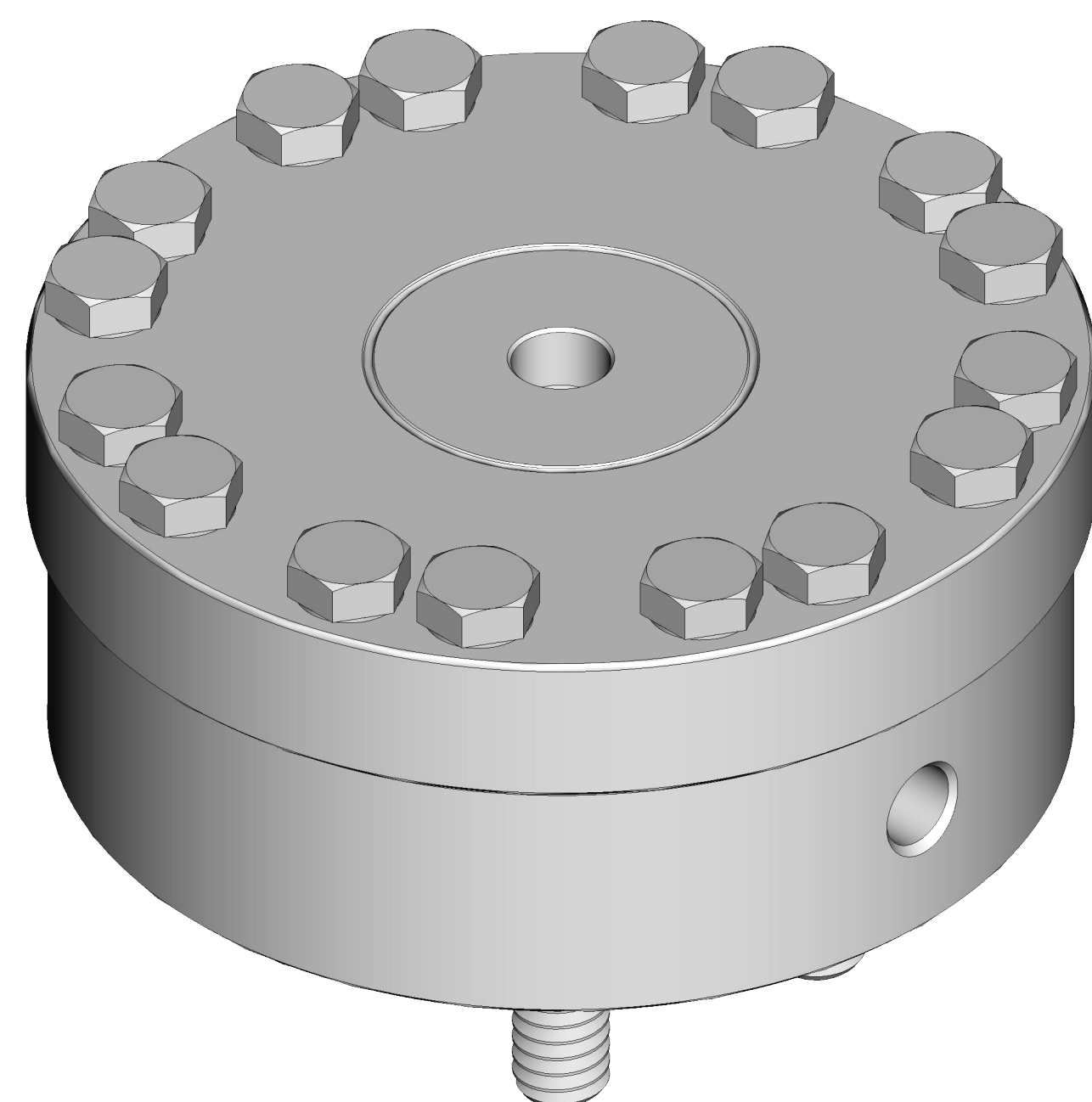
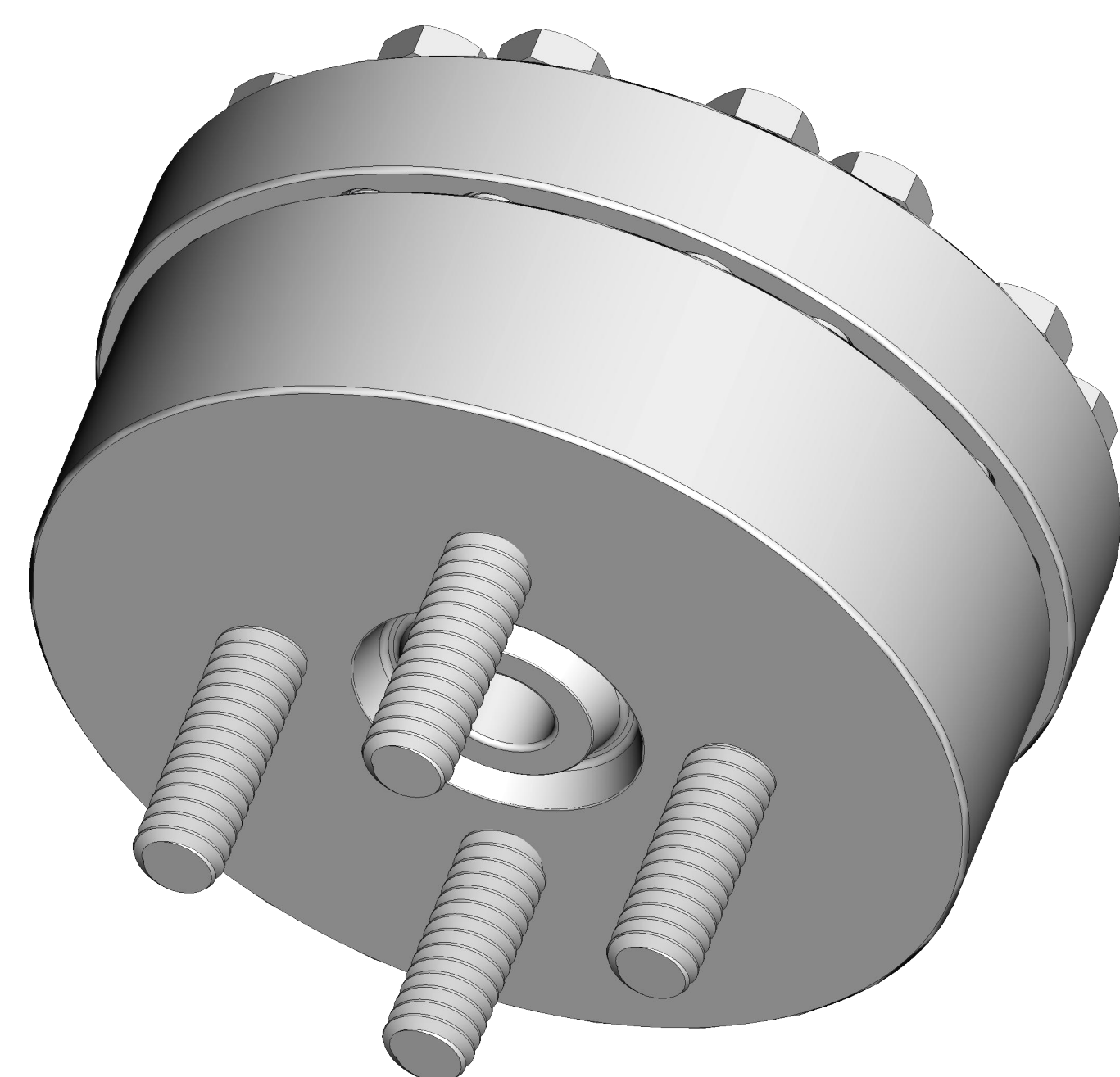
DR. J. ARMSTRONG 2/21/15 DRAWING NO. 03151-7000

APP'D P. FADELL 3/10/15

CAD MAINTAINED (PRO/EI) DOC TYPE D SHEET 19 OF 24

DRAWING NO. 03151-7000

REMOTE FLANGED SEAL-RING
TYPE JOINT GASKET SURFACE
(RC) STUD BOLT DESIGN
w/ 4.1-in OPTION



	PIPE SIZE	CLASS	LOWER HOUSING DIA. "A"		OVERALL HEIGHT "B"		STUD PROTRUDING LENGTH "C"	UPPER DIAMETER "D"	STUD BOLT CIRCLE "E"	STUD BOLT DIAMETER "F"
			W/ NO OR 1/4-IN NPT FLUSH CONN	W/ 1/2-IN NPT FLUSH CONN	W/ NO OR 1/4-IN NPT FLUSH CONN	W/ 1/2-IN NPT FLUSH CONN				
ASME B16.5	1/2-in	300/600#	5.47 (138.9)	6.50 (165.1)	2.31 (58.8)	2.51 (63.9)	2.00 (50.8)	5.47 (138.9)	2.62 (66.5)	0.50 (12.7)
		900#	5.75 (146.1)	6.75 (171.5)	2.81 (71.5)	2.81 (71.5)	2.63 (66.7)	5.75 (146.1)	3.25 (82.6)	0.75 (19.1)
	3/4-in	300/600#	5.47 (138.9)	6.50 (165.1)	2.36 (60.0)	2.51 (63.9)	2.31 (58.7)	5.47 (138.9)	3.25 (82.6)	0.63 (15.9)
		900#	5.75 (146.1)	6.75 (171.5)	2.79 (71.0)	2.79 (71.0)	2.88 (73.0)	5.75 (146.1)	3.50 (88.9)	0.75 (19.1)
	1-in	150#	5.47 (138.9)	6.50 (165.1)	2.31 (58.8)	2.51 (63.9)	2.00 (50.8)	5.47 (138.9)	3.12 (79.2)	0.50 (12.7)
		300/600#	5.47 (138.9)	6.50 (165.1)	2.41 (61.3)	2.51 (63.9)	2.31 (58.7)	5.47 (138.9)	3.50 (88.9)	0.63 (15.9)
		900#	5.88 (149.4)	6.75 (171.5)	3.01 (76.6)	3.01 (76.6)	3.19 (81.0)	5.75 (146.1)	4.00 (101.6)	0.88 (22.2)
	1-1/2-in	150#	5.47 (138.9)	6.50 (165.1)	2.31 (58.8)	2.51 (63.9)	2.25 (57.2)	5.47 (138.9)	3.88 (98.6)	0.50 (12.7)
		300/600#	6.12 (155.4)	6.50 (165.1)	2.56 (65.1)	2.56 (65.1)	2.63 (66.7)	5.47 (138.9)	4.50 (114.3)	0.75 (19.1)
		900#	7.00 (177.8)	7.00 (177.8)	3.61 (91.8)	3.61 (91.8)	3.25 (82.6)	5.75 (146.1)	4.88 (124.0)	1.00 (25.4)
	2-in	150#	6.00 (152.4)	6.50 (165.1)	2.66 (67.7)	2.51 (63.9)	2.31 (58.7)	5.47 (138.9)	4.75 (120.7)	0.63 (15.9)
		300/600#	6.50 (165.1)	6.50 (165.1)	3.11 (79.1)	3.11 (79.1)	2.81 (71.4)	5.47 (138.9)	5.00 (127.0)	0.63 (15.9)
		900#	8.50 (215.9)	8.50 (215.9)	3.56 (90.5)	3.56 (90.5)	3.44 (87.3)	5.75 (146.1)	6.50 (165.1)	0.88 (22.2)

	PIPE SIZE	CLASS	RTJ GROOVE PITCH DIA "G"	PROCESS INNER DIA. "H"	WEIGHT LBS (KG)	
					W/ NO OR 1/4-IN NPT FLUSH CONN	W/ 1/2-IN NPT FLUSH CONN
ASME B16.5	1/2-in	300/600#	1.34 (34.1)	0.62 (15.7)	14.06 (6.38)	18.33 (8.32)
		900#	1.56 (39.7)	0.62 (15.7)	20.23 (9.18)	23.76 (10.78)
	3/4-in	300/600#	1.69 (42.9)	0.82 (20.8)	14.83 (6.73)	18.85 (8.56)
		900#	1.75 (44.5)	0.82 (20.8)	20.25 (9.19)	23.74 (10.77)
	1-in	150#	1.88 (47.6)	1.05 (26.7)	14.06 (6.38)	18.33 (8.32)
		300/600#	2.00 (50.8)	1.05 (26.7)	15.08 (6.85)	18.85 (8.56)
		900#	2.00 (50.8)	1.05 (26.7)	23.02 (10.45)	26.48 (12.02)
	1-1/2-in	150#	2.56 (65.1)	1.61 (40.9)	14.11 (6.41)	18.38 (8.34)
		300/600#	2.69 (68.3)	1.61 (40.9)	18.65 (8.47)	19.97 (9.06)
		900#	2.69 (68.3)	1.61 (40.9)	33.63 (15.27)	33.63 (15.27)
	2-in	150#	3.25 (82.6)	2.07 (52.6)	18.09 (8.21)	18.85 (8.56)
		300/600#	3.25 (82.6)	2.07 (52.6)	24.57 (11.15)	24.57 (11.15)
		900#	3.75 (95.3)	2.07 (52.6)	42.19 (19.15)	42.19 (19.15)

UNLESS OTHERWISE SPECIFIED DIMENSIONS IN INCHES (MM).

CONFIDENTIAL AND PROPRIETARY INFORMATION. THIS DRAWING IS THE PROPERTY OF EMERSON AND MUST BE HANDLED ACCORDINGLY.

EMERSON

INFORMATION WITHIN THIS DOCUMENT IS UNCLASSIFIED UNLESS INDICATED OTHERWISE. FOR MORE INFORMATION, CONTACT THE EMERSON ENGINEERING USE-REFERENCE ROSEMOUNT PRODUCT DATA SHEETS ENGINEERING INFORMATION.

3RD ANGLE

EMERSON Process Management **ROSEMOUNT**

TITLE ROSEMOUNT 3051SAL LIQUID LEVEL PRESSURE TRANSMITTER

DR. J. ARMSTRONG 2/21/15 DRAWING NO. 03151-7000

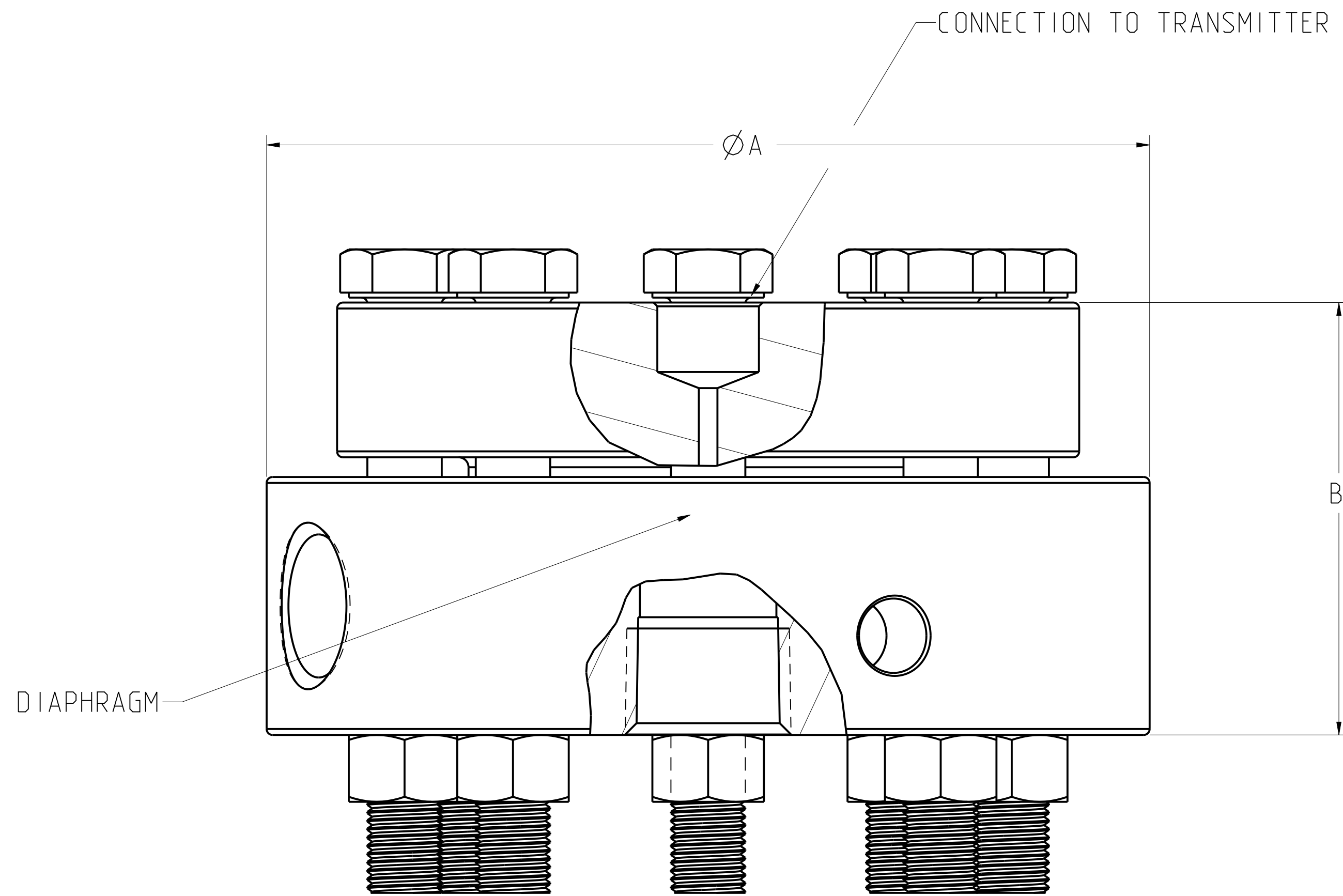
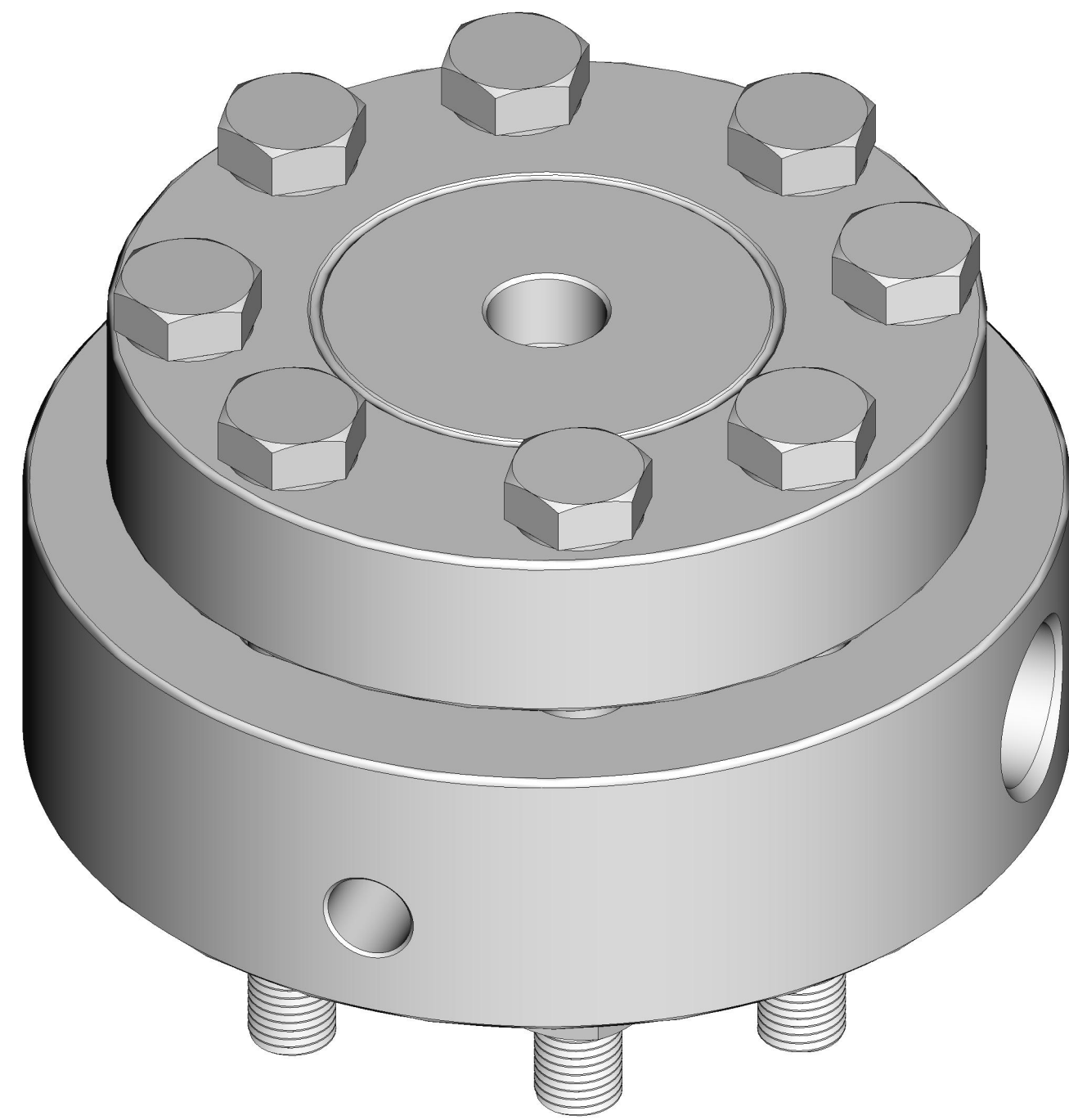
APP'D P. FADELL 3/10/15

CAD MAINTAINED (PRO/EI) DOC TYPE D SHEET 20OF 24

DRAWING NO. 03151-7000

REMOTE THREADED SEAL
(RT)

PRESSURE RATING	OVERALL DIAMETER "A"		OVERALL HEIGHT "B"		WEIGHT LBS (KG)	
	W/NO OR 1/4-IN NPT FLUSH CONN.	W/ 1/2-IN NPT FLUSH CONN.	W/NO OR 1/4-IN NPT FLUSH CONN.	W/ 1/2-IN NPT FLUSH CONN.	W/NO OR 1/4-IN NPT FLUSH CONN.	W/ 1/2-IN NPT FLUSH CONN.
2500 psi (172 bar)	3.74 (95.0)	4.45 (113.0)	1.92 (48.8)	2.17 (55.1)	5.89 (2.67)	8.24 (3.74)
5000 psi (345 bar)	4.00 (101.6)	4.00 (101.6)	2.49 (63.2)	2.77 (70.4)	9.41 (4.27)	10.29 (4.67)
10000 psi (690 bar)	5.23 (132.8)	5.98 (151.9)	4.49 (114.0)	4.49 (114.0)	28.45 (12.90)	28.36 (12.86)
(4.1-IN) 1500 psi (103 bar)	5.75 (146.1)	6.30 (160)	1.96 (49.9)	2.21 (56.2)	12.93 (5.87)	17.29 (7.85)



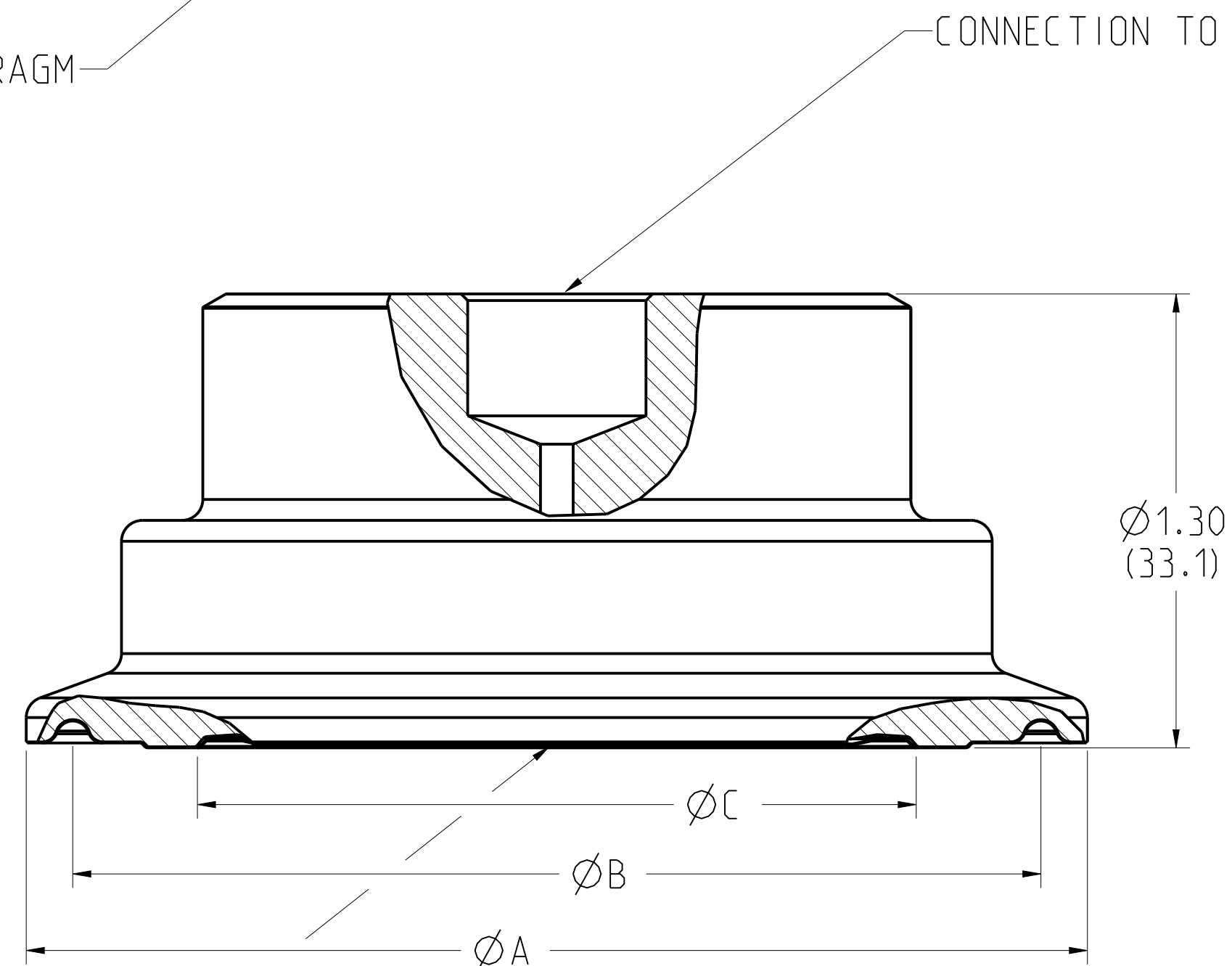
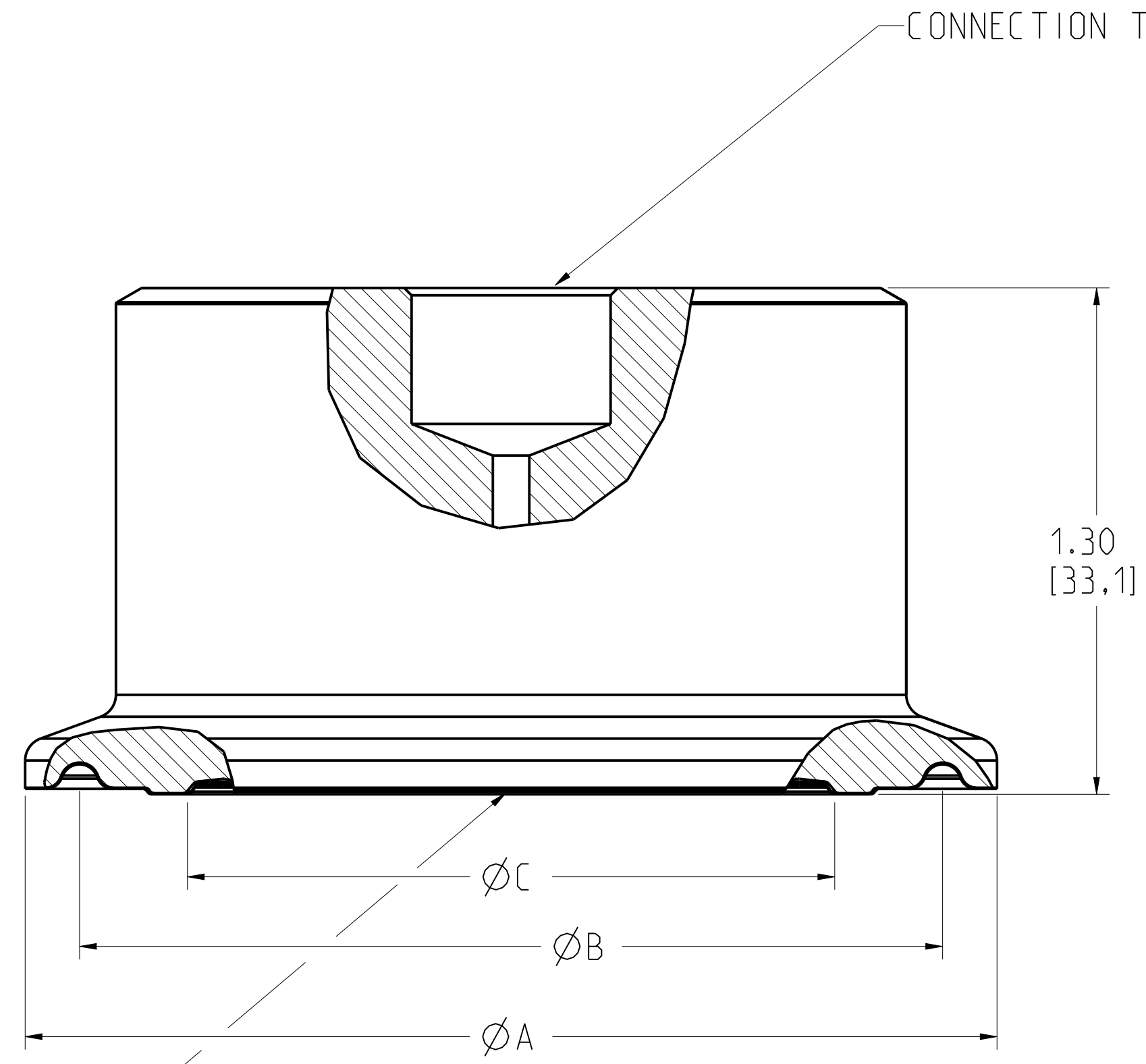
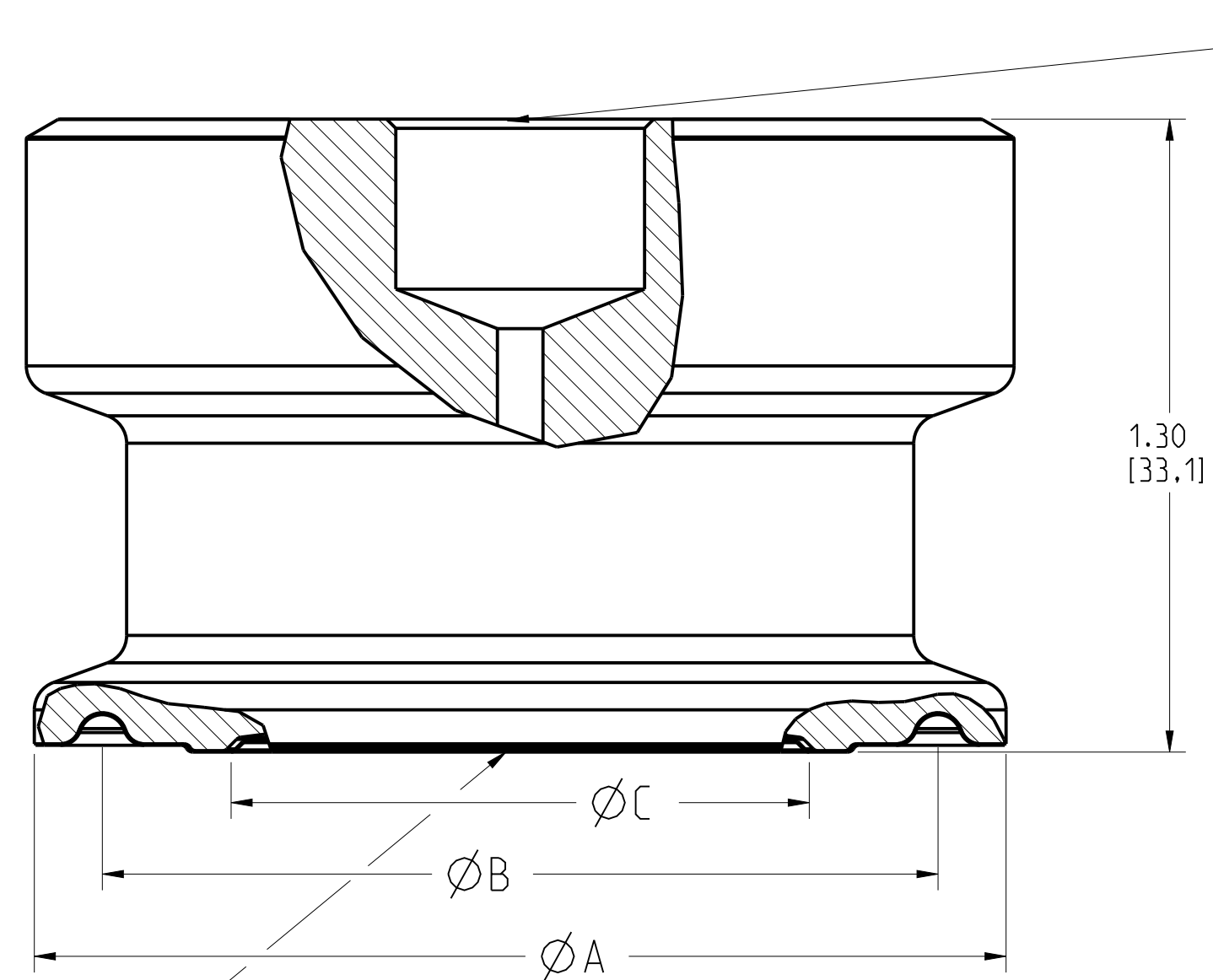
DIMENSIONS IN INCHES (MILLIMETERS)

<small>UNLESS OTHERWISE SPECIFIED DIMENSIONS IN INCHES (mm).</small> <small>CONFIDENTIAL AND PROPRIETARY INFORMATION. REPRODUCTION, DISSEMINATION, OR USE OF THIS DOCUMENT IS PROHIBITED WITHOUT THE WRITTEN PERMISSION OF EMERSON.</small>	<small>3RD ANGLE</small> 	<small>SIZE</small> D	<small>SCALE</small> 1/1	<small>REV</small> AG
	TITLE ROSEMOUNT 3051SAL LIQUID LEVEL PRESSURE TRANSMITTER			
	DR. J. ARMSTRONG APP'D P. FADELL	2/21/15 3/10/15	DRAWING NO. 03151-7000	
<small>CAD MAINTAINED. (PRO/EI)</small>				<small>DOC TYPE</small> D <small>SHEET</small> 21 OF 24

DRAWING NO. 03151-7000

HYGIENIC TRI-CLOVER STYLE TRI-CLAMP SEALS (SC)

PIPE SIZE	OUTTER DIAMETER "A"	O-RING GROOVE DIAMETER "B"	DIAPHRAGM DIAMETER "C"
1-1/2"	2.00 (50.8)	1.72 (43.7)	1.21 (30.7)
2"	2.50 (63.5)	2.22 (56.4)	1.68 (42.7)
2-1/2"	3.05 (77.5)	2.78 (70.6)	2.07 (52.6)
3"	3.58 (90.9)	3.28 (83.3)	2.58 (65.5)
4"	4.68 (118.9)	4.35 (110.5)	3.66 (93.0)



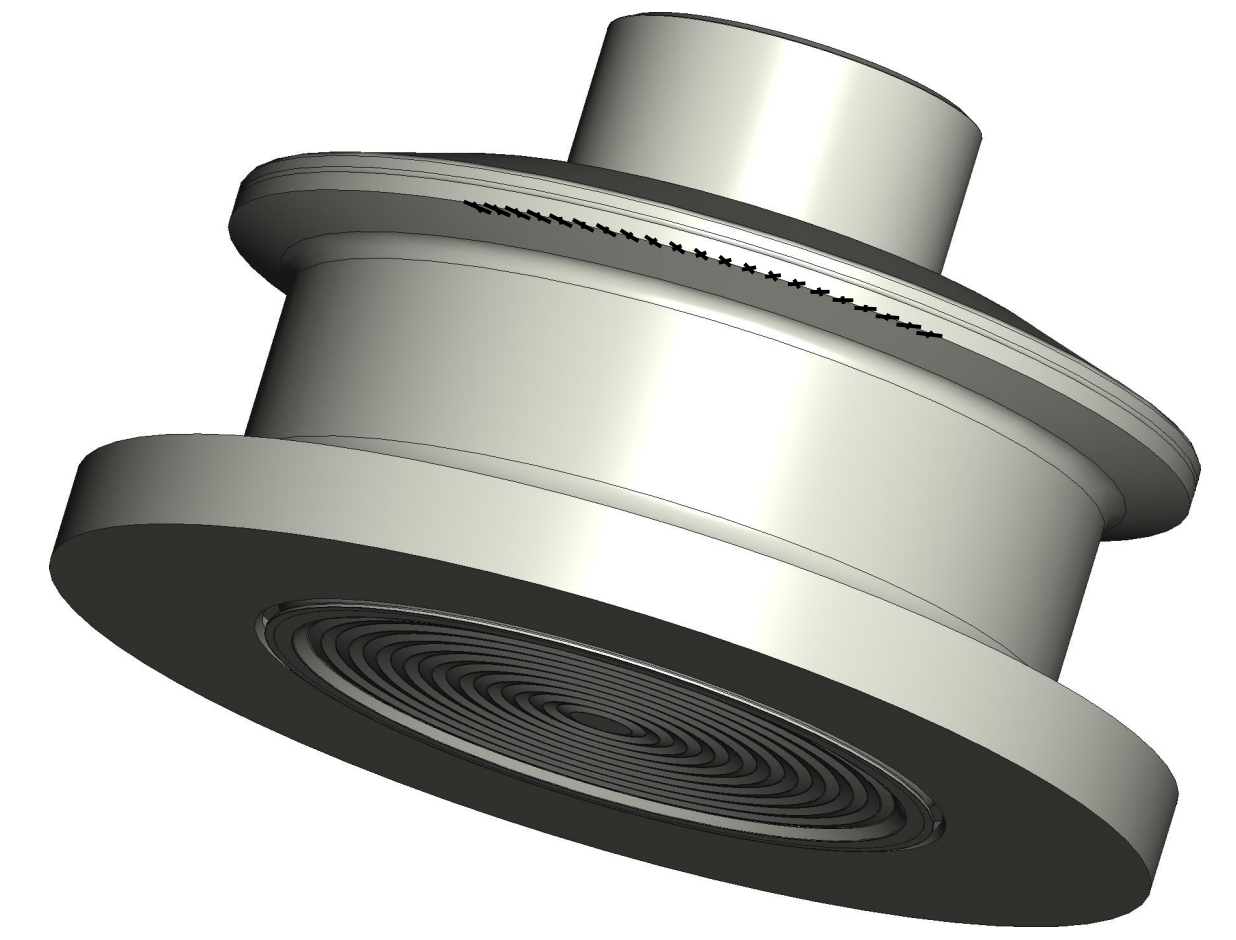
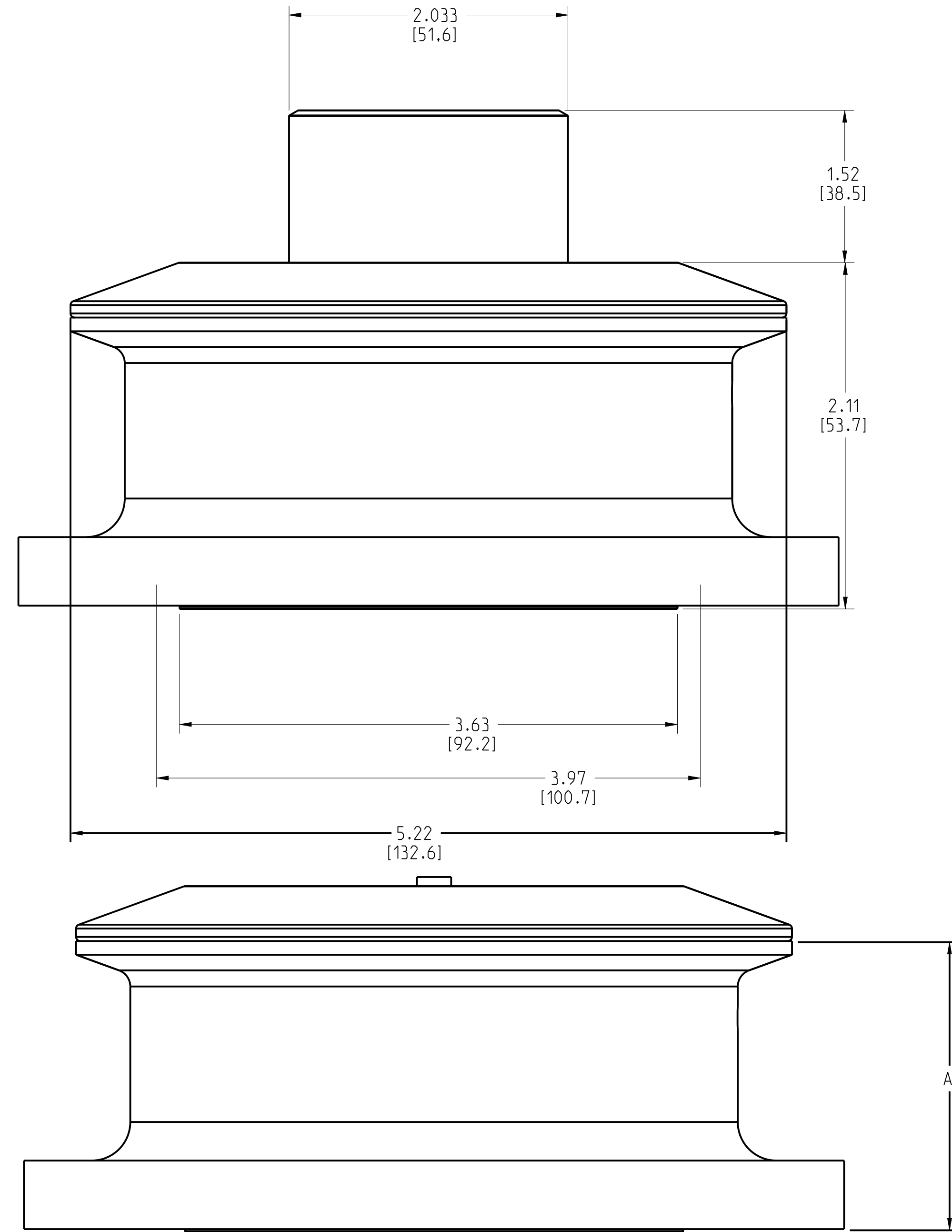
DIMENSIONS IN INCHES (MILLIMETERS)

<small>UNLESS OTHERWISE SPECIFIED DIMENSIONS IN INCHES (mm).</small> <small>CONFIDENTIAL AND PROPRIETARY INFORMATION. NOT TO BE REPRODUCED, COPIED, OR DISCLOSED WITHOUT THE WRITTEN PERMISSION OF EMERSON.</small> <small>INFORMATION WITHIN THIS DOCUMENT IS UNCLASSIFIED AND UNCONTROLLED UNLESS INDICATED OTHERWISE. FOR ENGINEERING USE - REFERENCE ROSEMOUNT PRODUCT DATA SHEETS FOR ENGINEERING INFORMATION.</small>	<small>3RD ANGLE</small> 	<small>SIZE</small> D	<small>SCALE</small> 2/1	<small>REV</small> AG	
	TITLE ROSEMOUNT 3051SAL LIQUID LEVEL PRESSURE TRANSMITTER				
	<small>DR.</small> J. ARMSTRONG	<small>2/21/15</small>	<small>DRAWING NO.</small>	03151-7000	
<small>APP'D</small> P. FADELL	<small>3/10/15</small>			CAD MAINTAINED: (PRO/EI)	
		<small>DOC TYPE</small> D	<small>SHEET 22 OF 24</small>		

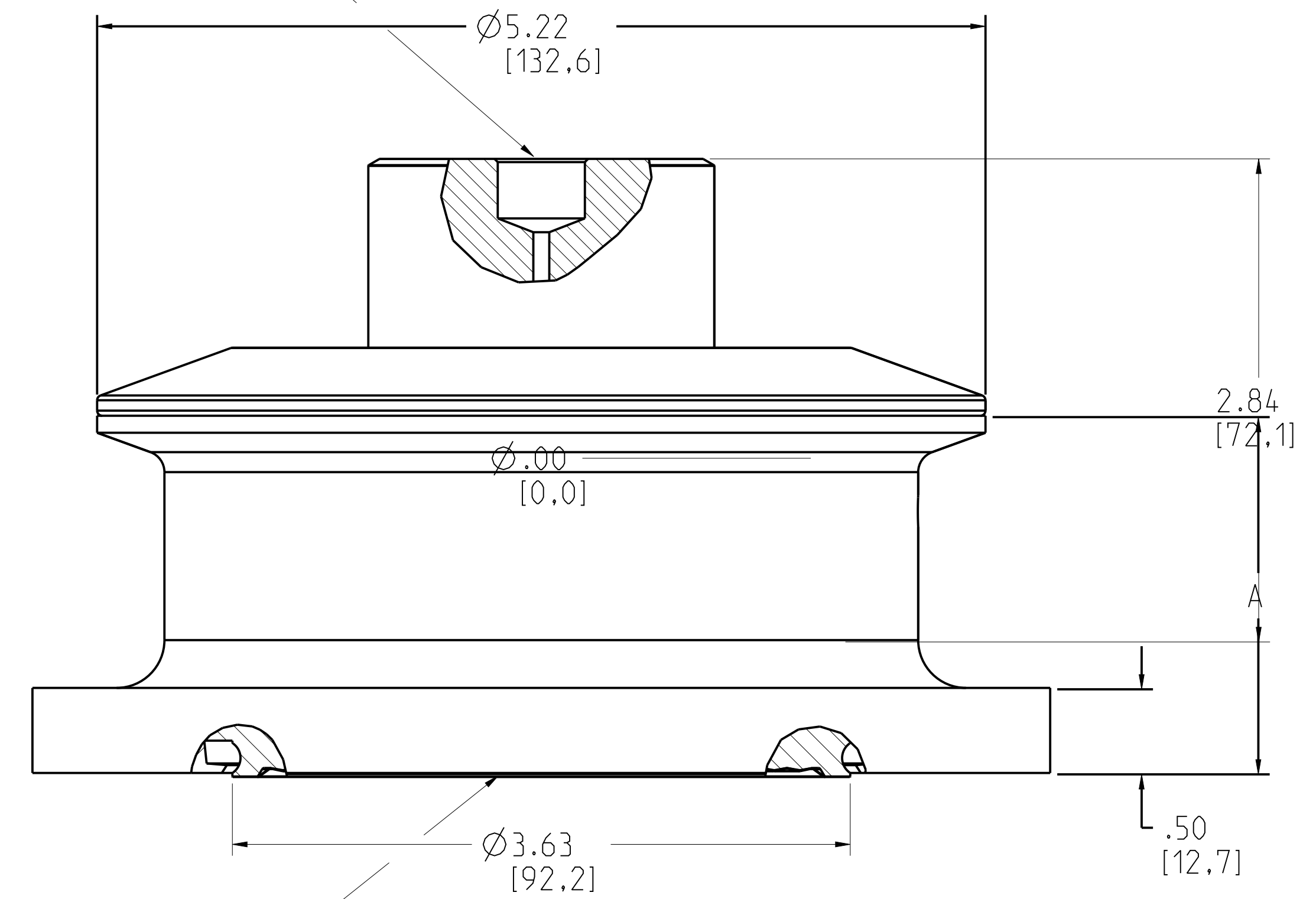
DRAWING NO. 03151-7000

TANK SPUD SEAL (SS)

PIPE SIZE	EXTENSION LENGTH	"A"
4 INCH SCH. 5	2" LONG	2.10 (53)
	6" LONG	6.10 (155)



CONNECTION TO TRANSMITTER



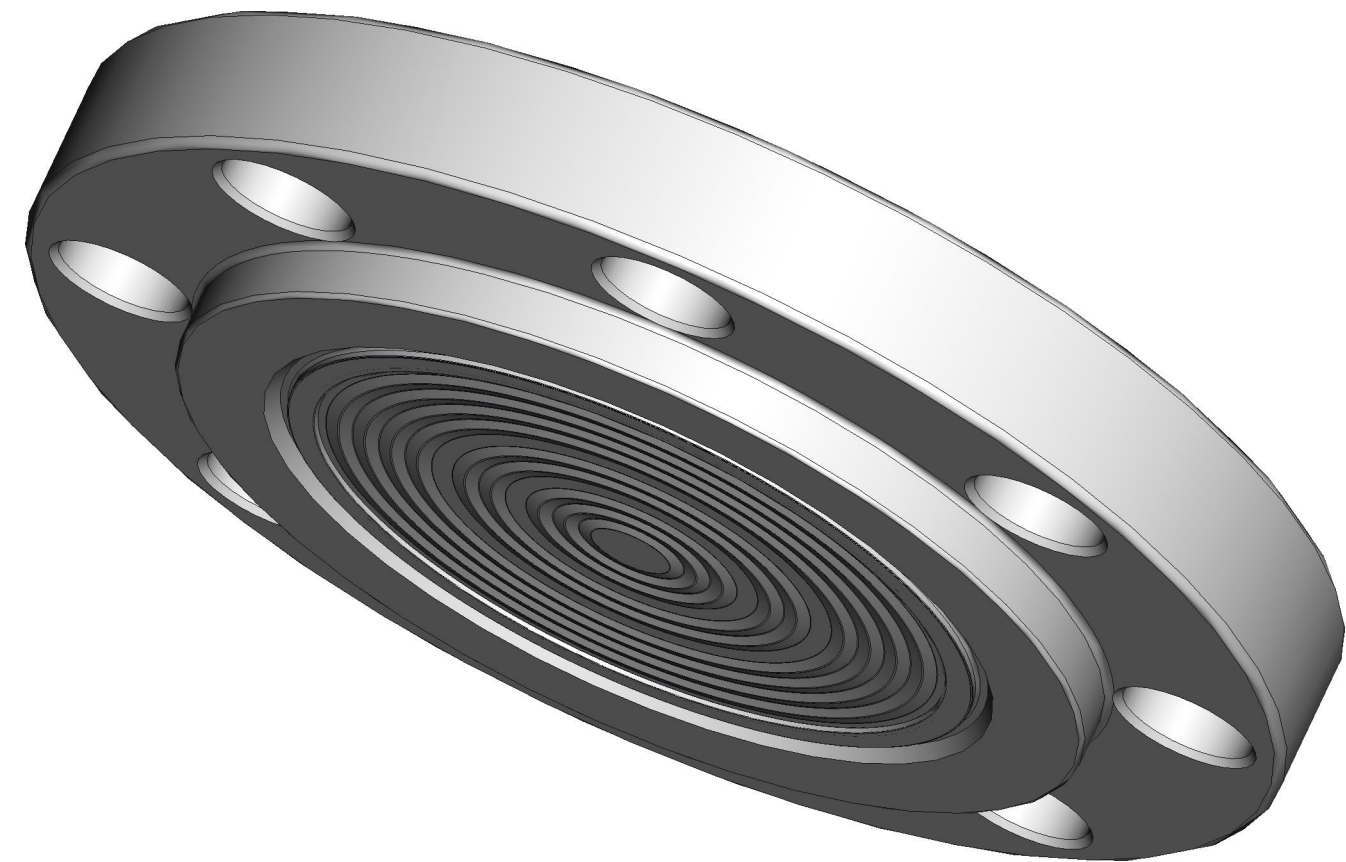
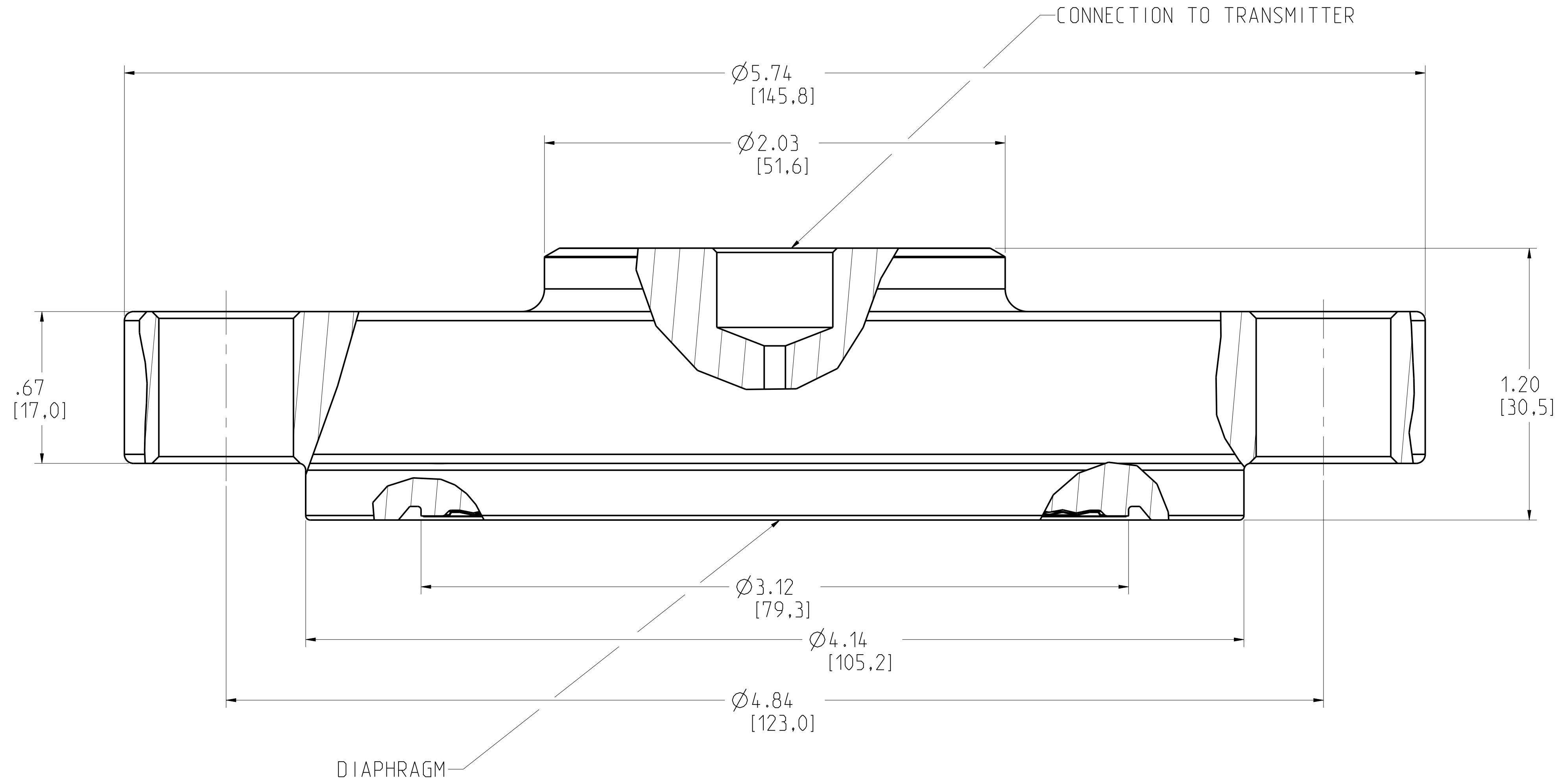
DIAPHRAGM

DIMENSIONS IN INCHES (MILLIMETERS)

<small>UNLESS OTHERWISE SPECIFIED DIMENSIONS IN INCHES (mm).</small> <small>CONFIDENTIAL AND PROPRIETARY INFORMATION. REPRODUCTION AND USE ARE PROHIBITED WITHOUT EMERSON'S WRITTEN PERMISSION.</small>	<small>3RD ANGLE</small> 	<small>SIZE</small> D	<small>SCALE</small> 1/1	<small>REV</small> AG
	TITLE ROSEMOUNT 3051SAL LIQUID LEVEL PRESSURE TRANSMITTER			
	DR. J. ARMSTRONG 2/21/15 APP'D P. FADELL 3/10/15	DRAWING NO. 03151-7000		
<small>CAD MAINTAINED. (PRO/E)</small>		<small>DOC TYPE</small> D	<small>SHEET 23 OF 24</small>	

DRAWING NO. 03151-7000

DOW UNIVERSAL SEAL (AF)



DIMENSIONS IN INCHES (MILLIMETERS)

<small>UNLESS OTHERWISE SPECIFIED DIMENSIONS IN INCHES (mm).</small> <small>CONFIDENTIAL AND PROPRIETARY INFORMATION. REPRODUCTION, DISSEMINATION, OR USE OF THIS DRAWING WITHOUT THE WRITTEN APPROVAL OF EMERSON ENGINEERING CORPORATION IS PROHIBITED.</small>	3RD ANGLE	SIZE D	SCALE 1/1	REV AG
	EMERSON ROSEMOUNT			
	TITLE ROSEMOUNT 3051SAL LIQUID LEVEL PRESSURE TRANSMITTER			
	DR. J. ARMSTRONG	2/21/15	DRAWING NO. 03151-7000	
APP'D P. FADELL	3/10/15	SHEET 24 OF 24		

DRAWING NO. 03151-7000