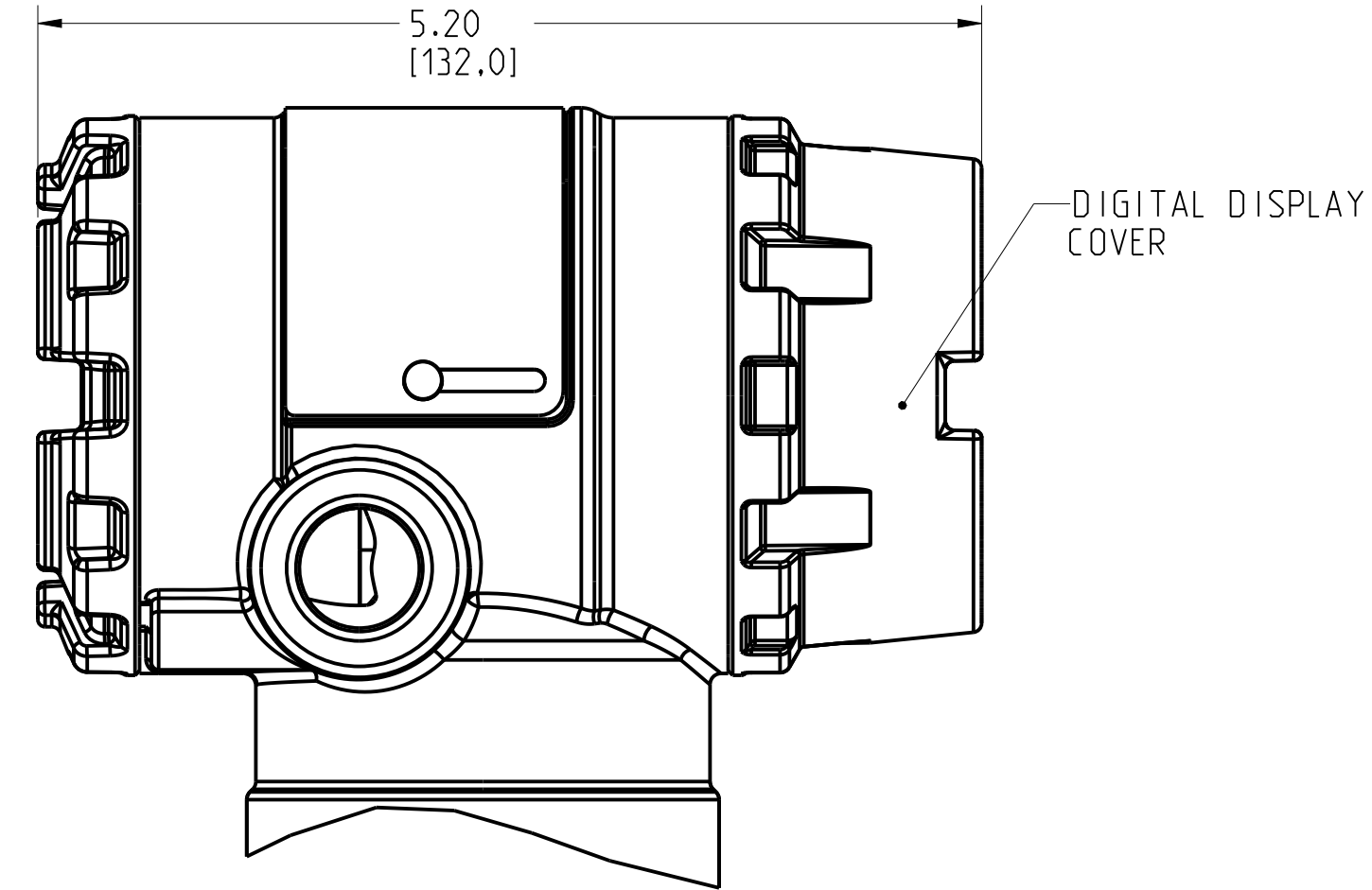


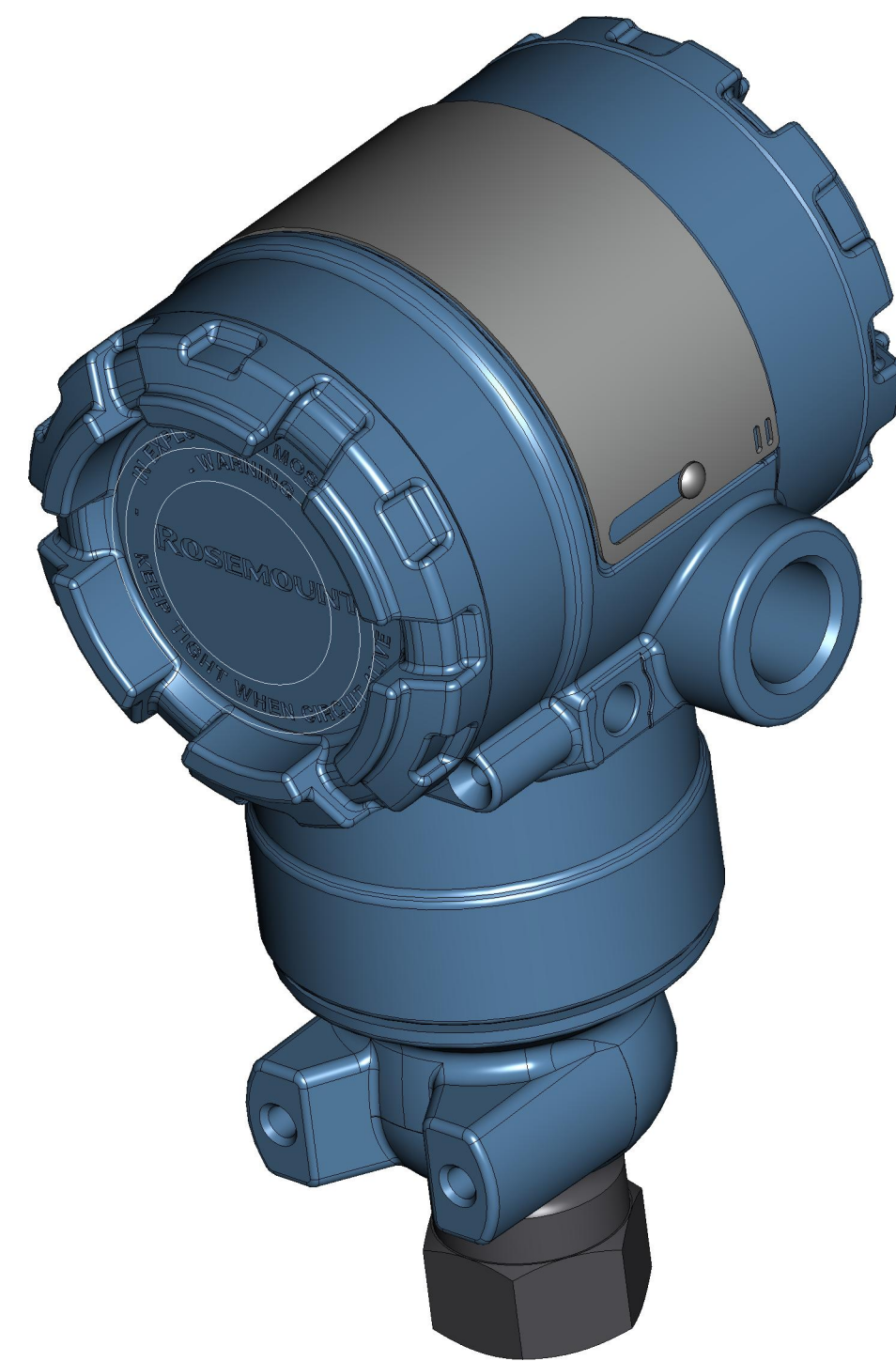
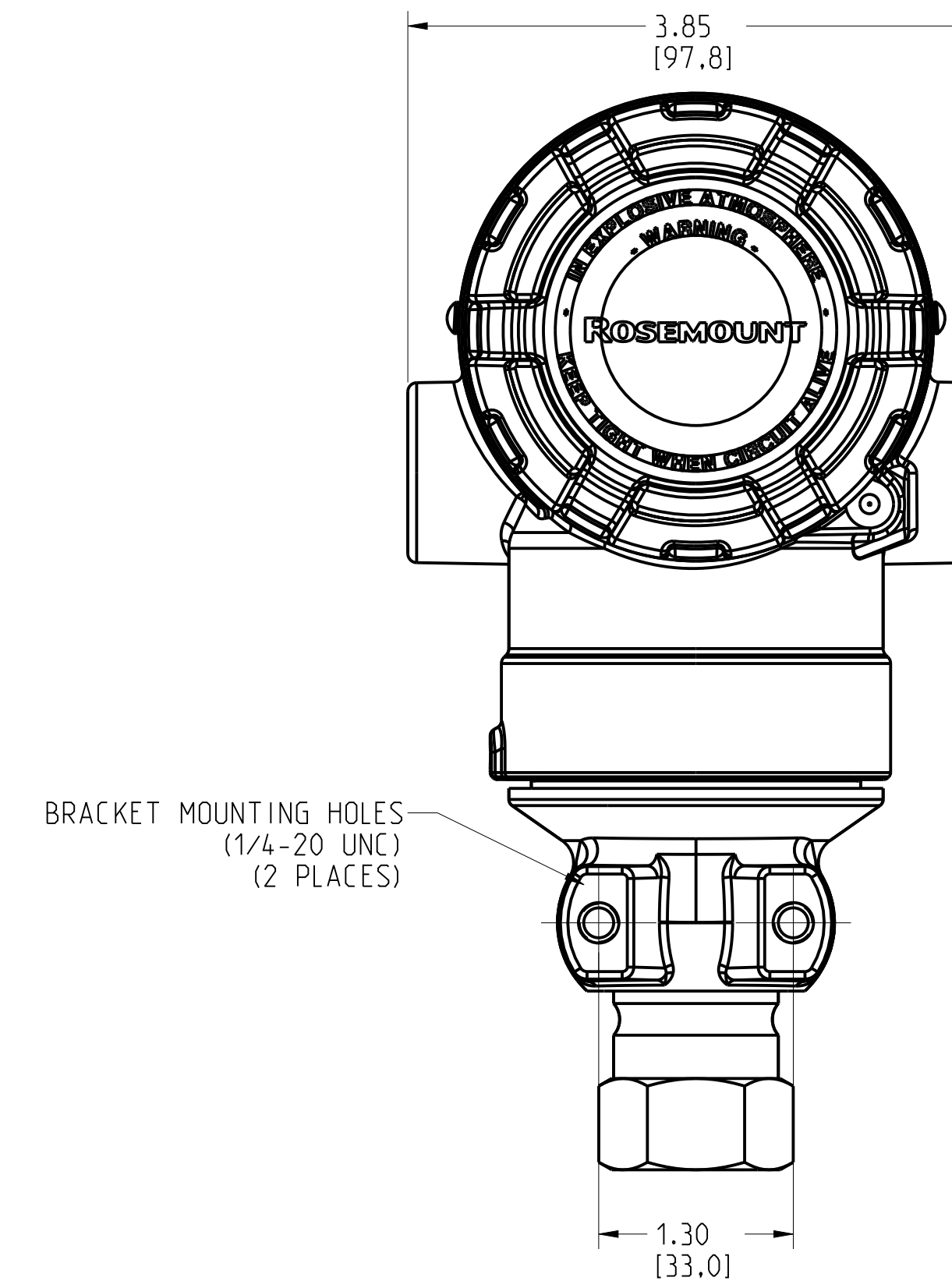
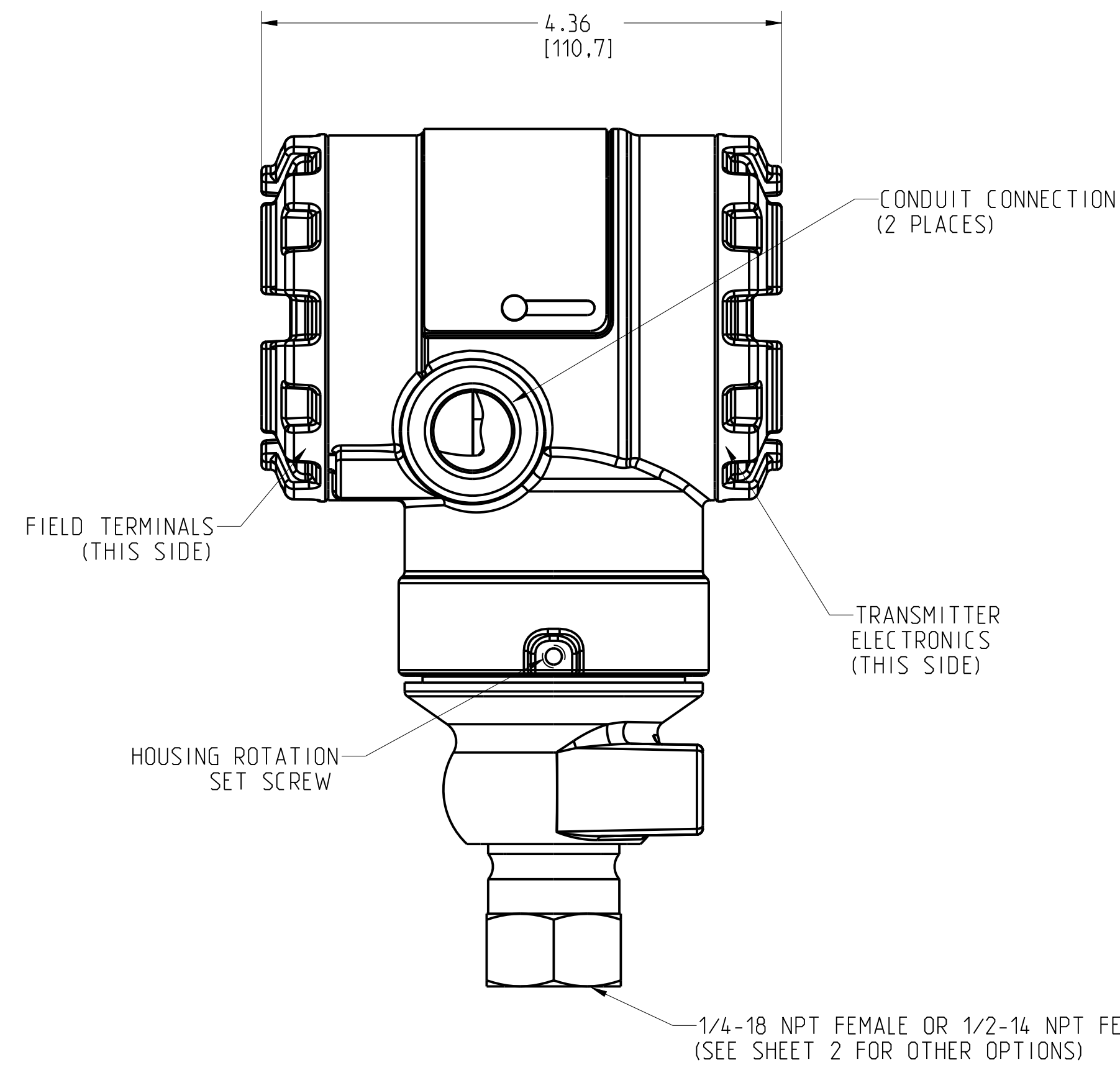
# ROSEMOUNT 2051T IN-LINE PRESSURE TRANSMITTER

REVISION TABLE			
REVISION	ECO NO.	APP'D	DATE
AF	RTC1076375	C.OBERLE	12/16/20
DESCRIPTION			
ADD WIRELESS HS OPTION SPACER			

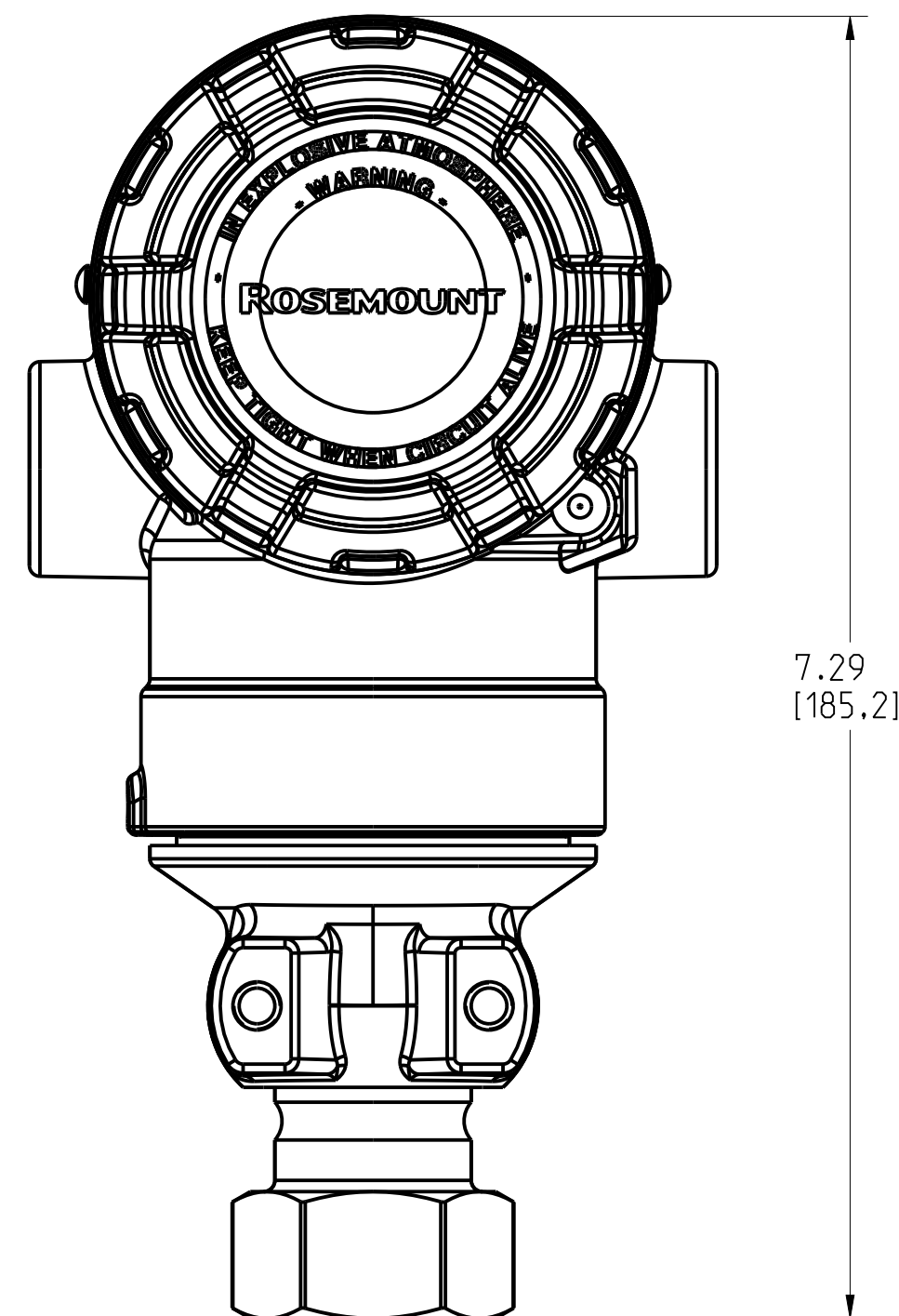
SHOWN WITH OPTIONAL DIGITAL DISPLAY



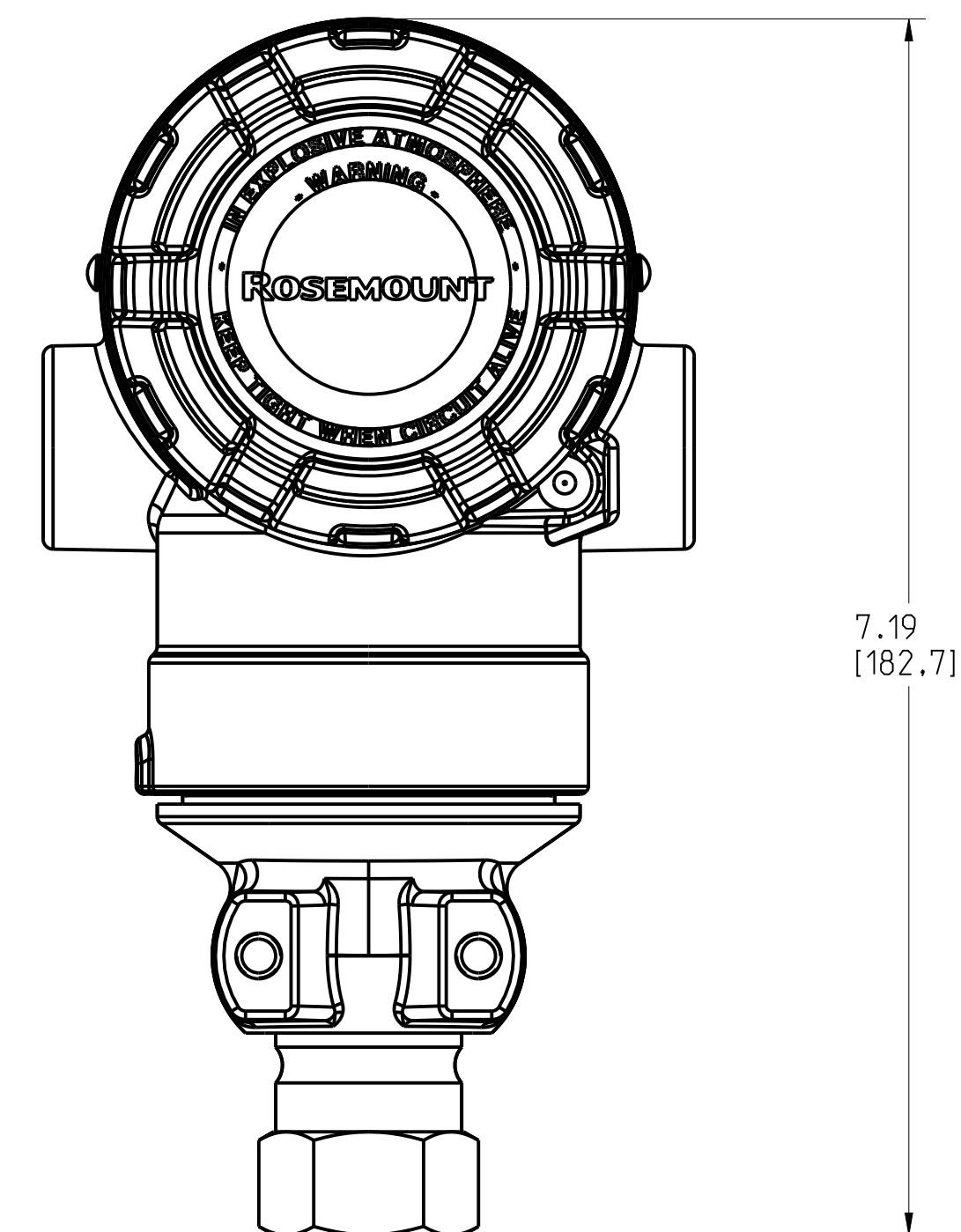
OUTPUT CODE (A) AND (M) AND (F) AND (W)  
ALUMINUM/SST HOUSING



PRESSURE RANGE OPTION 5A



PRESSURE RANGE OPTION 1A-4A



©2015 ROSEMOUNT, INC.  
ROSEMOUNT AND CERTAIN OF  
THESE DRAWINGS ARE IN  
ACCORDANCE WITH  
ROSEMOUNT ENGINEERING  
SPECIFICATIONS.  
UNIT NOTES IN INCHES (mm).

REFERENCE ROSEMOUNT  
PRODUCT SPECIFICATIONS.  
CLICK HERE

EMERSON

TITLE ROSEMOUNT 2051T IN-LINE  
TYPE I DRAWING

DR. JLA 12/23/16 DRAWING NO. 02051-7711

APP'D A. WAGENER 12/23/16

CAD MAINTAINED (PRO/EI) SHEET 1 OF 6

3RD ANGLE

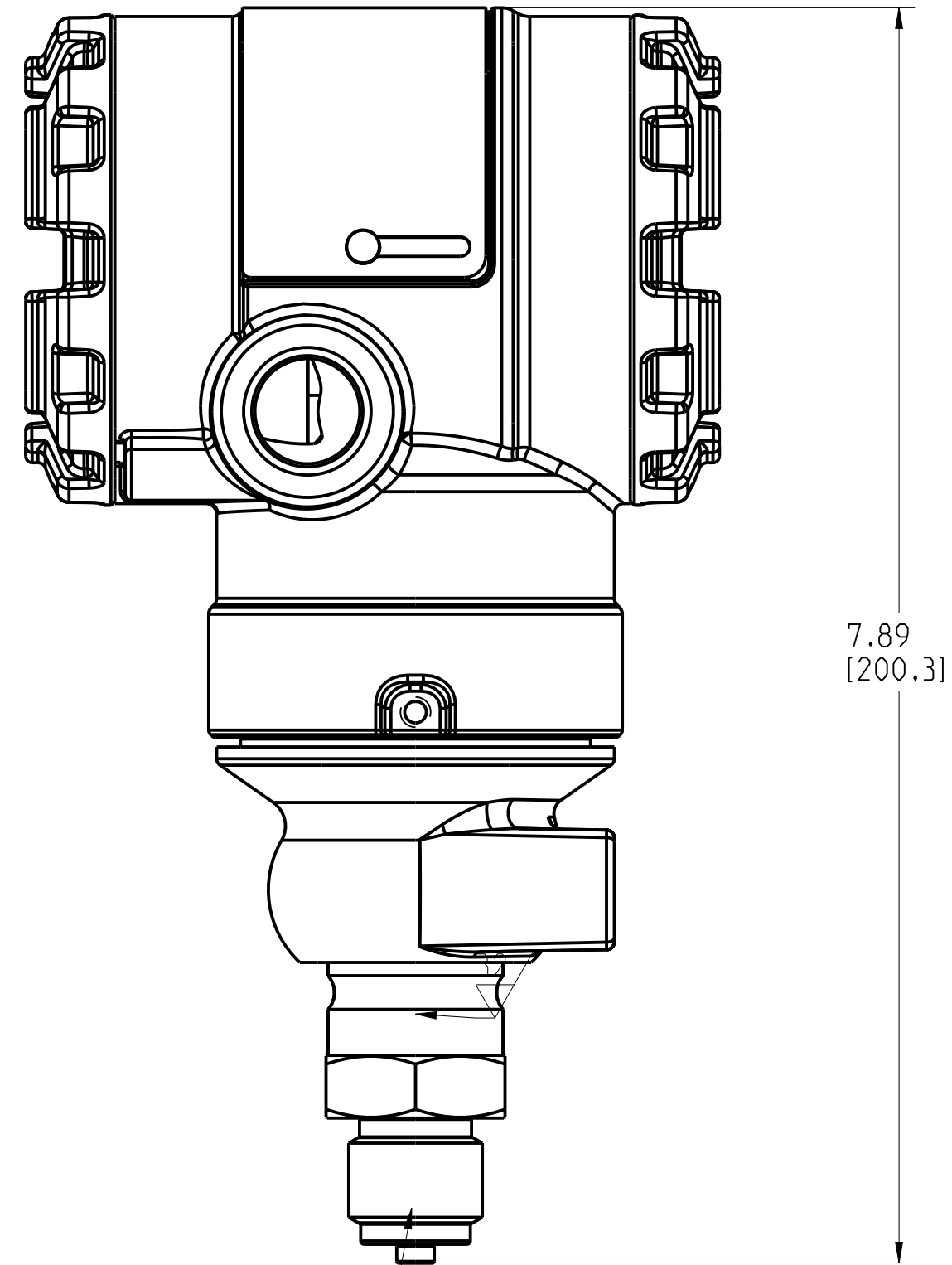
SIZE D SCALE NTS

ROSEMOUNT 2051T IN-LINE PRESSURE TRANSMITTER



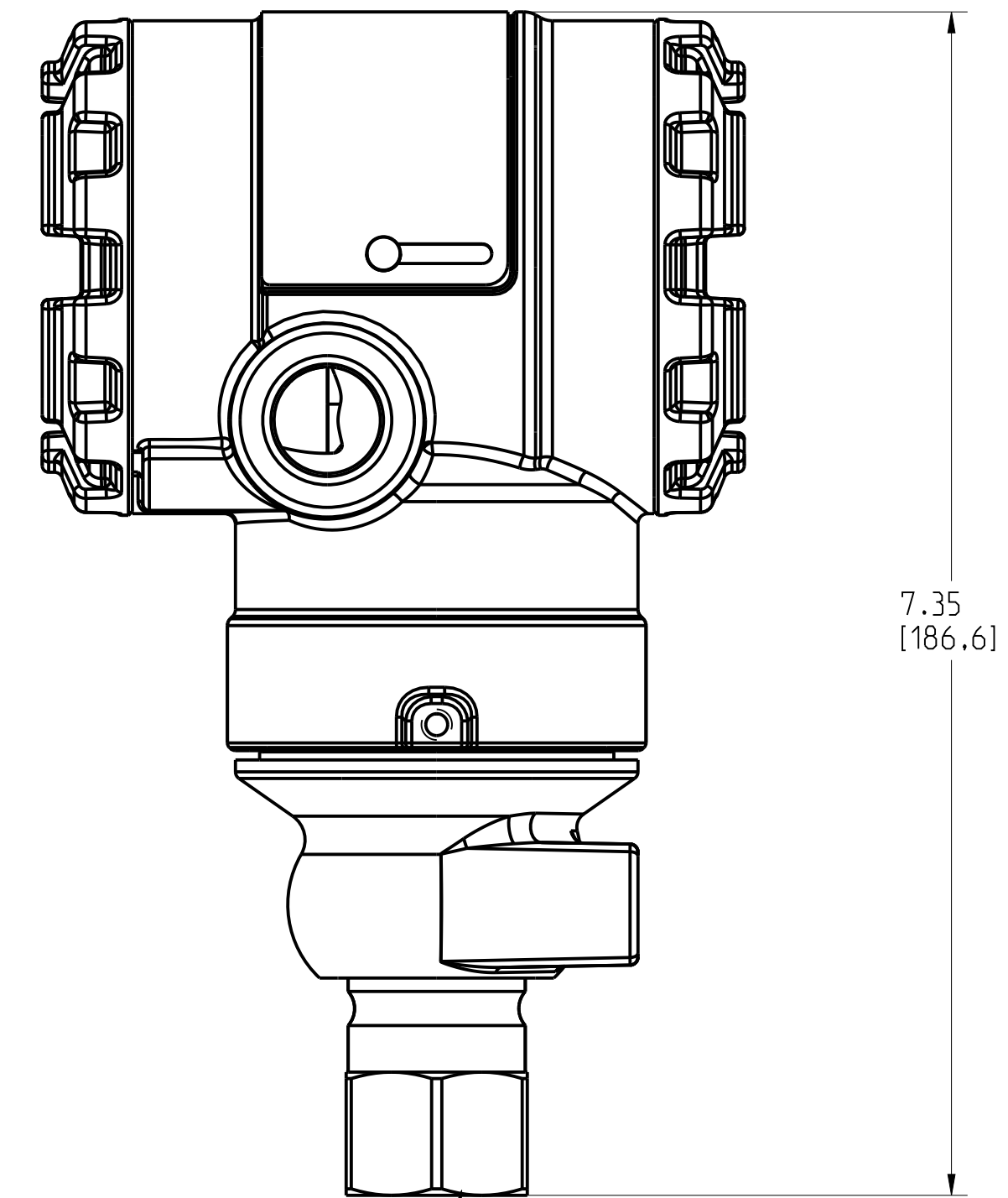
MALE PROCESS CONNECTION

G 1/2 A DIN 16288 MALE  
PROCESS CONNECTION



G 1/2 A DIN 16288 MALE

AUTOCLAVE TYPE F-250-C  
PROCESS CONNECTION



AUTOCLAVE TYPE F-250-C

©2015 ROSEMOUNT, INC. ALL RIGHTS RESERVED. THIS DRAWING IS THE PROPERTY OF ROSEMOUNT ENGINEERING. IT IS TO BE USED ONLY FOR THE PROJECT AND SPECIFICATIONS FOR WHICH IT WAS PREPARED. UNLESS OTHERWISE SPECIFIED, DIMENSIONS ARE IN INCHES (MILLIMETERS).

REFERENCE ROSEMOUNT PRODUCT SPECIFICATIONS FOR PRODUCT SPECIFICATIONS. CLICK HERE

DR.	JLA	12/23/16	DRAWING NO.	
APP'D	A. WAGENER	12/23/16		02051-7711
CAD MAINTAINED: (PRO/E)				SHEET 2 OF 6

3RD ANGLE

EMERSON

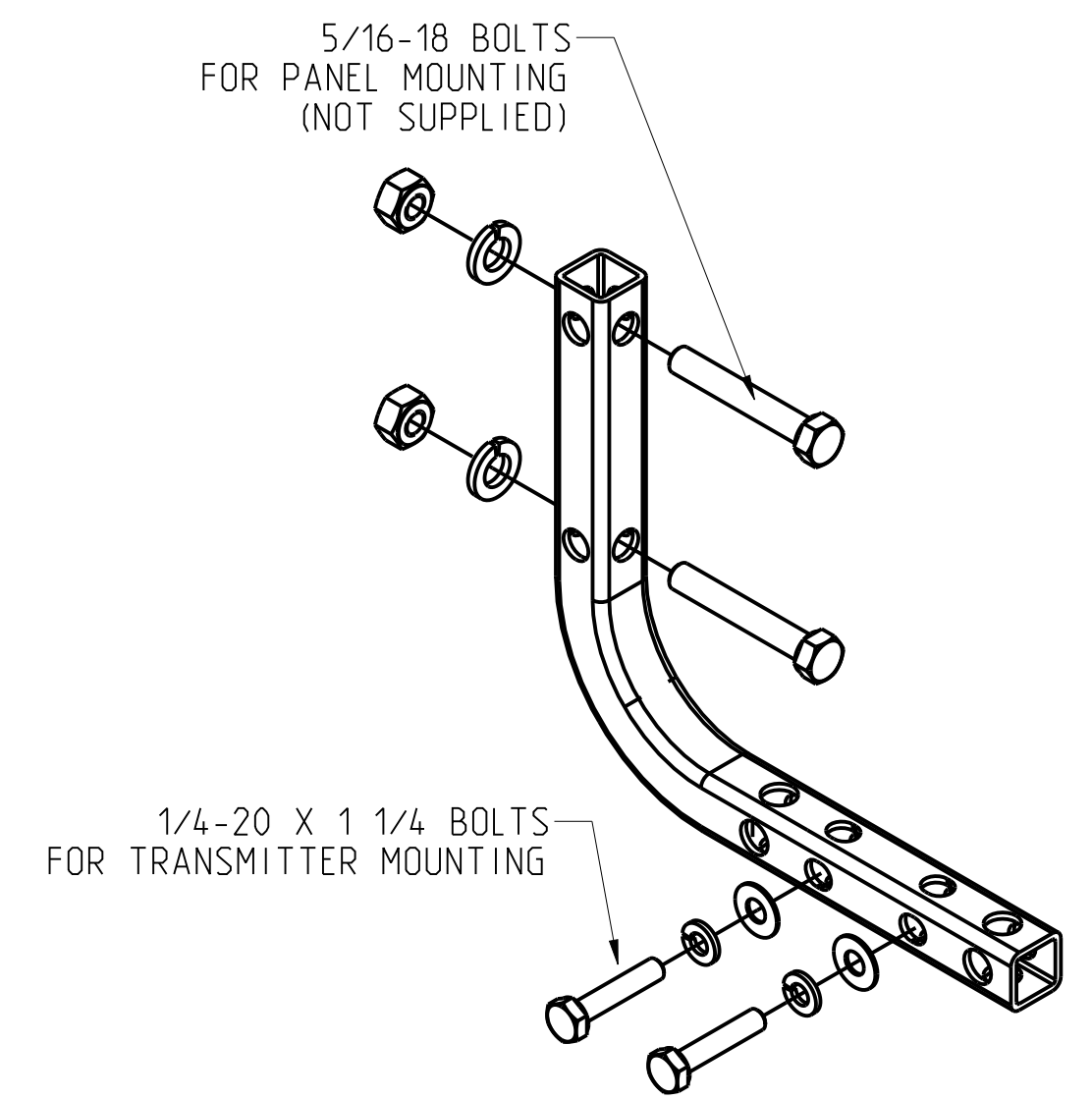
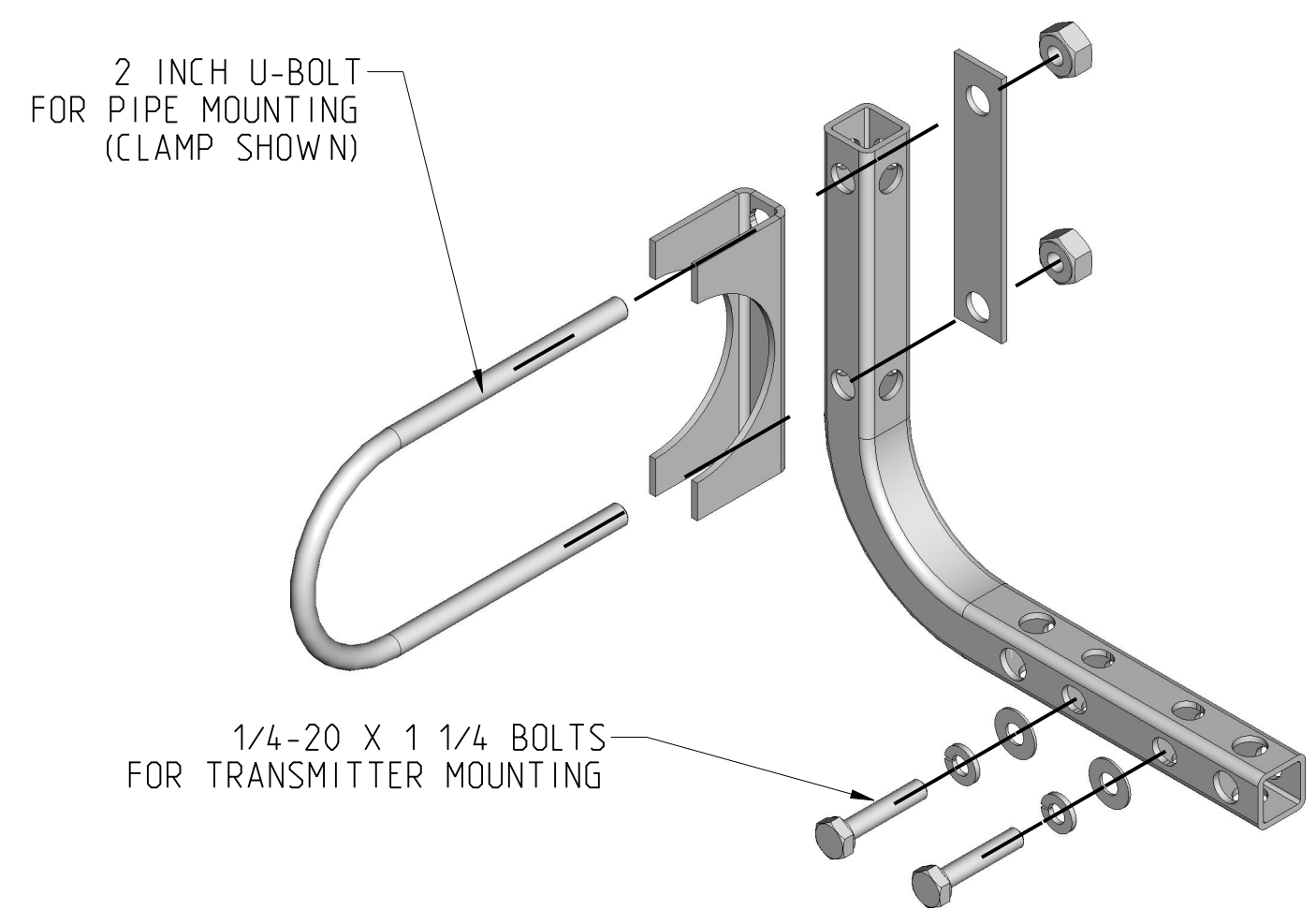
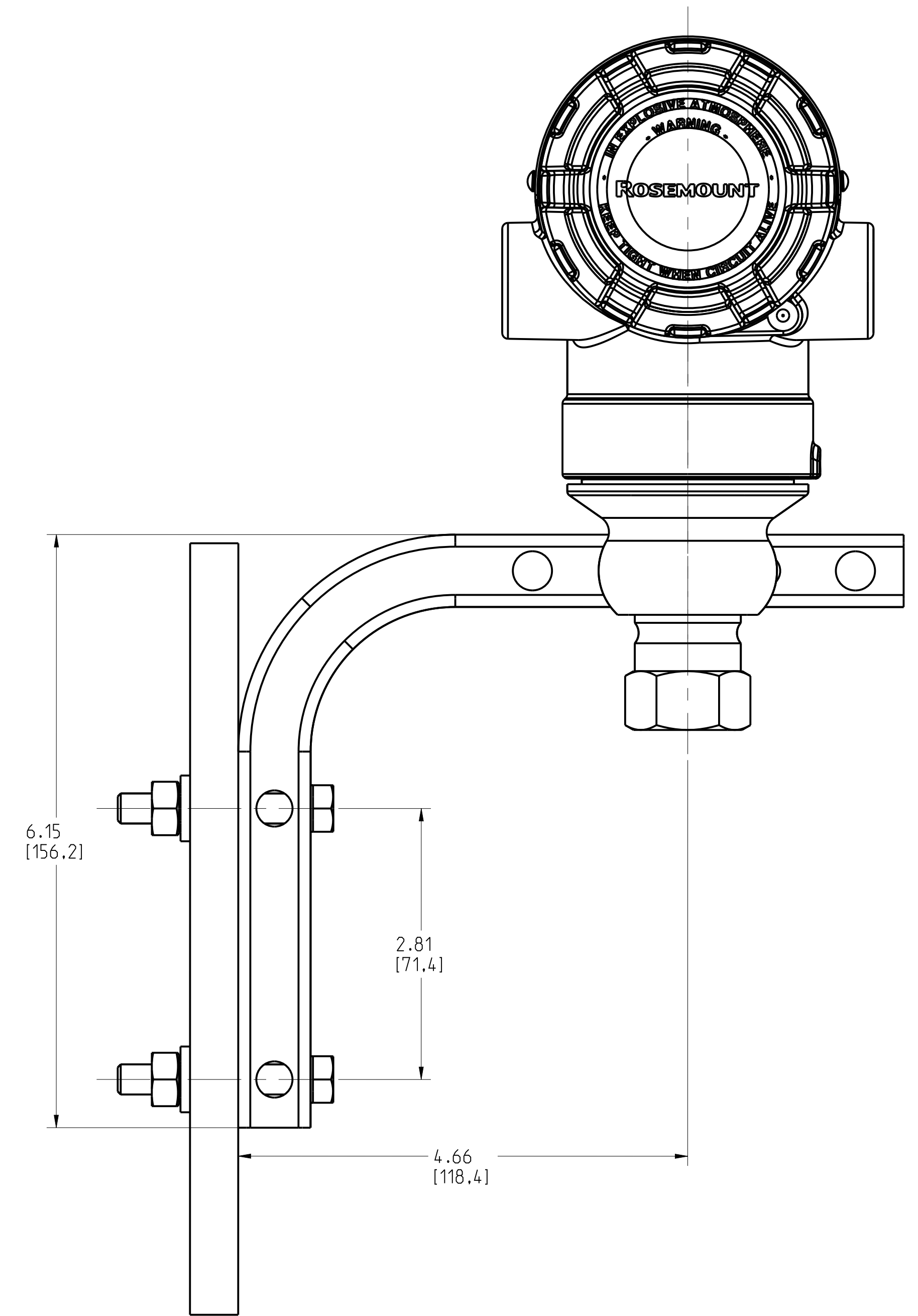
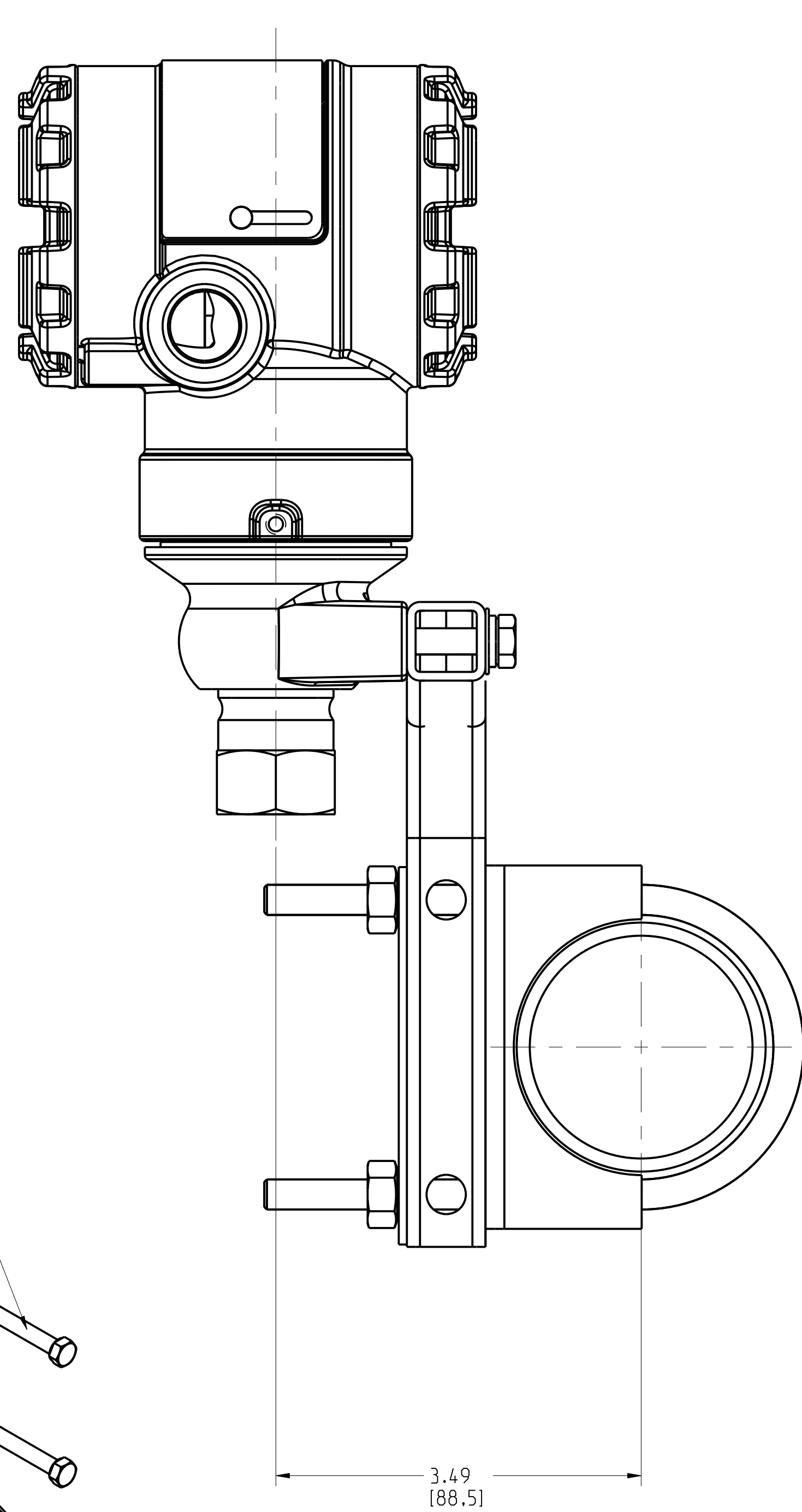
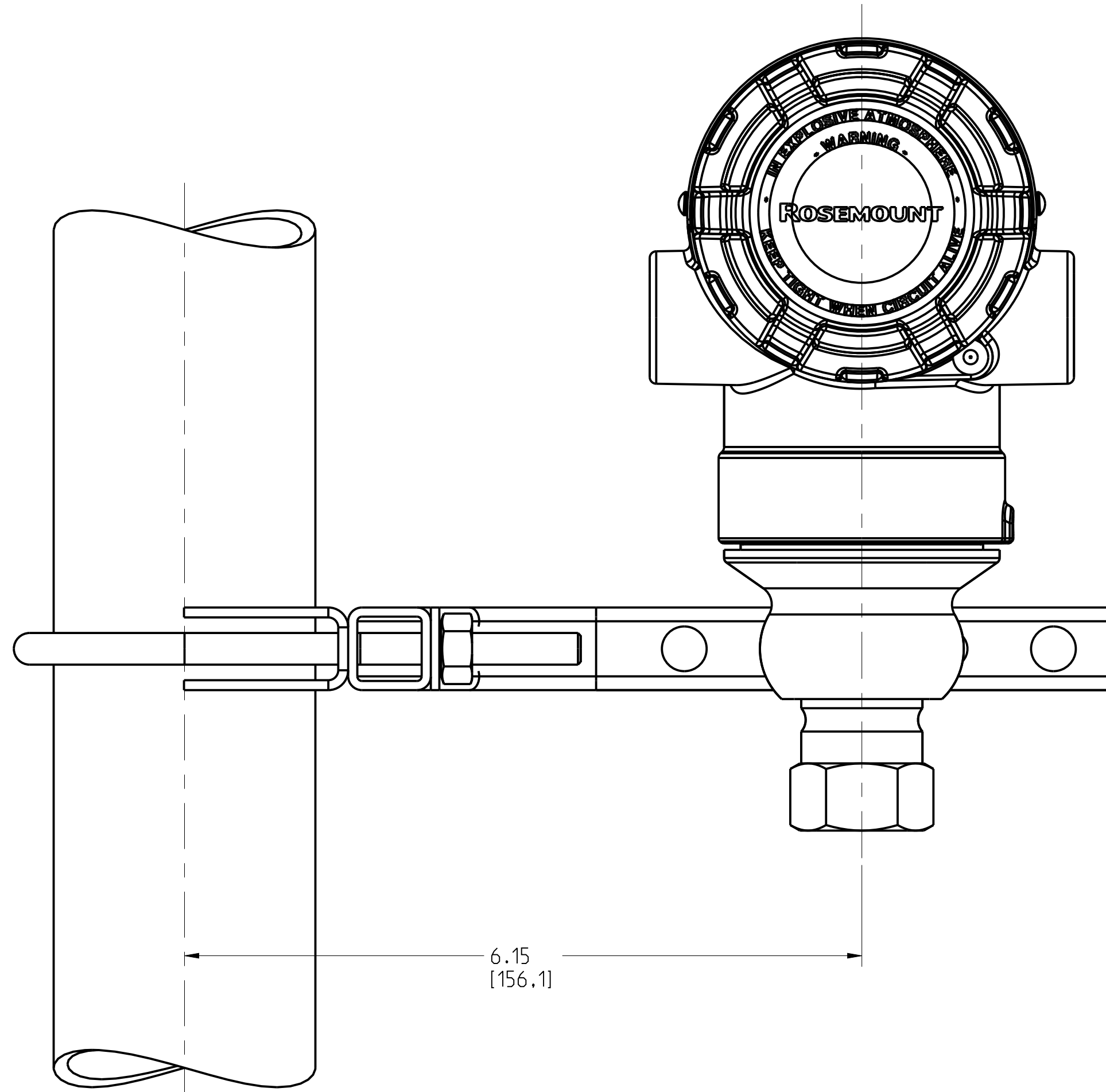
TITLE ROSEMOUNT 2051T IN-LINE  
TYPE I DRAWING

SIZE D SCALE NTS

ROSEMOUNT 2051T IN-LINE PRESSURE TRANSMITTER  
MOUNTING CONFIGURATIONS WITH OPTIONAL MOUNTING BRACKET

PIPE MOUNTING

PANEL MOUNTING



SCALE 1/2

©2015 ROSEMOUNT, INC. ROSEMOUNT AND CLEARVIEW ARE TRADEMARKS OF ROSEMOUNT ENGINEERING SPECIFICATIONS. UNIT NOTES IN INCHES (mm).

REFERENCE ROSEMOUNT PRODUCT SPECIFICATIONS. CLICK HERE

EMERSON

TITLE ROSEMOUNT 2051T IN-LINE TYPE I DRAWING

DR. JLA 12/23/16 DRAWING NO. 02051-7711

APP'D A WAGENER 12/23/16

CAD MAINTAINED (PRO/E) SHEET 3 OF 6

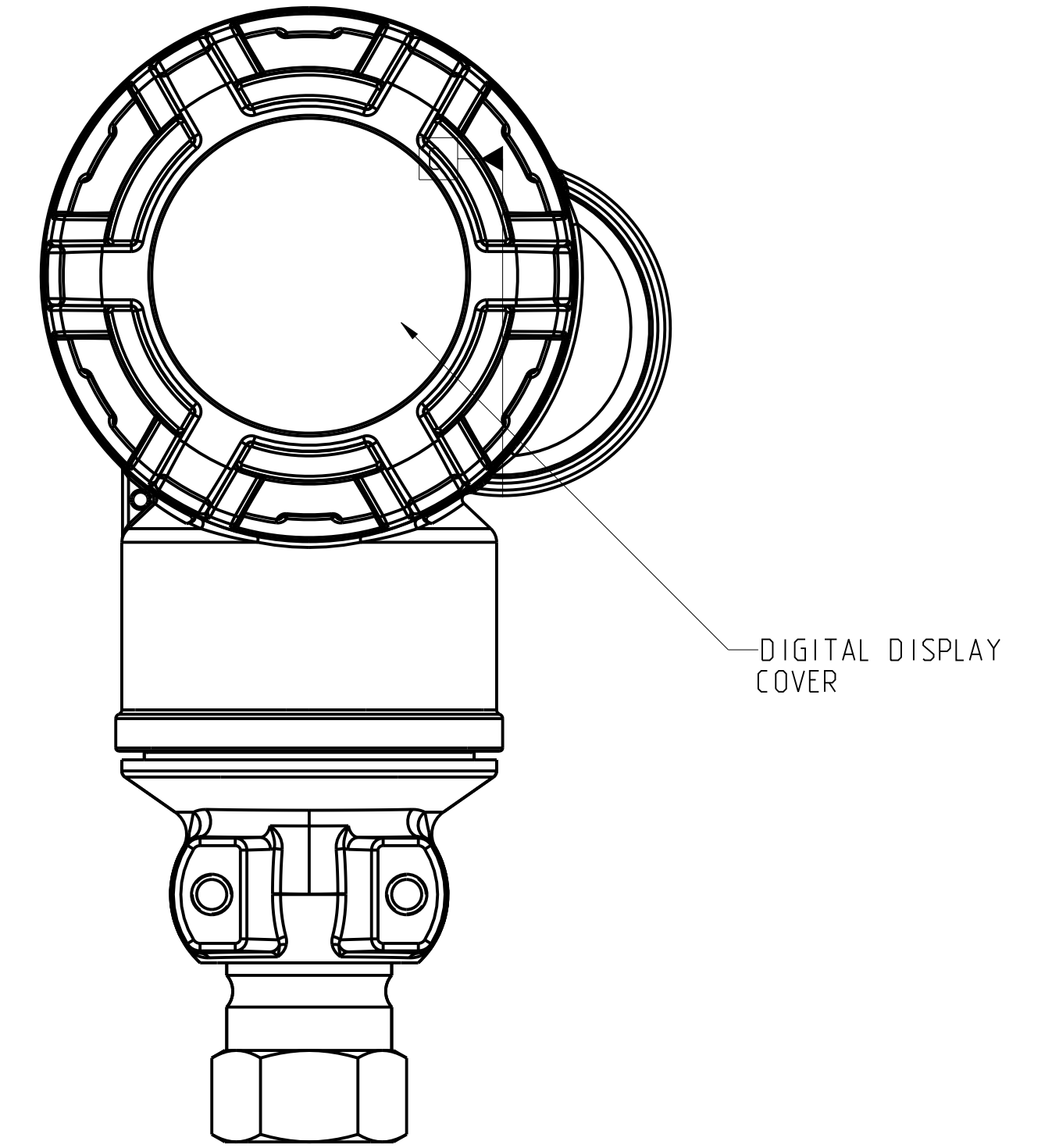
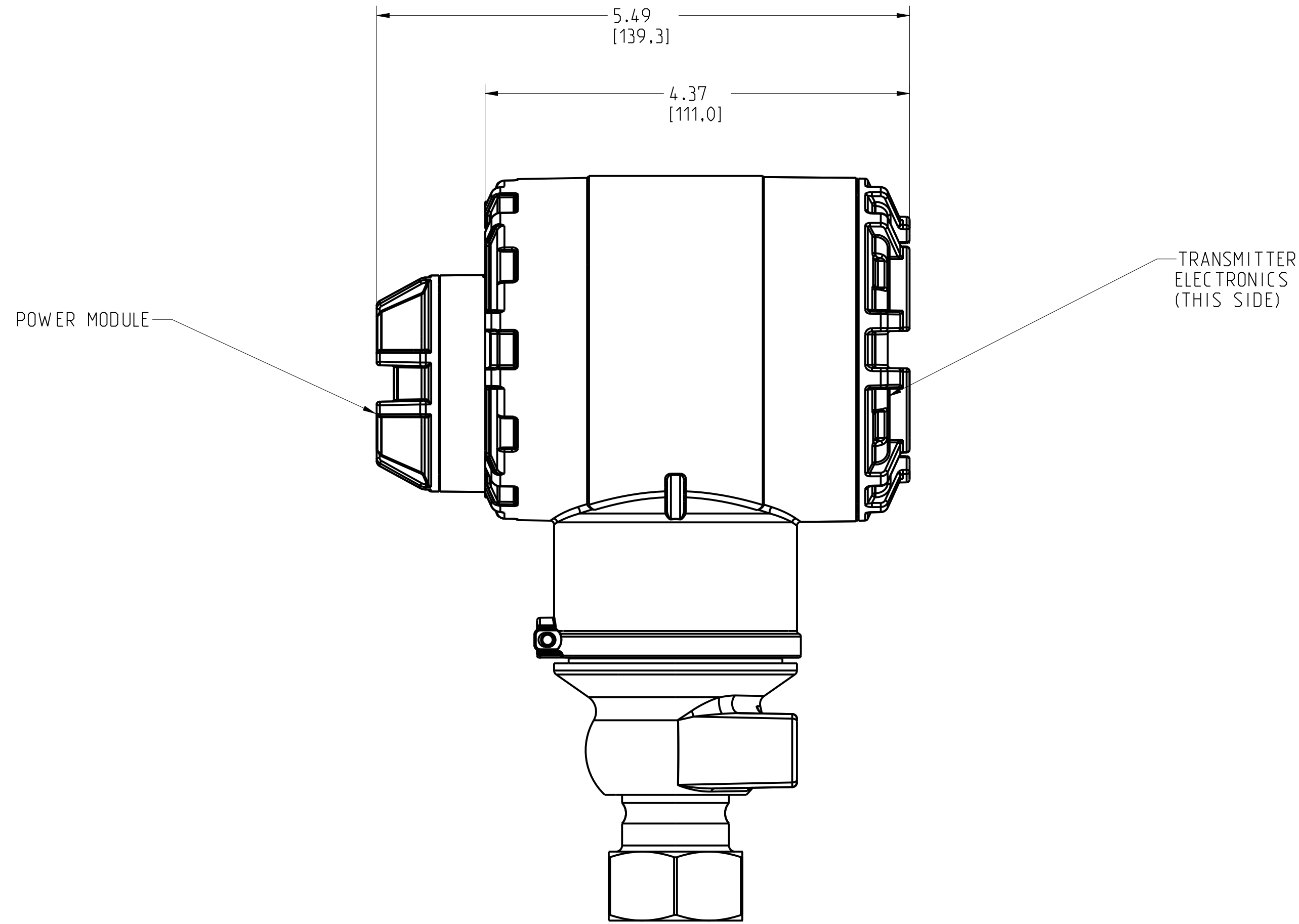
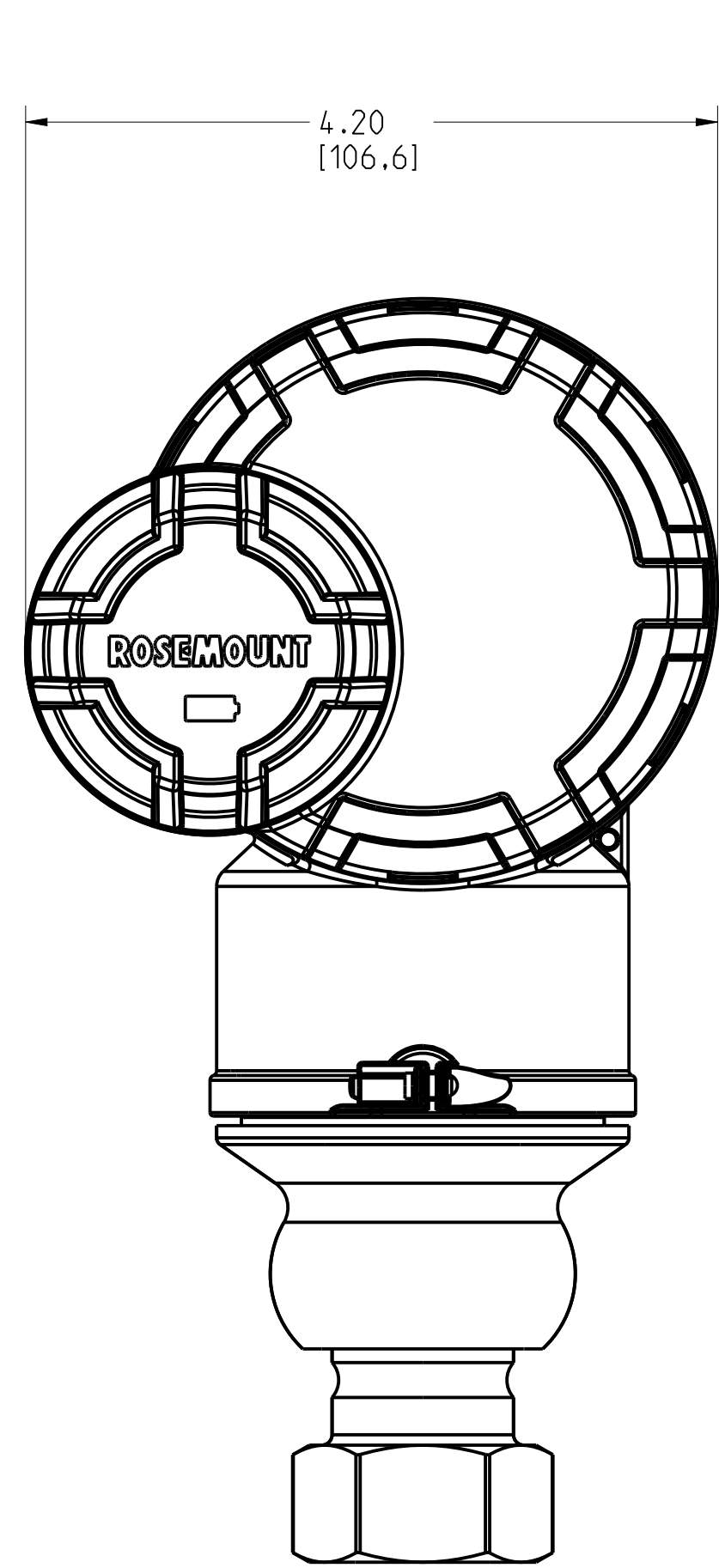
3RD ANGLE

SIZE D

SCALE NTS

# ROSEMOUNT 2051T WIRELESS IN-LINE PRESSURE TRANSMITTER

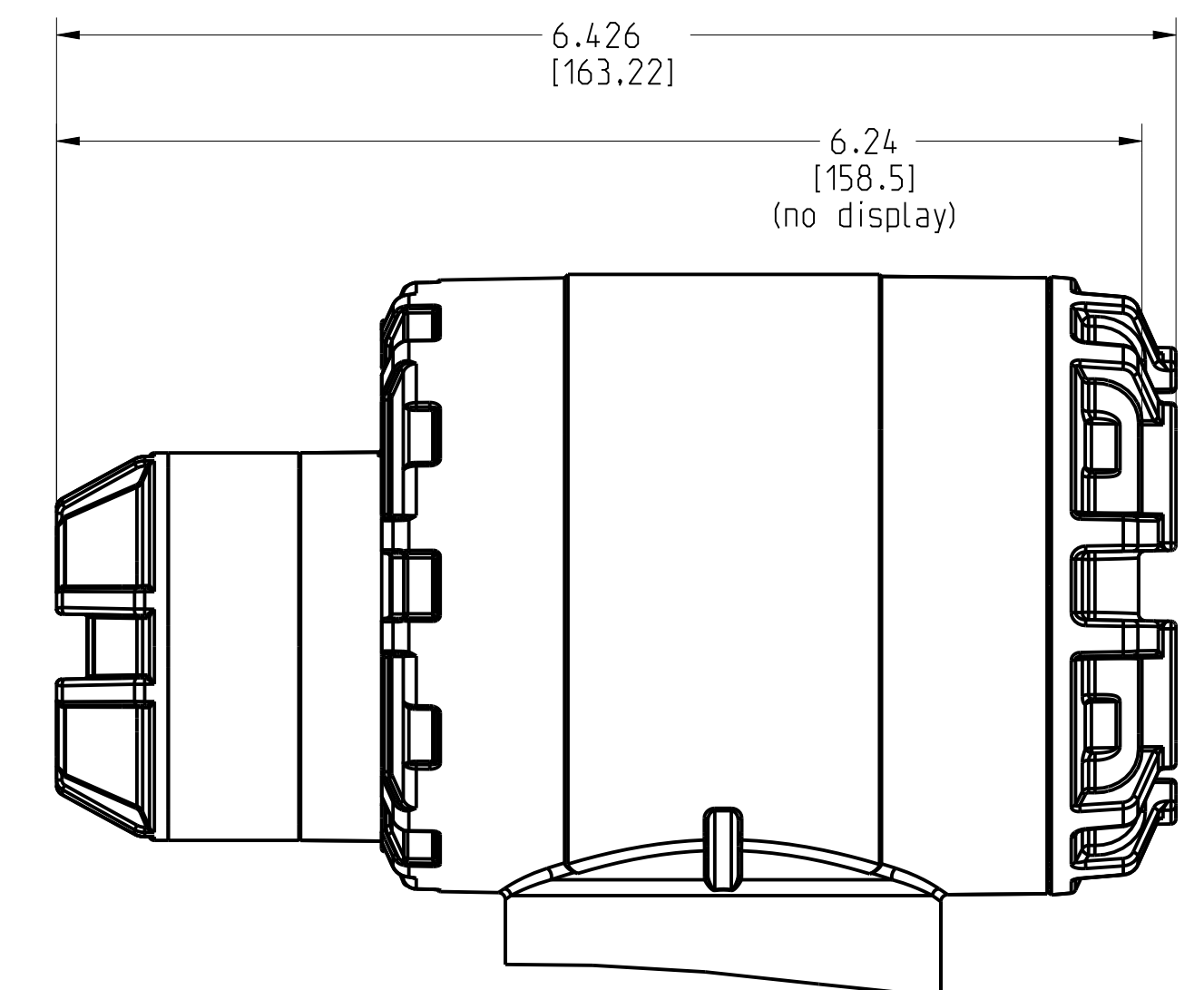
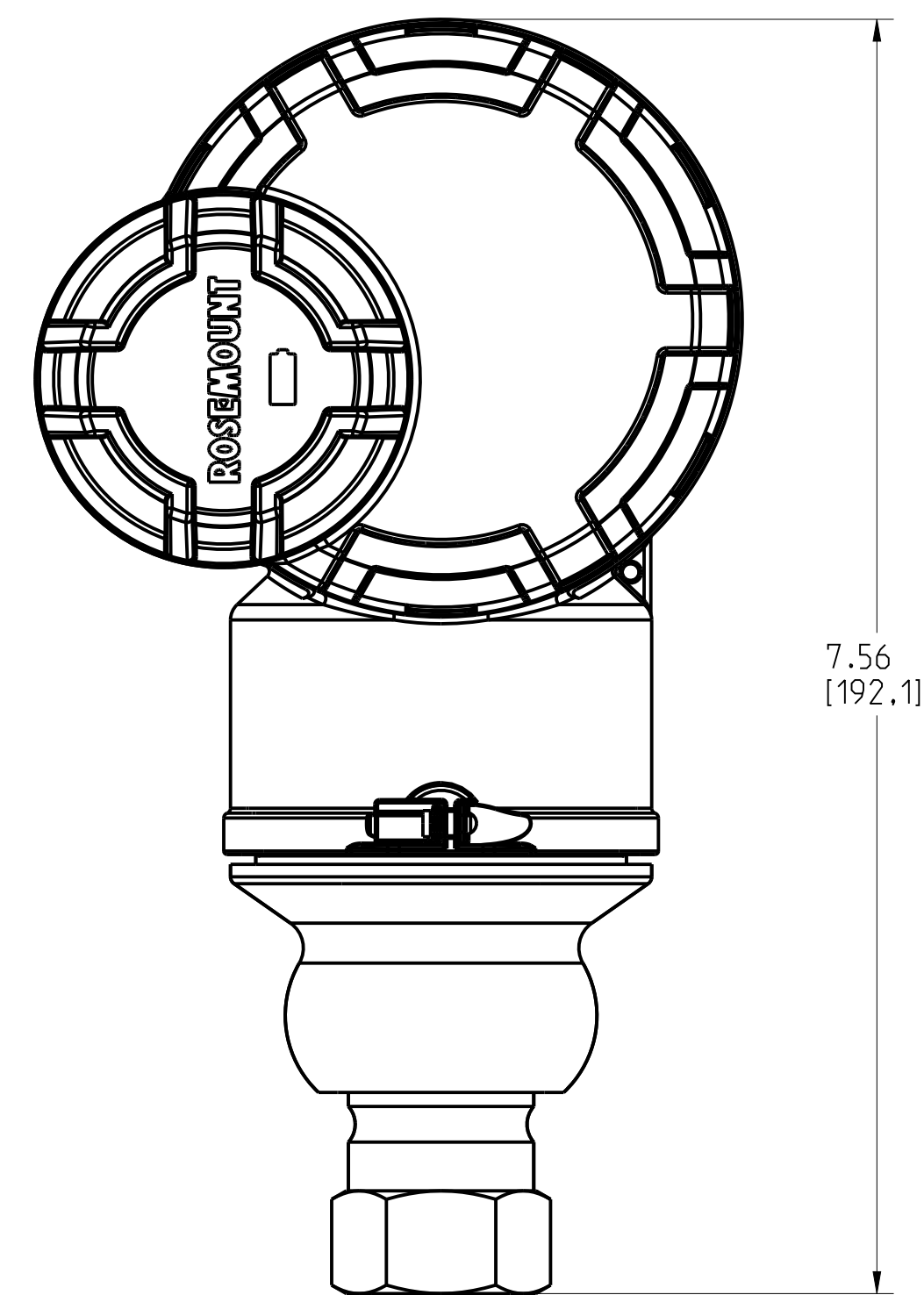
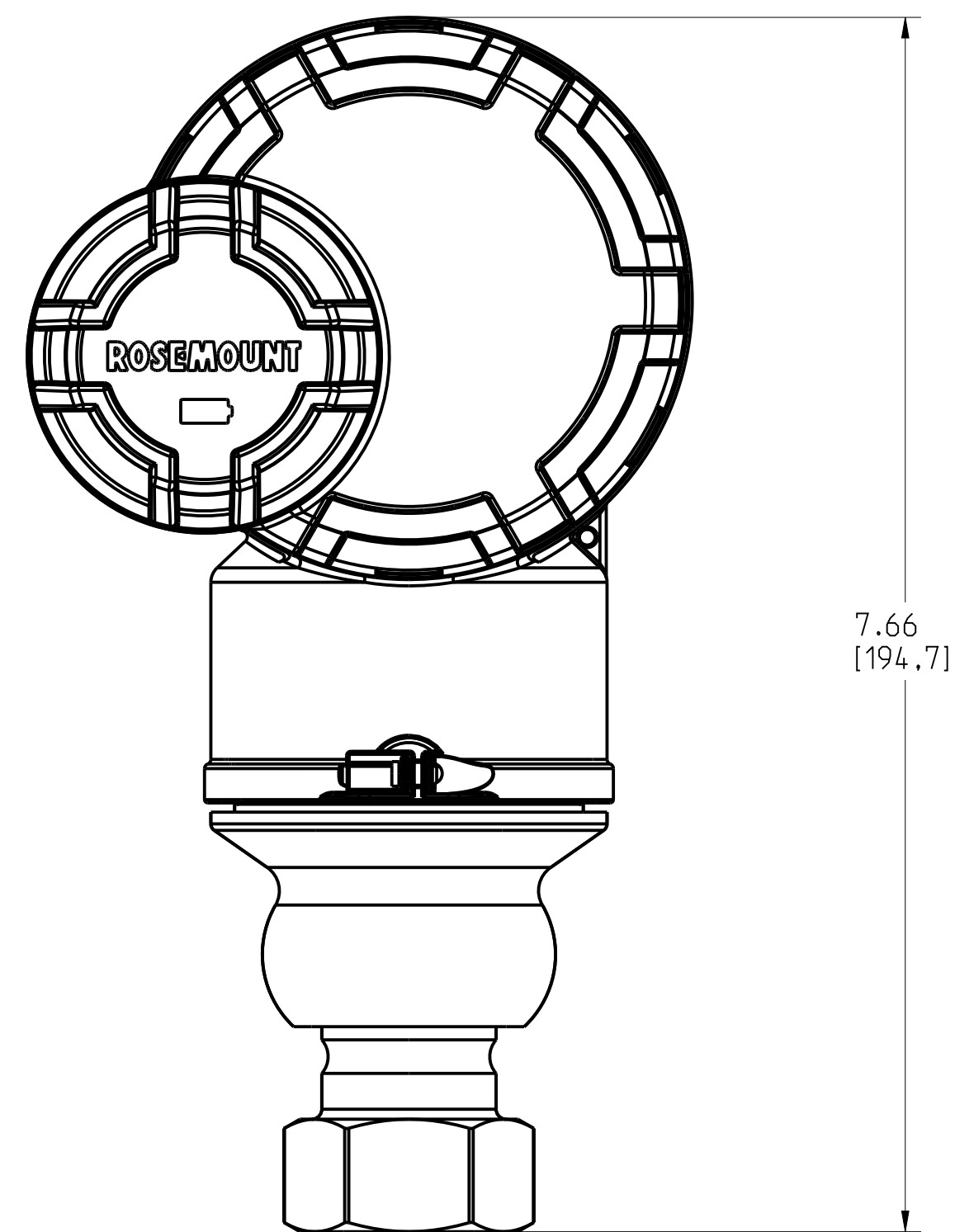
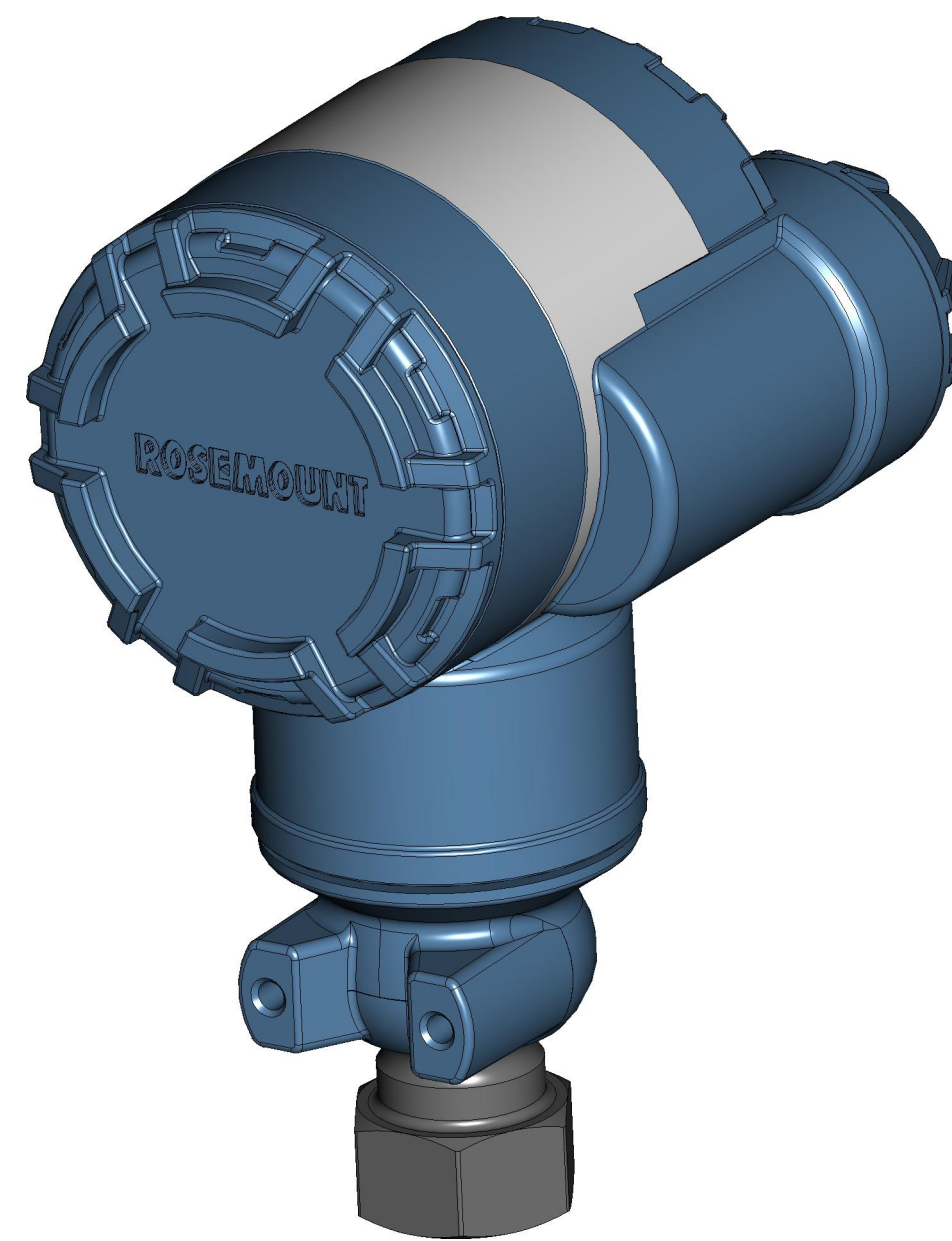
OUTPUT CODE X  
POLYMER HOUSING



PRESSURE RANGE OPTION 5A

PRESSURE RANGE OPTION 1A-4A

SHOWN WITH HS OPTION



©2015 ROSEMOUNT, INC.  
ROSEMOUNT, INC. CLAIMS  
THESE DRAWINGS ARE MADE IN  
ACCORDANCE WITH  
ROSEMOUNT ENGINEERING  
SPECIFICATIONS.  
UNIT NOTES IN INCHES (mm).

REFERENCE ROSEMOUNT  
PRODUCT SPECIFICATIONS.  
CLICK HERE

EMERSON

TITLE ROSEMOUNT 2051T IN-LINE  
TYPE I DRAWING

DR. JLA 12/23/16 DRAWING NO. 02051-7711

APP'D A WAGENER 12/23/16

CAD MAINTAINED (PRO/E)

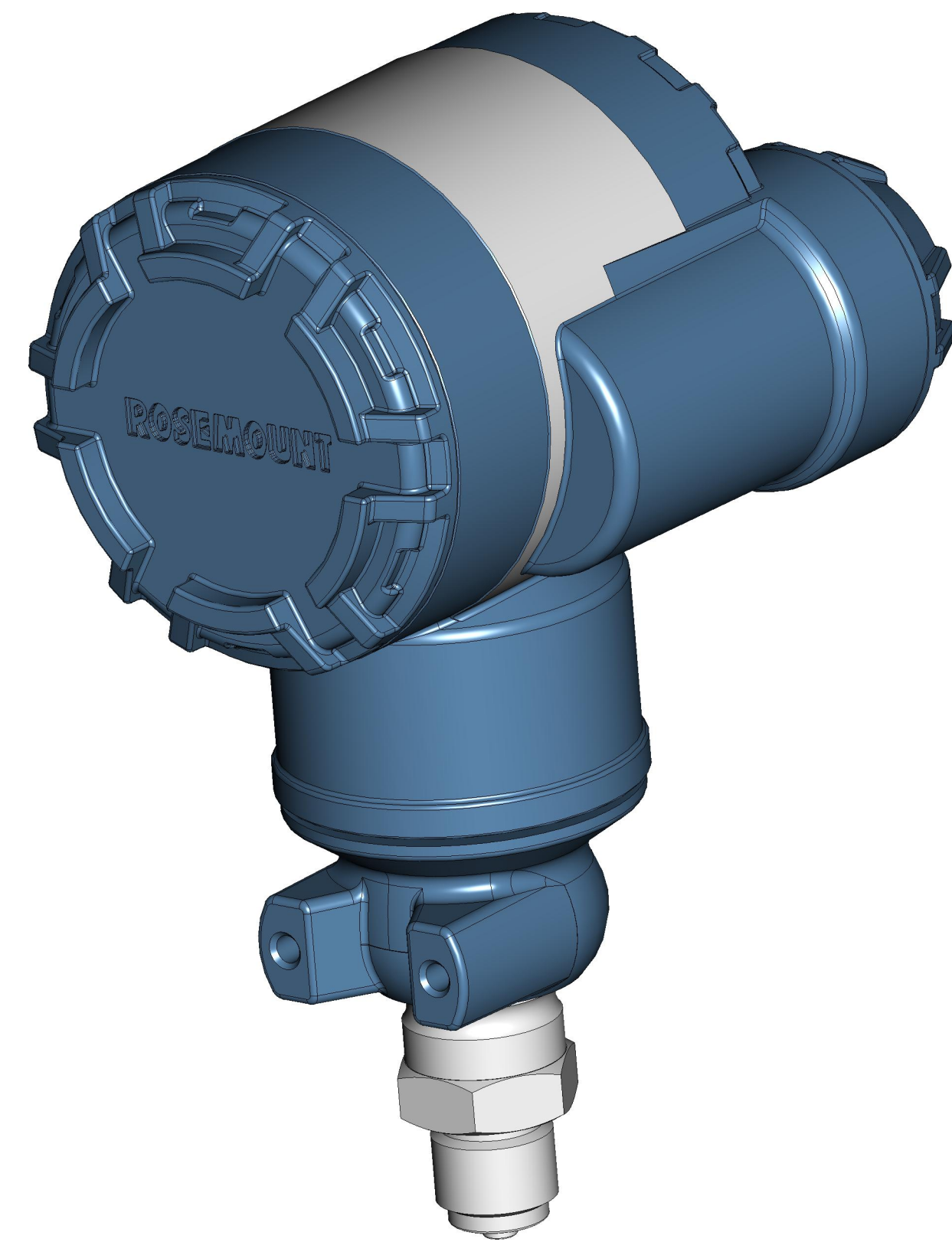
3RD ANGLE

SIZE D

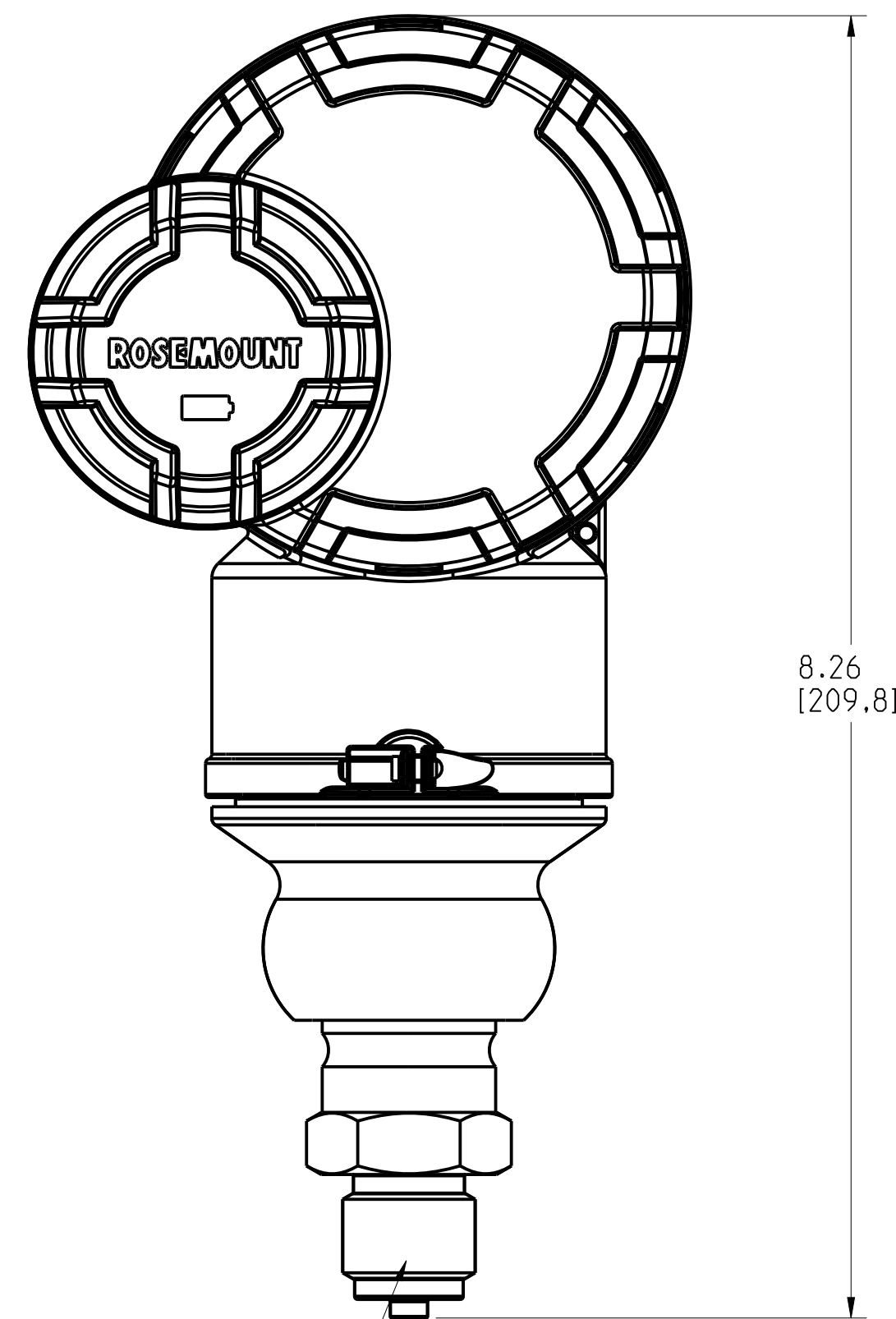
SCALE NTS

SHEET 4 OF 6

ROSEMOUNT 2051T WIRELESS IN-LINE PRESSURE TRANSMITTER



G 1/2 A DIN 16288 MALE  
PROCESS CONNECTION



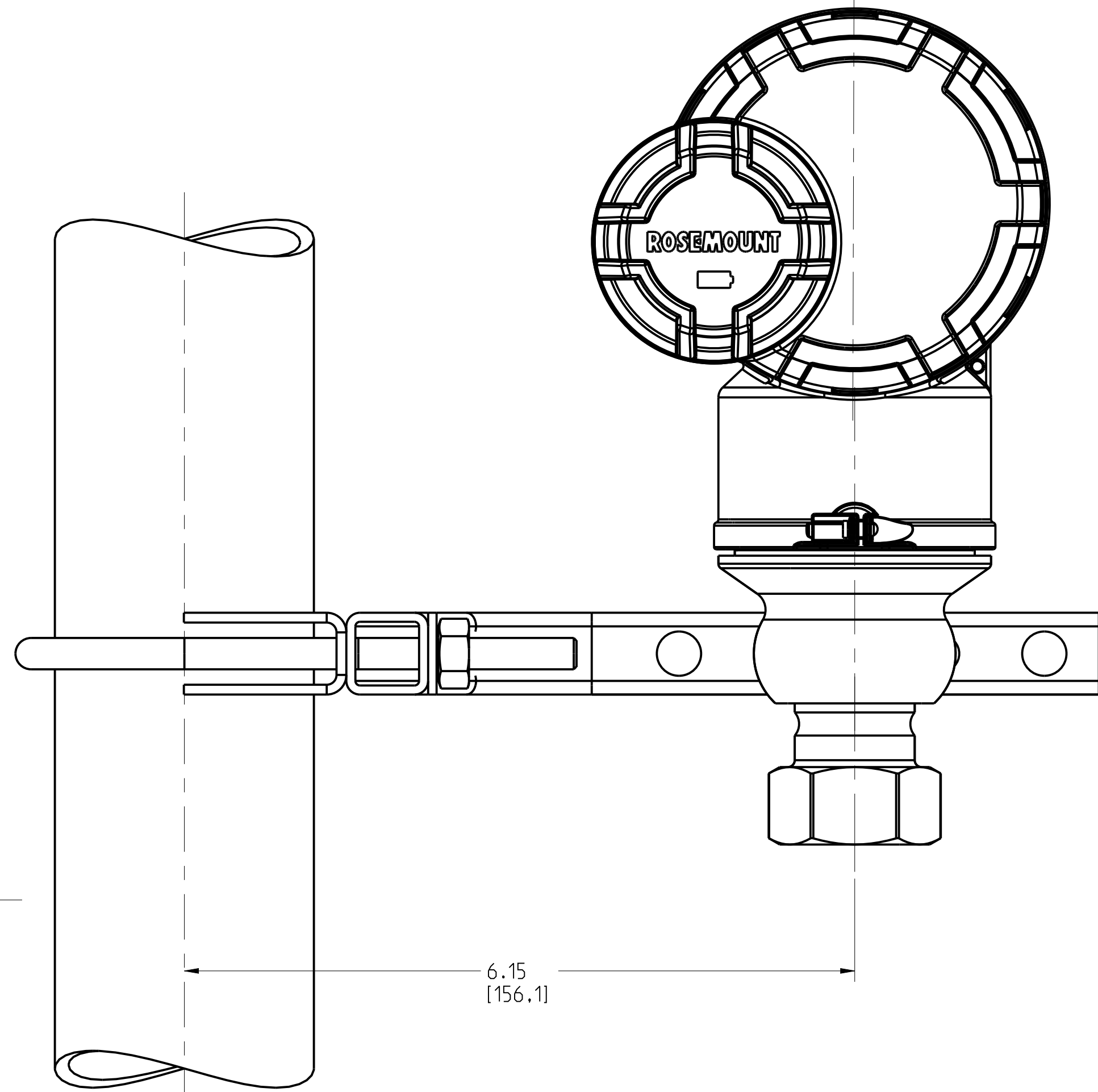
8.26  
[209.8]

G 1/2 A DIN 16288 MALE

©2015 ROSEMOUNT, INC. ROSEMOUNT AND ALL OTHER TRADE NAMES ARE REGISTERED TRADEMARKS OF ROSEMOUNT ENGINEERING SPECIFICATIONS. UNIT NOTES IN INCHES (mm). REFERENCE ROSEMOUNT PRODUCT SPECIFICATIONS FOR PRODUCT SPECIFICATIONS. CLICK HERE	3RD ANGLE	SIZE D	SCALE NTS
	TITLE <b>ROSEMOUNT 2051T IN-LINE          TYPE I DRAWING</b>		
	DR. JLA 12/23/16	DRAWING NO.	<b>02051-7711</b>
APP'D A WAGENER 12/23/16	CAD MAINTAINED (PRO/E)		
			SHEET 5 OF 6

ROSEMOUNT 2051T WIRELESS IN-LINE PRESSURE TRANSMITTER  
MOUNTING CONFIGURATIONS WITH OPTIONAL MOUNTING BRACKET

PIPE MOUNTING

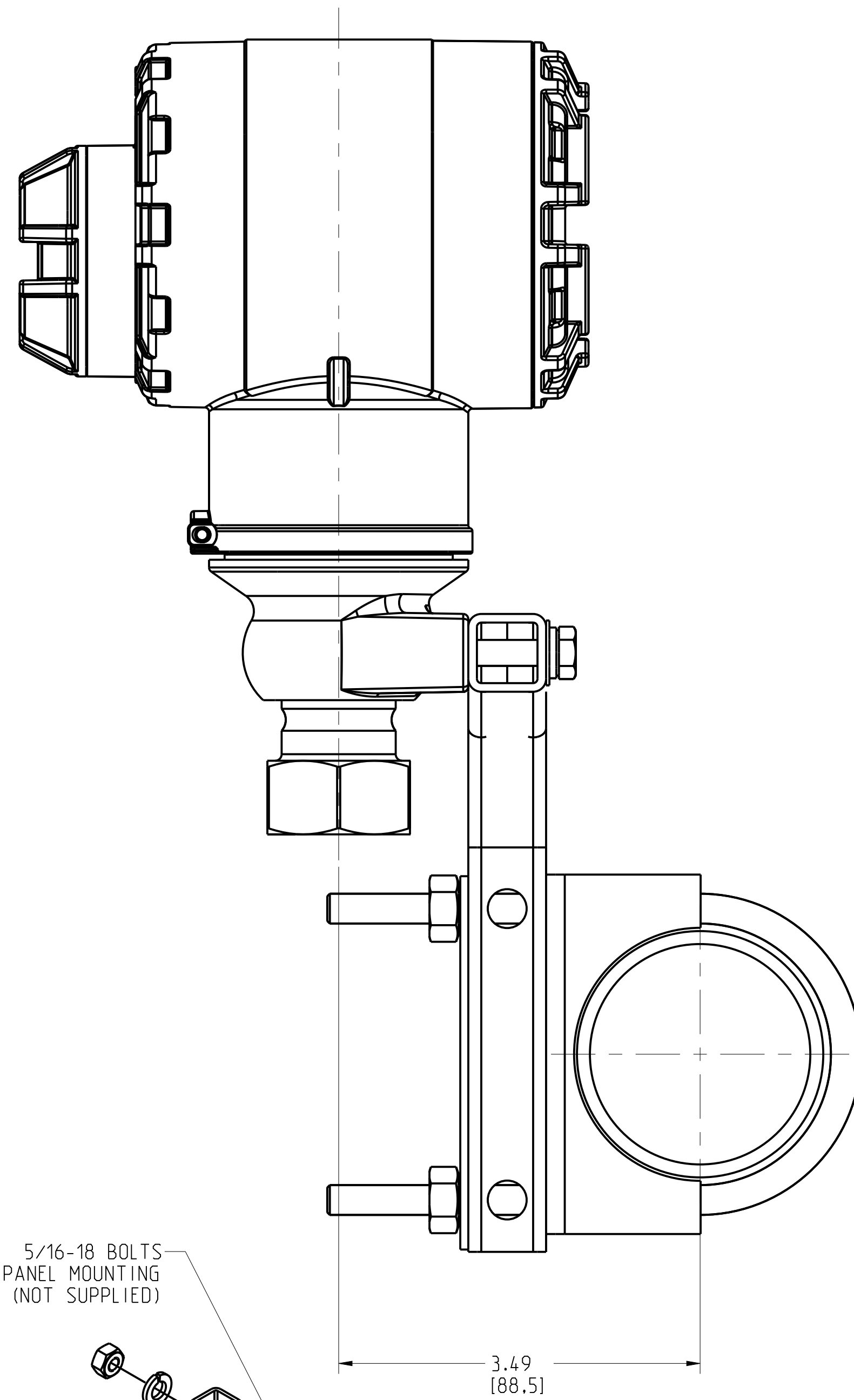


6.15  
[156.1]

2 INCH U-BOLT  
FOR PIPE MOUNTING  
(CLAMP SHOWN)

1/4-20 X 1 1/4 BOLTS  
FOR TRANSMITTER MOUNTING

PIPE MOUNTING

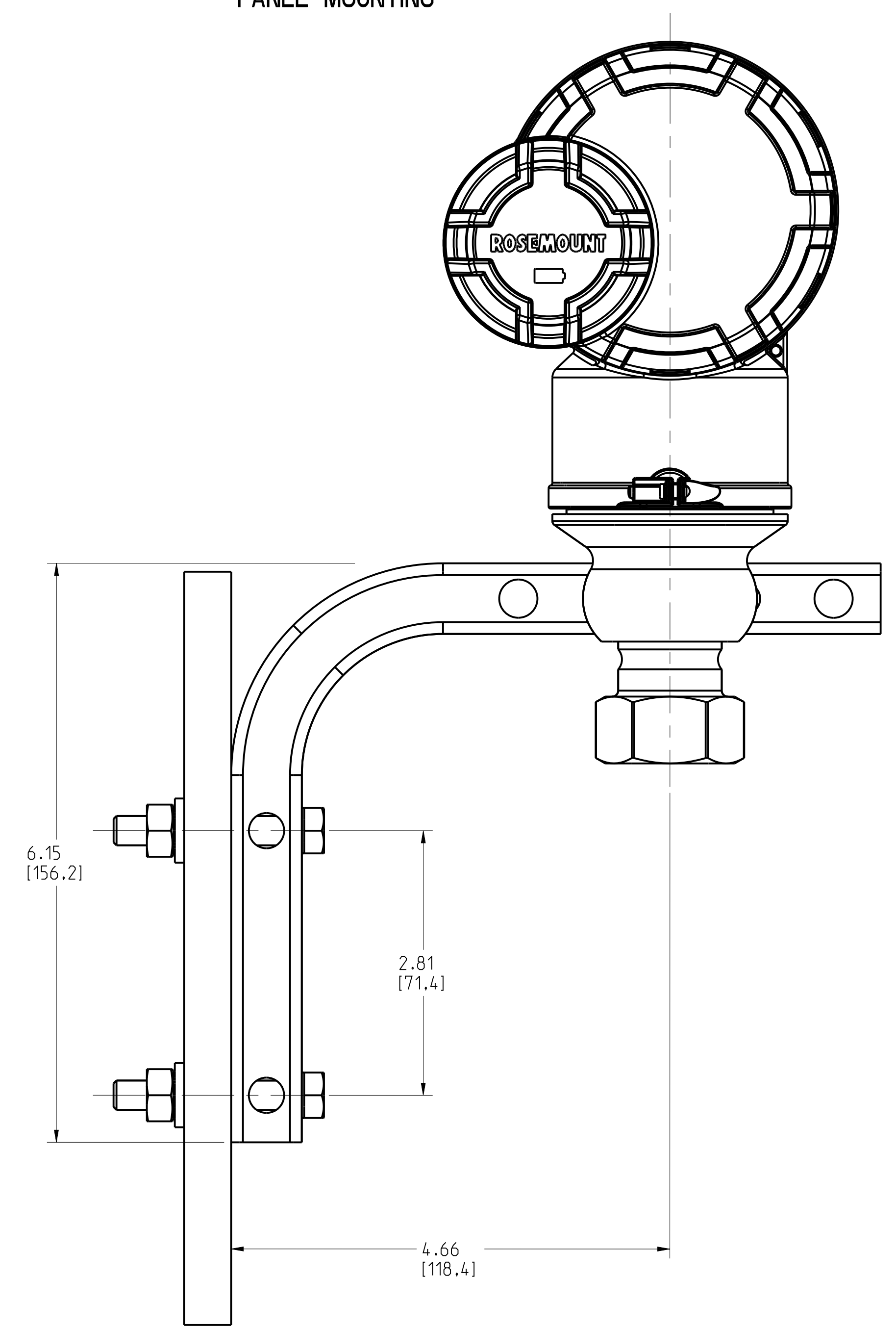


3.49  
[88.5]

5/16-18 BOLTS  
FOR PANEL MOUNTING  
(NOT SUPPLIED)

1/4-20 X 1 1/4 BOLTS  
FOR TRANSMITTER MOUNTING

PANEL MOUNTING



6.15  
[156.2]

2.81  
[71.4]

4.66  
[118.4]

©2015 ROSEMOUNT, INC.  
ROSEMOUNT AND ALL OTHER  
TRADEMARKS ARE THE PROPERTY OF  
ROSEMOUNT ENGINEERING  
SPECIFICATIONS.  
UNIT NOTES IN INCHES (mm).  
REFERENCE ROSEMOUNT  
PRODUCT SPECIFICATIONS.  
CLICK HERE

3RD ANGLE		SIZE D	SCALE NTS
<b>EMERSON</b>			
TITLE ROSEMOUNT 2051T IN-LINE TYPE I DRAWING			
DR.	JLA 12/23/16	DRAWING NO.	02051-7711
APP'D	A WAGENER 12/23/16		
CAD MAINTAINED: (PRO/E)			SHEET 6 OF 6