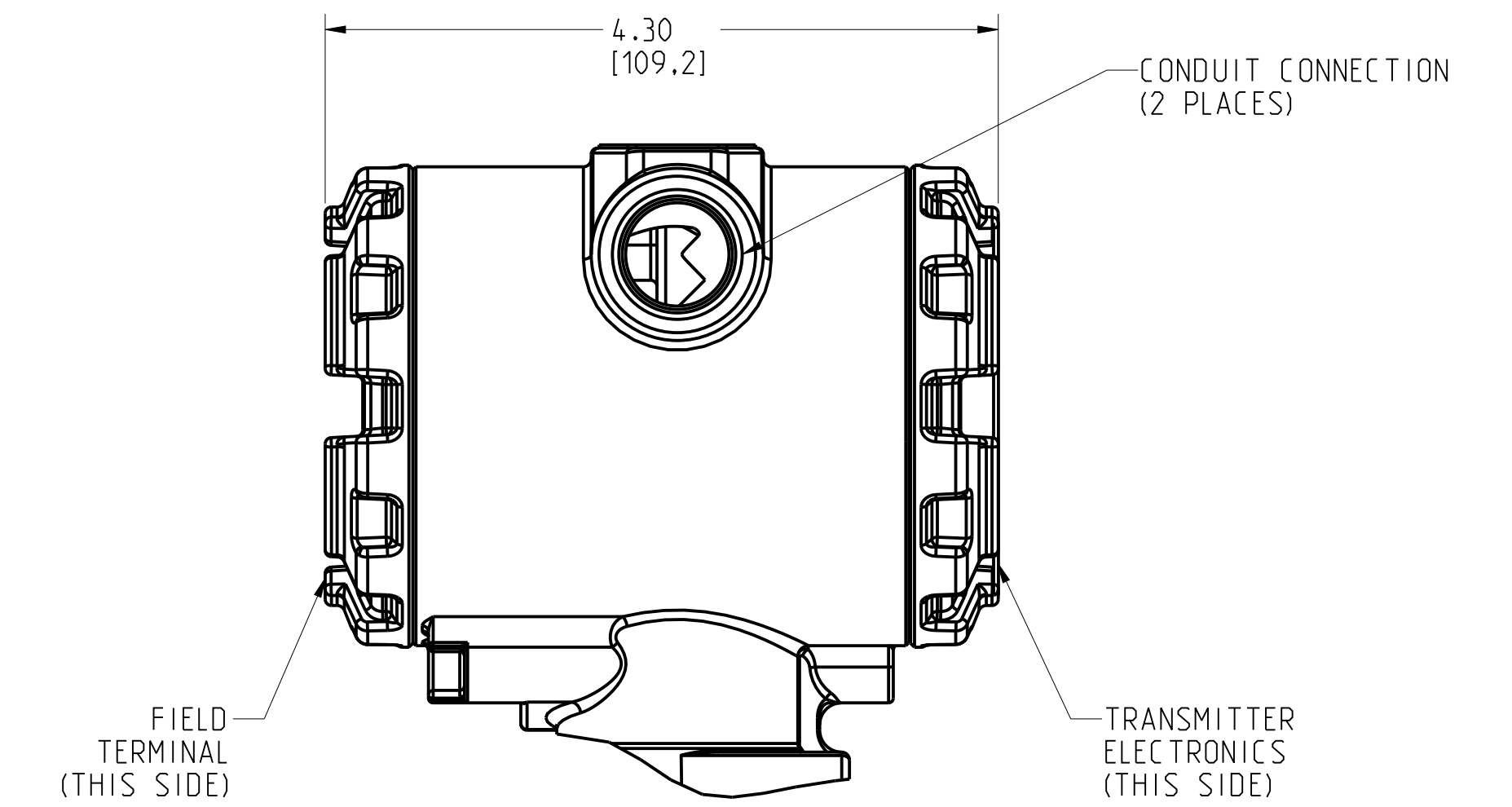
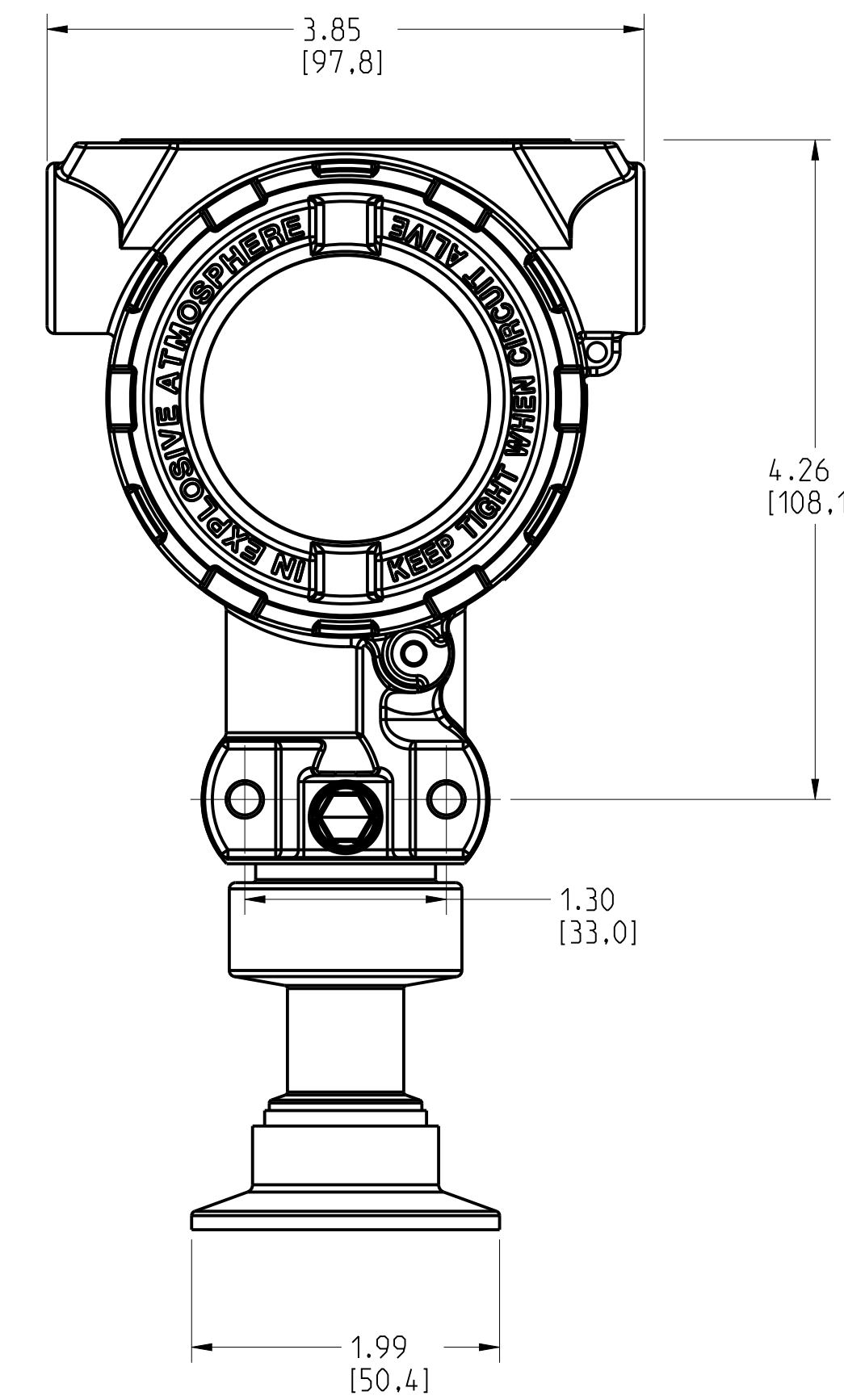
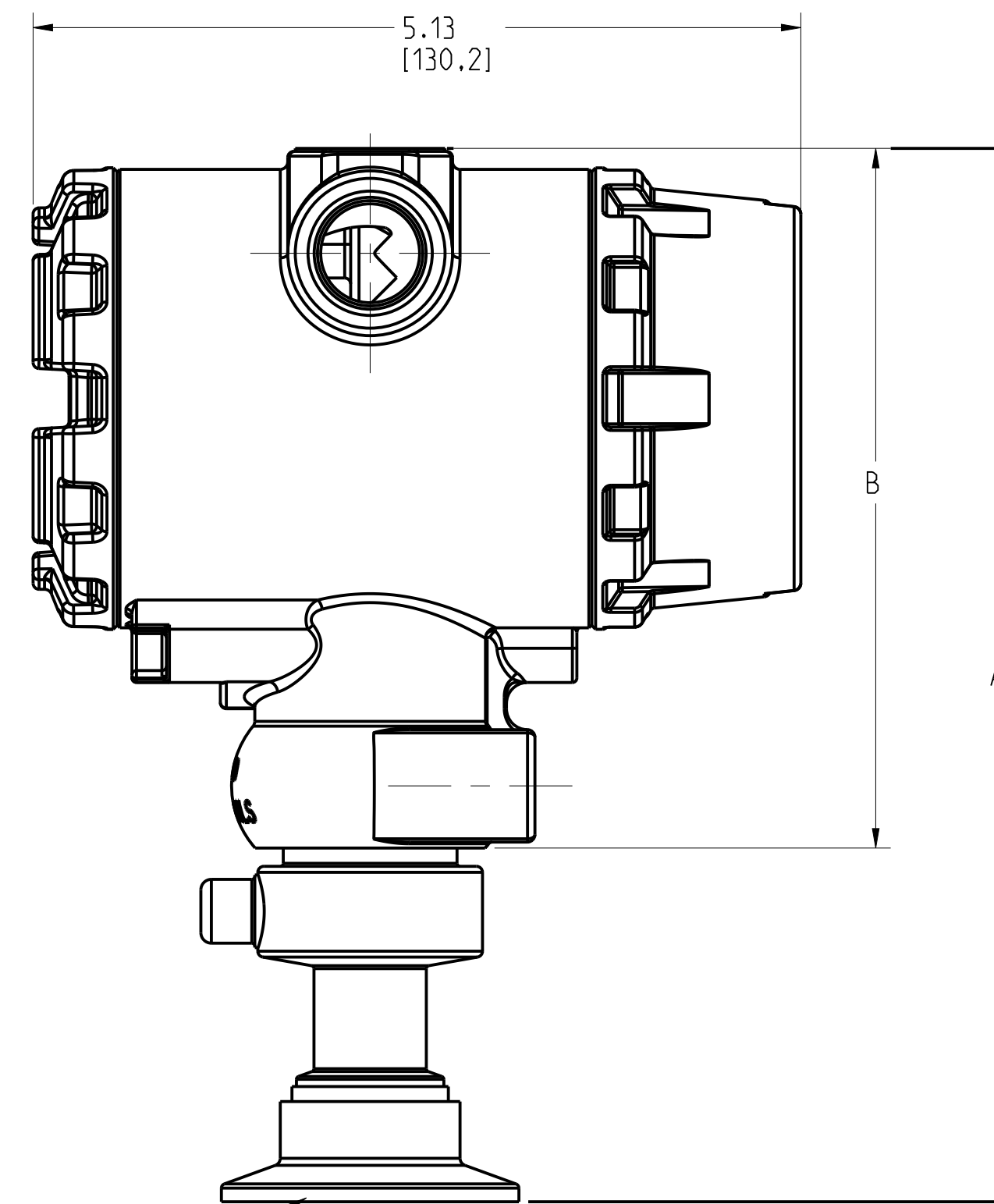


ROSEMOUNT 2051HT PRESSURE TRANSMITTER WITH ALUMINUM HOUSING AND HYGIENIC CLAMP CONNECTION

REVISION TABLE			
REVISION	ECO NO.	APP'D	DATE
AC	RTC1081881	B. HASCHKE	11/14/23
DESCRIPTION			
RE-ORIENT VARIENT F AND VARIENT N AND ADD RETAINING NUT			

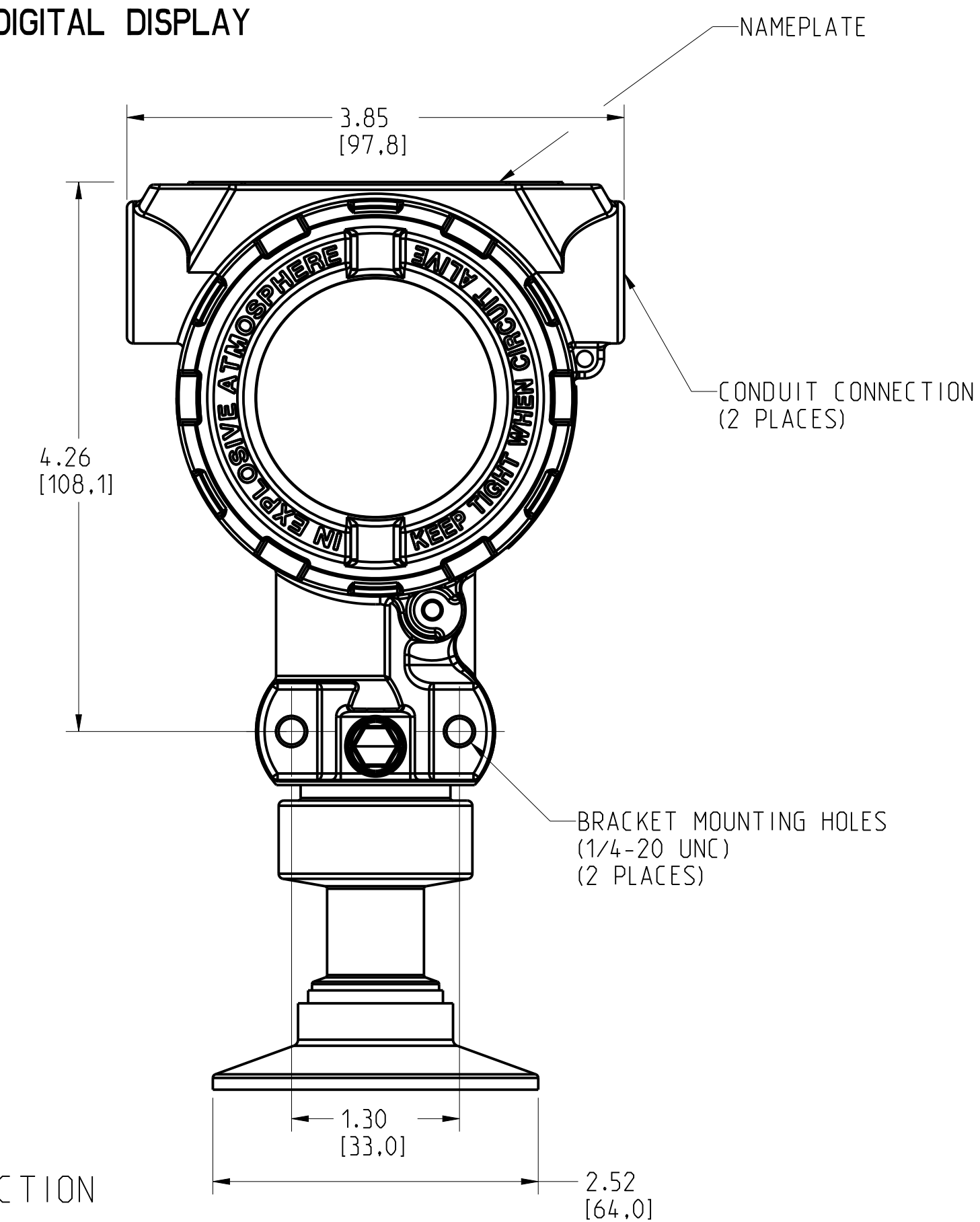
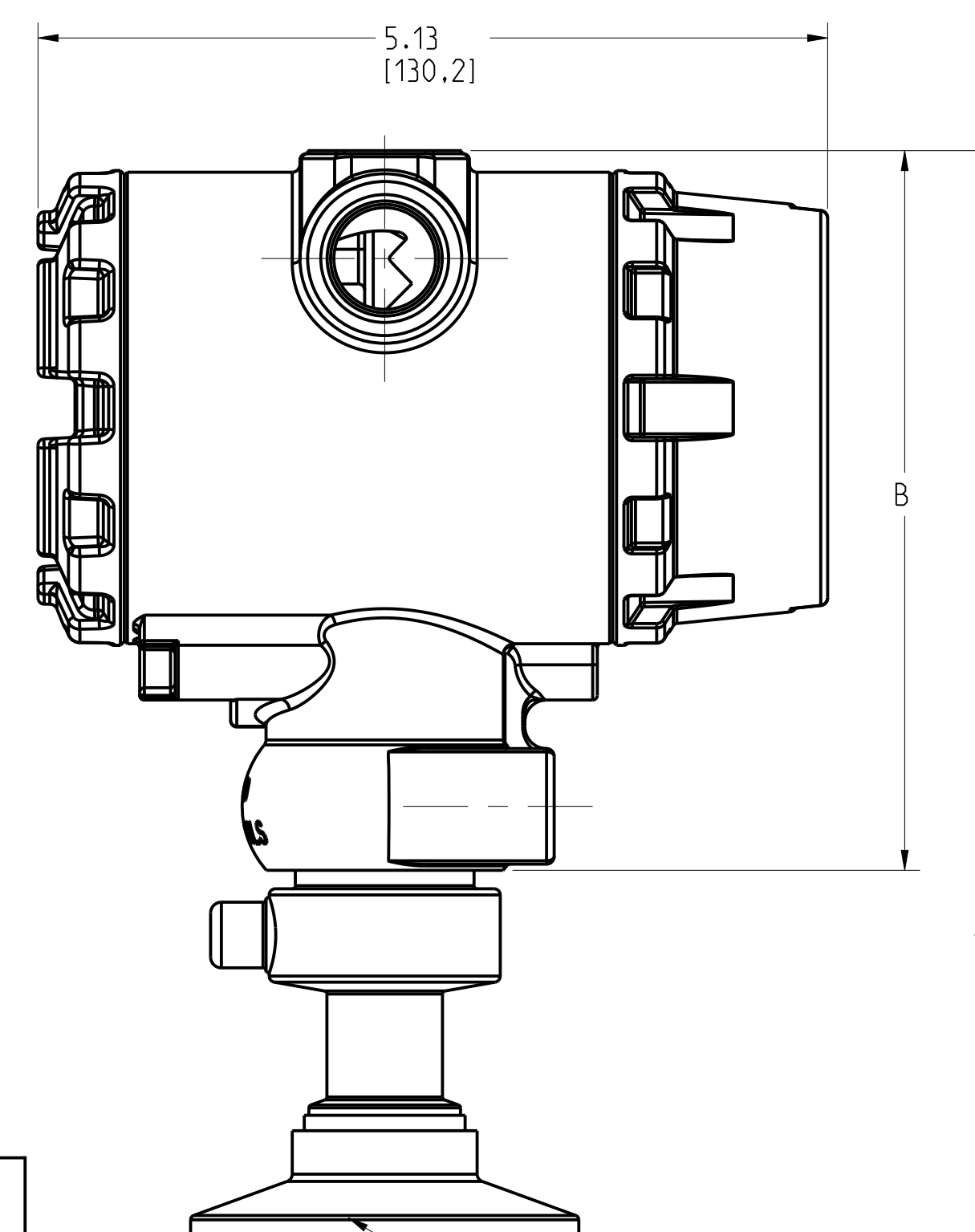
SHOWN WITH OPTIONAL DIGITAL DISPLAY

SHOWN WITHOUT DIGITAL DISPLAY

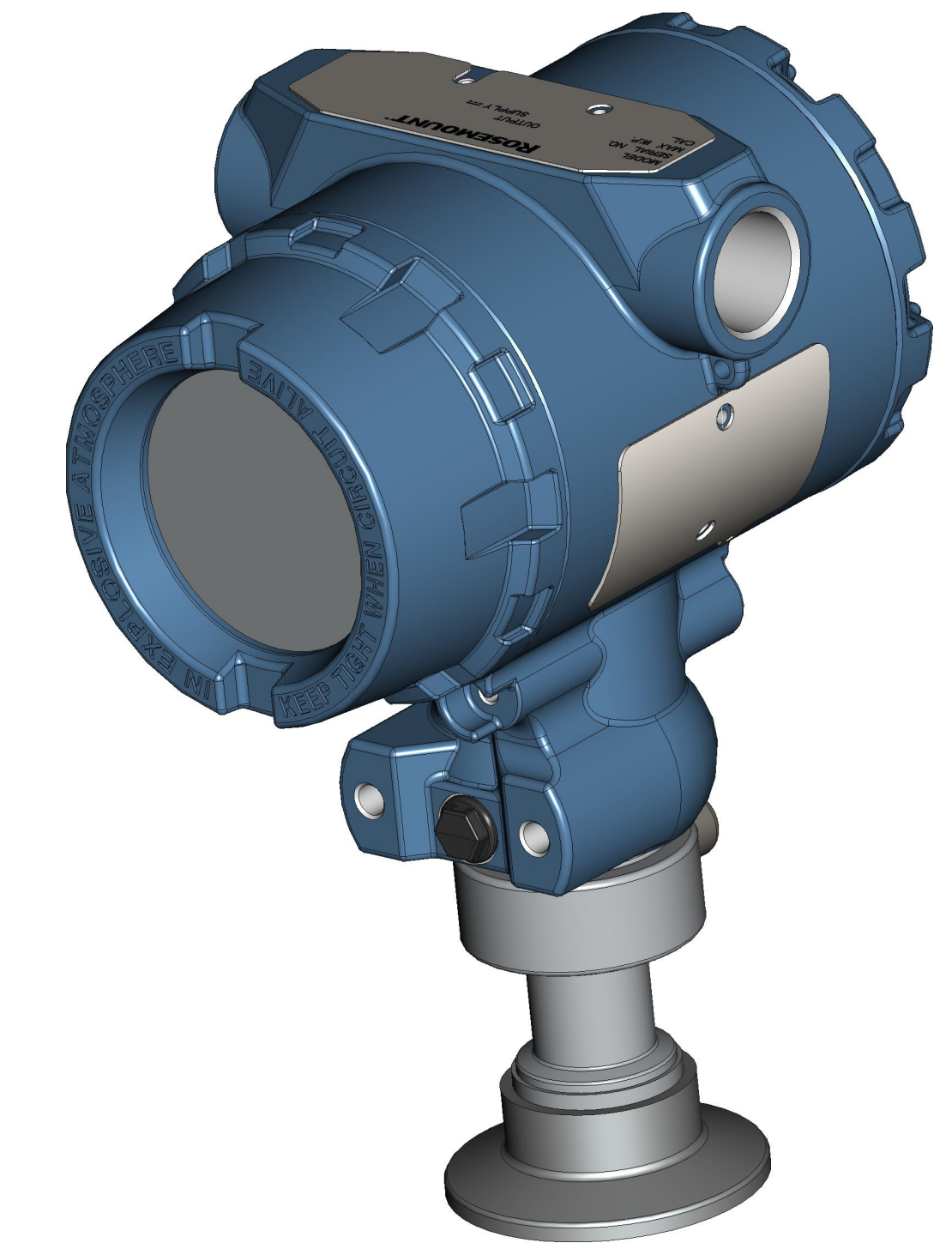


1.5" HYGIENIC CLAMP CONNECTION

SHOWN WITH OPTIONAL DIGITAL DISPLAY



2" HYGIENIC CLAMP CONNECTION



PRESSURE RANGE	DIM A (ALUM.)	DIM A (SST)	DIM B (ALUM.)	DIM B (SST)
GP 0.1 /AP 1.2	5.68 [144.3]	5.36 [136.1]	4.67 [118.6]	4.44 [112.8]
GP 2.3	7.01 [178]	6.75 [171.5]	4.67 [118.6]	4.44 [112.8]

©2015 ROSEMOUNT, INC. ROSEMOUNT INCORPORATES THIS INFORMATION IN ACCORDANCE WITH ROSEMOUNT ENGINEERING SPECIFICATIONS. UNIT NOTES IN INCHES (mm).

REFERENCE ROSEMOUNT PRODUCT SHEETS FOR PRODUCT SPECIFICATIONS. CLICK HERE

3RD ANGLE

EMERSON

TITLE: ROSEMOUNT 2051HT TYPE I DRAWING

DR. J. ARMSTRONG 4/14/16 DRAWING NO. 02051-7001

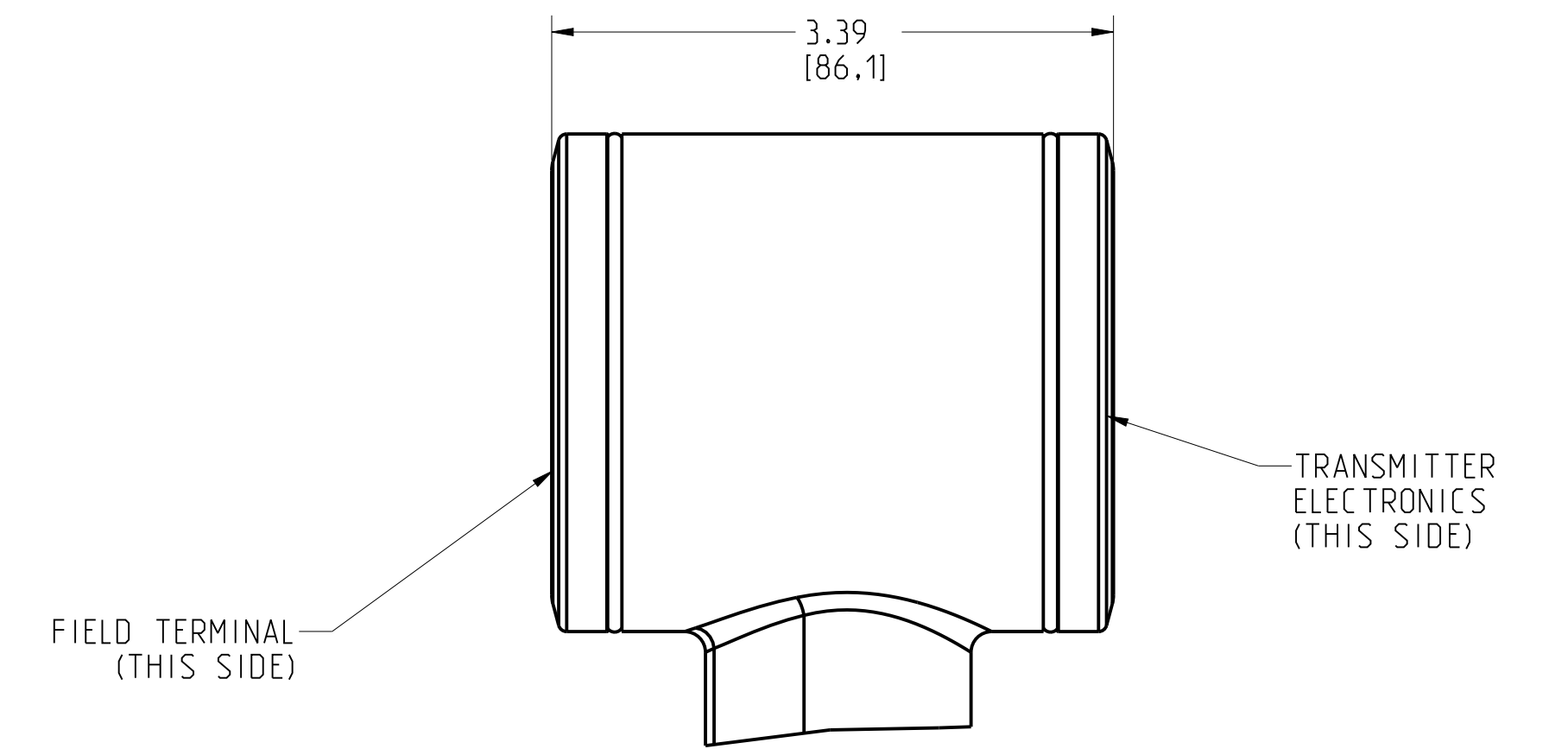
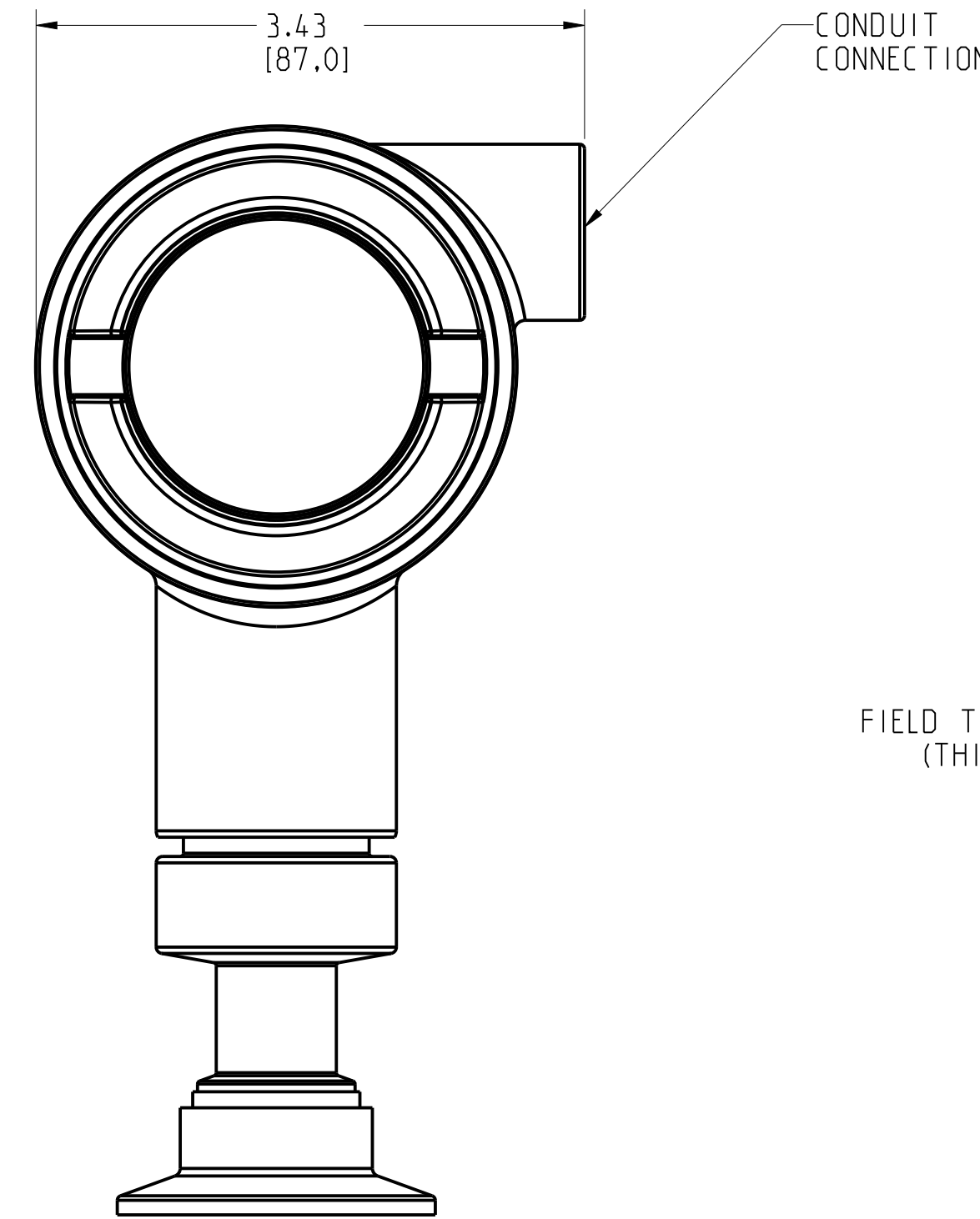
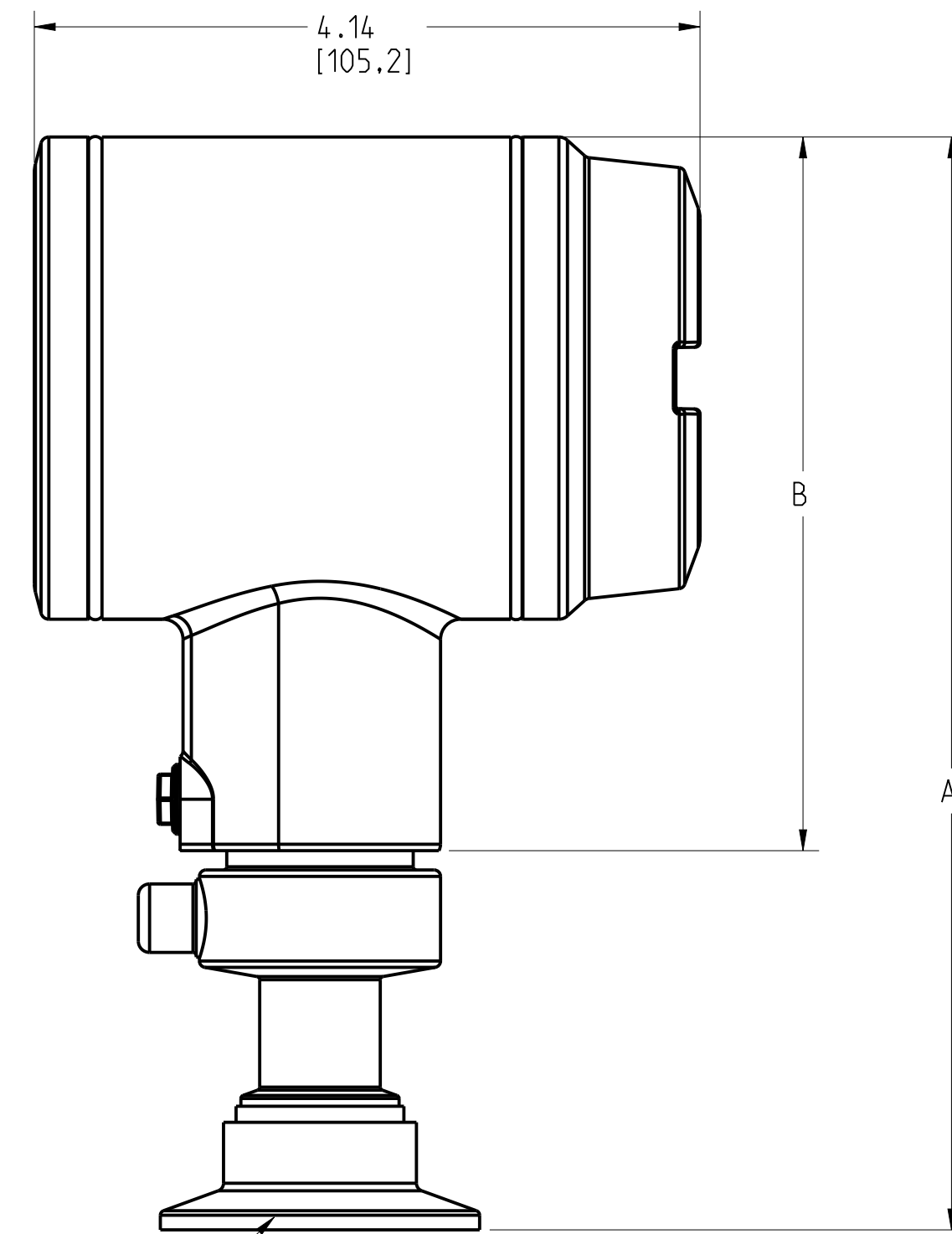
APP'D M. BARTH 4/18/16

CAD MAINTAINED (PRO/E) SHEET 1 OF 5

**ROSEMOUNT 2051HT PRESSURE TRANSMITTER
WITH SST HOUSING AND HYGIENIC CLAMP CONNECTION**

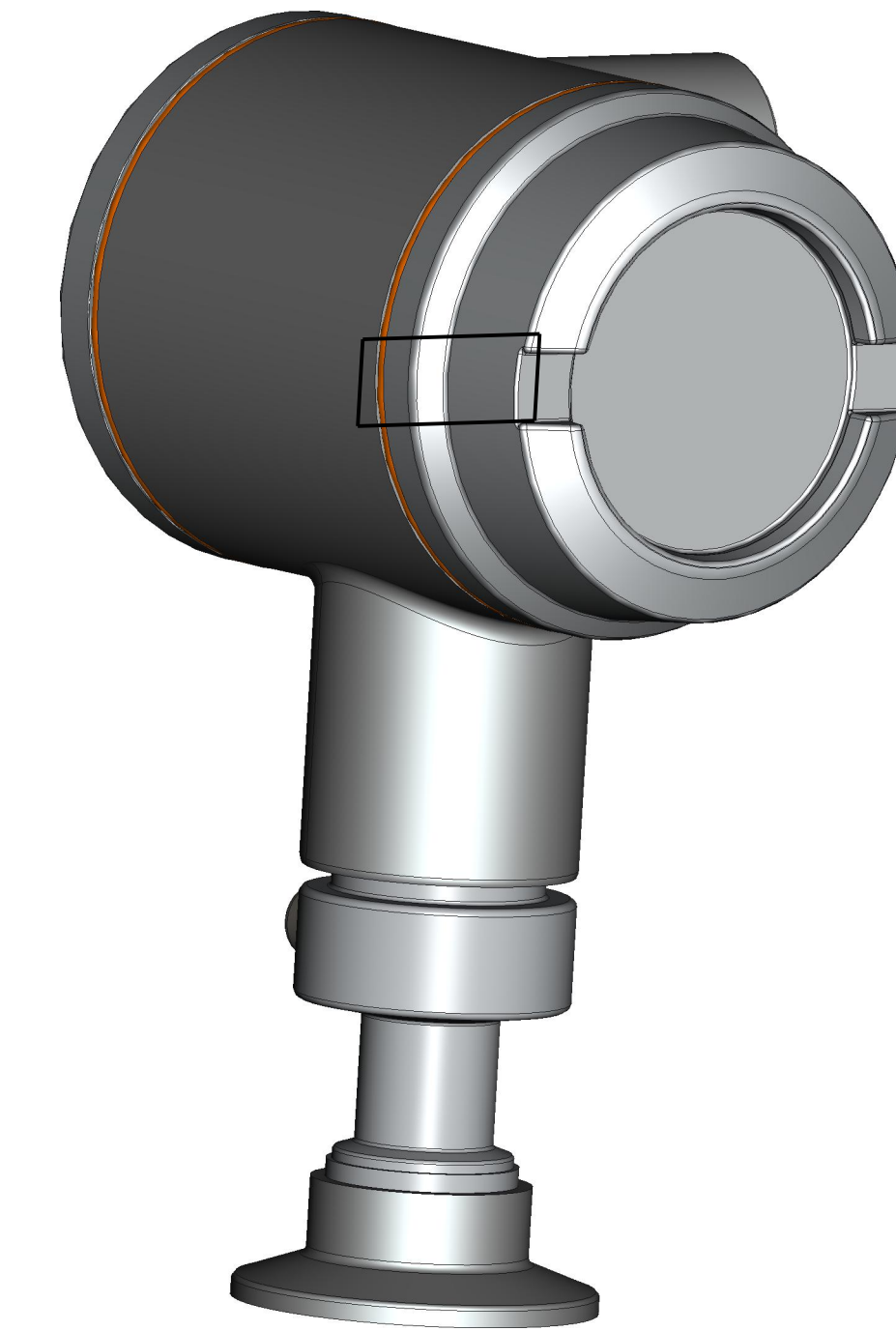
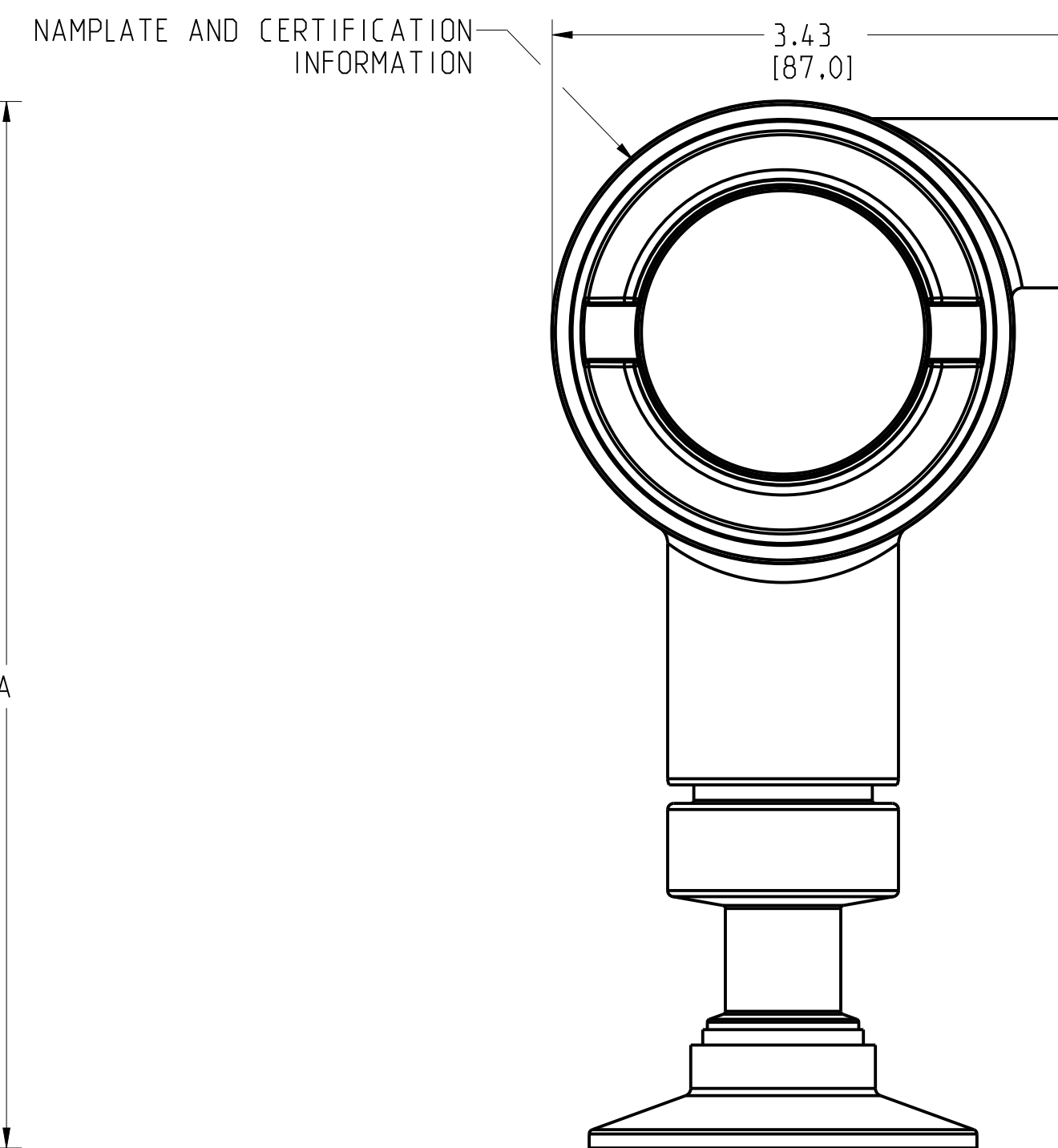
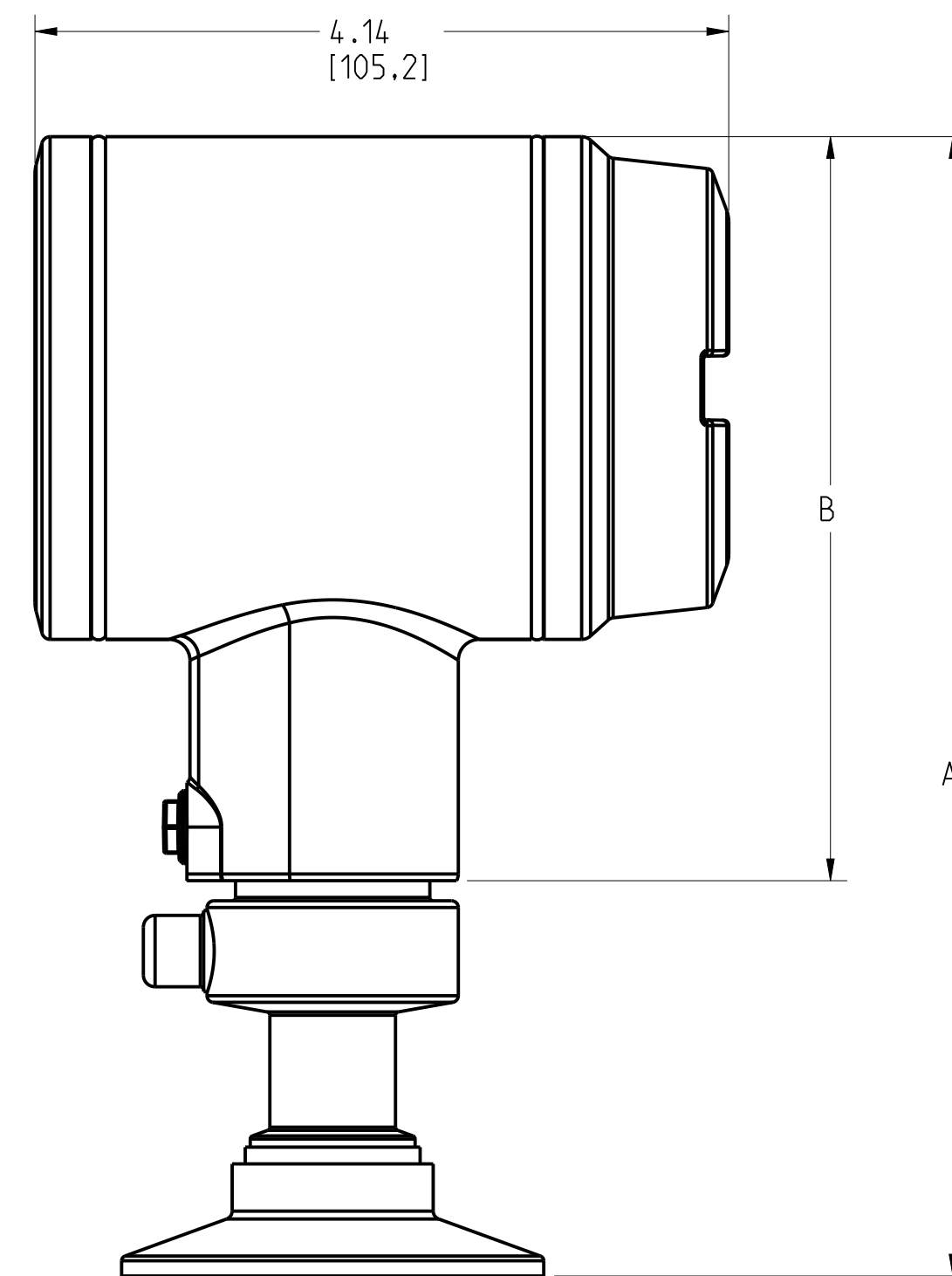
SHOWN WITH OPTIONAL DIGITAL DISPLAY

SHOWN WITHOUT DIGITAL DISPLAY



1.5" HYGIENIC CLAMP CONNECTION

SHOWN WITH OPTIONAL DIGITAL DISPLAY



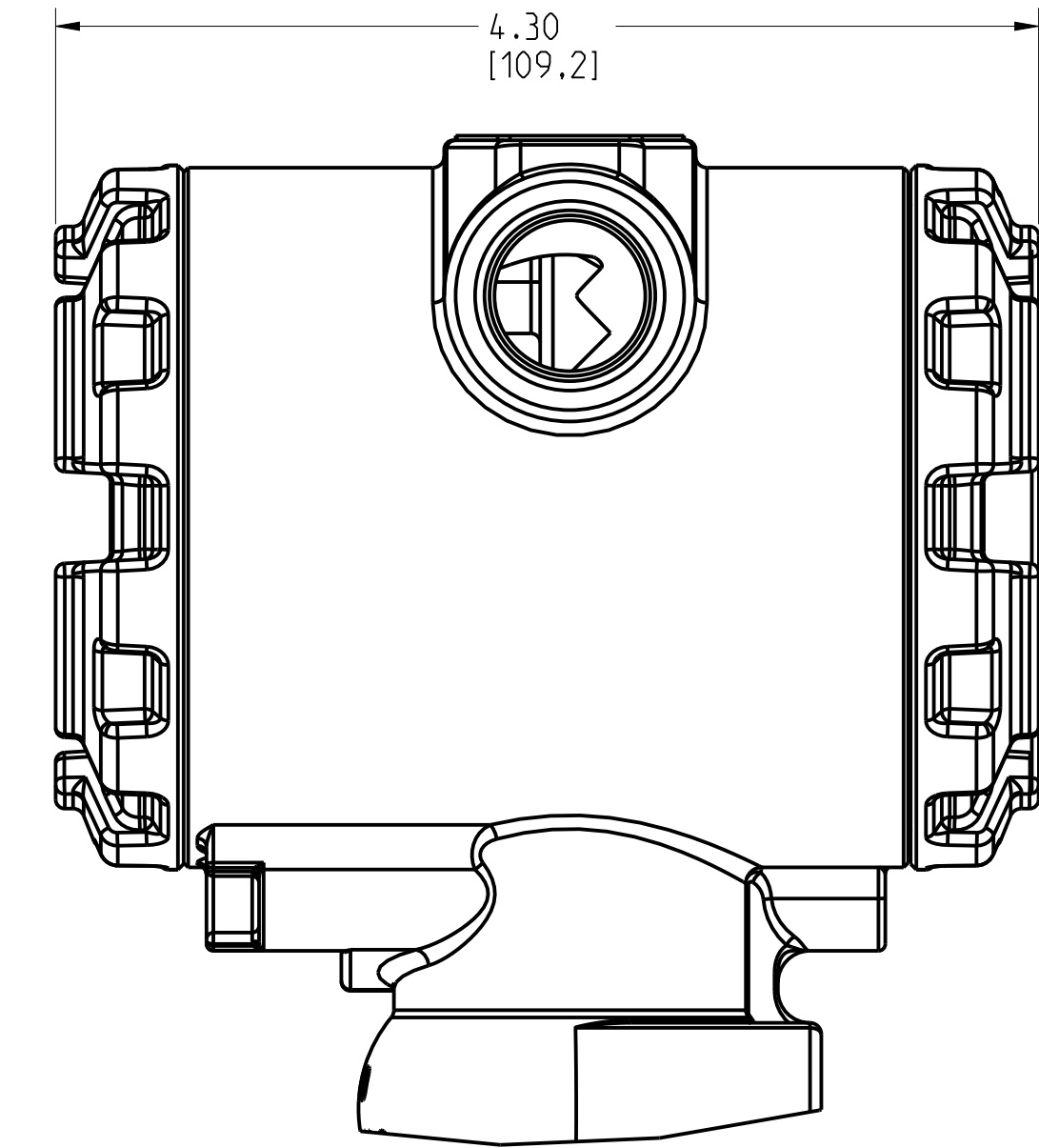
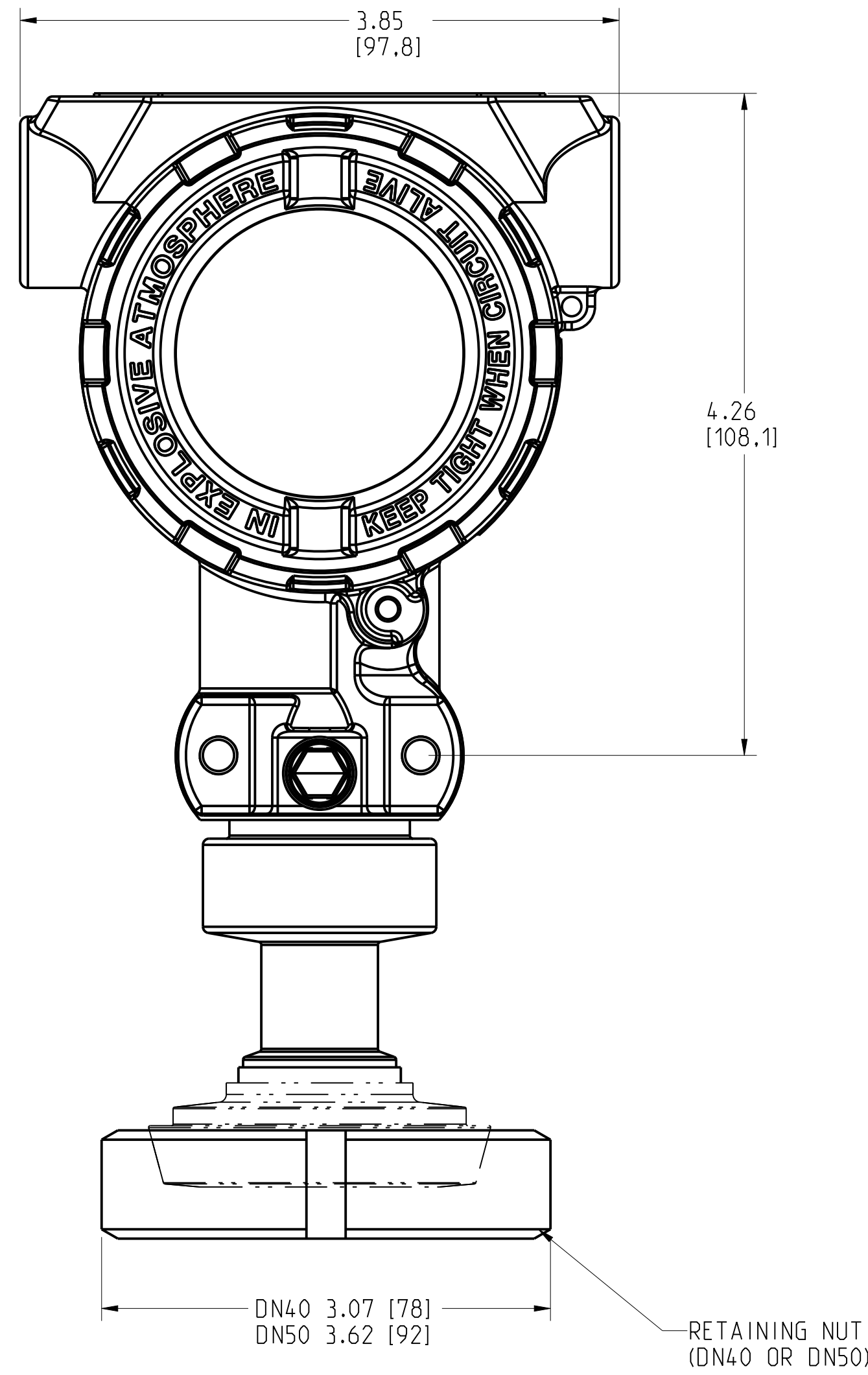
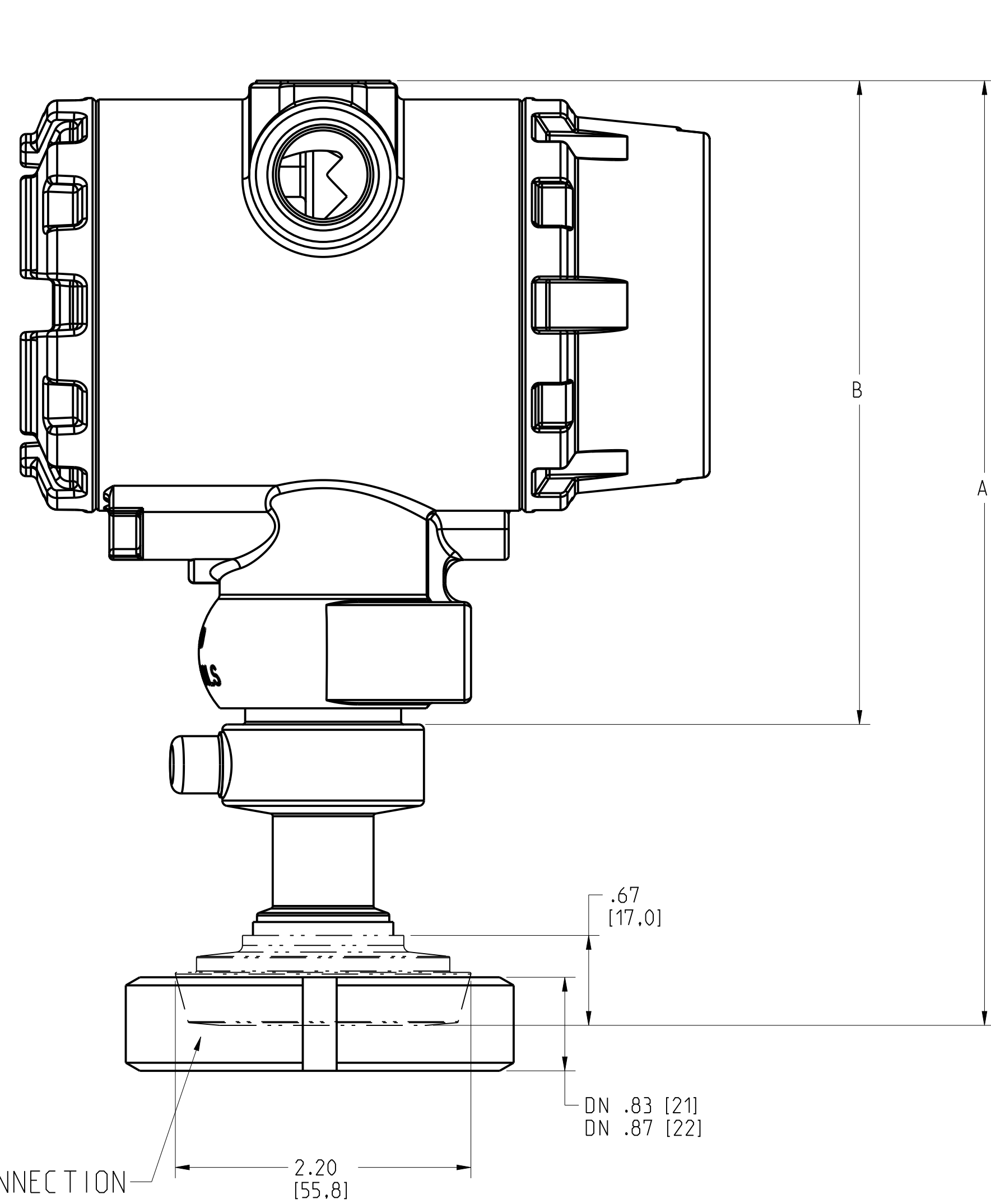
2" HYGIENIC CLAMP CONNECTION

<small>©2015 ROSEMOUNT, INC. ROSEMOUNT INC. EXPRESSLY DISCLAIMS LIABILITY FOR THIS DRAWING. THIS DRAWING IS TO BE USED IN ACCORDANCE WITH ROSEMOUNT ENGINEERING SPECIFICATIONS. UNIT NOTES IN INCHES (mm). REFERENCE ROSEMOUNT PRODUCT SPECIFICATIONS FOR PRODUCT SPECIFICATIONS. CLICK HERE</small>	<small>3RD ANGLE</small> 	<small>SIZE</small> D	<small>SCALE</small> NTS
	TITLE ROSEMOUNT 2051HT TYPE I DRAWING		
	<small>DR.</small> J. ARMSTRONG <small>DATE</small> 4/14/16 <small>DRAWING NO.</small>	02051-7001	
<small>APP'D</small> M. BARTH <small>DATE</small> 4/18/16	<small>CAD MAINTAINED (PRO/E)</small>		
			<small>SHEET 2 OF 5</small>

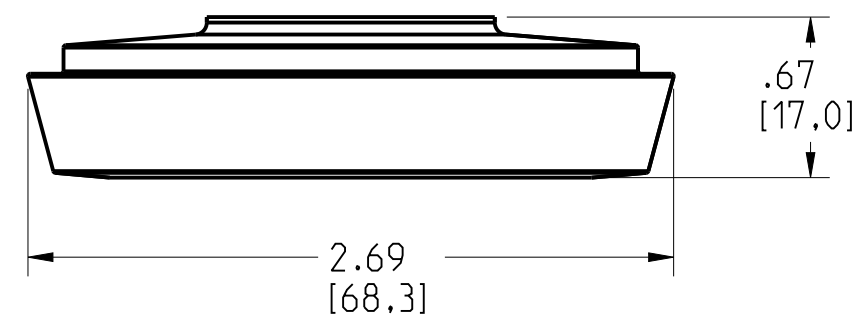
ROSEMOUNT 2051HT PRESSURE TRANSMITTER WITH ALUMINUM HOUSING AND HYGIENIC CONNECTION

SHOWN WITH OPTIONAL DIGITAL DISPLAY AND
DIN 11851 DN40

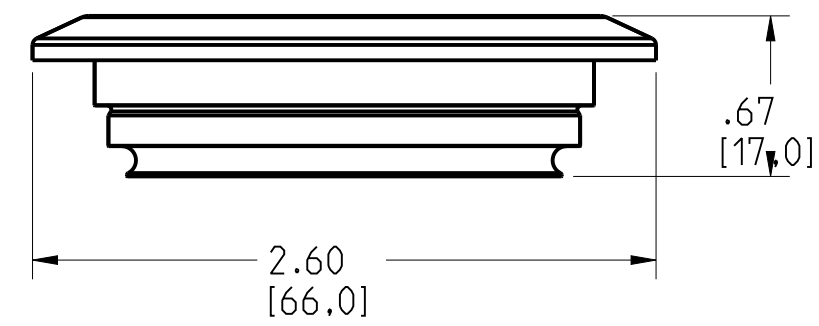
SHOWN WITHOUT OPTIONAL DIGITAL DISPLAY



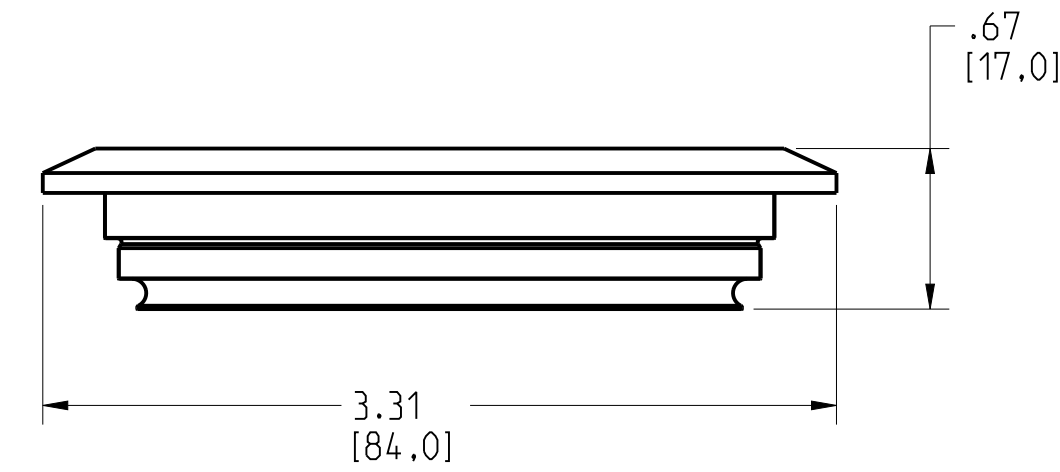
DIN 11851 DN40 CONNECTION



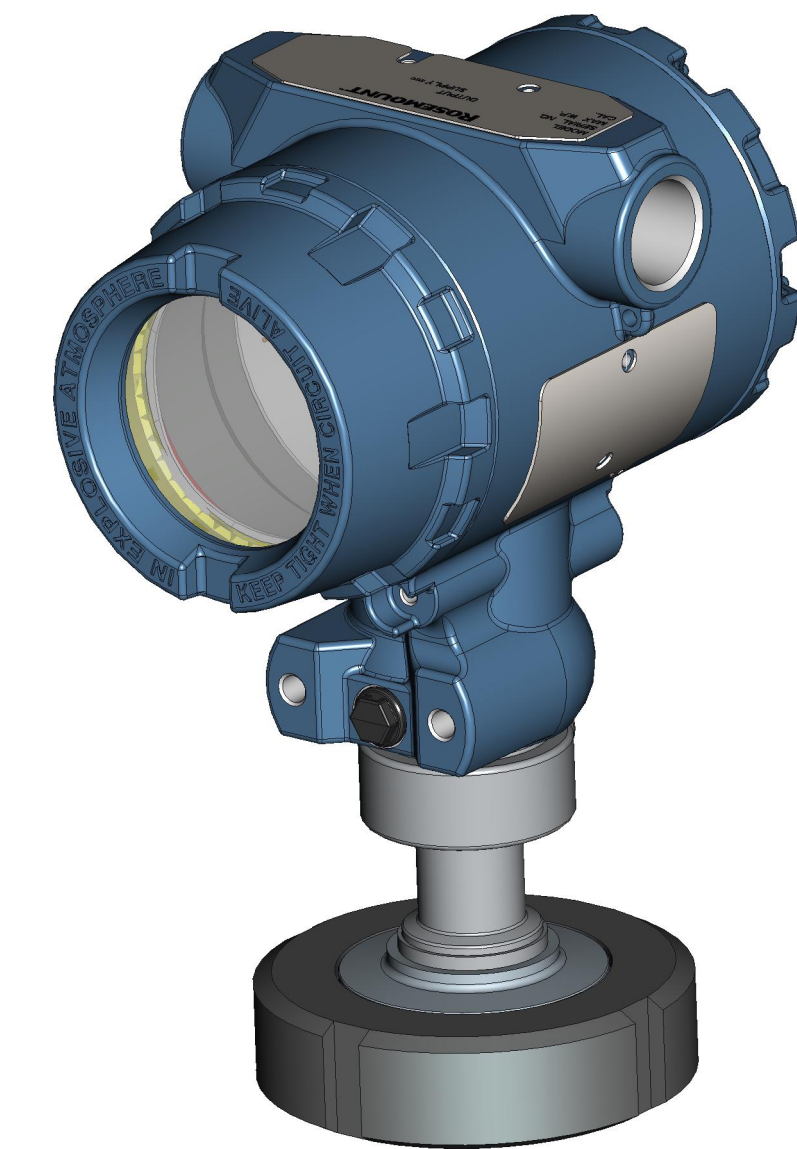
DIN 11851
DN 50



VARIVENT F



VARIVENT N

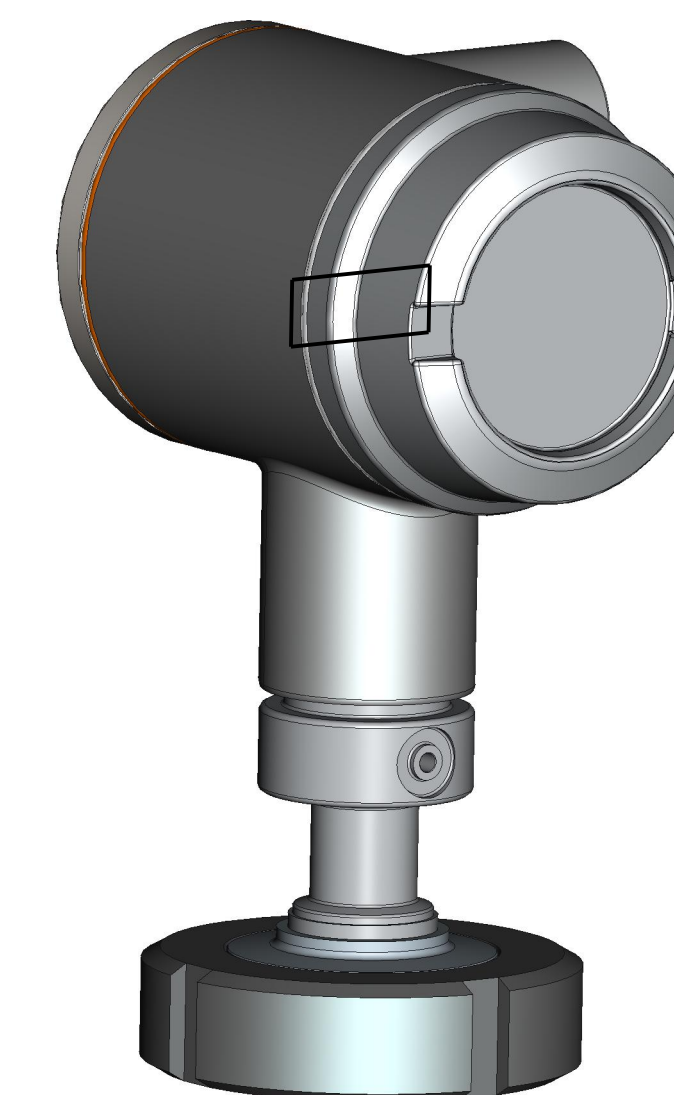
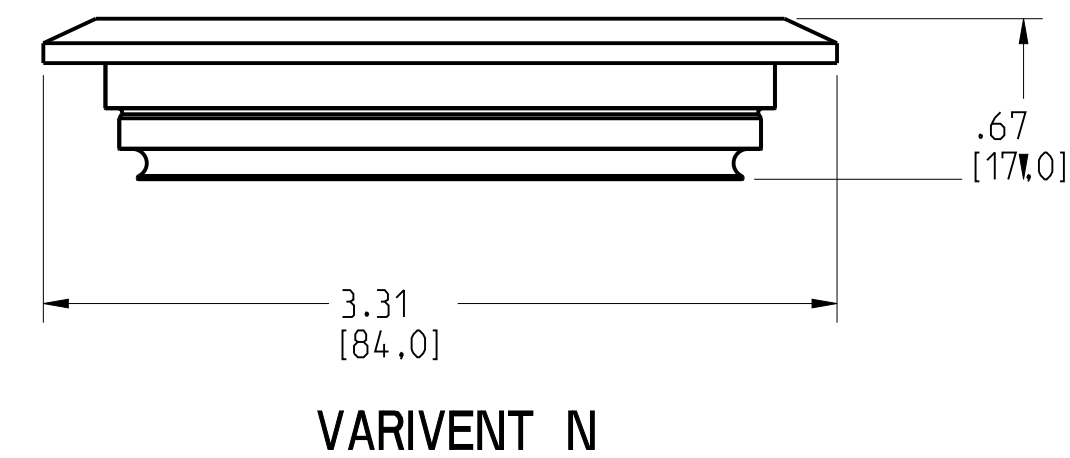
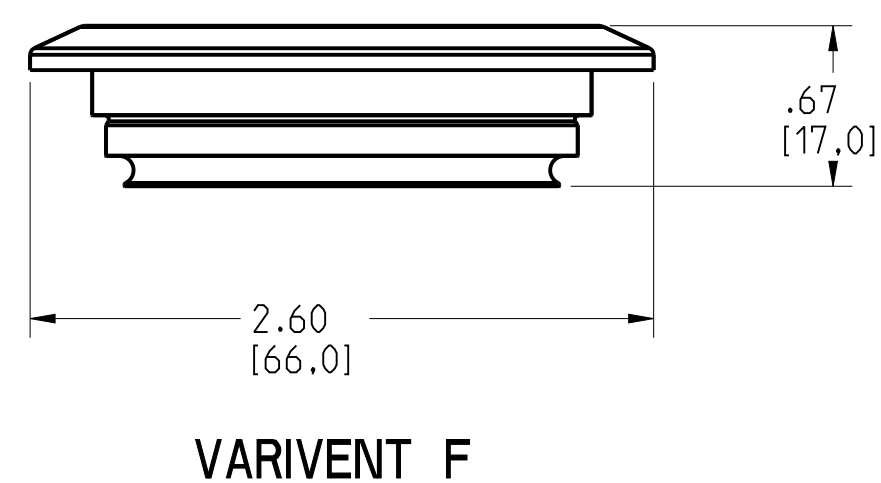
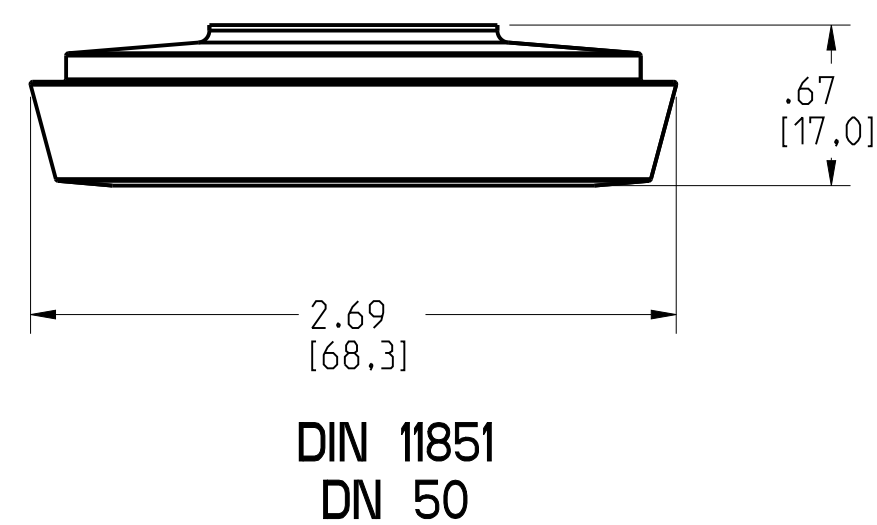
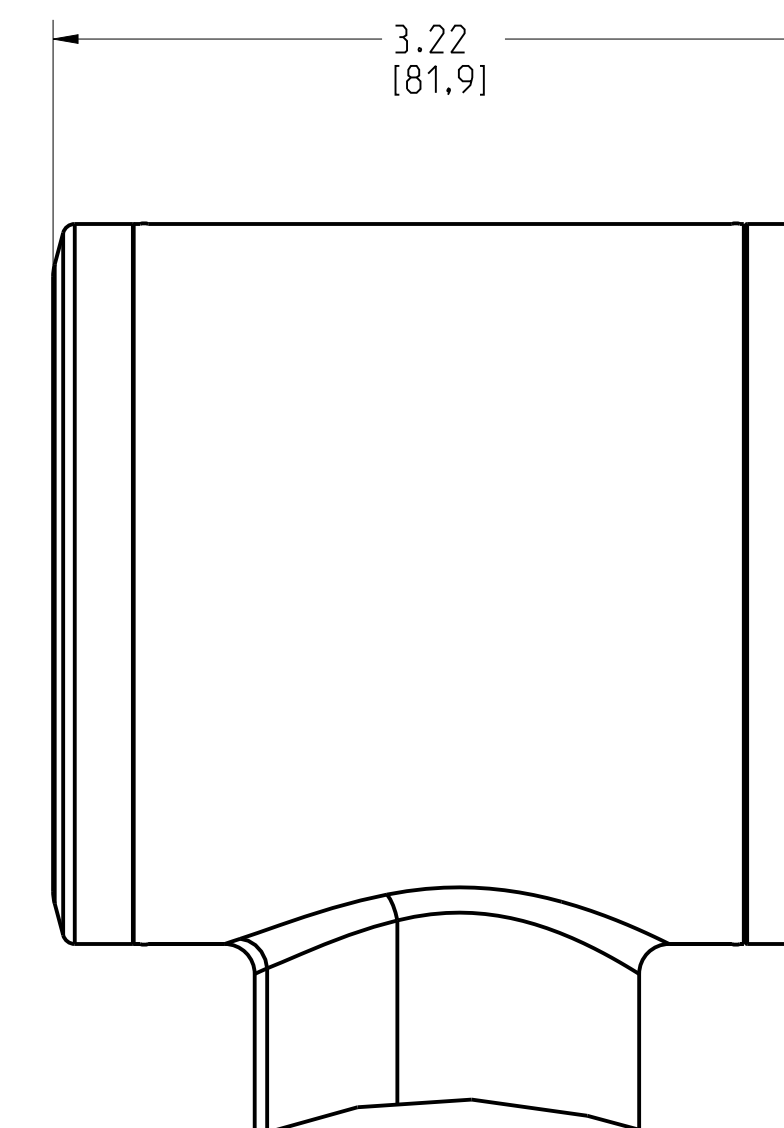
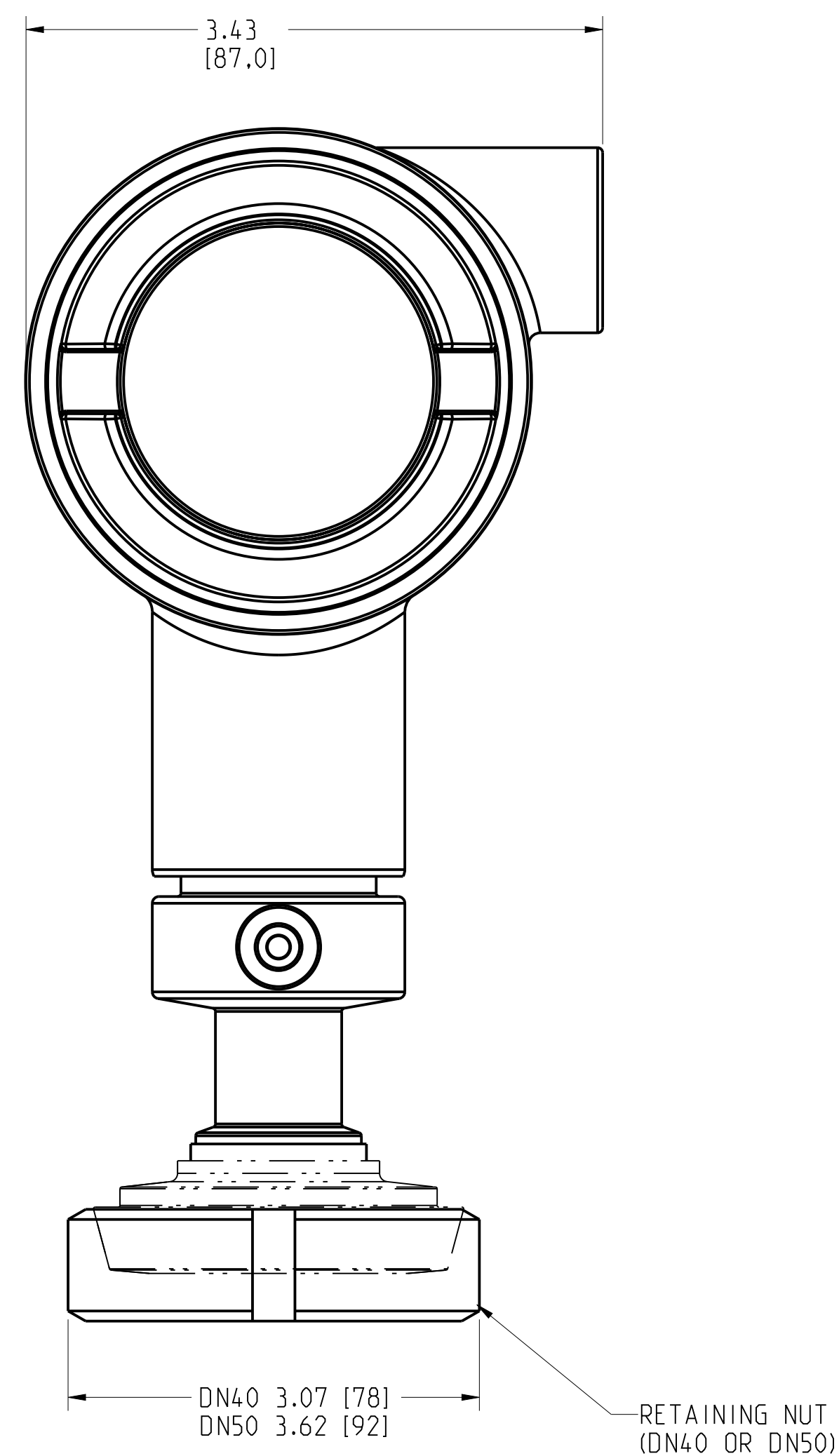
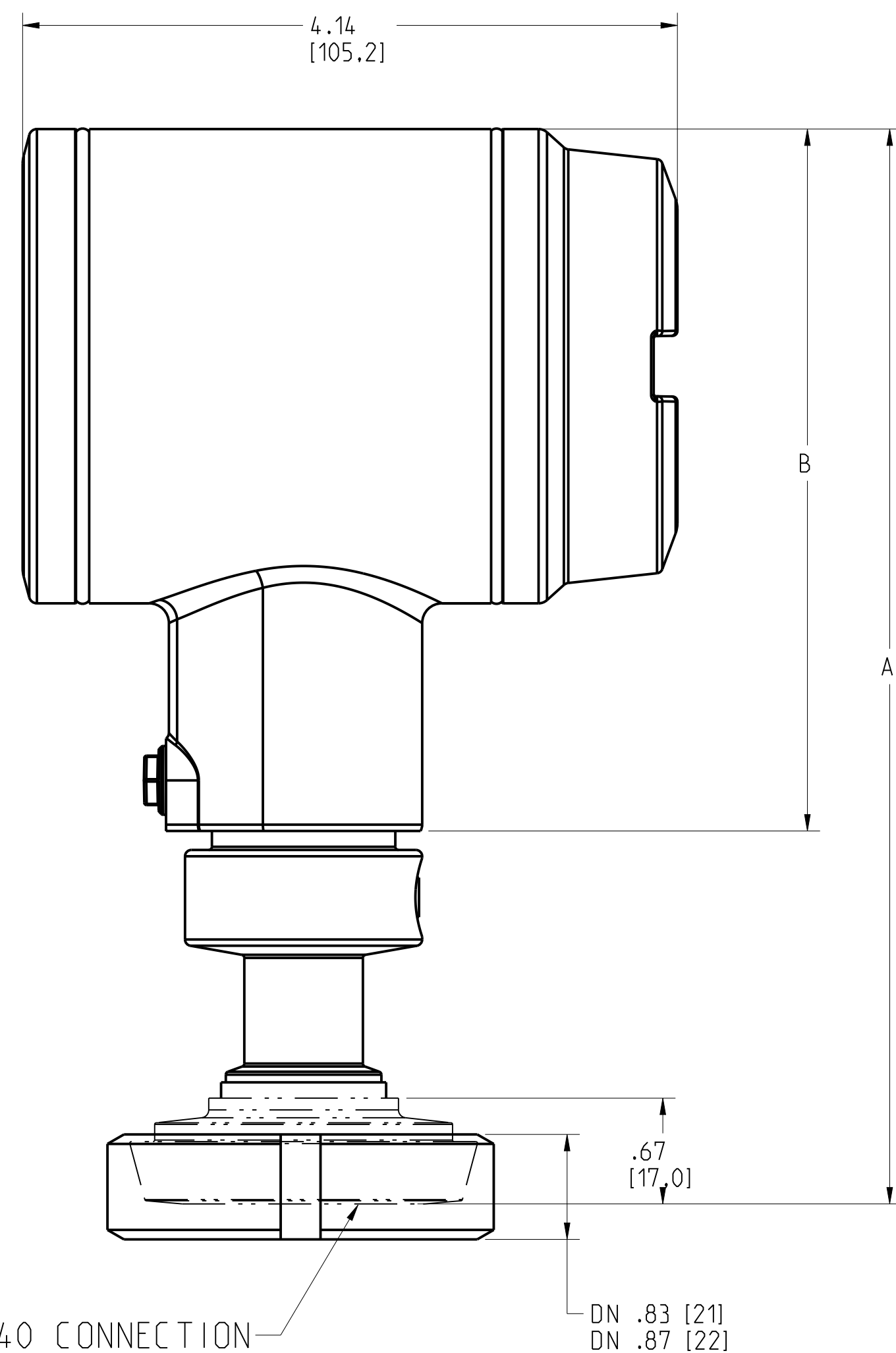


<small>©2015 ROSEMOUNT, INC. ROSEMOUNT INC. ACCEPTS THIS DRAWING AS THE ACCURATE REPRESENTATION OF THE PRODUCT AS SHOWN. ROSEMOUNT ENGINEERING SPECIFICATIONS. UNIT NOTES IN INCHES (mm). REFERENCE ROSEMOUNT PRODUCT SPECIFICATIONS FOR PRODUCT SPECIFICATIONS. CLICK HERE</small>	<small>3RD ANGLE</small> 	<small>SIZE</small> D	<small>SCALE</small> NTS
	TITLE ROSEMOUNT 2051HT TYPE I DRAWING		
	DR. J. ARMSTRONG 4/14/16 APP'D M. BARTH 4/18/16	DRAWING NO. 02051-7001	SHEET 3 OF 5

ROSEMOUNT 2051HT PRESSURE TRANSMITTER WITH SST HOUSING AND HYGIENIC CONNECTION

SHOWN WITH OPTIONAL DIGITAL DISPLAY AND
DIN 11851 DN40

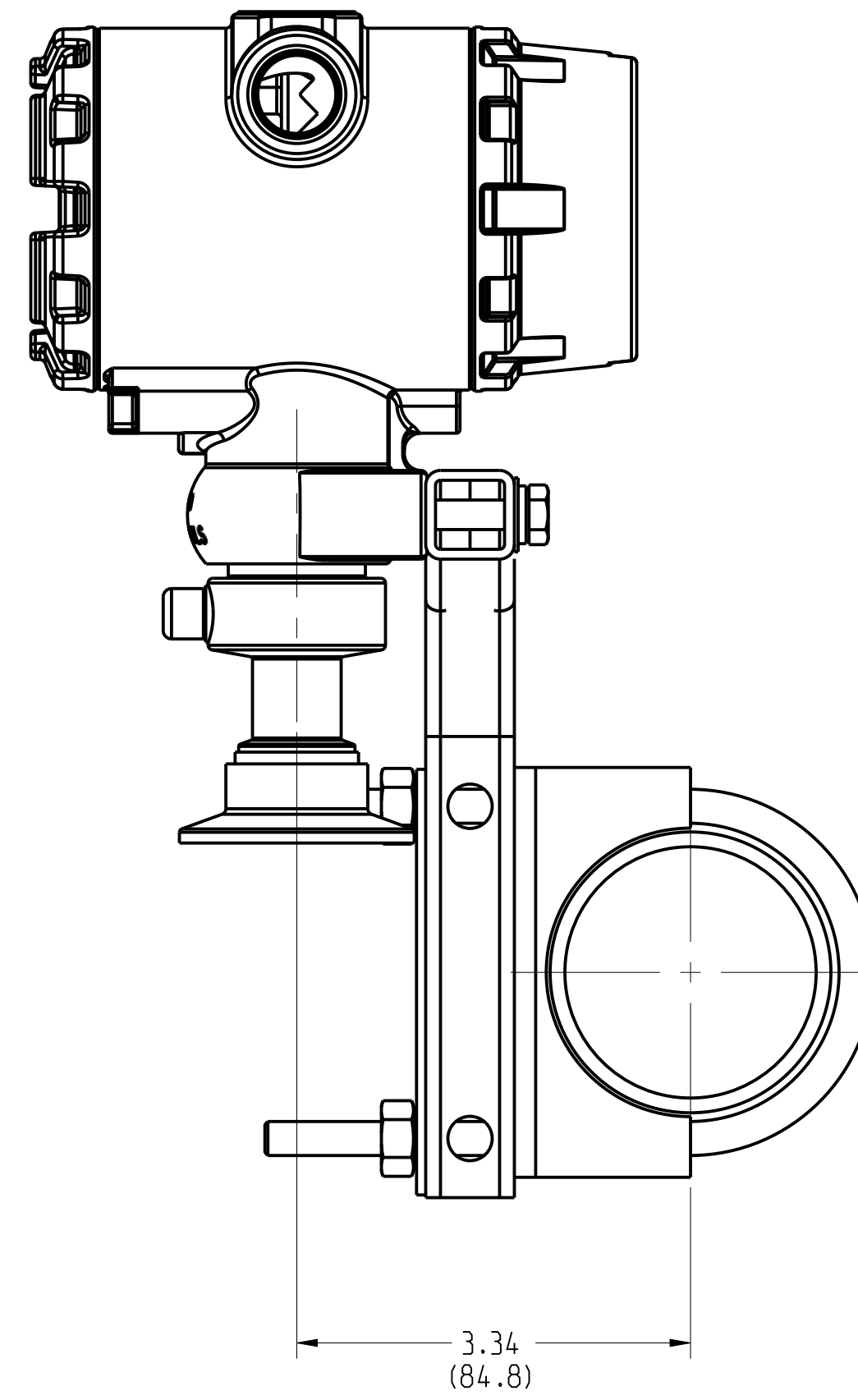
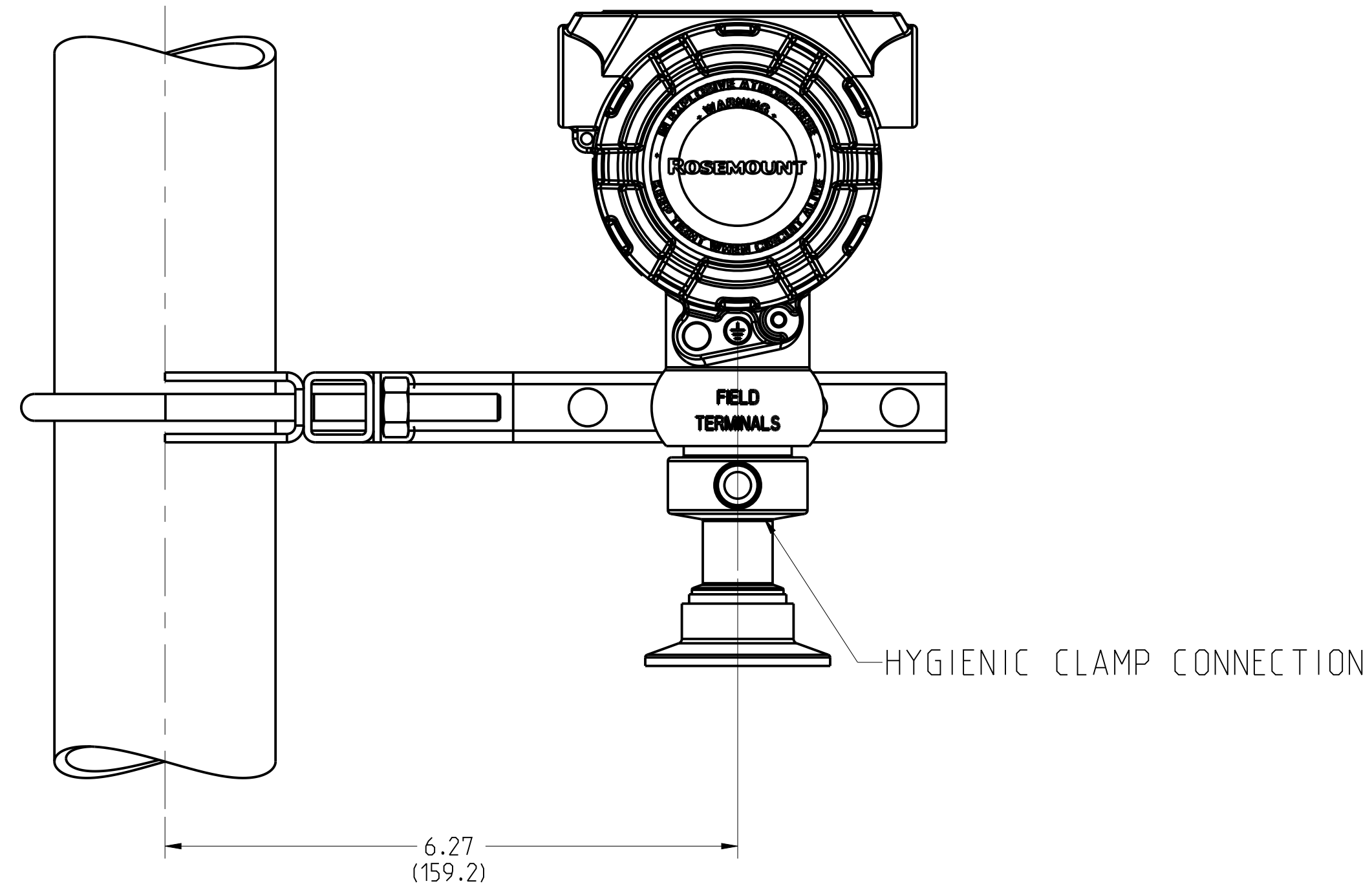
SHOWN WITHOUT OPTIONAL DIGITAL DISPLAY



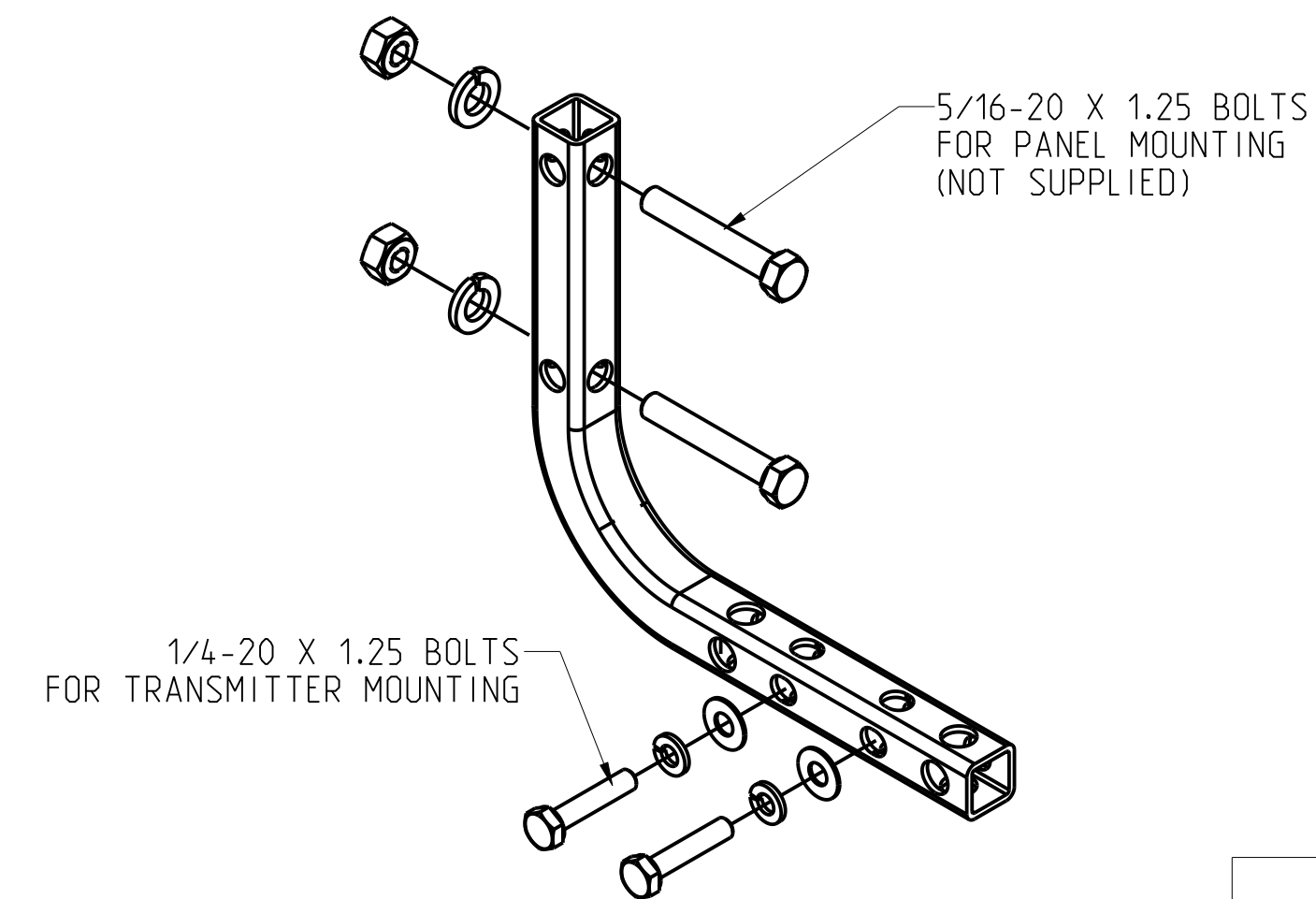
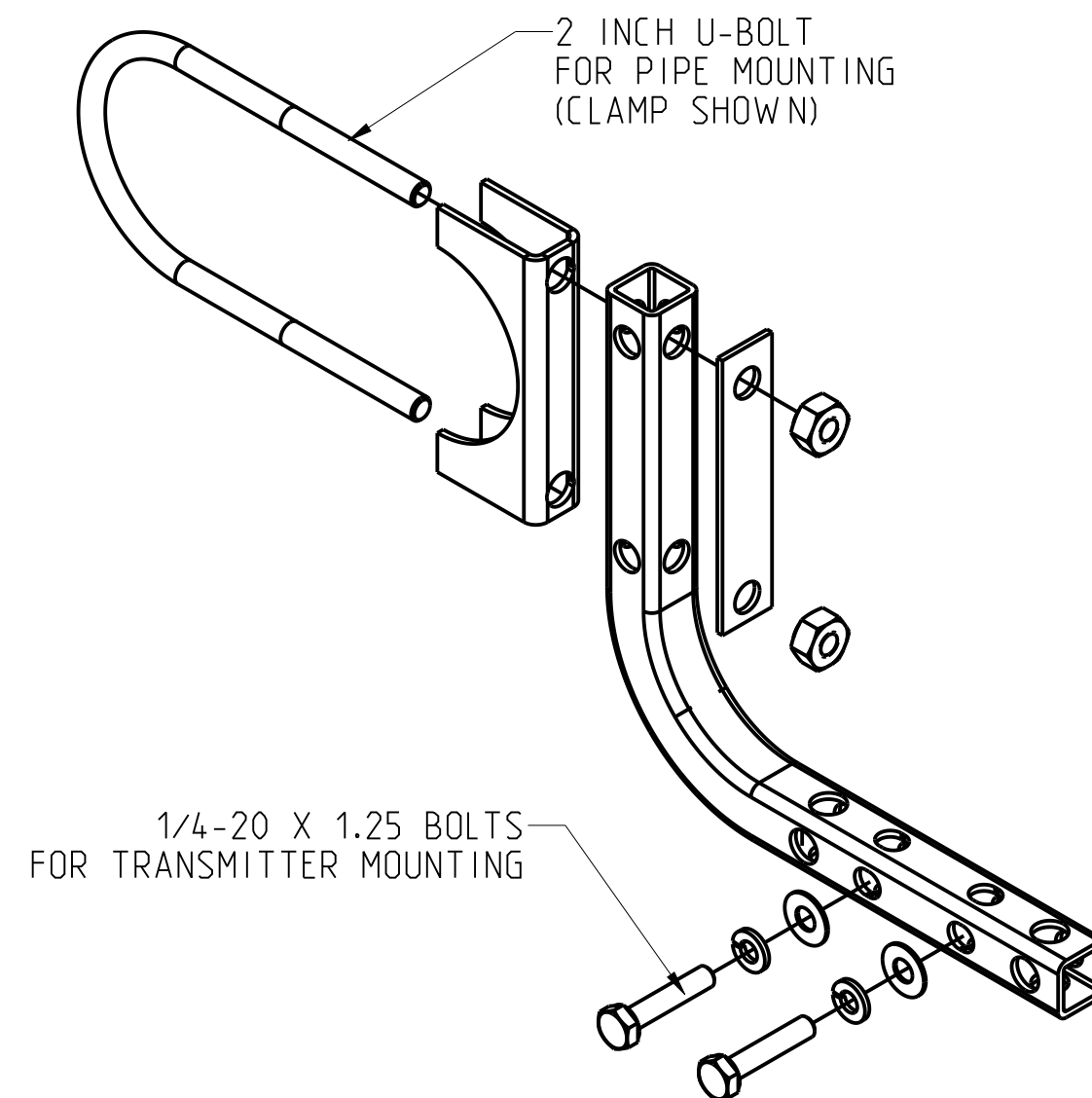
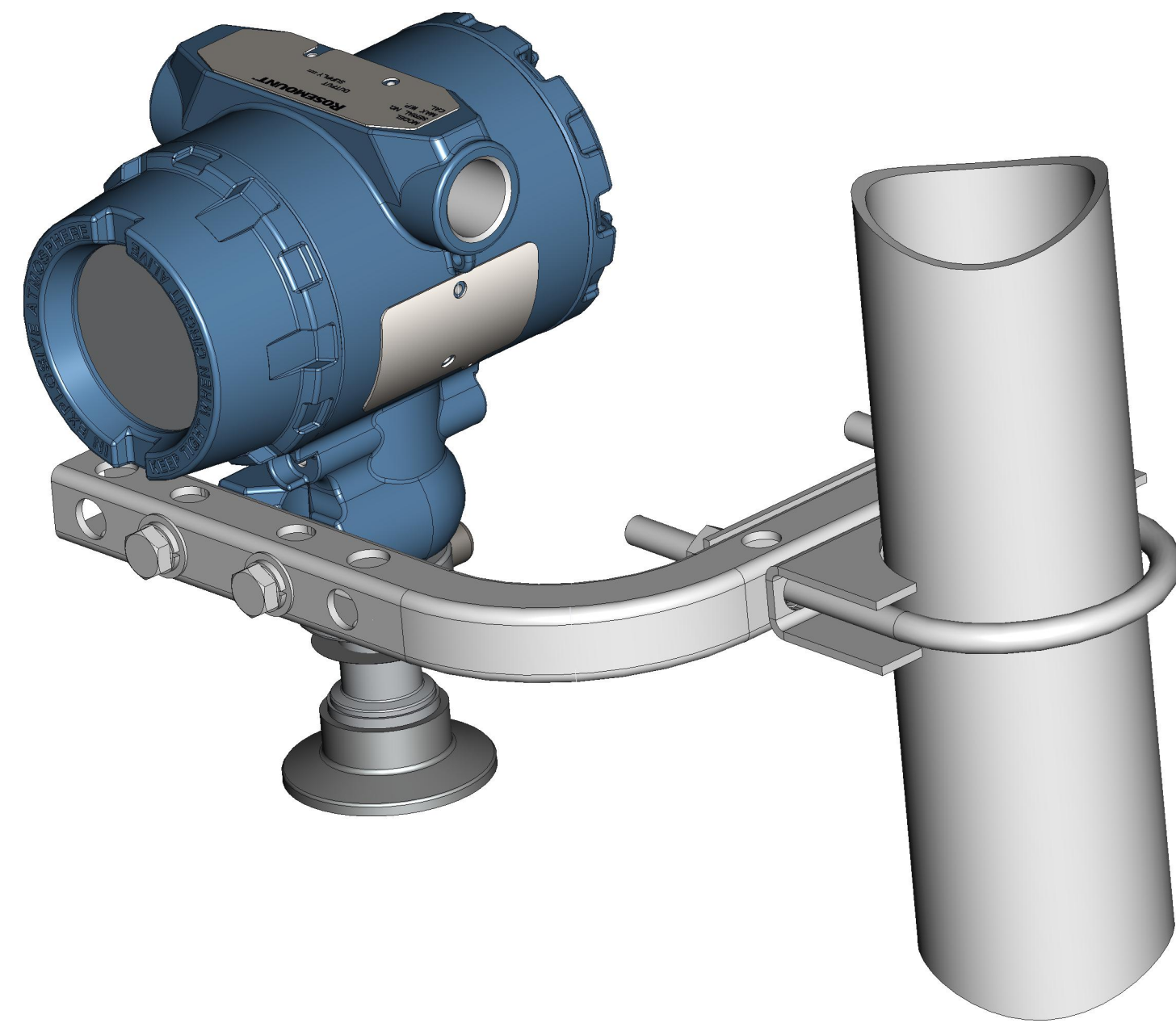
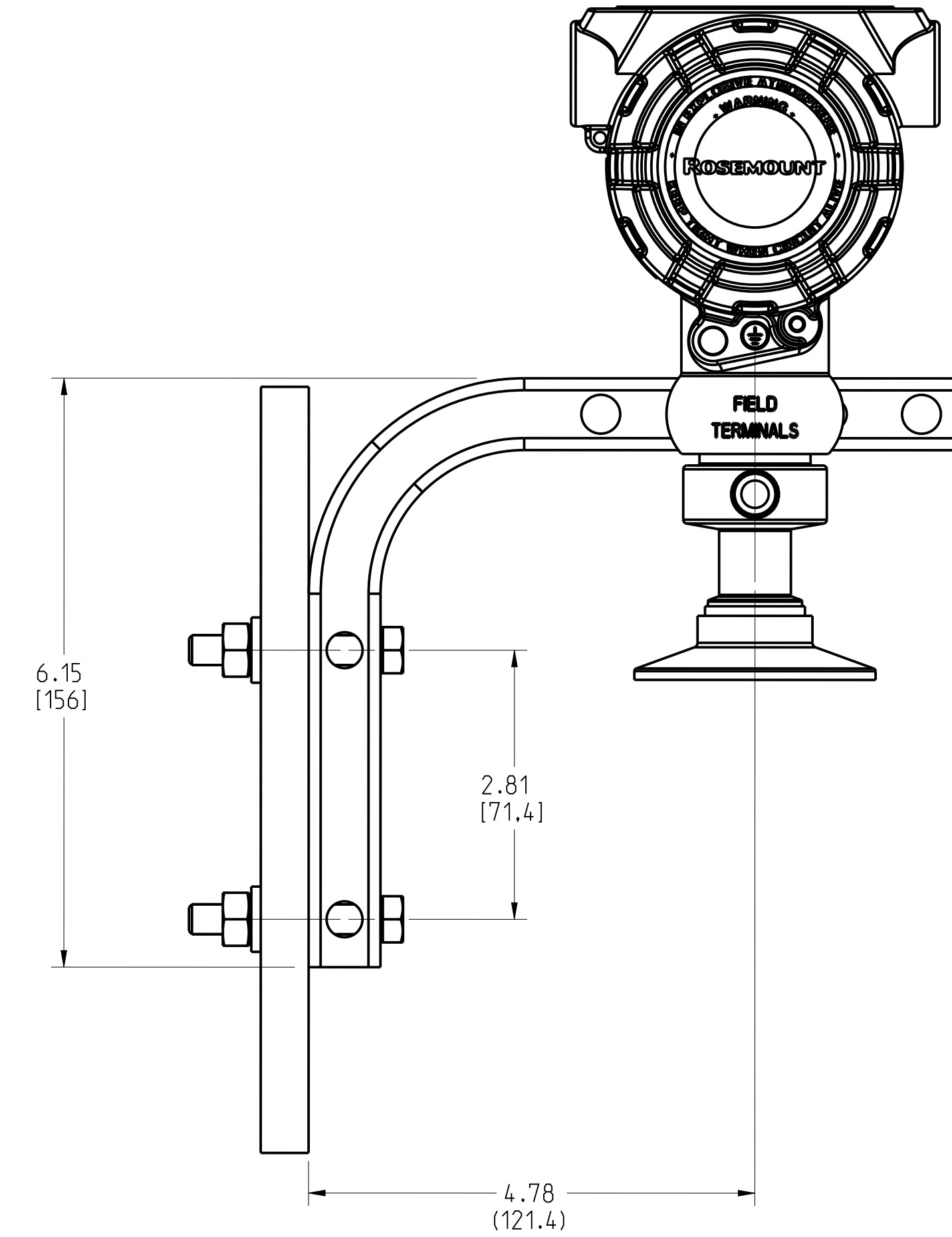
<small>©2015 ROSEMOUNT, INC. ROSEMOUNT INC. EXPRESSLY DISCLAIMS LIABILITY FOR THIS ACCORDANCE WITH ROSEMOUNT ENGINEERING SPECIFICATIONS. UNIT NOTES IN INCHES (mm). REFERENCE ROSEMOUNT PRODUCT SPECIFICATIONS FOR PRODUCT SPECIFICATIONS. CLICK HERE</small>	<small>3RD ANGLE</small> 	<small>SIZE</small> D	<small>SCALE</small> NTS
	TITLE ROSEMOUNT 2051HT TYPE I DRAWING		
	<small>DR.</small> J. ARMSTRONG <small>4/14/16</small>	<small>DRAWING NO.</small>	02051-7001
<small>APP'D</small> M. BARTH <small>4/18/16</small>	<small>CAD MAINTAINED (PRO/E)</small>		
<small>SHEET 4 OF 5</small>			

ROSEMOUNT 2051HT PRESSURE TRANSMITTER WITH ALUMINUM HOUSING AND OPTIONAL MOUNTING

PIPE MOUNTING



PANEL MOUNTING



©2015 ROSEMOUNT, INC.
ROSEMOUNT INCORPORATES
THIS INFORMATION IN
THIS DOCUMENT IN ACCORDANCE WITH
ROSEMOUNT ENGINEERING
SPECIFICATIONS.
UNIT NOTES IN INCHES (mm).

REFERENCE ROSEMOUNT
PRODUCT SHEETS FOR
PRODUCT SPECIFICATIONS.
CLICK HERE

3RD ANGLE

EMERSON

TITLE
ROSEMOUNT 2051HT
TYPE I DRAWING

DR. J. ARMSTRONG 4/14/16 DRAWING NO.
APP'D M. BARTH 4/18/16

02051-7001

CAD MAINTAINED (PRO/EI) SHEET 5 OF 5