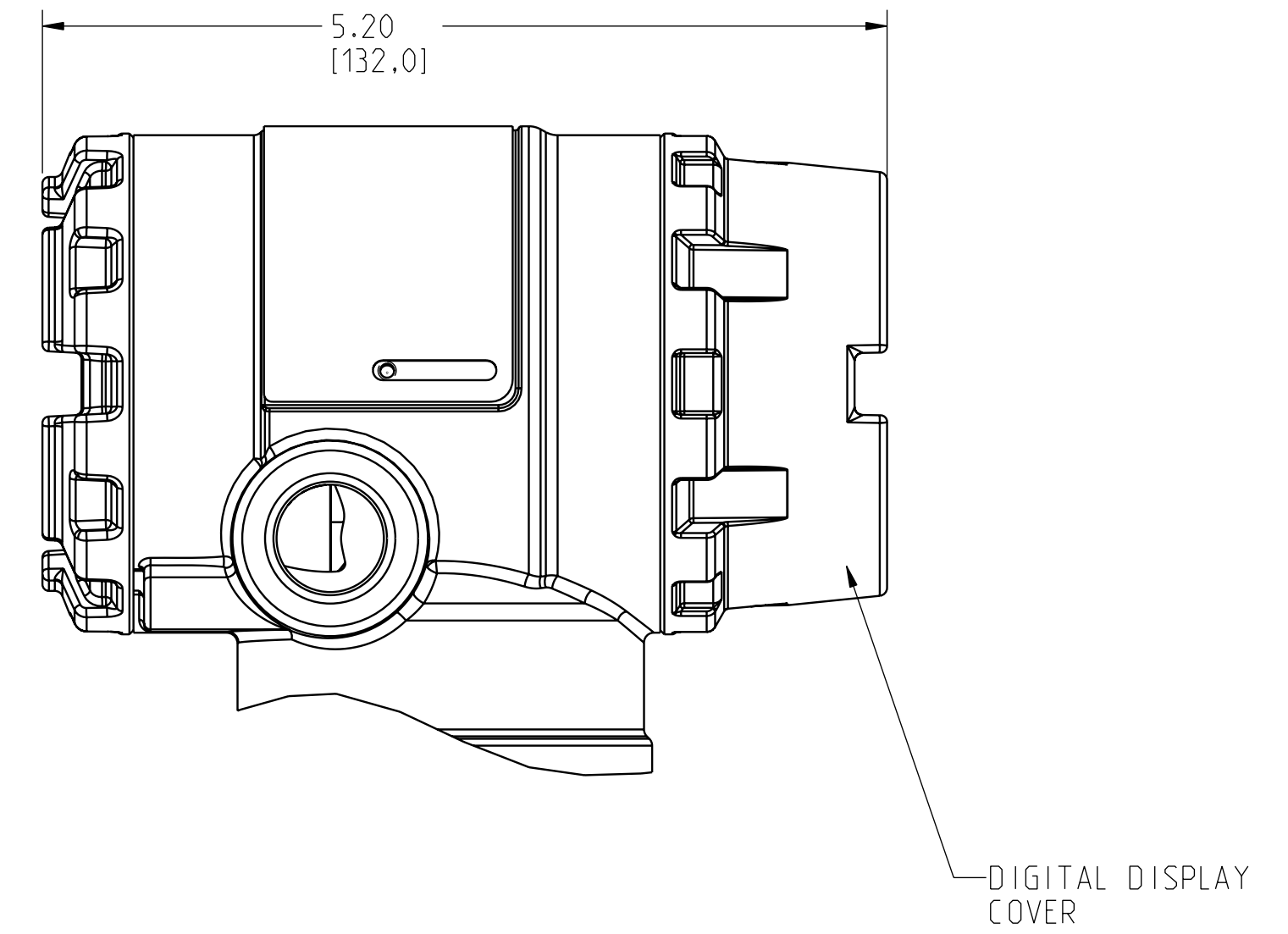
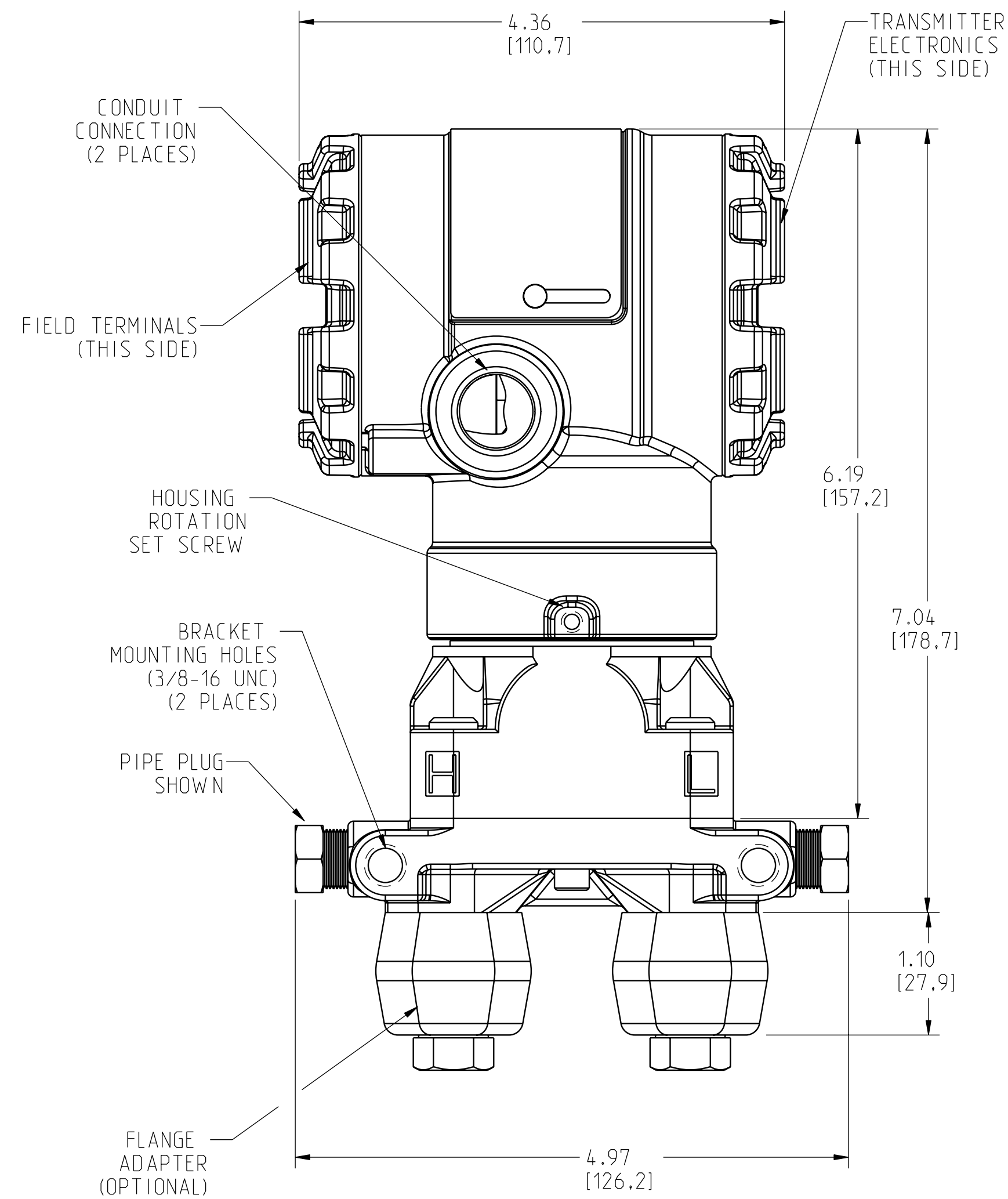
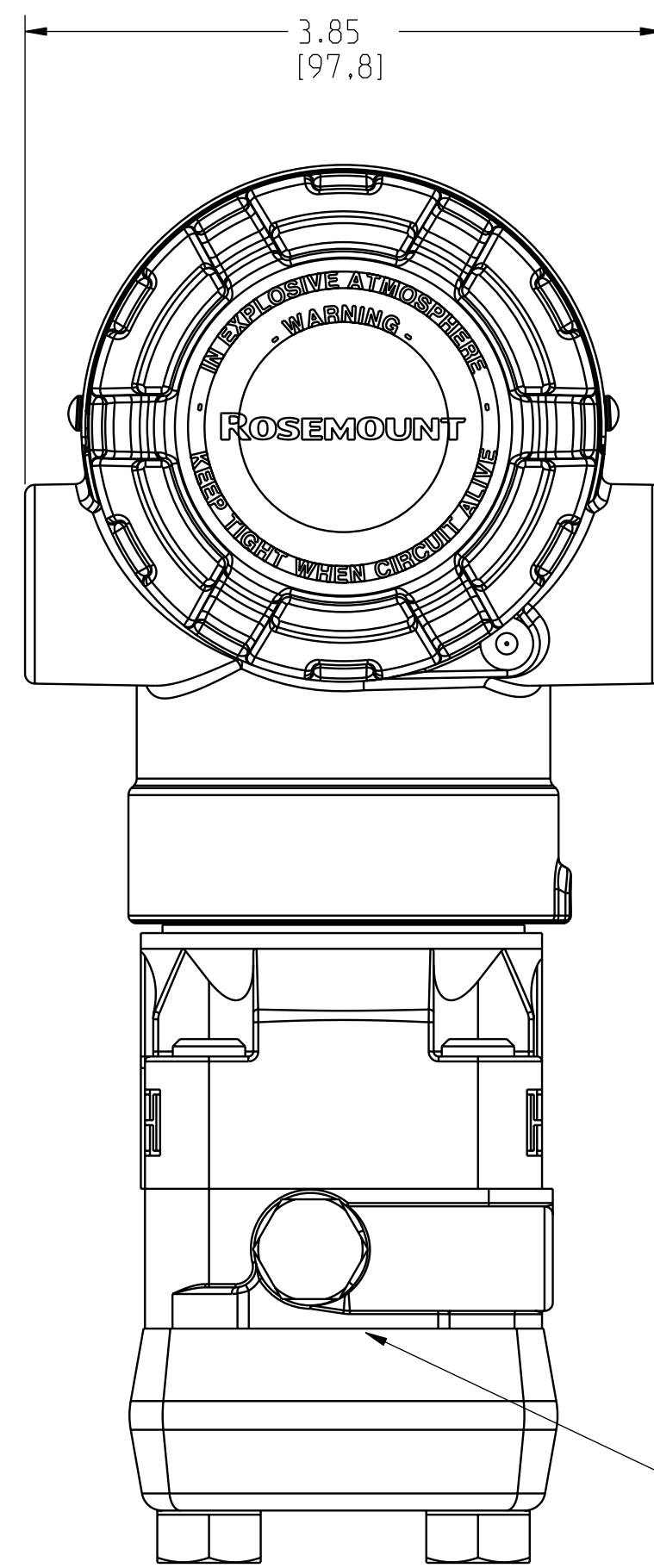


ROSEMOUNT 2051C COPLANAR PRESSURE TRANSMITTER
COPLANAR FLANGE PROCESS CONNECTION

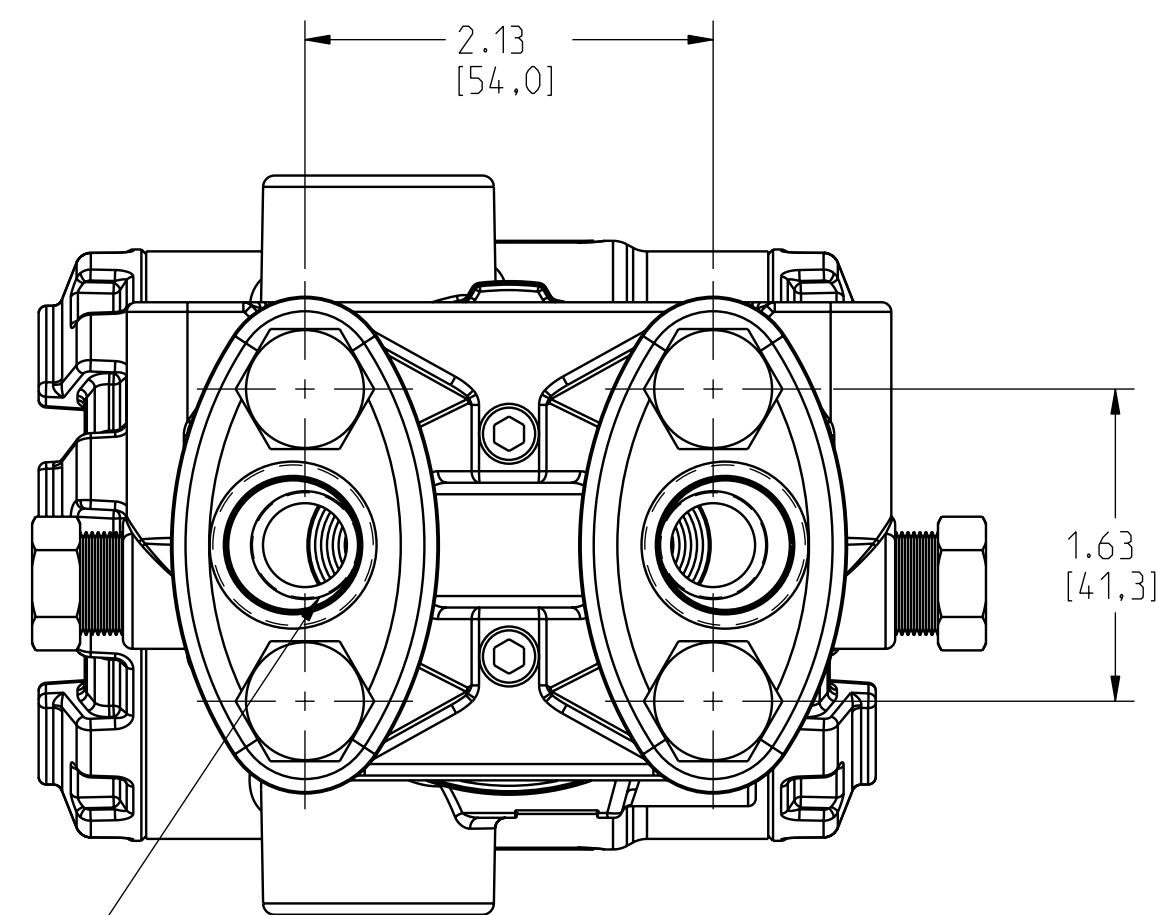
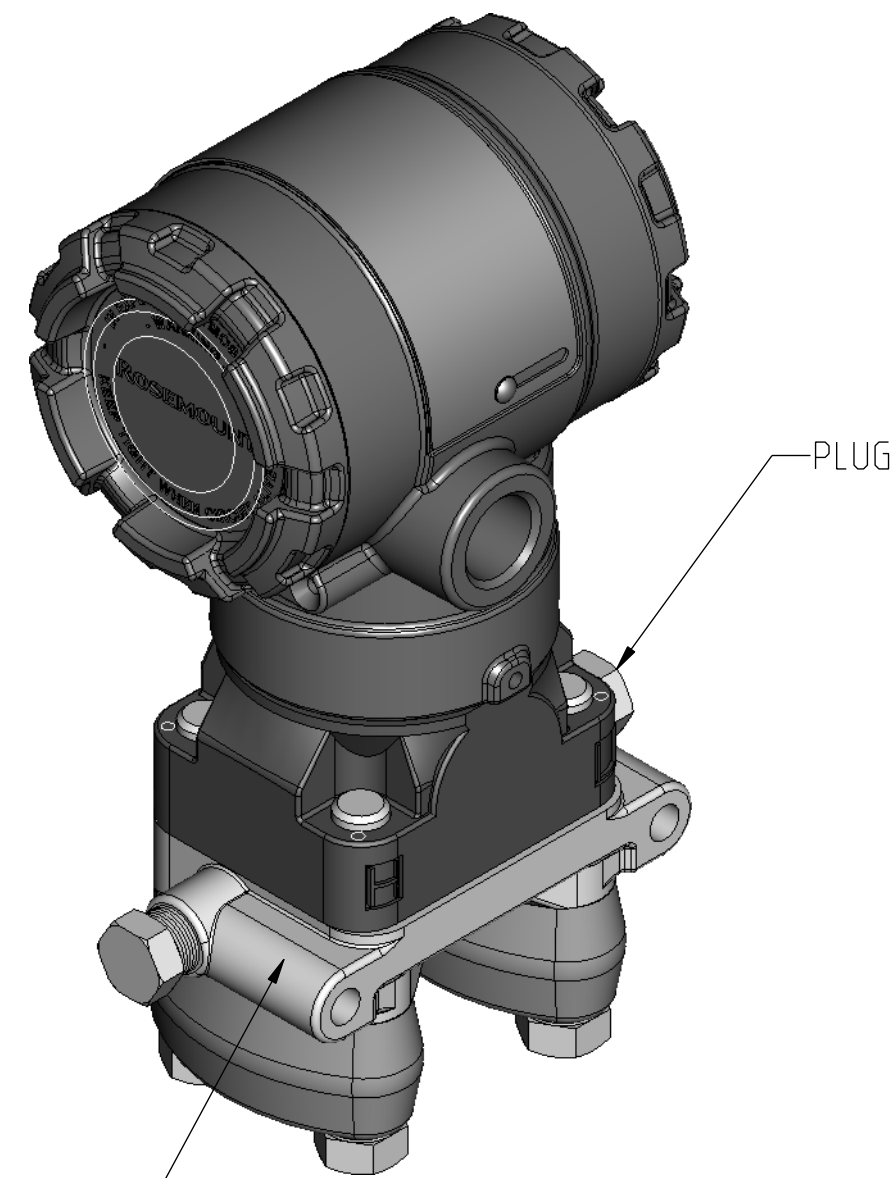
REVISION TABLE			
REVISION	ECO NO.	APP'D	DATE
AF	RTC1076375	C.OBERLE	12/18/20
DESCRIPTION			
ADD WIRELESS SPACER TO TRANSMITTER HS OPTION			

OUTPUT CODE (A) AND (M) AND (F) AND (W)
 ALUMINUM/SST HOUSING

SHOWN WITH OPTIONAL DIGITAL DISPLAY



COPLANAR FLANGE
 PROCESS CONNECTION
 PER IEC 61518
 2.125 (54)
 CONNECTION CENTERS



1/4-18 NPT PROCESS CONNECTION
 OR 1/2-14 NPT WITH OPTIONAL FLANGE
 ADAPTERS. ADAPTERS CAN BE ROTATED
 TO GIVE CONNECTIONS CENTERS OF
 2.00 (51), 2.125 (54), OR 2.25 (57)

©2015 ROSEMOUNT INC.
 ROSEMOUNT INC. RESERVES
 THE RIGHT TO MAKE CHANGES IN
 THIS DRAWING WITHOUT NOTICE.
 THIS DRAWING IS THE PROPERTY OF
 ROSEMOUNT ENGINEERING.
 SPECIFICATIONS.
 UNIT NOTES IN INCHES (mm).

REFERENCE ROSEMOUNT
 PRODUCT SHEETS FOR
 PRODUCT SPECIFICATIONS.
 CLICK HERE

3RD ANGLE

EMERSON

TITLE ROSEMOUNT 2051C COPLANAR
 TYPE I DRAWING

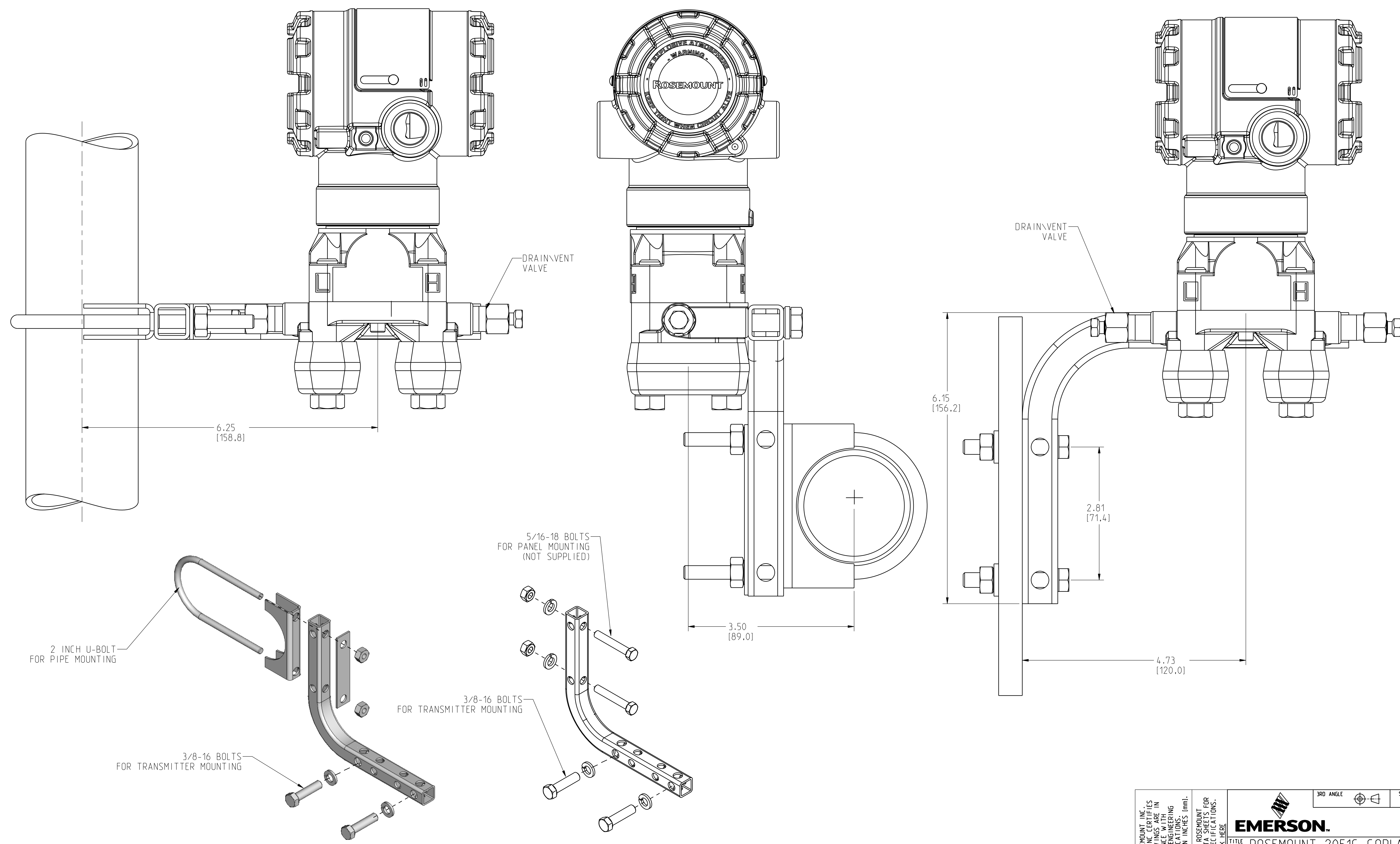
DR. J. ARMSTRONG | 11/30/16 | DRAWING NO. | 02051-7710
 APP'D N. MEIDL | 11/30/16 |

CAD MAINTAINED. (PRO/E) SHEET 1 OF 10

ROSEMOUNT 2051C COPLANAR PRESSURE TRANSMITTER
 COPLANAR FLANGE PROCESS CONNECTION

PIPE MOUNTING

PANEL MOUNTING



©2015 ROSEMOUNT INC.
 ROSEMOUNT INC. EXPRESSLY
 DISCLAIMS LIABILITY FOR
 THIS DOCUMENT AND ASSUMES NO
 LIABILITY IN CONNECTION WITH
 THIS DOCUMENT. ROSEMOUNT
 ENGINEERING SPECIFICATIONS.
 UNIT NOTES IN INCHES (mm).

REFERENCE ROSEMOUNT
 PRODUCT SPECIFICATIONS FOR
 PRODUCT SPECIFICATIONS.
 CLICK HERE

3RD ANGLE

EMERSON

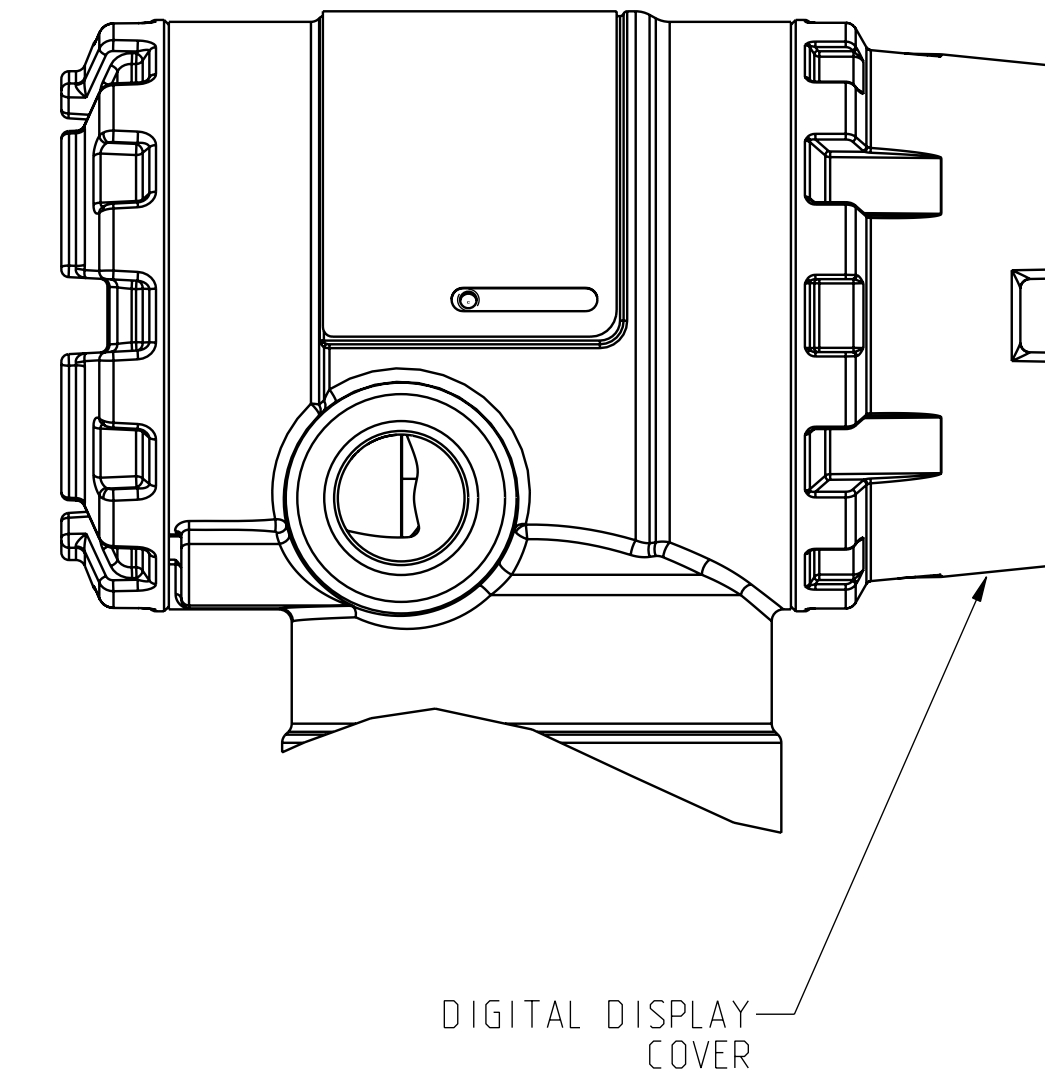
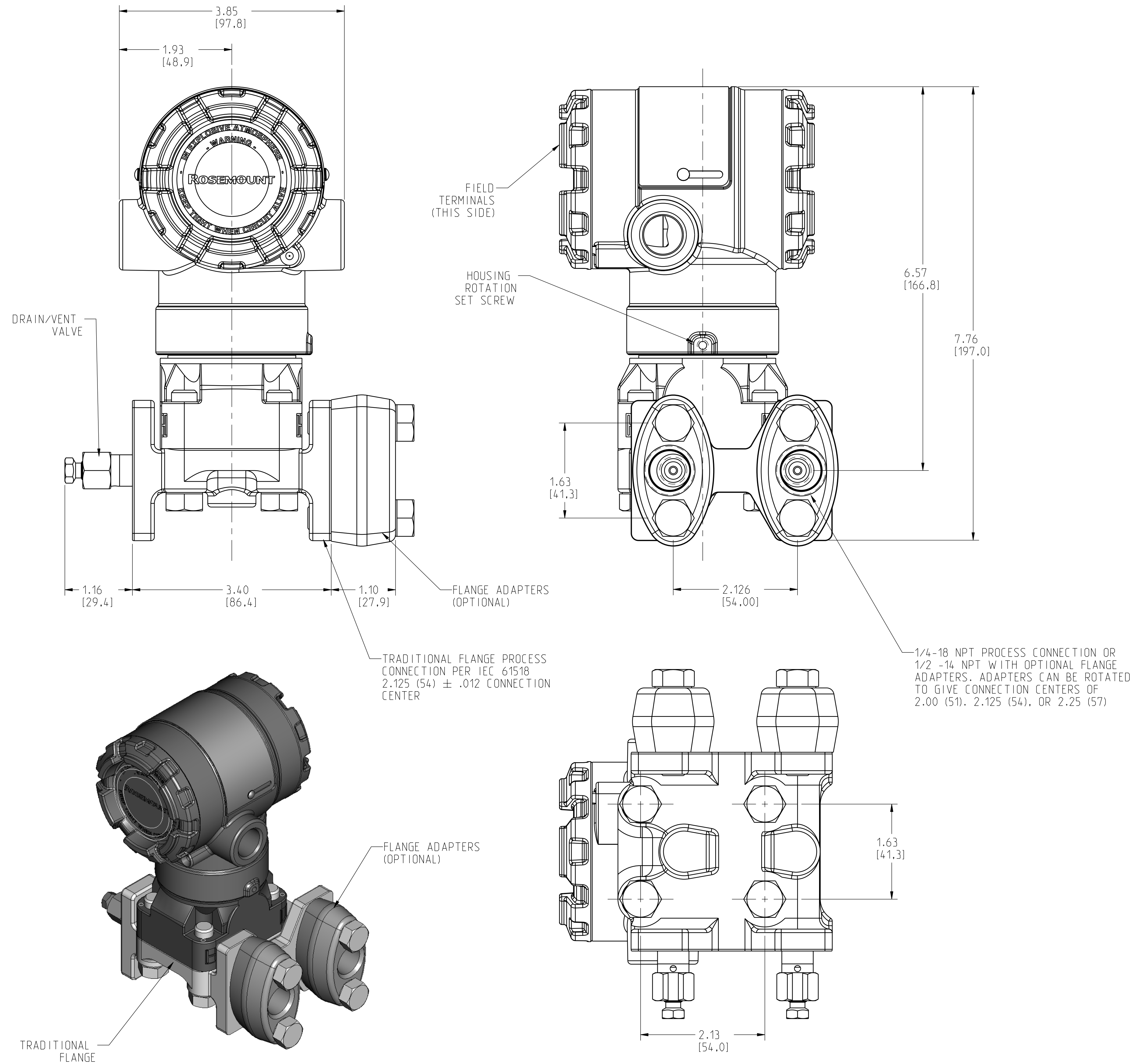
TITLE ROSEMOUNT 2051C COPLANAR
 TYPE I DRAWING

DR. J. ARMSTRONG | 11/30/16 | DRAWING NO. 02051-7710
 APP'D N. MEIDL | 11/30/16 |
 CAD MAINTAINED (PRO/E) SHEET 2 OF 10

ROSEMOUNT 2051C COPLANAR PRESSURE TRANSMITTER
TRADITIONAL FLANGE PROCESS CONNECTION

OUTPUT CODE (A) AND (M) AND (F)
ALUMINUM/SST HOUSING

SHOWN WITH OPTIONAL DIGITAL DISPLAY



©2015 ROSEMOUNT INC. ROSEMOUNT INC. EXERCISES ALL RIGHTS RESERVED. THIS DOCUMENT IS UNCONTROLLED WHEN REPRODUCED WITHOUT THE ACCORDANCE WITH ROSEMOUNT ENGINEERING SPECIFICATIONS. UNIT NOTES IN INCHES (mm).

REFERENCE ROSEMOUNT PRODUCT SPECIFICATIONS FOR PRODUCT SPECIFICATIONS. CLICK HERE

EMERSON

TITLE ROSEMOUNT 2051C COPLANAR TYPE I DRAWING

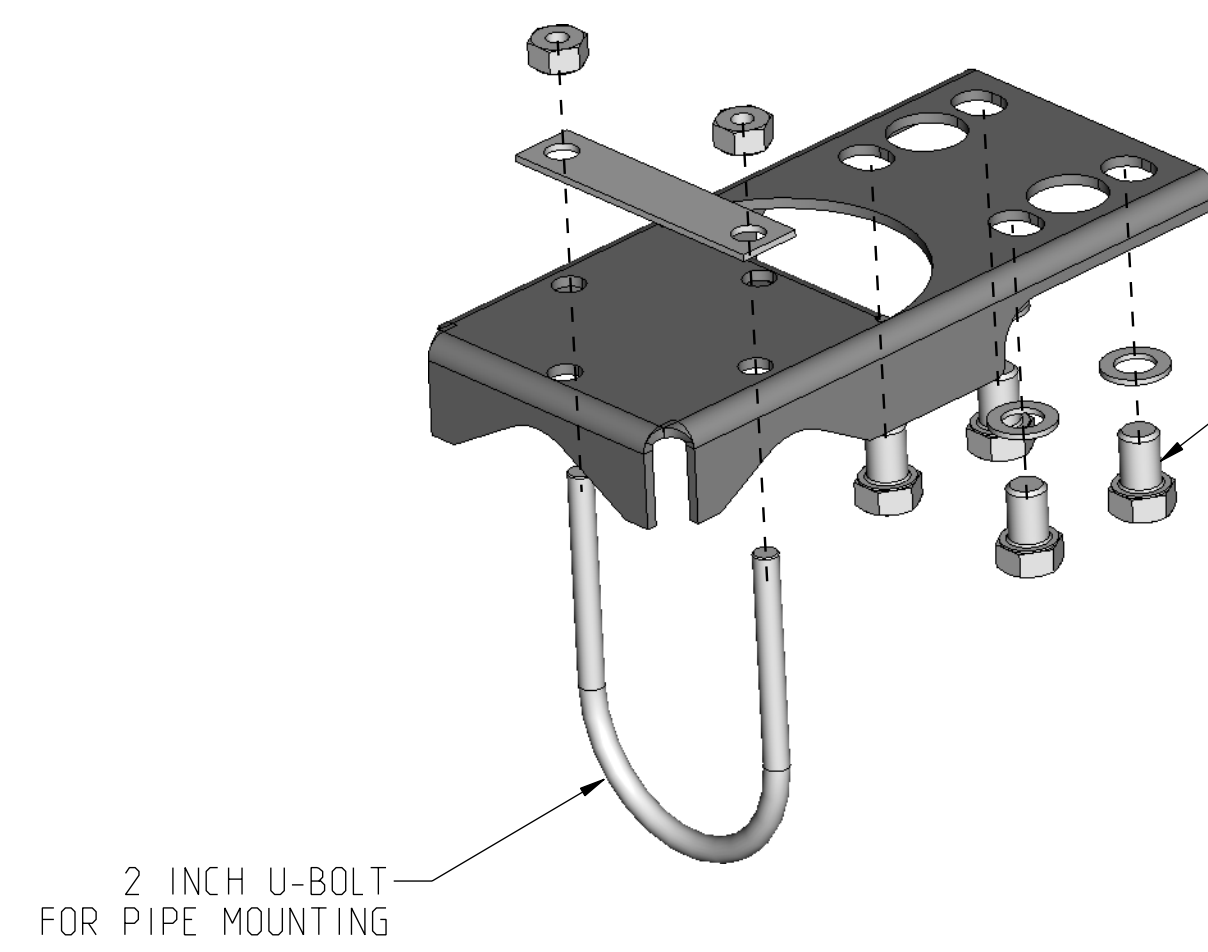
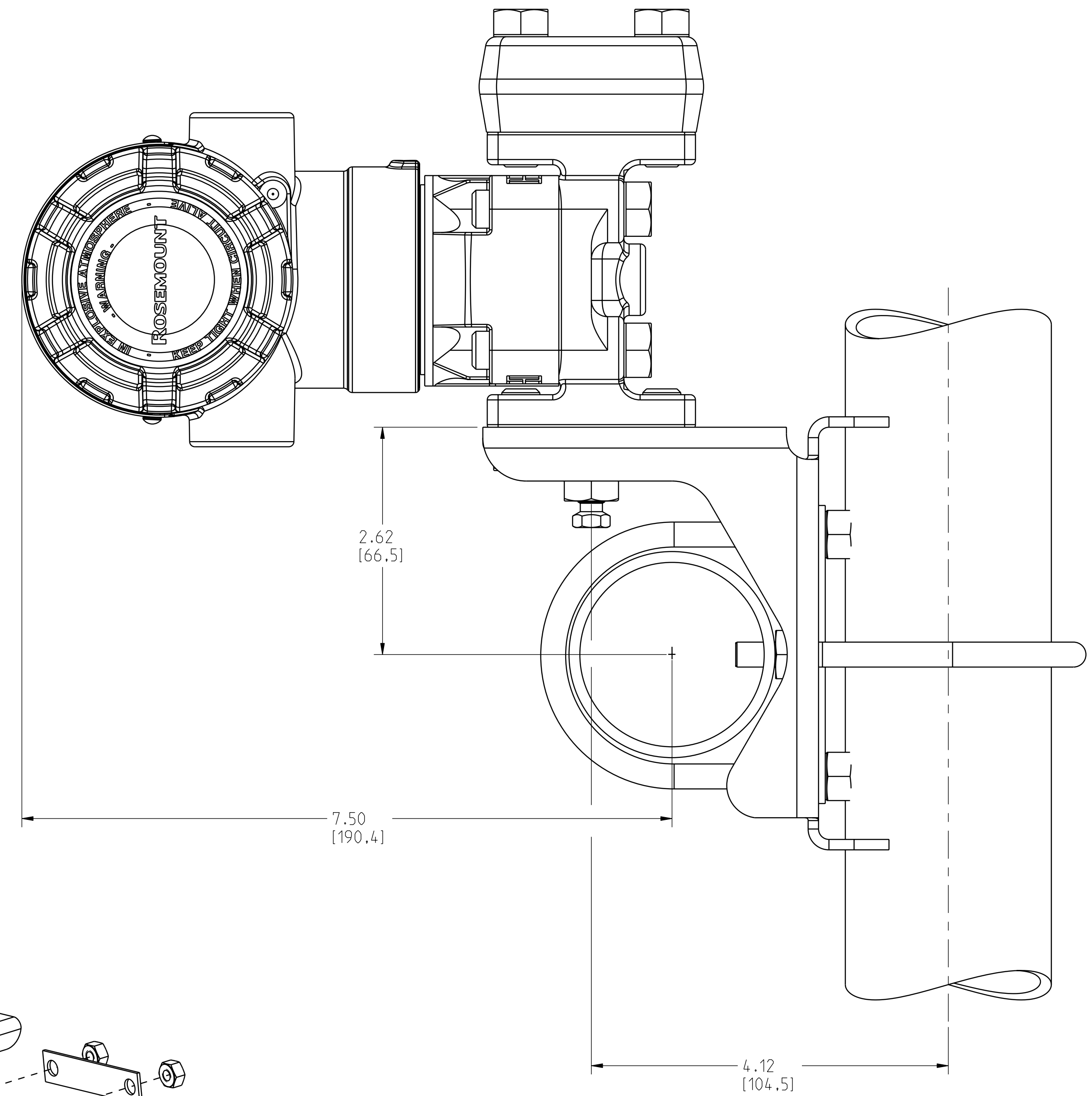
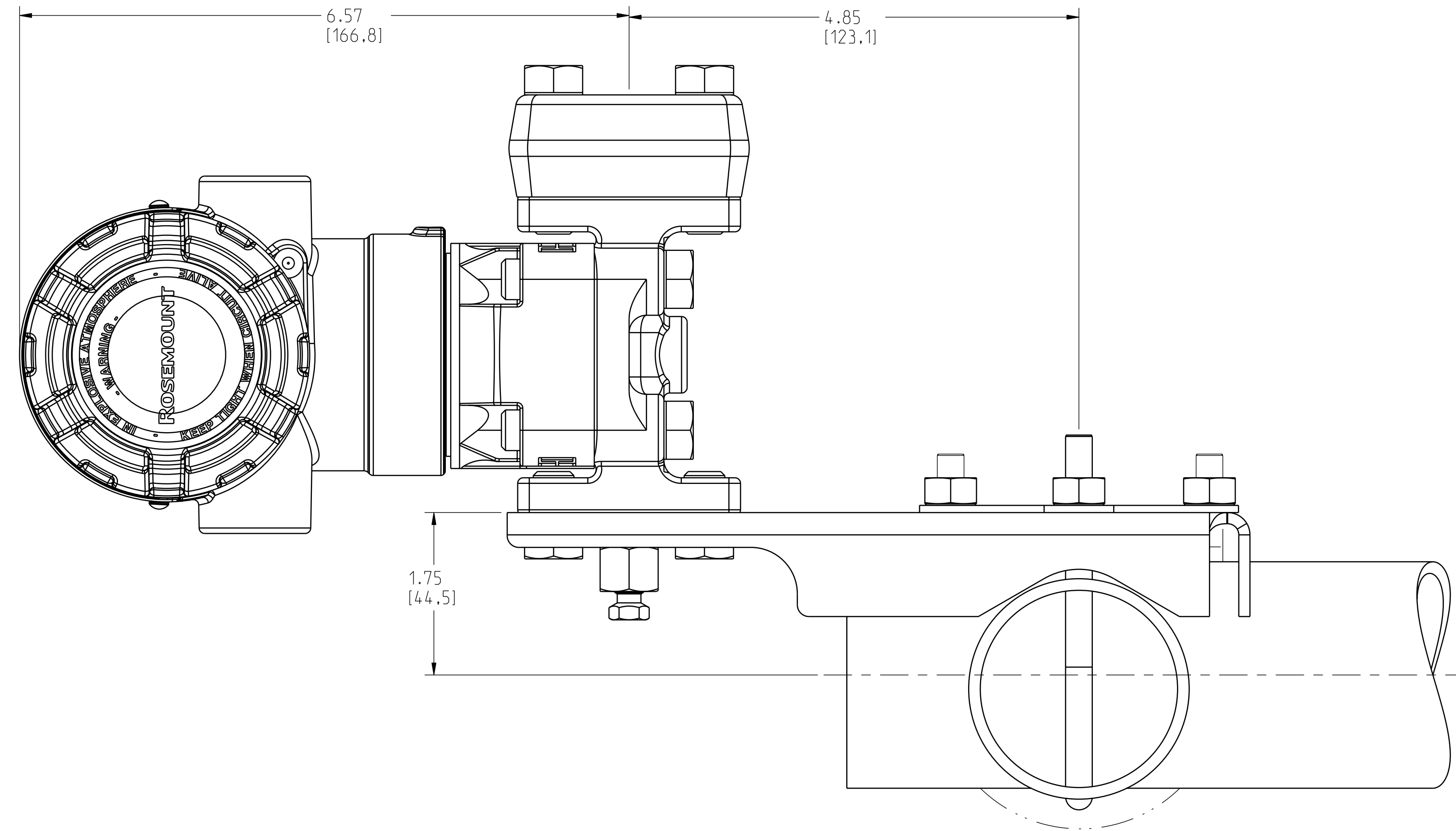
DR. J. ARMSTRONG | 11/30/16 | DRAWING NO. 02051-7710

APP'D N. MEIDL | 11/30/16

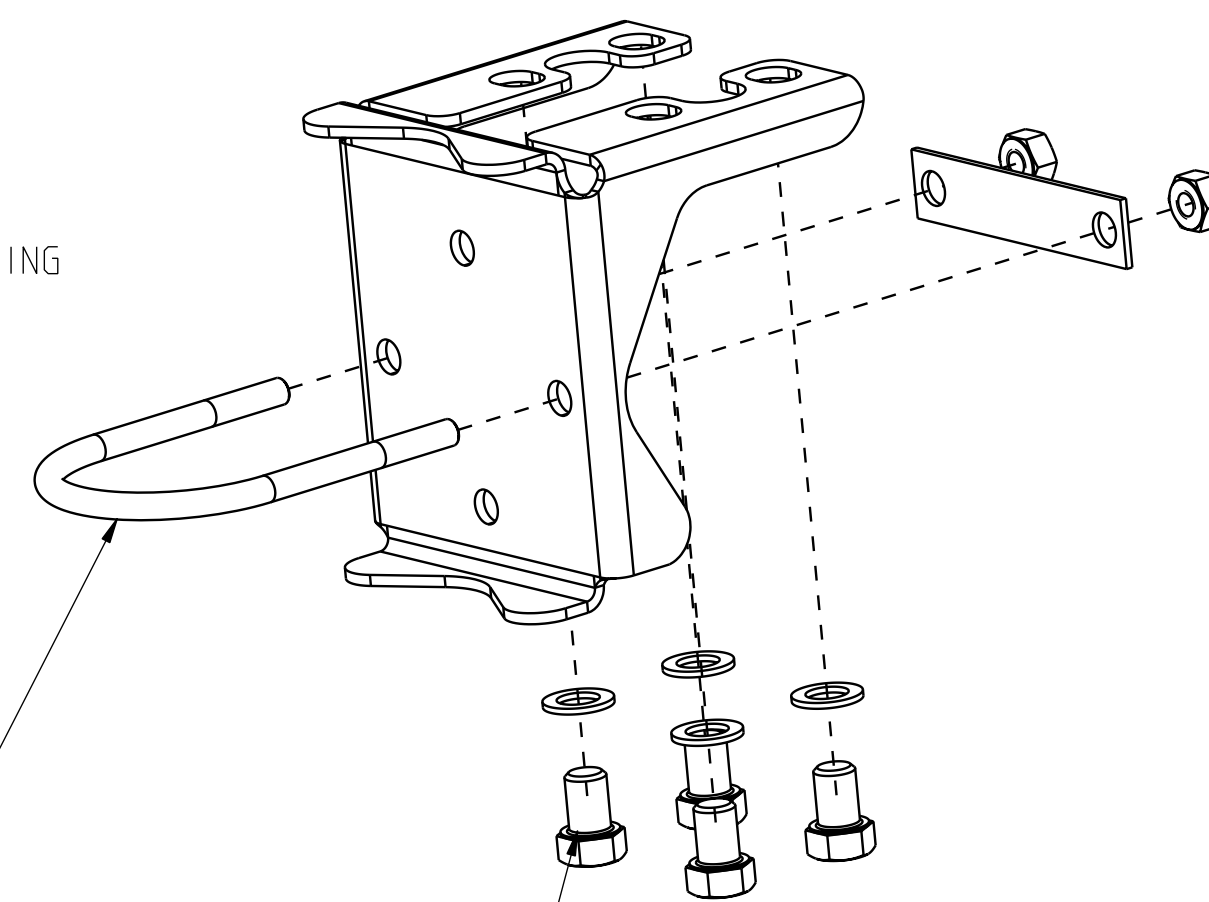
CAD MAINTAINED (PRO/E) SHEET 3 OF 10

ROSEMOUNT 2051C COPLANAR PRESSURE TRANSMITTER
TRADITIONAL FLANGE MOUNTING CONFIGURATIONS

PIPE MOUNTING



7/16-20 x 5/8 BOLTS FOR TRANSMITTER MOUNTING



7/16-20 x 5/8 BOLTS FOR TRANSMITTER MOUNTING

©2015 ROSEMOUNT INC. ROSEMOUNT INC. RESERVES ALL RIGHTS IN THIS DOCUMENT. THIS DOCUMENT IS UNCONTROLLED WHEN USED OUTSIDE THE PROJECT TO WHICH IT APPLIES. REFER TO THE PROJECT FOR THE LATEST REVISIONS. UNIT NOTES IN INCHES (mm).

EMERSON

TITLE ROSEMOUNT 2051C COPLANAR TYPE I DRAWING

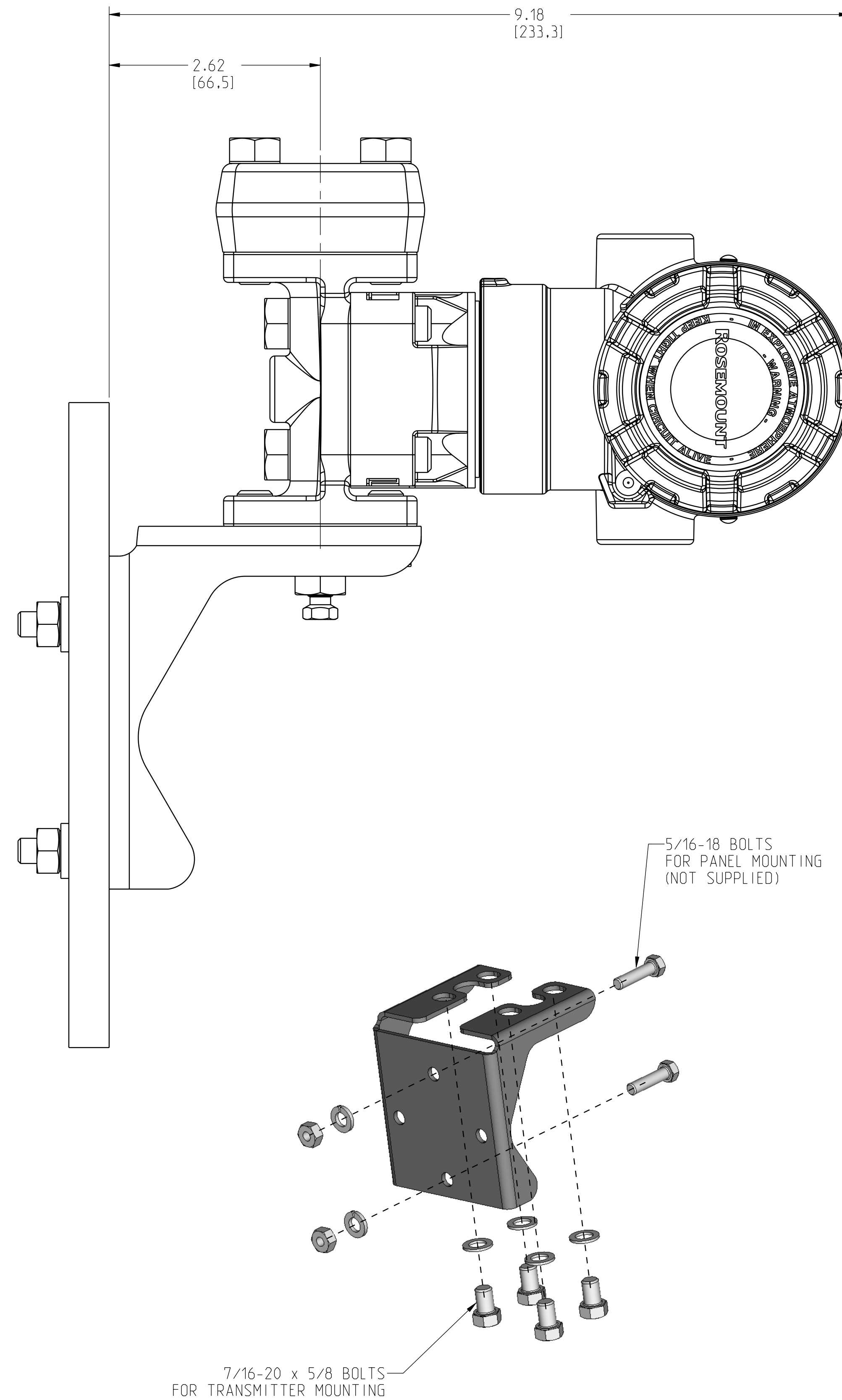
DR. J. ARMSTRONG | 11/30/16 | DRAWING NO. 02051-7710

APP'D N. MEIDL | 11/30/16

CAD MAINTAINED. (PRO/E) SHEET 4 OF 10

ROSEMOUNT 2051C COPLANAR PRESSURE TRANSMITTER
TRADITIONAL FLANGE MOUNTING CONFIGURATIONS

PANEL MOUNTING



©2015 ROSEMOUNT INC. ROSEMOUNT INC. RESERVES THE RIGHT TO MAKE CHANGES WITHOUT NOTICE. THIS DRAWING IS THE PROPERTY OF ROSEMOUNT INC. AND IS TO BE USED ONLY FOR THE PROJECT AND SPECIFICATIONS STATED HEREON. UNLESS OTHERWISE SPECIFIED, ALL DIMENSIONS ARE IN INCHES (MILLIMETERS).

REFERENCE ROSEMOUNT PRODUCT SPECIFICATIONS FOR PRODUCT SPECIFICATIONS. CLICK HERE

3RD ANGLE

EMERSON

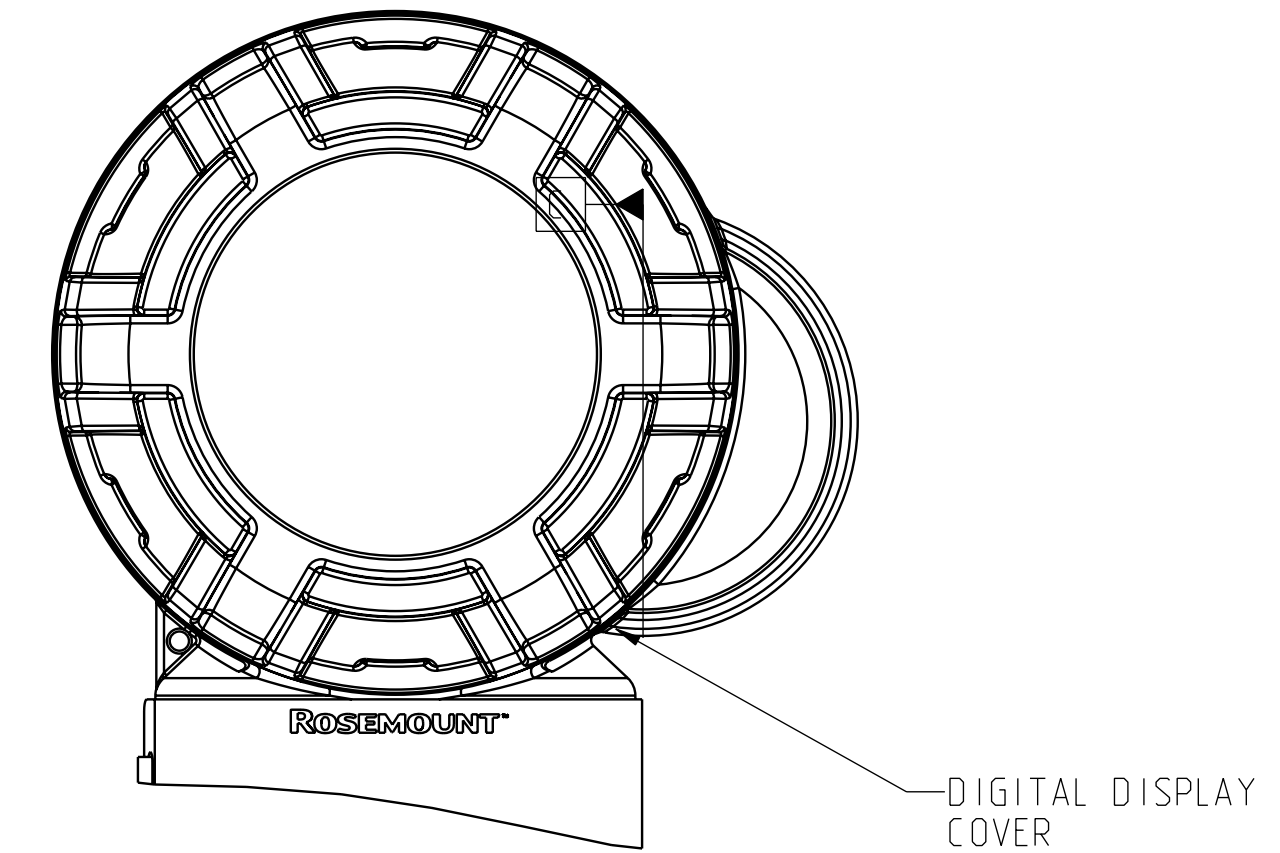
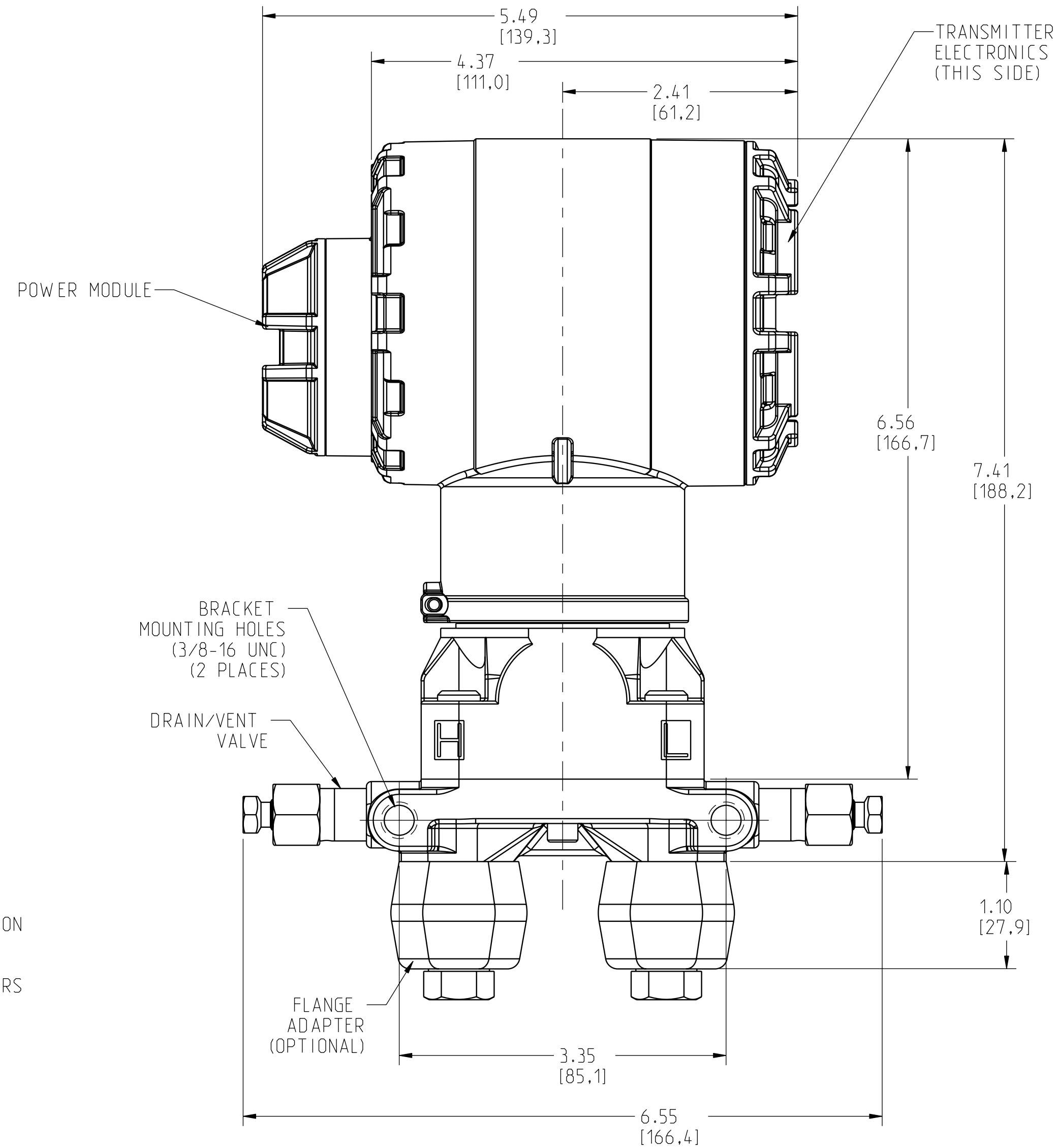
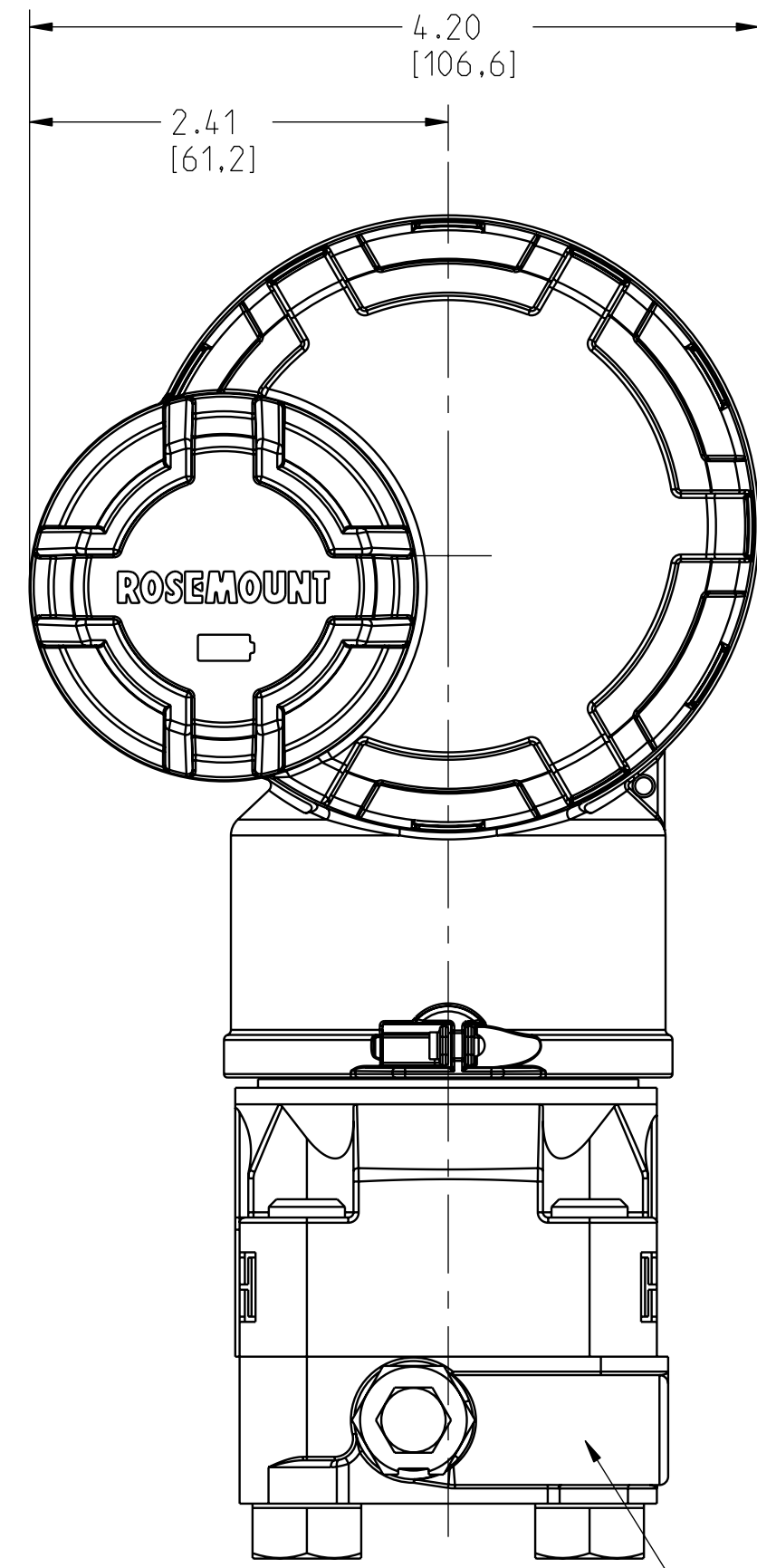
TITLE ROSEMOUNT 2051C COPLANAR TYPE I DRAWING

DR. J. ARMSTRONG	11/30/16	DRAWING NO.	02051-7710
APP'D N. MEIDL	11/30/16		
CAD MAINTAINED (PRO/E)			SHEET 5 OF 10

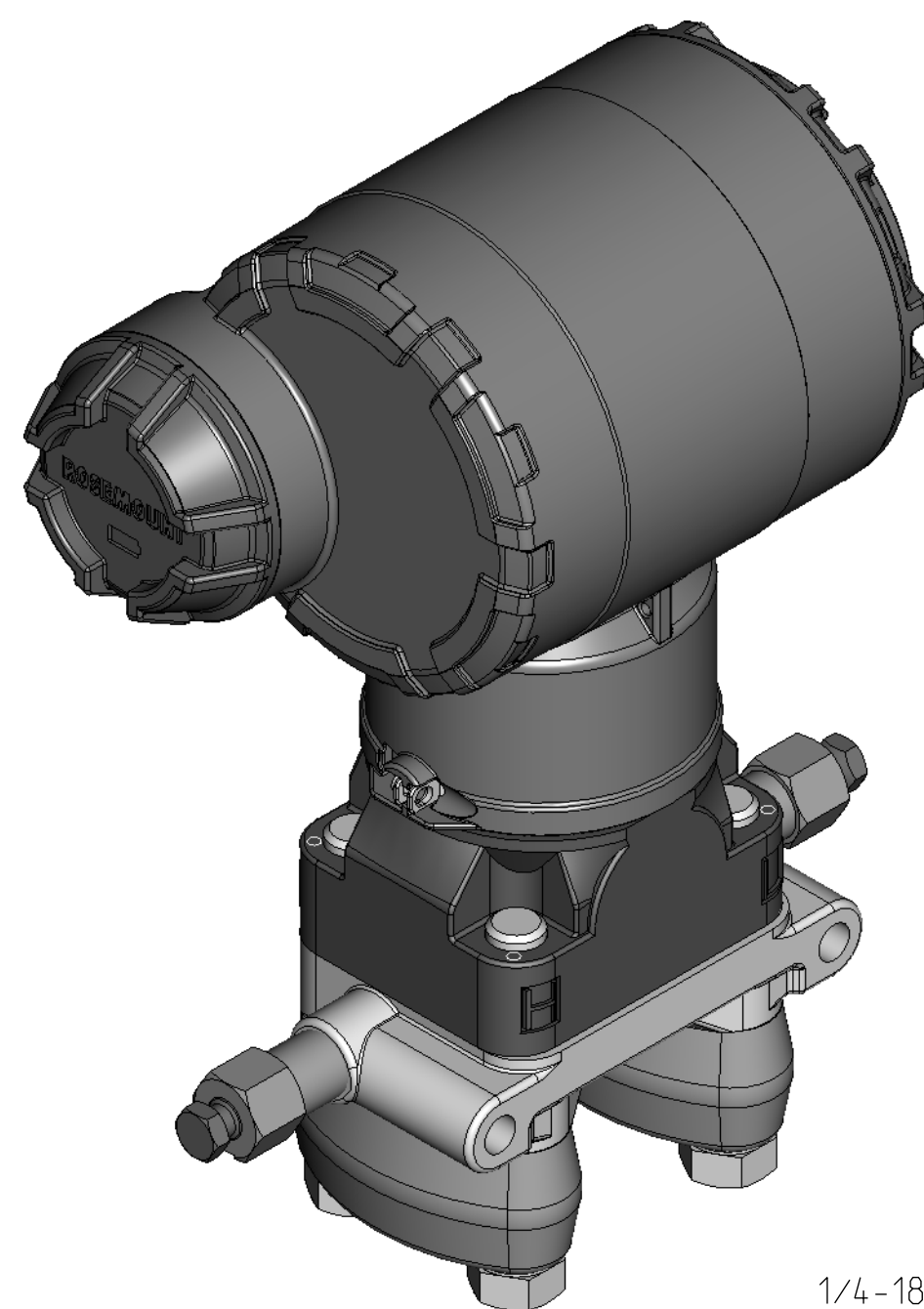
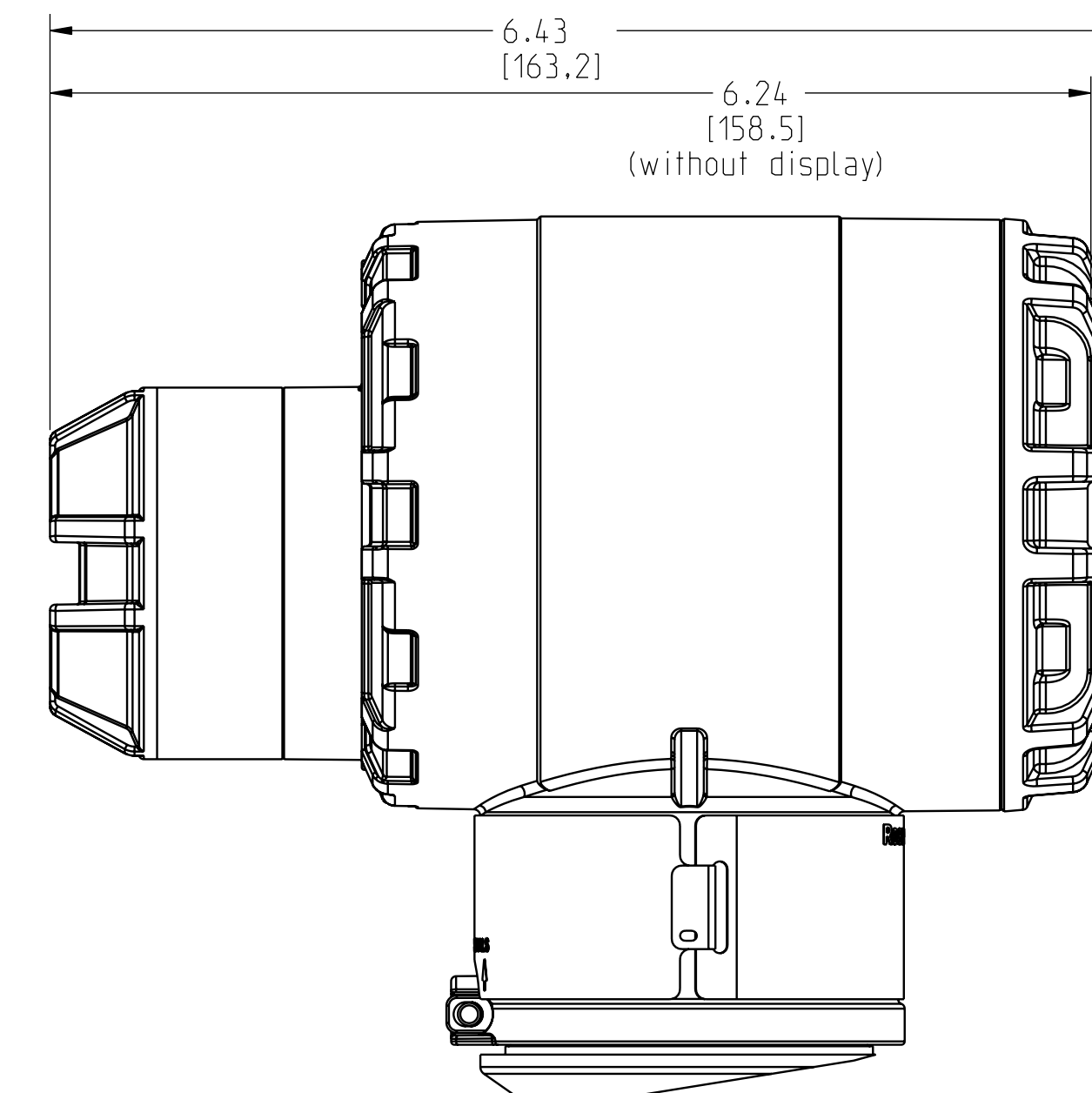
ROSEMOUNT 2051C WIRELESS COPLANAR PRESSURE TRANSMITTER
 COPLANAR FLANGE PROCESS CONNECTION

OUTPUT CODE X
 POLYMER HOUSING

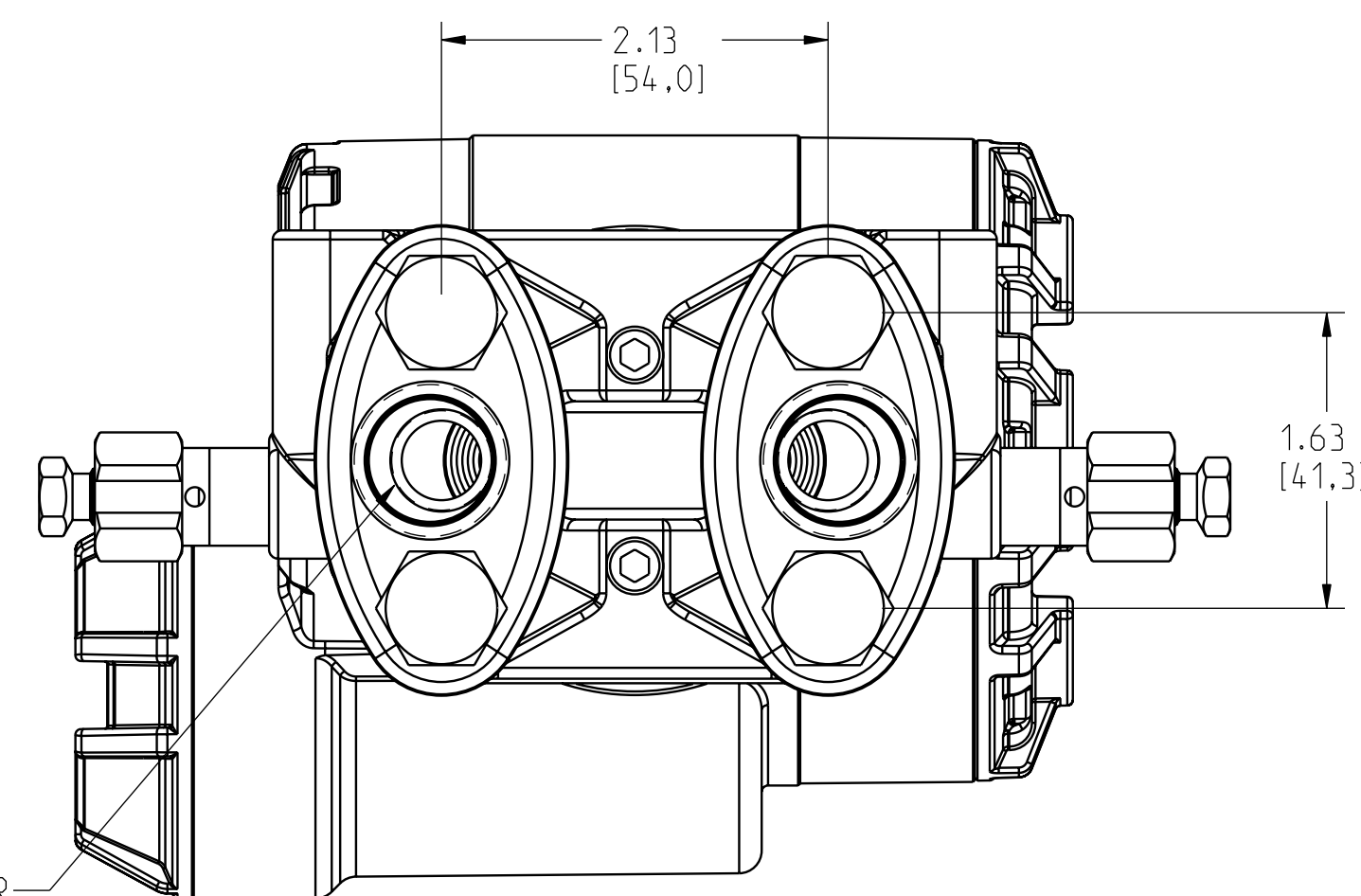
SHOWN WITH OPTIONAL DIGITAL DISPLAY



SHOWN WITH HS OPTION



1/4-18 NPT PROCESS CONNECTION OR
 1/2-14 NPT WITH OPTIONAL FLANGE
 ADAPTERS. ADAPTERS CAN BE ROTATED
 TO GIVE CONNECTIONS CENTERS OF
 2.00 (51), 2.125 (54), OR 2.25 (57)

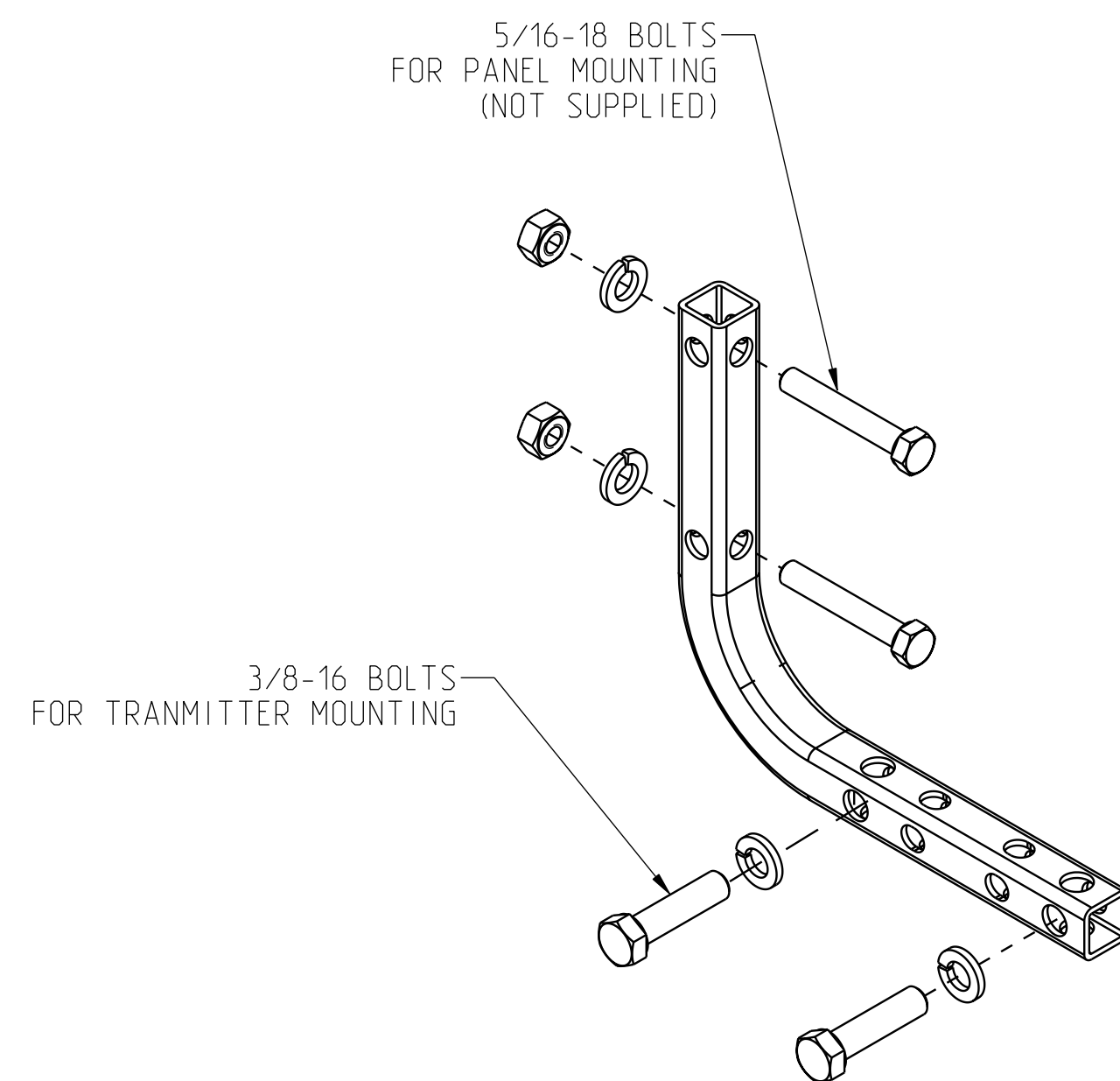
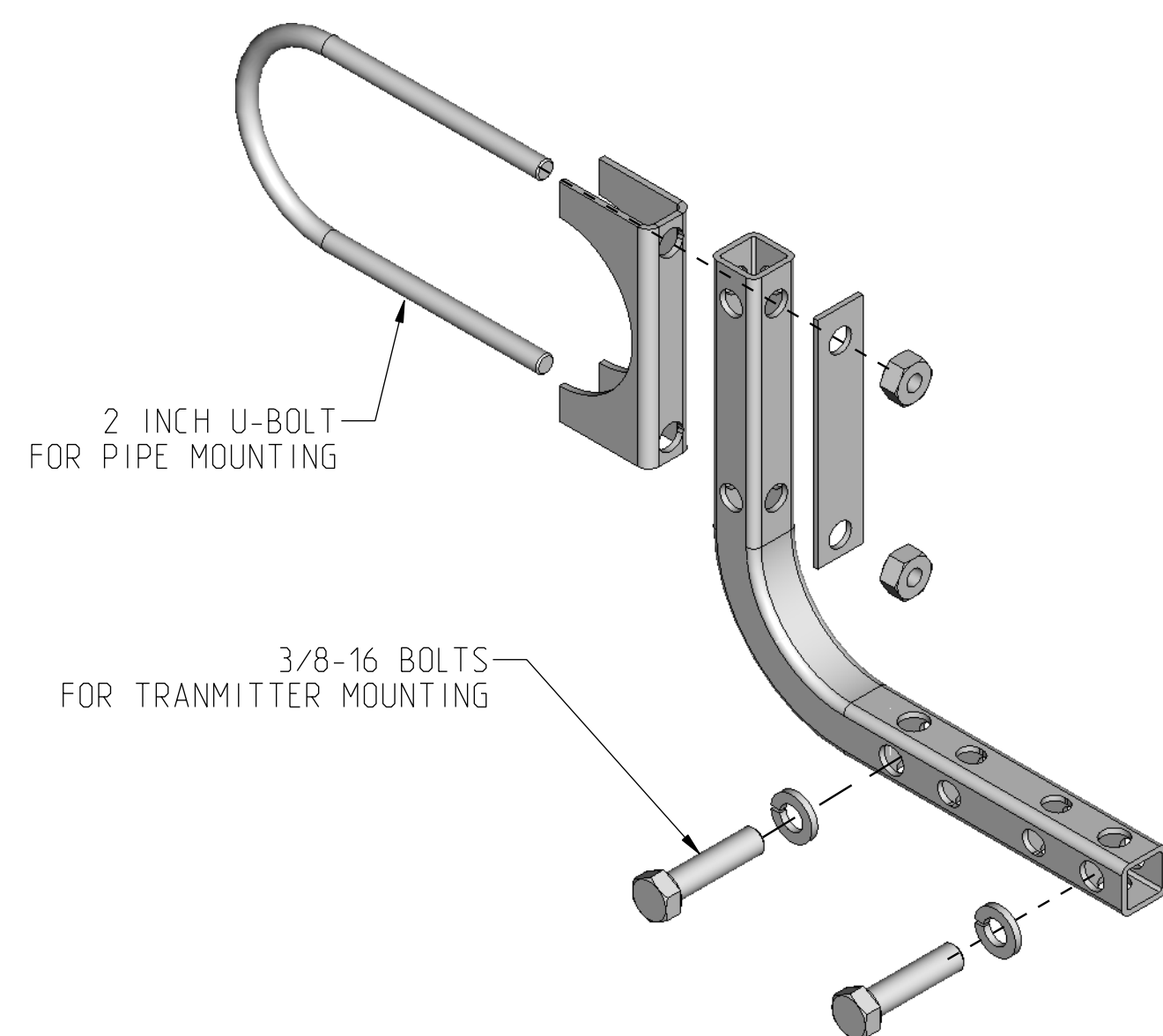
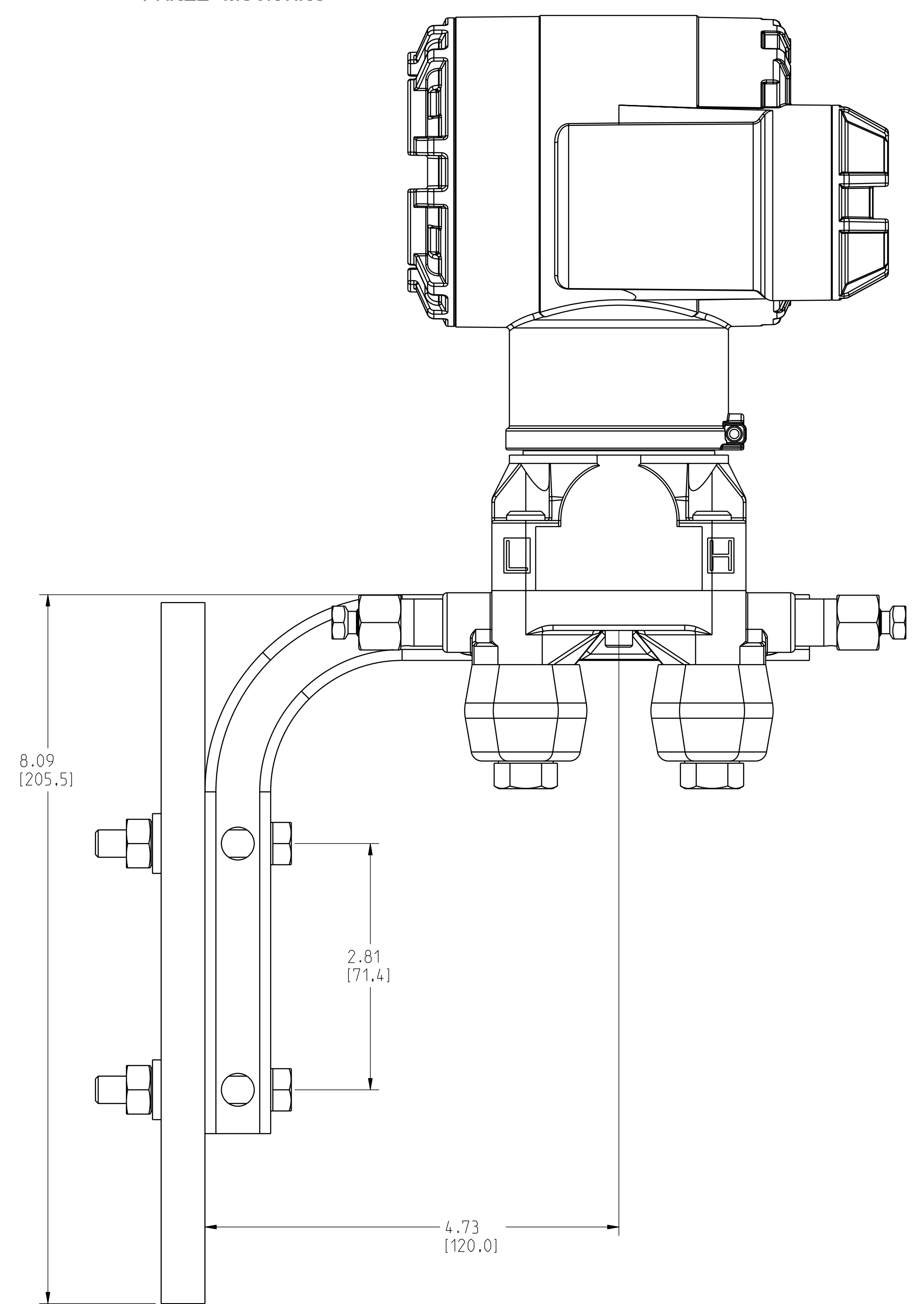
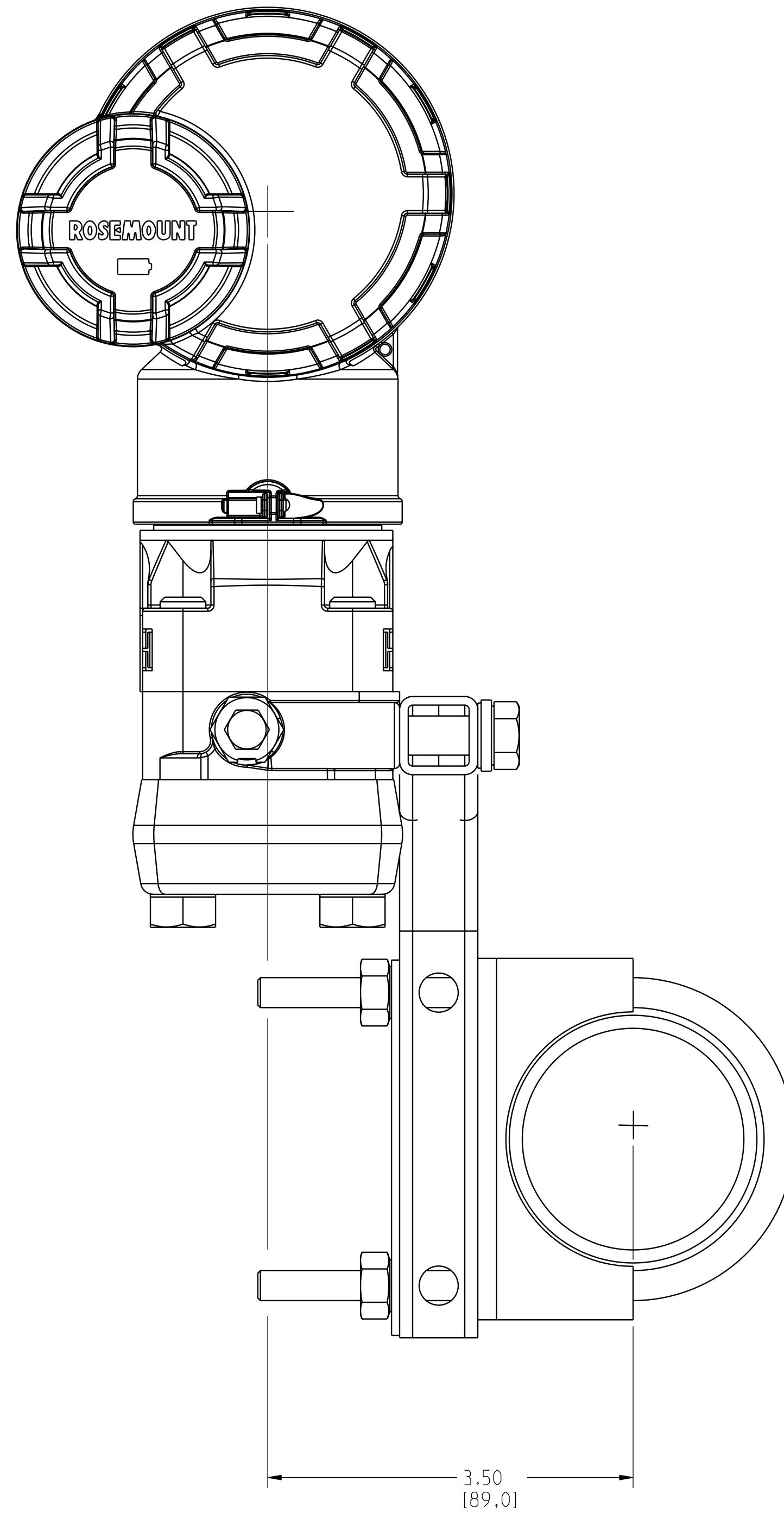
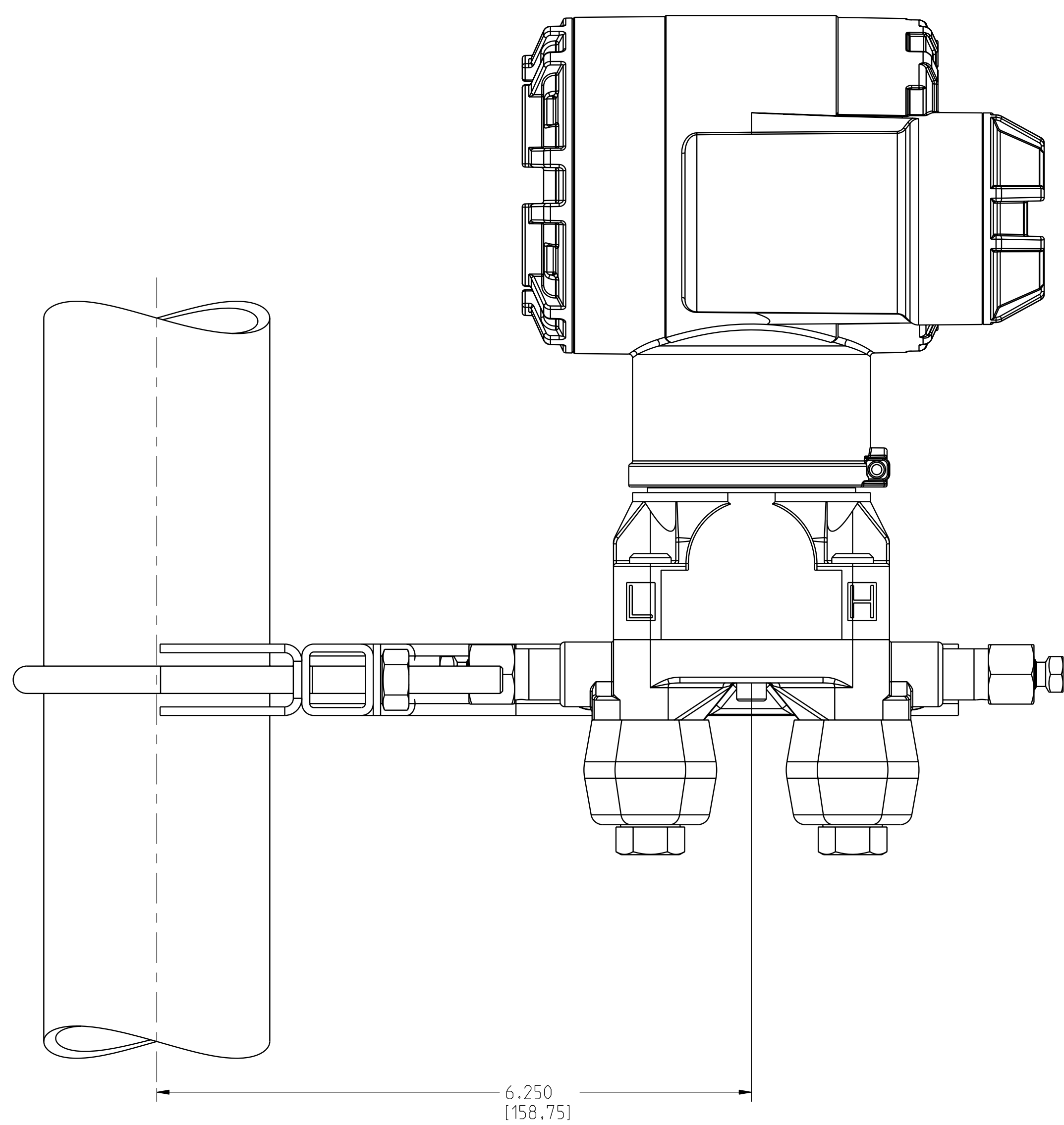


©2015 ROSEMOUNT INC. ROSEMOUNT INC. RESERVES ALL RIGHTS. THIS DRAWING IS THE PROPERTY OF ROSEMOUNT AND IS TO BE USED ONLY IN ACCORDANCE WITH ROSEMOUNT ENGINEERING SPECIFICATIONS. UNIT NOTES IN INCHES (mm). PREFERRED ROSEMOUNT PRODUCT SKETCHES FOR PRODUCT SPECIFICATIONS. CLICK HERE	3RD ANGLE		SIZE D	SCALE NTS
	EMERSON			
	TITLE ROSEMOUNT 2051C COPLANAR TYPE I DRAWING			
	DR. J. ARMSTRONG 11/30/16 DRAWING NO. APP'D N. MEIDL 11/30/16	02051-7710		
CAD MAINTAINED (PRO/E)			SHEET 6 OF 10	

ROSEMOUNT 2051C WIRELESS COPLANAR PRESSURE TRANSMITTER
 COPLANAR FLANGE MOUNTING CONFIGURATIONS

PIPE MOUNTING

PANEL MOUNTING



©2015 ROSEMOUNT INC.
 ROSEMOUNT INC. RESERVES
 ALL RIGHTS. THIS DRAWING IS
 THE PROPERTY OF ROSEMOUNT
 AND SHALL BE USED ONLY IN
 ACCORDANCE WITH THE
 ROSEMOUNT ENGINEERING
 SPECIFICATIONS.
 UNIT NOTES IN INCHES (mm).

REFERENCE ROSEMOUNT
 PRODUCT SPECIFICATIONS FOR
 PRODUCT SPECIFICATIONS.
 CLICK HERE

DR. J. ARMSTRONG | 11/30/16 | DRAWING NO. | 02051-7710
 APP'D N. MEIDL | 11/30/16 | SHEET 7 OF 10

EMERSON
 TITLE ROSEMOUNT 2051C COPLANAR
 TYPE I DRAWING

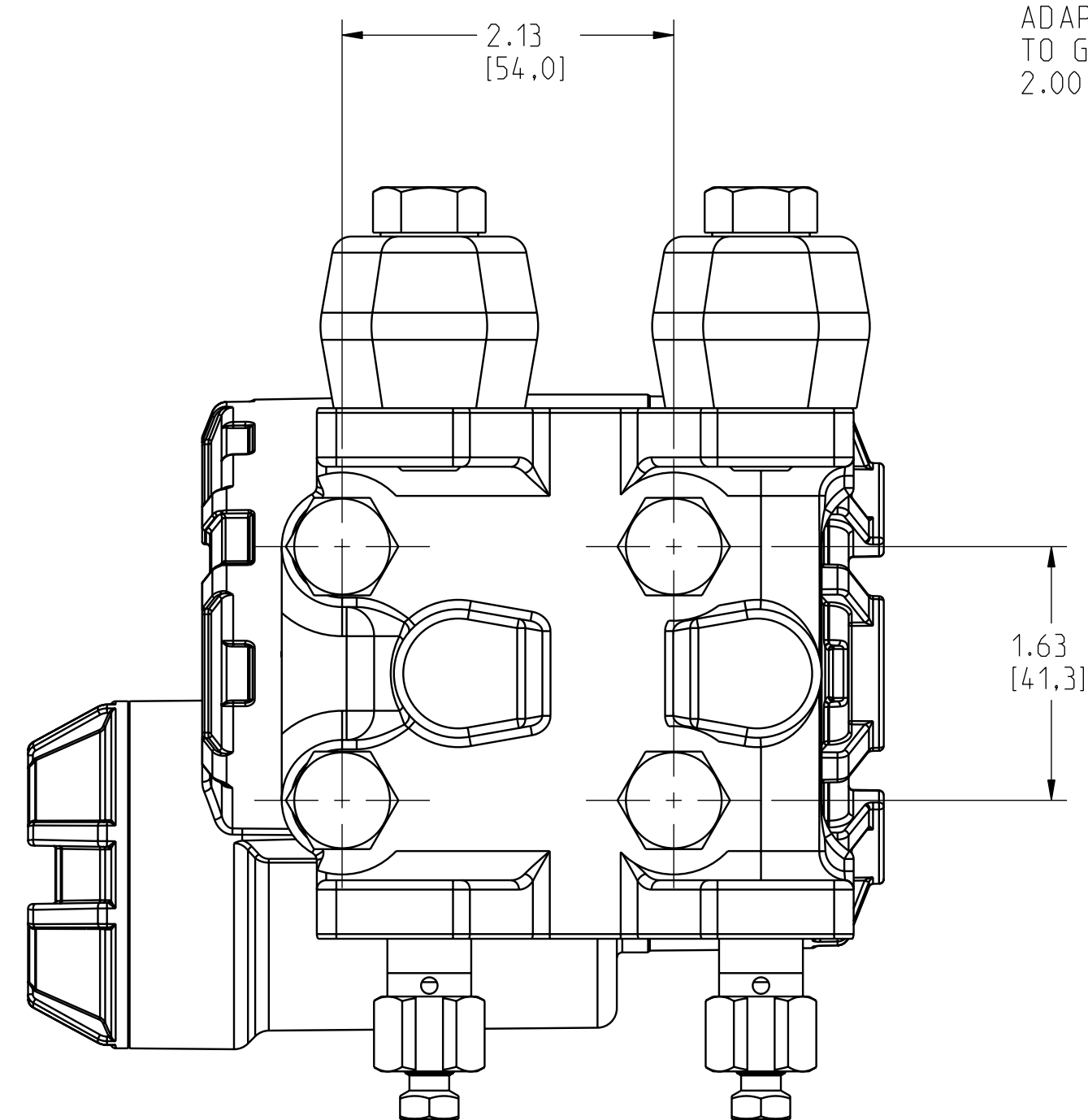
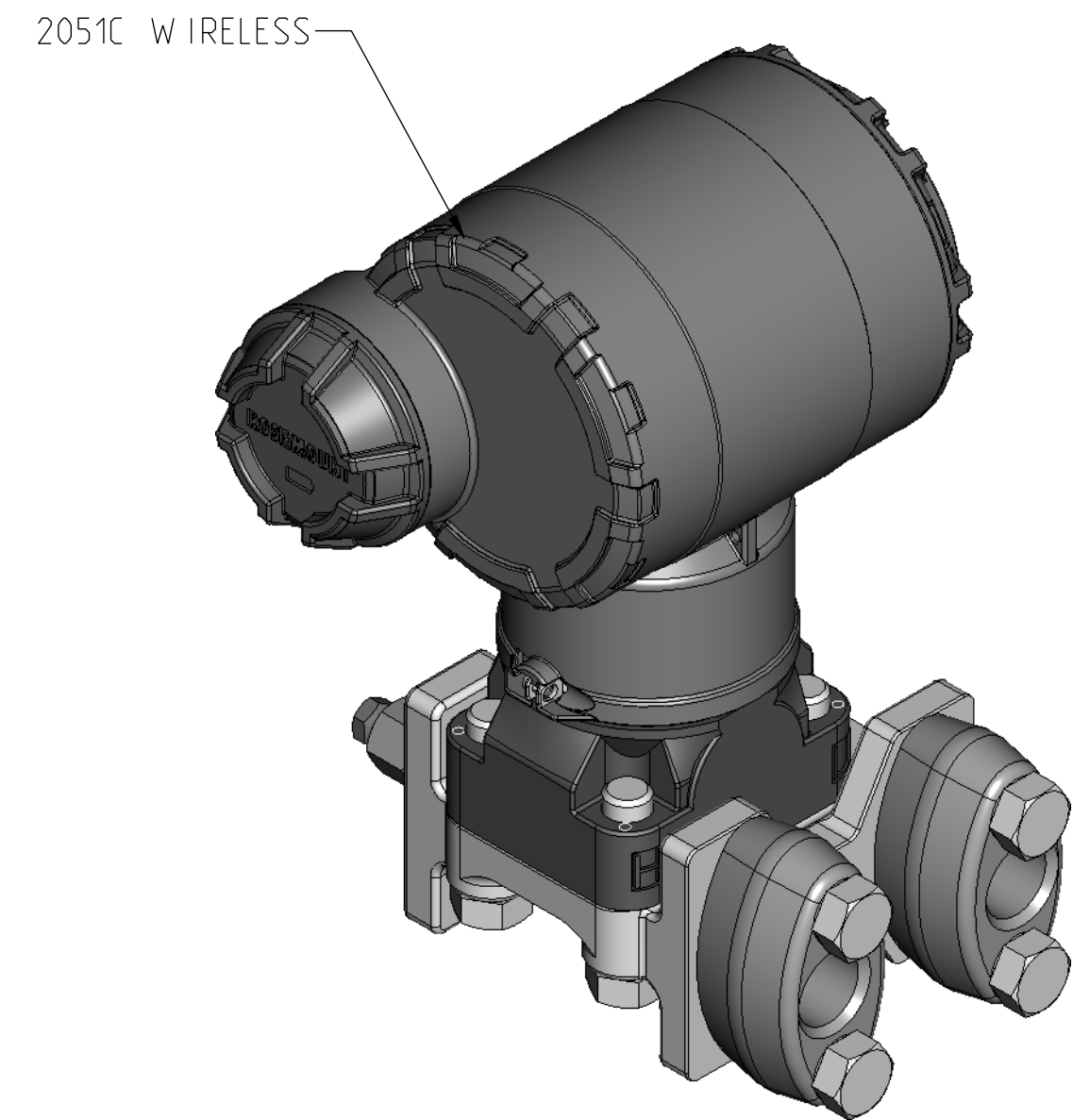
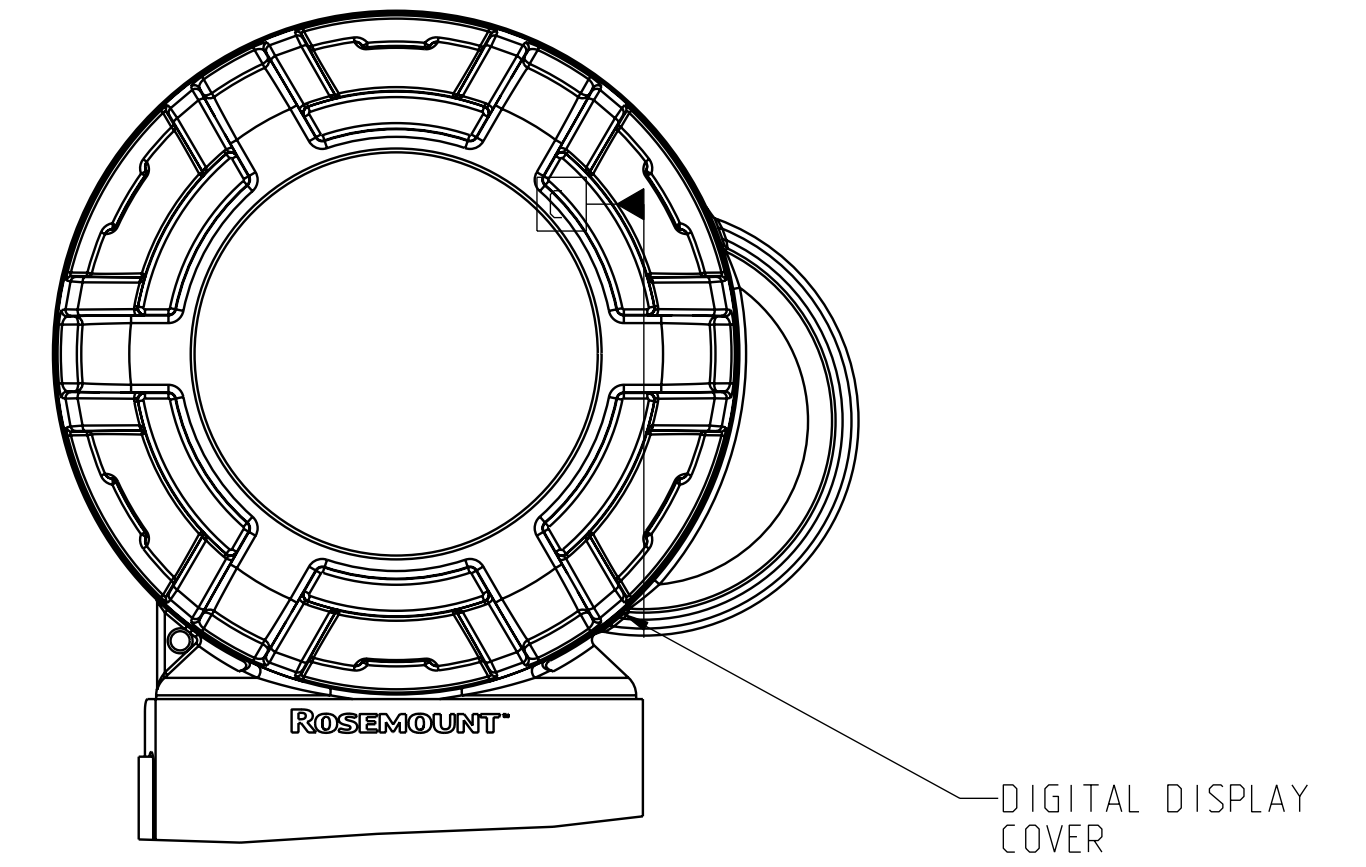
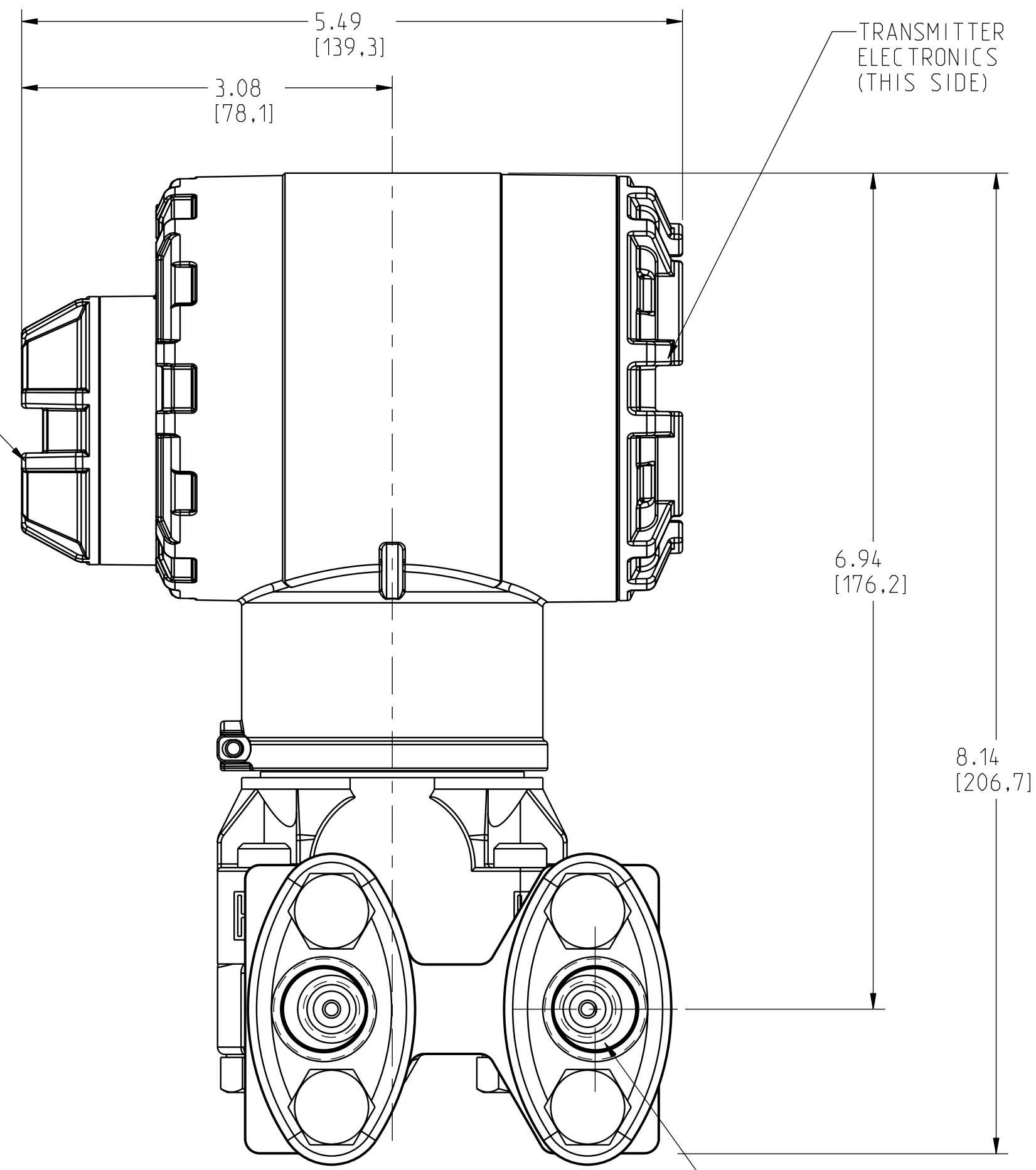
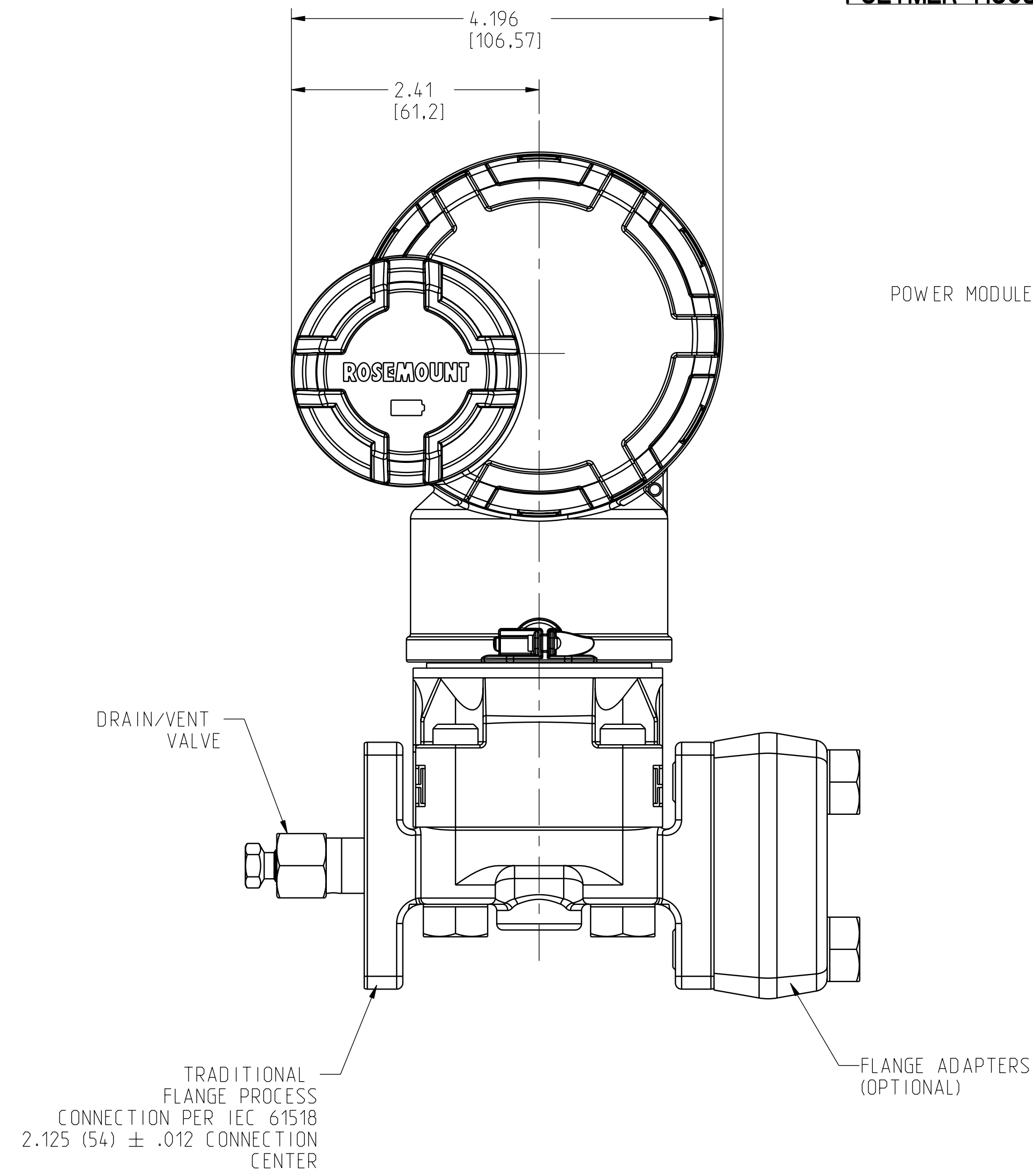
3RD ANGLE
 SIZE D
 SCALE NTS

CAD MAINTAINED. (PRO/E)

ROSEMOUNT 2051C WIRELESS COPLANAR PRESSURE TRANSMITTER TRADITIONAL FLANGE MOUNTING CONFIGURATIONS

OUTPUT CODE X
POLYMER HOUSING

SHOWN WITH OPTIONAL DIGITAL DISPLAY



©2015 ROSEMOUNT INC. ROSEMOUNT INC. RESERVES ALL RIGHTS IN THIS DOCUMENT. THIS DOCUMENT IS UNCONTROLLED WHEN USED IN THE FIELD. THIS DOCUMENT IS THE PROPERTY OF ROSEMOUNT ENGINEERING. UNAUTHORIZED REPRODUCTION OR DISTRIBUTION IS PROHIBITED. FOR MORE INFORMATION, VISIT US AT WWW.ROSEMOUNT.COM. UNIT NOTES IN INCHES (mm).

REFERENCE ROSEMOUNT PRODUCT SPECIFICATIONS FOR PRODUCT SPECIFICATIONS. CLICK HERE

DR. J. ARMSTRONG | 11/30/16 | DRAWING NO. 02051-7710

APP'D N. MEIDL | 11/30/16

CAD MAINTAINED (PRO/E) | SHEET 8 OF 10

EMERSON

TITLE ROSEMOUNT 2051C COPLANAR TYPE I DRAWING

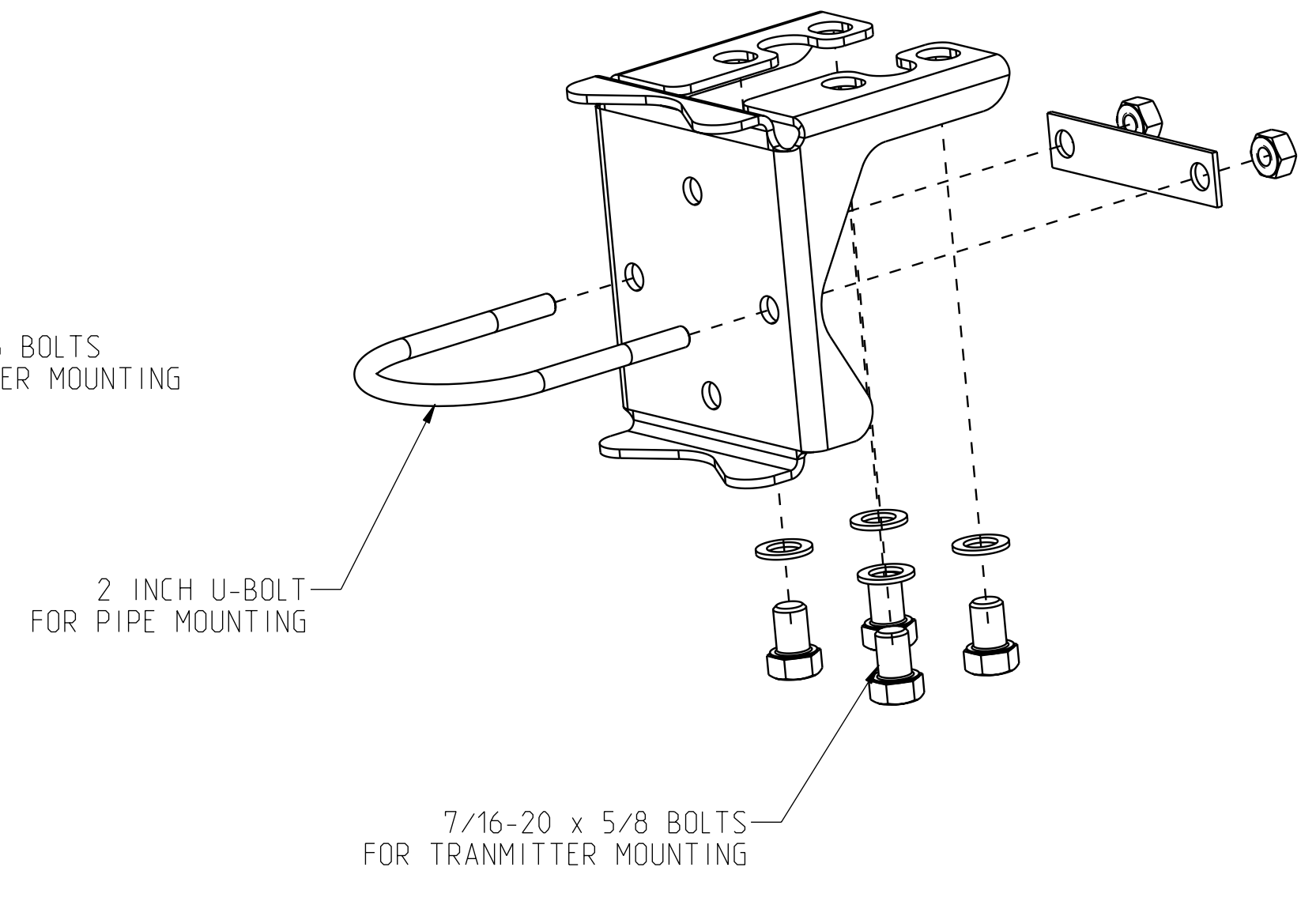
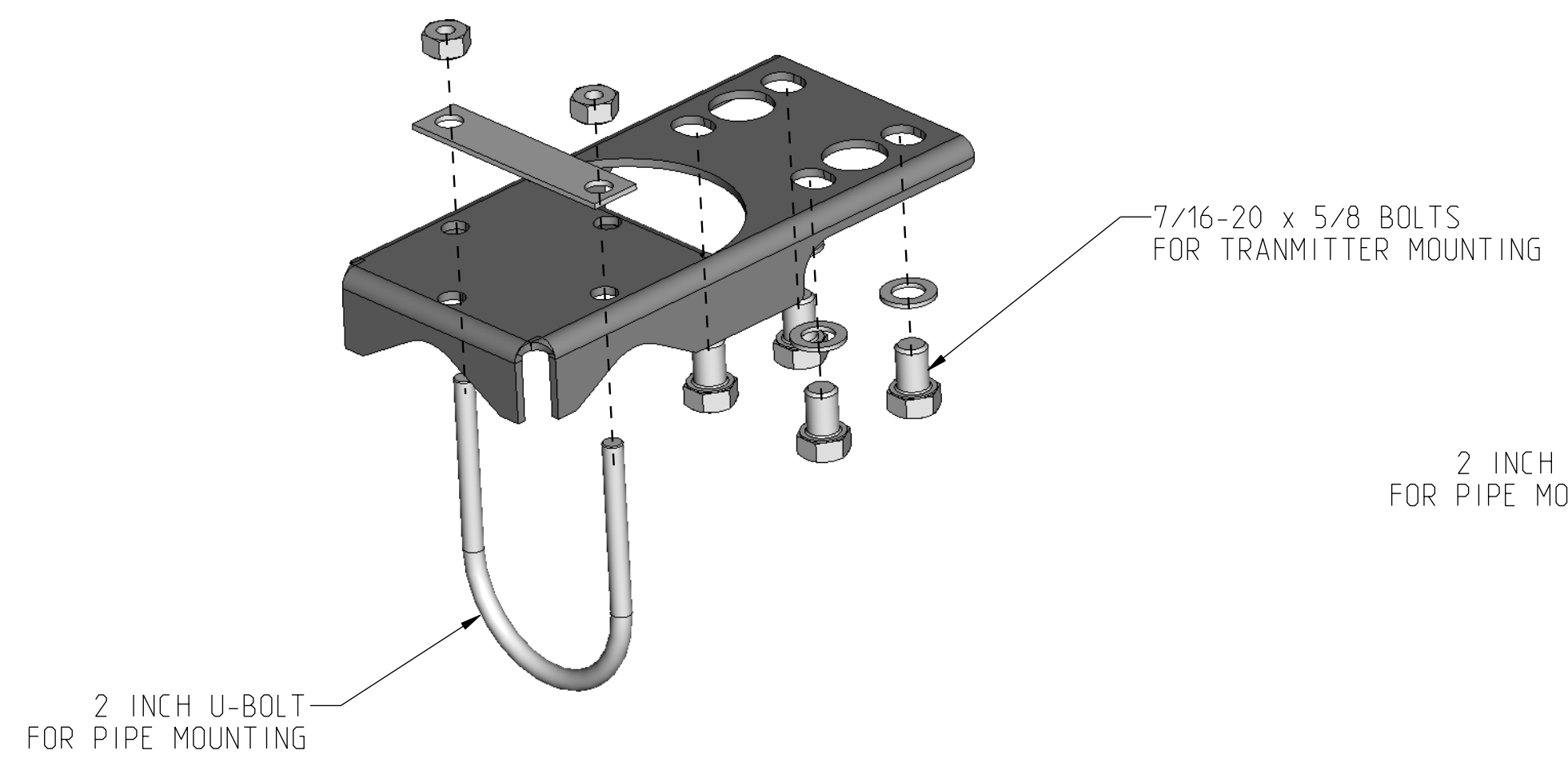
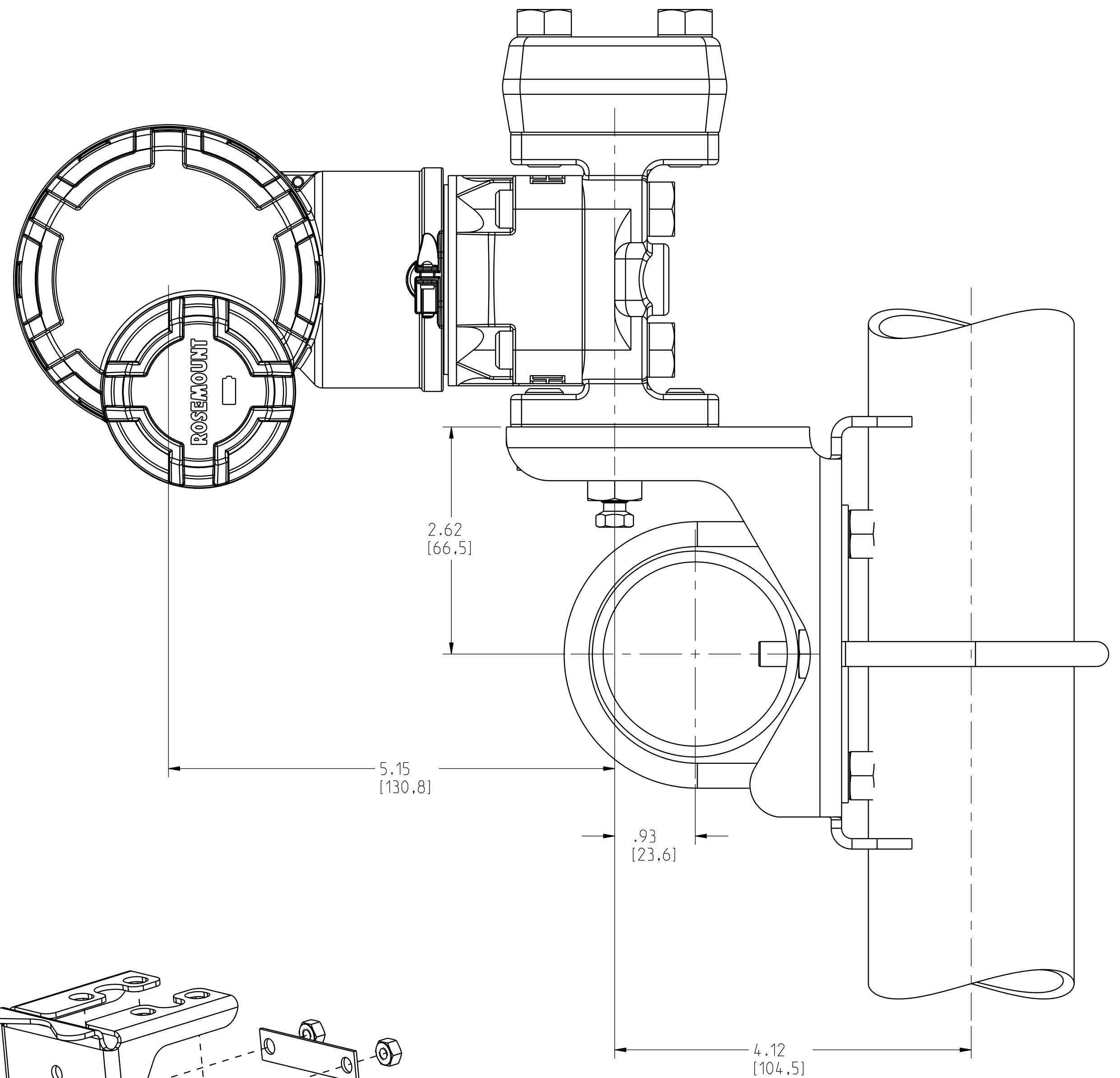
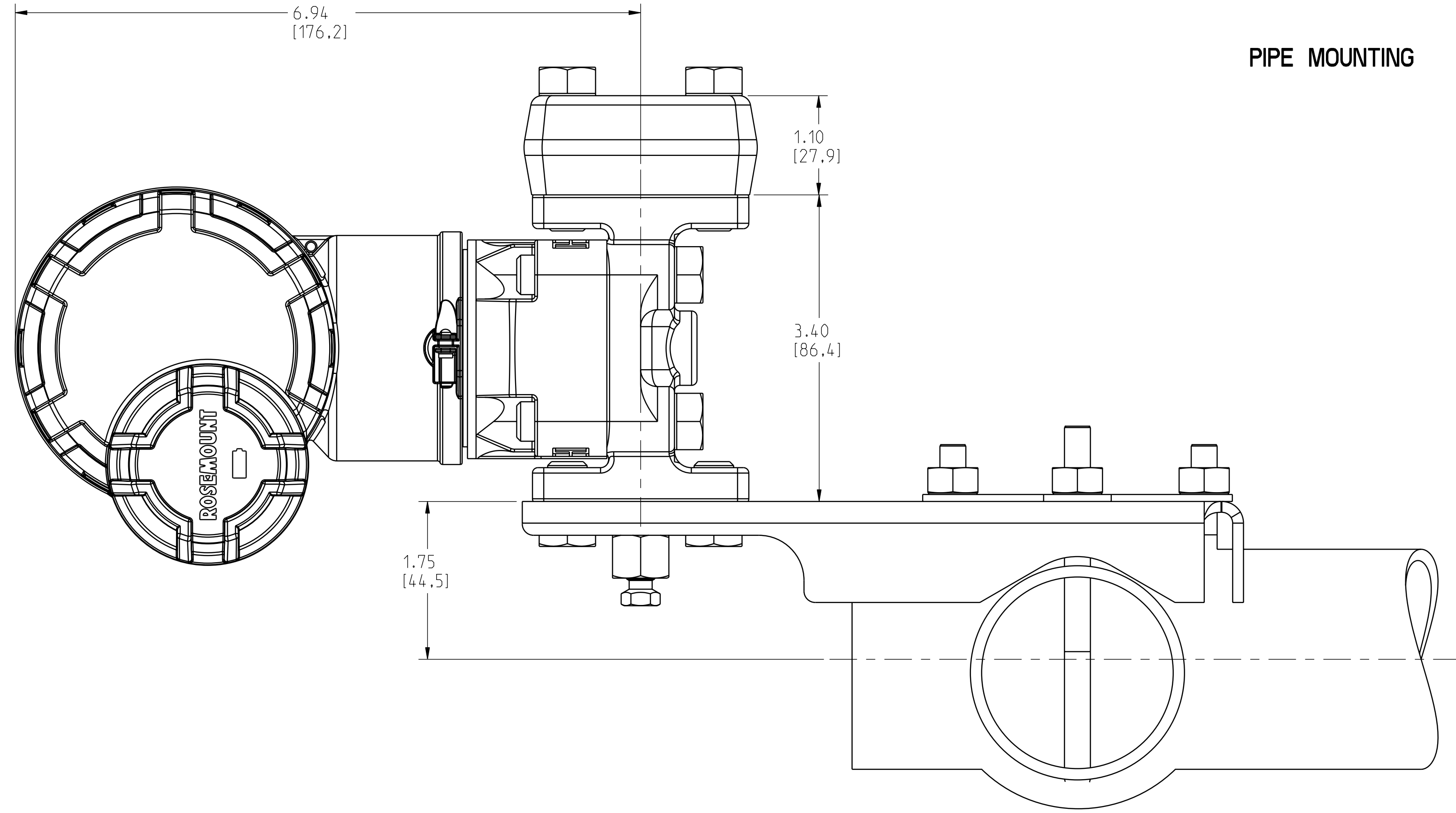
3RD ANGLE

SIZE D

SCALE NTS

ROSEMOUNT 2051C WIRELESS COPLANAR PRESSURE TRANSMITTER
TRADITIONAL FLANGE MOUNTING CONFIGURATIONS

PIPE MOUNTING



©2015 ROSEMOUNT INC.
ROSEMOUNT INC. RESERVES
ALL RIGHTS. THIS DRAWING IS
THE PROPERTY OF ROSEMOUNT
AND IS TO BE USED ONLY IN
CONJUNCTION WITH
ROSEMOUNT ENGINEERING
SPECIFICATIONS.
UNIT NOTES IN INCHES (mm).

REFERENCE ROSEMOUNT
PRODUCT SPECIFICATIONS FOR
PRODUCT SPECIFICATIONS.
CLICK HERE

3RD ANGLE

EMERSON

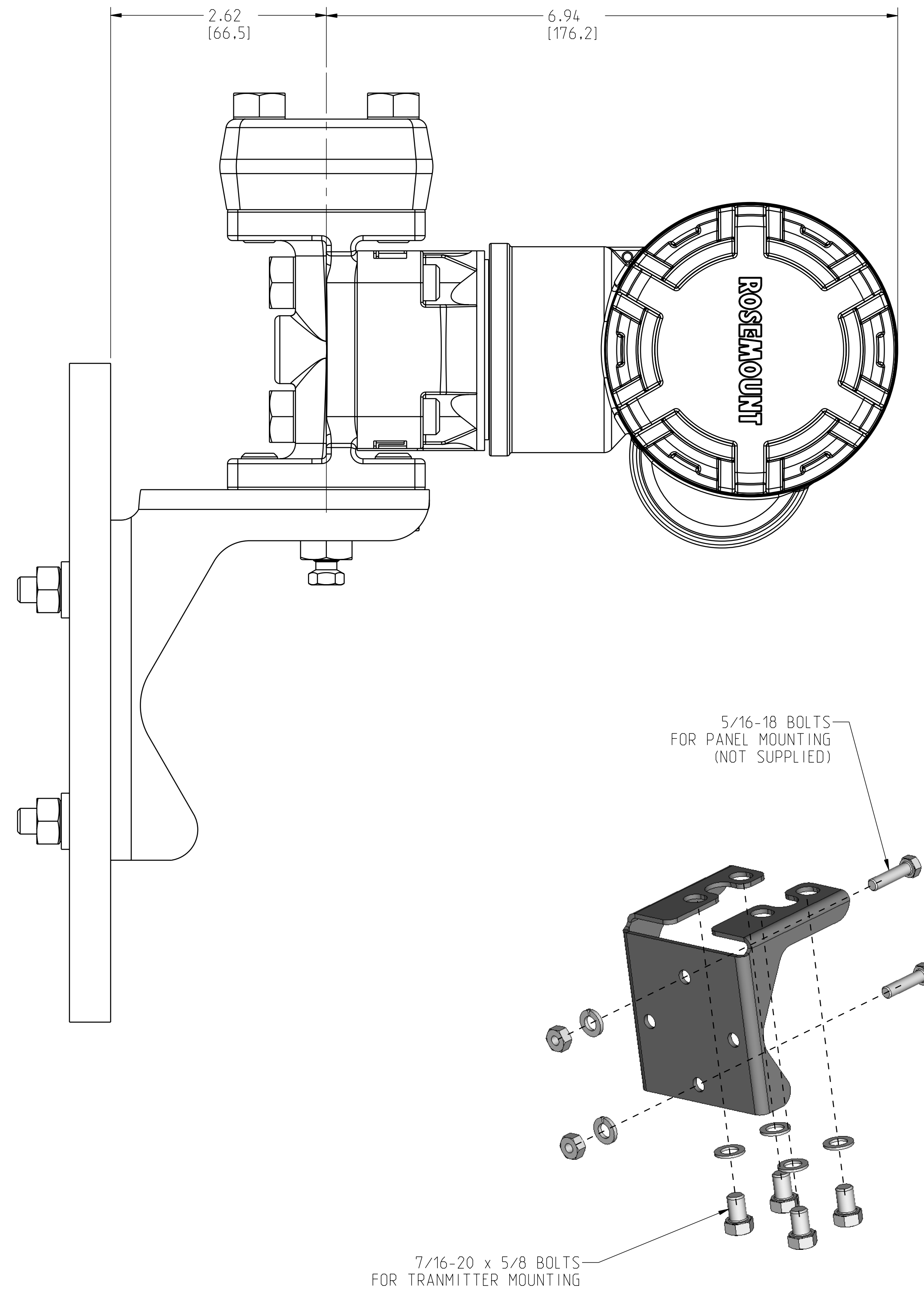
TITLE ROSEMOUNT 2051C COPLANAR
TYPE I DRAWING

DR. J. ARMSTRONG | 11/30/16 | DRAWING NO. | 02051-7710
APP'D N. MEIDL | 11/30/16

CAD MAINTAINED. (PRO/E) SHEET 9 OF 10

ROSEMOUNT 2051C WIRELESS COPLANAR PRESSURE TRANSMITTER
 TRADITIONAL FLANGE MOUNTING CONFIGURATIONS

PANEL MOUNTING



©2015 ROSEMOUNT INC.
 ROSEMOUNT INC. RESERVES
 ALL RIGHTS. THIS DRAWING IS
 THE PROPERTY OF ROSEMOUNT
 AND IS TO BE USED ONLY IN
 ACCORDANCE WITH THE
 ROSEMOUNT ENGINEERING
 SPECIFICATIONS.
 UNIT NOTES IN INCHES (mm).

REFERENCE ROSEMOUNT
 PRODUCT SPECIFICATIONS FOR
 PRODUCT SPECIFICATIONS.
 CLICK HERE

DR. J. ARMSTRONG | 11/30/16 | DRAWING NO. 02051-7710
 APP'D N. MEIDL | 11/30/16 |
 CAD MAINTAINED (PRO/E) | SHEET 10 OF 10

EMERSON
 TITLE ROSEMOUNT 2051C COPLANAR
 TYPE I DRAWING

3RD ANGLE
 SIZE D
 SCALE NTS