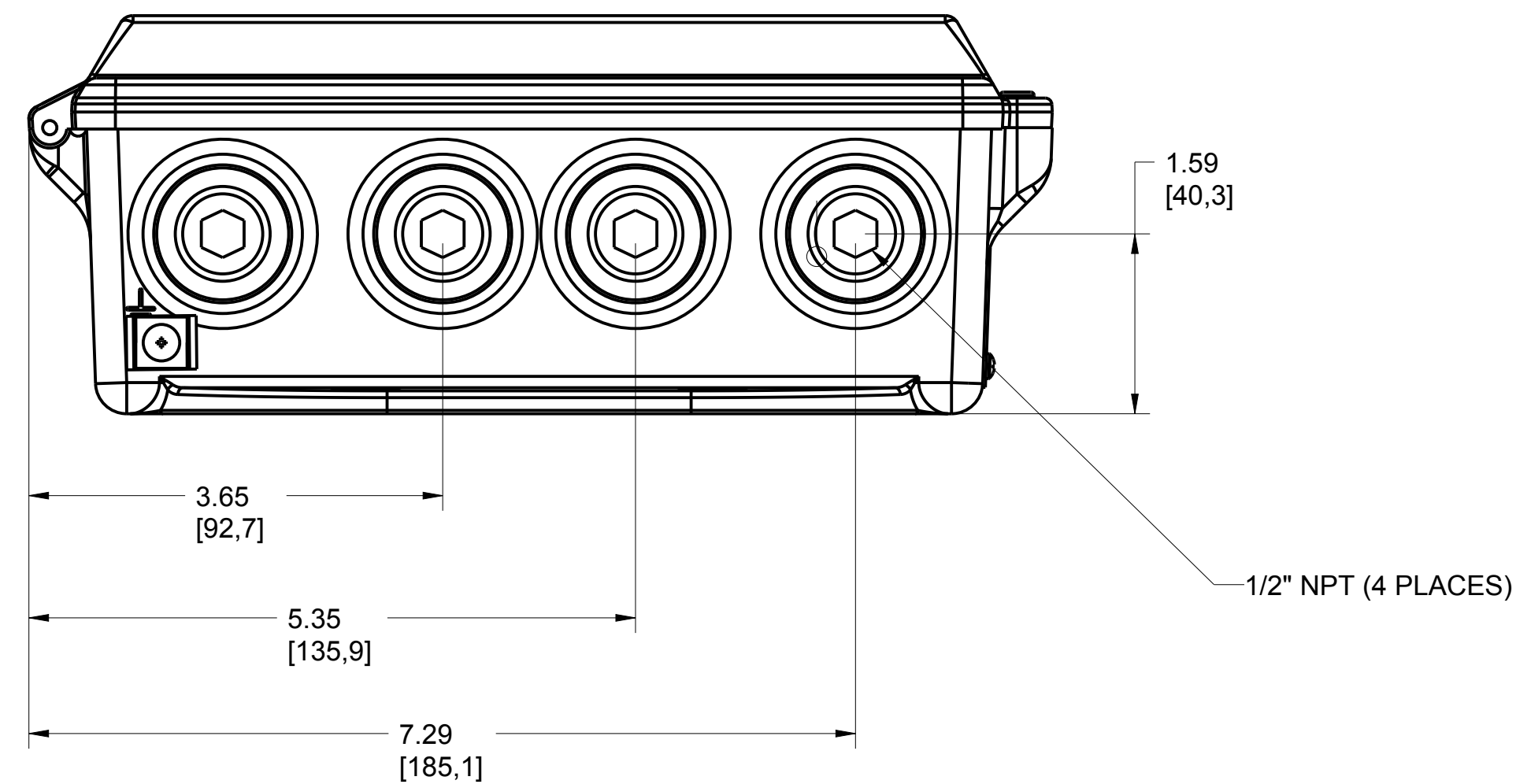
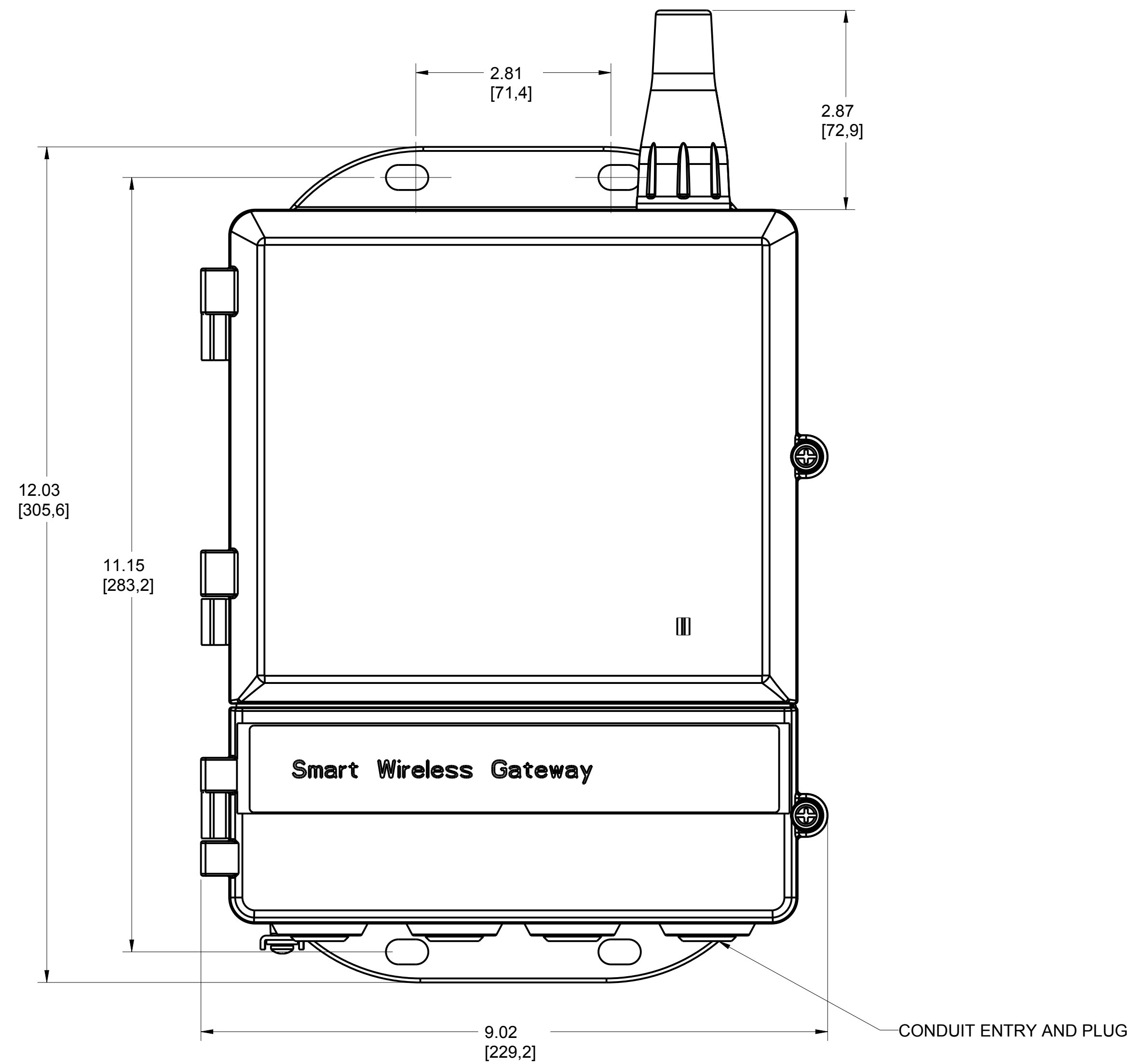
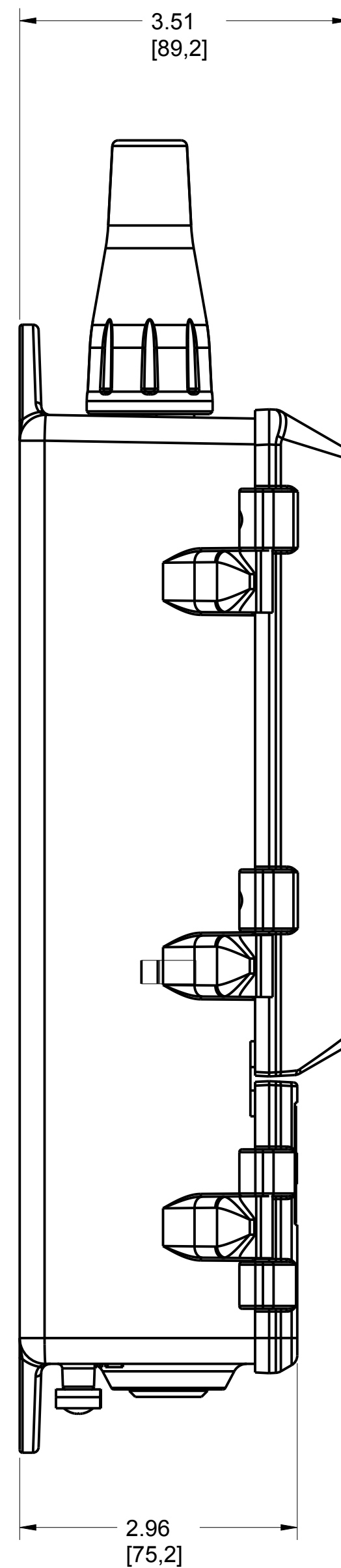


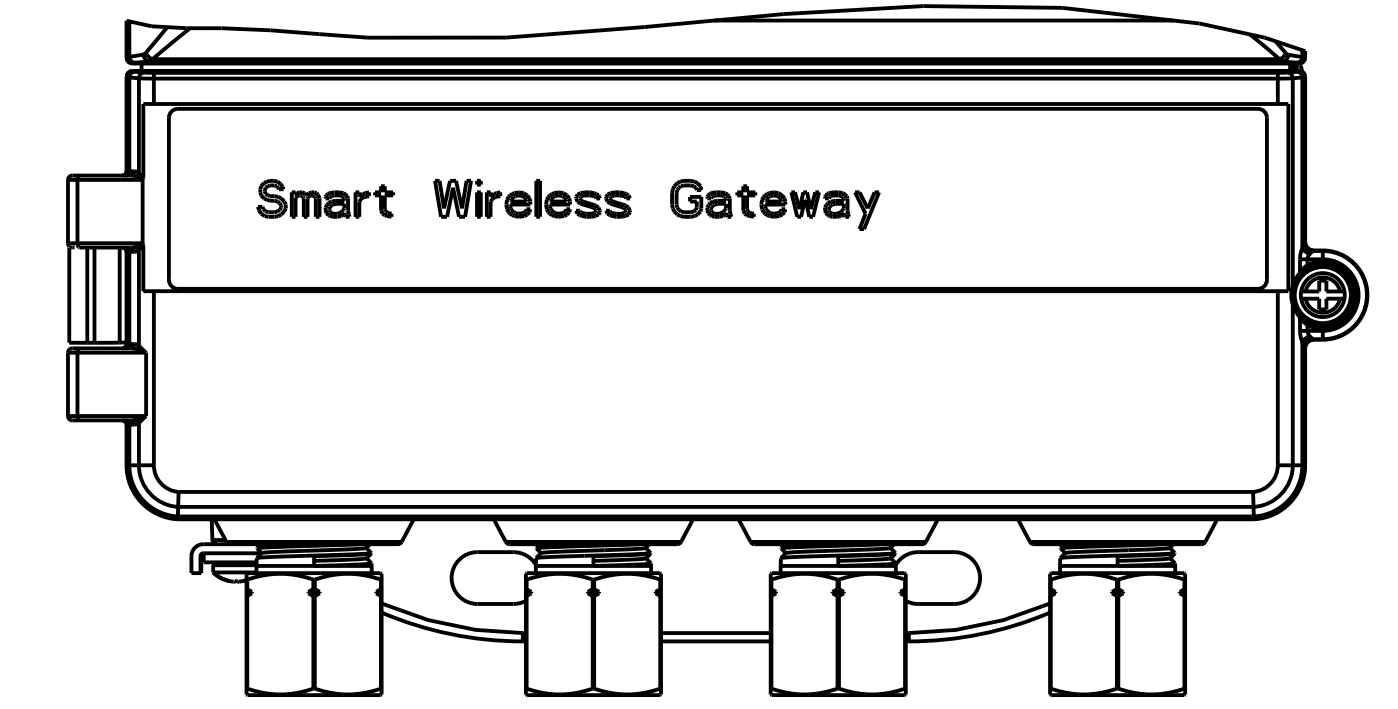
SMART WIRELESS GATEWAY

REVISION TABLE			
REVISION	ECO NO.	APP'D	DATE
AC	RTC1065163	A. RIEBEL	3/15/16
DESCRIPTION			
NEW RELEASE IN PRO-E			

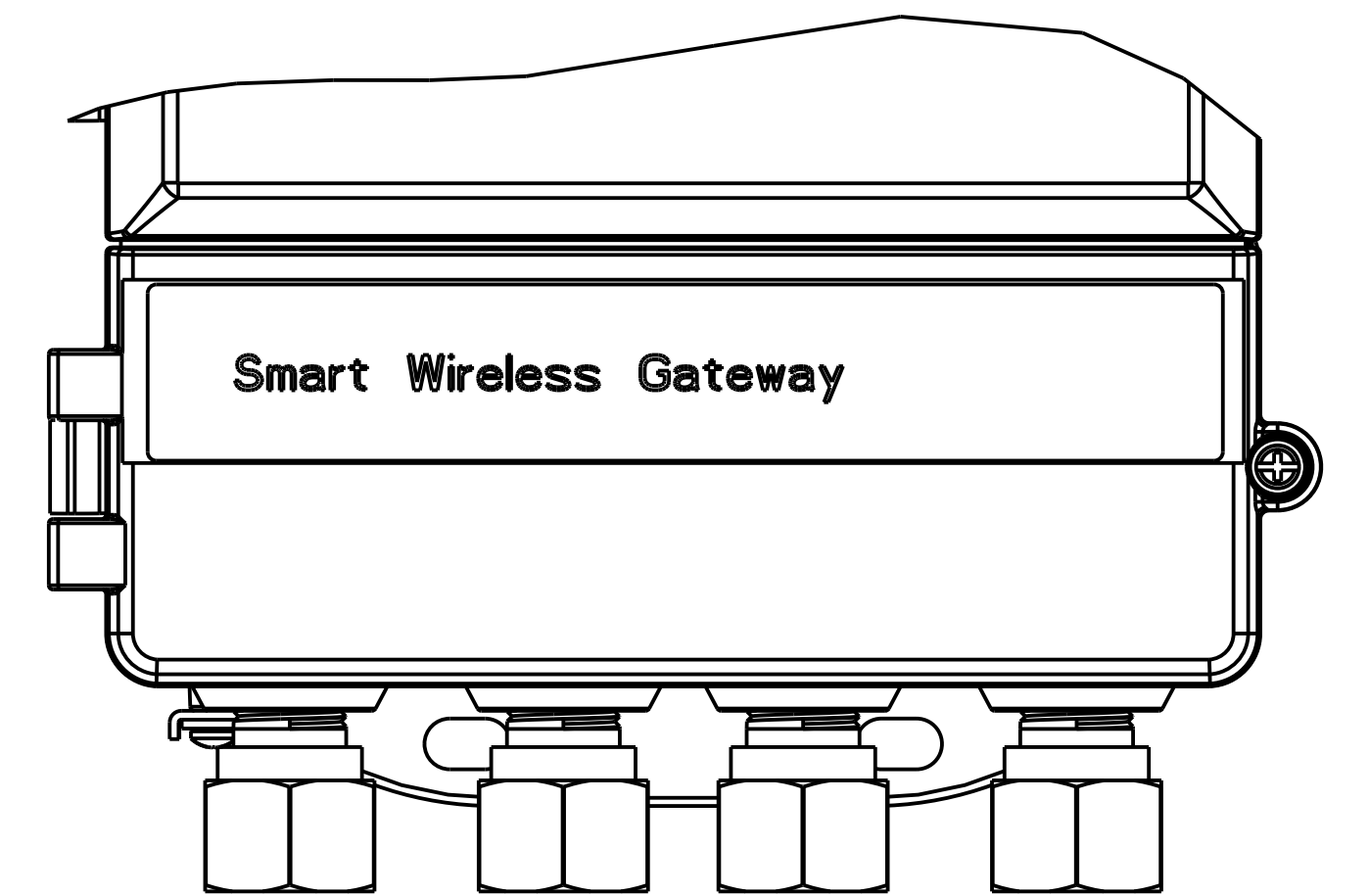
2.4 GHz WIRELESS ANTENNA



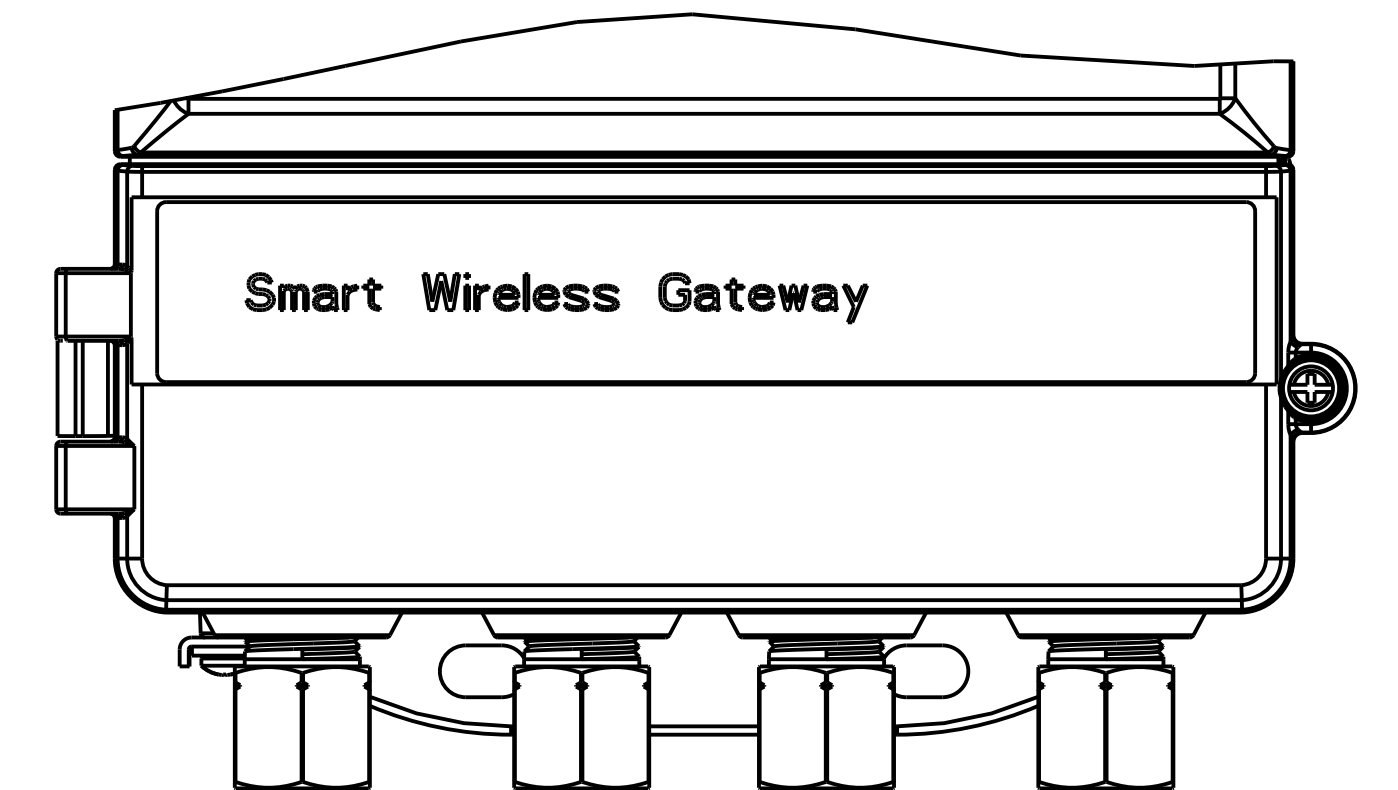
CONDUIT CONNECTORS



PG 13.5 CONDUIT CONNECTORS



3/4 NPT CONDUIT CONNECTORS



CM 20, PG 13.5, & 3/4 NPT CONDUIT CONNECTORS

©2016 ROSEMOUNT INC. THESE DRAWINGS ARE IN ACCORDANCE WITH ROSEMOUNT ENGINEERING SPECIFICATIONS. UNLESS OTHERWISE SPECIFIED, ALL DIMENSIONS REPRESENT THE EQUIPMENT FURNISHED AGAINST THE NOTED P.O. UNIT NOTES IN INCHES (mm).

REFER TO ROSEMOUNT PRODUCT DATA SHEETS FOR PRODUCT SPECIFICATIONS. CLICK HERE

EMERSON
Process Management

TITLE
ROSEMOUNT 1420
TYPE I DRAWING

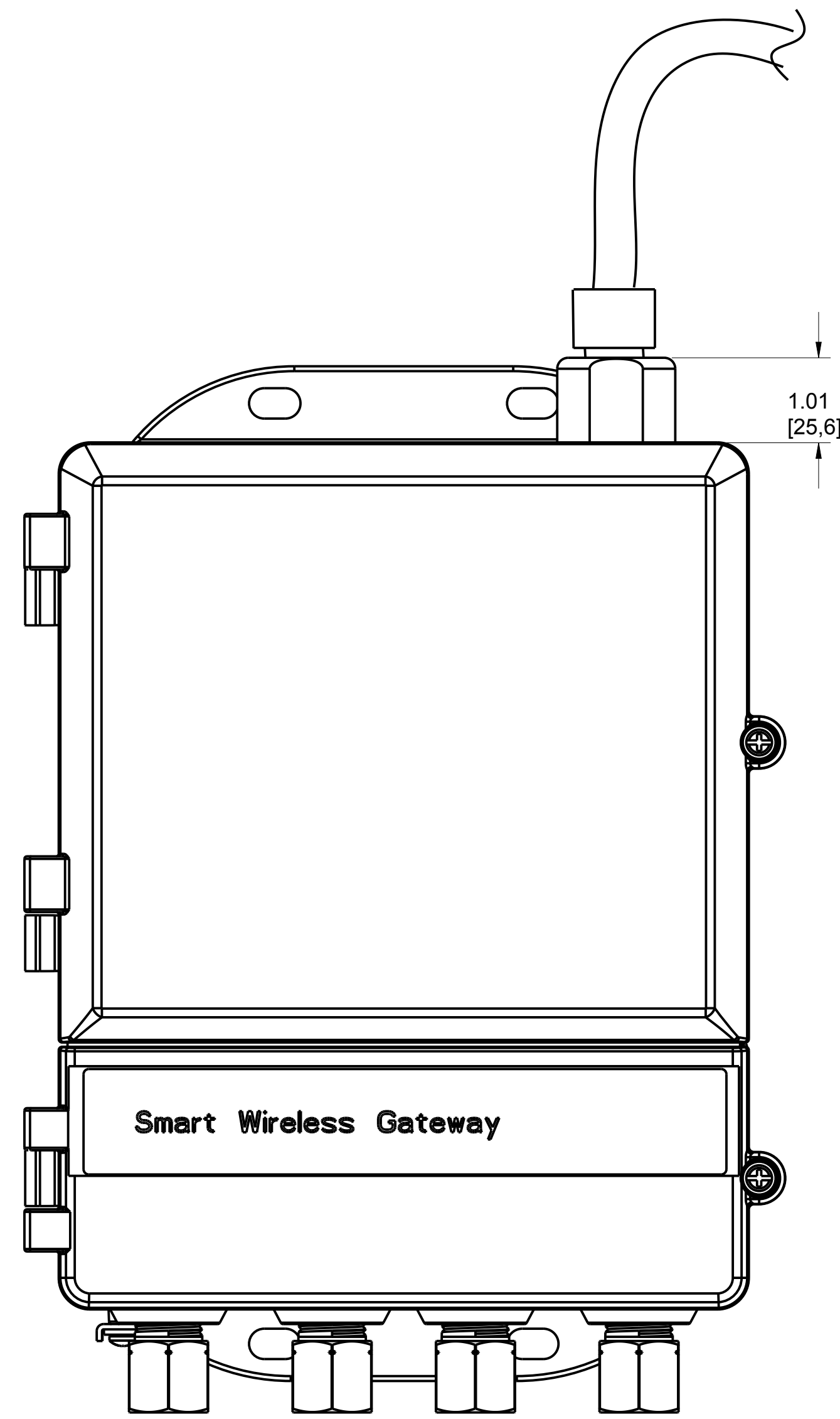
DR. J. Armstrong 3/16/16 DRAWING NO. 01420-7001
APP'D A. RIEBEL 3/15/16

CAD MAINTAINED, (PRO-E) SHEET 1 OF 3

3RD ANGLE

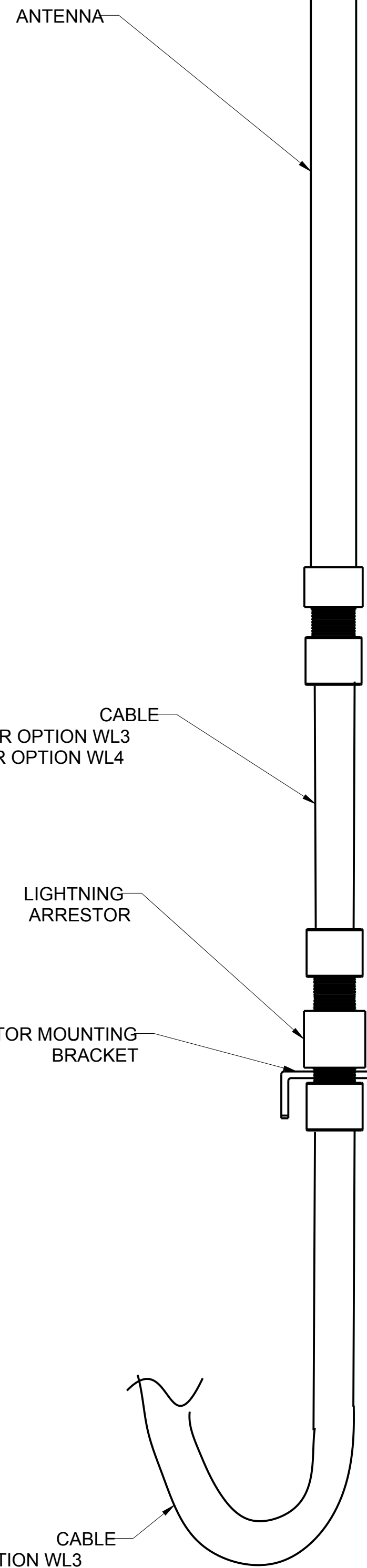
SIZE D SCALE NTS

SMART WIRELESS GATEWAY (REMOTE ANTENNA OPTIONS)

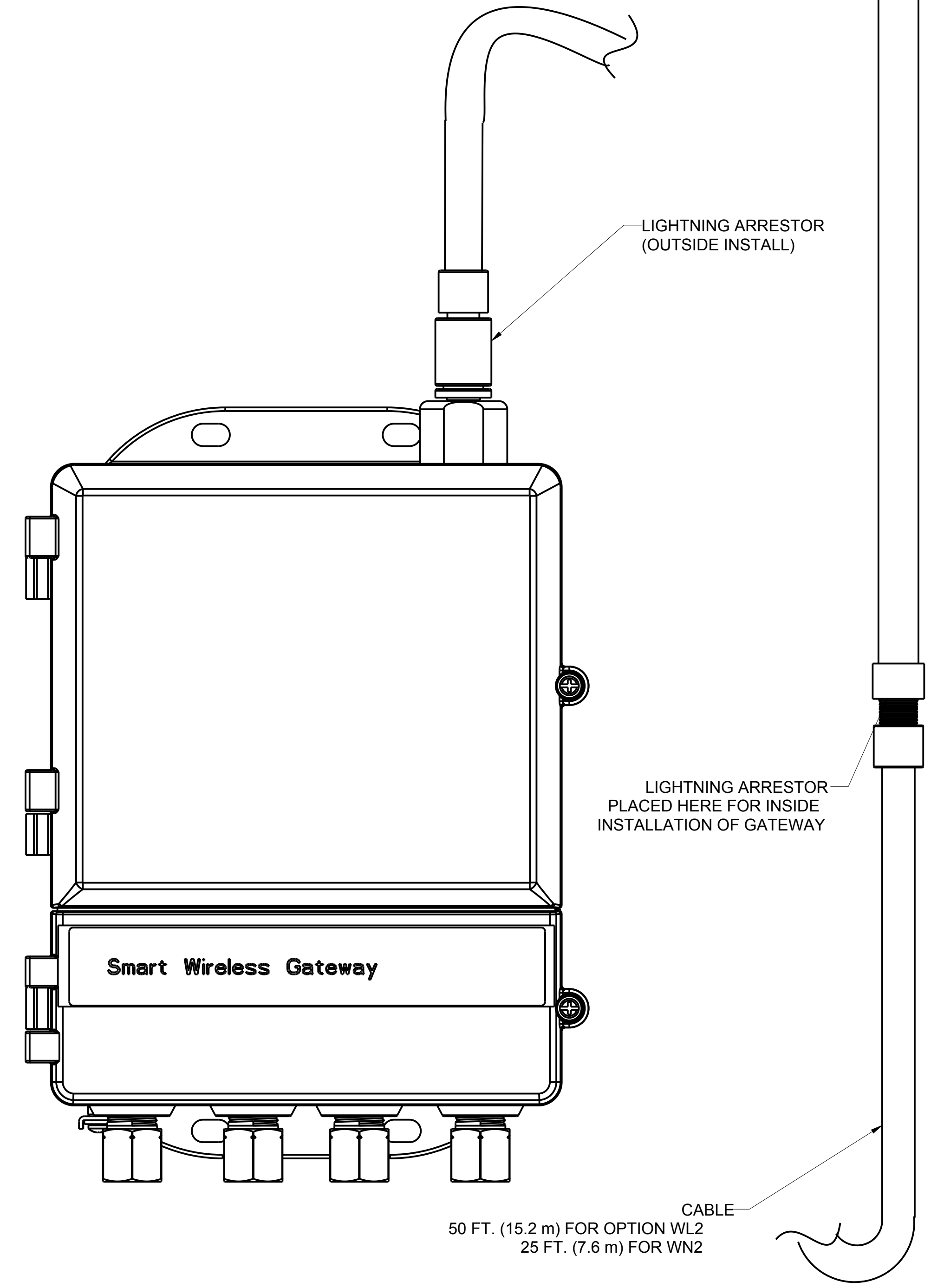


CM 20 CONDUIT CONNECTORS

OPTION WL3 OR WL4 TYPE



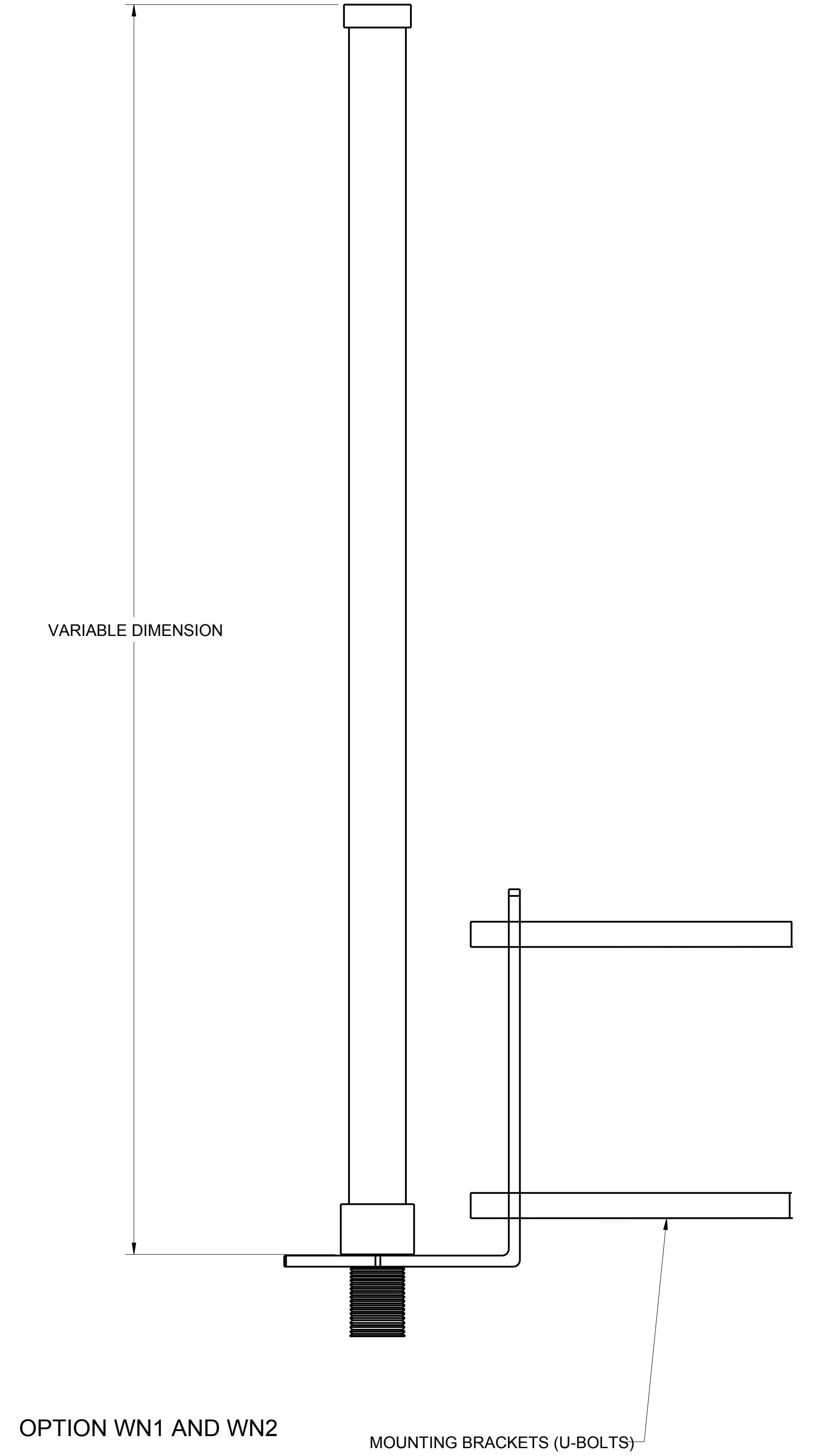
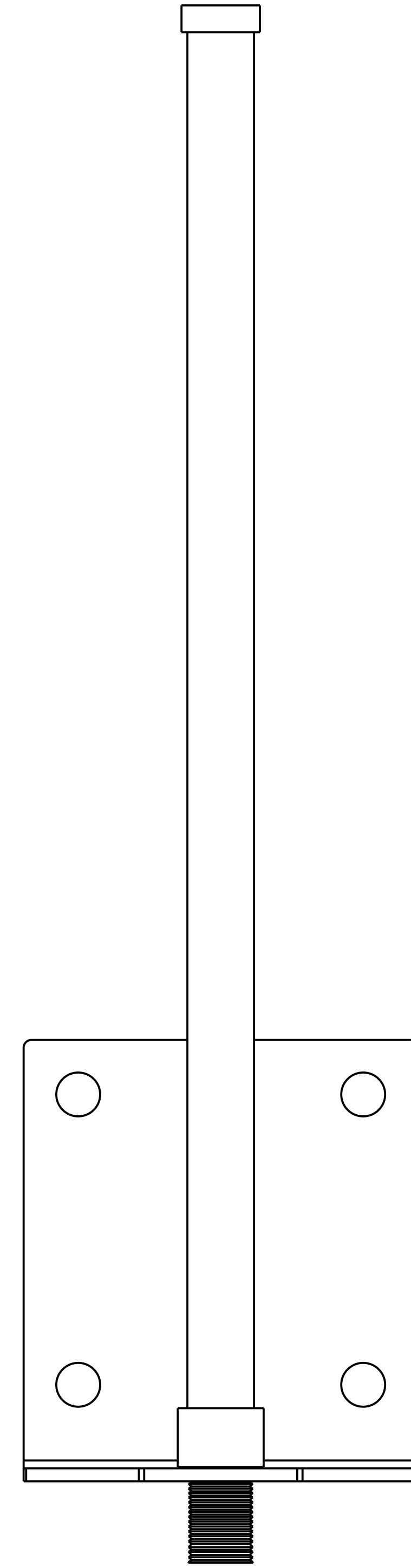
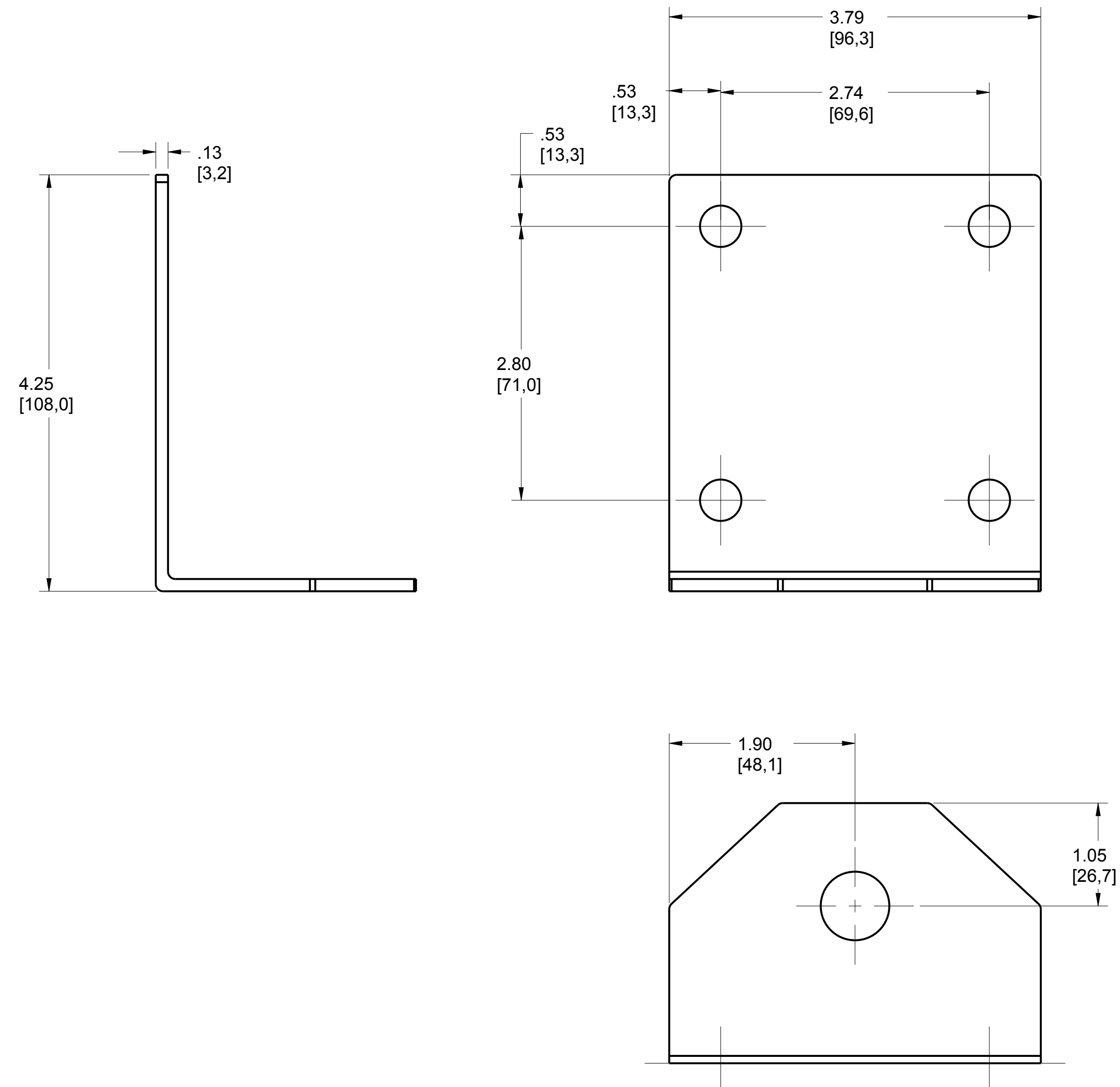
30 FT. (9.1 m) FOR OPTION WL3
40 FT. (12.2 m) FOR OPTION WL4



OPTION WL2 OR WN2 TYPE

<small>©2016 ROSEMOUNT INC. ROSEMOUNT INC. THESE DRAWINGS ARE IN ACCORDANCE WITH ROSEMOUNT ENGINEERING STANDARDS. UNLESS OTHERWISE SPECIFICALLY NOTED, ALL DIMENSIONS ARE IN INCHES (mm). UNLESS NOTED OTHERWISE. FURNISHED AGAINST THE NOTED P.O. UNLESS NOTED OTHERWISE. REFER TO THE PRODUCT SPECIFICATIONS FOR DATA SHEETS FOR PRODUCT SPECIFICATIONS. CLICK HERE</small>			<small>3RD ANGLE</small> 	<small>SIZE</small> D	<small>SCALE</small> NTS	
	TITLE ROSEMOUNT 1420 TYPE I DRAWING					
	<small>DR.</small> J. Armstrong	<small>3/16/16</small>	<small>DRAWING NO.</small>	01420-7001		
	<small>APP'D</small> A. RIEBEL	<small>3/15/16</small>	<small>CAD MAINTAINED, (PROE)</small>			<small>SHEET 2 OF 3</small>

SMART WIRELESS GATEWAY (REMOTE ANTENNA AND MOUNTING BRACKET)



©2016 ROSEMOUNT INC.
 THESE DRAWINGS ARE IN ACCORDANCE WITH ROSEMOUNT ENGINEERING SPECIFICATIONS. ALL DIMENSIONS REPRESENT THE EQUIPMENT FURNISHED AGAINST THE NOTED P.O. UNIT NOTES IN INCHES (mm).
 REFER TO ROSEMOUNT PRODUCT DATA SHEETS FOR PRODUCT SPECIFICATIONS.
 CLICK HERE

3RD ANGLE SIZE D SCALE NTS

EMERSON
 Process Management

TITLE
**ROSEMOUNT 1420
 TYPE I DRAWING**

DR. J. Armstrong	3/16/16	DRAWING NO.	01420-7001
APPD A. RIEBEL	3/15/16		
CAD MAINTAINED, (PROE)		SHEET 3 OF 3	