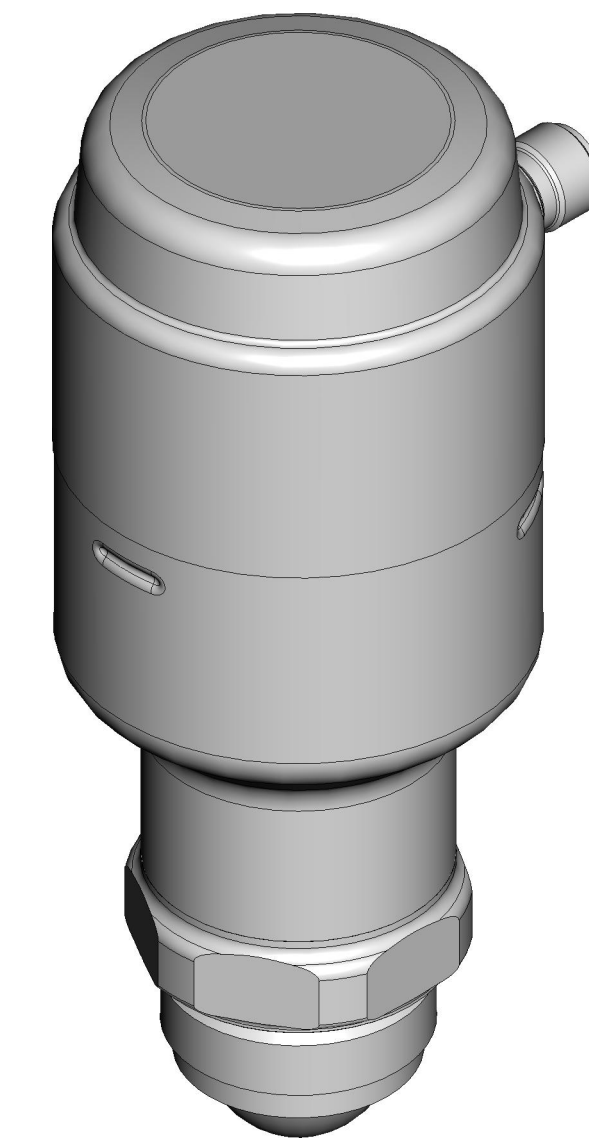
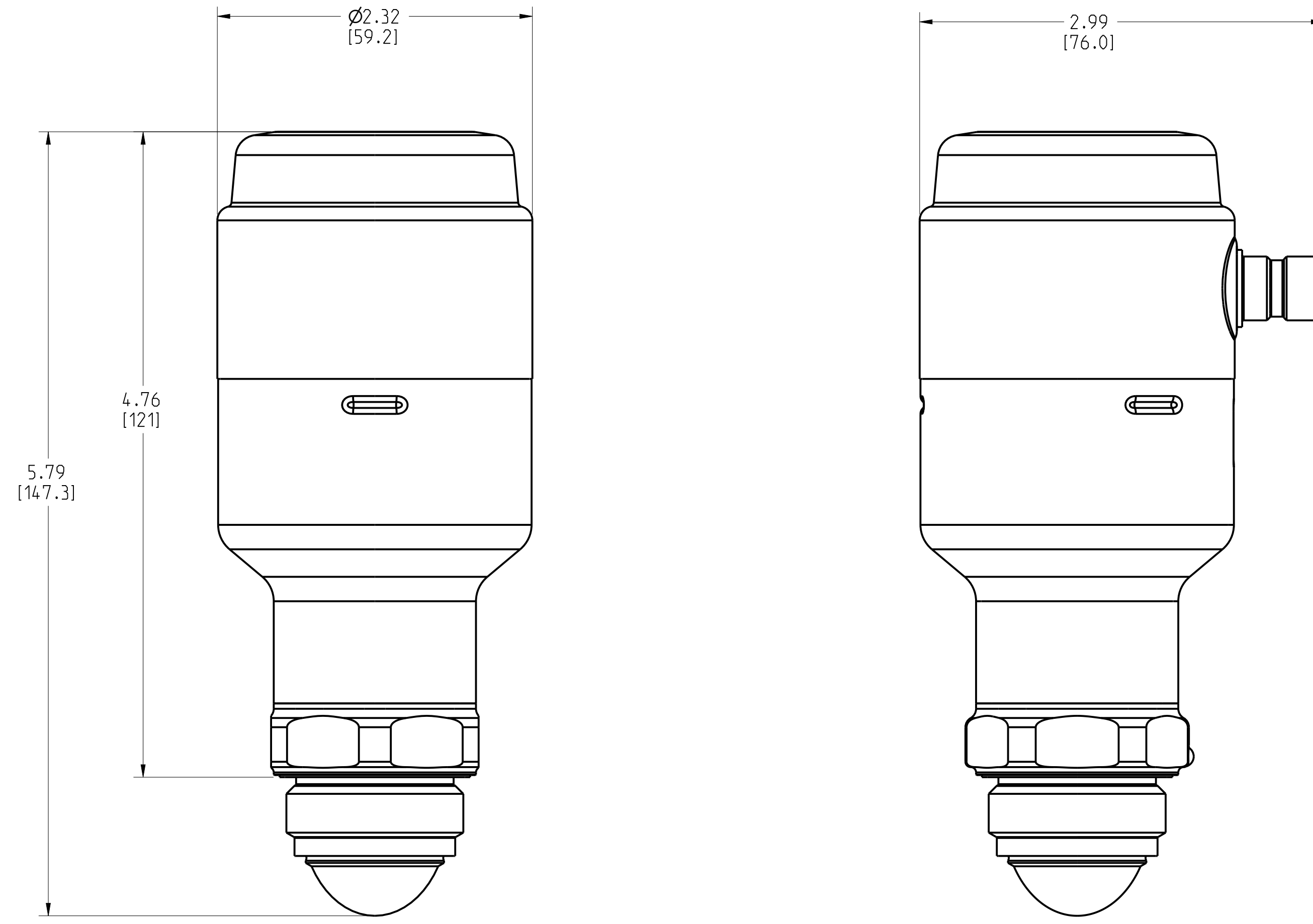


ROSEMOUNT 1408A LEVEL TRANSMITTER

REVISION TABLE			
REVISION	ECO NO.	APP'D	DATE
AA	RTC1077450	J. SANDAHL	6/2/21
DESCRIPTION			
NEW RELEASE			

LEVEL TRANSMITTER



PROCESS CONNECTION ADAPTERS ASSEMBLE TO TRANSMITTERS WITH G1 PROCESS CONNECTION

©2015 ROSEMOUNT, INC. ALL RIGHTS RESERVED. THIS DRAWING IS THE PROPERTY OF ROSEMOUNT, INC. AND IS TO BE USED IN ACCORDANCE WITH ROSEMOUNT ENGINEERING SPECIFICATIONS. UNIT NOTES IN INCHES (mm).

REFERENCE ROSEMOUNT PRODUCT SPECIFICATIONS FOR PRODUCT SPECIFICATIONS. CLICK HERE

3RD ANGLE SIZE D SCALE NTS

EMERSON

TITLE ROSEMOUNT 1408A TYPE I DRAWING

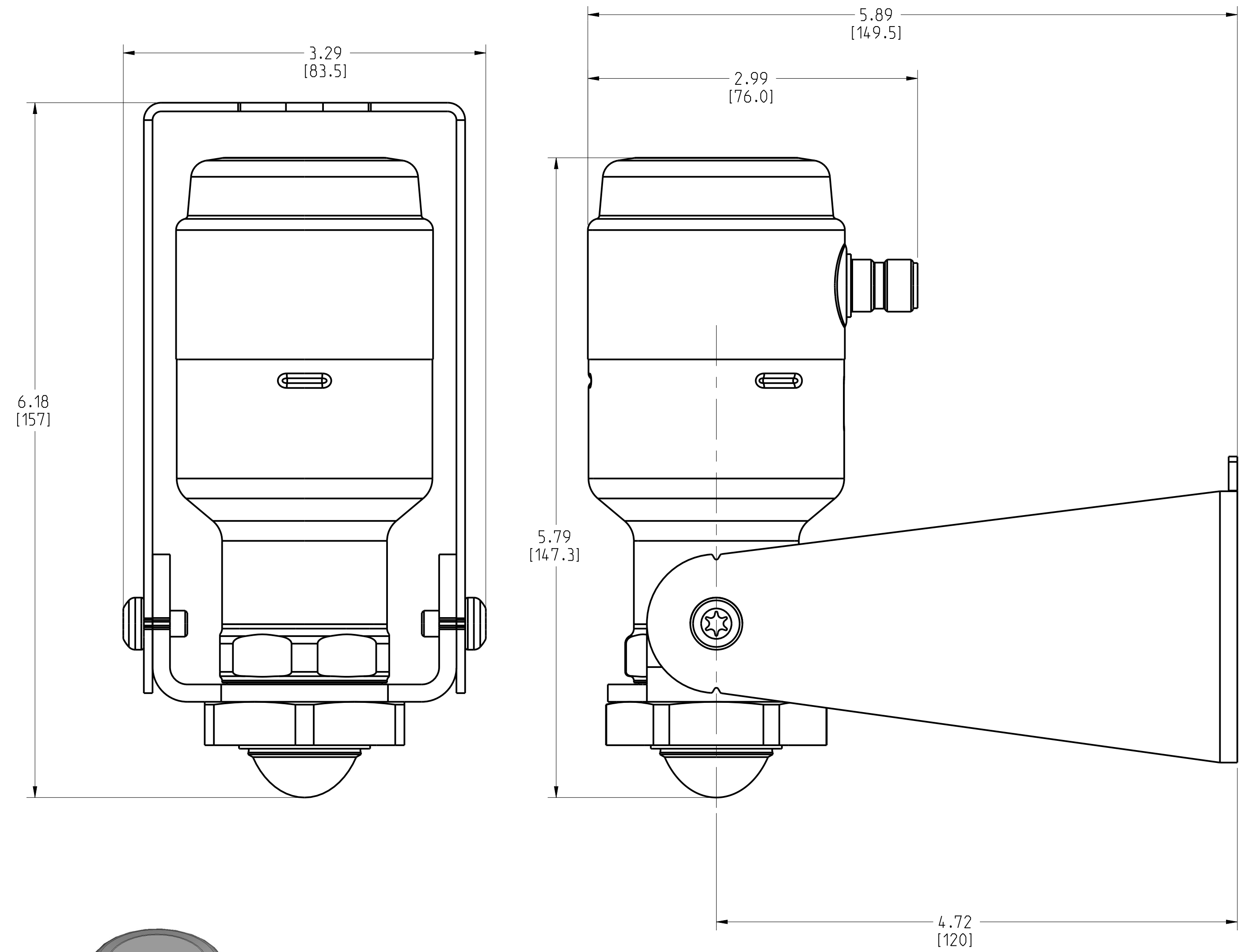
DR. J. ARMSTRONG 5/24/21 DRAWING NO. 01408-7001

APP'D J. SANDAHL 5/24/21

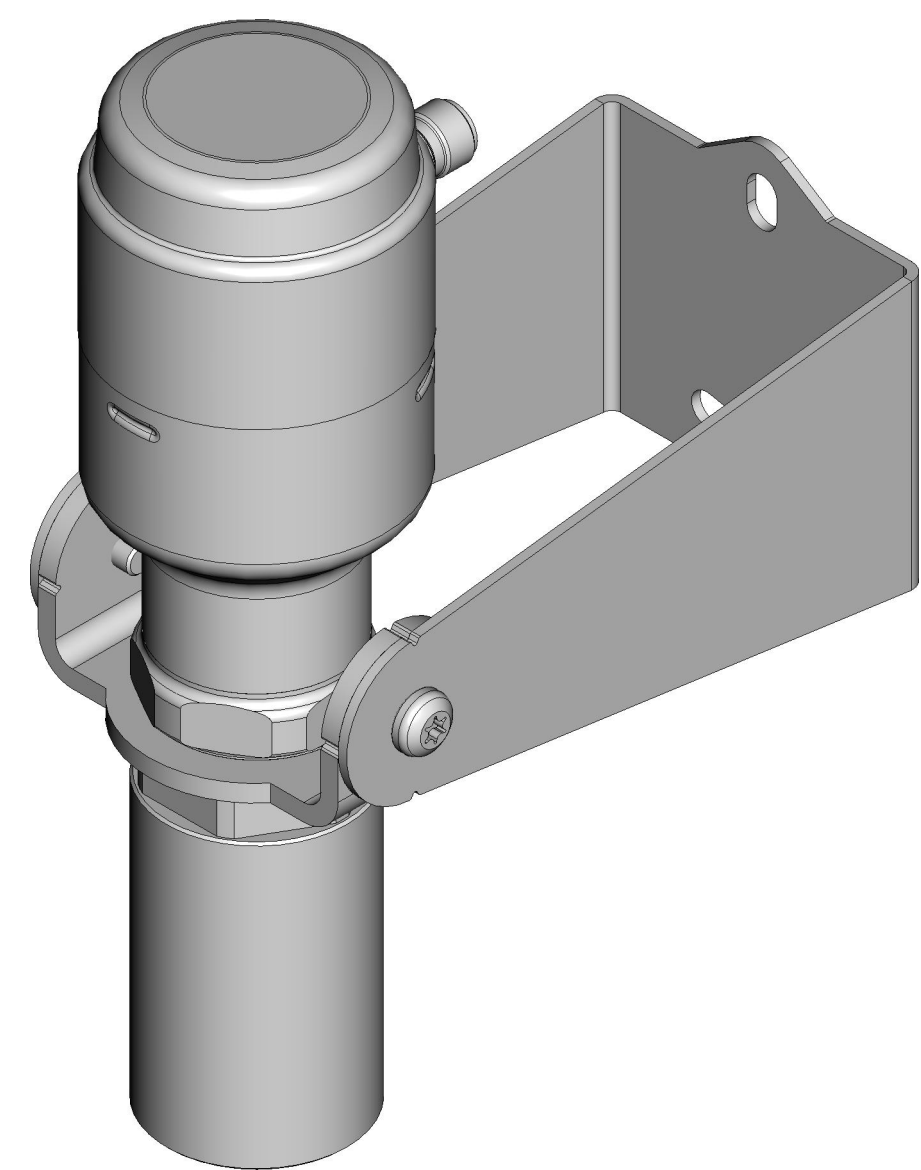
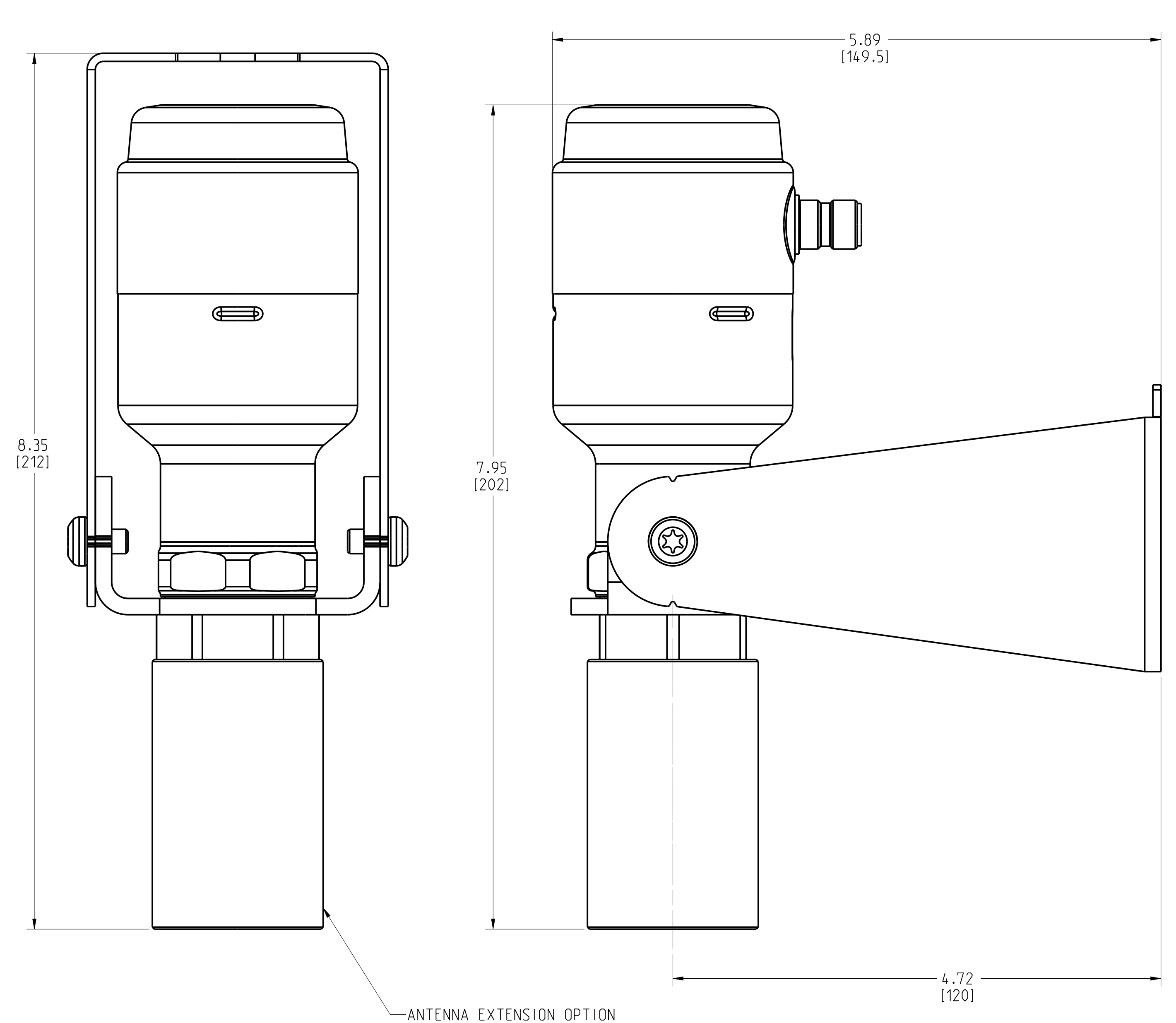
CAD MAINTAINED (PRO/EI) SHEET 1 OF 2

ROSEMOUNT 1408A LEVEL TRANSMITTER WITH MOUNTING BRACKET

LEVEL TRANSMITTER WITHOUT EXTENSION



LEVEL TRANSMITTER WITH EXTENSION FOR OPEN AIR INSTALLATIONS



©2015 ROSEMOUNT, INC. ALL RIGHTS RESERVED. THIS DRAWING IS THE PROPERTY OF ROSEMOUNT ENGINEERING. IT IS TO BE USED IN ACCORDANCE WITH THE SPECIFICATIONS AND NOTES IN THIS DRAWING. UNITS: INCHES (DIMENSIONS IN MILLIMETERS).

REFERENCE ROSEMOUNT PRODUCT SPECIFICATIONS FOR PRODUCT SPECIFICATIONS. CLICK HERE

EMERSON

TITLE: ROSEMOUNT 1408A TYPE I DRAWING

DR. J. ARMSTRONG 5/24/21 DRAWING NO. 01408-7001

APP'D J. SANDAHL 5/24/21

CAD MAINTAINED (PRO/EI) SHEET 2 OF 2

3RD ANGLE

SIZE D

SCALE NTS