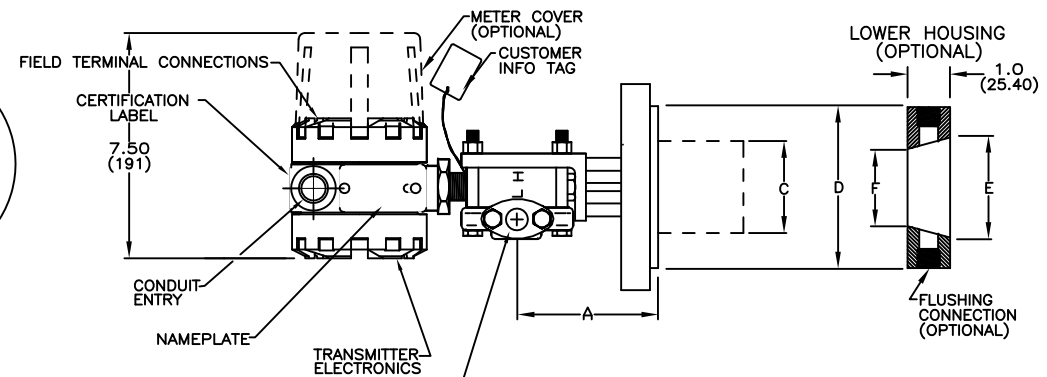
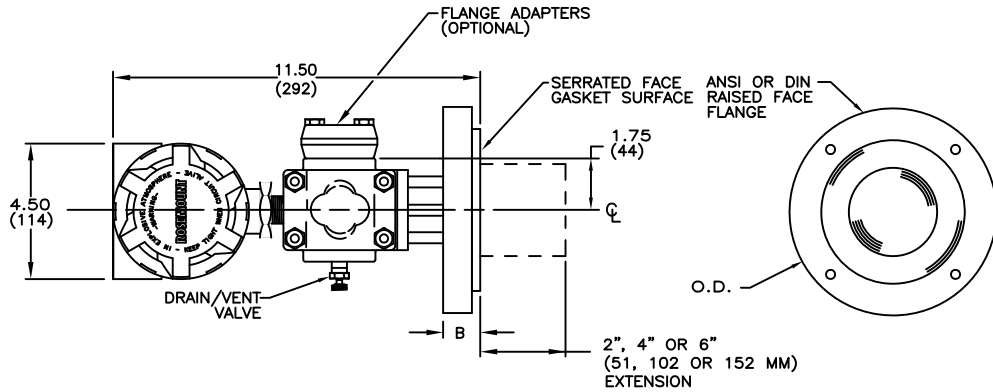


1151 LIQUID LEVEL TRANSMITTER

REVISIONS					
ZONE	REV	DESCRIPTION	CHG.NO.	APP'D	DATE
	A	INITIAL RELEASE	662539		
	AB	UPDATE TO TYPE I DRAWING	RTC1014516	B. HAGBOM	1/10/03



1/4-18 NPT PROCESS CONNECTION OR 1/4-14 NPT WITH OPTIONAL FLANGE ADAPTERS. ADAPTERS CAN BE ROTATED TO GIVE CONNECTION CENTERS 2.00(51), 2.125(54), 2.25(57)

TABLE 1

SIZE	RATING	FLANGE DIMENSIONS										BOLT HOLES				WEIGHT						LOWER HOUSING						
		O.D.		A		B		C		D		NO	DIA		HOLE CIRCLE DIA		FLUSH	2 (51MM) EXT		4 (102MM) EXT		6 (152MM) EXT		E		F		
		in.	mm	in.	mm	in.	mm	in.	mm	in.	mm		in.	mm	in.	mm		lb.	kg	lb.	kg	lb.	kg	lb.	kg	in.	mm	in.
2in.	150lb	6.00	152	4-1/4	108	1.12	28	NA	NA	3.75	95	4	3/4	19	4.75	121	20	9.0	NA	NA	NA	NA	NA	NA	2.90	74	2.16	55
3in.	150lb	7.50	191	4-1/4	108	1.31	33	2.58	65	5.00	127	4	3/4	19	6.00	152	23	10.4	25	11.3	26	11.7	27	12.2	3.11	79	3.11	79
4in.	150lb	9.00	229	4-3/8	111	1.31	33	3.50	89	6.81	173	8	3/4	19	7.50	191	29	13.1	32	14.4	34	15.3	36	16.3	4.06	103	4.06	103
2in.	300lb	6.50	165	4-3/8	111	1.25	32	NA	NA	3.75	95	8	3/4	19	5.00	127	31	14.0	33	15.0	34	15.3	35	15.9	2.90	74	2.16	55
3in.	300lb	8.25	209	4-1/4	108	1.50	38	2.58	65	5.00	127	8	7/8	22	6.63	168	28	12.6	30	13.6	31	14.0	32	14.4	3.11	79	3.11	79
4in.	300lb	10.00	254	4-3/8	111	1.62	41	3.50	89	6.81	173	8	7/8	22	7.88	200	38	17.2	41	18.5	43	19.4	45	20.4	4.06	103	4.06	103
2in.	600lb	6.50	165	4-3/8	111	1.12	28	NA	NA	3.75	95	8	3/4	19	5.00	127	31	14.0	33	15.0	34	15.3	35	15.9	2.90	74	2.16	55
3in.	600lb	6.62	168	4-3/8	111	1.37	35	2.58	65	5.00	127	8	7/8	22	6.63	168	31	14.0	33	15.0	34	15.3	35	15.9	3.11	79	3.11	79
DN50	PN40	-	165	-	108	-	26	-	NA	-	95	4	-	18	-	125	-	-	-	-	-	-	-	-	-	74	-	55
DN80	PN40	-	200	-	108	-	30	-	65	-	127	8	-	18	-	160	-	-	-	-	-	-	-	-	-	79	-	79
DN100	PN40	-	235	-	111	-	30	-	89	-	173	8	-	22	-	190	-	-	-	-	-	-	-	-	-	103	-	103
DN100	PN16	-	220	-	111	-	26	-	89	-	173	8	-	18	-	180	-	-	-	-	-	-	-	-	-	103	-	103

Product Discontinued

<p>*UNLESS OTHERWISE SPECIFIED DIMENSIONS IN INCHES (MM)</p> <p>*ALL DIMENSIONS ARE NOMINAL AND ARE FOR REFERENCE ONLY</p>	TYPE I		ROSEMOUNT INC. CHANHASSEN, MINNESOTA		
	DR. JOHN ARMSTRONG	1/7/03	TITLE		
	APP'D. DRAWING N. HAYWOOD	1/7/03	DIMENSIONAL DRAWING FOR MODEL 1151LT PRESSURE TRANSMITTER		
	APP'D. DRAWING		SIZE	FSCM.NO.	DRAWING NO.
	APP'D. TAGGING		A	04274	01151-0471
APP'D. SPECIALS		SCALE: NONE	WT.	SHEET 1 OF 1	