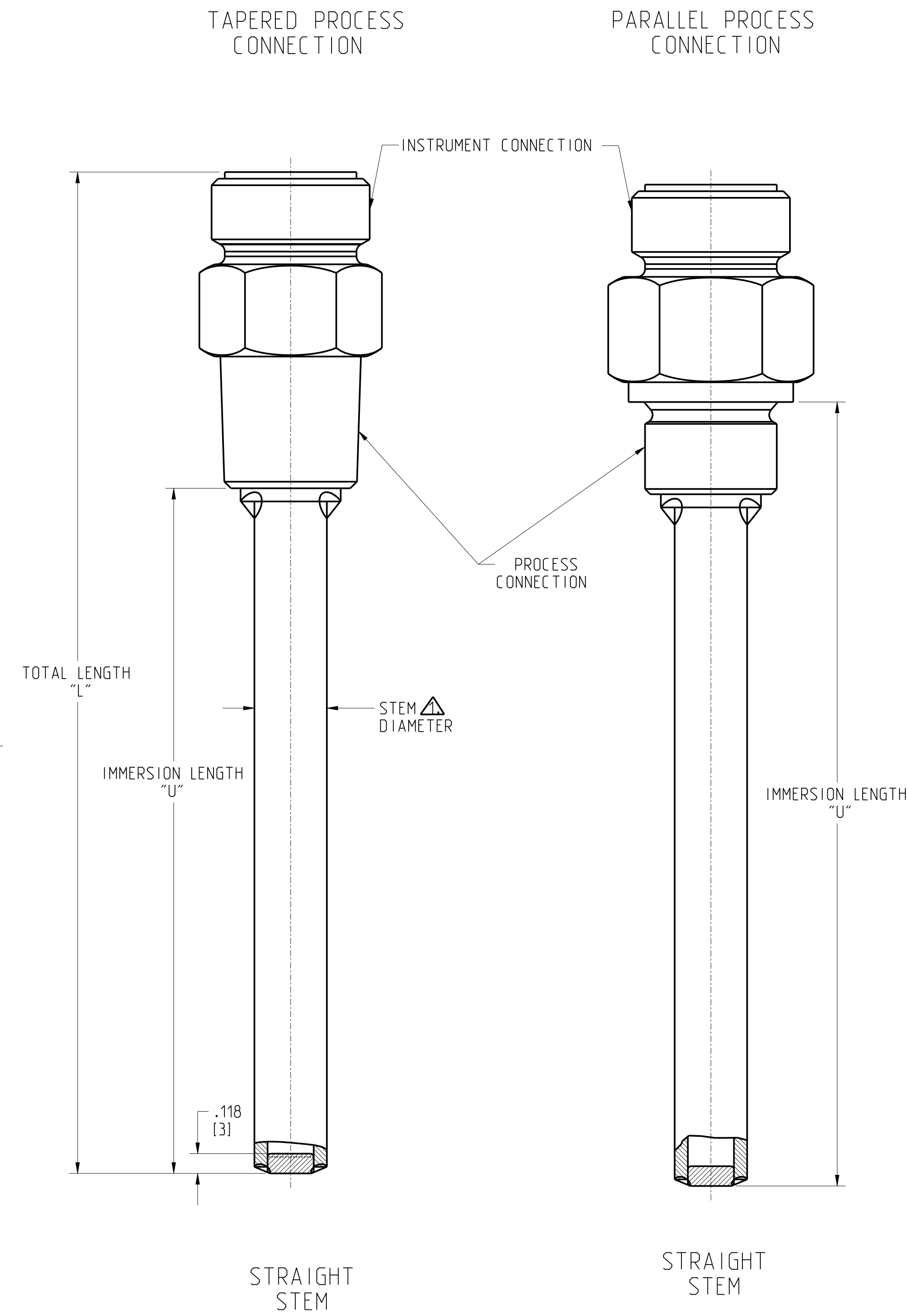


ROSEMOUNT 114P PROTECTION TUBE

ROSEMOUNT 114P PROTECTION TUBE

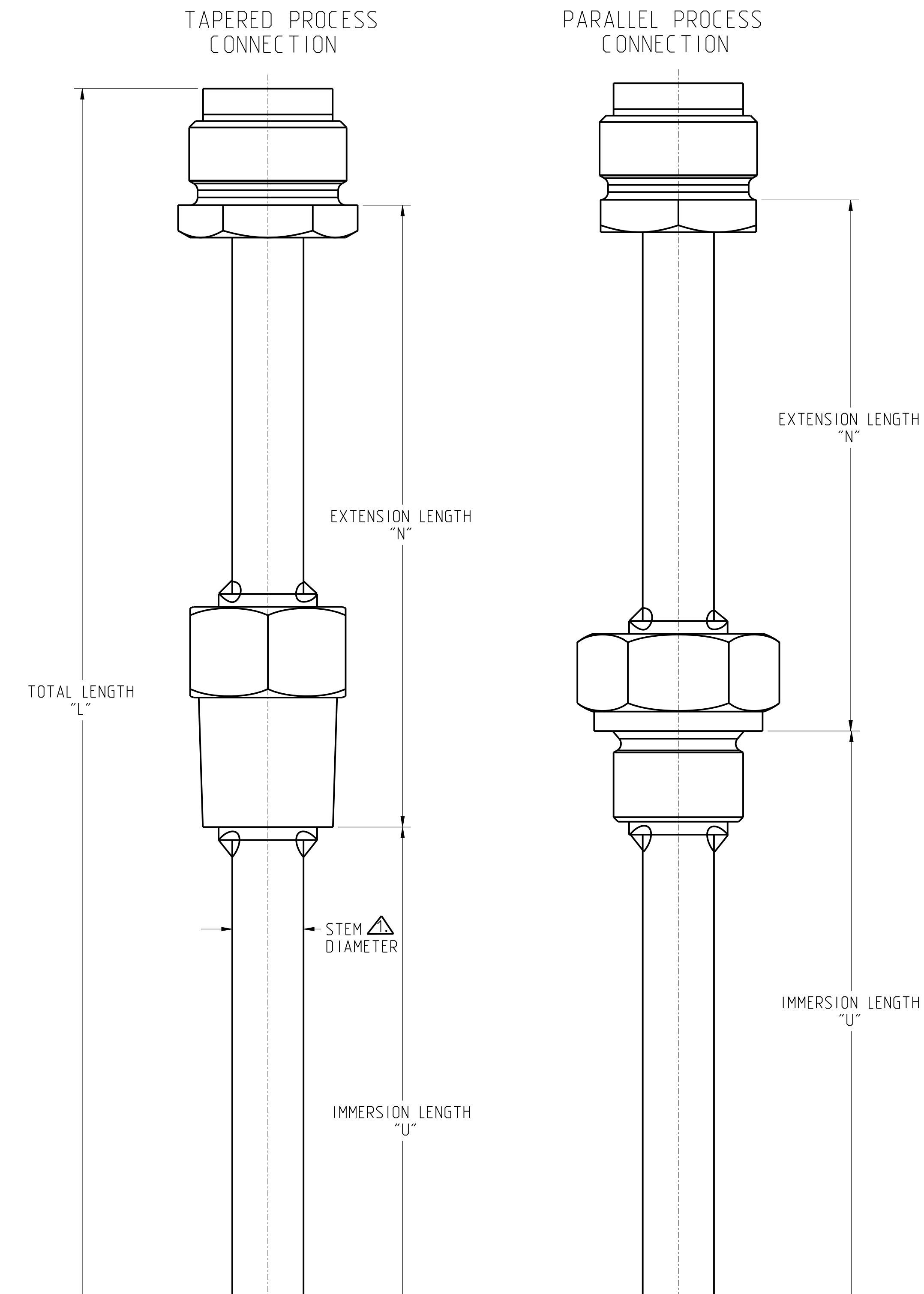
THREAD MOUNTING STYLE

REVISION TABLE			
REVISION	ECO NO.	APP'D	DATE
AA	RTC1079400	Z. KAISER	7/7/22
DESCRIPTION			
NEW RELEASE			

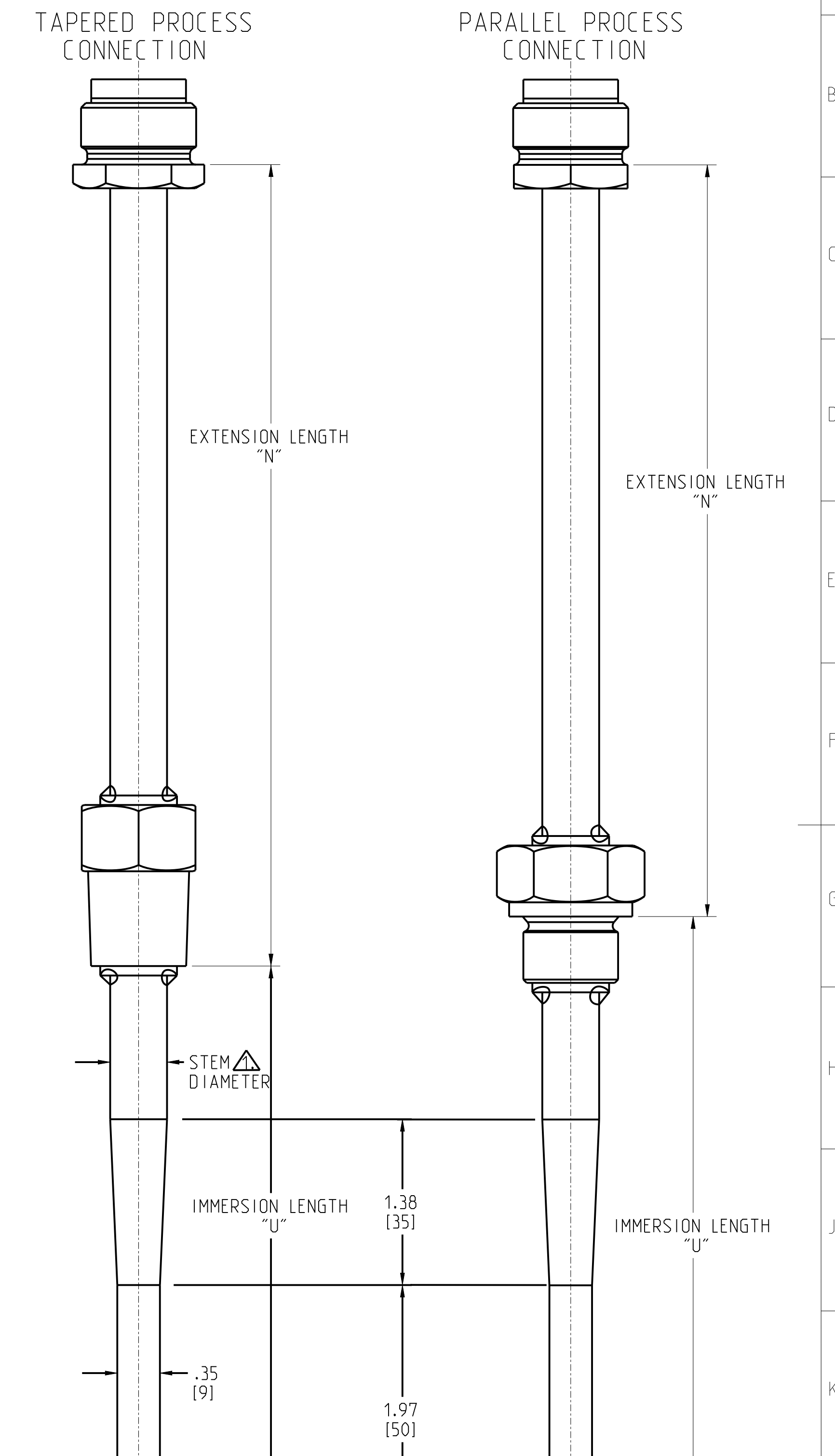


WITHOUT EXTENSION

- NOTES:
- AVAILABLE STEM DIAMETERS (OD X WALL THICKNESS)
 -STRAIGHT STEM: 9X1, 11X2
 -NAMUR STEPPED STEM: 12X2.5



WITH EXTENSION



WITH EXTENSION

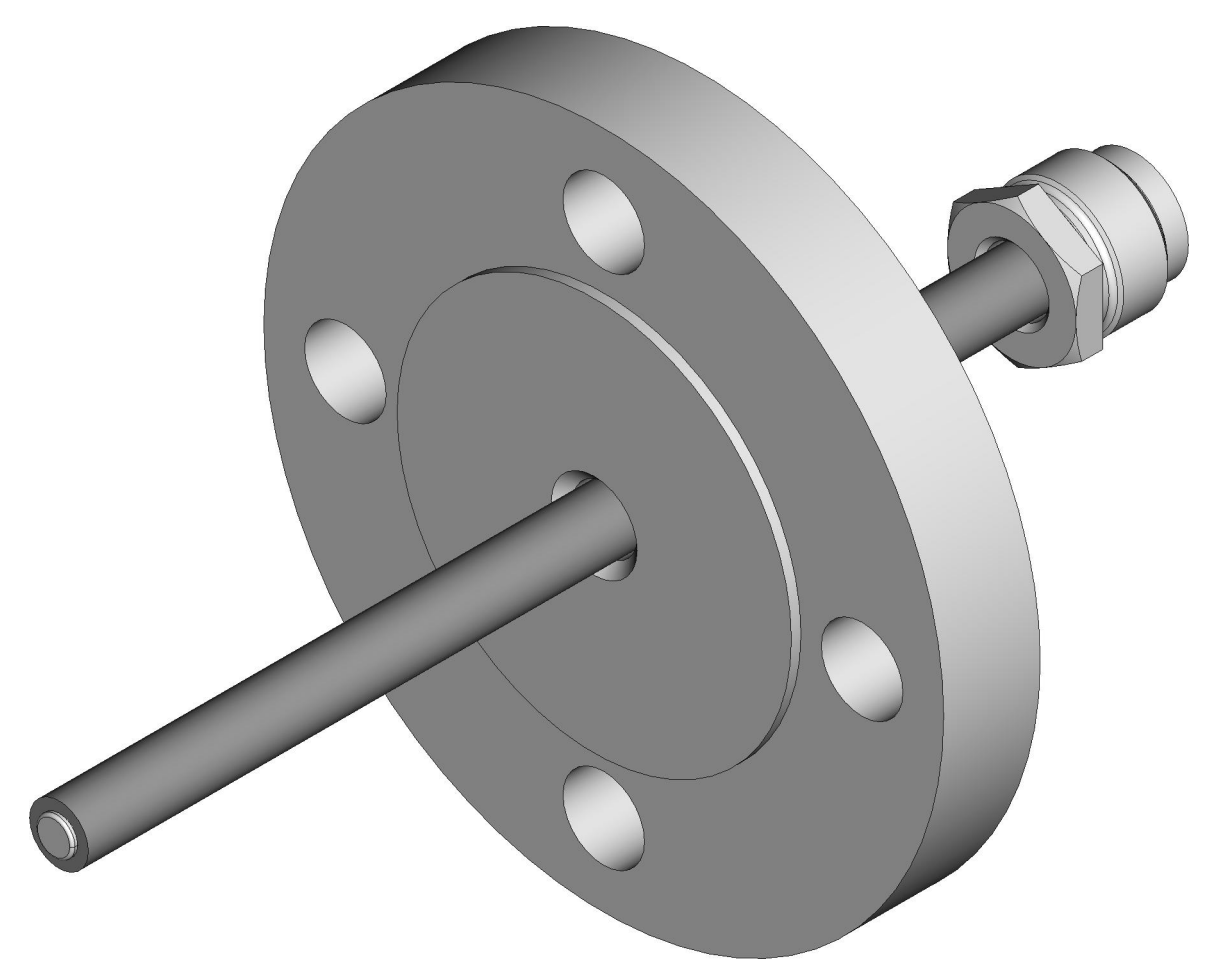
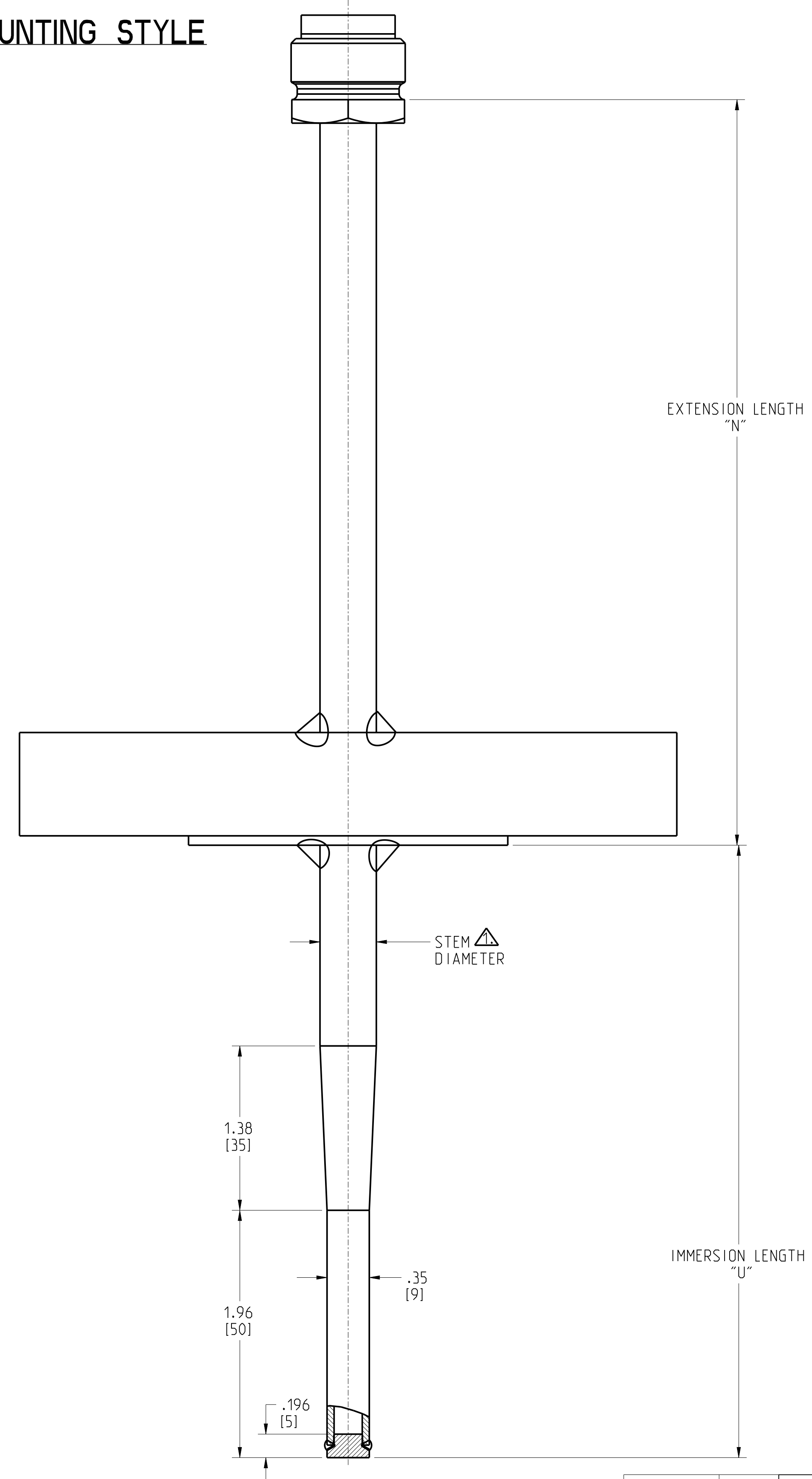
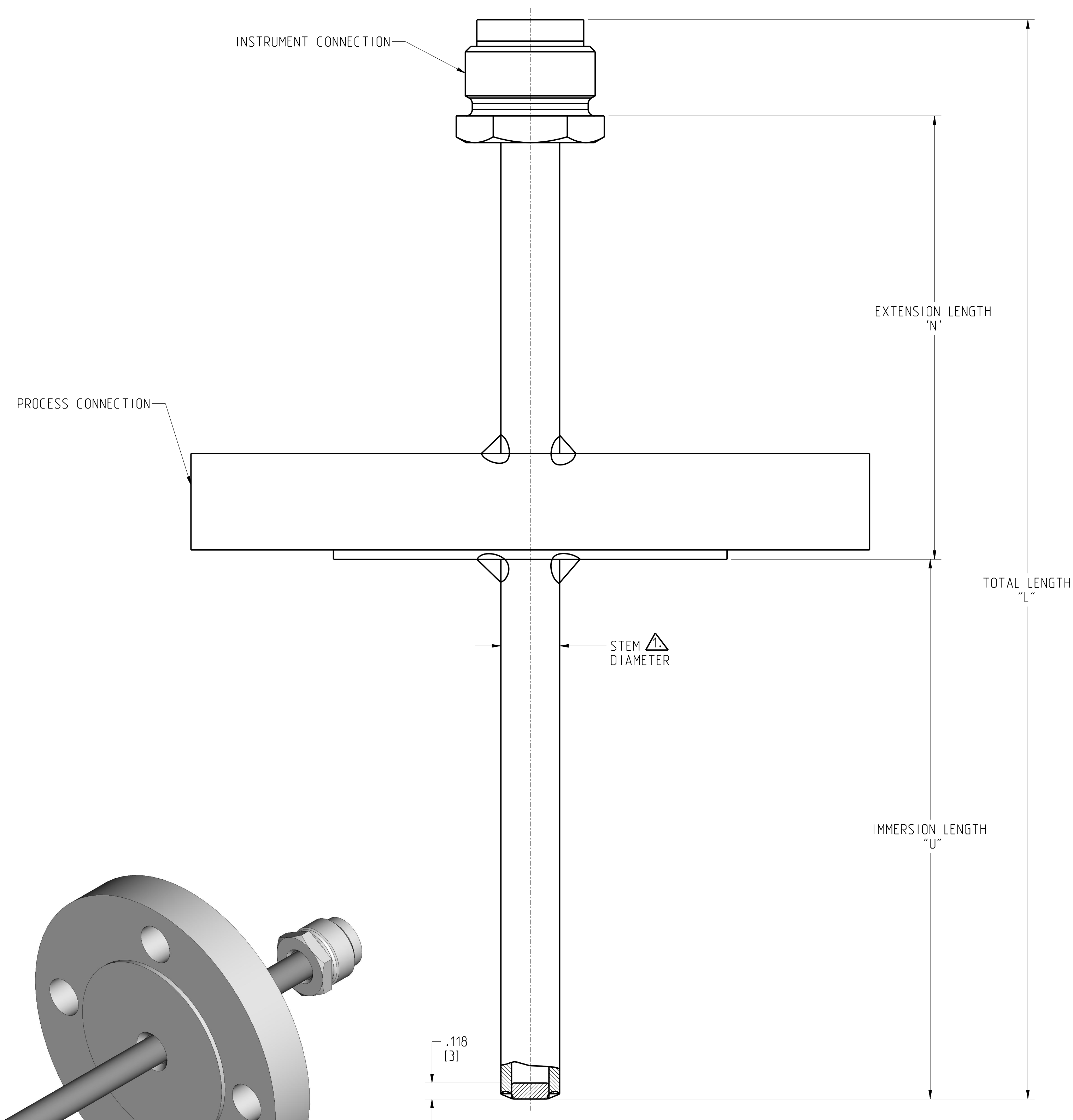
©2015 ROSEMOUNT, INC. ROSEMOUNT INC. ACCEPTS THIS LIABILITY IN ACCORDANCE WITH ROSEMOUNT ENGINEERING SPECIFICATIONS. REFERENCE ROSEMOUNT PRODUCT SHEETS FOR PRODUCT SPECIFICATIONS. UNIT NOTES IN INCHES (mm).

EMERSON
 TYPE I DRAWING

DR. J. ARMSTRONG	7/7/22	DRAWING NO.	00114-7003
APP'D Z. KAISER	7/7/22		
CAD MAINTAINED (PRO/E)		SHEET 1 OF 3	

ROSEMOUNT 114P PROTECTION TUBE

FLANGE MOUNTING STYLE



STRAIGHT STEM

NAMUR STEPPED STEM

WITH EXTENSION

©2015 ROSEMOUNT, INC.
ROSEMOUNT INCORPORATES
THIS INFORMATION IN
ACCORDANCE WITH
ROSEMOUNT ENGINEERING
SPECIFICATIONS.
UNIT NOTES IN INCHES (mm).
REFERENCE ROSEMOUNT
PRODUCT SPECIFICATIONS FOR
PRODUCT SPECIFICATIONS.
CLICK HERE

		3RD ANGLE		SIZE D	SCALE NTS
114P ROSEMOUNT PROTECTION TUBES TYPE I DRAWING					
DR. J. ARMSTRONG	7/7/22	DRAWING NO.		00114-7003	
APP'D Z. KAISER	7/7/22				
CAD MAINTAINED: (PRO/E)				SHEET 2 OF 3	

ROSEMOUNT 114P PROTECTION TUBE

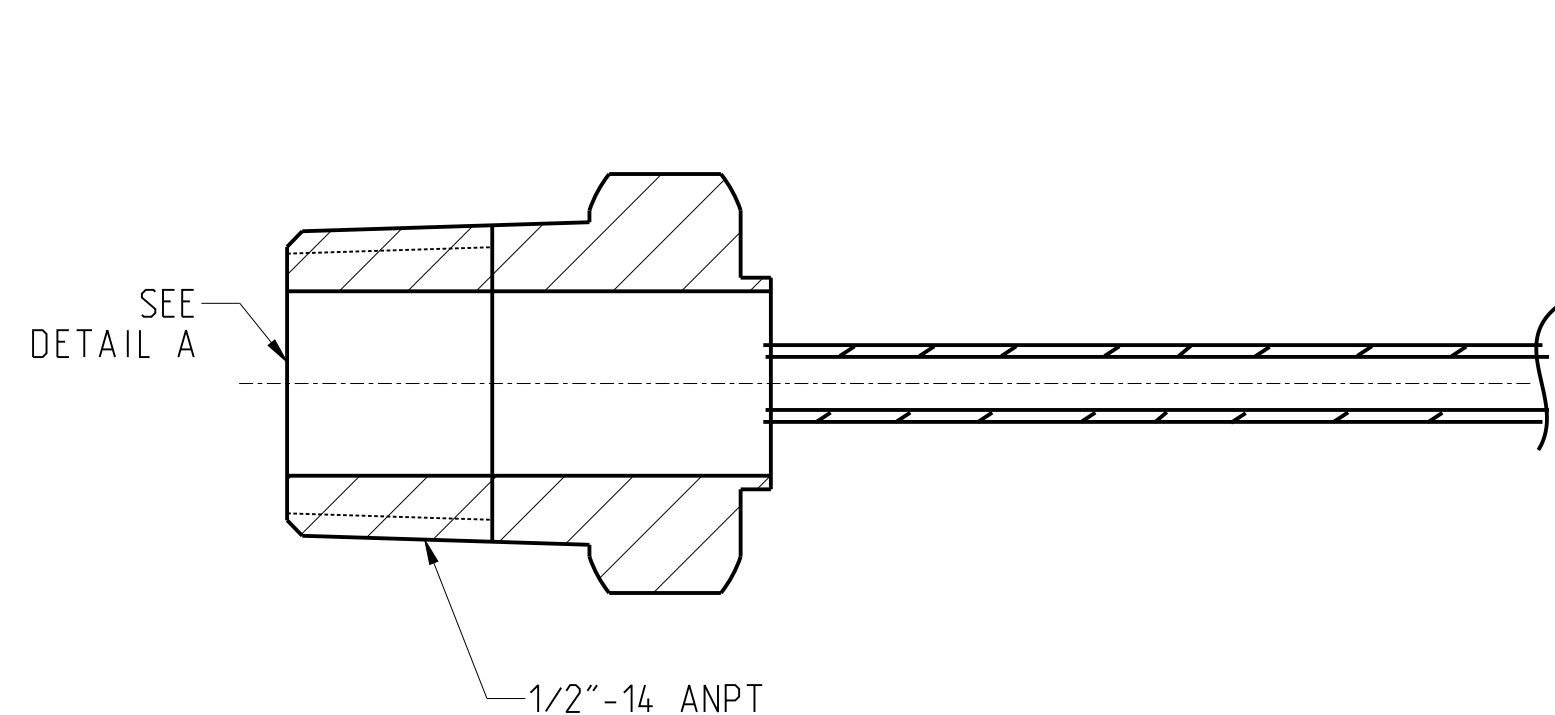
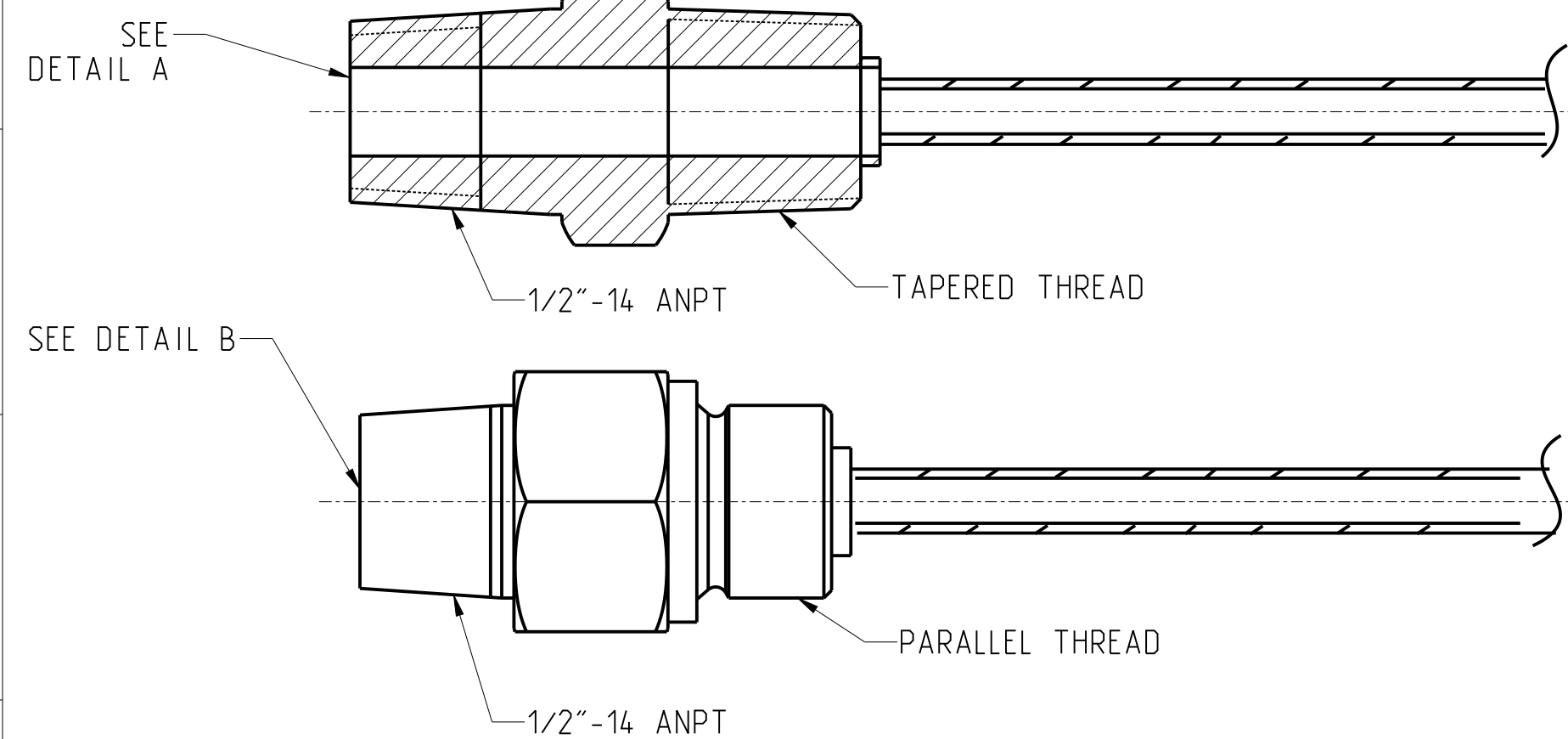
INSTRUMENT CONNECTION THREADS

NO EXTENSION

WITH EXTENSION

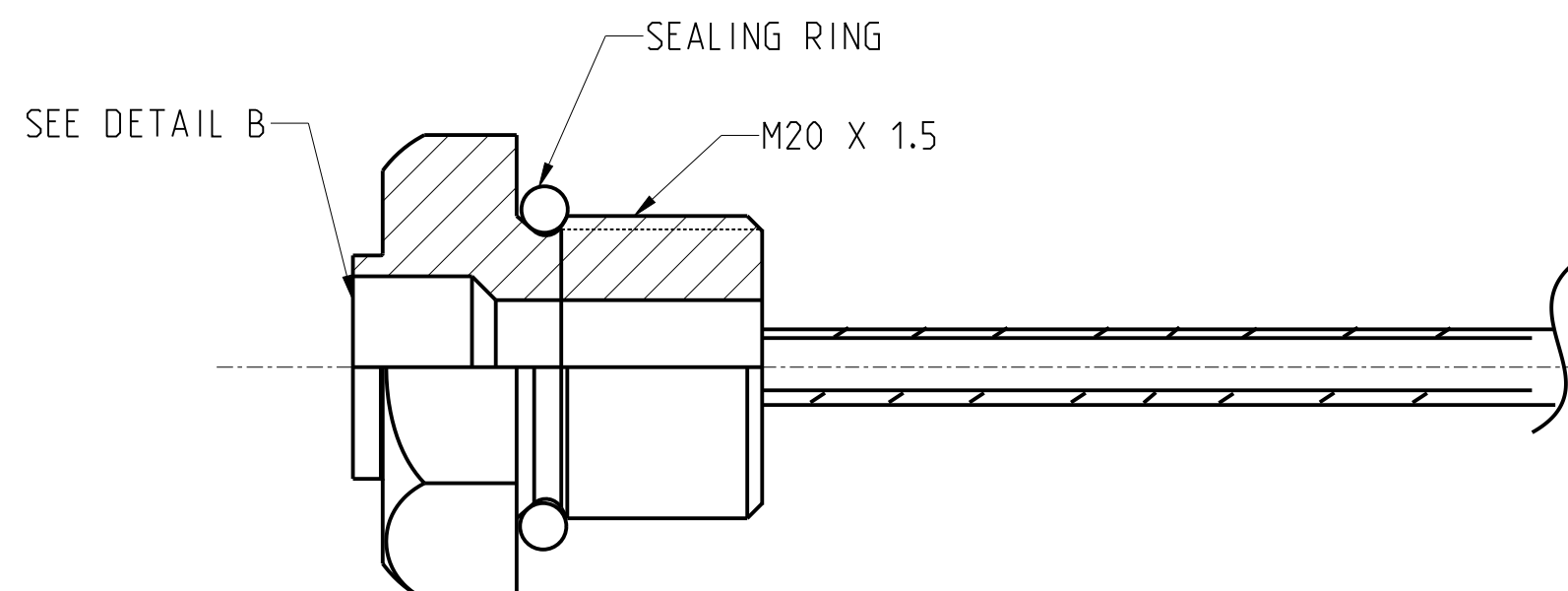
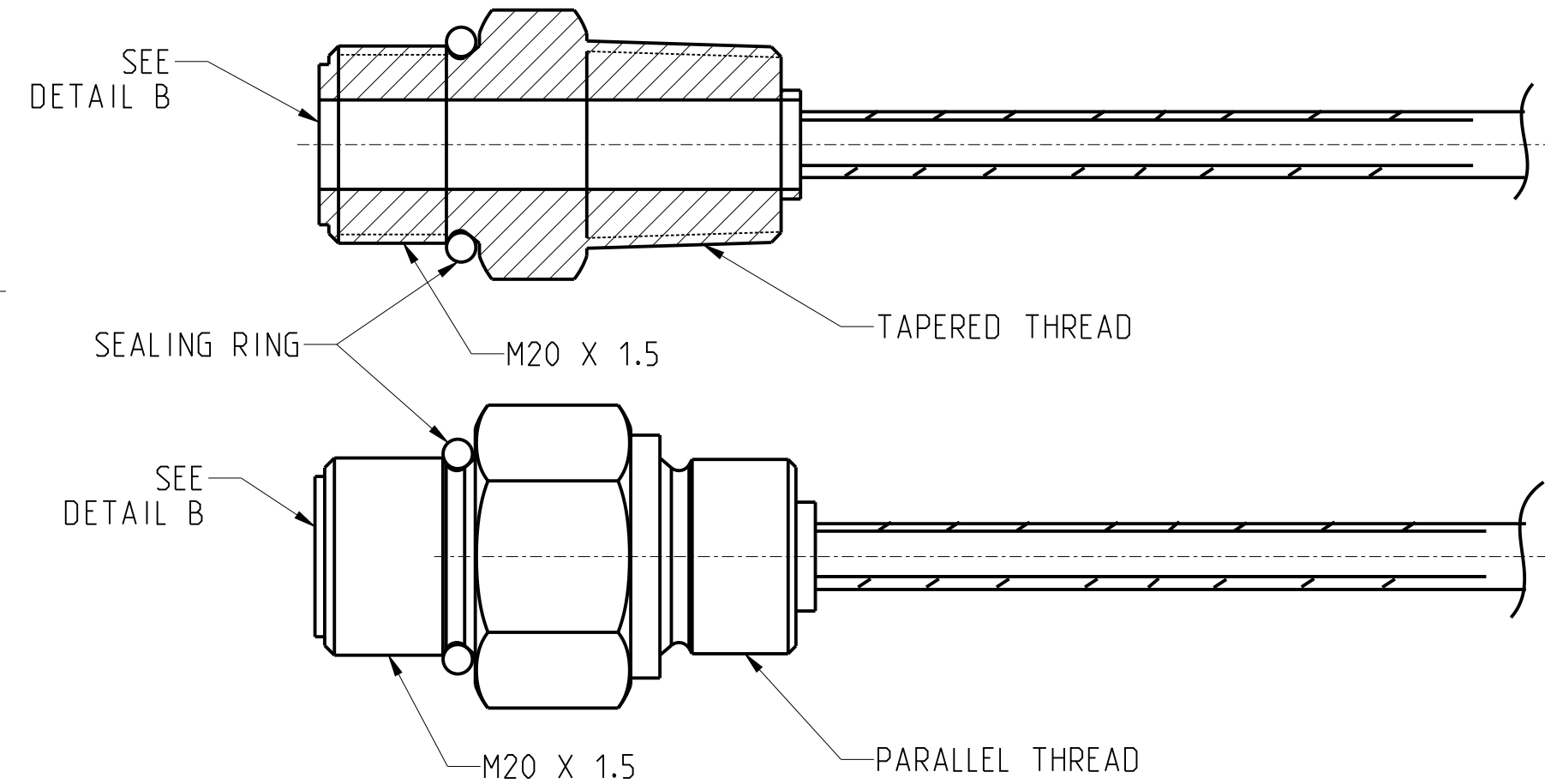
CODE A

CODE A



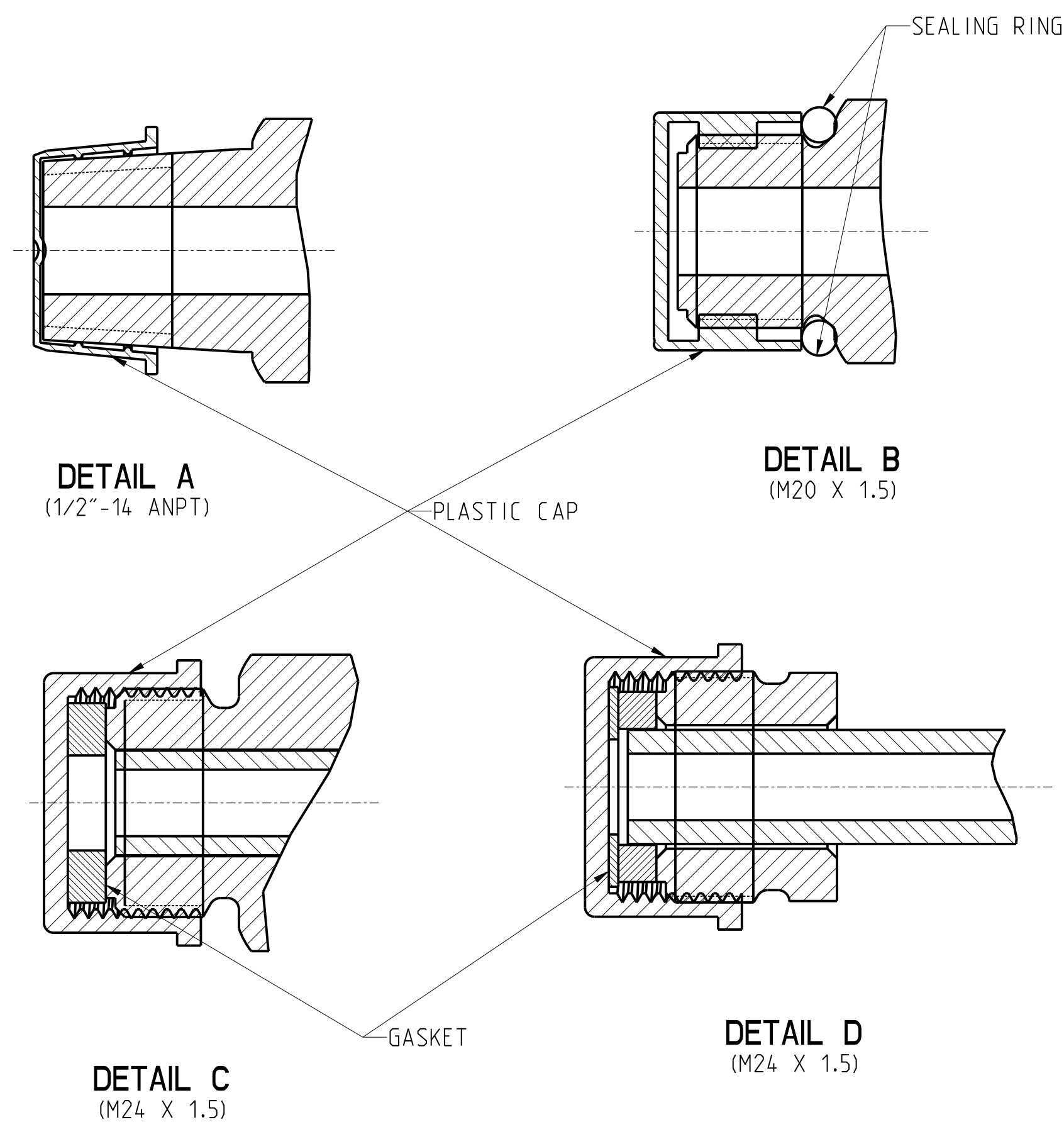
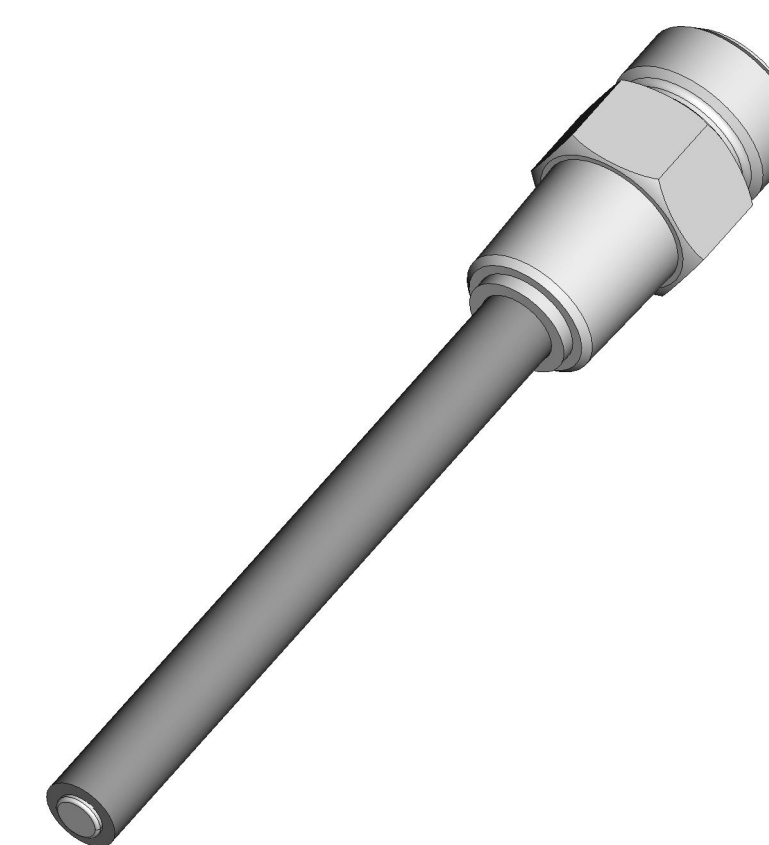
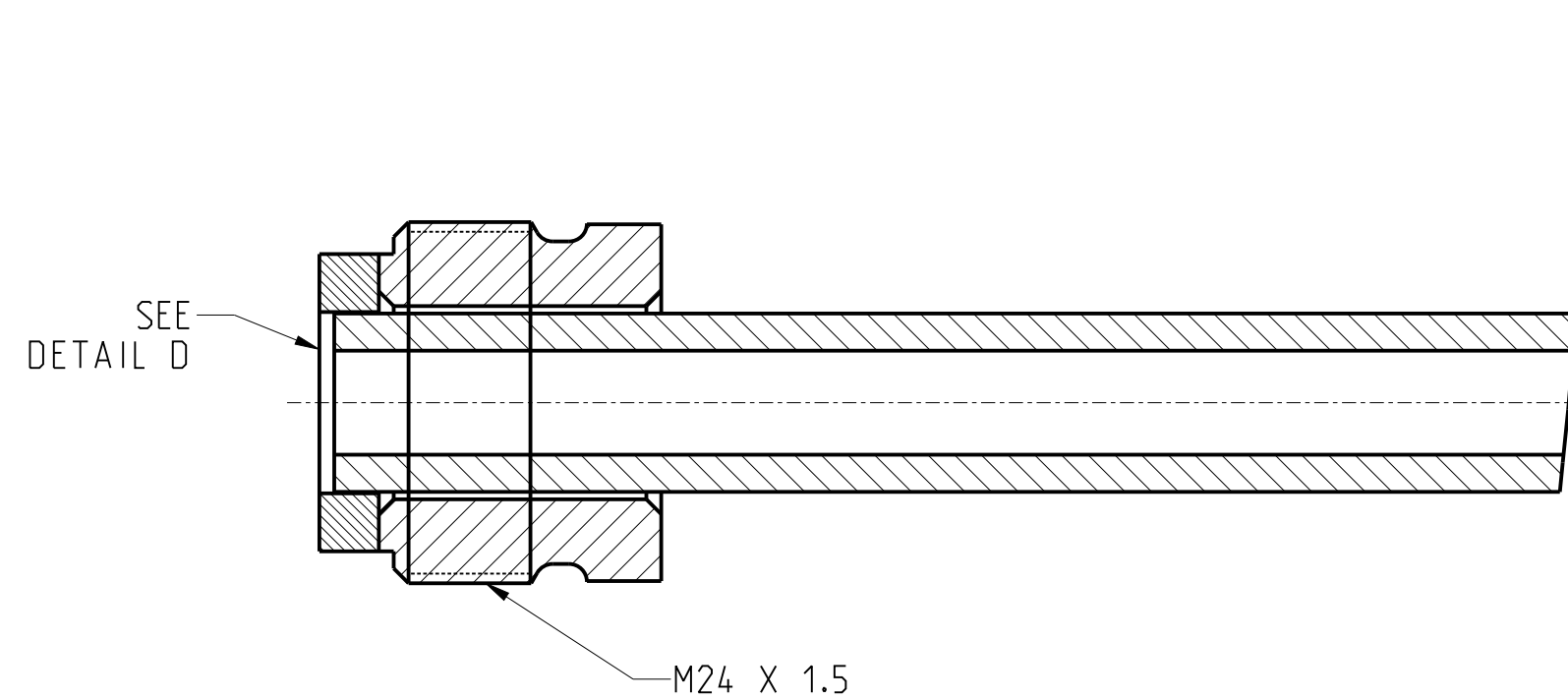
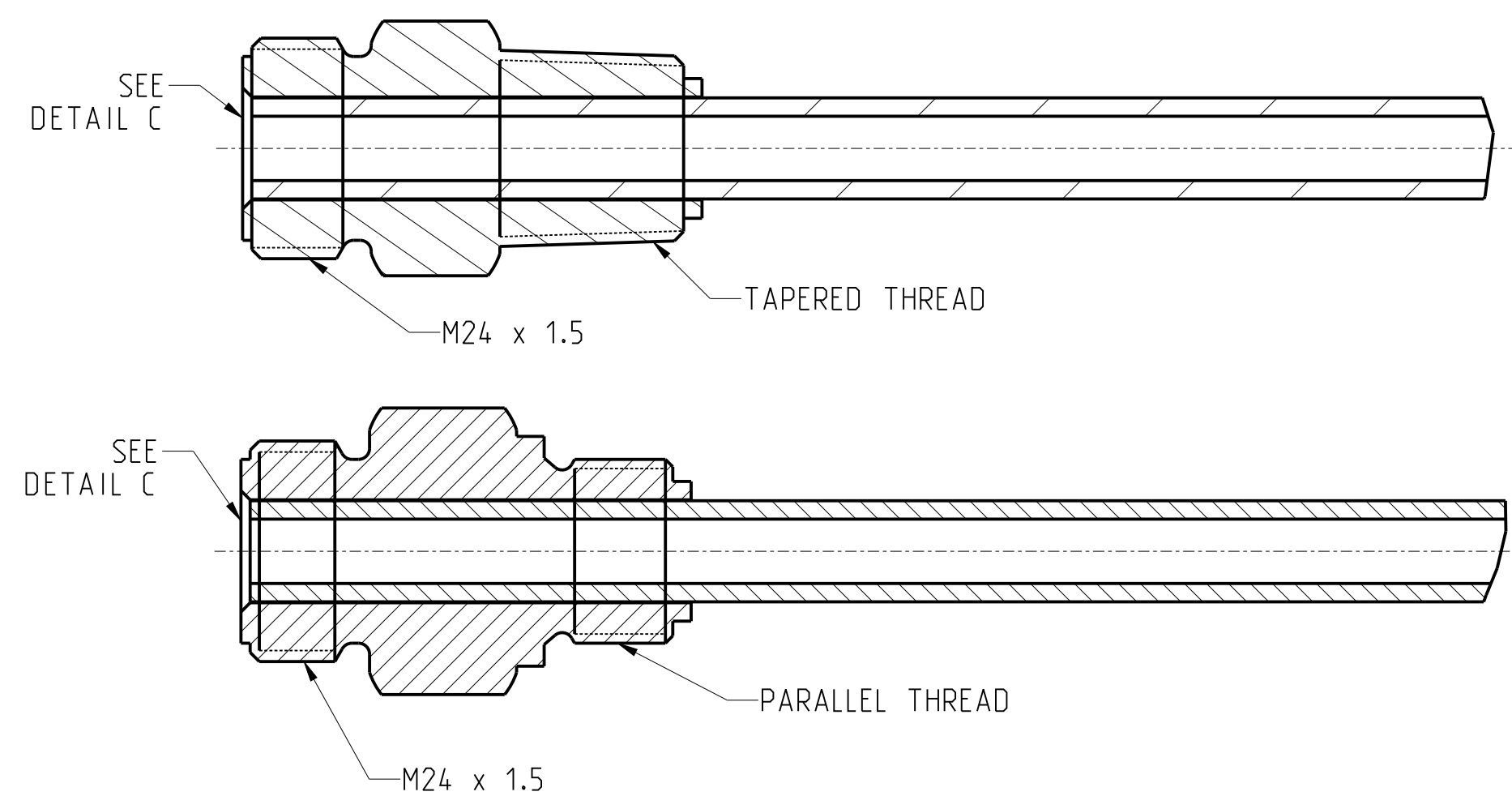
CODE E

CODE E



CODE F

CODE F



©2015 ROSEMOUNT, INC. ROSEMOUNT INCORPORATES THIS INFORMATION IN THIS ACCORDANCE WITH ROSEMOUNT ENGINEERING SPECIFICATIONS. UNIT NOTES IN INCHES (mm).

REFERENCE ROSEMOUNT PRODUCT SHEETS FOR PRODUCT SPECIFICATIONS. CLICK HERE

EMERSON

114P ROSEMOUNT PROTECTION TUBES TYPE I DRAWING

DR. J. ARMSTRONG 7/7/22 DRAWING NO. 00114-7003

APP'D Z. KAISER 7/7/22

CAD MAINTAINED (PRO/EI) SHEET 3 OF 3