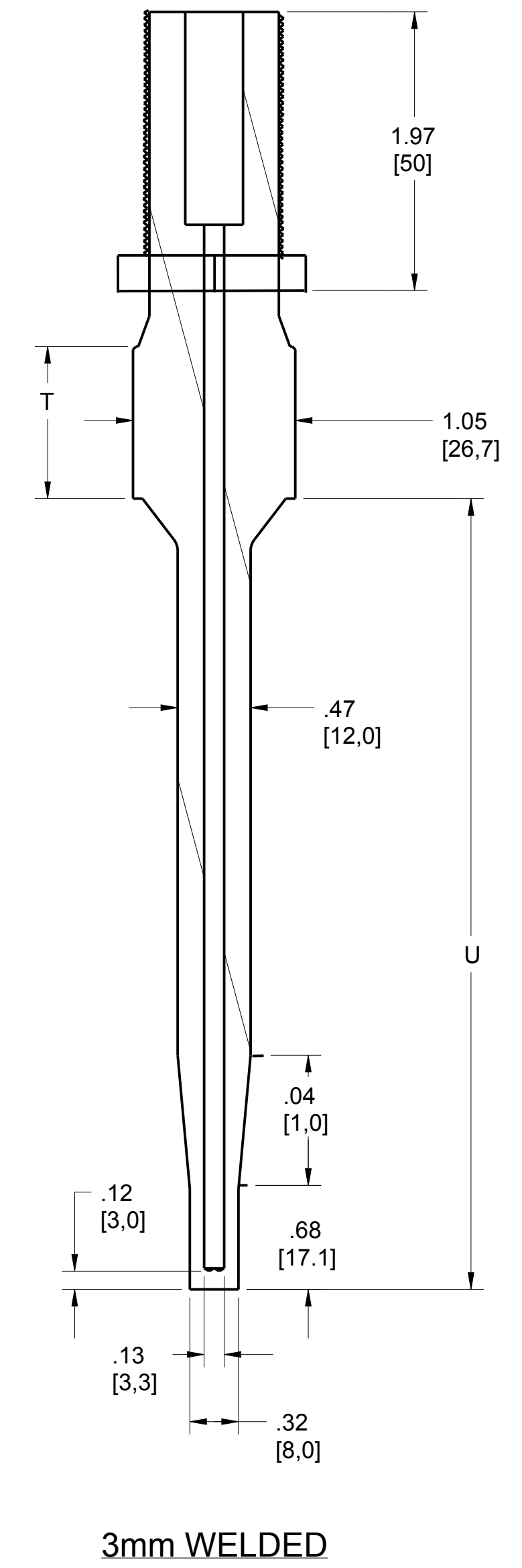
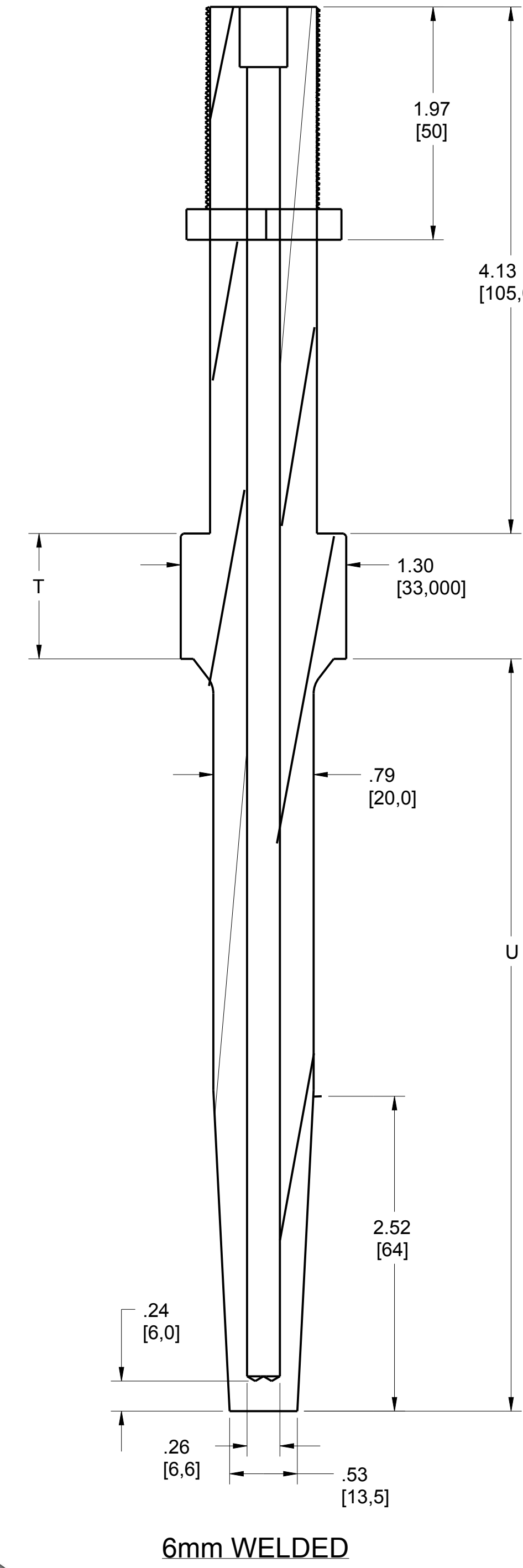
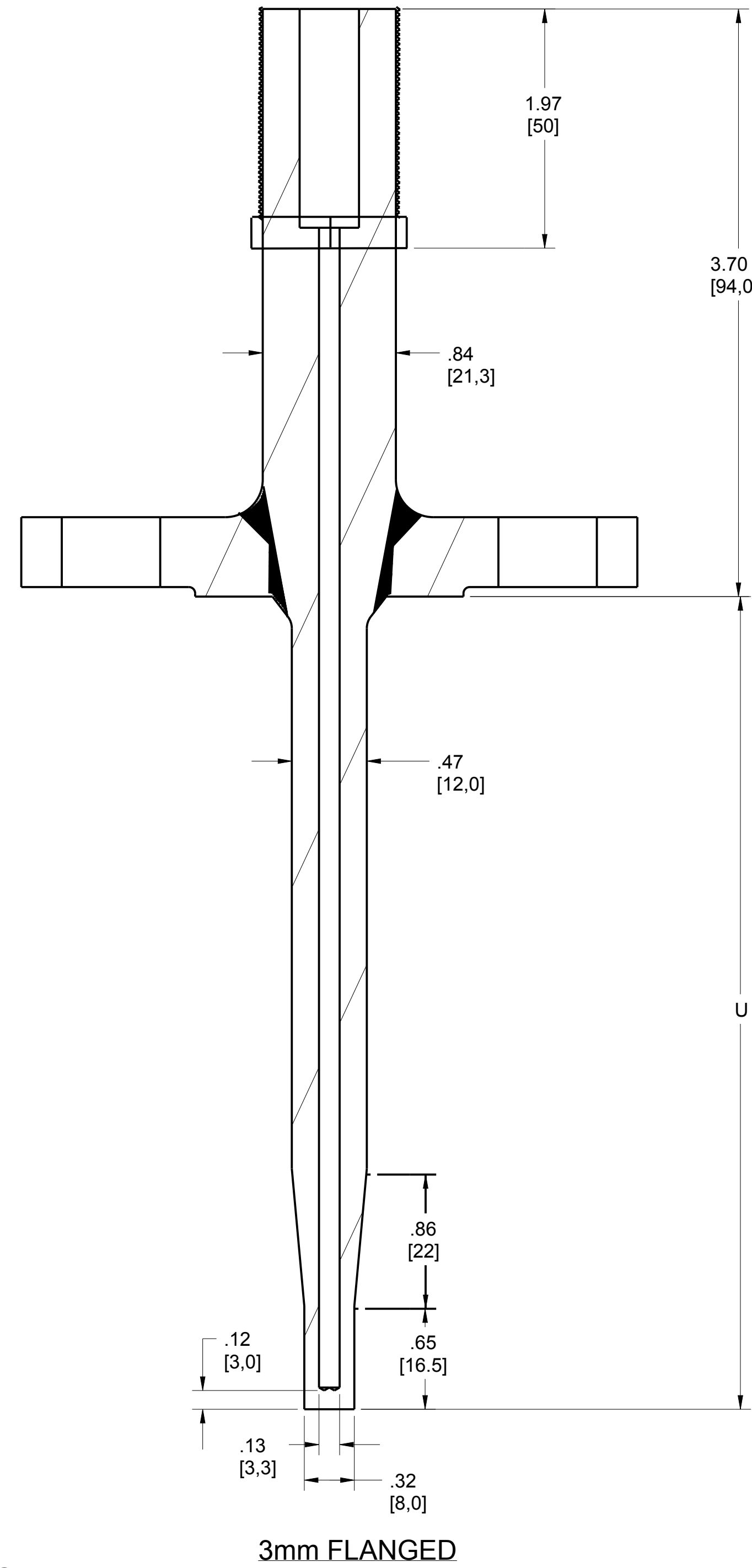
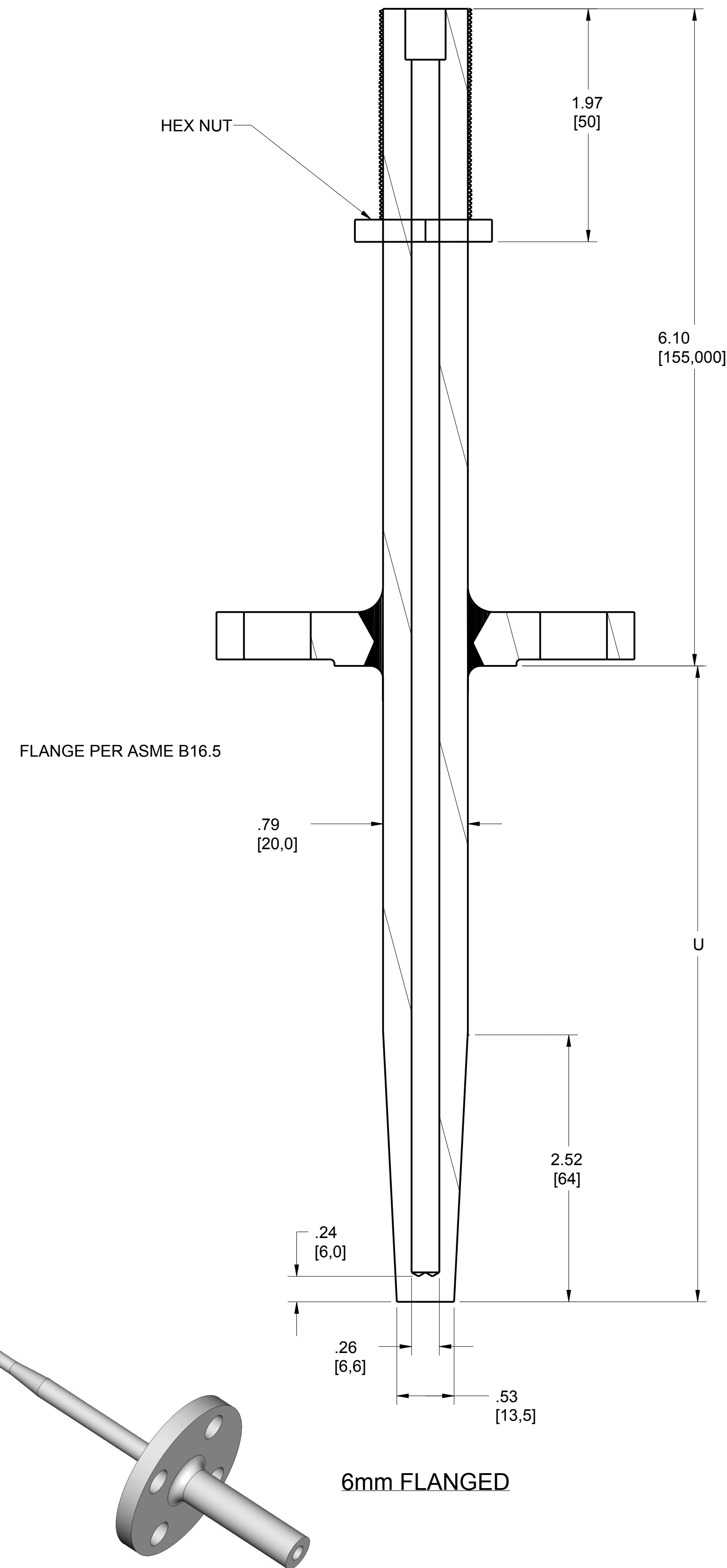


ROSEMOUNT 1097 BARSTOCK THERMOWELLS

REVISION TABLE			
REVISION	ECO NO.	APP'D	DATE
AA	RTC1071799	T. BONKAT	10/18/18
DESCRIPTION			
NEW RELEASE			

FLANGE BARSTOCK THERMOWELLS

WELDED BARSTOCK THERMOWELLS



T=LAGGING LENGTH
U=IMMERSION LENGTH

©2015 ROSEMOUNT INC.
ROSEMOUNT INC. CERTIFIES
THIS DRAWING IS MADE IN
ACCORDANCE WITH THE
ROSEMOUNT ENGINEERING
SPECIFICATIONS.
UNIT NOTES IN INCHES (mm).
REFERENCE ROSEMOUNT
PRODUCT SPECIFICATIONS.
CLICK HERE

3RD ANGLE

EMERSON

ROSEMOUNT 1097 THERMOWELLS
TYPE I DRAWING

DR. J.ARMSTRONG 10/18/18 DRAWING NO. 01097-7000
APP'D T. BONKAT 10/18/18

CAD MAINTAINED, (PROE) SHEET 1 OF 1