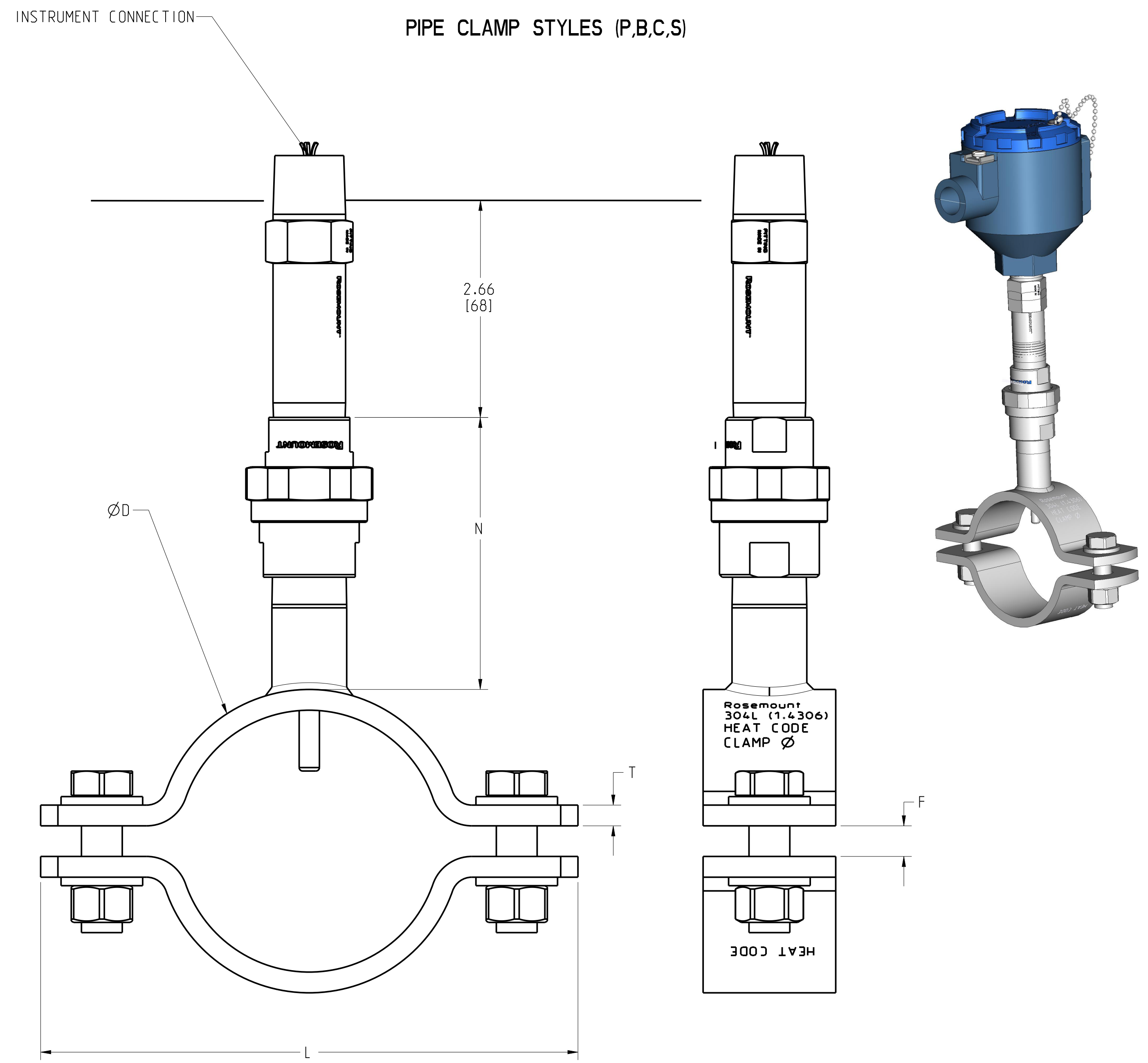


ROSEMOUNT 0085 PIPE CLAMP

REVISION TABLE			
REVISION	ECO NO.	APP'D	DATE
AD	RTC1080161	N. LOYA	1/10/23
DESCRIPTION			
ADD UNIVERSAL MOUNT TO DRAWING			

CODE	DIAMETER (D)	SUITABLE PIPE SIZE	SUITABLE PIPE SIZE	PIPE CLAMP STYLES (P,B,C,S)			
				CLAMP DIMENSIONS	BOLT DIMENSIONS	CLAMP LENGTH (L)	CLAMP SPACE (F)
				W x T	THREAD x LENGTH	mm	mm
STANDARD	mm	INCH	DN				
22	22	1/2"	DN15	31 x 5mm	M10 x 35mm	89	7
34	34	1"	DN25	31 x 5mm	M10 x 35mm	102	7
61	61	2"	DN50	39 x 6mm	M12 x 50mm	144	9
89	89	3"	DN80	39 x 6mm	M12 x 50mm	172	9
115	115	4"	DN100	50 x 8mm	M16 x 60mm	226	11
140	140	5"	DN125	50 x 8mm	M16 x 60mm	252	11
169	169	6"	DN150	50 x 8mm	M16 x 60mm	280	11
220	220	8"	DN200	50 x 8mm	M16 x 60mm	332	11
273	273	10"	DN250	62 x 8mm	M20 x 70mm	408	14
EXPANDED							
27	27	3/4"	DN20	31 x 5mm	M10 x 35mm	96	7
30	30	n/a	DN25	31 x 5mm	M10 x 35mm	98	7
43	43	1 1/4"	DN32	31 x 5mm	M10 x 35mm	112	7
49	49	1 1/2"	DN40	31 x 5mm	M10 x 35mm	118	7
77	77	2 1/2"	DN65	39 x 6mm	M12 x 50mm	158	9
159	159	n/a	DN150	50 x 8mm	M16 x 60mm	270	11
306	306	n/a	n/a	62 x 8mm	M20 x 70mm	442	14
324	324	12"	DN300	62 x 8mm	M20 x 70mm	458	14
356	356	14"	DN350	62 x 8mm	M20 x 70mm	492	14
368	368	n/a	DN350	62 x 8mm	M20 x 70mm	504	14
407	407	16"	DN400	73 x 10mm	M24 x 90mm	578	18
458	458	18"	DN450	73 x 10mm	M24 x 90mm	630	18
508	508	20"	DN500	73 x 10mm	M24 x 90mm	680	18
521	521	n/a	DN500	73 x 10mm	M24 x 90mm	694	18
610	610	24"	DN600	73 x 10mm	M24 x 90mm	797	18
660	660	26"	DN650	73 x 10mm	M24 x 90mm	847	18
720	720	28"	DN700	73 x 10mm	M24 x 90mm	900	18
762	762	30"	DN750	73 x 10mm	M24 x 90mm	942	18
813	813	32"	DN800	73 x 10mm	M24 x 90mm	993	18
915	915	36"	DN900	73 x 10mm	M24 x 90mm	1096	18
1016	1016	40"	DN1000	73 x 10mm	M24 x 90mm	1199	18
1070	1070	42"	n/a	73 x 10mm	M24 x 90mm	1255	18
1219	1219	48"	DN1200	73 x 10mm	M24 x 90mm	1404	18
1321	1321	52"	DN1300	NA	NA	NA	NA
1423	1423	56"	DN1400	NA	NA	NA	NA
1524	1524	60"	DN1500	NA	NA	NA	NA



0085 PIPE CLAMP CAN BE ASSEMBLED TO TRANSMITTERS 3144P AND 648 WITH OPTIONCODE (PT) FOR X-WELL. REFER TO APPLICABLE TYPE 1 DRAWINGS 03144-0111 AND 00648-7000 FOR TRANSMITTER DIMENSIONS.

NOTES:
1. DIMENSION "N"-EXTENSION LENGTH IN mm-SPECIFIED IN SENSOR MODEL STRUCTURE.

©2015 ROSEMOUNT INC. ROSEMOUNT INC. ACCEPTS THIS LIABILITY IN ACCORDANCE WITH ROSEMOUNT ENGINEERING SPECIFICATIONS. UNIT NOTES IN INCHES (mm). REFERENCE ROSEMOUNT PRODUCT SHEETS FOR PRODUCT SPECIFICATIONS. CLICK HERE

EMERSON

TITLE ROSEMOUNT 0085 PIPE CLAMP TYPE I DRAWING

DR. J. ARMSTRONG 4/10/13 DRAWING NO. 00085-7000

APP'D KW 4/10/13

CAD MAINTAINED. (PRO/E) SHEET 1 OF 4

3RD ANGLE

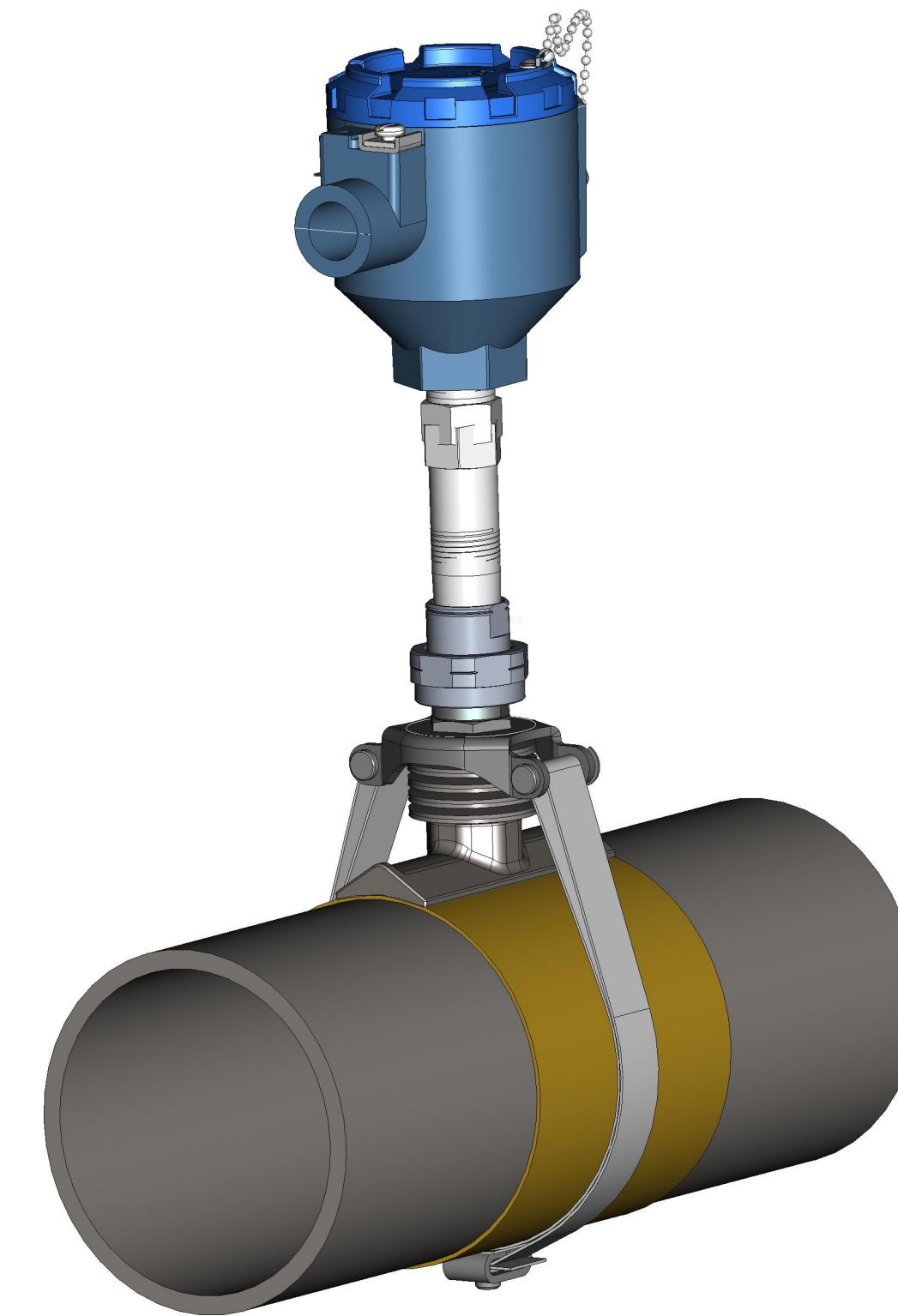
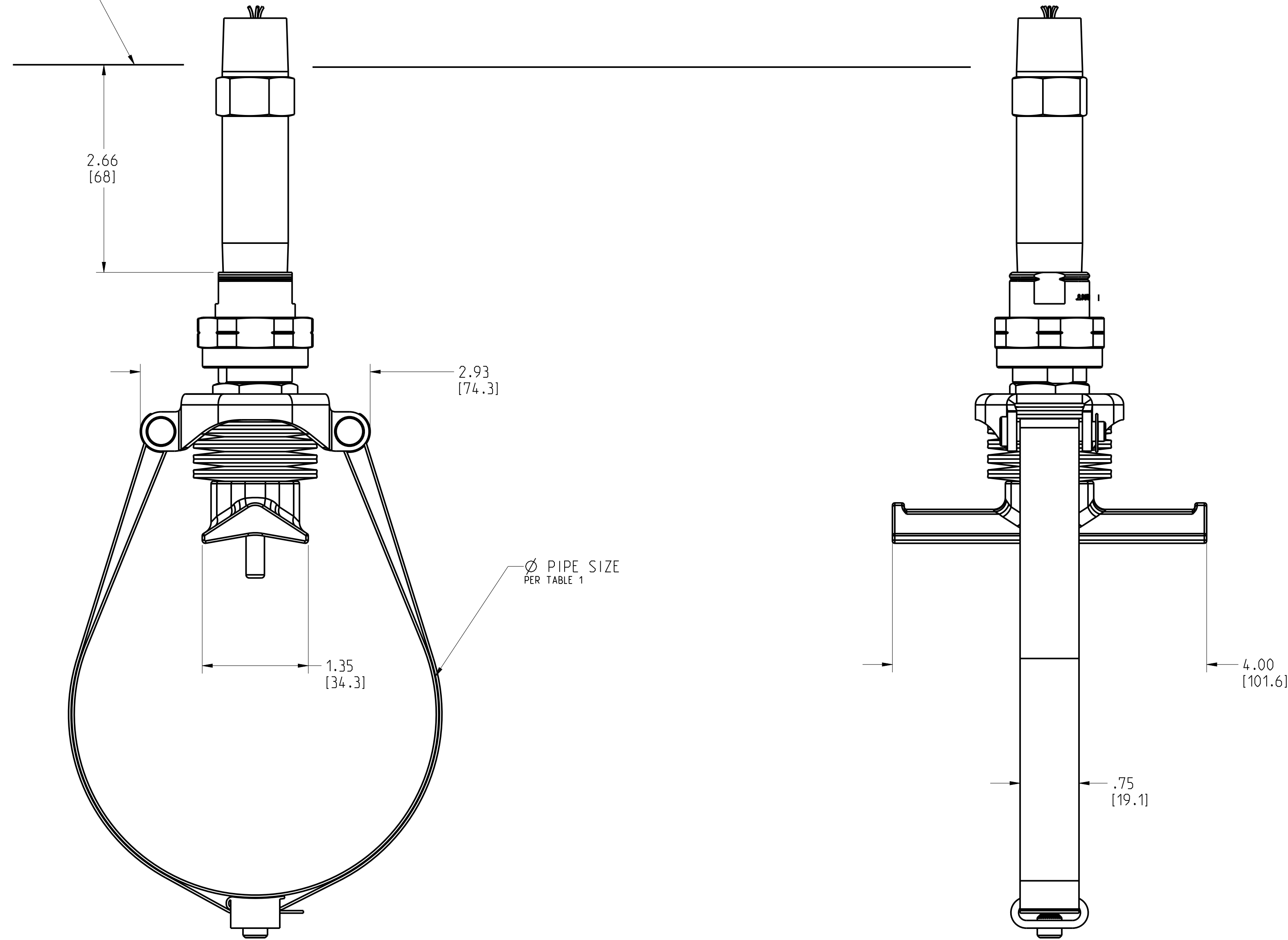
SIZE D

SCALE NTS

ROSEMOUNT 0085 PIPE CLAMP

UNIVERSAL PIPE CLAMP STYLE (U)

INSTRUMENT CONNECTION



©2015 ROSEMOUNT, INC.
ROSEMOUNT INCORPORATES
THIS INFORMATION IN
THIS DRAWING IN ACCORDANCE WITH
ROSEMOUNT ENGINEERING
SPECIFICATIONS.
UNIT NOTES IN INCHES (mm).

REFERENCE ROSEMOUNT
PRODUCT SHEETS FOR
PRODUCT SPECIFICATIONS.
CLICK HERE

3RD ANGLE

SIZE D SCALE NTS

EMERSON

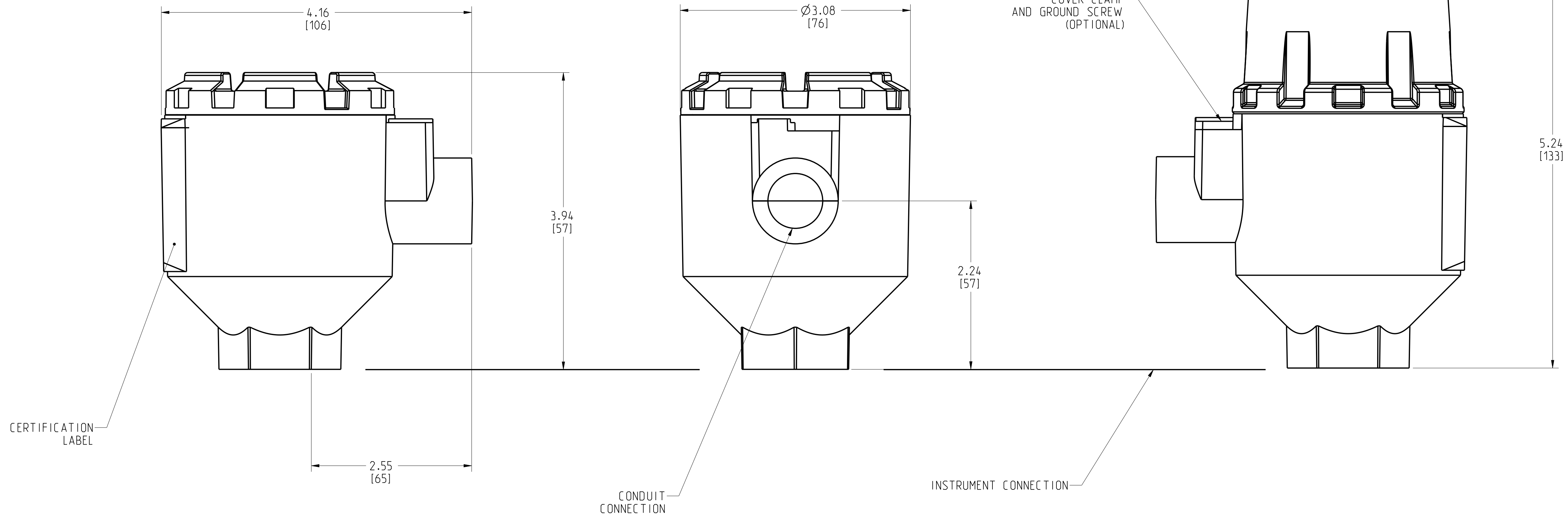
TITLE ROSEMOUNT 0085 PIPE CLAMP
TYPE I DRAWING

DR. J. ARMSTRONG	4/10/13	DRAWING NO.	00085-7000
APP'D KW	4/10/13		
CAD MAINTAINED (PRO/E)			SHEET 2 OF 4

ROSEMOUNT 0085 UNIVERSAL MOUNT

ROSEMOUNT
ALUMINUM OR SST

ROSEMOUNT OR SST
WITH LCD METER COVER



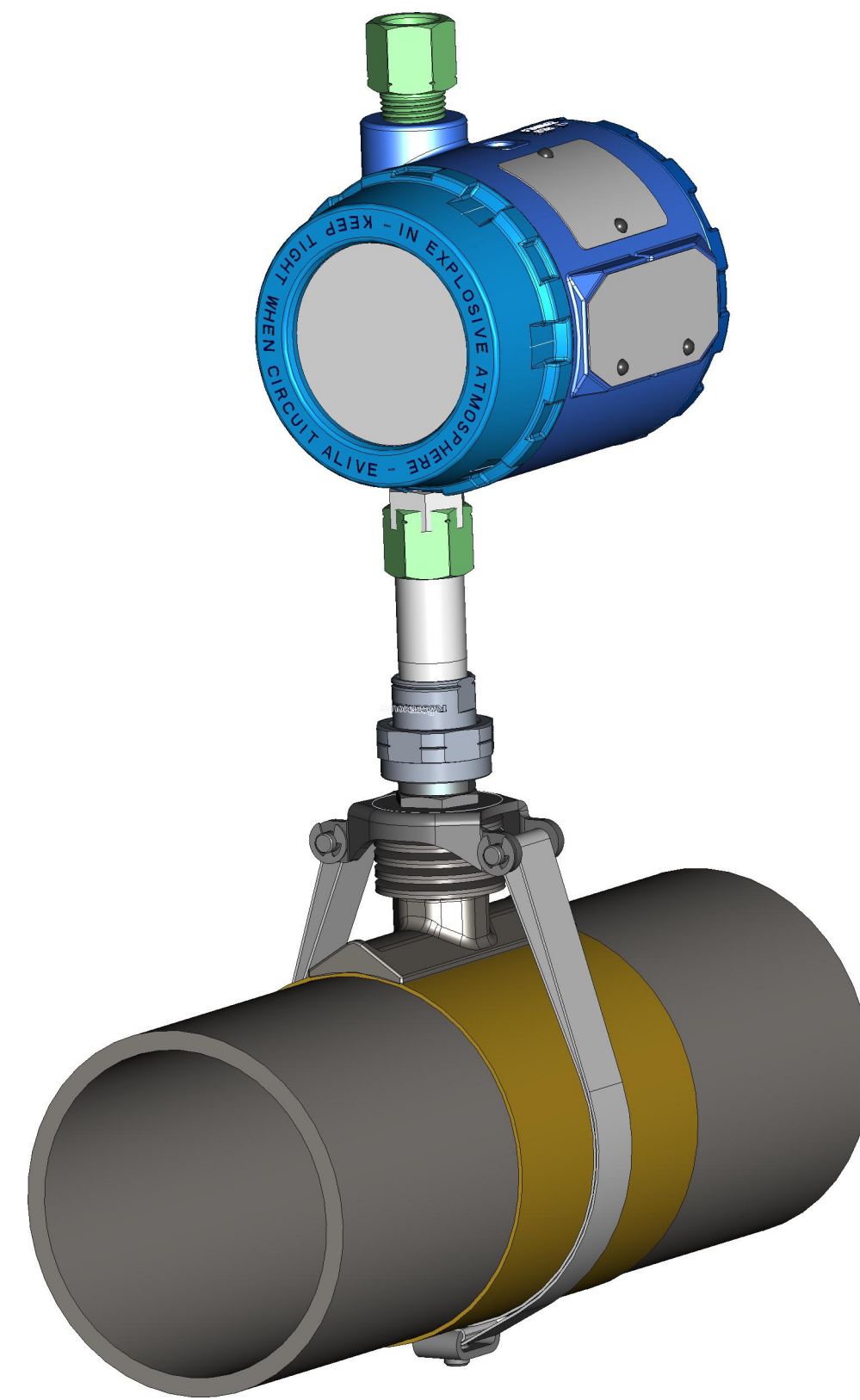
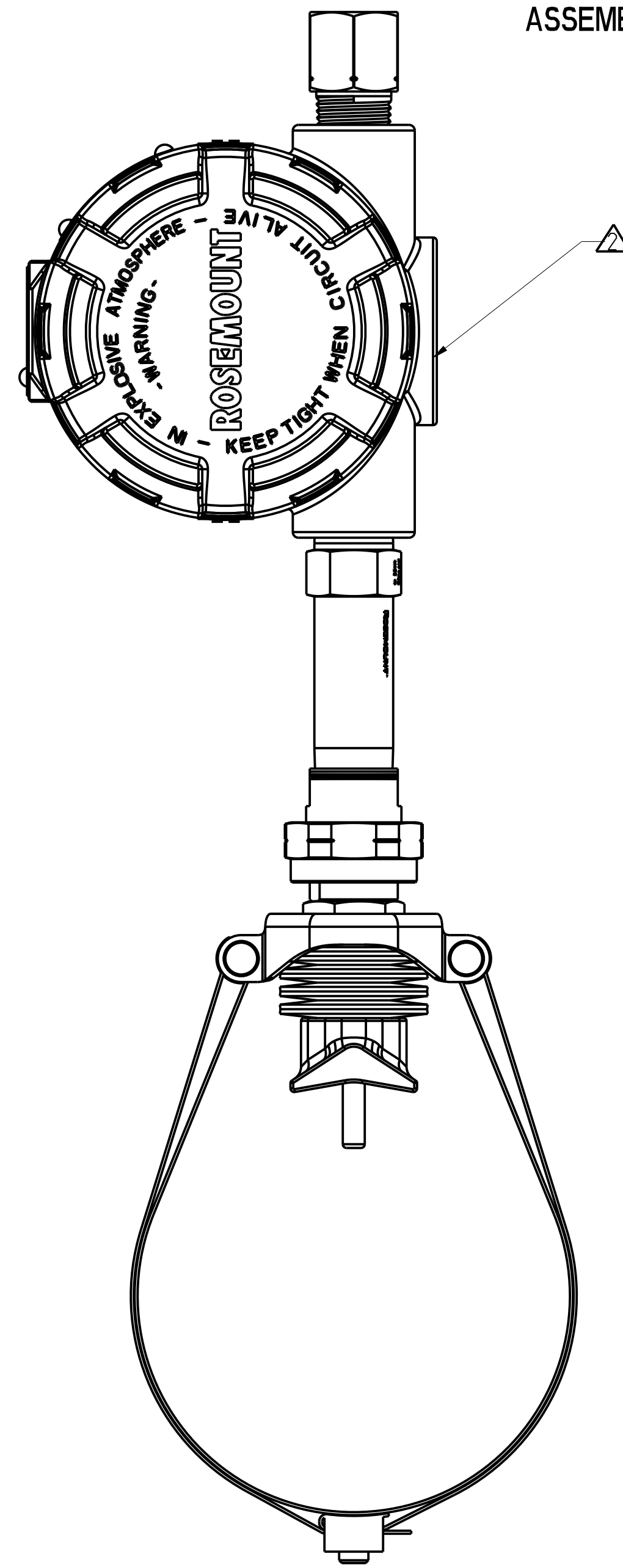
1. DIMENSION "N"-EXTENSION LENGTH IN mm-SPECIFIED IN SENSOR MODEL STRUCTURE.

<small>©2015 ROSEMOUNT, INC. ROSEMOUNT INC. EXPRESSLY DISCLAIMS LIABILITY IN THIS DOCUMENT. THIS DRAWING IS TO BE USED IN CONJUNCTION WITH ROSEMOUNT ENGINEERING SPECIFICATIONS. UNIT NOTES IN INCHES (mm). REFERENCE ROSEMOUNT PRODUCT SPECIFICATIONS FOR PRODUCT SPECIFICATIONS. CLICK HERE</small>	3RD ANGLE		SIZE D	SCALE NTS
	EMERSON			
	TITLE ROSEMOUNT 0085 PIPE CLAMP TYPE I DRAWING			
	DR. J. ARMSTRONG	4/10/13	DRAWING NO.	00085-7000
APP'D KW	4/10/13			
CAD MAINTAINED: (PRO/EI)			SHEET 3 OF 4	

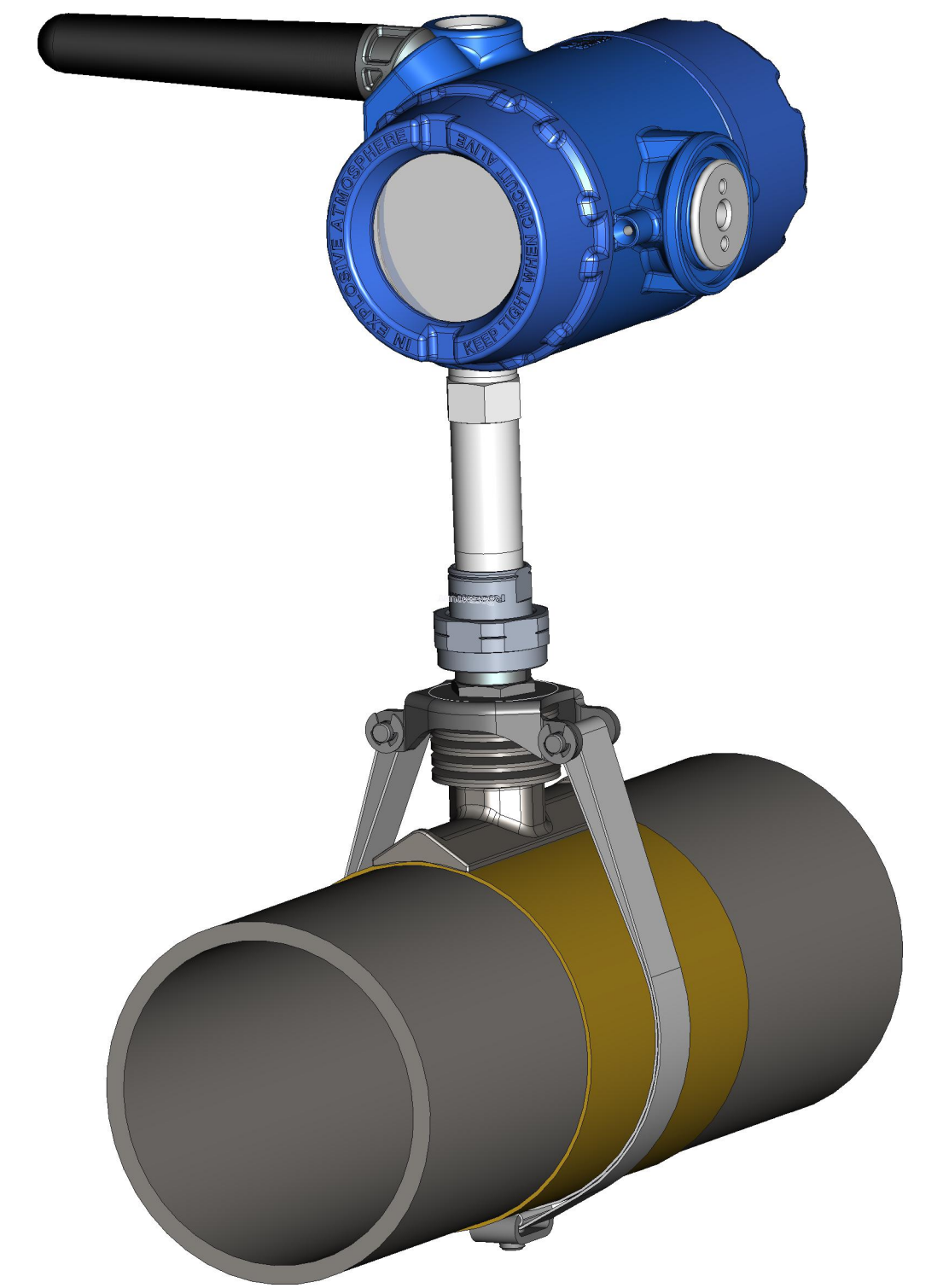
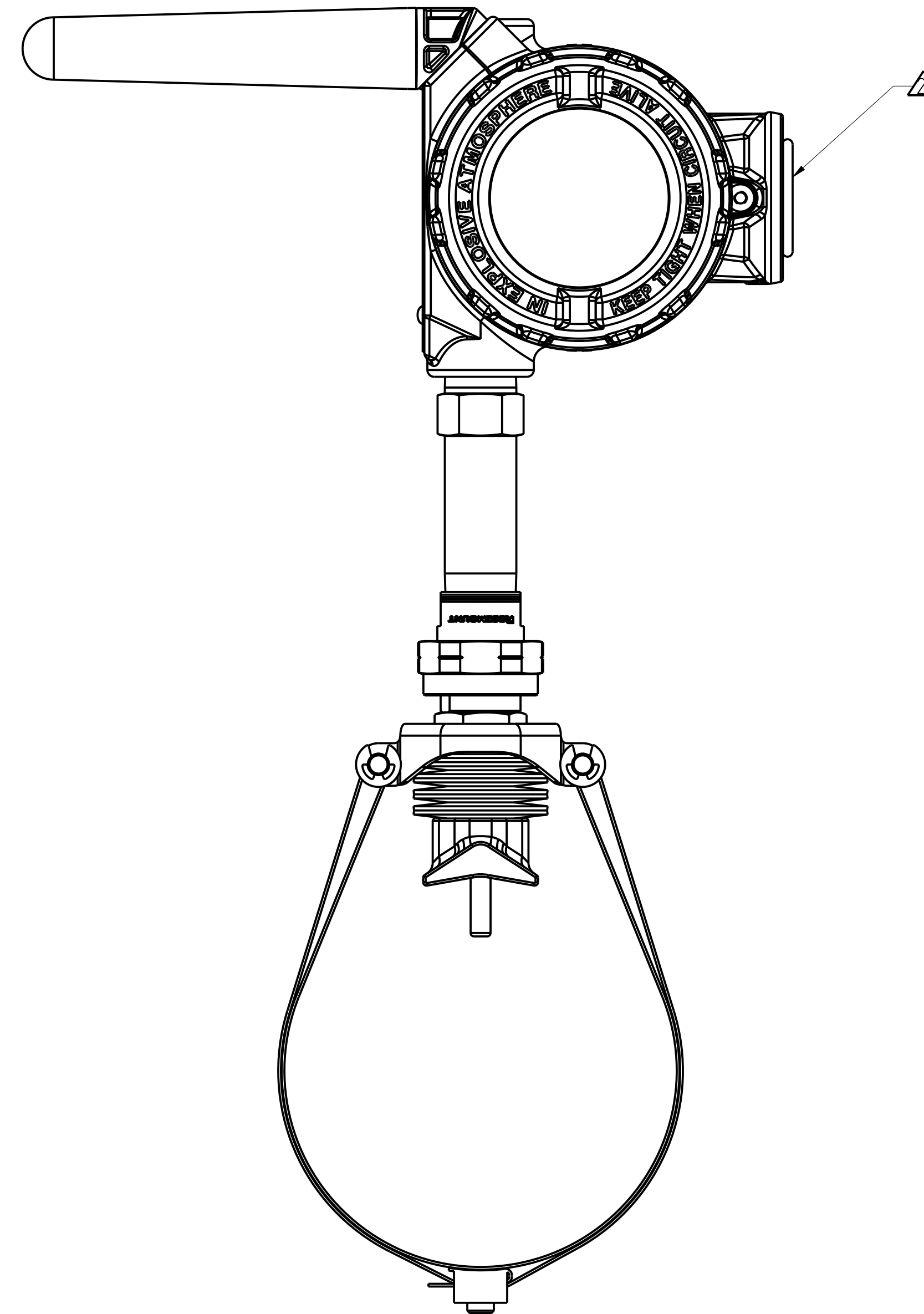
ROSEMOUNT 0085 UNIVERSAL MOUNT

UNIVERSAL PIPE MOUNT (U) WITH 3144P AND 648 TRANSMITTERS

3144P HOUSING
ASSEMBLED TO UNIVERSAL MOUNT



648 WIRELESS HOUSING
ASSEMBLED TO UNIVERSAL MOUNT



1. DIMENSION "N"-EXTENSION LENGTH IN mm-SPECIFIED IN SENSOR MODEL STRUCTURE.

©2015 ROSEMOUNT, INC.
ROSEMOUNT INCORPORATES
THIS INFORMATION IN
THIS DRAWING IN ACCORDANCE WITH
ROSEMOUNT ENGINEERING
SPECIFICATIONS.
UNIT NOTES IN INCHES (mm).

REFERENCE ROSEMOUNT
PRODUCT SHEETS FOR
PRODUCT SPECIFICATIONS.
CLICK HERE

DR. J. ARMSTRONG 4/10/13 DRAWING NO. 00085-7000
APP'D KW 4/10/13
CAD MAINTAINED (PRO/E) SHEET 4 OF 4

3RD ANGLE

EMERSON

TITLE ROSEMOUNT 0085 PIPE CLAMP
TYPE I DRAWING

SIZE D SCALE NTS