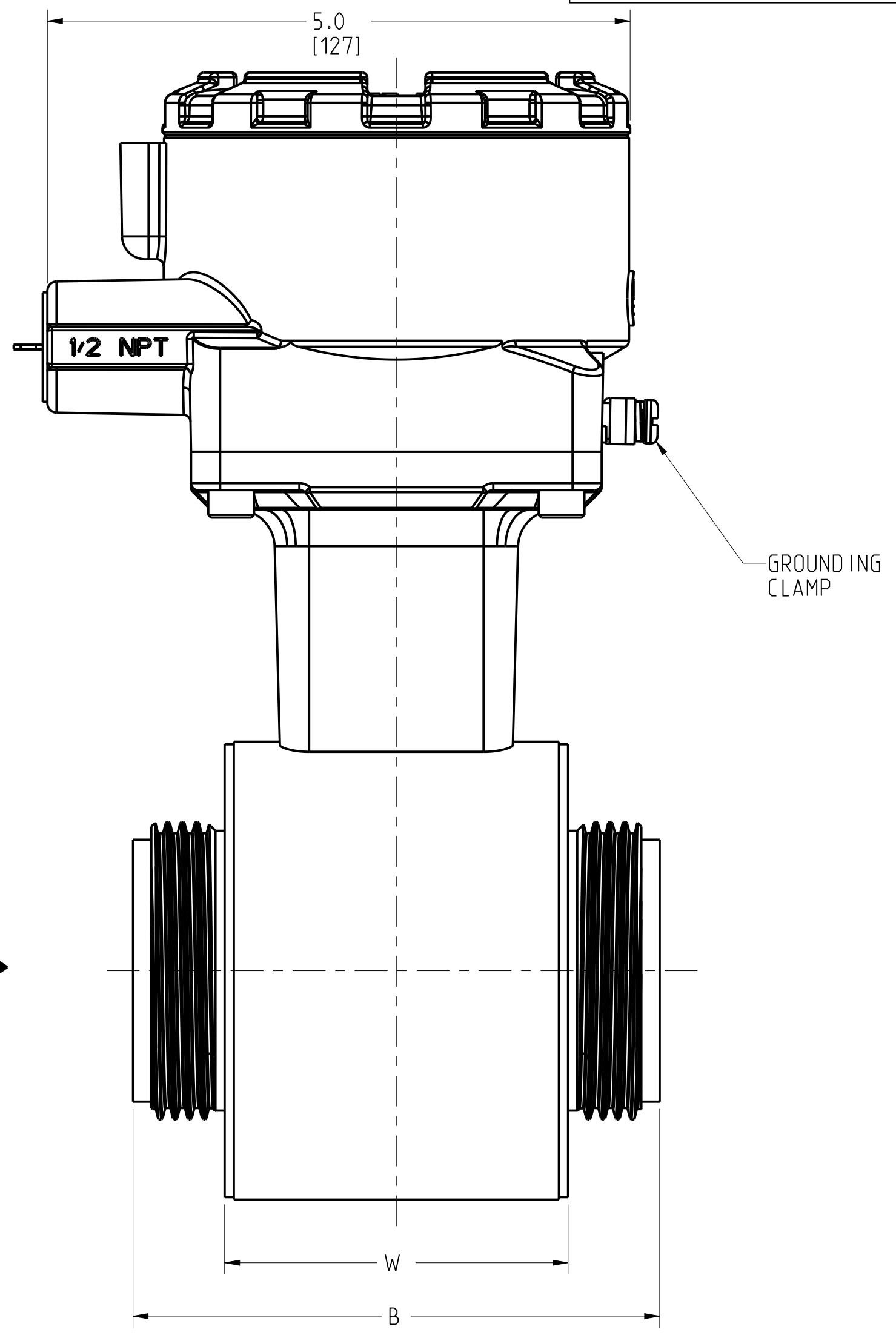
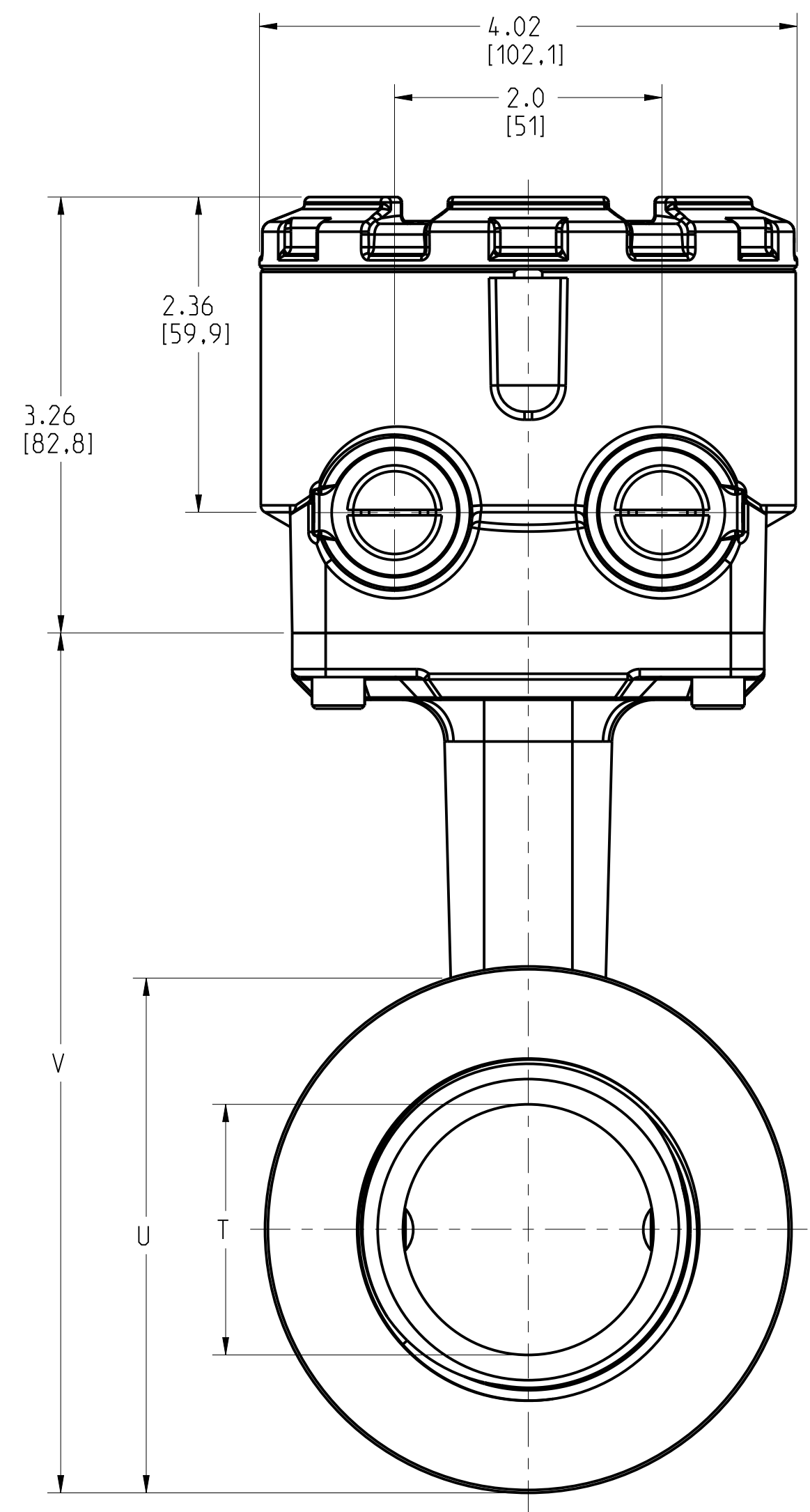


REVISION TABLE			
REVISION	ECO NO.	APP'D	DATE
AG	1159026	M.J.M.	9/17/20
DESCRIPTION			
REMOVE BLOCK TOLERANCE ON ALL PAGES. REMOVE FLOW ARROW FROM TUBE ADAPTER IN MODEL VEIWS; ADD FLOW DIRECTION NOTE ONE PAGE 1. UPDATE TABLES ON PAGE 4.			

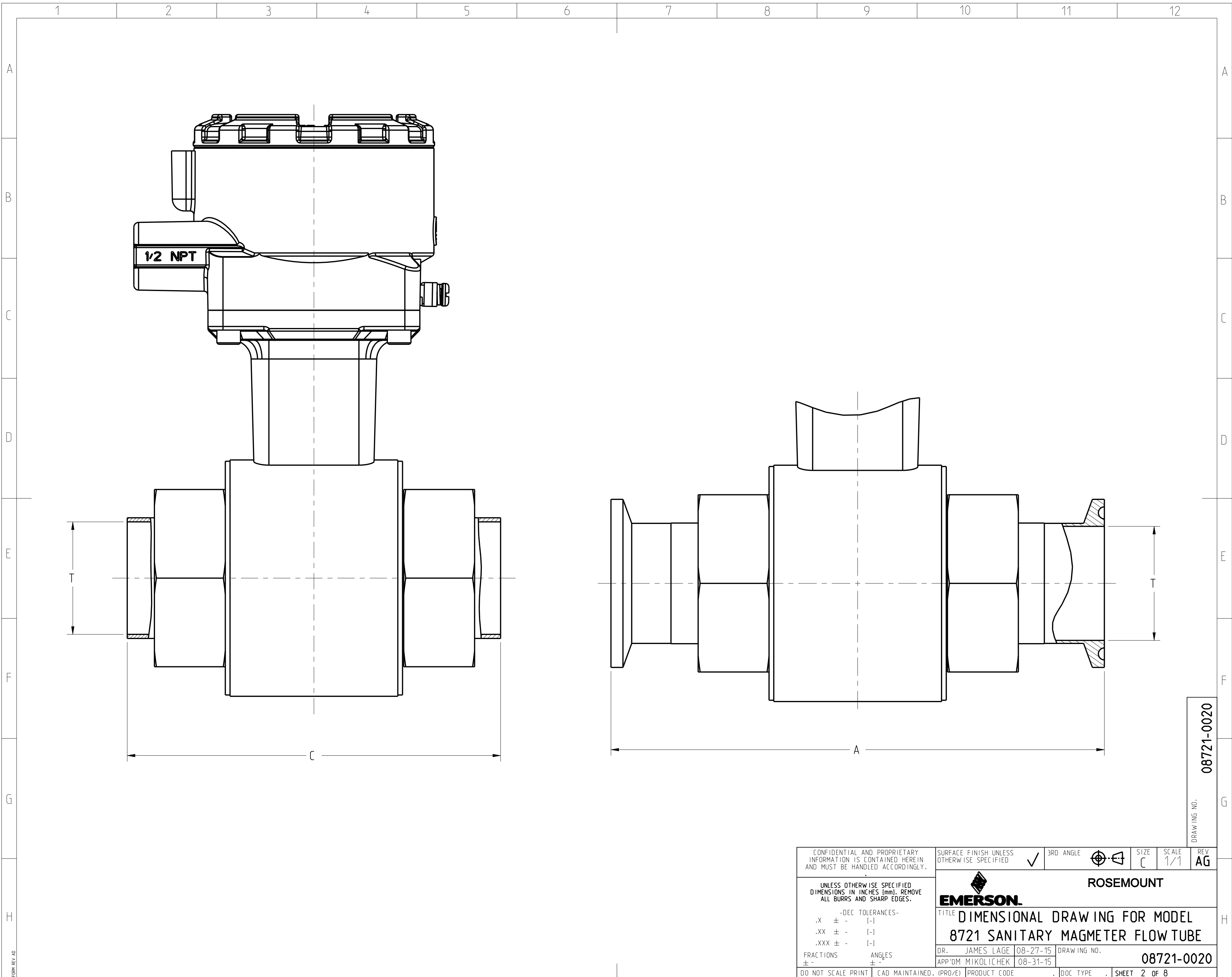


1. ROSEMOUNT INC. CERTIFIES THESE DRAWINGS ARE IN ACCORDANCE WITH ROSEMOUNT ENG. SPECIFICATIONS AND ACCURATELY REPRESENTS THE EQUIPMENT FURNISHED.

NOTES:

CONFIDENTIAL AND PROPRIETARY INFORMATION IS CONTAINED HEREIN AND MUST BE HANDLED ACCORDINGLY.		SURFACE FINISH UNLESS OTHERWISE SPECIFIED ✓		3RD ANGLE		SIZE C	SCALE 1/1	REV AG
UNLESS OTHERWISE SPECIFIED DIMENSIONS IN INCHES (mm). REMOVE ALL BURRS AND SHARP EDGES.								
-DEC TOLERANCES-		TITLE DIMENSIONAL DRAWING FOR MODEL 8721 SANITARY MAGMETER FLOW TUBE						
.X ± - [-]	.XX ± - [-]	DR. JAMES LAGE 08-27-15		DRAWING NO.		08721-0020		
.XXX ± - [-]	FRACTIONS ± -	APP'D M IKOLICHEK 08-31-15						
ANGLES ± -		DO NOT SCALE PRINT		CAD MAINTAINED. (PRO/E)	PRODUCT CODE	DOC TYPE	SHEET 1 OF 8	

DRAWING NO. 08721-0020



DRAWING NO. 08721-0020

CONFIDENTIAL AND PROPRIETARY INFORMATION IS CONTAINED HEREIN AND MUST BE HANDLED ACCORDINGLY.		SURFACE FINISH UNLESS OTHERWISE SPECIFIED ✓		3RD ANGLE		SIZE C	SCALE 1/1	REV AG
UNLESS OTHERWISE SPECIFIED DIMENSIONS IN INCHES (mm). REMOVE ALL BURRS AND SHARP EDGES.		EMERSON ROSEMOUNT						
-DEC TOLERANCES-		TITLE DIMENSIONAL DRAWING FOR MODEL 8721 SANITARY MAGMETER FLOW TUBE						
.X ±	- [-]	DR. JAMES LAGE		08-27-15		DRAWING NO. 08721-0020		
.XX ±	- [-]	APP'D MIKOLICHEK		08-31-15				
.XXX ±	- [-]							
FRACTIONS ±	ANGLES ±							
DO NOT SCALE PRINT		CAD MAINTAINED (PRO/E)		PRODUCT CODE		DOC TYPE		SHEET 2 OF 8

FORM REV AD

OVERALL FLOW TUBE LENGTH FOR ALL FITTINGS (INCHES)											
PROCESS CONNECTION CODE		A	B	C	D	E	F	G	H	J	K
LINE SIZE CODE	NOMINAL LINE SIZE	TRI-CLAMP	IDF SANITARY SCREW TYPE	WELD NIPPLE PER ASTM A 270	DIN 11851 (IMPERIAL)	DIN 11851 (METRIC)	DIN 11864-1 FORM A	DIN 11864-2 FORM A	SMS 1145	CHERRY BURRELL I-LINE	WELD NIPPLE PER DIN 11850
	IN	IN	IN	IN	IN	IN	IN	IN	IN	IN	IN
005	0.5	7.86	3.66	5.61	7.88	6.77	N/A	N/A	N/A	N/A	NA
010	1	7.85	3.66	5.61	7.89	7.89	8.99	8.87	6.87	7.17	9.61
015	1.5	8.17	3.98	5.92	8.53	8.53	9.75	9.59	7.50	7.80	9.92
020	2	8.60	4.41	6.35	9.10	9.10	10.18	10.02	7.93	8.42	10.75
025	2.5	9.43	5.24	7.18	10.33	10.33	11.91	11.55	9.07	9.49	11.58
030	3	10.18	5.98	7.93	11.48	11.48	12.98	12.46	9.82	10.37	12.33
040	4	11.70	6.77	9.46	13.72	13.72	14.50	14.14	11.89	12.15	13.86

OVERALL FLOW TUBE LENGTH FOR ALL FITTINGS (MILLIMETERS)											
PROCESS CONNECTION CODE		A	B	C	D	E	F	G	H	J	K
LINE SIZE CODE	NOMINAL LINE SIZE	TRI-CLAMP	IDF SANITARY SCREW TYPE	WELD NIPPLE PER ASTM A 270	DIN 11851 (IMPERIAL)	DIN 11851 (METRIC)	DIN 11864-1 FORM A	DIN 11864-2 FORM A	SMS 1145	CHERRY BURRELL I-LINE	WELD NIPPLE PER DIN 11850
	MM	MM	MM	MM	MM	MM	MM	MM	MM	MM	MM
005	15	200	93	142	200	172	N/A	N/A	N/A	N/A	NA
010	25	199	93	142	200	200	228	225	174	182	244
015	40	207	101	150	217	217	248	244	190	198	252
020	50	218	112	161	231	231	259	255	201	214	273
025	65	239	133	182	262	262	302	293	230	241	294
030	80	258	152	201	291	291	330	316	249	263	313
040	100	297	172	240	349	349	368	359	302	309	352

DRAWING NO. 08721-0020

DRAWING NO.


CONFIDENTIAL AND PROPRIETARY INFORMATION IS CONTAINED HEREIN AND MUST BE HANDLED ACCORDINGLY.		SURFACE FINISH UNLESS OTHERWISE SPECIFIED <input checked="" type="checkbox"/>		3RD ANGLE	SIZE C	SCALE 1/1	REV AG
UNLESS OTHERWISE SPECIFIED DIMENSIONS IN INCHES (mm). REMOVE ALL BURRS AND SHARP EDGES.		EMERSON ROSEMOUNT					
-DEC TOLERANCES-		TITLE DIMENSIONAL DRAWING FOR MODEL 8721 SANITARY MAGMETER FLOW TUBE					
.X ± - [-]	.XX ± - [-]	DR. JAMES LAGE 08-27-15		DRAWING NO. 08721-0020			
.XXX ± - [-]	FRACTIONS ± -	APP'D MIKOLICHEK 08-31-15					
ANGLES ± -		DO NOT SCALE PRINT CAD MAINTAINED. (PRO/E)		PRODUCT CODE	DOC TYPE	SHEET 3 OF 8	

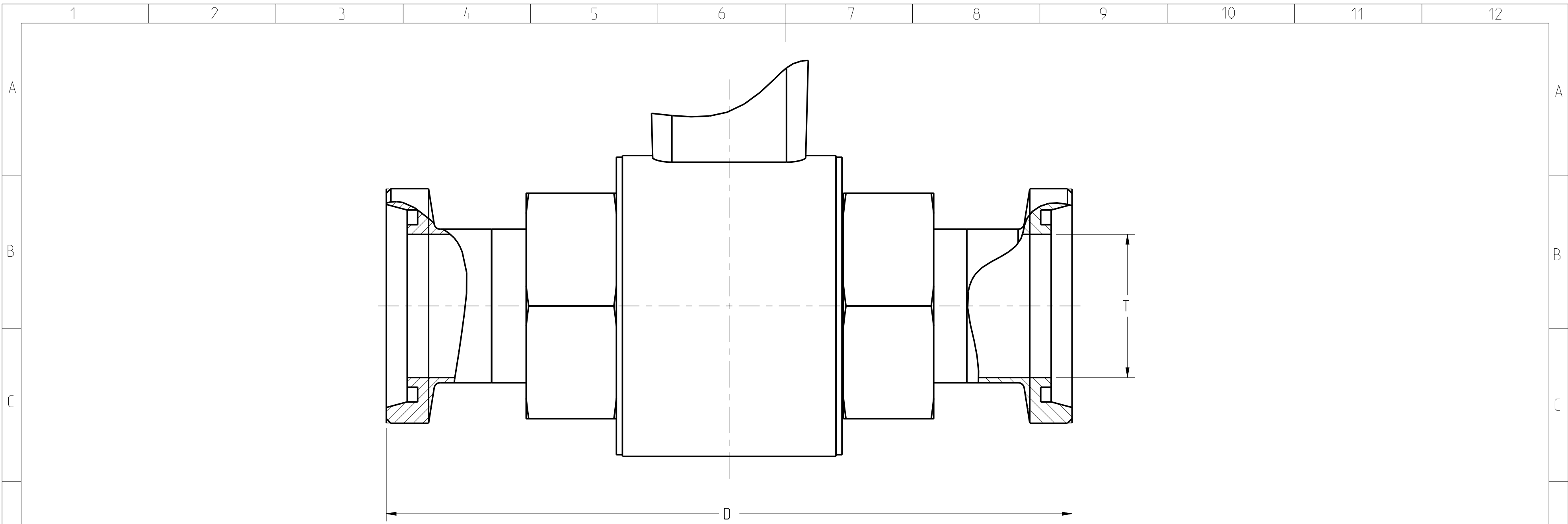
FORM REV AD

LINE SIZE CODE	NOMINAL LINE SIZE	BODY DIMENSIONS (INCHES)			INSIDE DIAMETERS (INCHES)		
		BODY DIAMETER (U)	FLOW TUBE HEIGHT (V)	BODY LENGTH (W)	INSIDE DIAMETER (T)	INSIDE DIAMETER (S)	INSIDE DIAMETER (R)
		IN	IN	IN	IN	IN	IN
005	0.5	3.157	5.621	2.126	0.622	--	0.622
010	1	3.157	5.621	2.126	0.874	0.886	1.024
015	1.5	3.644	6.093	2.402	1.374	1.398	1.496
020	2	4.219	6.654	2.835	1.874	1.909	1.969
025	2.5	4.488	6.921	3.583	2.374	2.382	2.598
030	3	5.437	7.776	4.409	2.874	2.835	3.189
040	4	6.472	8.878	5.197	3.840	3.937	3.973

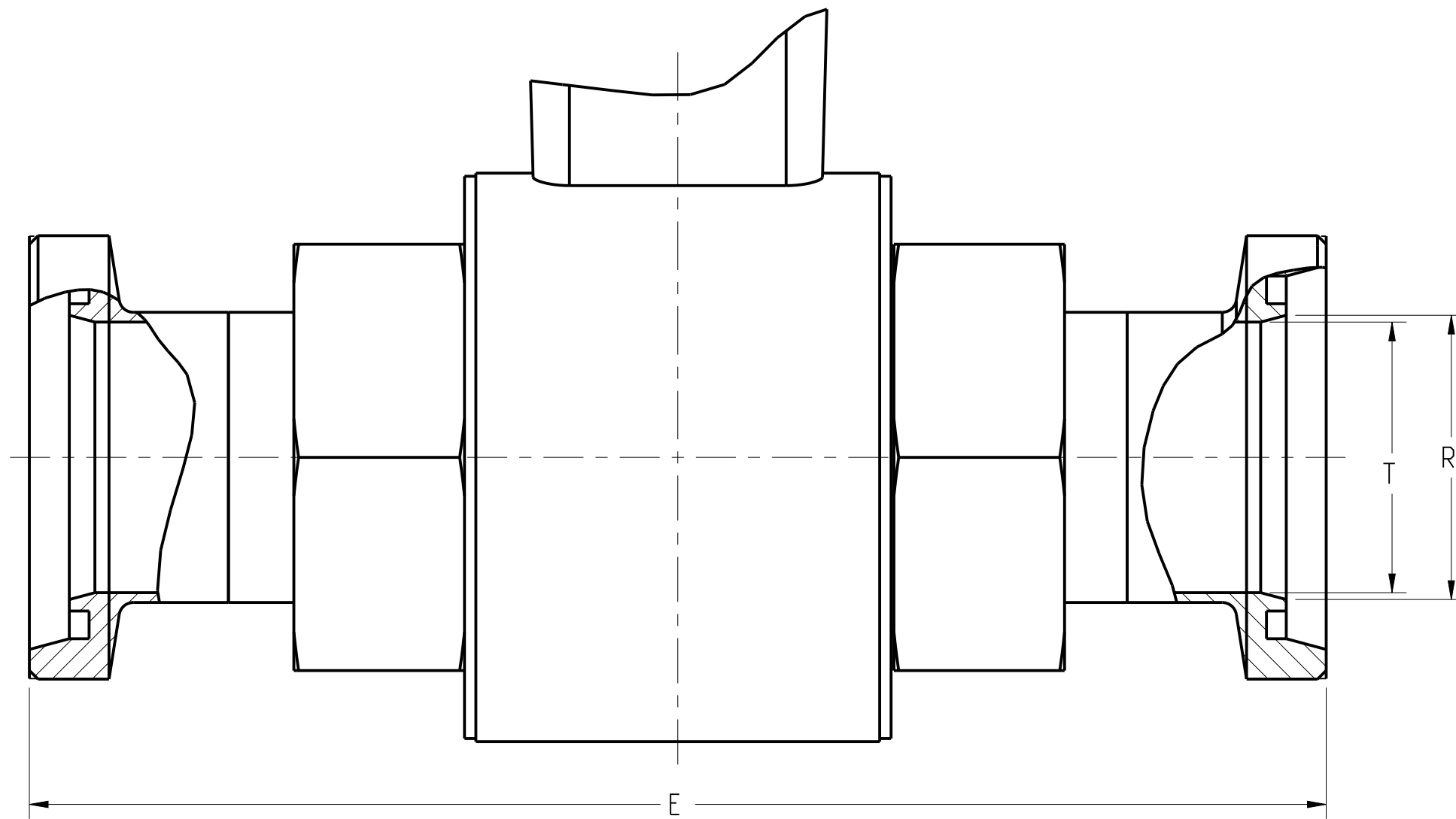
LINE SIZE CODE	NOMINAL LINE SIZE	BODY DIMENSIONS (MILLIMETERS)			INSIDE DIAMETERS (MILLIMETERS)		
		BODY DIAMETER (U)	FLOW TUBE HEIGHT (V)	BODY LENGTH (W)	INSIDE DIAMETER (T)	INSIDE DIAMETER (S)	INSIDE DIAMETER (R)
		MM	MM	MM	MM	MM	MM
005	1.5	80.2	142.8	55.0	15.8	--	15.8
010	25	80.2	142.8	54.0	22.2	22.5	26.0
015	40	92.6	154.8	61.0	34.9	35.5	38.0
020	50	107.2	169.0	72.0	47.6	48.5	50.0
025	65	114.0	175.8	91.0	60.3	60.5	66.0
030	80	138.1	197.5	112.0	73.0	72.0	81.0
040	100	164.4	225.5	132.0	97.5	100.0	100.9

DRAWING NO. 08721-0020

CONFIDENTIAL AND PROPRIETARY INFORMATION IS CONTAINED HEREIN AND MUST BE HANDLED ACCORDINGLY.		SURFACE FINISH UNLESS OTHERWISE SPECIFIED <input checked="" type="checkbox"/>		3RD ANGLE 	SIZE C	SCALE 1/1	REV AG
UNLESS OTHERWISE SPECIFIED DIMENSIONS IN INCHES (mm). REMOVE ALL BURRS AND SHARP EDGES.		EMERSON ROSEMOUNT					
-DEC TOLERANCES-		TITLE DIMENSIONAL DRAWING FOR MODEL 8721 SANITARY MAGMETER FLOW TUBE					
.X ± - [-]	.XX ± - [-]	DR. JAMES LAGE 08-27-15		DRAWING NO. 08721-0020			
.XXX ± - [-]	FRACTIONS ± -	APP'D MIKOLICHEK 08-31-15					
ANGLES ± -		DO NOT SCALE PRINT		CAD MAINTAINED (PRO/E)	PRODUCT CODE	DOC TYPE	SHEET 4 OF 8



DIN 11851 (IMPERIAL) (CODE D)



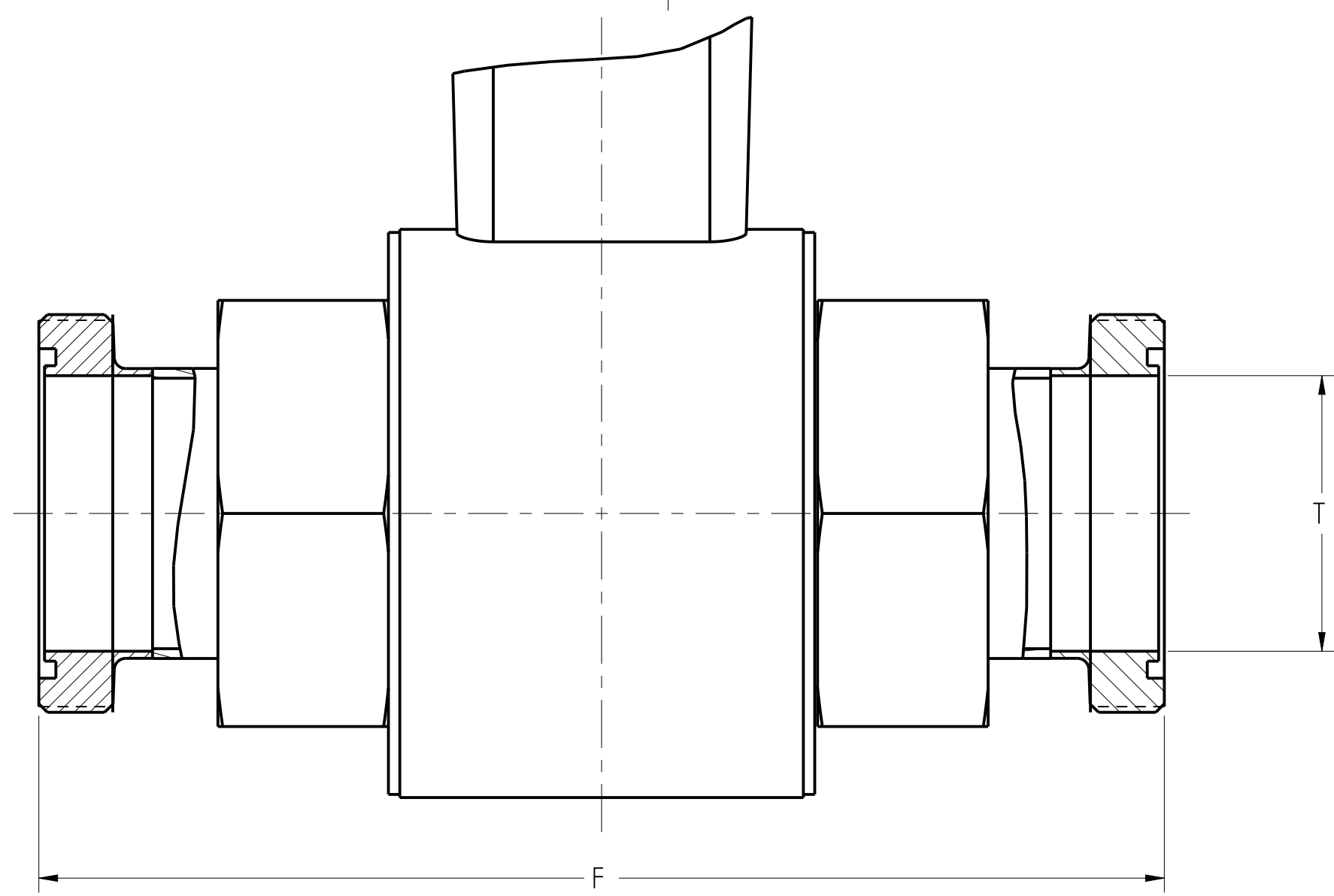
DIN 11851 (IMPERIAL) (CODE E)

DRAWING NO. 08721-0020

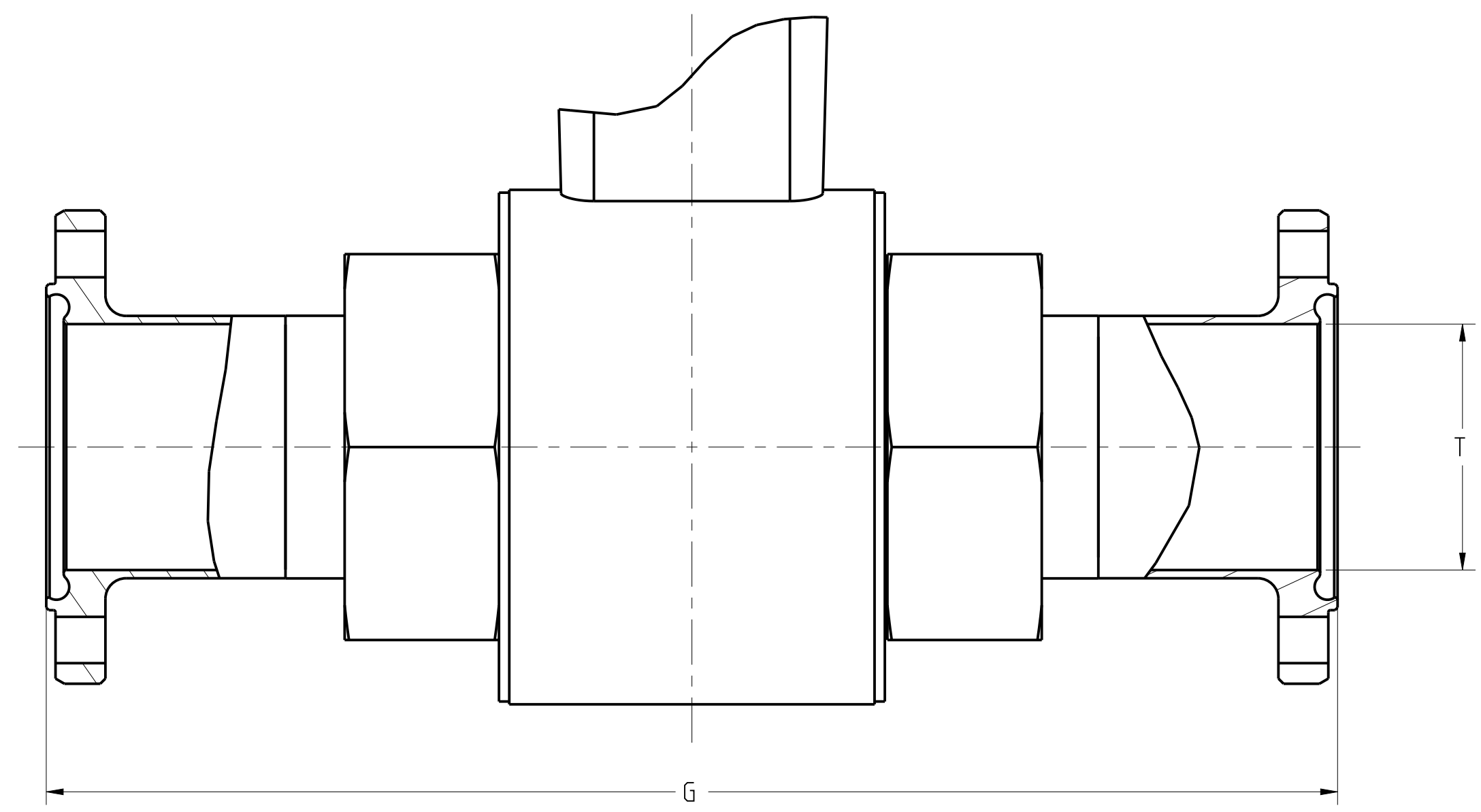
CONFIDENTIAL AND PROPRIETARY INFORMATION IS CONTAINED HEREIN AND MUST BE HANDLED ACCORDINGLY.		SURFACE FINISH UNLESS OTHERWISE SPECIFIED		✓	3RD ANGLE		SIZE C	SCALE 1/1	REV AG
UNLESS OTHERWISE SPECIFIED DIMENSIONS IN INCHES (mm). REMOVE ALL BURRS AND SHARP EDGES.		EMERSON ROSEMOUNT							
-DEC TOLERANCES-		TITLE DIMENSIONAL DRAWING FOR MODEL 8721 SANITARY MAGMETER FLOW TUBE							
.X ± -	[-]	DR. JAMES LAGE		08-27-15		DRAWING NO. 08721-0020			
.XX ± -	[-]	APP'D MIKOLICHEK		08-31-15					
.XXX ± -	[-]								
FRACTIONS ± -	ANGLES ± -								
DO NOT SCALE PRINT		CAD MAINTAINED. (PRO/€)		PRODUCT CODE		DOC TYPE		SHEET 5 OF 8	

1 2 3 4 5 6 7 8 9 10 11 12

A
B
C
D
E
F
G
H



DIN 1184-1 FORM A (CODE F)

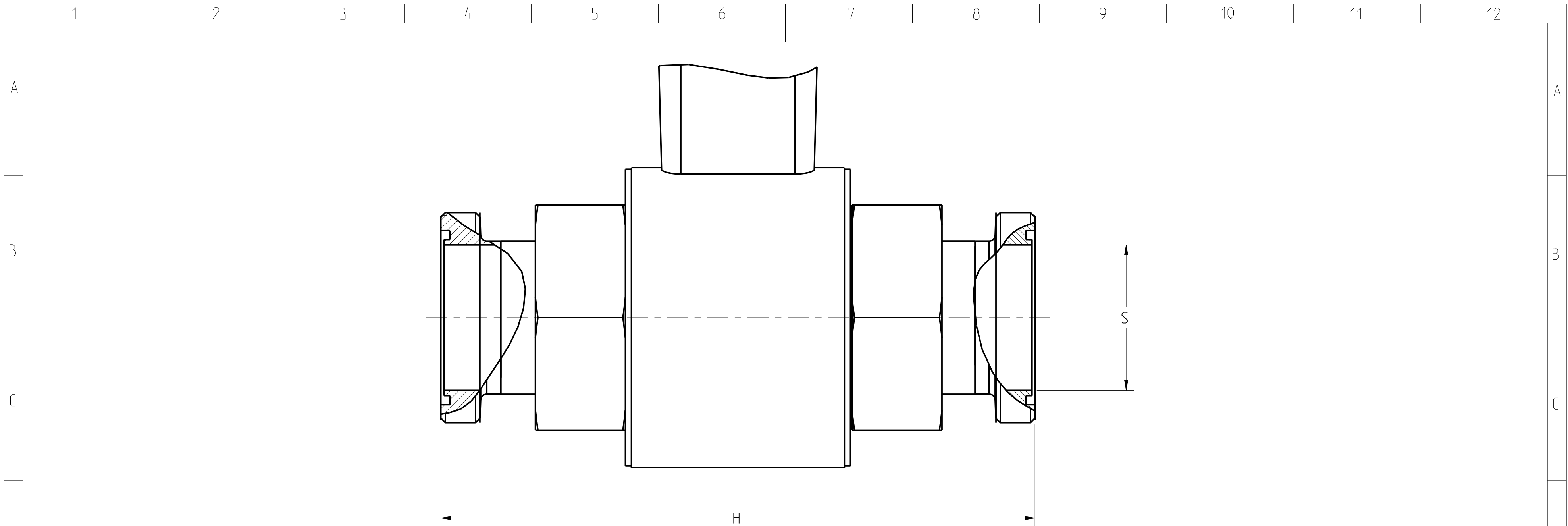


DIN 1184-1 FORM A (CODE G)

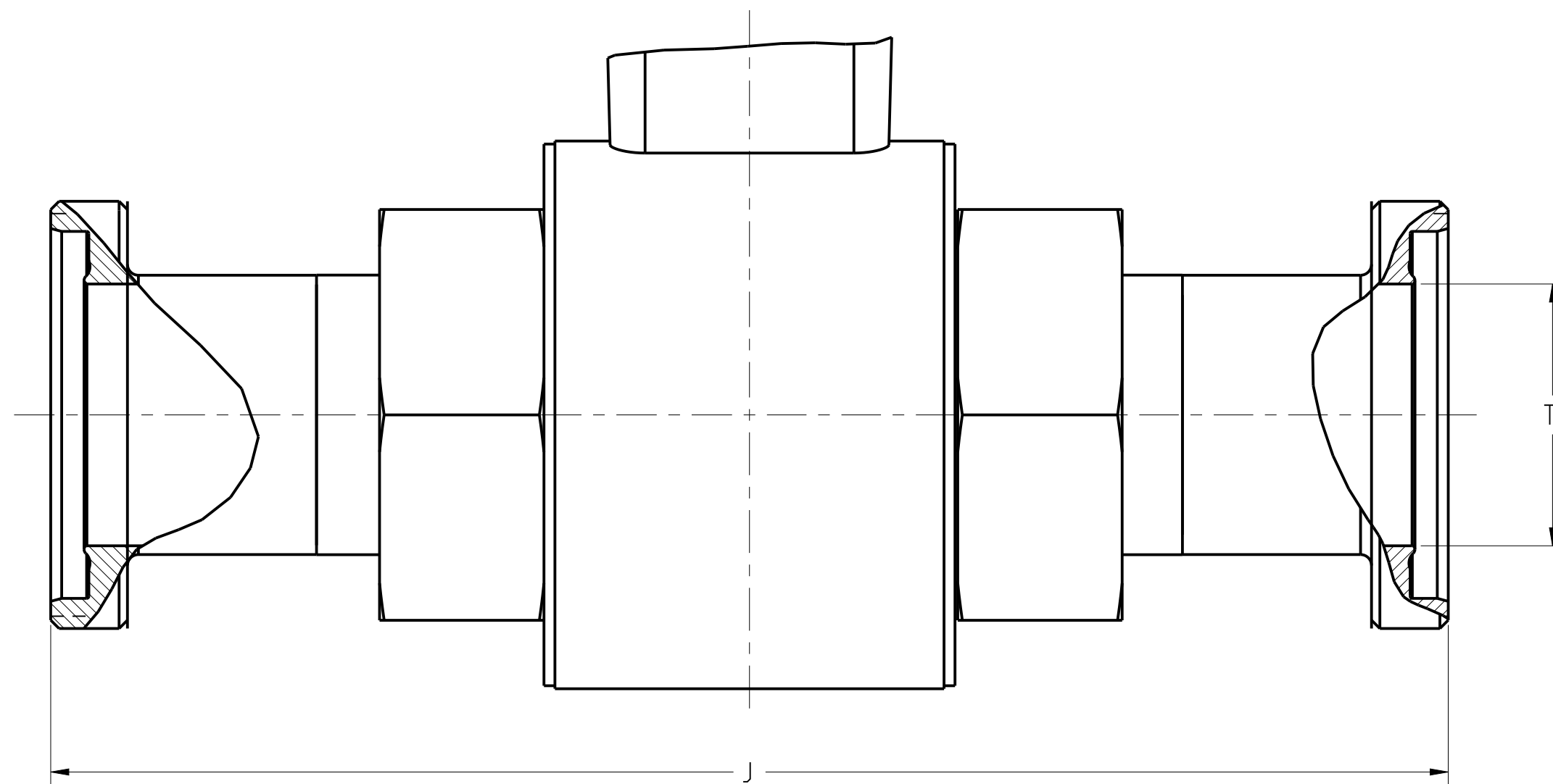
DRAWING NO. 08721-0020

CONFIDENTIAL AND PROPRIETARY INFORMATION IS CONTAINED HEREIN AND MUST BE HANDLED ACCORDINGLY.		SURFACE FINISH UNLESS OTHERWISE SPECIFIED ✓		3RD ANGLE		SIZE C	SCALE 1/1	REV AG
UNLESS OTHERWISE SPECIFIED DIMENSIONS IN INCHES (mm). REMOVE ALL BURRS AND SHARP EDGES.		ROSEMOUNT						
-DEC TOLERANCES-		TITLE DIMENSIONAL DRAWING FOR MODEL 8721 SANITARY MAGMETER FLOW TUBE						
.X ± - [-]	.XX ± - [-]	DR. JAMES LAGE 08-27-15		DRAWING NO. 08721-0020				
.XXX ± - [-]	FRACTIONS ± -	APP'D MIKOLICHEK 08-31-15						
ANGLES ± -		DO NOT SCALE PRINT		CAD MAINTAINED (PRO/E)	PRODUCT CODE	DOC TYPE	SHEET 6 OF 8	

FORM REV AD



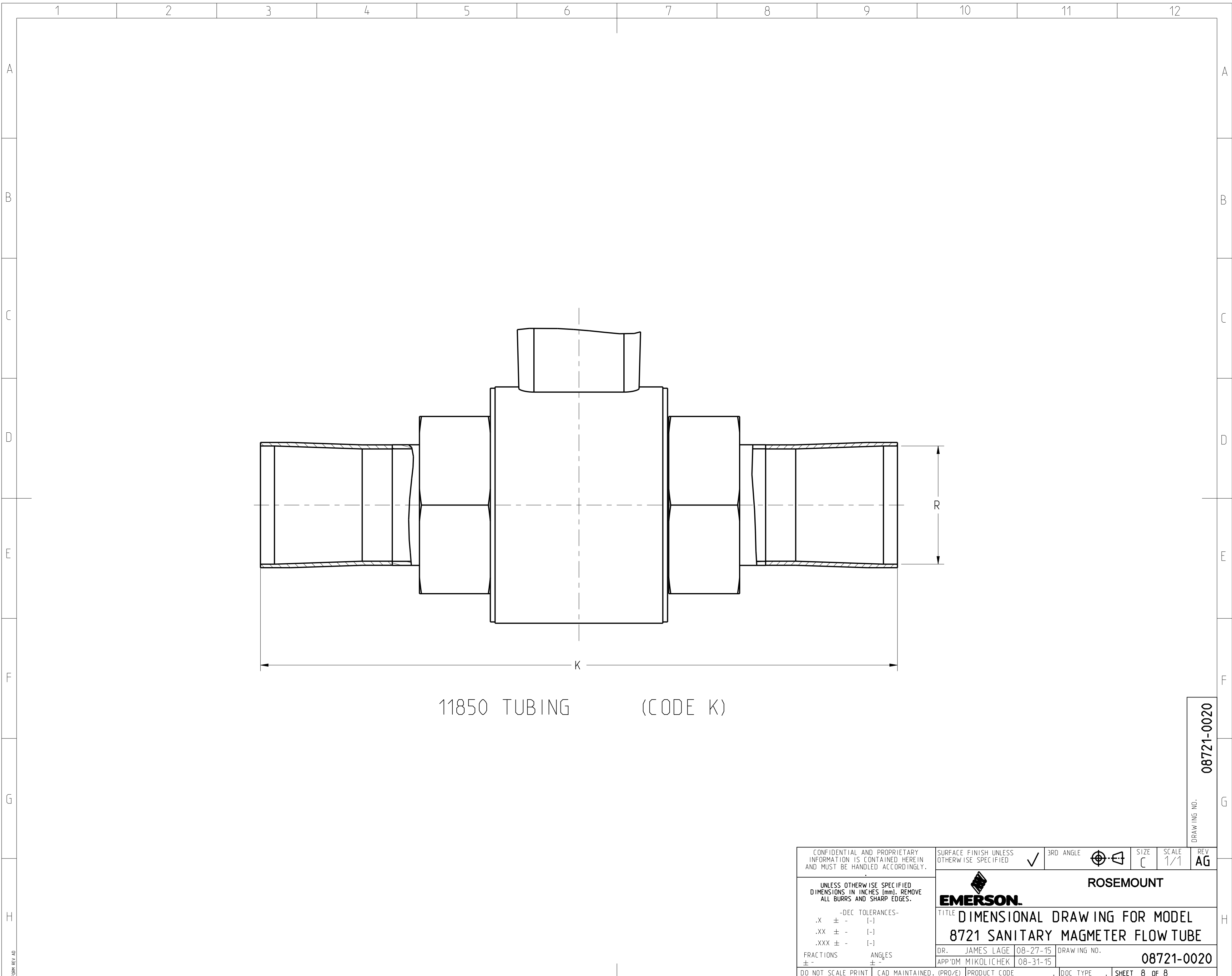
SMS1145 (CODE H)



CHERRY BURRELL I-LINE (CODE J)

CONFIDENTIAL AND PROPRIETARY INFORMATION IS CONTAINED HEREIN AND MUST BE HANDLED ACCORDINGLY.		SURFACE FINISH UNLESS OTHERWISE SPECIFIED	✓	3RD ANGLE		SIZE	SCALE	REV
UNLESS OTHERWISE SPECIFIED DIMENSIONS IN INCHES (mm). REMOVE ALL BURRS AND SHARP EDGES.		EMERSON		ROSEMOUNT		C	1/1	AG
-DEC TOLERANCES-		TITLE						
.X ± -	[-]	DIMENSIONAL DRAWING FOR MODEL						
.XX ± -	[-]	8721 SANITARY MAGMETER FLOW TUBE						
.XXX ± -	[-]	DR.	JAMES LAGE	08-27-15	DRAWING NO.	08721-0020		
FRACTIONS	ANGLES	APP'DM	MIKOLICHEK	08-31-15				
± -	± -	DO NOT SCALE PRINT		CAD MAINTAINED. (PRO/€)	PRODUCT CODE	DOC TYPE	SHEET 7 OF 8	

DRAWING NO. 08721-0020



11850 TUBING (CODE K)

DRAWING NO. 08721-0020

CONFIDENTIAL AND PROPRIETARY INFORMATION IS CONTAINED HEREIN AND MUST BE HANDLED ACCORDINGLY.		SURFACE FINISH UNLESS OTHERWISE SPECIFIED <input checked="" type="checkbox"/>		3RD ANGLE	SIZE C	SCALE 1/1	REV AG
UNLESS OTHERWISE SPECIFIED DIMENSIONS IN INCHES (mm). REMOVE ALL BURRS AND SHARP EDGES.		EMERSON ROSEMOUNT					
-DEC TOLERANCES-		TITLE DIMENSIONAL DRAWING FOR MODEL 8721 SANITARY MAGMETER FLOW TUBE					
.X ± -	[-]	DR. JAMES LAGE		08-27-15		DRAWING NO. 08721-0020	
.XX ± -	[-]	APP'D MIKOLICHEK		08-31-15			
.XXX ± -	[-]						
FRACTIONS ± -	ANGLES ± -						
DO NOT SCALE PRINT		CAD MAINTAINED. (PRO/E)		PRODUCT CODE		DOC TYPE SHEET 8 OF 8	

FORM REV AD