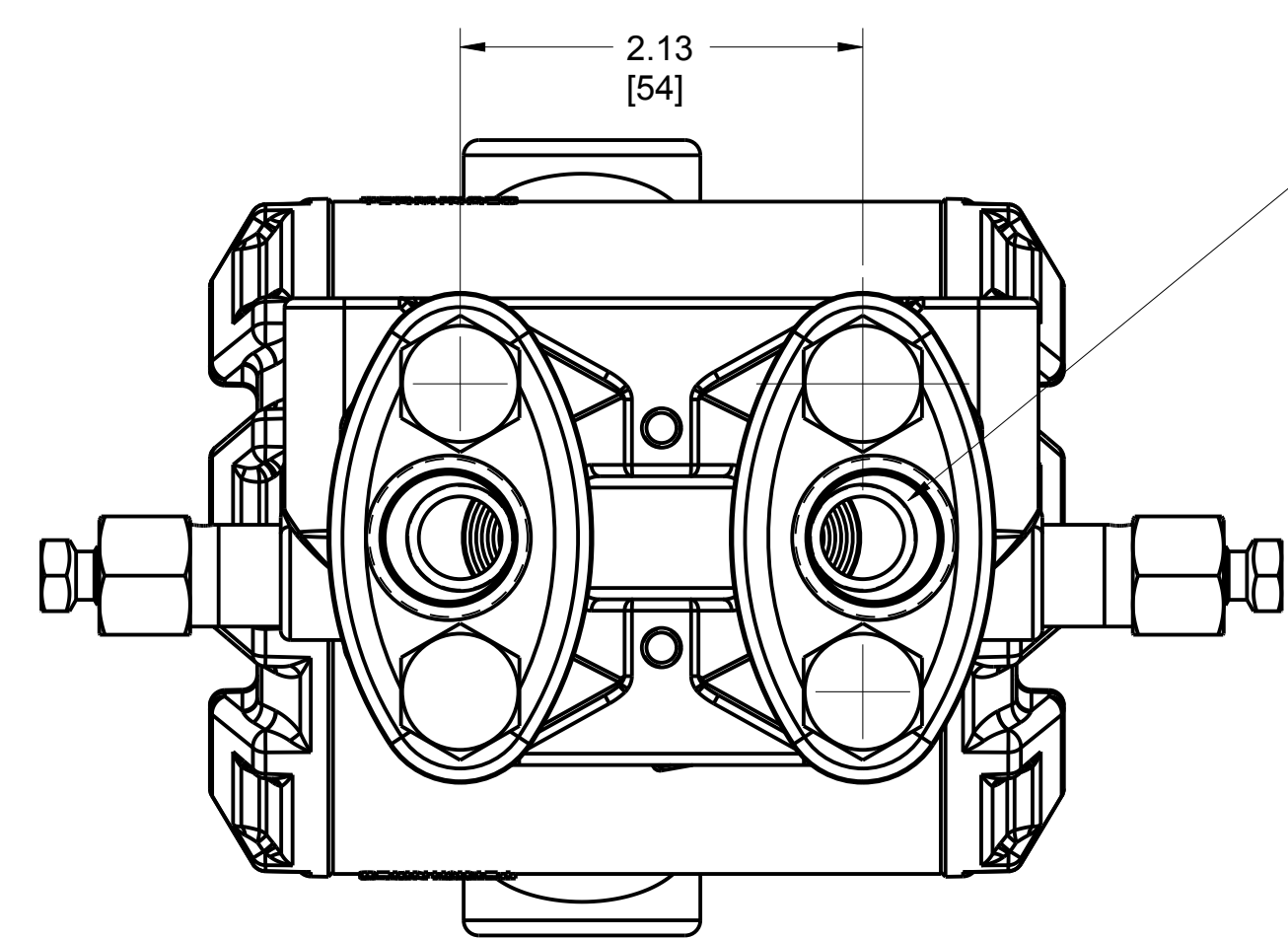
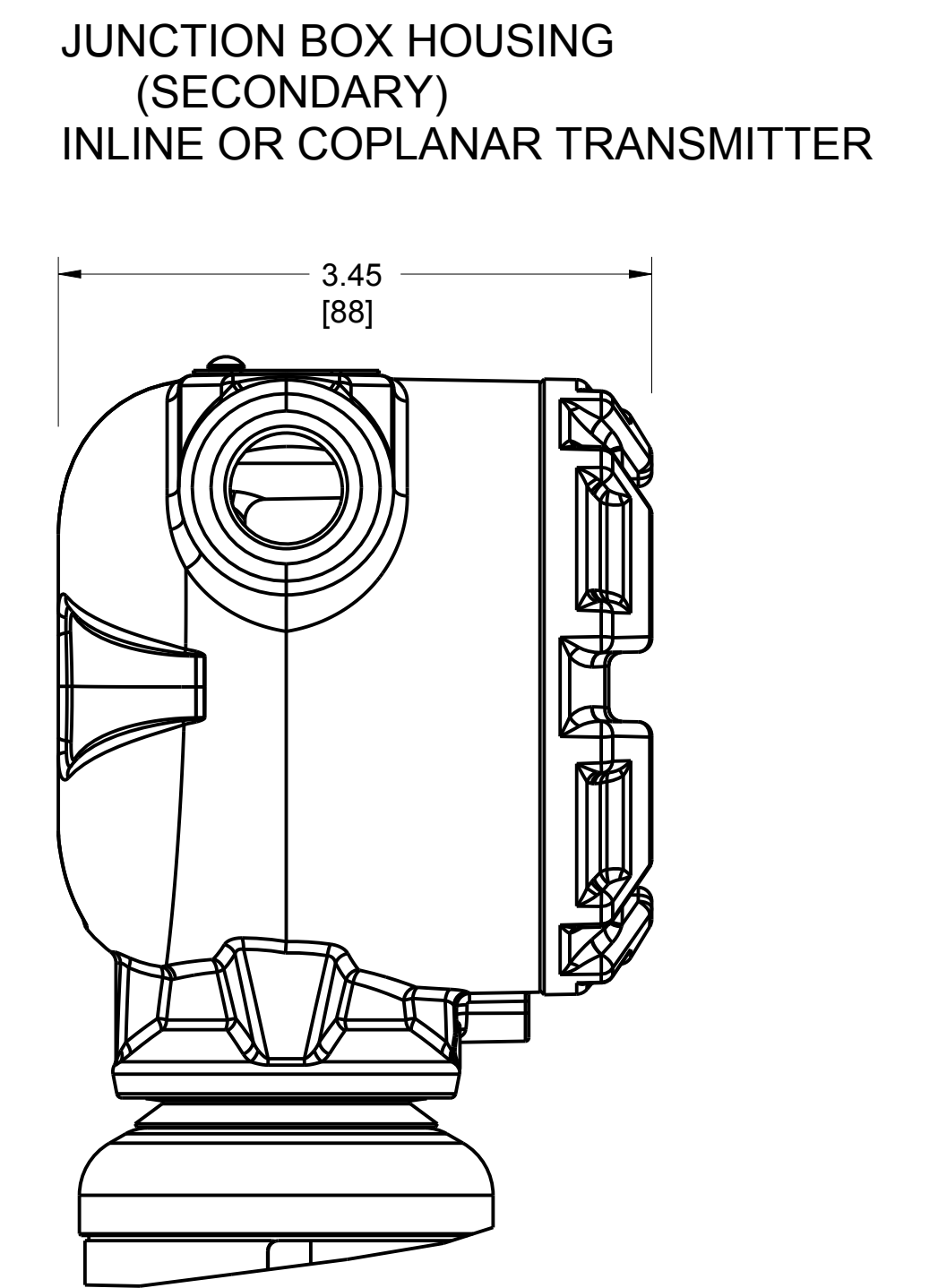
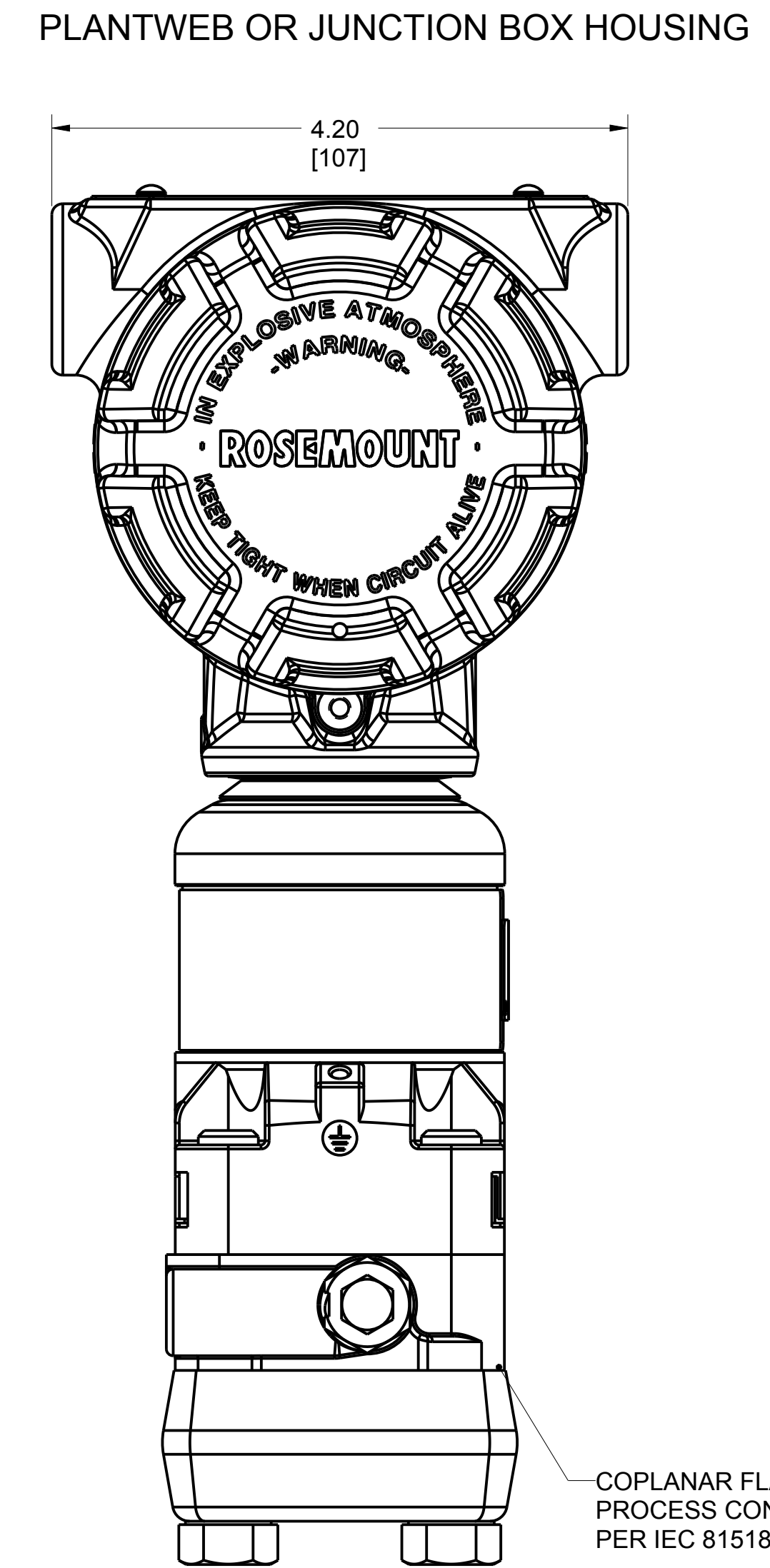
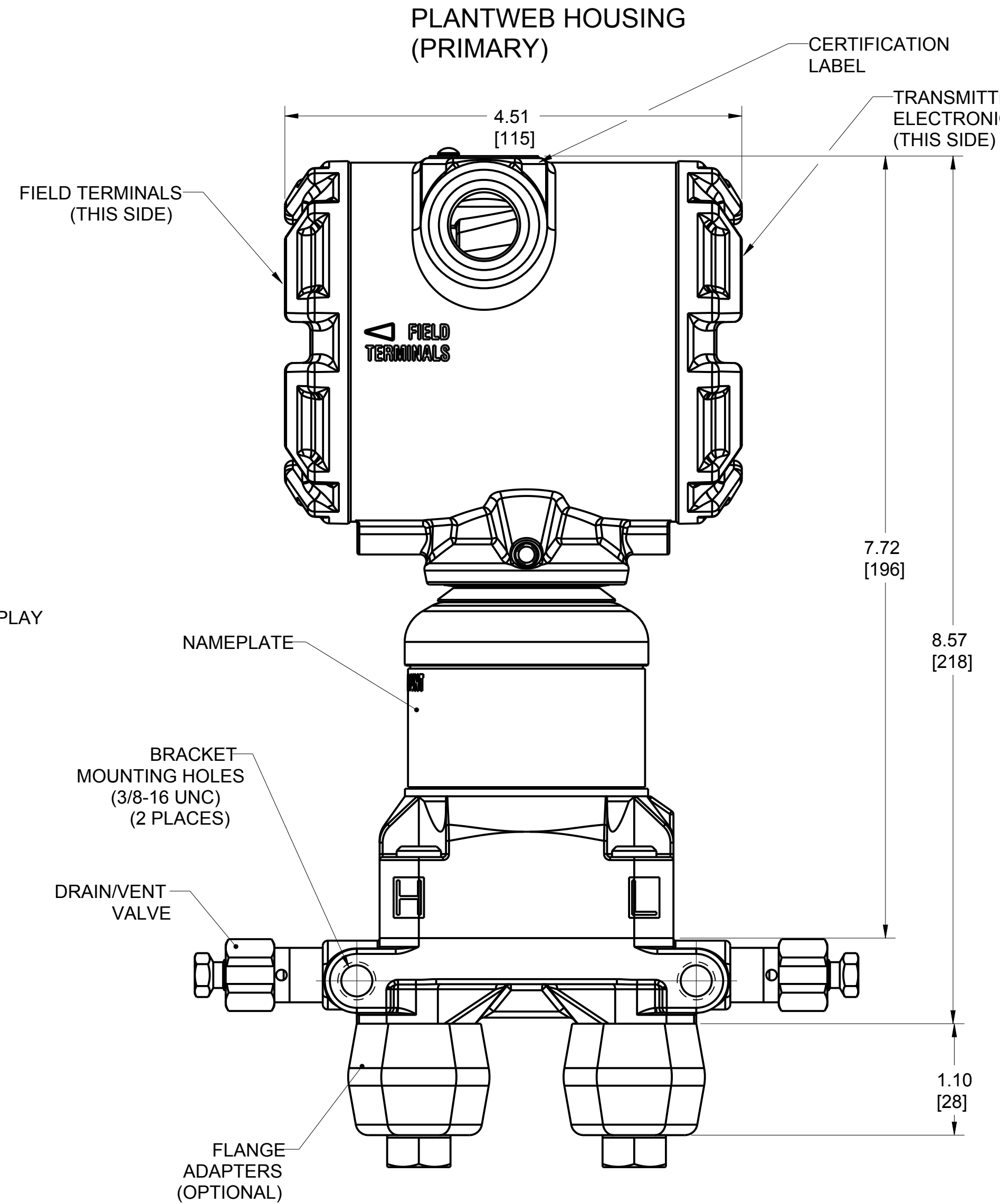
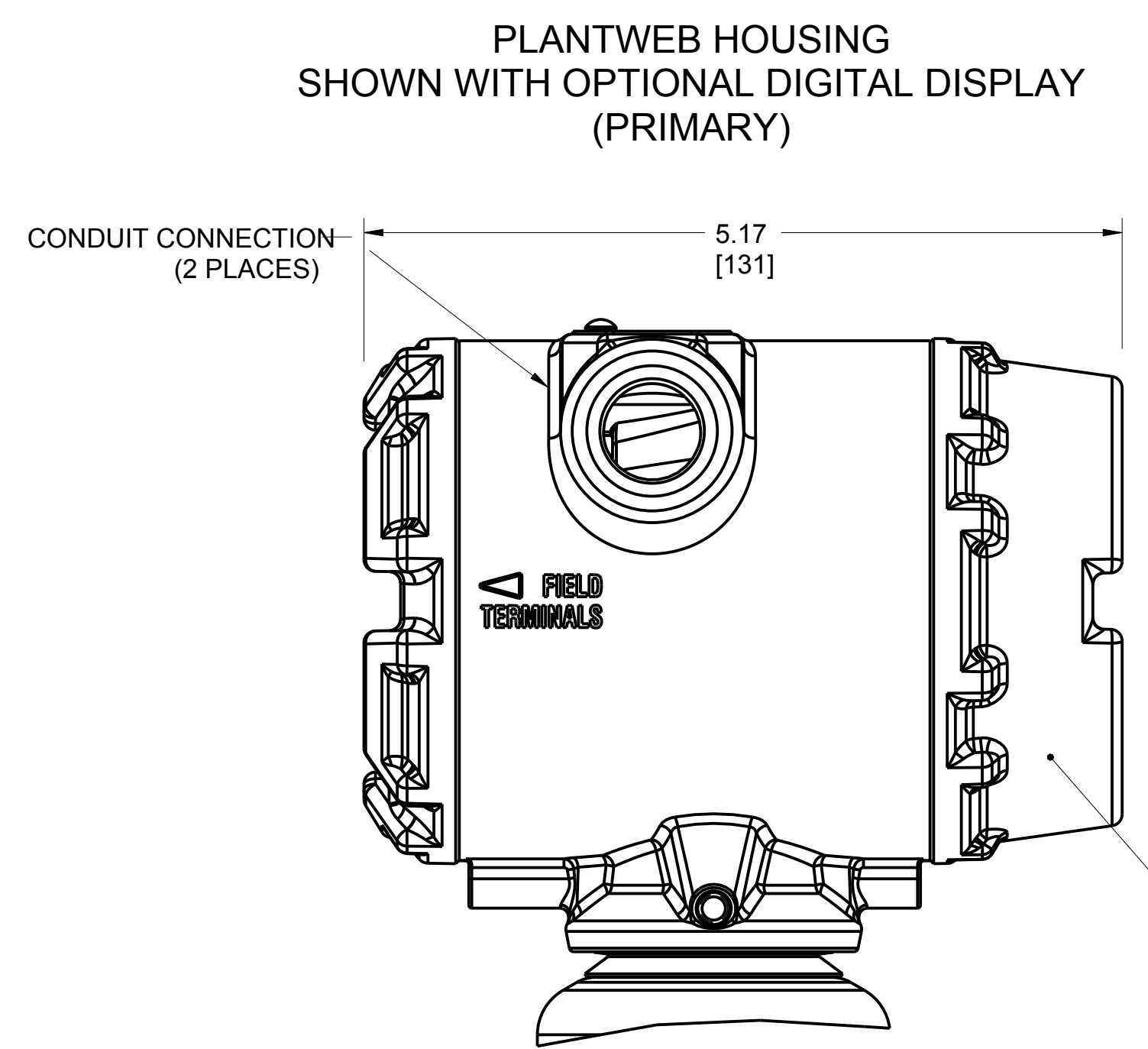


# ROSEMOUNT 3051SAM SCALABLE PRESSURE TRANSMITTER COPLANAR FLANGE PROCESS CONNECTION

REVISION TABLE			
REVISION	ECO NO.	APP'D	DATE
AB	RTC1066757	N. STOKES	10/21/2016
DESCRIPTION			
ADD IN-LINE LEVEL SEAL			



©2015 ROSEMOUNT INC.  
ROSEMOUNT INC. CERTIFIES THIS DRAWING TO BE IN ACCORDANCE WITH ROSEMOUNT ENGINEERING SPECIFICATIONS. UNIT NOTES IN INCHES (mm).  
REFERENCE ROSEMOUNT PRODUCT SPECIFICATIONS. CLICK HERE

3RD ANGLE

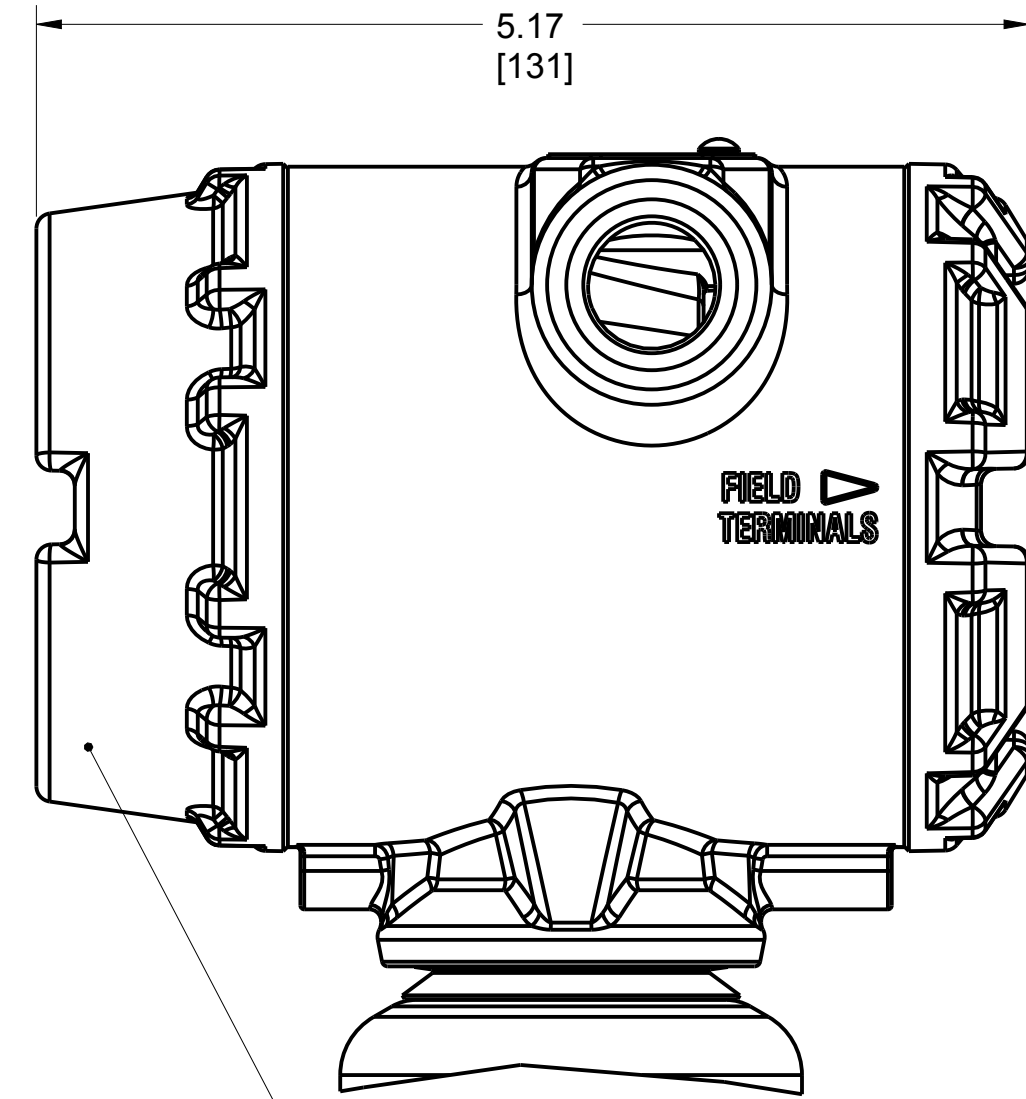
EMERSON

TITLE ROSEMOUNT 3051SAM ERS  
TYPE I DRAWING

DR.	JLA	3/8/13	DRAWING NO.	03151-7001
APP'D	PAUL FADELL	3/8/13		
CAD MAINTAINED, (PROE)				SHEET 1 OF 8

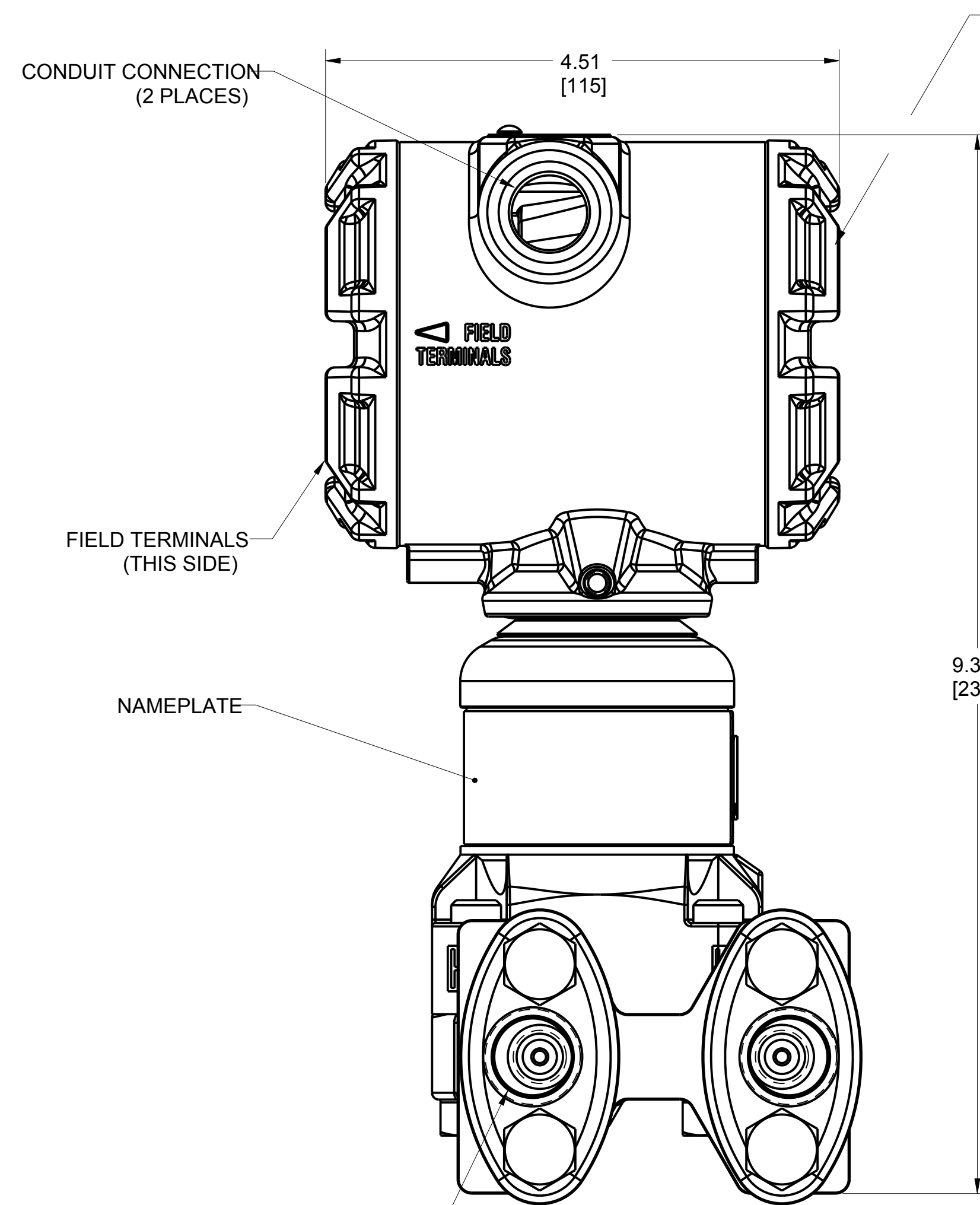
# ROSEMOUNT 3051SAM SCALABLE PRESSURE TRANSMITTER TRADITIONAL FLANGE PROCESS CONNECTION

PLANTWEB HOUSING  
SHOWN WITH OPTIONAL DIGITAL DISPLAY  
(PRIMARY)

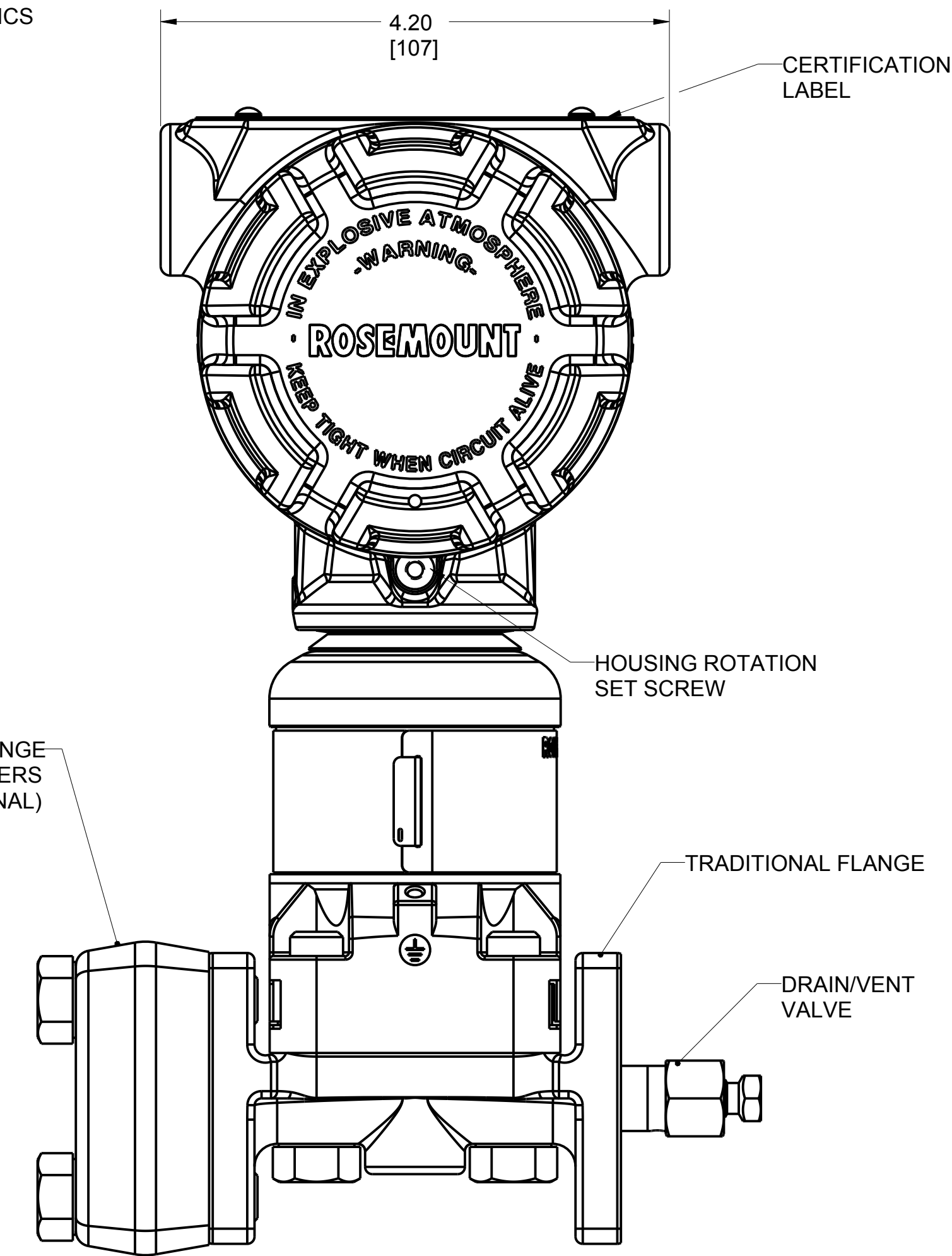


DIGITAL DISPLAY  
COVER

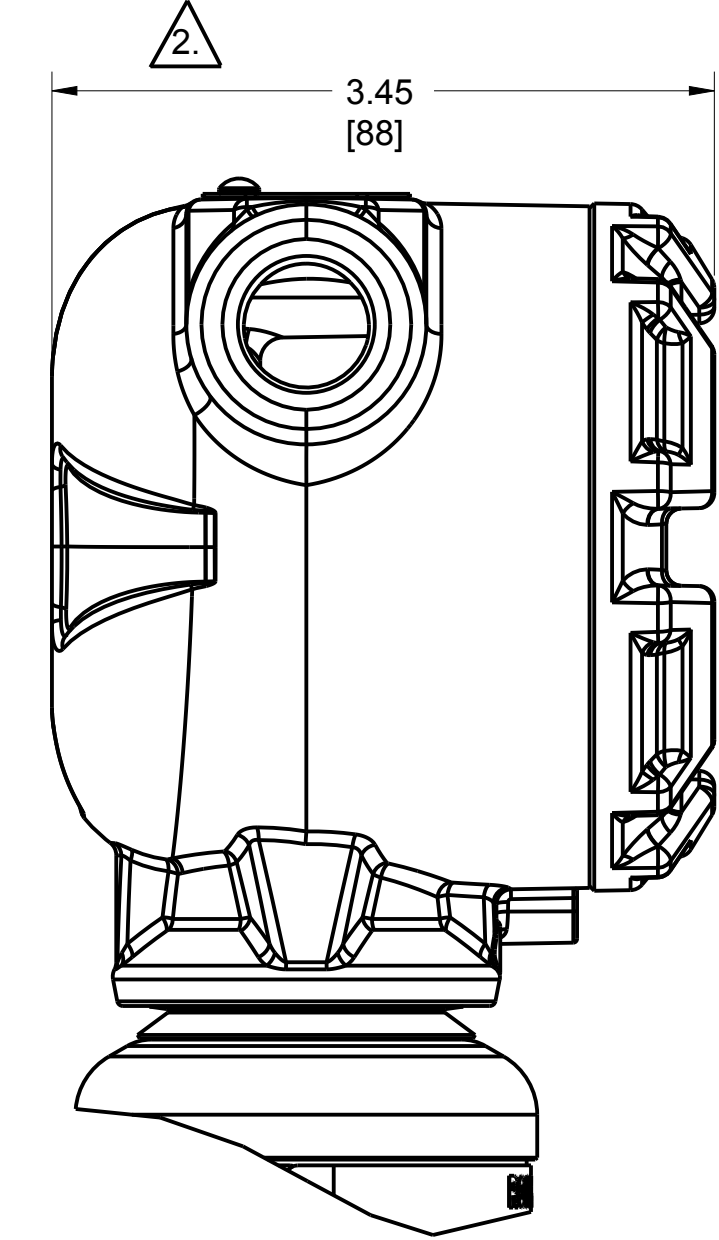
PLANTWEB HOUSING  
(PRIMARY)



1/4-18 NPT PROCESS CONNECTION OR  
1/2-14 NPT WITH OPTIONAL FLANGE  
ADAPTERS. ADAPTERS CAN BE ROTATED  
TO PROVIDE CONNECTION CENTERS OF  
2.00 [51], 2.126 [54], OR 2.25 [57].



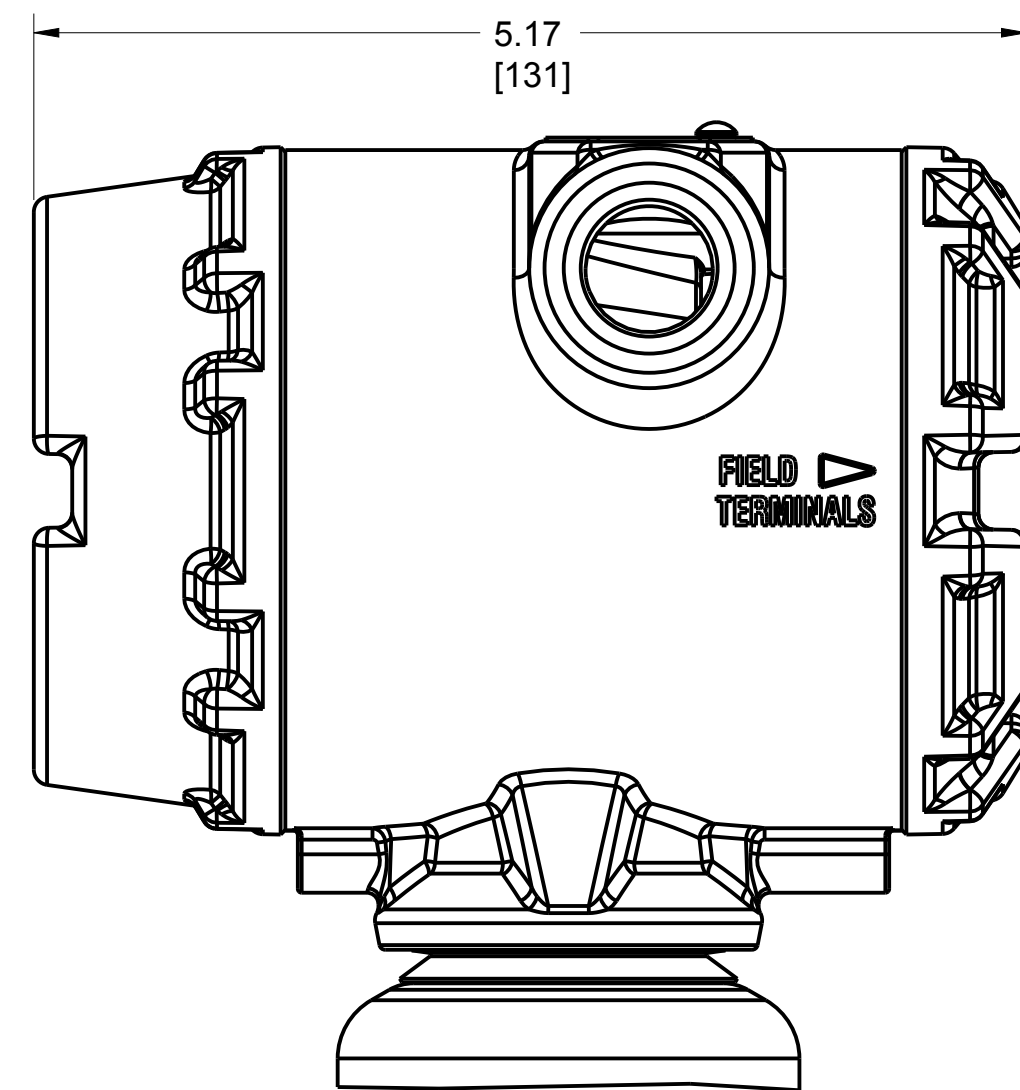
JUNCTION BOX HOUSING  
(SECONDARY)  
INLINE OR COPLANAR TRANSMITTER



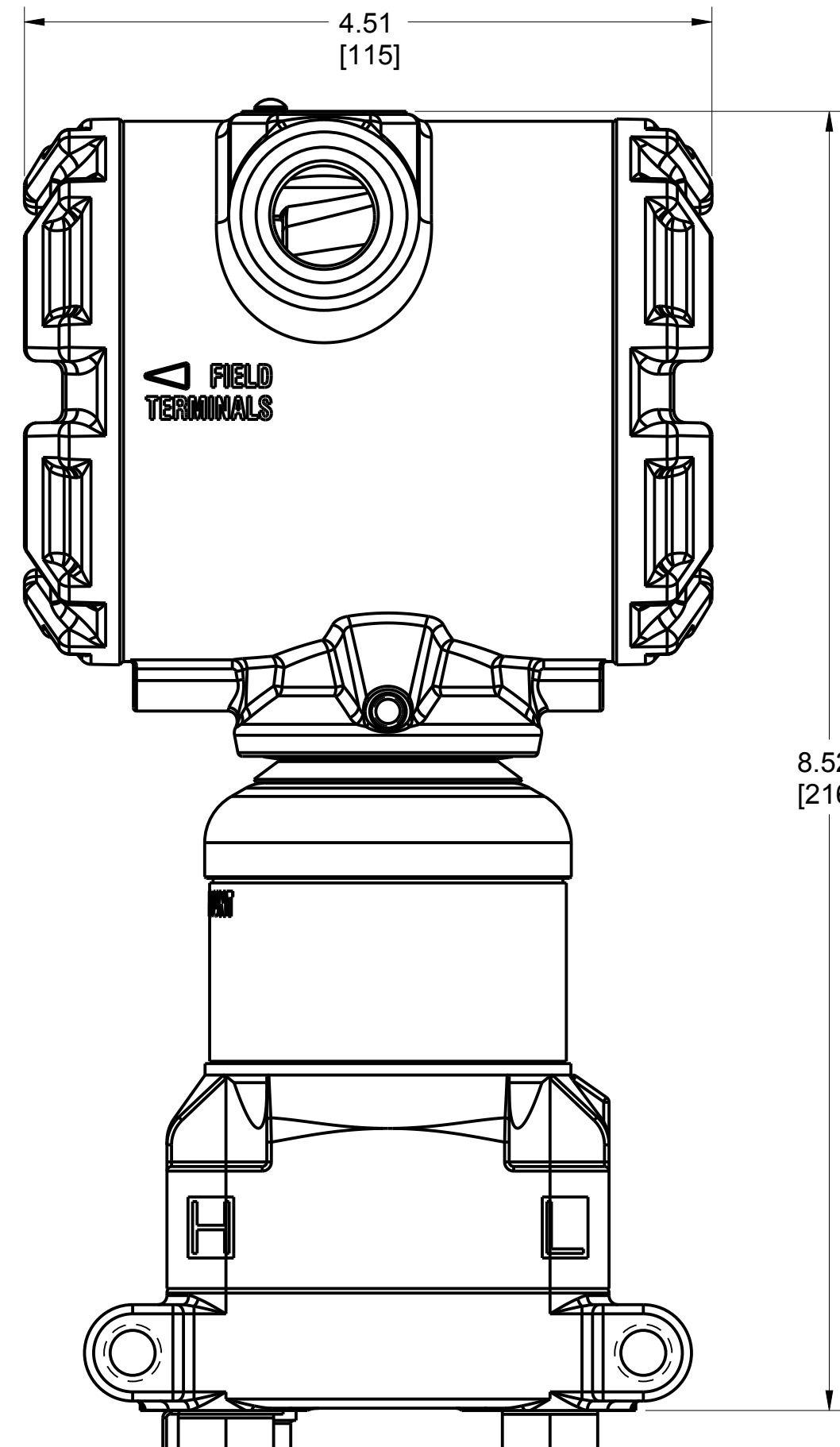
©2015 ROSEMOUNT INC. ROSEMOUNT INC. CERTIFIES THIS DRAWING TO BE IN ACCORDANCE WITH ROSEMOUNT ENGINEERING SPECIFICATIONS. UNIT NOTES IN INCHES (mm). REFERENCE ROSEMOUNT PRODUCT SPECIFICATIONS. CLICK HERE	3RD ANGLE	SIZE D	SCALE NTS
	TITLE <b>ROSEMOUNT 3051SAM ERS TYPE I DRAWING</b>		
	DR. JLA 3/8/13 APP'D PF 3/8/13	DRAWING NO. <b>03151-7001</b>	SHEET 2 OF 8

ROSEMOUNT 3051SAM PRESSURE TRANSMITTER COPLANAR FLANGE  
 PROCESS CONNECTION WITH CAPILLARY AND DIRECT MOUNT SEALS

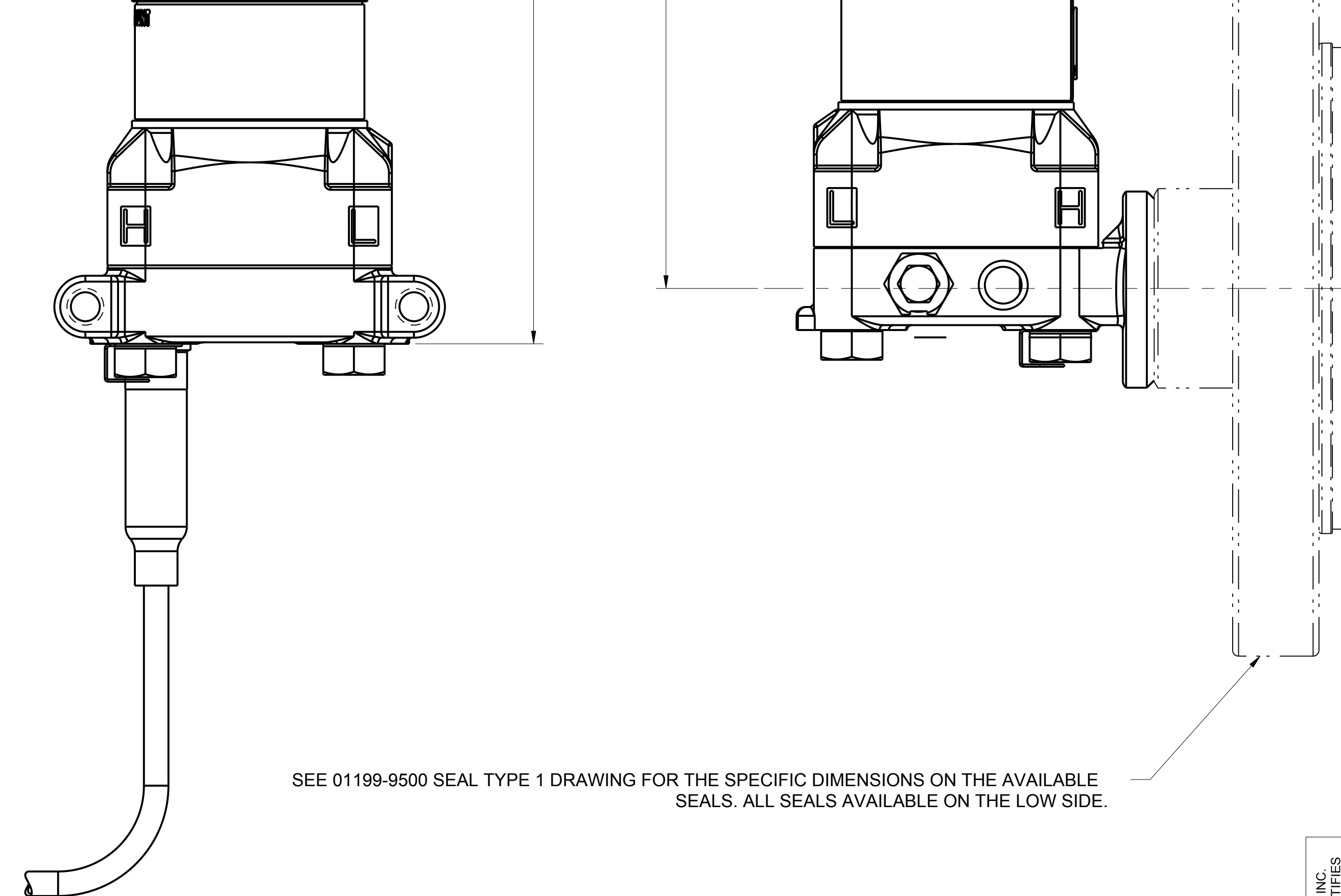
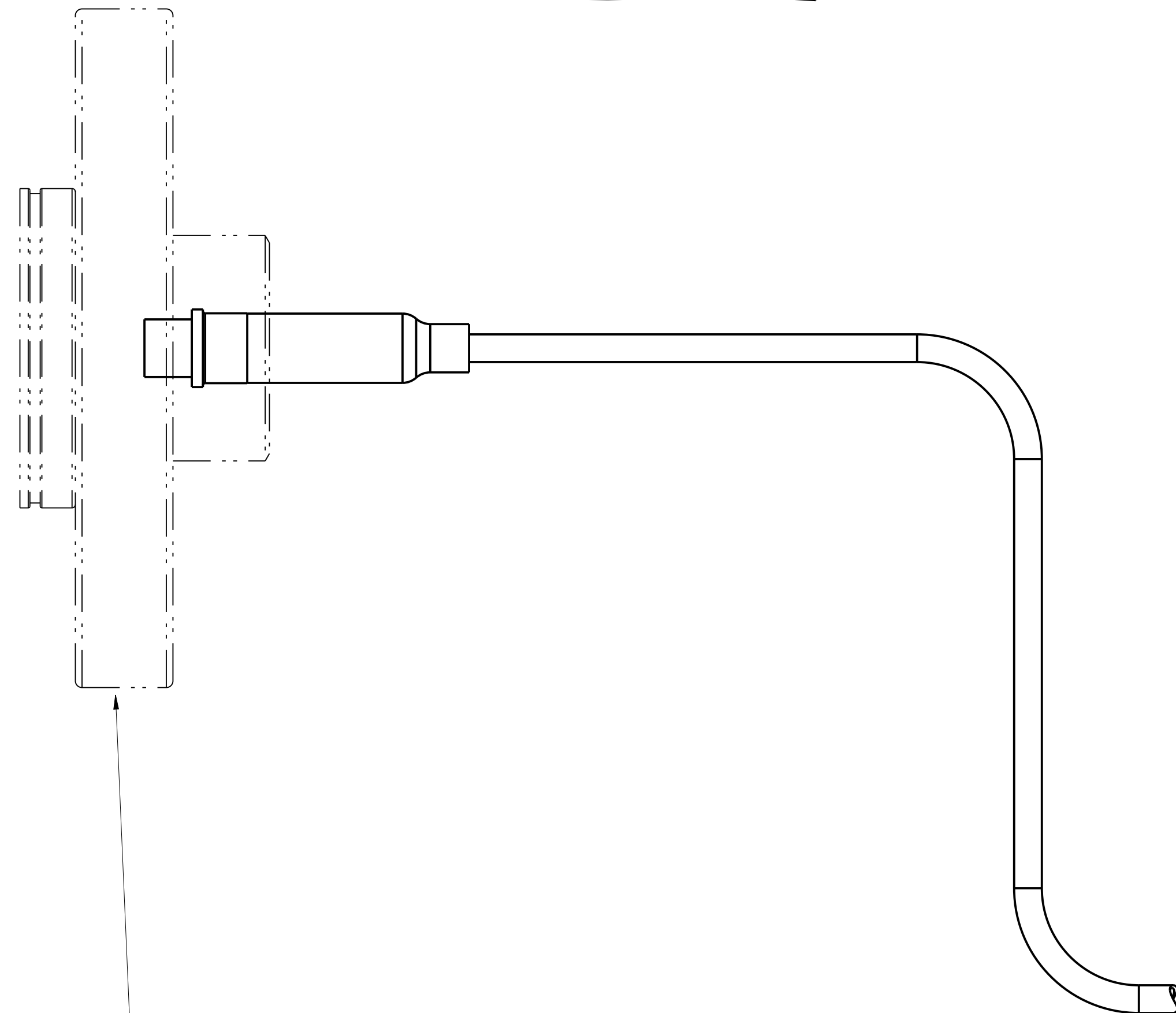
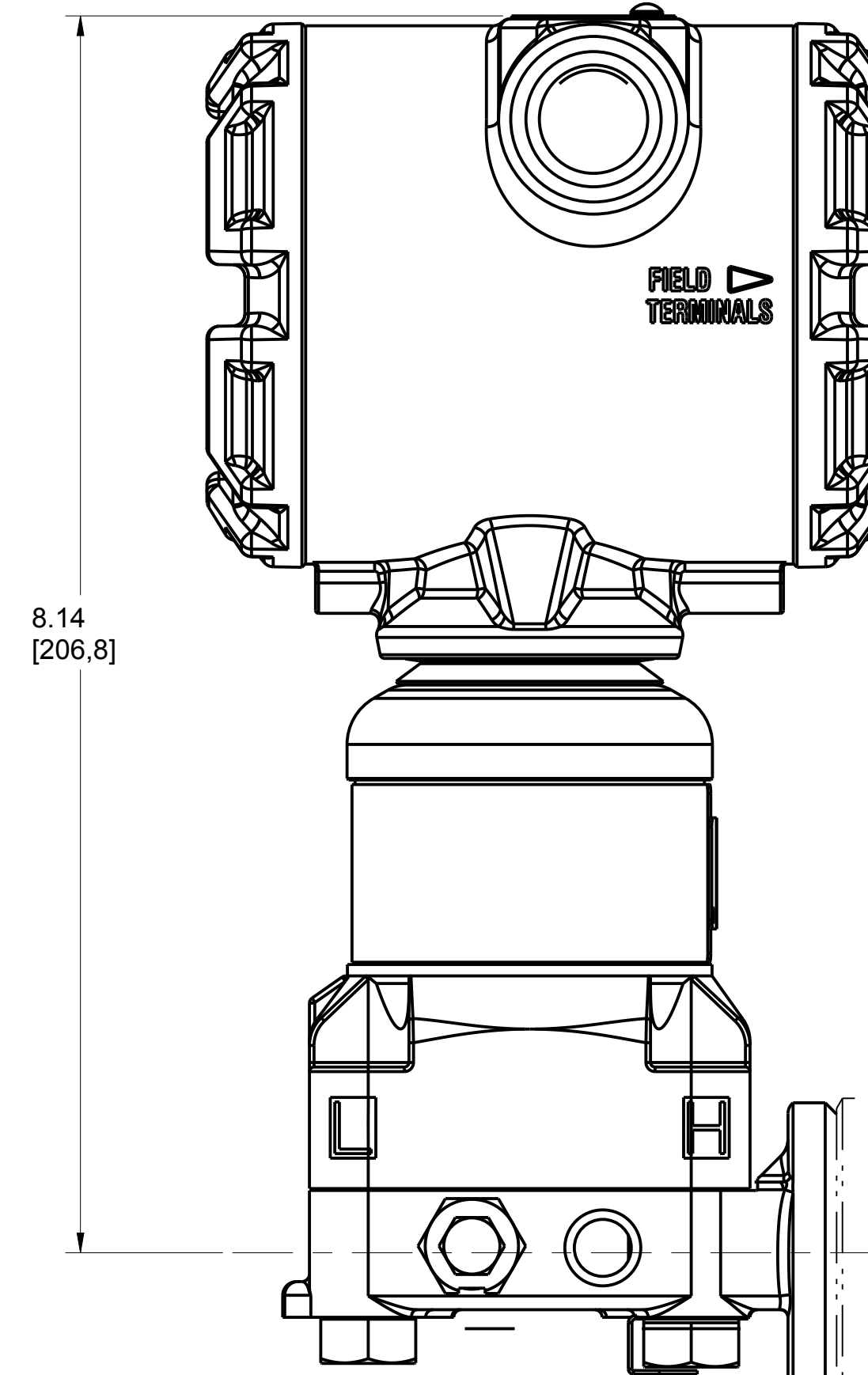
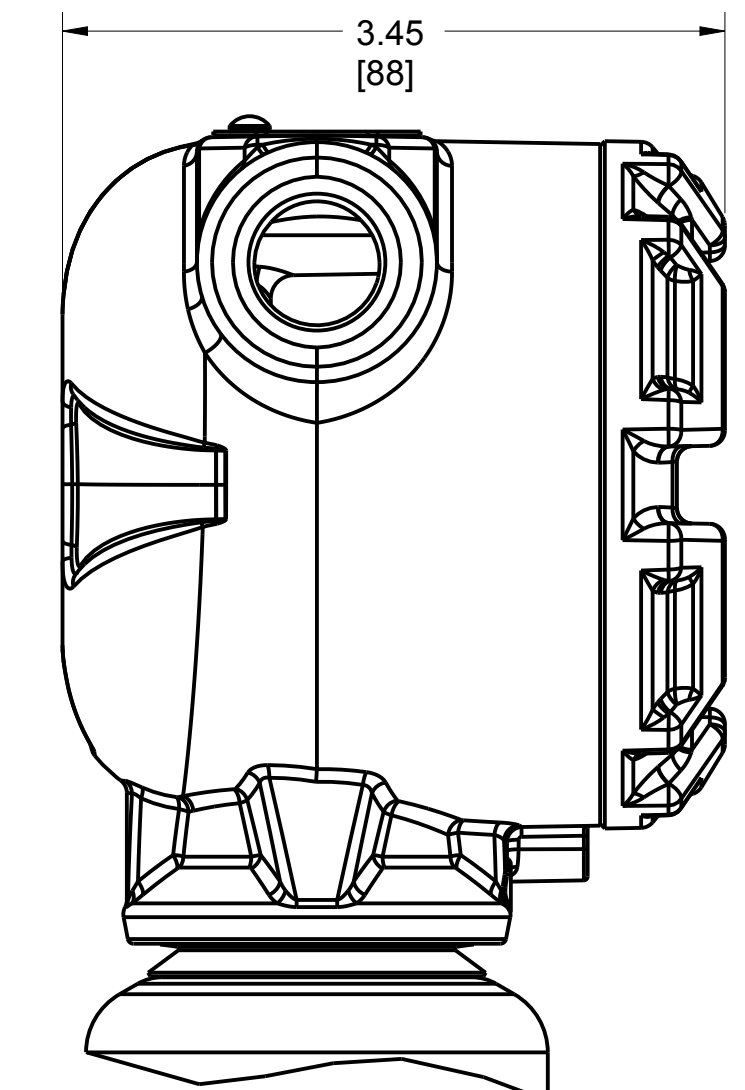
PLANTWEB HOUSING  
 SHOWN WITH OPTIONAL DIGITAL DISPLAY  
 (PRIMARY)



PLANTWEB HOUSING  
 (PRIMARY)



JUNCTION BOX HOUSING  
 (SECONDARY)  
 INLINE OR COPLANAR TRANSMITTER

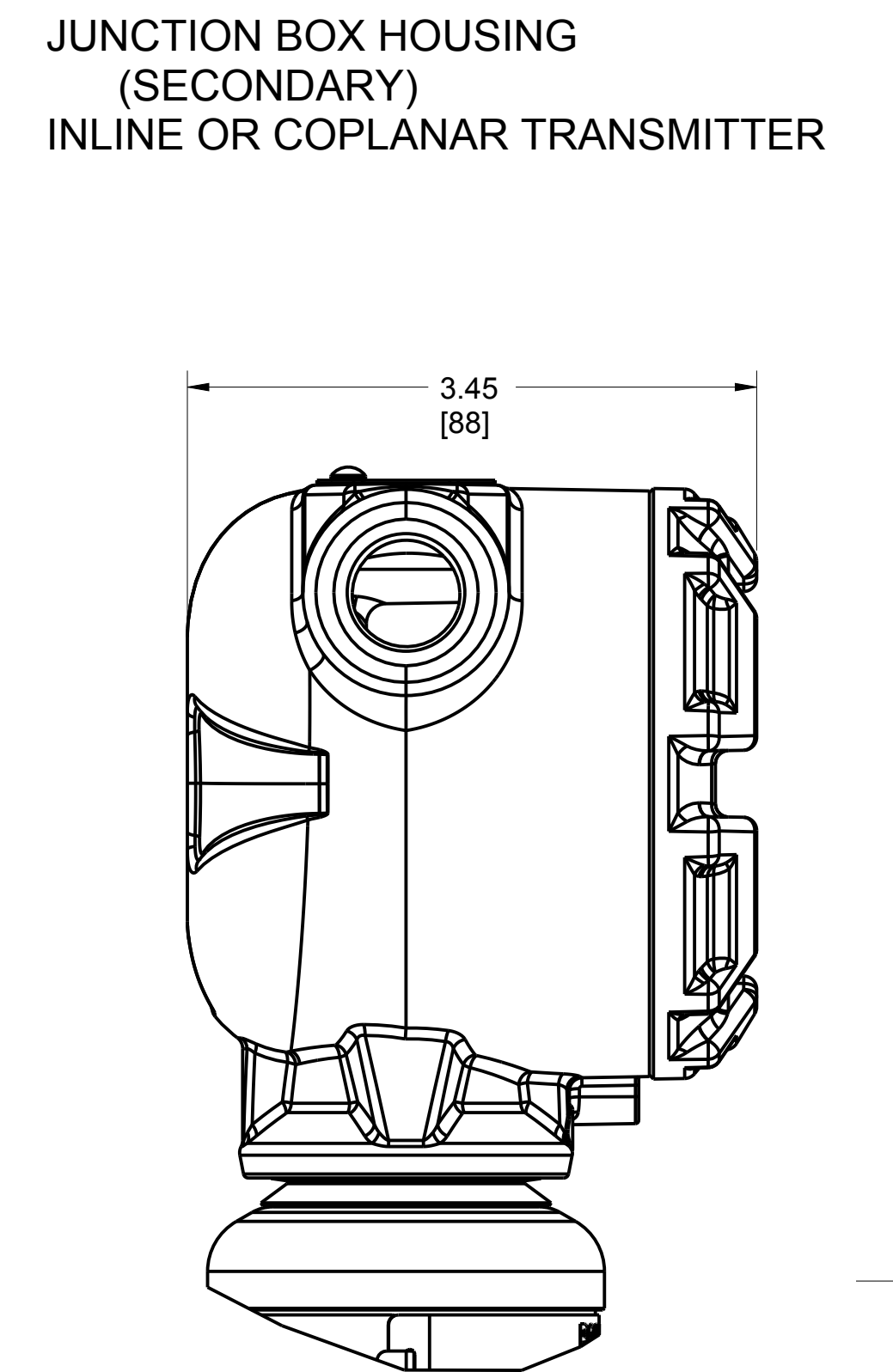
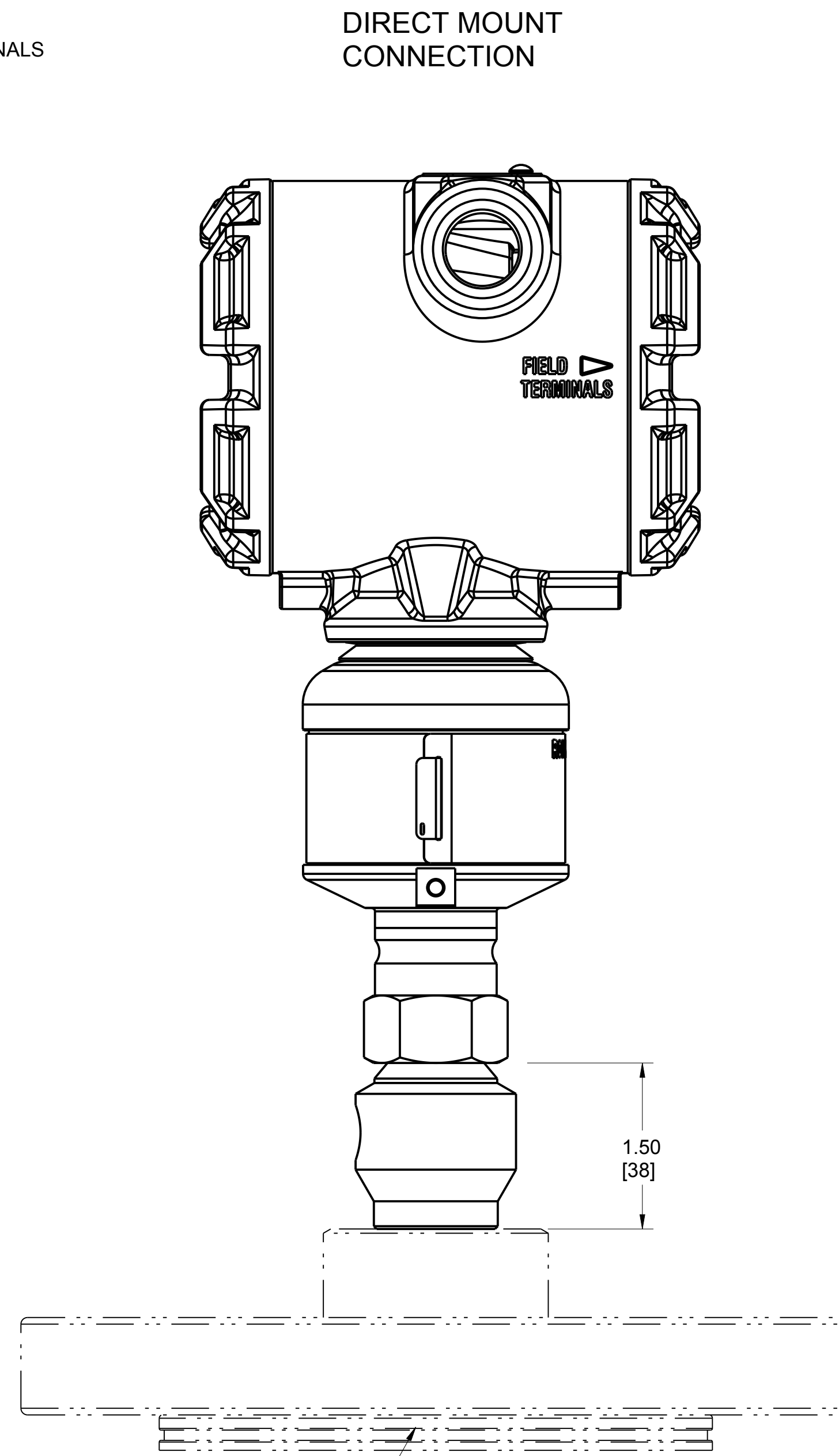
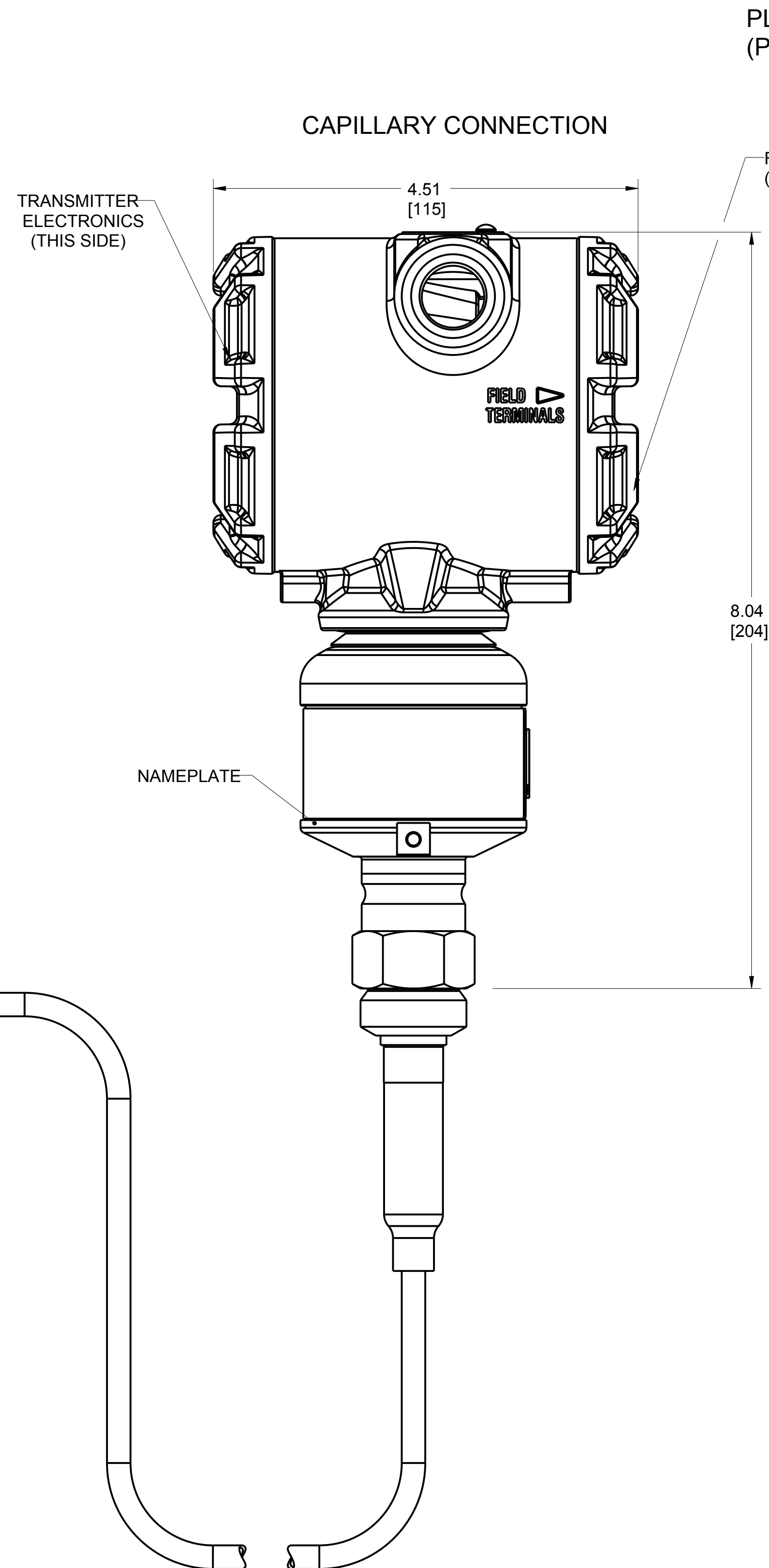
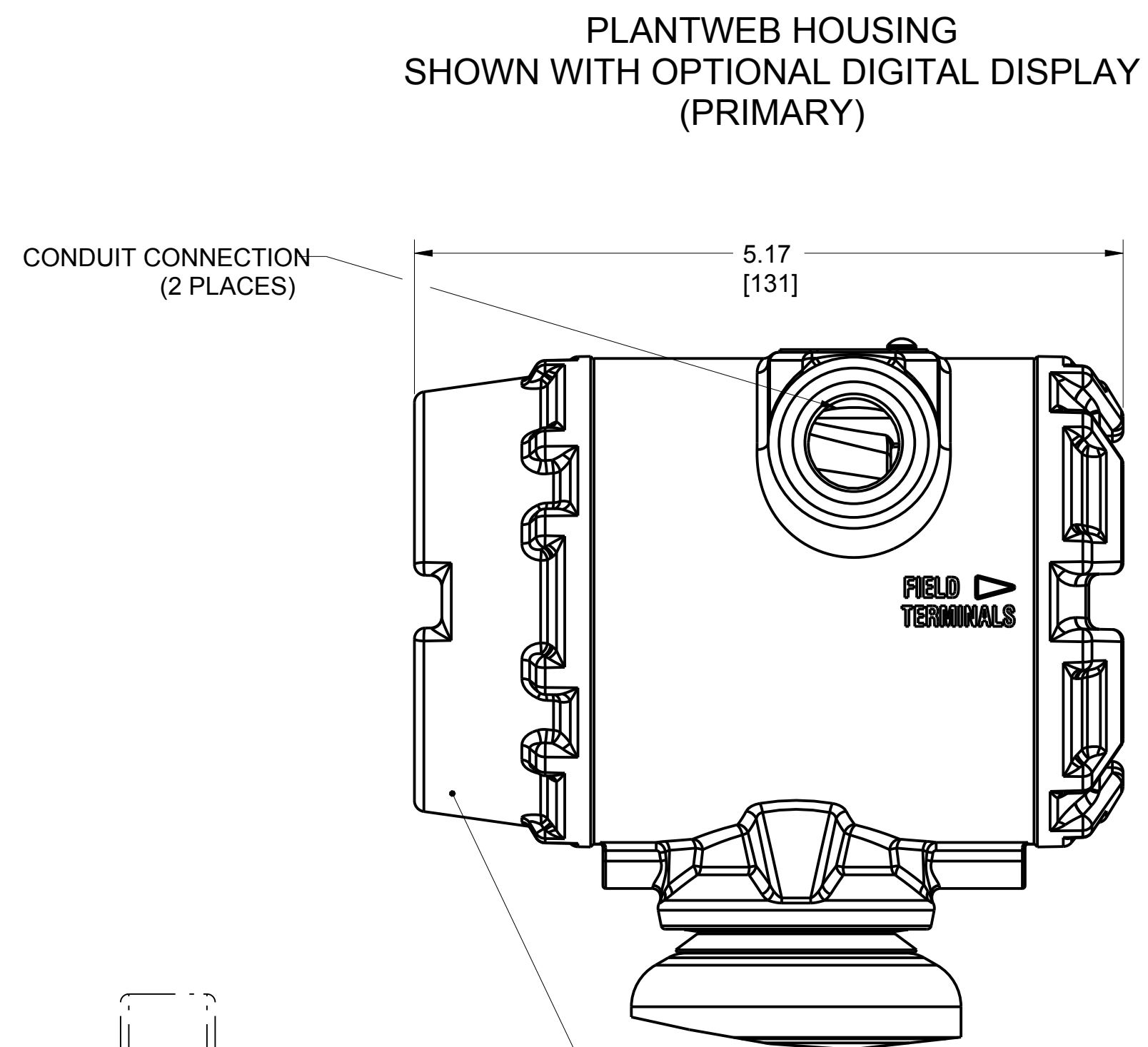


SEE 01199-9500 SEAL TYPE 1 DRAWING FOR THE SPECIFIC DIMENSIONS ON THE AVAILABLE SEALS. ALL SEALS AVAILABLE ON THE LOW SIDE.

SEE 01199-9500 SEAL TYPE 1 DRAWING FOR THE SPECIFIC DIMENSIONS ON THE AVAILABLE SEALS. ALL SEALS AVAILABLE ON THE LOW SIDE.

©2015 ROSEMOUNT INC. ROSEMOUNT INC. CERTIFIES THIS DRAWING TO BE IN ACCORDANCE WITH ROSEMOUNT ENGINEERING SPECIFICATIONS. UNIT NOTES IN INCHES (mm). REFERENCE ROSEMOUNT PRODUCT SPECIFICATIONS. CLICK HERE	3RD ANGLE		SIZE D	SCALE NTS
	TITLE ROSEMOUNT 3051SAM ERS TYPE I DRAWING			
	DR. JLA 3/8/13	APPD. PF 3/8/13	DRAWING NO.	03151-7001
CAD MAINTAINED, (PROE)			SHEET 3 OF 8	

ROSEMOUNT 3051SAM PRESSURE TRANSMITTER IN-LINE  
 PROCESS CONNECTION WITH CAPILLARY AND DIRECT MOUNT SEALS



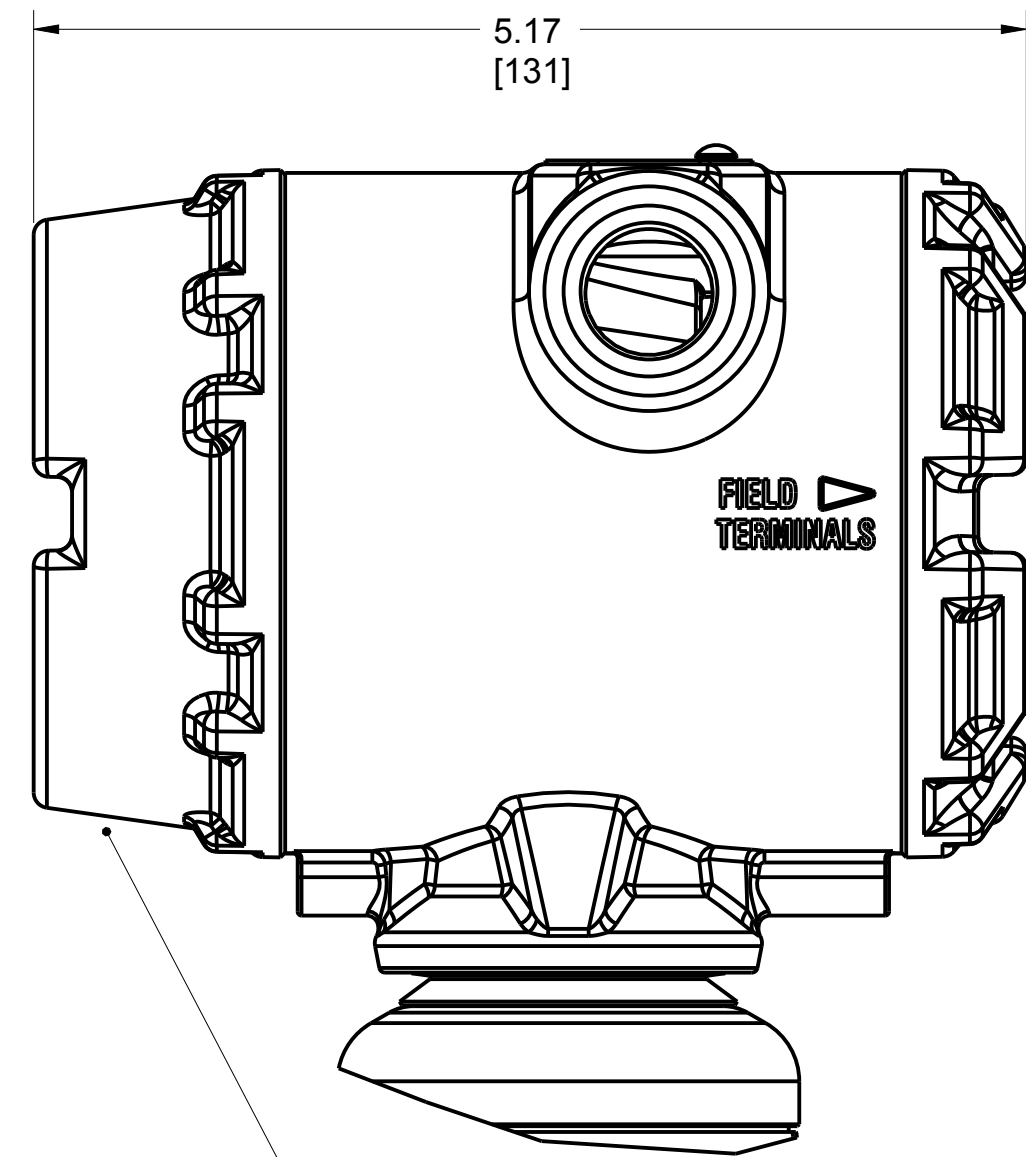
SEE 01199-9500 SEAL TYPE 1 DRAWING FOR THE SPECIFIC DIMENSIONS ON THE AVAILABLE SEALS. ALL SEALS AVAILABLE ON THE LOW SIDE.

SEE 01199-9500 SEAL TYPE 1 DRAWING FOR THE SPECIFIC DIMENSIONS ON THE AVAILABLE SEALS. ALL SEALS AVAILABLE ON THE LOW SIDE.

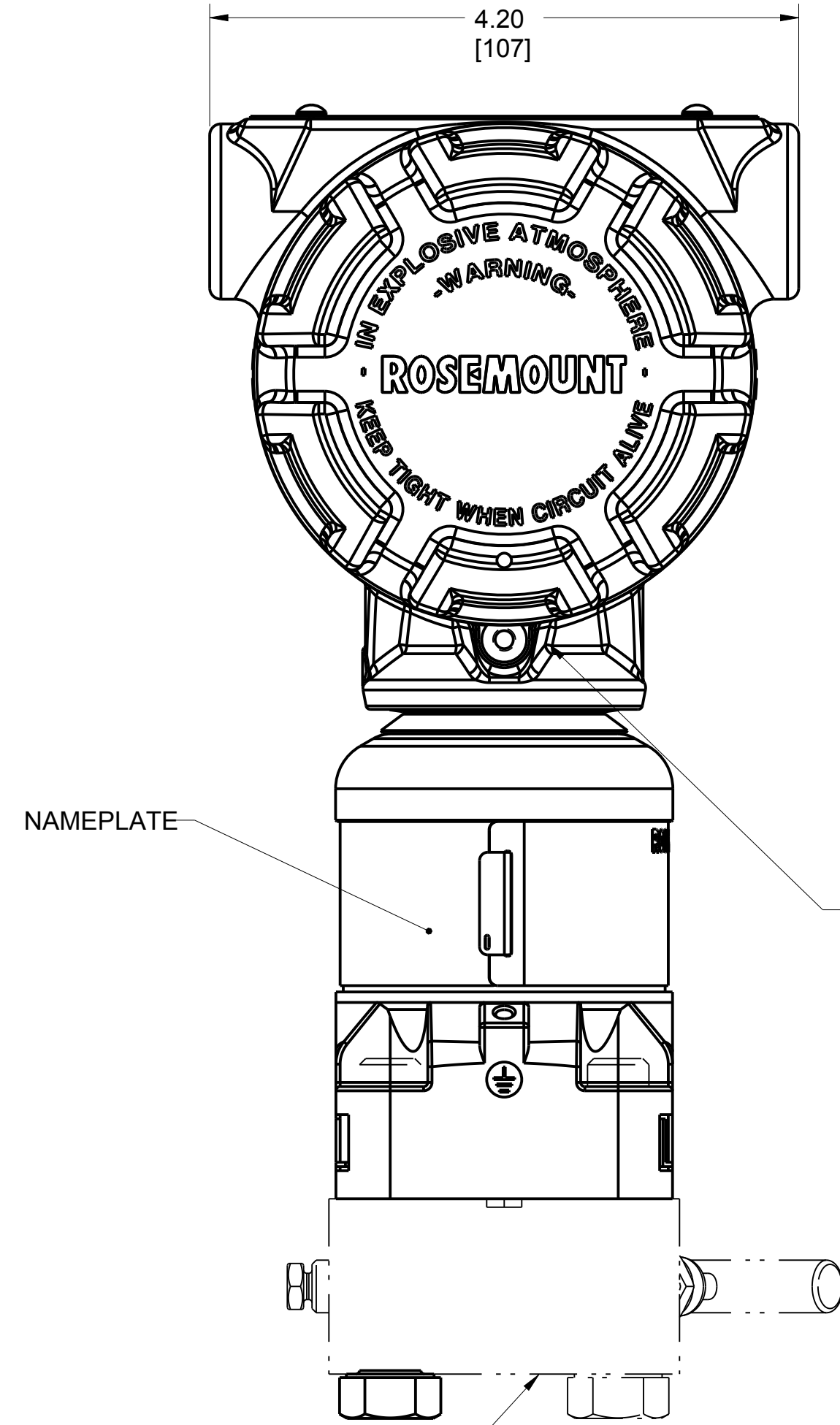
©2015 ROSEMOUNT INC. ROSEMOUNT INC. CERTIFIES THIS DRAWING TO THE REQUIREMENTS OF THE ACCORDANCE WITH ROSEMOUNT ENGINEERING SPECIFICATIONS. UNIT NOTES IN INCHES (mm). REFERENCE ROSEMOUNT PRODUCT SPECIFICATIONS. CLICK HERE	3RD ANGLE	SIZE D	SCALE NTS
	<b>EMERSON</b>		
	TITLE ROSEMOUNT 3051SAM ERS TYPE I DRAWING		
	DR. JLA 3/8/13 APPD. PF 3/8/13	DRAWING NO. 03151-7001	
CAD MAINTAINED, (PROE)		SHEET 4 OF 8	

ROSEMOUNT 3051SAM PRESSURE TRANSMITTER COPLANAR FLANGE  
 PROCESS CONNECTION WITH CAPILLARY AND DIRECT MOUNT SEALS

PLANTWEB HOUSING  
 SHOWN WITH OPTIONAL DIGITAL DISPLAY  
 (PRIMARY)



PLANTWEB HOUSING  
 (PRIMARY)

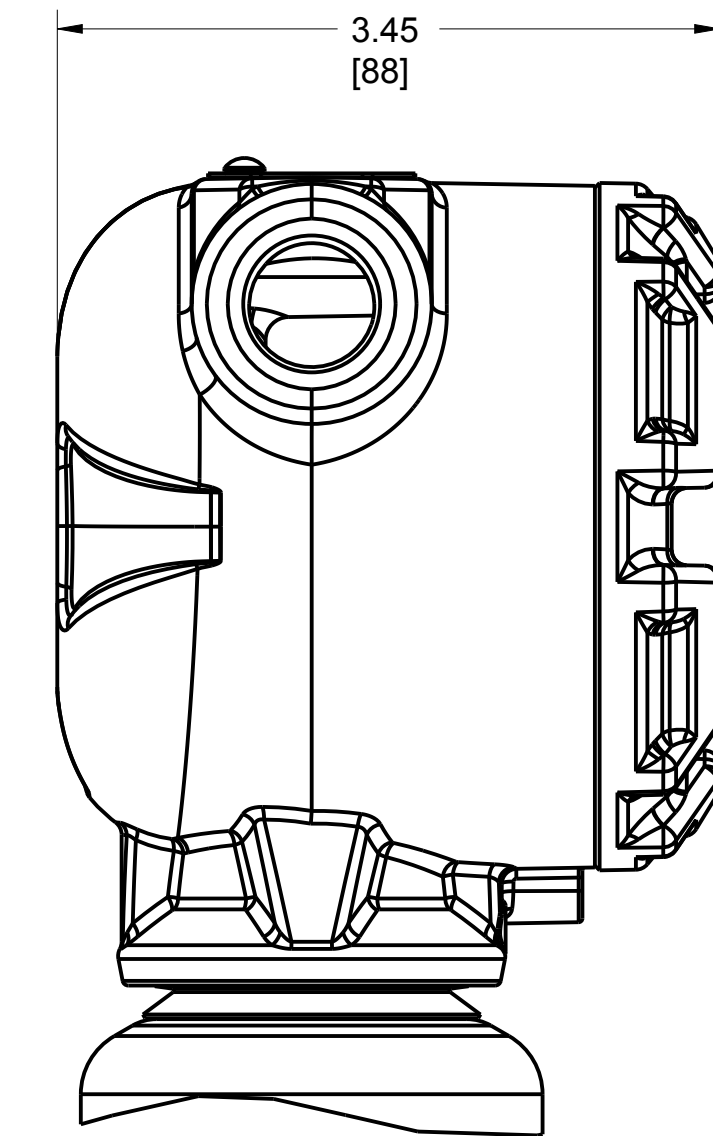


CONDUIT CONNECTION  
 (2 PLACES)

FIELD TERMINALS  
 (THIS SIDE)

HOUSING ROTATION  
 SET SCREW

JUNCTION BOX HOUSING  
 (SECONDARY)  
 INLINE OR COPLANAR TRANSMITTER



CERTIFICATION  
 LABEL

TRANSMITTER  
 ELECTRONICS  
 (THIS SIDE)

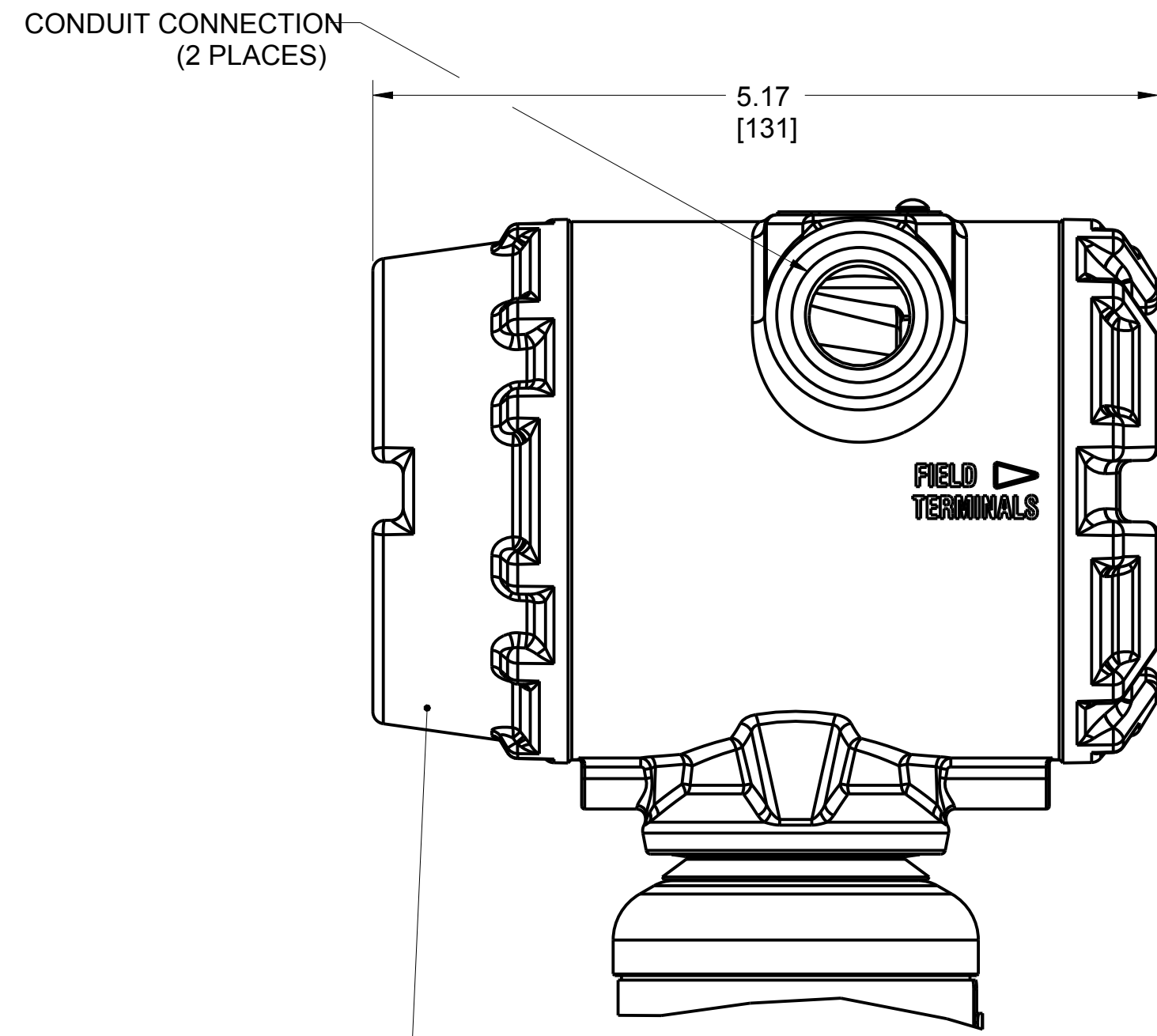
DIGITAL DISPLAY  
 COVER

AVAILABLE WITH 305 MANIFOLDS. SEE 2 VALVE  
 MANIFOLD TYPE 1 DRAWINGS FOR DIMENSIONS

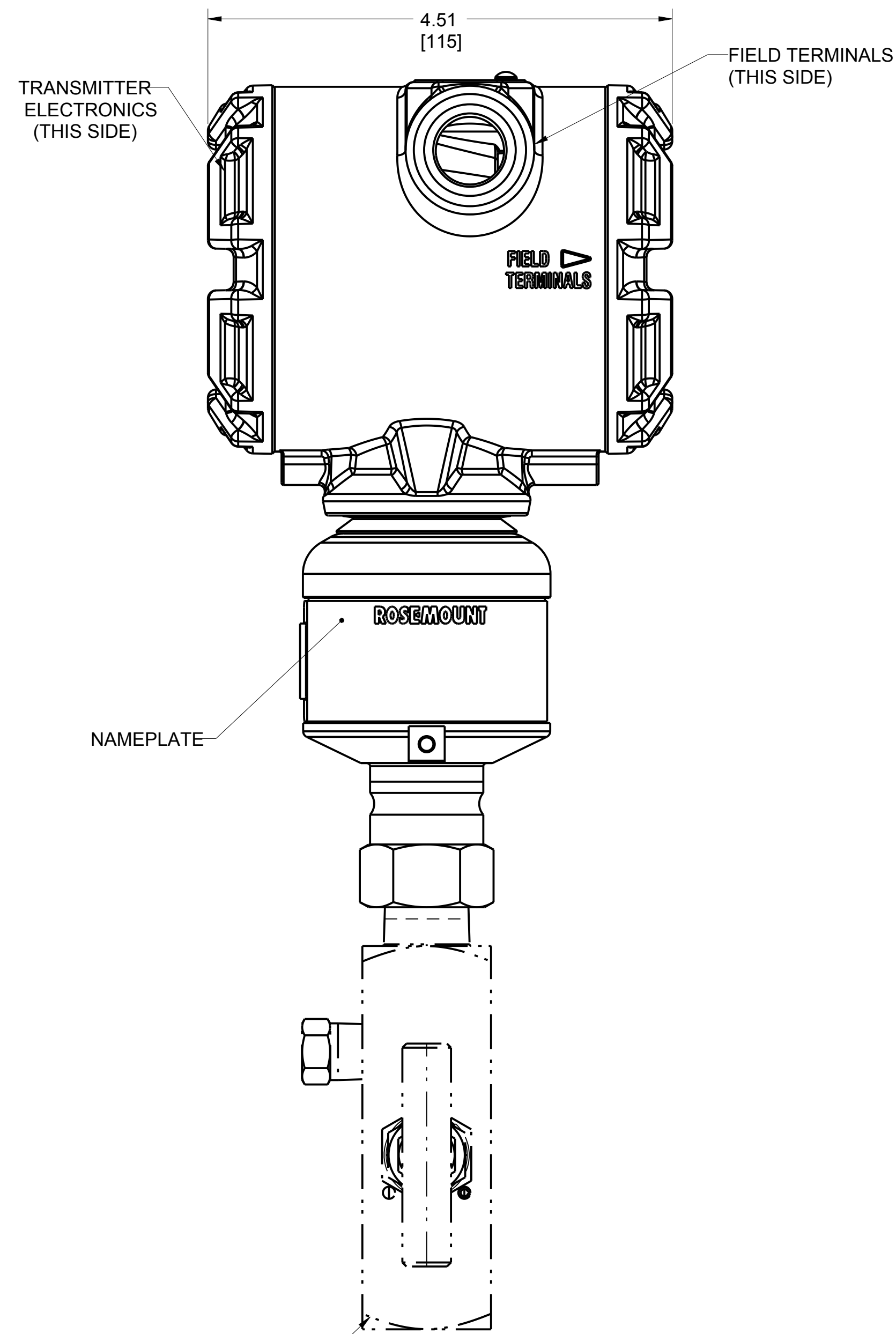
©2015 ROSEMOUNT INC. ROSEMOUNT INC. CERTIFIES THIS PRODUCT TO THE REQUIREMENTS OF THE STANDARD IN ACCORDANCE WITH ROSEMOUNT ENGINEERING SPECIFICATIONS. UNIT NOTES IN INCHES (mm). REFERENCE ROSEMOUNT PRODUCT SPECIFICATIONS. CLICK HERE	3RD ANGLE	SIZE D	SCALE NTS
	TITLE ROSEMOUNT 3051SAM ERS TYPE I DRAWING		
	DR. JLA 3/8/13	DRAWING NO.	03151-7001
APPD PF 3/8/13	CAD MAINTAINED, (PROE) SHEET 5 OF 8		

# ROSEMOUNT 3051SAM IN-LINE PRESSURE TRANSMITTER IN-LINE MANIFOLD

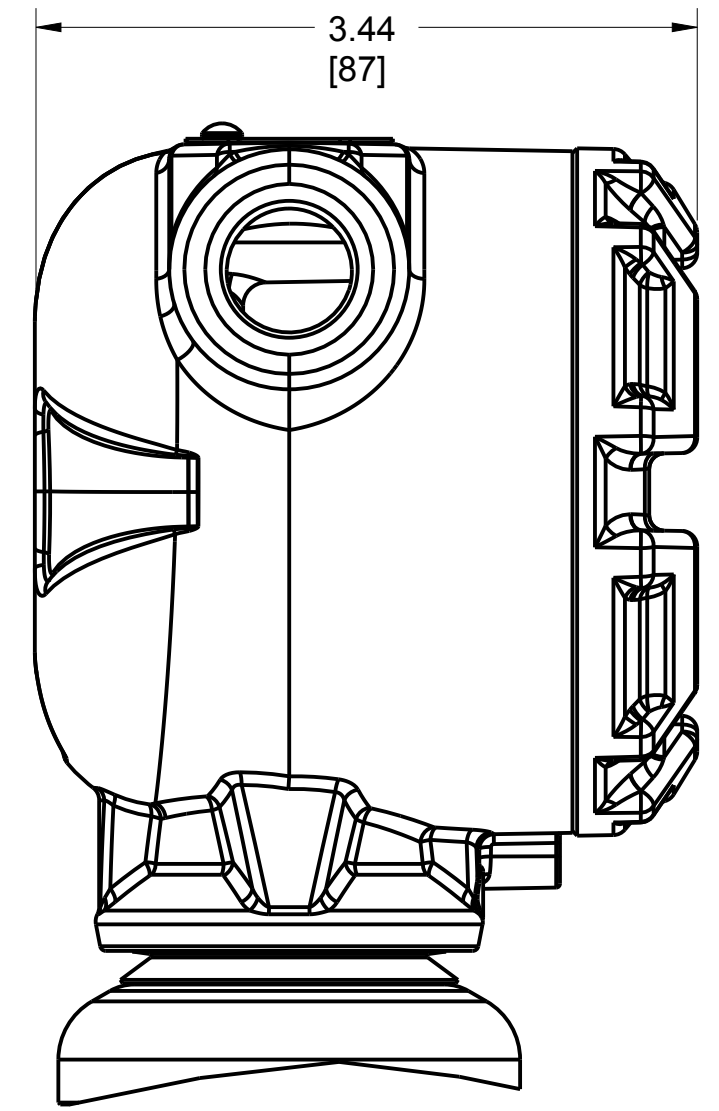
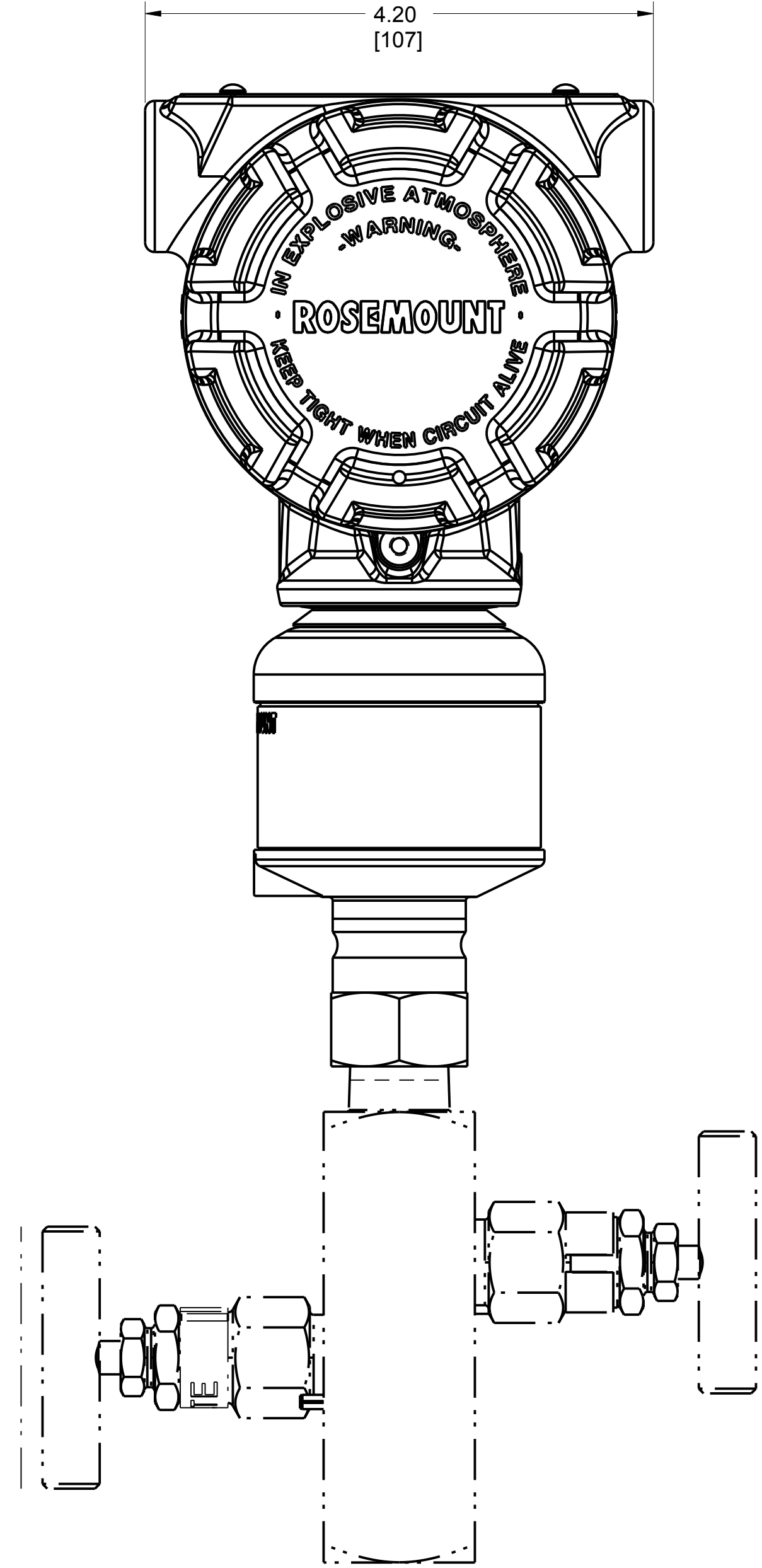
PLANTWEB HOUSING  
SHOWN WITH OPTIONAL DIGITAL DISPLAY  
(PRIMARY)



PLANTWEB HOUSING  
(PRIMARY)



JUNCTION BOX HOUSING  
(SECONDARY)  
INLINE OR COPLANAR TRANSMITTER



DIGITAL DISPLAY  
COVER

TRANSMITTER  
ELECTRONICS  
(THIS SIDE)

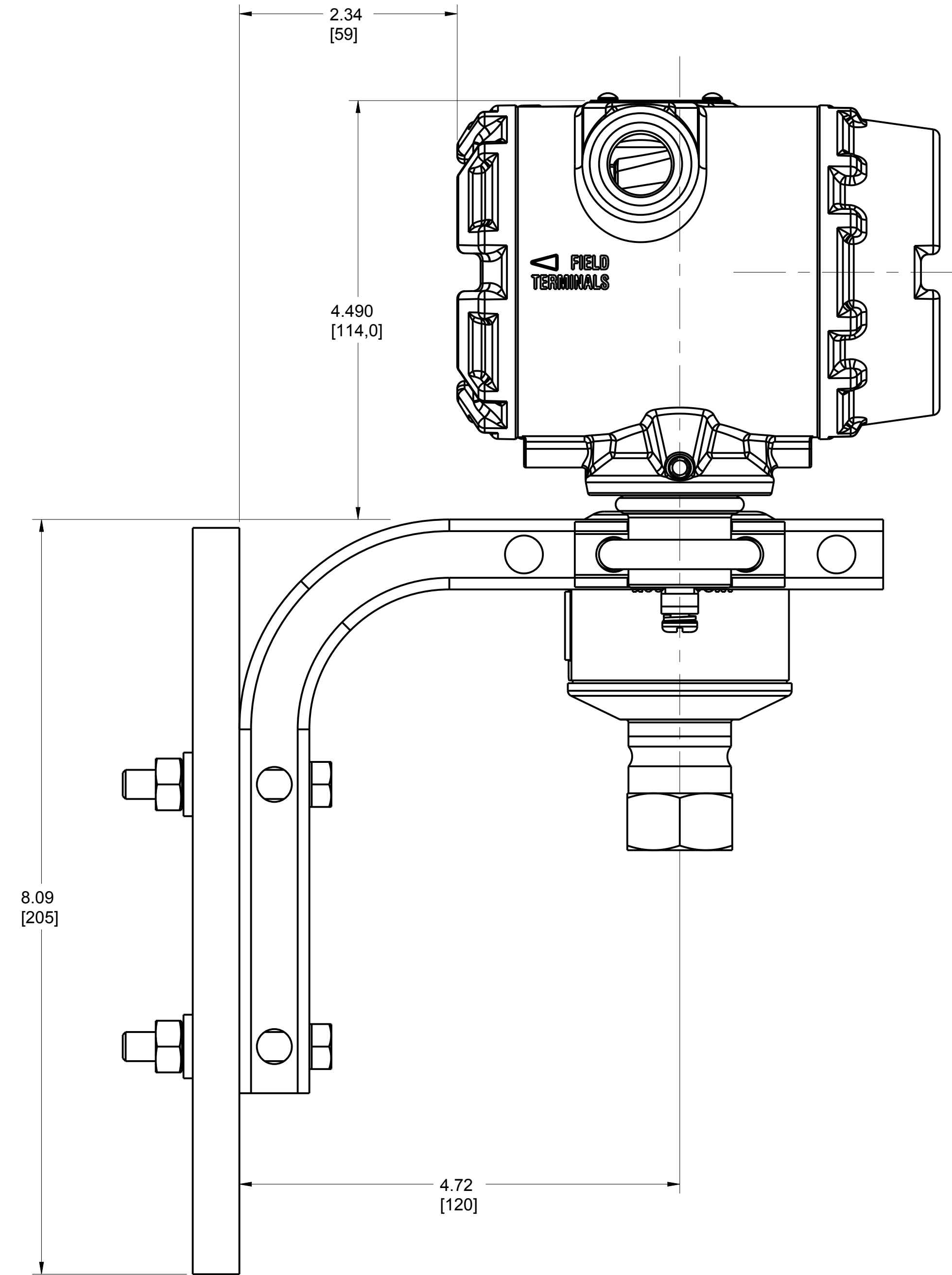
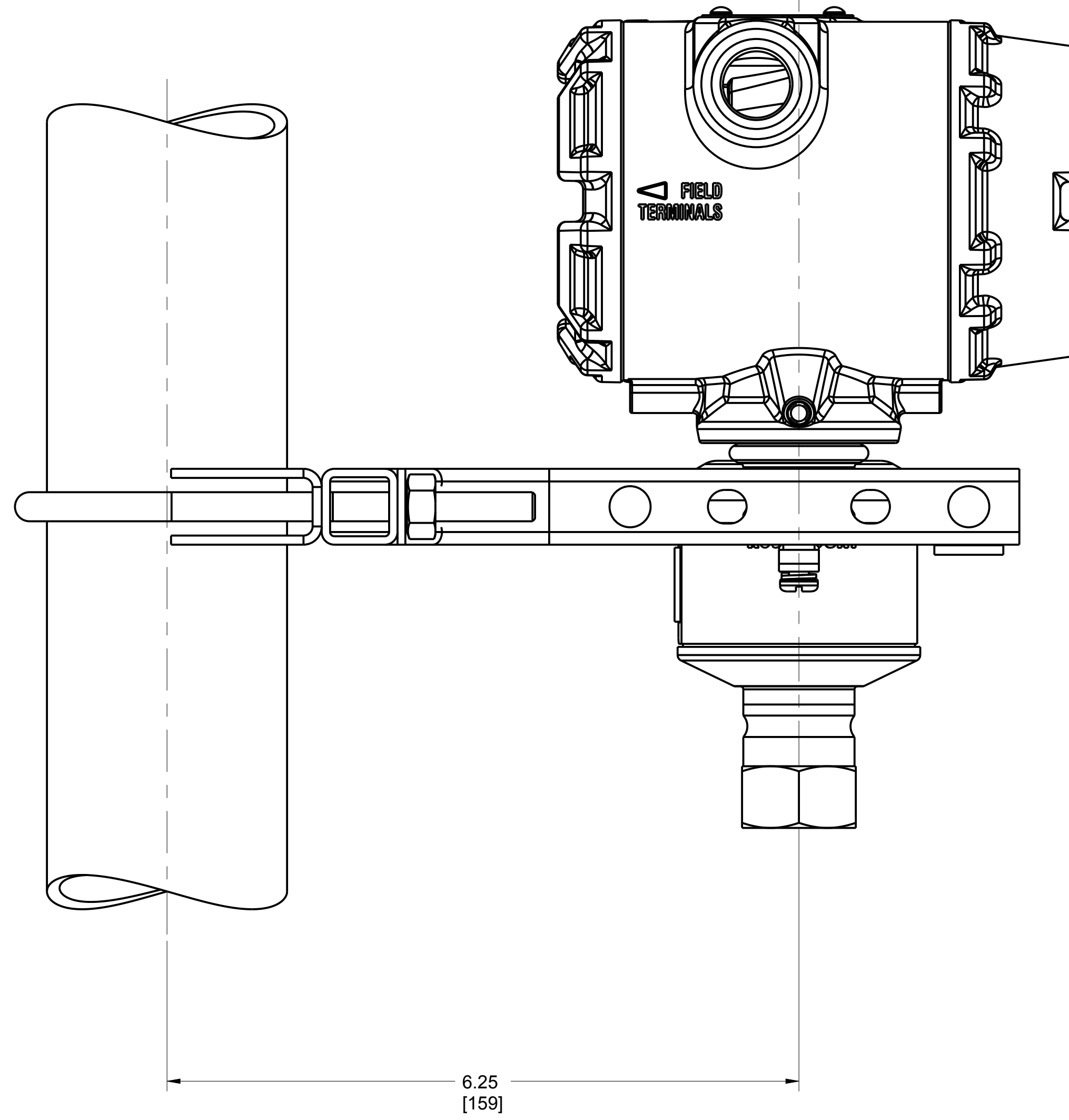
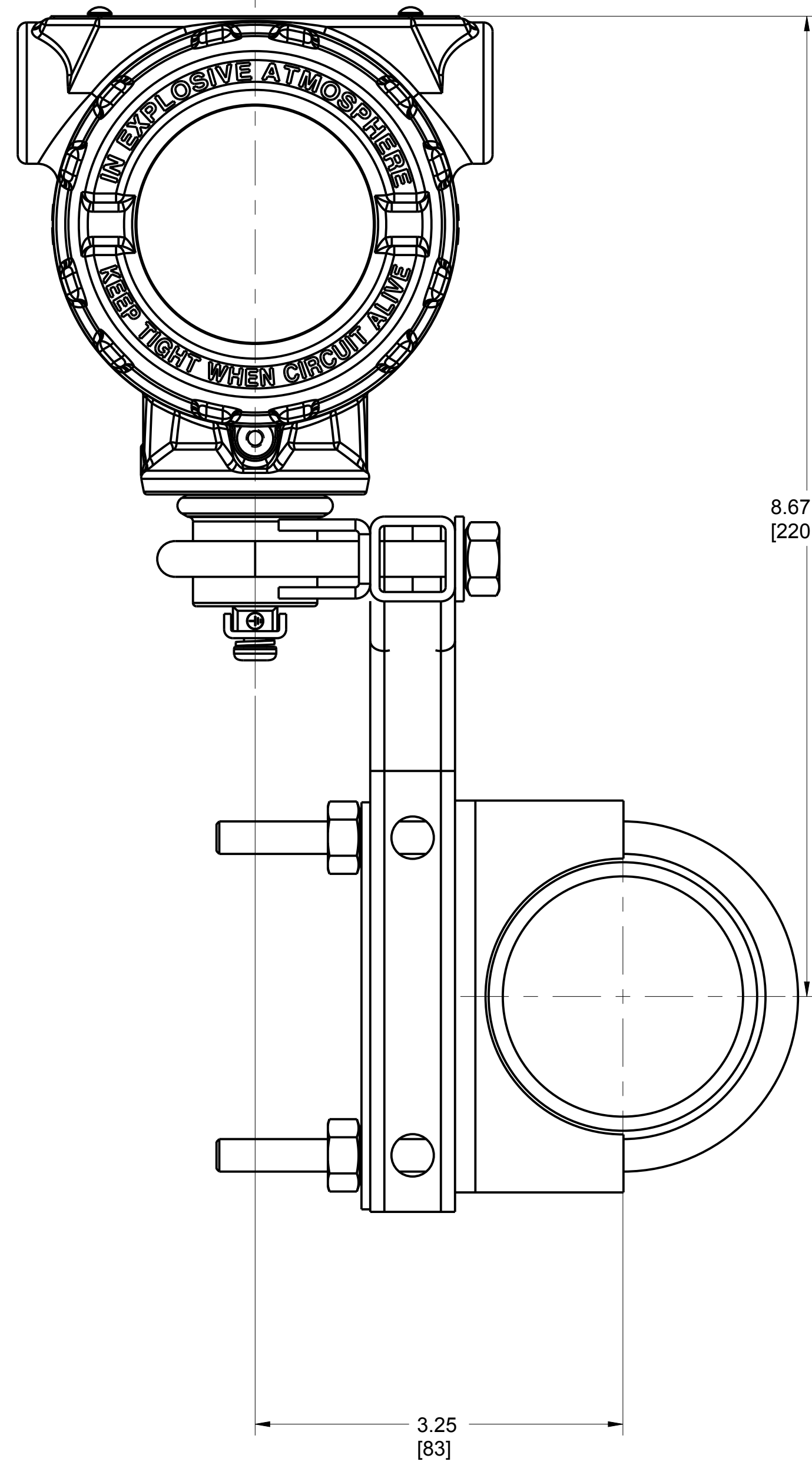
FIELD TERMINALS  
(THIS SIDE)

NAMEPLATE

AVAILABLE WITH 306 MANIFOLDS. SEE  
MANIFOLD TYPE 1 DRAWINGS FOR DIMENSIONS

©2015 ROSEMOUNT INC. ROSEMOUNT INC. CERTIFIES THIS PRODUCT TO THE REQUIREMENTS OF THE ATEX DIRECTIVE IN ACCORDANCE WITH ROSEMOUNT ENGINEERING SPECIFICATIONS. UNIT NOTES IN INCHES (mm). REFERENCE ROSEMOUNT PRODUCT SPECIFICATIONS. CLICK HERE	3RD ANGLE	SIZE D	SCALE NTS
	<b>EMERSON</b>		
	TITLE <b>ROSEMOUNT 3051SAM ERS TYPE I DRAWING</b>		
	DR. JLA 3/8/13	DRAWING NO.	<b>03151-7001</b>
APPD PF 3/8/13	SHEET 6 OF 8		
CAD MAINTAINED, (PROE)			

# REMOTE DISPLAY MOUNTING CONFIGURATION (PRIMARY)



©2015 ROSEMOUNT INC.  
ROSEMOUNT INC. CERTIFIES  
THIS DRAWING IS IN  
ACCORDANCE WITH  
ROSEMOUNT ENGINEERING  
SPECIFICATIONS.  
UNIT NOTES IN INCHES (mm).

EMERSON

TITLE ROSEMOUNT 3051SAM ERS  
TYPE I DRAWING

DR.	JLA	3/8/13	DRAWING NO.	
APPD	PF	3/8/13		03151-7001
CAD MAINTAINED, (PROE)				SHEET 7 OF 8

3RD ANGLE

SIZE D

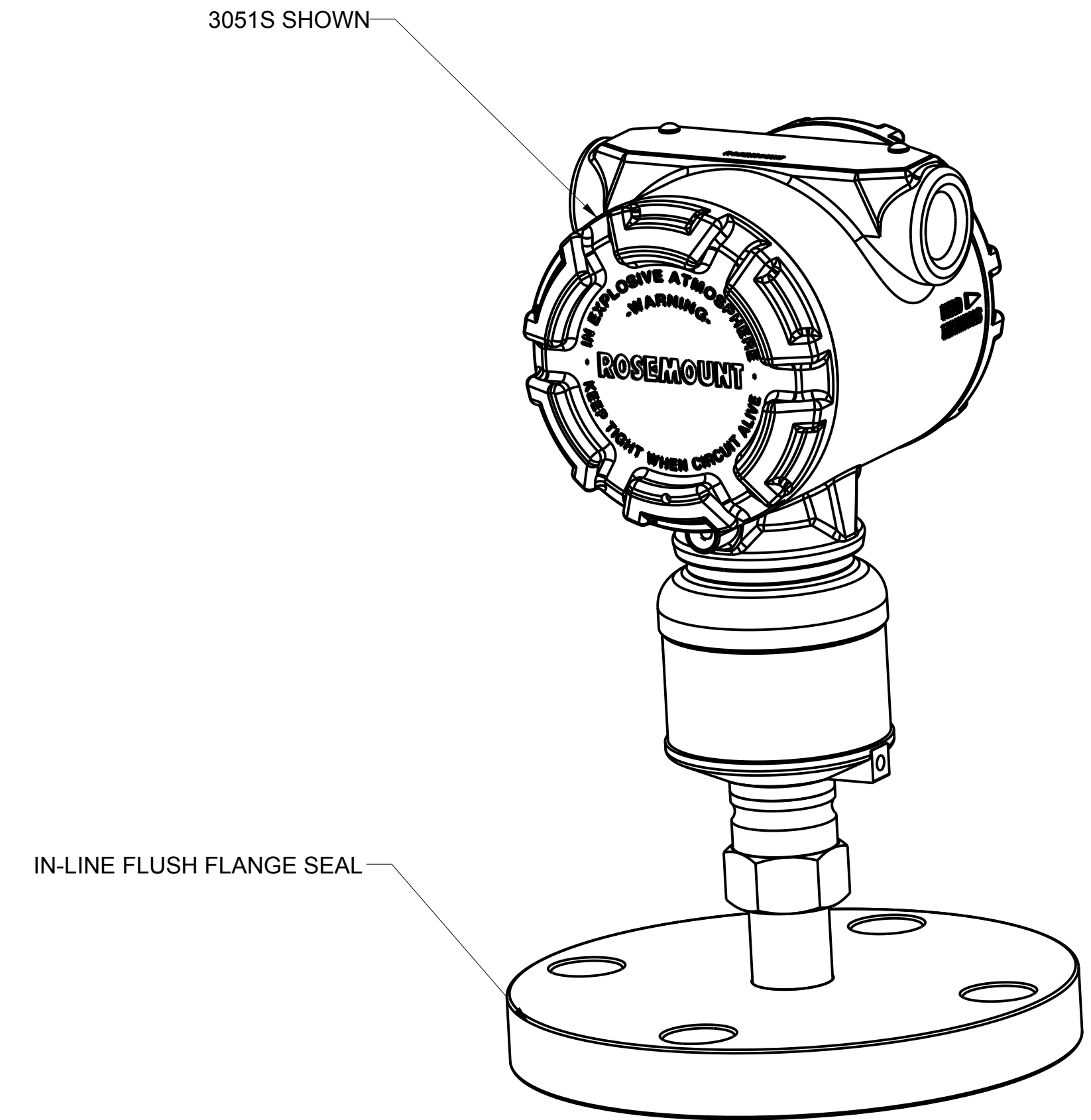
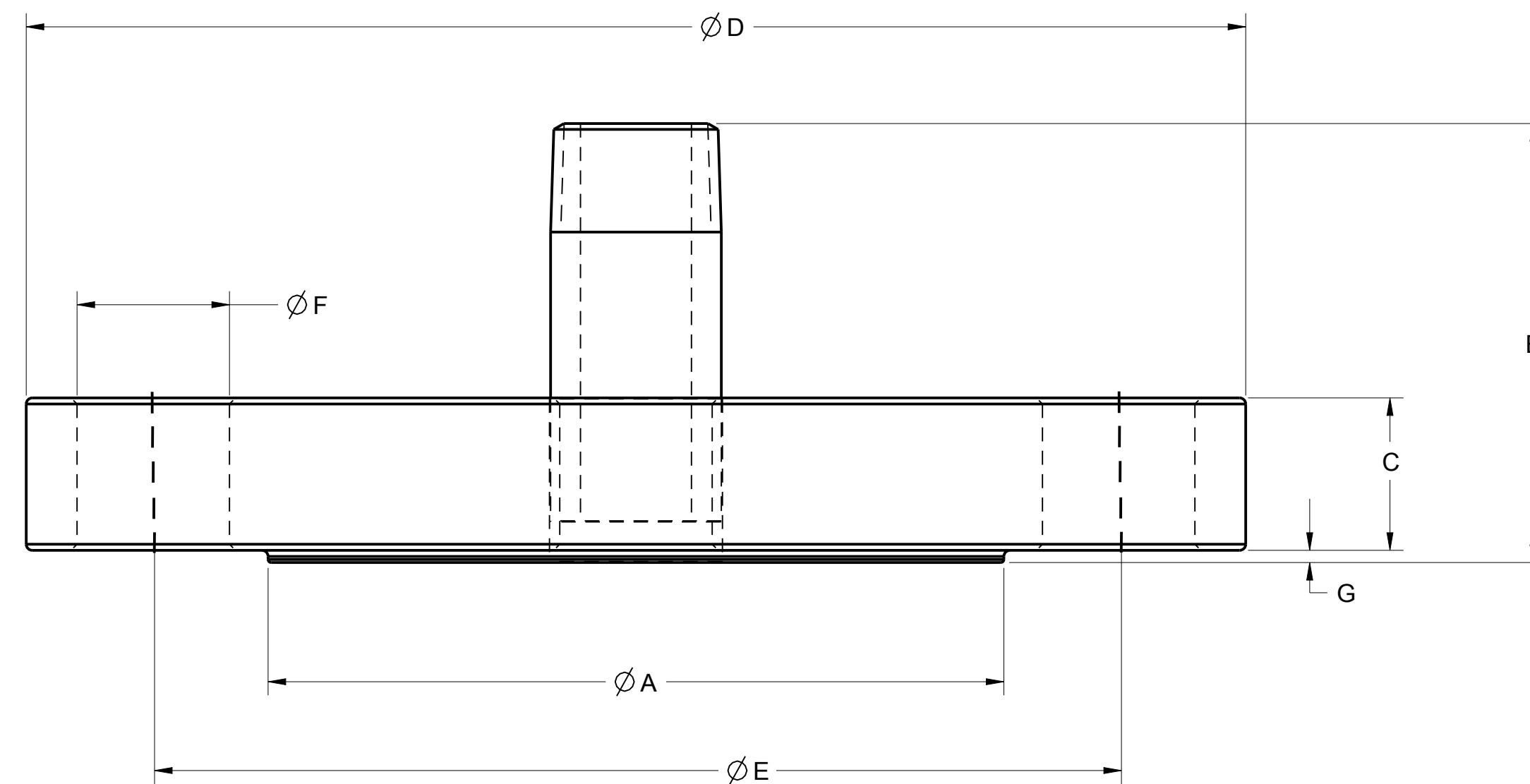
SCALE NTS

REFERENCE ROSEMOUNT  
PRODUCT SPECIFICATIONS.  
CLICK HERE

# FLANGED FLUSH IN-LINE LEVEL FLANGE

NOMINAL PIPE SIZE	CLASS	Ø "A"	"B"	"C"	Ø "D"	Ø "E"	Ø "F"	NO. OF BOLT HOLES	"G"
2" ANSI	150	3.62[91.9]	2.16[54.9]	0.69[17.5]	6.00[152.4]	4.75[120.7]	0.750[19.05]	4	0.06[1.5]
	300	3.62[91.9]	2.16[54.9]	0.81[20.6]	6.50[165.1]	5.00[127.0]	0.750[19.05]	8	0.06[1.5]
3" ANSI	150	5.00[127.0]	2.16[54.9]	0.88[22.4]	7.50[190.5]	6.00[152.4]	0.750[19.05]	4	0.06[1.5]
	300	5.00[127.0]	2.16[54.9]	1.06[26.9]	8.25[209.6]	6.62[168.1]	0.875[25.40]	8	0.06[1.5]
DN50	PN40	4.02[102]	2.16[54.9]	0.67[17.0]	6.50[165.1]	4.92[125.0]	0.71[18.0]	4	0.12[3.0]
DN80	PN40	5.43[138]	2.16[54.9]	0.82[20.8]	7.87[200.0]	6.30[160.0]	0.71[18.0]	8	0.12[3.0]

STANDARD INLINE FLUSH FLANGED  
(ANSI RAISED FACE/ EN1092-1 TYPE B2 PROCESS CONNECTION)



©2015 ROSEMOUNT INC. ROSEMOUNT INC. CERTIFIES THIS DRAWING TO THE REQUIREMENTS OF THE STANDARD IN ACCORDANCE WITH ROSEMOUNT ENGINEERING SPECIFICATIONS. UNIT NOTES IN INCHES (mm). REFERENCE ROSEMOUNT PRODUCT SPECIFICATIONS. CLICK HERE		3RD ANGLE	SIZE D	SCALE NTS	
	<b>TITLE</b> ROSEMOUNT 3051SAM ERS TYPE I DRAWING				
	DR. JLA	3/8/13	DRAWING NO.	03151-7001	
	APPD PF	3/8/13	CAD MAINTAINED, (PRO/E) SHEET 8 OF 8		