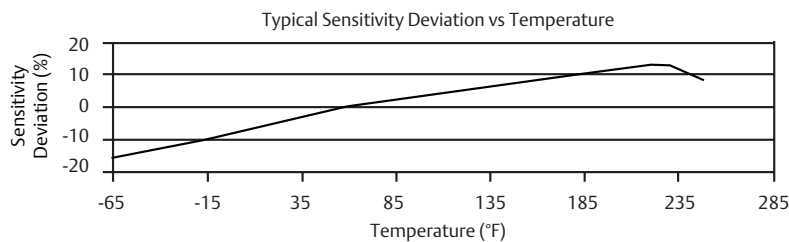
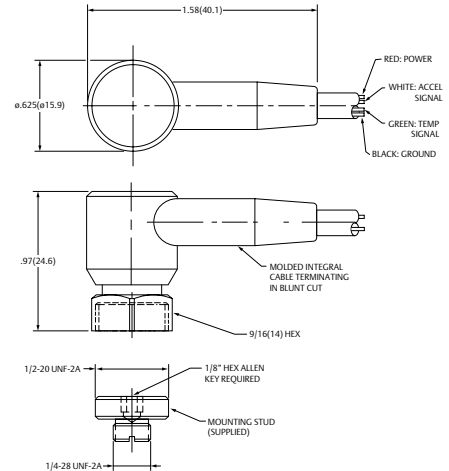


# Low Power Accelerometer with Temperature

Specially designed, high performance, low power accelerometer with temperature output for the AMS 9420 Wireless Vibration Transmitter enables up to five years operating life with a single SmartPower module.



Dynamic Performance	
Temperature Sensitivity	10 mV/°C with - 50°C Offset
Acceleration Sensitivity (±15%)	25 mV/g (2.5 mV/m/s <sup>2</sup> )
Measurement Range	±80 g (784 m/s <sup>2</sup> )
Frequency Range (±3 dB)	1.6 to 10,000 Hz (96 to 600,000 cpm)
Mounted Resonant Frequency	25 kHz Nominal
Broadband Resolution	3 mg rms (29 mm/s <sup>2</sup> ) (1 to 10 KHz)
Amplitude Linearity	±1% (0 Based Straight Line Method)
Transverse Sensitivity	≤7%
Environmental / Safety	
Shock Limit	5,000g pk (49,050 m/s <sup>2</sup> )
Temperature Range	-40 to 121°C (-40 to 250°F)
Sealing	Epoxy
Enclosure Rating	IP68 / Hazardous Location Approved
Agency Ratings (All Standard)	CE
	Exia IIC T4, AExia IIC T4
	Exia IIC T4, 40° ≤ Ta ≤ 121°C, II 1 G
	Cl 1 Div 1 (Groups A, B, C, D), CLII Div 1 (Groups E, F, G), CLIII Div 1
	Cl 1 Div 2 (Groups A, B, C, D), ExnL IIC T4, AExnA IIC T4
	Ex nL IIC T4, 40° ≤ Ta ≤ 121°C, II 3 G



<b>Electrical</b>	
Settling Time	≤2 sec (Within 1% of Bias)
Discharge Time Constant	≥0.1 sec
Excitation Voltage / Output Bias	5 VDC / 2.3 to 2.7 VDC
Output Impedance	<100 ohms
Case Isolation	>10 <sup>8</sup> ohms
<b>Mechanical</b>	
Weight	23 grams (0.81 oz) Sensor Only
Mounting Stud / Torque	¼-28 NPT / 2.7 to 6.8 Nm (2 to 5 lb ft)
Mounting Hex / Torque	9/16" Flats / 9.5 to 10.8 Nm (7 to 8 lb ft)
Sensor Element / Geometry	Ceramic / Shear
Case Material	Stainless Steel
Connector Type (Side)	Molded Integral Cable/4 Wire/Tinned Leads
<b>Supplied Accessories</b>	
Single Point Calibration at 100 Hz	
Mounting Stud	
<b>Versions</b>	
1. A0394DI-1	Green Jacket, 9 meter Cable
2. A0394DI-4	Green Jacket, 30 meter Cable
3. A0394DA	Armored, Green Jacket, 3 meter Cable
4. A0394DA-1	Armored, Green Jacket, 9 meter Cable
5. A0394DA-4	Armored 23 meter, Green Jacket, 30 meter Cable
6. A0394DAC	Armored, Teflon Coated, 3 meter Cable
7. A0394DAC-1	Armored, Teflon Coated, 9 meter Cable
8. A0394DAC-4	Armored 23 meter, Teflon Coated, 30 meter Cable

**Emerson**  
**Reliability Solutions**  
835 Innovation Drive  
Knoxville, TN 37932 USA  
☎ +1 865 675 2400  
🌐 [www.emerson.com/ams](http://www.emerson.com/ams)

©2017, Emerson. All rights reserved.

The Emerson logo is a trademark and service mark of Emerson Electric Co. All other marks are the property of their respective owners.

The contents of this publication are presented for informational purposes only, and while every effort has been made to ensure their accuracy, they are not to be construed as warranties or guarantees, express or implied, regarding the products or services described herein or their use or applicability. All sales are governed by our terms and conditions, which are available on request. We reserve the right to modify or improve the designs or specifications of our products at any time without notice.

